

Gas Thin Twin Washer•Dryer - 120 Volt Installation Instructions

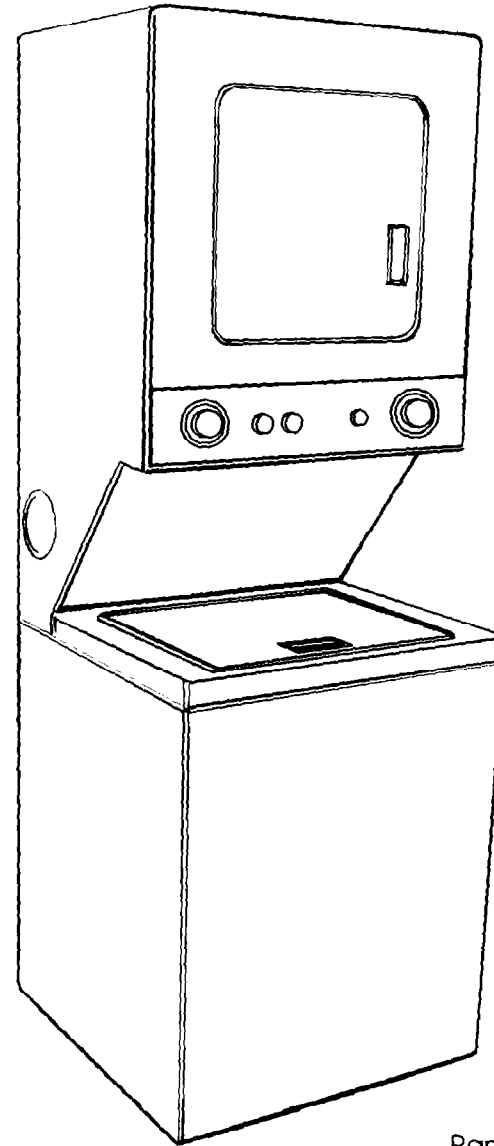
**IMPORTANT:
Read and save
these instructions.**

IMPORTANT:

Installer: Leave Installation Instructions with the homeowner.

Homeowner: Keep Installation Instructions for future reference.

Save Installation Instructions for local electrical inspector's use.



Part No. 3403152

1/95

Gas Thin Twin

Before you start...

Check location where washer/dryer will be installed. Proper installation is your responsibility. The washer/dryer must not be installed or stored in an area where it will be exposed to water and/or weather. Make sure you have everything necessary for correct installation.

Important: Observe all governing codes and ordinances.

Check code requirements: Some codes limit or do not permit installation of clothes dryers in garages, closets, mobile homes and sleeping quarters. (Contact your local building inspector.)

Hot and cold water faucets: Must be within 4 feet of the back of the washer/dryer and provide water pressure of 5-100 PSI.

CAUTION

Product Damage

Do Not store or operate washer/dryer below 32°F (some water may remain in washer). Proper operation of dryer cycles requires temperatures above 45°F. See Use & Care Guide for "Winterizing" information.
Failure to do so may result in damage from freezing.

Water heater: Set to deliver 140°F water to the washer.

Laundry tub drain system: Needs a 20-gallon laundry tub. Top of tub must be at least 28 inches high and no higher than 48 inches from floor.

If a longer drain hose is needed, drain hose (Part No. 388423) and hose connection kit (Part No. 285442) are available from your authorized parts distributor.

Location: Should be large enough to fully open dryer door to 90°. (See Panel G for "Recessed and closet installation instructions" and "Product dimensions.")

1/8-inch NPT plugged tapping is required. (See Panel B, Step L.)

This appliance must be attached to a wall. The cable bracket must be secured to a wall stud or concrete wall within a 24-inch-wide area that is 28 inches minimum to 41 inches maximum from floor. (See Panel F.)

Check utilities: Proper gas, water and electric supply connections **must** be available.

Grounded electrical outlet is required. See "Electrical requirements," Panel B.

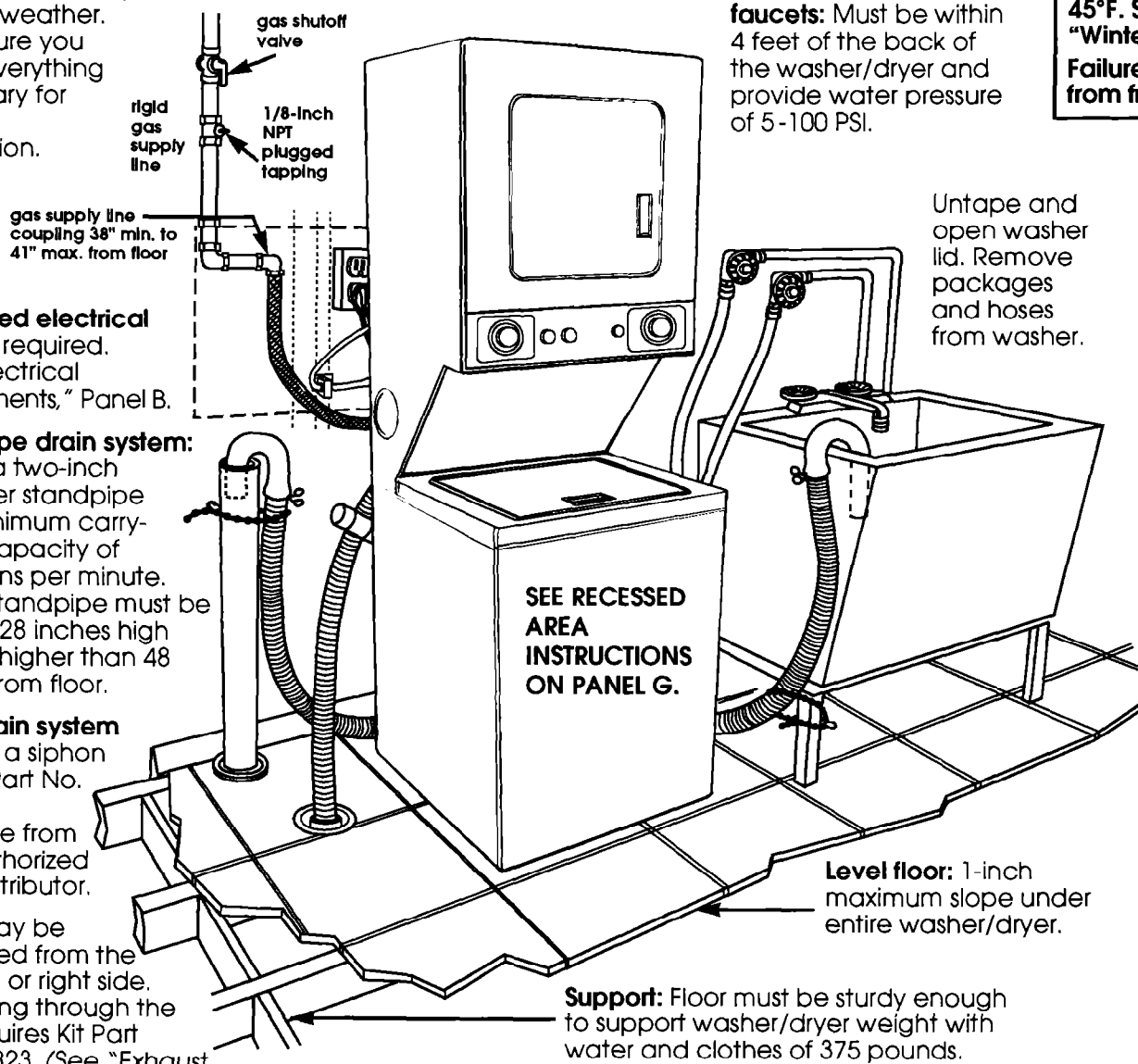
Standpipe drain system:

Needs a two-inch diameter standpipe with minimum carry-away capacity of 17 gallons per minute. Top of standpipe must be at least 28 inches high and no higher than 48 inches from floor.

Floor drain system

requires a siphon break, Part No. 285320, available from your authorized parts distributor.

Dryer may be exhausted from the rear, left or right side. Exhausting through the side requires Kit Part No. 279823. (See "Exhaust requirements," Panels B and C.)



Four-inch metal exhaust duct is required.

WARNING

Fire Hazard

For your safety, the information in this manual must be followed to minimize the risk of fire or explosion or to prevent property damage, personal injury or loss of life.

- Do Not store or use gasoline or other flammable vapors and liquids in the vicinity of this or any other appliance.
- **WHAT TO DO IF YOU SMELL GAS.**
 - Do Not try to light any appliance.
 - Do Not touch any electrical switch; Do Not use any phone in your building.
 - Clear the room, building or area of all occupants.
 - Immediately call your gas supplier from a neighbor's telephone. Follow the gas supplier's instructions.
 - If you cannot reach your gas supplier, call the fire department.
- Never install washer/dryer up against draperies or curtains or on carpet.
- Keep any and all items from falling or collecting behind the washer/dryer.

Installation and service must be performed by a qualified installer, service agency or the gas supplier. If you install the washer/dryer in a garage, carport or areas near vehicles where fumes from gasoline or other flammable materials may be present, the vapors may be heavier than air and remain near the floor. Place washer/dryer a minimum of 18 inches above floor. Check with your building inspector regarding requirements for this installation. Failure to follow these instructions could result in fire or explosion.

Tools and materials needed for installation:



Gas supply requirements

OBSERVE ALL GOVERNING CODES AND ORDINANCES

WARNING

Fire Hazard

- Dryer must be connected to a regulated gas supply. Failure to do so could cause high pressure gas release, resulting in fire or explosion.
- Have L.P. gas checked by a qualified person before installing the dryer. The L.P. gas supply must not exceed a pressure of 13-inch water column.
- Flexible gas connector and adapter supplied must be used. Reusing old flexible connector might result in possible leaks or fire hazard.
- Do Not remove the flexible gas connector from the dryer. Modifying the washer/dryer may result in fire or explosion.

Failure to follow these instructions may result in fire or explosion.

A. This installation must conform with American National Standard, National Fuel Gas Code ANSI Z223.1 — latest edition, and all local codes and ordinances.

B. The design of this dryer has been certified by the American Gas Association for use at altitudes up to 10,000 feet above sea level at the B.T.U. rating indicated on the model/serial plate. Burner input adjustments are not required when the dryer is operated up to this elevation.

When installed above 10,000 feet, a four percent (4%) reduction of the burner B.T.U. rating shown on the model/serial plate is required for each 1,000 foot increase in elevation. For assistance when converting to other gas types and/or installing above 10,000 feet elevation, contact your local service company.

C.

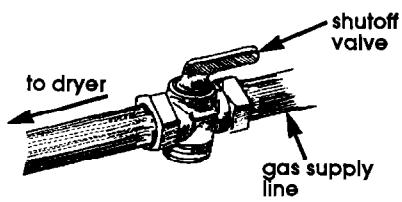
Check that this dryer is equipped with the



correct burner for the particular type of gas in the home. Burner information will be found on the serial/rating plate in the door well of the appliance. If this information does not agree with the type of gas available, see your dealer.

D. This dryer is equipped for use with **NATURAL GAS**. It is designed-certified by American Gas Association for L.P. (propane or butane) gases with appropriate conversion. No attempt shall be made to convert the appliance from the gas specified on the serial/rating plate for use with a different gas without consulting the servicing gas supplier or your authorized service company. **Conversion must be done by a qualified service technician. Gas conversion kit part numbers are listed on the gas valve burner bracket behind the access panel. (See Panel E.)**

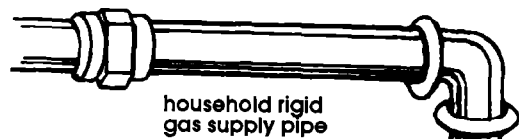
E. Provide a **rigid gas supply line** to the dryer location. When rigid pipe is used, it should be 1/2-inch IPS. When acceptable to the gas supplier and local codes, 3/8-inch approved tubing may be used for lengths under 20 feet. For lengths over 20 feet, larger tubing should be used. Pipe-joint compounds resistant to the action of L.P. gas must be used.



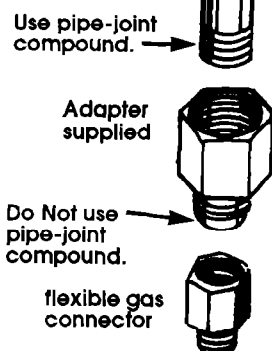
F. The supply line shall be equipped with a shutoff valve. This valve should be located in the same room as the washer/dryer and should be in a location that allows ease of opening and closing. Do Not block access to the shutoff valve.

G. If the washer/dryer is installed in a confined area such as a bedroom, bathroom or closet, it must be exhausted to the outside and provision made for enough combustion and ventilation air. (Check governing codes and ordinances. Also refer to "Recessed and closet installations," Panel G.)

H. This washer/dryer is equipped with its own permanent, flexible gas connector, design-certified by the American Gas Association, for connecting the appliance to the gas supply line.



I. If rigid pipe is used as a gas supply line, a combination of pipe fittings must be used to obtain an in-line connection to the washer/dryer.



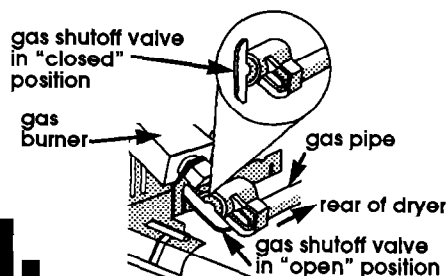
J. Make sure the back and sides of the cabinet are free of obstructions to permit adequate clearance of air openings for combustion air. (See "Recessed and closet installation instructions," Panel G, for minimum spacing requirements.)

K. For ease of installation, operating and servicing (if ever needed), adequate space should be provided around the washer/dryer.

L. An 1/8-inch NPT plugged tapping, accessible for test gauge connection, must be installed immediately upstream of the gas supply connector to the dryer.

The dryer and its individual shutoff valve must be disconnected from the gas supply piping system during any pressure testing of that system at test pressures in excess of 1/2 psig (3.45 kPa).

The dryer must be isolated from the gas supply piping system by closing its individual manual shutoff valve during any pressure testing of the gas supply piping system at test pressures equal to or less than 1/2 psig (3.45 kPa).



M. The dryer shutoff valve is located behind the access panel. If necessary for service, remove the three Phillips-head screws and bumper located at top of the panel. Tilt panel down and pull straight out to remove. Replace the access panel after servicing. Do Not operate washer/dryer with access panel open.

See Step 18, Panel D, for further details.

Panel B

Electrical requirements

! WARNING

Electrical Shock Hazard

- **Electrical ground is required on this appliance.**
- **Do Not ground to a gas pipe.**
- **Do Not modify the power supply cord plug. If it will not fit the outlet, have a proper outlet installed by a qualified electrician.**
- **Do Not have a fuse in the neutral or grounding circuit. A fuse in the neutral or grounding circuit could result in an electrical shock.**
- **Do Not use an extension cord with this appliance.**
- **Check with a qualified electrician as to whether the appliance is properly grounded.**

Failure to follow these instructions could result in serious injury or death.

If codes permit and a separate grounding wire is used, it is recommended that a qualified electrician determine that the grounding path is adequate.

A three-wire, single-phase, 120-volt, 60-Hz, AC-only, 15- or 20-ampere, fused, electrical supply is required. A time-delay fuse or circuit breaker is recommended. If your home has a circuit wired and fused for 20 amperes, this is preferred. If you are installing a new circuit, one wired and fused for 20 amperes is recommended. It is also recommended that a separate circuit serving only this appliance be provided.

Recommended grounding method

For your personal safety, this appliance must be grounded. This washer/dryer is equipped with a power supply cord having a 3-prong grounding plug. To minimize possible shock hazard, the cord must be plugged into a mating, 3-prong, grounding-type, wall receptacle, grounded in accordance with the National Electrical Code, ANSI/NFPA 70 — latest edition, and all local codes and ordinances. (See Figure 1.) If a mating wall receptacle is not available, it is the personal responsibility and obligation of the customer to have a properly grounded, 3-prong wall receptacle installed by a qualified electrician.

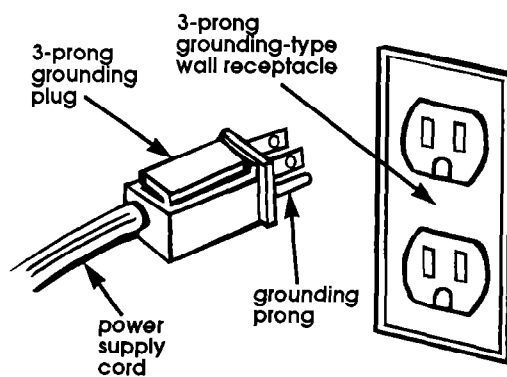


Figure 1

Exhaust requirements

! WARNING

Fire/Health Hazard

- **Do Not use non-metal, flexible duct.**
- **Do Not use metal duct smaller than four inches in diameter.**
- **Do Not use exhaust hoods with magnetic latches.**
- **Check that exhaust system is not longer than specified. Exhaust systems longer than specified will:**
 - Accumulate lint.
 - Shorten the life of the dryer.
 - Reduce performance, resulting in longer drying times and increased energy usage.

Failure to follow specifications may result in a fire.

- **Do Not exhaust dryer into a chimney, furnace cold air duct, attic or crawl space.**
- **Clean the exhaust system every other year.**
- **Do Not install flexible duct in enclosed walls, ceilings or floors.**

Accumulated lint could be fuel for a fire or cause moisture damage.

Exhaust the dryer outside to prevent exposure to substances in the gas fuels and combustion which may be harmful to your health.

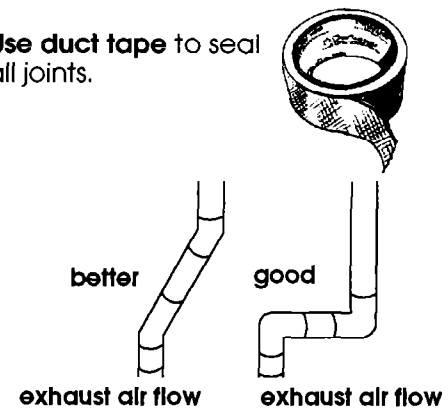
The moisture and lint indoors may cause:

- Lint to gather inside and around the dryer and be a fuel for fire.
- Moisture damage to woodwork, furniture, paint, wallpaper, carpet, etc.
- Housecleaning problems and possible health problems.

Failure to follow these instructions could result in fire damage, property damage, personal injury or health problems.

If using existing exhaust system, clean lint from entire length of exhaust system. Make sure exhaust hood is not plugged with lint. Replace plastic exhaust duct with rigid metal or flexible metal duct.

Use duct tape to seal all joints.



Four-inch rigid metal pipe is preferred. Plan installation to use the fewest number of elbows and turns.

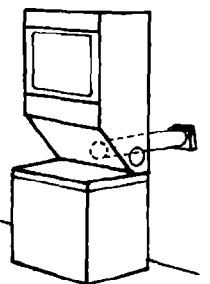
Metal flexible duct should be fully extended and supported when the dryer is in its final position. DO NOT KINK OR CRUSH THE DUCT. The metal flexible duct must be completely open to allow adequate exhaust air to flow.

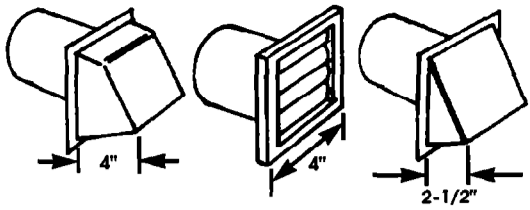
Allow as much room as possible when using elbows or making turns. Bend duct gradually to avoid kinking. Remove excess flexible duct to avoid sagging and kinking that may result in reduced air flow.

The exhaust duct can be routed up, down, left, right or straight out of the back of the dryer. See Panel G for space requirements or on rear panel of the washer/dryer.

Use the straightest path you can, where possible, to avoid 90° turns.

Maximum length of the exhaust system depends upon the type of duct used, number of elbows and the type of exhaust hood. The maximum length for both rigid and flexible duct is shown in the chart.





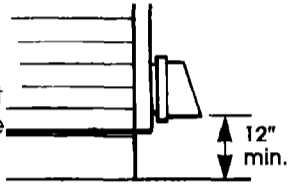
Number of 90° Turns	Exhaust hood type			
	A	B	C	
0	43 FT.	41 FT.	36 FT.	MAXIMUM LENGTH OF 4" DIA. RIGID METAL DUCT
1	33 FT.	31 FT.	26 FT.	
2	23 FT.	21 FT.	16 FT.	
0	30 FT.	29 FT.	24 FT.	MAXIMUM LENGTH OF 4" DIA. FLEXIBLE METAL DUCT
1	24 FT.	23 FT.	18 FT.	
2	16 FT.	15 FT.	10 FT.	

The maximum length using a 2" x 6" rectangular duct with 2 elbows and a 2-1/2" (TYPE C) exhaust hood is 8 ft.

For exhaust systems not covered by the exhaust length chart, see Service Manual, Part No. 603197, available from your authorized parts distributor.

Service check: The back pressure in any exhaust system used must not exceed 0.3 inches of water column measured with an incline manometer at the point that the exhaust duct connects to the dryer.

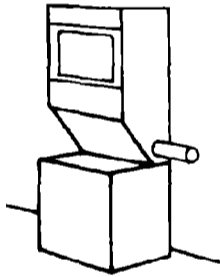
An **exhaust hood** should cap the exhaust duct to prevent exhausted air from returning into dryer. The outlet of the hood must be at least 12 inches from the ground or any object that may be in the path of the exhaust.



4-inch outlet hood is preferred.

However, a 2-1/2 inch outlet may be used with short systems only. A 2-1/2 inch outlet can result in longer drying times than other hood types. For permanent installation, a stationary exhaust system is required.

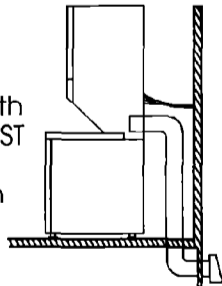
Exhausting the dryer through the side of the washer/dryer requires the use of Side Exhaust Kit, Part No. 279823, available from your authorized parts distributor. Follow kit installation instructions for proper exhaust installation.



Mobile home installation

This appliance is suitable for mobile home installations. The installation of the washer/dryer must conform to the **Manufactured Home Construction and Safety, Title 24 CFR, Part 3280 (formerly the Federal Standard for Mobile Homes Construction and Safety, Title 24, HUD Part 280, latest edition).**

For all installations, this appliance **MUST** be fastened to the wall with cable bracket and **MUST** be exhausted to the outside. Exhaust system hardware is available through your Whirlpool dealer.

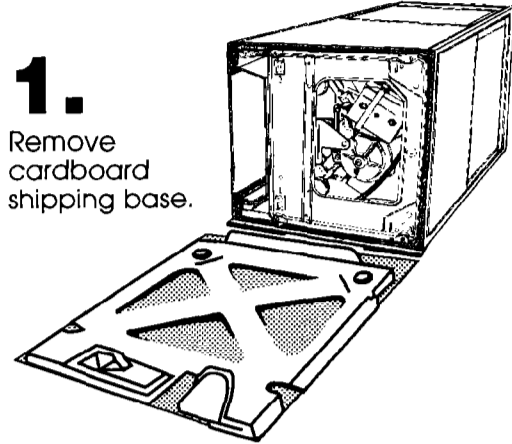


Mobile home exhaust requirements: The washer/dryer must have an outside exhaust. If the dryer is exhausted through the floor and the area under the mobile home is enclosed, the exhaust system **must** terminate outside the enclosed area. Extension beyond the enclosure will prevent lint and moisture buildup under the mobile home.

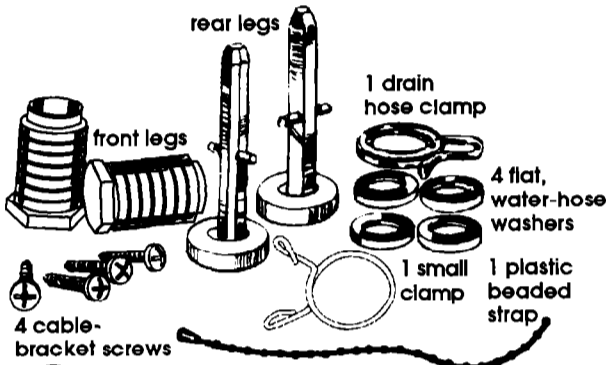
Now start...
With washer/dryer in laundry area.

! WARNING
Personal Injury Hazard
More than one person is required to lift, tilt or move the washer/dryer because of its weight and size. Failure to follow this instruction may result in personal injury.

Truck only from rear to prevent product damage.



1. Remove cardboard shipping base.



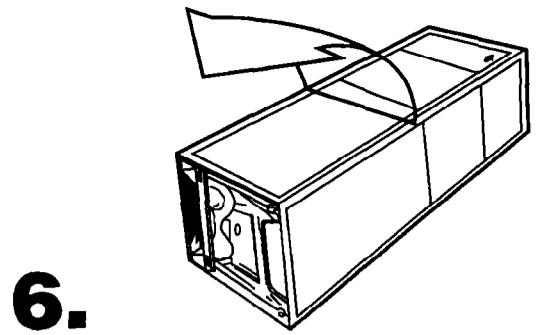
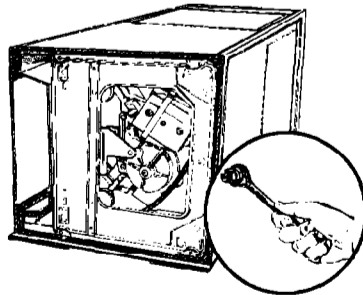
2. Remove parts from package. Check that all parts were included.

3. Insert a rear leveling leg into the hole in the rear corner. Push the leg in until it snaps into place. Do the same thing with the other leveling leg in the other rear corner.

4. Push up on one leg. Check to see if the other leg goes down. Check the other leg in the same way. (If the legs do not adjust, repeat Step 3.)

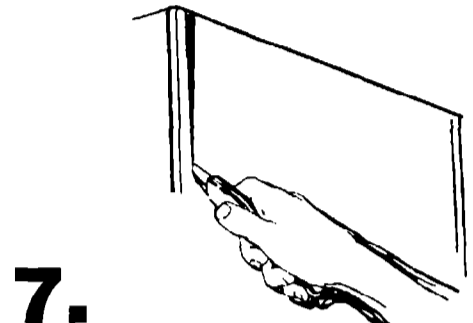
5. With one of the legs in hand, check the ridges for a diamond marking. That's how far the leg is supposed to go into the hole. Start to screw the legs into the holes by hand.

Use a wrench or 1" socket wrench to finish turning the legs until you reach the diamond mark.

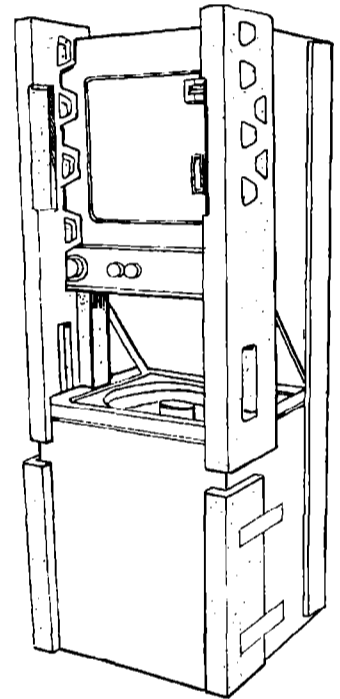


6. Stand the washer/dryer upright.

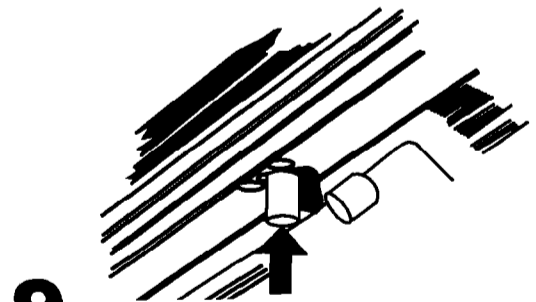
! CAUTION
Product Damage
Do Not remove corner post before cutting. Failure to follow this instruction may result in product damage.



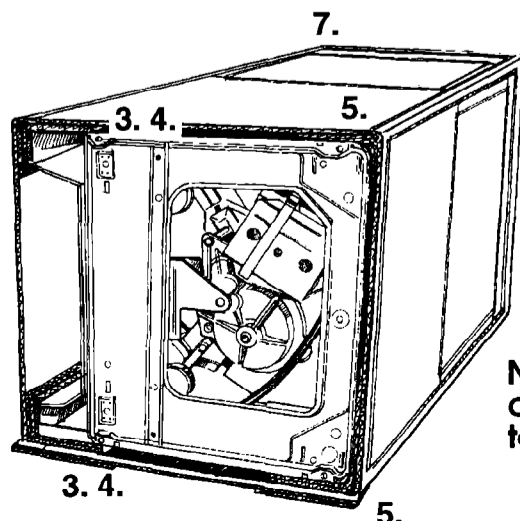
7. Cut carton down one corner. Remove carton.



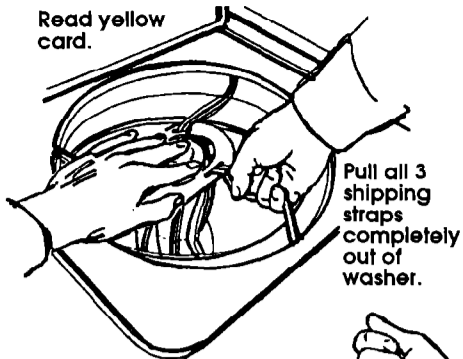
8. Remove the 2 rear corner posts from the back of the washer/dryer. Remove the two corner pieces attached to lower front of the washer/dryer. **Do Not** remove the foam shipping pieces between the washer and dryer until the unit is in place.



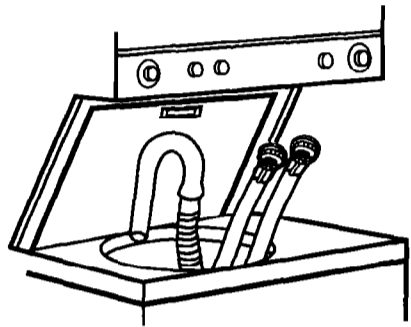
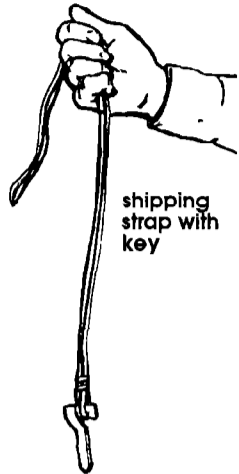
9. Move foam shipping pieces outward just enough to clear the washer lid. Open washer lid. Latch under the dryer will hold lid open.



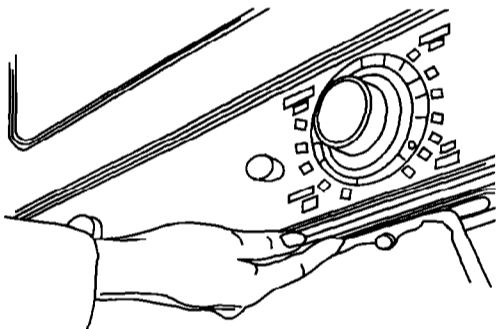
Numbers correspond to steps.



10. Read yellow card. Place hand on the top of the agitator when removing the shipping straps. Firmly jerk then pull each of the three (3) shipping straps completely out of the washer. Put straps in the same area as other shipping pieces.

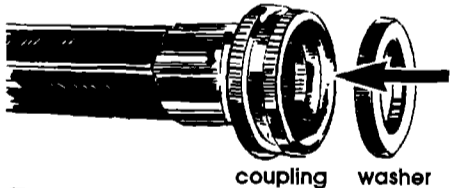


11. Remove yellow card. Take hoses out of basket. Place hoses with other parts.

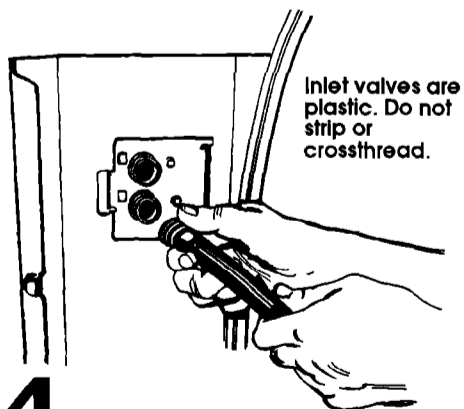


12. Release washer lid by pushing up on latch. Close lid.

Use new hoses and washers that came with your washer/dryer.



13. Insert a flat washer into each end of the inlet hoses. Check that washers are firmly seated in couplings.

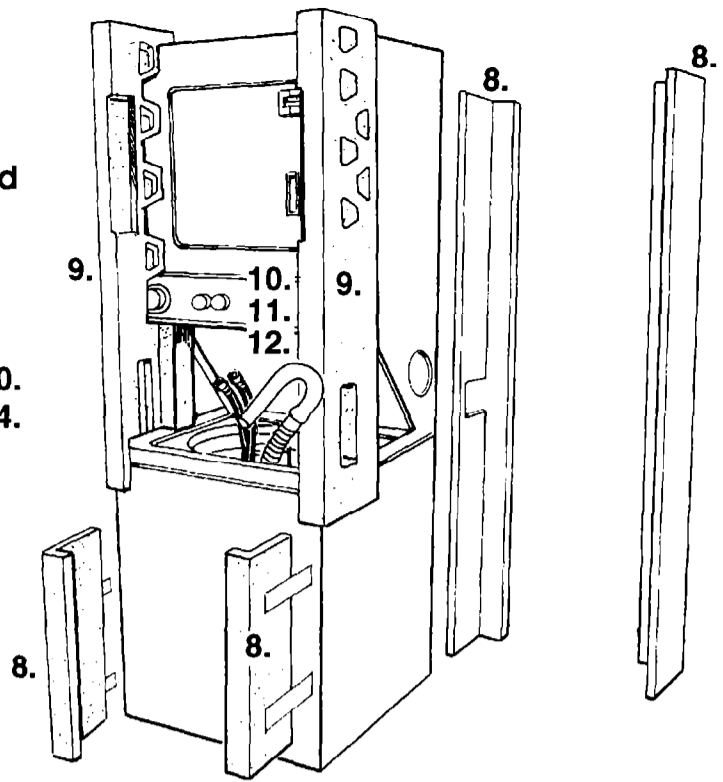
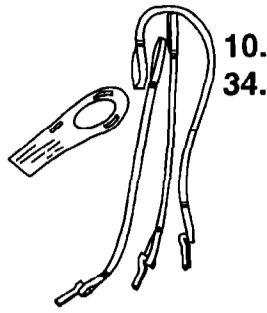


14.

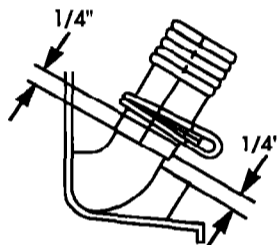
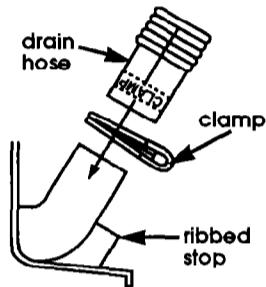
Attach hose to bottom inlet valve opening first; then second hose to top inlet valve. Tighten couplings by hand. Then use pliers to make an addition two-thirds turn.

15. Remove plug from drain connector.

Numbers correspond to steps.



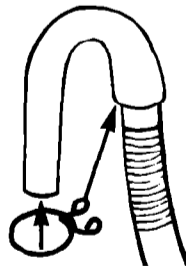
IMPORTANT: THIS PROCEDURE MUST BE FOLLOWED TO ASSURE PROPER INSTALLATION.



16. To prevent the drain hose from coming off or leaking, it must be installed per the following instructions.

1. Wet the inside end of the drain hose with tap water. **DO NOT USE ANY OTHER LUBRICANT.**
2. Squeeze ears of small clamp with pliers to open clamp and place clamp over end of drain hose.
3. While holding clamp open, work end of drain hose onto drain connector until drain hose is within 1/4 inch of ribbed stop.
4. Position clamp over the drain hose area marked "clamp." Release clamp. Clamp should be 1/4 inch from end of drain hose.

17. Open clamp and slide over "hook" end of drain hose to secure the rigid and corrugated sections together.



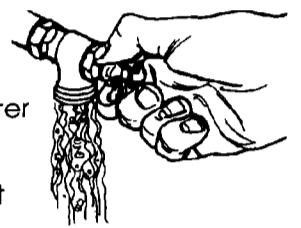
18. If you have room to work from either side of the washer/dryer, move washer/dryer close to final position so you can easily complete the following steps. (Go to Step 19.)

If you are working in a closet or recessed area, move the washer/dryer into its final position and remove cardboard or hardboard from under washer/dryer. Remove the access panel by removing three Phillips-head screws and one bumper, located at the top of the access panel. Set panel, screws and bumper aside. (See Step 26, Panel E.) Complete the following steps through the access area.

19. Put "hook" end of drain hose into laundry tub or standpipe. Check for proper length of drain hose.

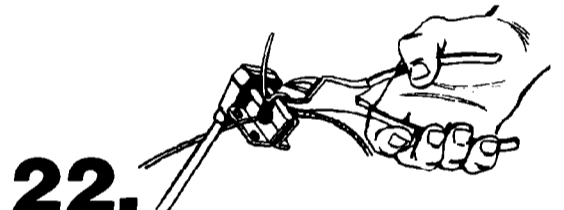
DO NOT FORCE EXCESS LENGTH OF DRAIN HOSE DOWN THE STANDPIPE. THIS COULD CAUSE SIPHONING.

20. Before attaching water inlet hoses, run water through both faucets into a bucket. This will get rid of particles in water lines that might clog hoses. Mark which is the hot water faucet.



21. Attach bottom hose (inlet marked "H") to hot water faucet. Attach top hose (inlet marked "C") to cold water faucet. Tighten the coupling to the faucet by hand. Use pliers to make final two-thirds turn.

Move washer/dryer to its permanent location. Remove cardboard from under washer/dryer.



22.

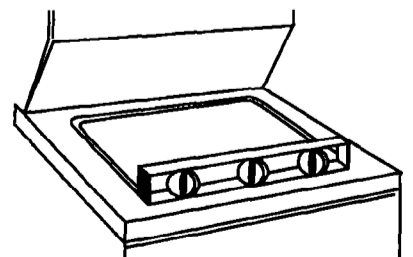
Cut the plastic strap securing the cable wire bracket to the power supply cord. **DO NOT CUT CABLE.** Discard plastic strap. Remove the power supply cord from the bracket.

WARNING

Fire Hazard

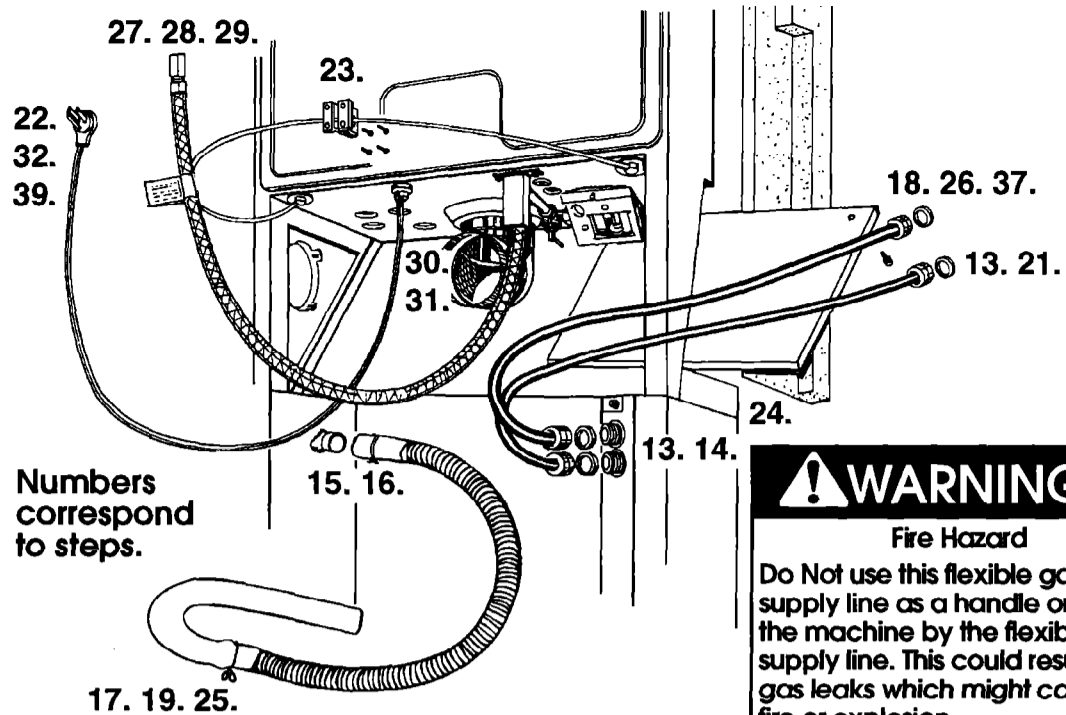
- The washer/dryer must be secured to a wall stud or concrete wall to prevent the washer/dryer from pulling away from the gas supply line.
 - If the washer/dryer is moved to a new location, the bracket must be disconnected from the wall and reinstalled in the new location.
 - Do Not cut the cable line.
- Failure to do so may result in a fire, explosion or personal injury.

23. In the 24-inch wide area directly behind the washer/dryer, find a wall stud. Attach the cable bracket to the wall stud or concrete wall 28 inches minimum to 41 inches maximum above the floor using four screws.

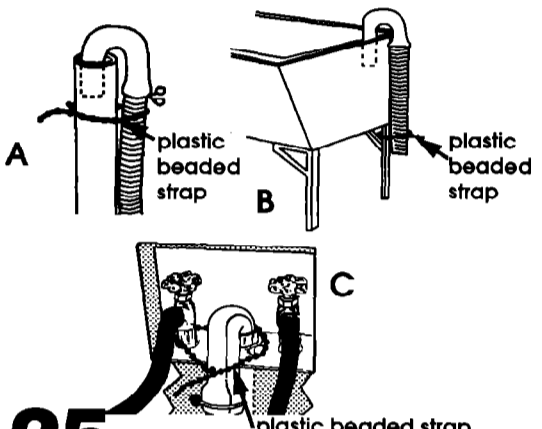


24.

Check the levelness of washer/dryer by placing a carpenter's level on top of the washer, first side-to-side then front-to-back. If it is not level, adjust the front legs up or down. Tilt the washer/dryer forward — raising back legs 1 inch off the floor to let the rear self-leveling legs adjust. Gently lower the washer/dryer to the floor. Make final check with level.



Check that drain hose is not twisted or kinked and is securely in place.



25. Put "hook" end of drain hose in tub or standpipe. Wrap the plastic beaded strap around the drain hose and tub or standpipe. Thread beaded end of strap through keyhole end. Pull until strap is tight. Slide strap into narrow end of keyhole to lock strap in place. See Figures A-B.

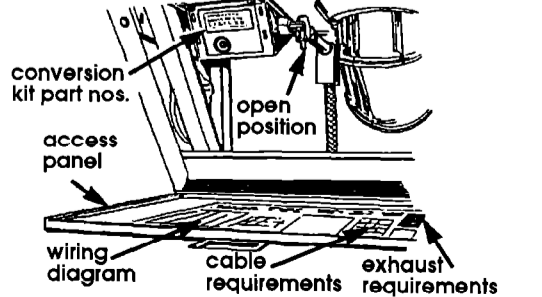
If the water inlet faucets and drain standpipe are recessed, put "hook" end of drain hose in standpipe. Tightly wrap the plastic beaded strap around the drain hose and faucet body. (**Do Not** wrap strap around the faucet handles or stems.) Thread beaded end of strap through keyhole end. Pull until strap is tight. Slide strap into narrow end of keyhole to lock strap in place. See Figure C.

If drain hose cannot be strapped into place, hose must be cut exactly to length so "hook" end is held tightly over edge of tub or standpipe.

If a longer drain hose is needed, Drain Hose Part No. 388423 and Hose Connection Kit Part No. 285442 are available from your authorized parts distributor. If drain hose must be shortened, use Hose Connection Kit Part No. 285442.

Note: If washer/dryer is moved to adjust drain hose, the washer/dryer must be leveled again. Repeat Step 24. Place cardboard under the washer/dryer and carefully move washer/dryer to avoid damaging floor covering.

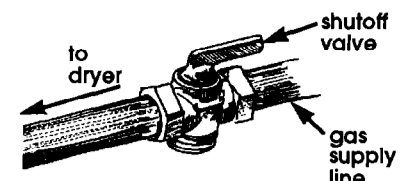
26. If you did not remove the access panel in Step 18, remove the two foam shipping pieces between the washer and dryer and place with other shipping pieces. Remove the 3 Phillips-head screws and one bumper at the top of the access panel. Set panel and screws aside.



The wiring diagram is located on the back of the access panel. Read before installing or servicing.

Panel E

! WARNING
Fire Hazard
 Do Not use this flexible gas supply line as a handle or pull the machine by the flexible gas supply line. This could result in gas leaks which might cause a fire or explosion.

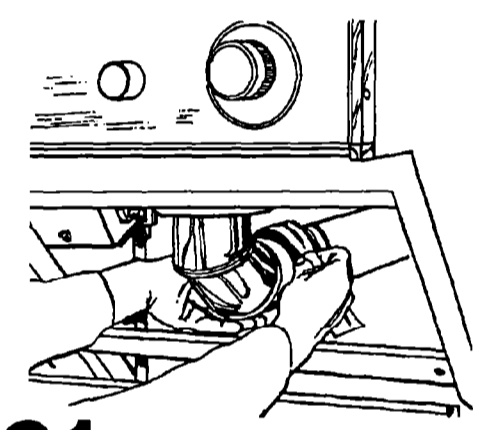


28. All connections **must** be wrench-tightened. Open the shutoff valve in the gas supply line.

! WARNING
Fire Hazard
 Do Not use an open flame to test for gas leaks from gas connections. Checking for leaks with a flame may result in a fire or explosion.

29. Use a brush and liquid detergent to test **all** gas connections for leaks. Bubbles around connections will indicate a leak. If a leak appears, shut off gas valve controls and adjust connections. Then check connections again.

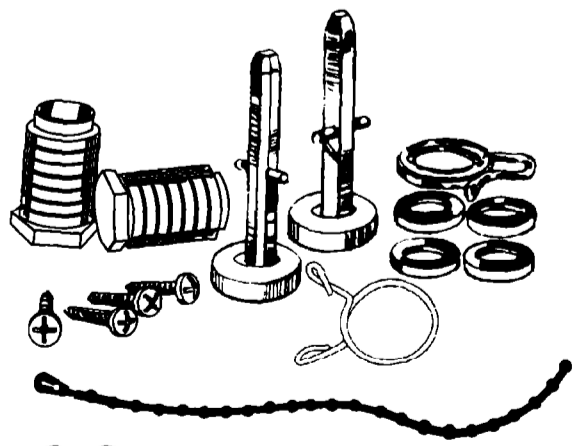
30. To exhaust the dryer straight from back of the washer/dryer unit, determine if any additional exhaust duct is needed (see "Exhaust requirements," Panels B and C). To exhaust the dryer to either side or inside, check if additional exhaust duct is needed. See mobile home exhaust requirements, Panel C for installing ductwork. Connect exhaust duct to exhaust hood.



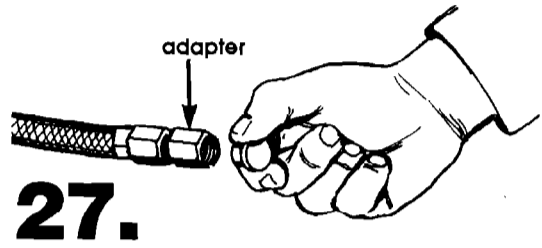
31. Connect exhaust duct to exhaust hood and dryer. (See Exhaust requirements, Panels B and C.)

- Use the straightest path possible to avoid 90° turns.
- Use duct tape to seal all joints in the exhaust system.
- Use caulking compound to seal exterior wall opening around exhaust hood.

32. CHECK ELECTRICAL REQUIREMENTS. BE SURE YOU HAVE CORRECT ELECTRICAL SUPPLY AND RECOMMENDED GROUNDING METHOD. Check the Installation Instructions to see that you have completed each step. Complete any missed steps before you continue.



33. Check that all parts are now installed. (See parts list, Panel C.) If there is an extra part, go back through steps to see which step was skipped.

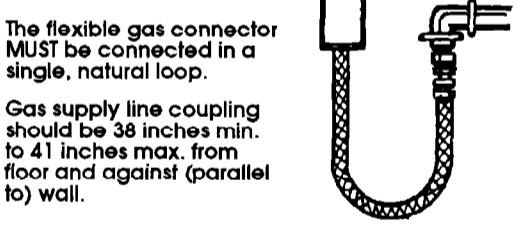


27. Remove the red cap from the flexible gas connector. Remove the adapter from the flexible gas connector. (It may be necessary to use two adjustable wrenches.) Install the adapter on the rigid gas supply line using pipe-joint compound. Attach the flexible gas connector to the adapter. **Do Not use pipe-joint compound. (See Step 1, Panel B.)**

Connect dryer to rigid gas supply line so that there is a natural loop in the flexible gas connector from the dryer. The couplings should be in the same plane and positioned just far enough apart to allow the flexible gas connector from the dryer to loop without any strains on the line. The flexible gas connector must **NOT** be twisted, kinked or attached with any sharp bends. Use pipe-joint compound resistant to the action of L.P. gas for all gas connections, except at the flexible gas connector to the adapter. (See Step 1, Panel B.)

A rigid gas supply line to washer/dryer location must be used.

Right method

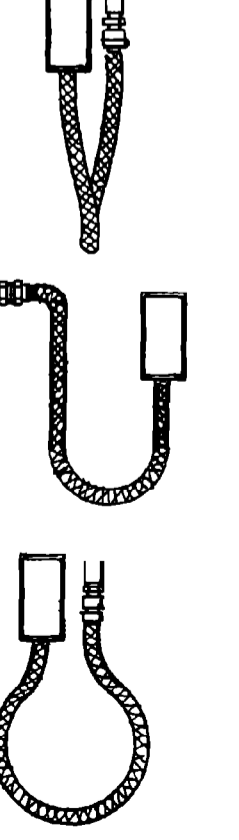


Wrong methods

DO NOT OFFSET COUPLINGS — this causes twisting and straining of the flexible gas connector, which may cause premature failure of the connector.

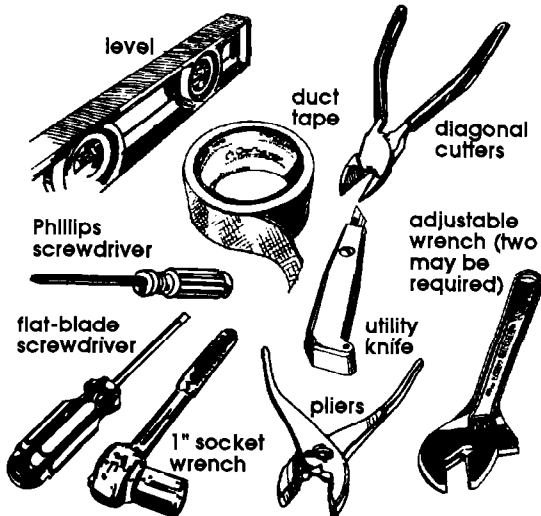
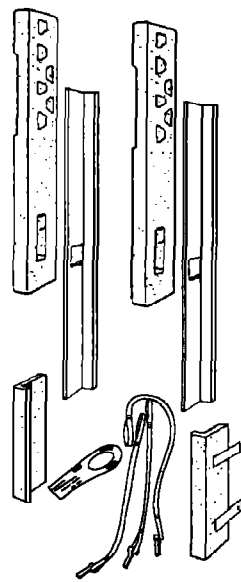
A sharp bend in the flexible gas connector at the couplings causes straining and twisting, which may result in premature failure of the connector.

Placing the couplings too close together causes double bends that may result in fatigue failure of the fittings.



34. Check that you removed all the shipping pieces including three shipping straps with keys. Dispose of all materials in proper manner.

If you do not remove all three shipping straps, your washer/dryer may "walk" away from its location.

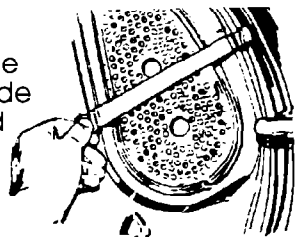


35. Check that you have all of your tools.

36. Turn on water faucets and check for leaks. Tighten couplings if there is leaking. Do Not overtighten; this could cause damage to faucet.

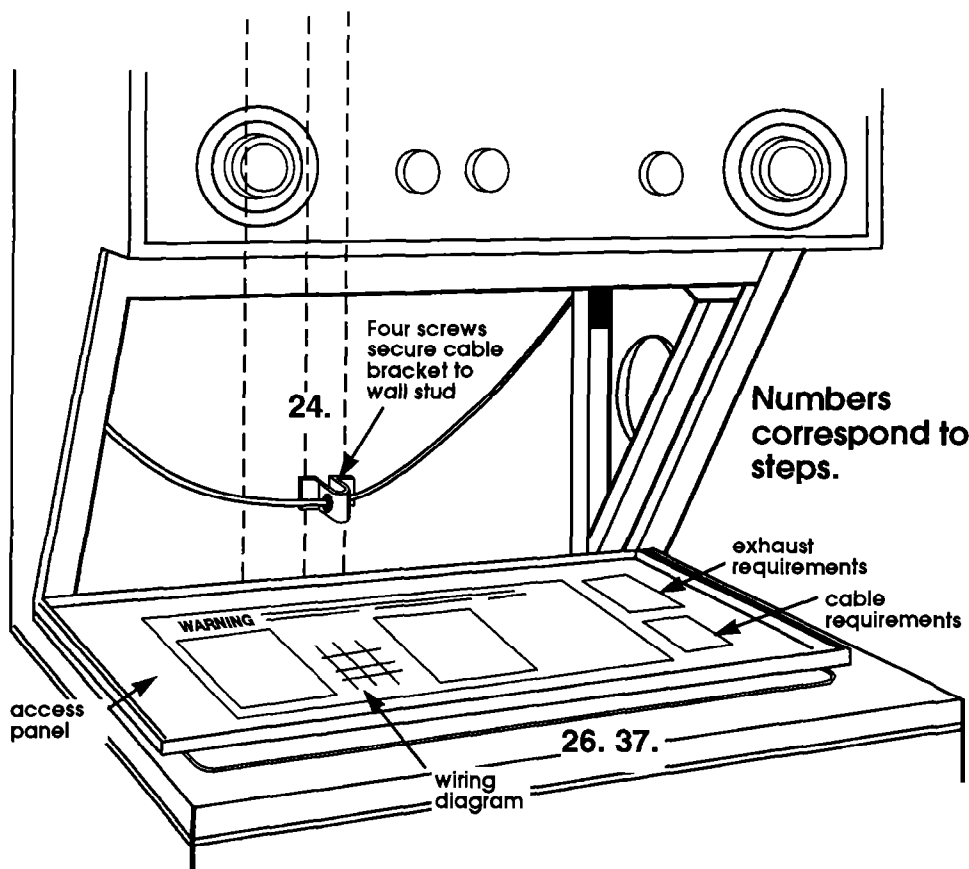
37. Replace access panel. Be sure to tighten the three Phillips-head screws at the top of the access panel. Replace the bumper under the center screw.

38. Read the Use and Care Guide to fully understand your new washer/dryer. Open dryer door. Remove the tape across the dryer lint screen. Check to be sure lint screen is in its proper position. Wipe out drum.



39. Plug power supply cord into grounded outlet. Now start the washer and allow it to complete the regular cycle.

40. Start dryer to remove air from the gas supply line. Using a full heat cycle (not the air cycle), let the dryer run for at least five minutes. If the burner does not ignite and you can feel no heat inside the dryer, shut off the dryer for five minutes. Check that all supply valve controls are in the "ON" position and that the power supply cord is plugged in. Repeat the five-minute test.



WARNING

Fire/Personal Injury Hazard

The cable assembly **MUST** be used to secure the washer/dryer to the wall.

Both ends of the cable must remain attached to the washer/dryer. The bracket must be firmly attached to a wall stud or concrete wall.

This assembly is required to limit the movement of the washer/dryer in case of excessive machine vibration or unbalanced loads.

The cable assembly, flexible gas-line connector and fittings must remain with the washer/dryer if the washer/dryer is moved. The cable and flexible gas-line connector must be reinstalled as shown in the Installation Instructions.

If the cable assembly (Part No. 3388580) and/or flexible gas-line connector (Part No. 3388589) is missing, order from your authorized parts distributor before reinstalling washer/dryer.

Failure to follow these instructions may cause hidden damage to the gas piping and result in hazardous gas leaks with the potential of explosion, fire or asphyxiation.

When moving the washer/dryer...

- Disconnect the power supply cord, then tape securely to the washer/dryer.
 - Shut off the gas supply valve in the gas supply line.
 - Disconnect the flexible gas connector and fittings from gas supply line and cap the gas supply line.
 - Tape the flexible gas connector to back panel of the washer/dryer. **DO NOT DISCONNECT THE FLEXIBLE GAS CONNECTOR FROM THE WASHER/DRYER.**
 - Unscrew the cable bracket from the wall stud or concrete wall. Save the bracket and four screws.
 - Tape the dryer drum to the front panel. Tape the lint screen in place. Tape the dryer door closed.
 - Wedge a blanket between the tub ring and cabinet top to restrict tub movement.
 - Screw front leveling legs all the way in.
- Before installing the washer/dryer in your new home, check with your gas supplier or dealer to see that your dryer is equipped with the correct burner for the particular type of gas in your new home. Burner information may be found on the serial/rating plate in the door well of the dryer.

If you need assistance...

Check your Use and Care Guide for a toll-free number to call, or call the dealer from whom you purchased this appliance. The dealer is listed in the Yellow Pages of your phone directory under "Appliances — Household — Major — Service and Repair."

When you call, you will need the washer/dryer model number and serial number. Both numbers can be found on the serial/rating plate located in the door well behind the dryer door and on front of opening.

If washer/dryer does not operate properly...

Check the following to be sure that:

1. Electric supply is connected.
2. House fuse is intact and tight or circuit breaker is not tripped.
3. Washer lid or dryer door is closed.
4. Controls are set in a running or "ON" position.
5. Dryer start button has been firmly pushed.
6. Gas shutoff valves are open in dryer and in supply line.

You have successfully installed your new washer/dryer. To get the most efficient use from your new washer/dryer, read your **Use and Care Guide**. **Congratulations!** Keep Installation Instructions nearby where you can refer to them. They'll make reinstalling your washer/dryer in another home as easy as the first installation.

Recessed and closet installation instructions

! WARNING

Fire/Health Hazard

- Exhaust the dryer to the outside to prevent exposure to substances in the gas fuels and combustion by-products which may be harmful to your health. Failure to do so may result in a fire or health hazard.

This washer/dryer may be installed in a recessed area or closet.

The installation spacing is in inches and is minimum allowable. Additional spacing should be considered for ease of installation, servicing and compliance with local codes and ordinances.

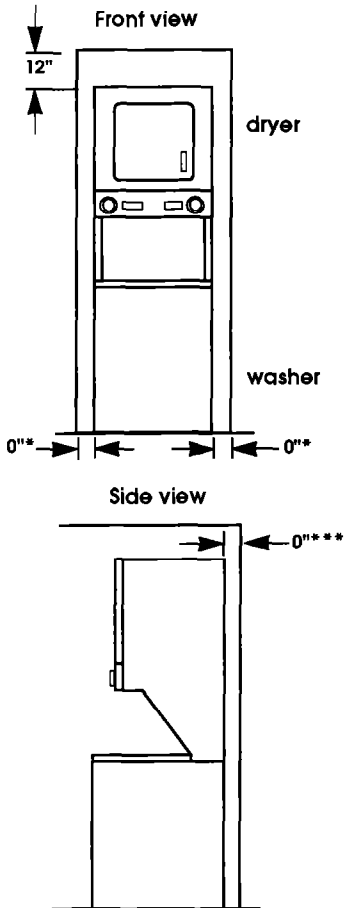
If closet door is installed, the minimum unobstructed air openings in top and bottom are required. Louvered doors with equivalent air openings are acceptable.

Note: No other fuel-burning appliance may be installed in the same closet.

Other installations must use the minimum dimensions indicated.

TO PREVENT LARGE AMOUNTS OF LINT AND MOISTURE FROM ACCUMULATING, TO MAINTAIN DRYING EFFICIENCY AND TO PREVENT EXPOSURE TO POSSIBLE HEALTH HAZARDS, THIS APPLIANCE SHOULD BE EXHAUSTED OUTDOORS.

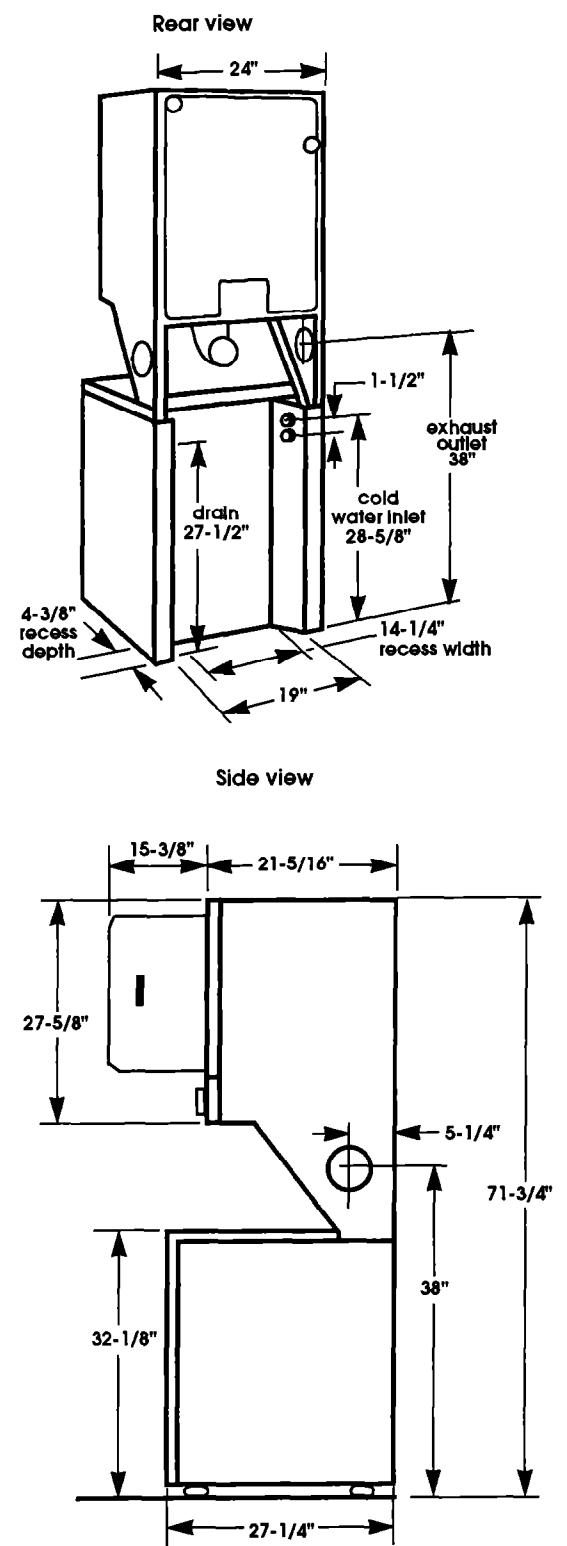
Recessed installation



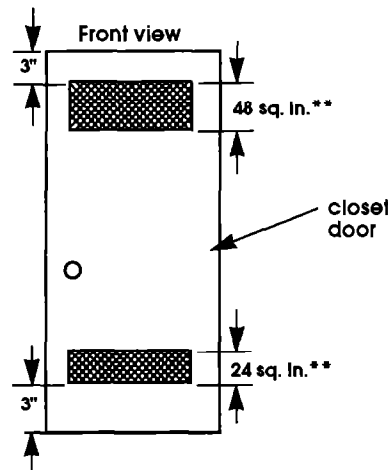
Minimum installation spacing

Additional clearance for wall, door and floor molding may be required.

Product dimensions



Closet installation



Unobstructed air openings are minimum for closet door. Louvered door with equivalent air openings is acceptable.

Closet installation must be exhausted outdoors. Additional clearance for wall, door and floor molding may be required.

- * Additional clearances for wall, door and floor moldings may be required or if external exhaust elbow is used.
- ** Opening is minimum for closet door. Louvered door with equivalent air openings is acceptable.
- *** Additional space may be needed for exhaust elbow.

Part No. 3403152
©1995

Benton Harbor, Michigan 49022



Printed on recycled paper.
10% post consumer waste/
50% recovered materials.

Printed in U.S.A.