

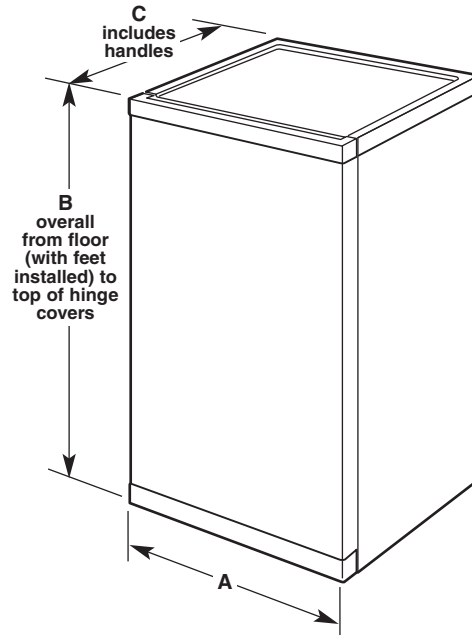
# Whirlpool<sup>®</sup> Compact Refrigerator

## PRODUCT MODEL NUMBERS

EL02CCXM	EL03CCXM
EL02CCXP	EL03PPXM
EL02PPXM	EL05CCXM
	EL05PPXM

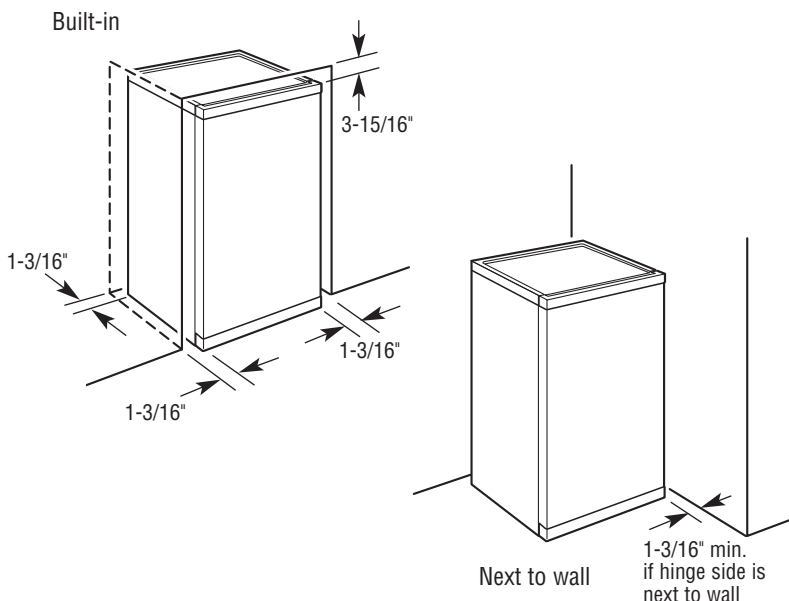
**Electrical:** A 115 Volt, 60 Hz., AC only 15 or 20 amp fused (or circuit breaker), grounded electrical supply is required. It is recommended that a separate circuit serving only your refrigerator be provided. Use an outlet that cannot be turned off by a switch. Do not use an extension cord.

## OVERALL DIMENSIONS



Model	Width "A"	Height "B"	Depth "C"
EL02CCXM	18 31/32"	17 3/32"	20 7/16"
EL02CCXP	17 1/8"	19 7/8"	20 5/32"
EL02PPXM	18 29/32"	17 3/32"	20 7/16"
EL03CCXM	18 31/32"	24 7/8"	20 7/16"
EL03PPXM	18 29/32"	24 7/8"	20 7/16"
EL05CCXM	18 31/32"	33 15/16"	20 7/16"
EL05PPXM	18 29/32"	33 15/16"	20 7/16"

## LOCATION REQUIREMENTS



If your refrigerator is to be built-in, to ensure proper ventilation for your refrigerator, allow for 1-3/16 in. (3.0 cm) space on each side and at the back, and leave 3-15/16 in. (10 cm) at the top. When installing your refrigerator next to a fixed wall and the hinge side is next to the wall, leave 1-3/16 in. (3.0 cm) minimum to allow for the door to swing open. To open door wider, leave more space.

**NOTE:** Do not install the refrigerator near an oven, radiator, or other heat source, nor in a location where the temperature will fall below 55°F (13°C).