



**Electrolux**

## Factory Parts Catalog

Product No.	EW30SO60QSC
Series	BI-Convection
Market	North America
Color	stainless
Volts	120
Watts	900
Wiring Diagram	5995691143
Owner's Guide	316902930
Installation Instructions	TINSEB532MRR0

 **Electrolux**

### Electrolux Major Appliances

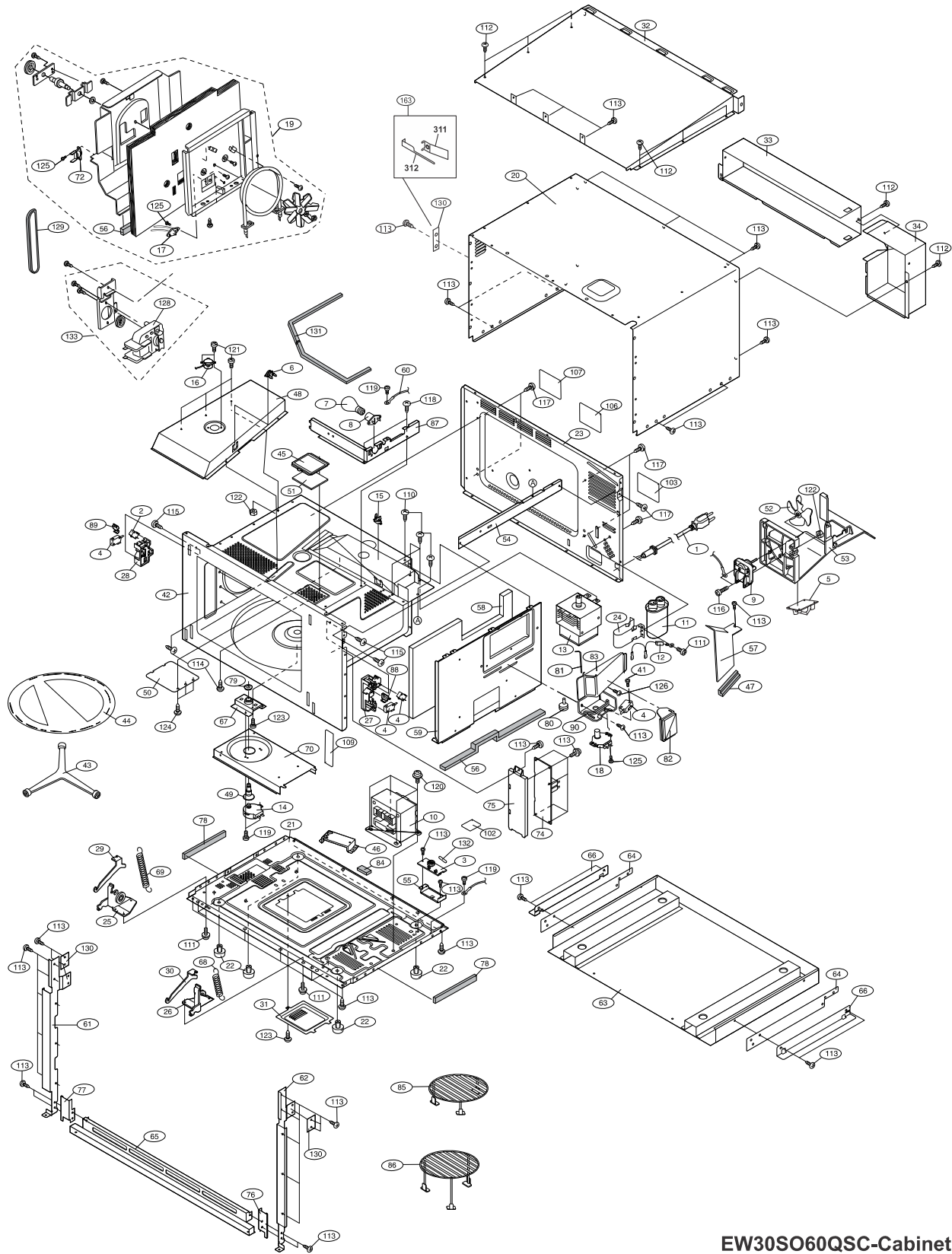
P.O. BOX 8020  
CHARLOTTE, NC 28262

Publication No.  
**5995691143**  
17/09/06  
(EN/SERVICE/ECL)  
099

### BUILT-IN MICROWAVE

Model No.  
EW30SO60Q

**OVEN, CABINET**

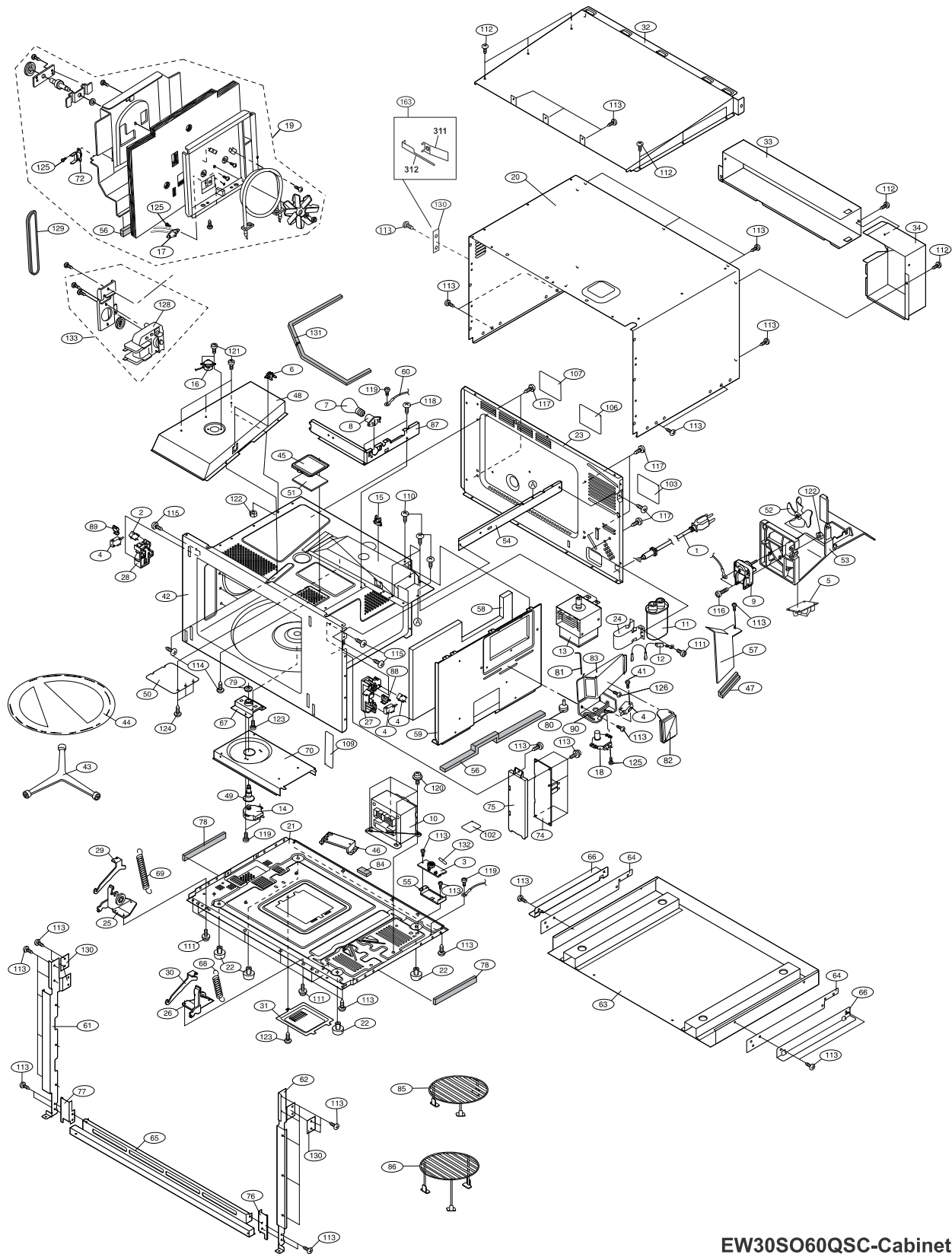


**EW30SO60QSC-Cabinet**

**OVEN,CABINET**

POS. NO	PART NO.	DESCRIPTION
1 #	5304470537	Power Cord, electric
2 #	5304503483	Switch, monitor, w/ceramic fuse
3 #	5304507104	Filter, noise
4 #	5304493153	Switch, interlock, door sensor
5 #	5304507112	Power Unit, AC/DC switching
6 #	5304461114	Thermal Cut-Out, oven, 170 C
7	5304464198	Lamp, oven light
8 #	5304463785	Lampholder, socket
9 #	5304461119	Motor, fan
10 #	5304470538	Transformer, power
11 #	5304470539	Capacitor, high voltage
12 #	5304480635	Rectifier Assembly, high voltage
13 #	5304501808	Magnetron
14 #	5304498736	Motor, turntable
15 #	5304461113	Thermal Cut-Out, magnetron
16 #	5304461125	Sensor Assembly, AH
17 #	5304483929	Thermistor
18 #	5304485889	Motor, damper
19 #	5304503730	Convection Fan Assembly
20	5304470542	Cabinet, outer casing
21	5304470734	Base, chassis, w/motor cover
22	5304461127	Foot, cabinet, (4)
23	5304498738	Panel, cabinet back
24	5304498739	Holder, capacitor
25	5304480638	Hinge, oven, LH
26	5304480639	Hinge, oven, RH
27	5304470547	Latch Hook, right side
28	5304470548	Latch Hook, left side
29	5304480640	Cam, door, LH
30	5304480641	Cam, door, RH
31	5304470551	Cover, turntable motor
32	5304501829	Cover, front
33	5304470553	Duct, B
34	5304470554	Duct, C
41	5304461208	Screw, 3mm x 14mm
43	5304501830	Support, turntable, with rollers
44	5304498731	Tray, turntable, ceramic
45	5304461155	Frame, light lens
46	5304470564	Bracket, mounting, transformer
47	5304461157	Cushion
48	5304461158	Duct Assembly, steam release
49	5304480644	Coupling, turntable
50	5304461165	Cover, waveguide
51	5304461167	Lens, light
52 #	5304461173	Blade, fan
53	5304461174	Duct, cooling fan
54	5304461175	Support, chassis
55	5304461178	Bracket, noise filter, angle
56	5304461156	Cushion
57	5304461181	Guide, air, magnetron
58	5304461182	Sheet, thermal, protection
59	5304461183	Cover, thermal sheet, panel
60 #	5304461196	Wiring Harness, thermistor
61	5304470565	Trim, left side
62	5304470566	Trim, right side
63	5304504302	Duct, exhaust
64	5304501832	Angle, bottom

**OVEN, CABINET**



**EW30SO60QSC-Cabinet**

---

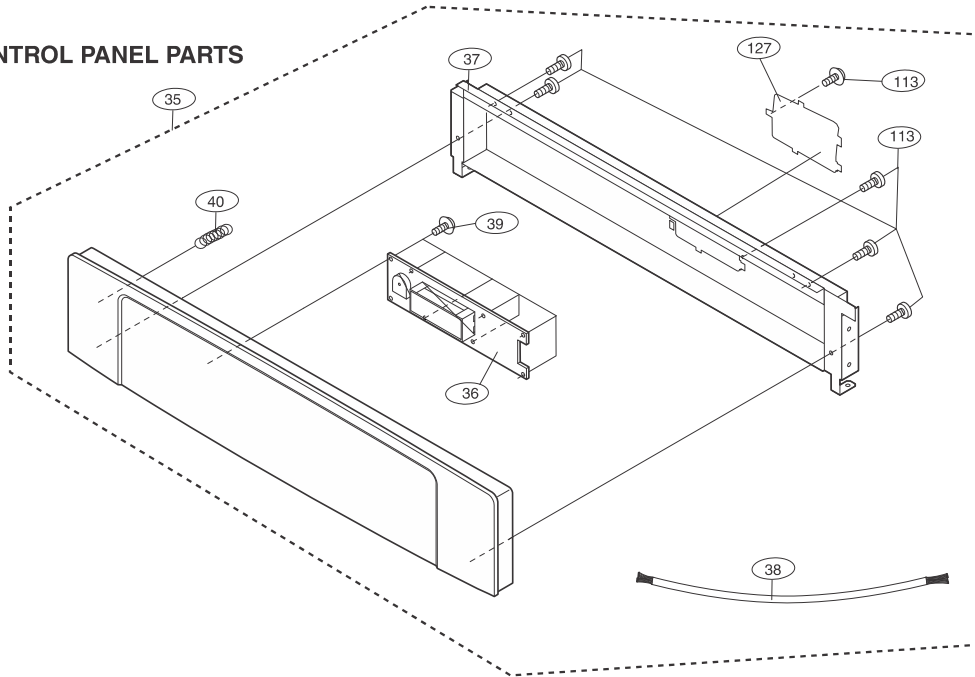
**OVEN,CABINET**


---

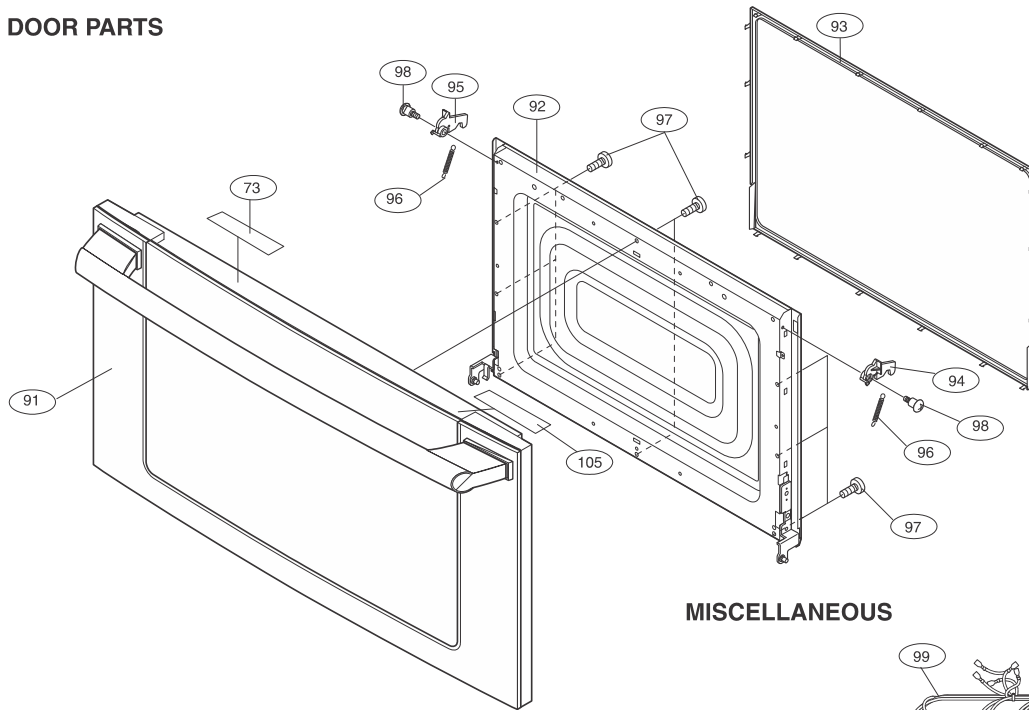
POS. NO	PART NO.	DESCRIPTION
65	5304475717	Louver, inlet, 30 inch
66	5304501833	Angle, shipping
67	5304451459	Bracket, turntable mount
68	5304503731	Spring, door, RH
69	5304503732	Spring, door, LH
70	5304470576	Insulator, thermal barrier
72 #	5304503729	Thermal Cut-Out, convctn, 150 C
74 #	5304513487	Power Board, printed circuit
75	5304470735	Holder, power board
76	5304470594	Trim, decorative, right side
77	5304470593	Trim, decorative, left side
78	5304480655	Cushion
79	5304451470	Packing, silicon
80	5304461159	Cam, damper
81	5304461160	Shaft, damper
82	5304461161	Door Assembly, damper
83	5304461162	Duct, damper
84	5304461163	Cushion
85	5304498741	Rack Assembly, broiling trivet, low
86	5304498742	Rack Assembly, baking, high
87	5304480654	Guide, air, RH
88	5304470592	Lever, switch actuator, right
89	5304470591	Lever, switch actuator, left
90	5304461179	Cushion, damper duct
102	5304440334	Label, Caution-monitor
103	5304465314	Label, NHW caution
106	5304470585	Label, height caution
107	5304440333	Label, Caution-DHHS
109	5304498744	Label, menu
110	5303319636	Screw, (5)
111	5304451550	Screw, 4 mm x 8 mm
112	5304451552	Screw, 4 mm x 8 mm, chromium
113	5304451553	Screw, 4 mm x 12 mm
114	5304461203	Screw, 4mm x 10mm, (6)
115	5303319641	Screw, (2)
116	5304461209	Screw, 4mm x 25mm, (2)
117	5304470587	Screw
118	5304461215	Screw, 4mm x 8mm, (2)
119	5304470588	Screw
120	5304461221	Screw, 6mm x 14mm, (4)
121	5304470589	Screw
122	5304470590	Nut, special
123	5304450253	Screw, 4 mm x 8 mm
124	5304461210	Screw, 4mm x 6mm, (3)
125	5304461216	Screw, 3mm x 6mm
126	5304461204	Screw, 4mm x 8mm, (2)
128#	5304507177	Motor, convection fan
129#	5304461177	Belt, convection fan
130	5304451562	Bracket, oven retainer, anti-tip
131	5304482055	Cushion, side
132#	5304485887	Fuse, monitor
133#	5304507166	Motor Assembly, converction fan
163	5304501835	Anti-tip Kit, w/brackets, tools, screws
311	318246000	Bracket, cabinet, anti-tip
311*	5303211311	Screw, 8-18 x 0.500
311*	5304438005	Screw, 6 x 1, black
312	318246702	Tool, oven release, RH key
312	318246703	Tool, oven release, LH key

**CONTROL PANEL,DOOR,MISC.**

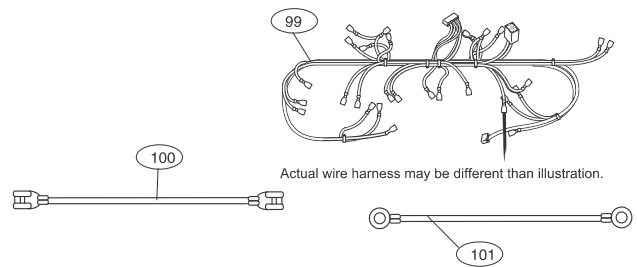
**CONTROL PANEL PARTS**



**DOOR PARTS**



**MISCELLANEOUS**



Actual wire harness may be different than illustration.

EW30SO60QSC-Controls

**CONTROL PANEL,DOOR,MISC.**

---

POS. NO	PART NO.	DESCRIPTION
35 #	5304513272	Touch Control Assy, key pad
36 #	5304513290	Display Board, CPU
37	5304513486	Bracket, control mount
38 #	5304507180	Wiring Harness, power supply
39	5304458568	Screw, 3 mm x 10 mm
40	5304470560	Spring, grounding
73	5304440346	Label, User Caution
91	5304498743	Frame, outer door, with handle
92	5304471512	Panel, inner door
93	5304470579	Frame, inner door, choke cover
94	5304491054	Latch Head, right side
95	5304490142	Latch Head, left side
96	5304501834	Spring, latch head
97	5304451561	Screw, 4 mm x 8 mm
98	5304470583	Screw
99 #	5304507164	Wiring Harness, main
100#	5304440331	Wire, high voltage-A
101#	5304461199	Wire, ground, cooling fan
105	5304451534	Label, User Caution, French
113	5304451553	Screw, 4 mm x 12 mm
127	5304498746	Plate, control panel, rear cover

WIRING SCHEMATIC

SCHEMATIC DIAGRAM

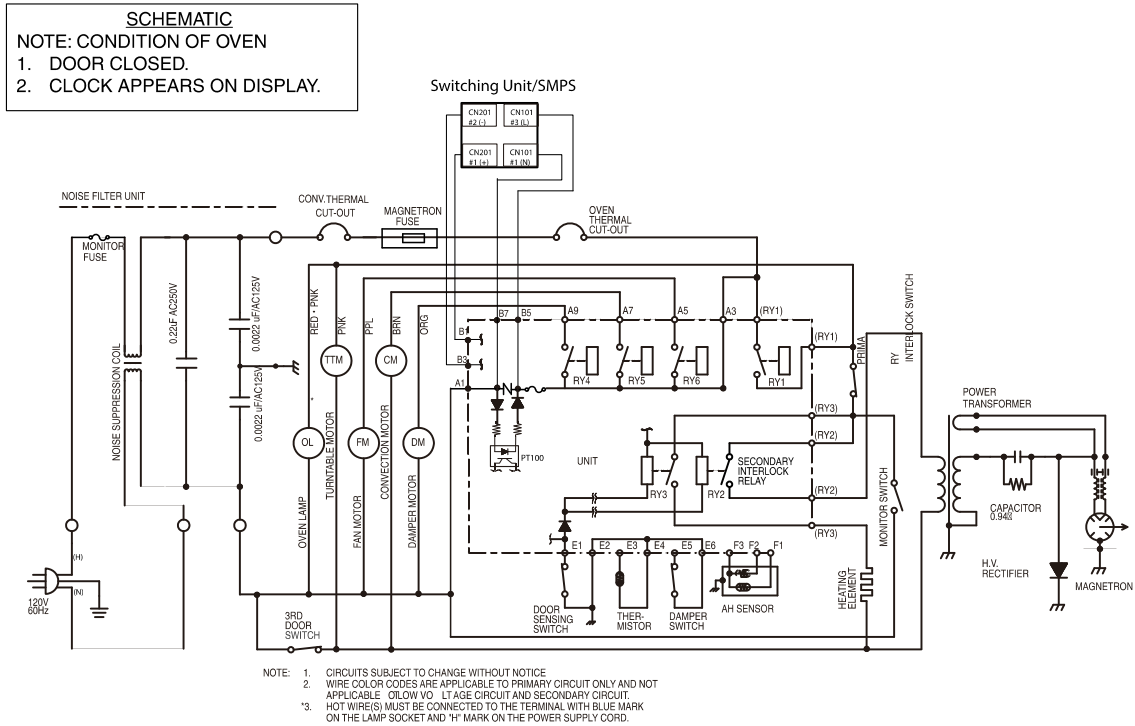


Figure O-1. Oven Schematic-OFF Condition

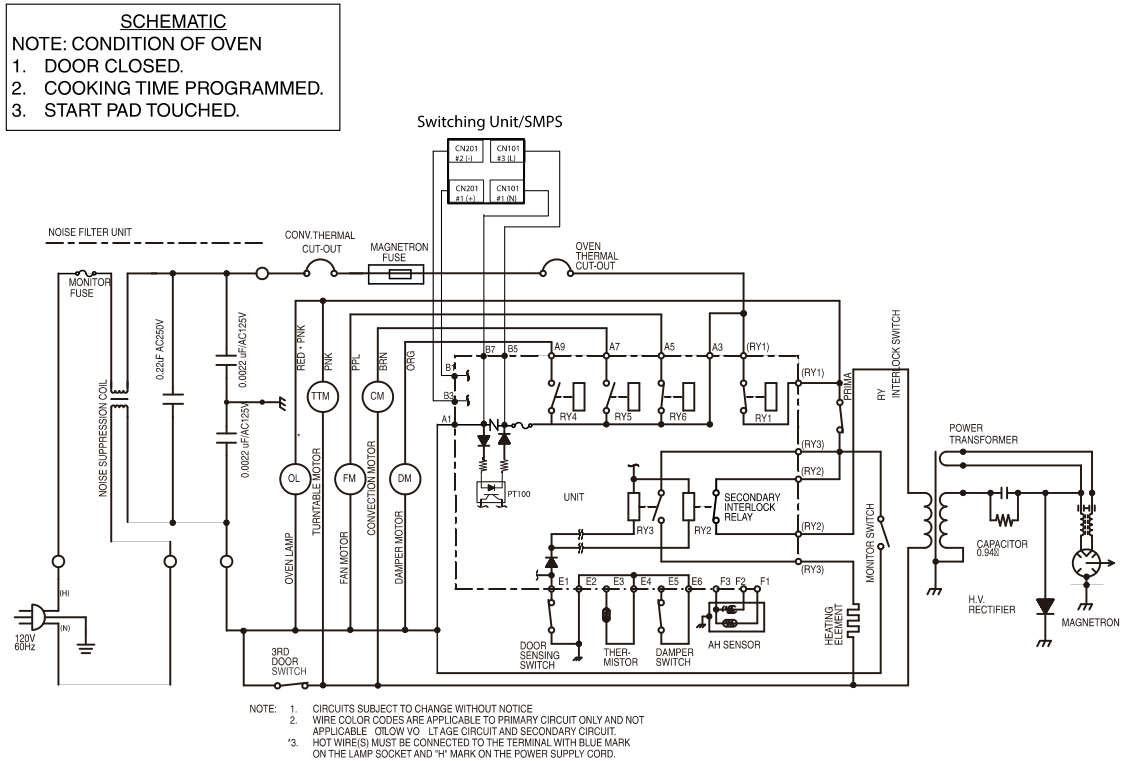
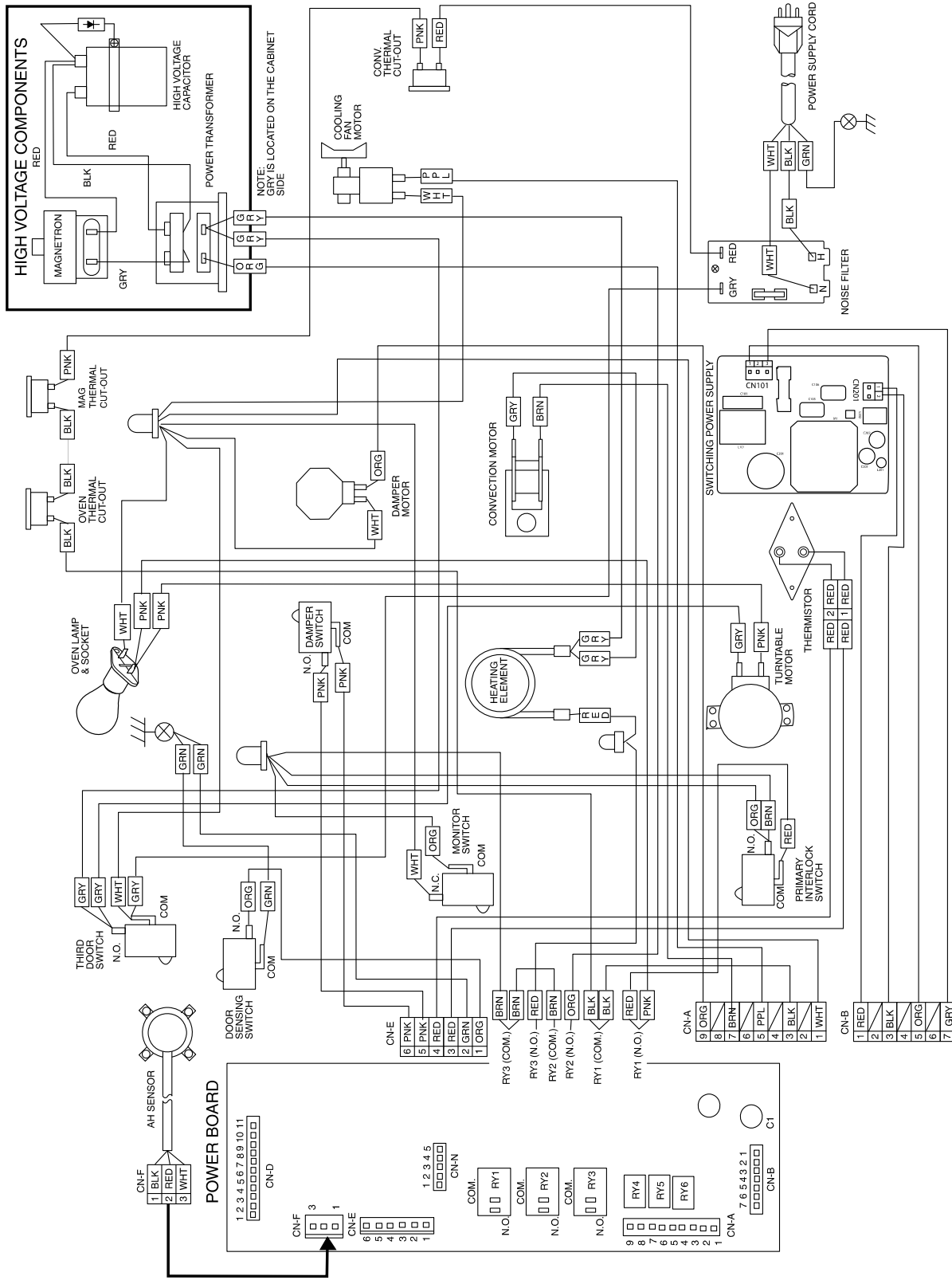


Figure O-2. Oven Schematic-Microwave Cooking Condition



WIRING DIAGRAM



# Functional Parts  
 \* Non-Illustrated Parts