



Electric Built-in Cooktop

PRODUCT MODEL NUMBERS

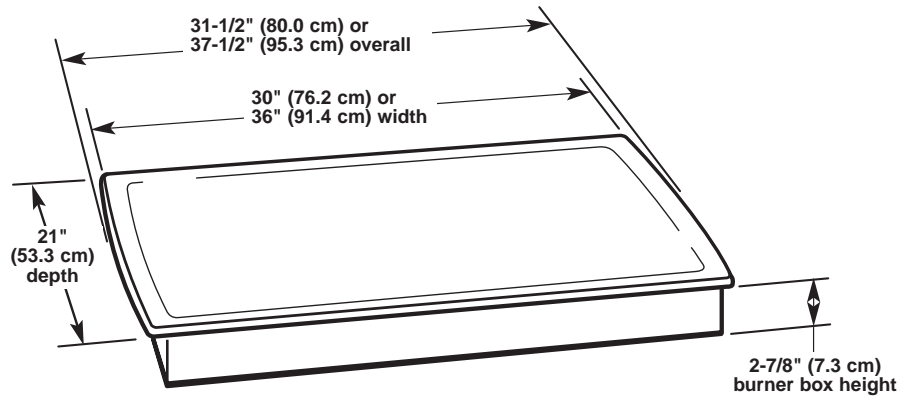
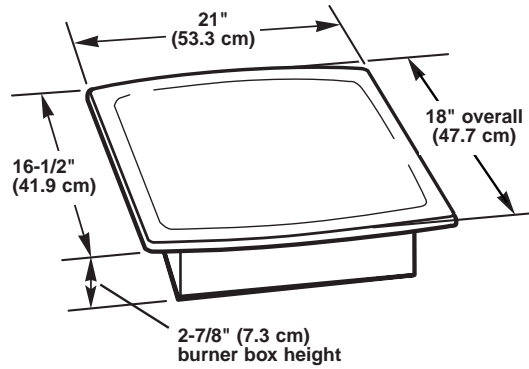
RCS2002G RCS3014G
 RCS2012G RCS3614G
 RCS3004G

Electrical:

240-volt cooktop: A three-wire or four-wire, single phase, 240-volt, 60-Hz, AC-only electrical supply is required on a separate, 40-ampere circuit (note: the RCS2012 series requires a 20 ampere circuit), fused on both sides of the line. A time-delay fuse or circuit breaker is recommended. The fuse size must not exceed the circuit rating of the appliance specified on the model/serial rating plate located on the bottom of the cooktop.

120-volt cooktop: A 120-volt, 60-Hz, AC-only, 20-ampere, fused electrical supply is required. (Time-delay fuse or circuit breaker is recommended.) It is recommended that a separate circuit serving only this appliance be provided. A NEMA 5-20R, 3-prong ground-type outlet must be used.

OVERALL DIMENSIONS

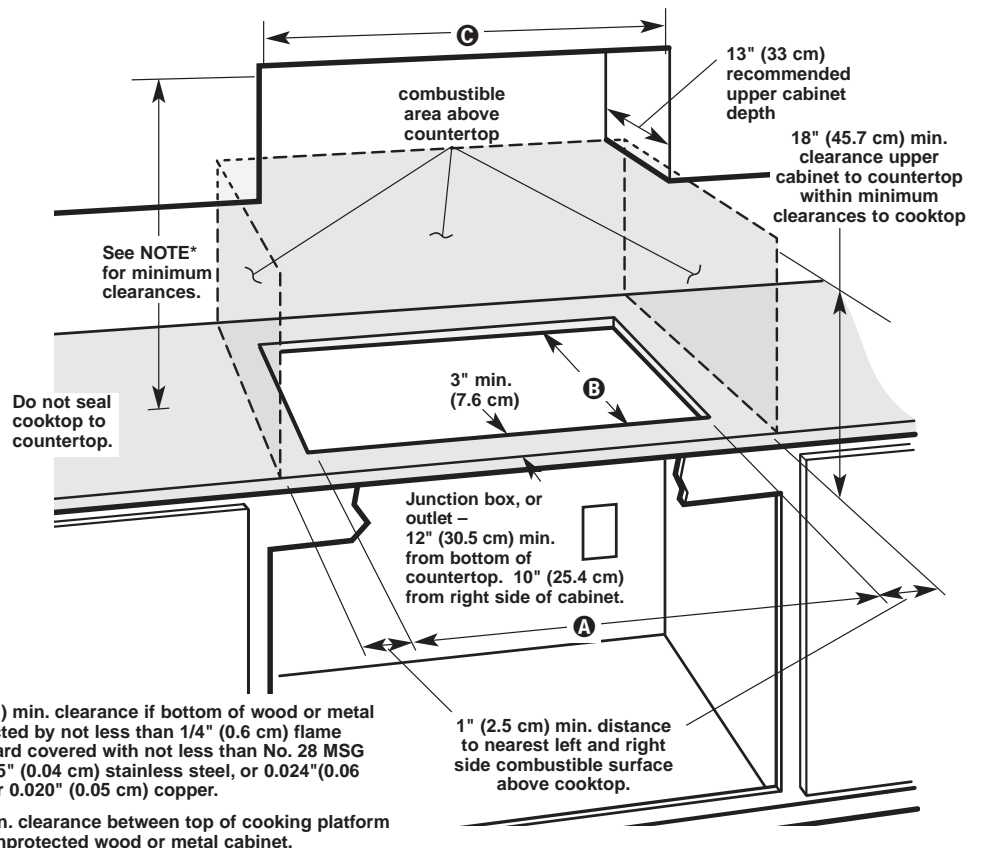


CABINET OPENING DIMENSIONS

Cooktop width	Illustration dimensions		
	A	B	C
21" (53.3 cm)	18-5/8" (33.7 cm)	15-1/2" (34.4 cm)	21" (53.3 cm)
30" (76.2 cm)	28-7/8" (73.3 cm)	18-5/8" (47.3 cm)	30" (76.2 cm)
36" (91.4 cm)	35" (89 cm)	18-5/8" (47.3 cm)	36" (91.4 cm)

Important note on base cabinet construction: After making the countertop cutout, some installations may require notching down the base cabinet side walls to clear the burner box. To avoid this modification, use a base cabinet having sidewalls wider than the cutout.

Note: If cabinet has a drawer, a 4" (10.2 cm) depth clearance from the countertop to the top of the drawer (or other obstruction) in base cabinet is required.



* **Note:** 24" (61 cm) min. clearance if bottom of wood or metal cabinet is protected by not less than 1/4" (0.6 cm) flame retardant millboard covered with not less than No. 28 MSG sheet steel, 0.015" (0.04 cm) stainless steel, or 0.024" (0.06 cm) aluminum or 0.020" (0.05 cm) copper.
 30" (76.2 cm) min. clearance between top of cooking platform and bottom of unprotected wood or metal cabinet.