



Ice Maker

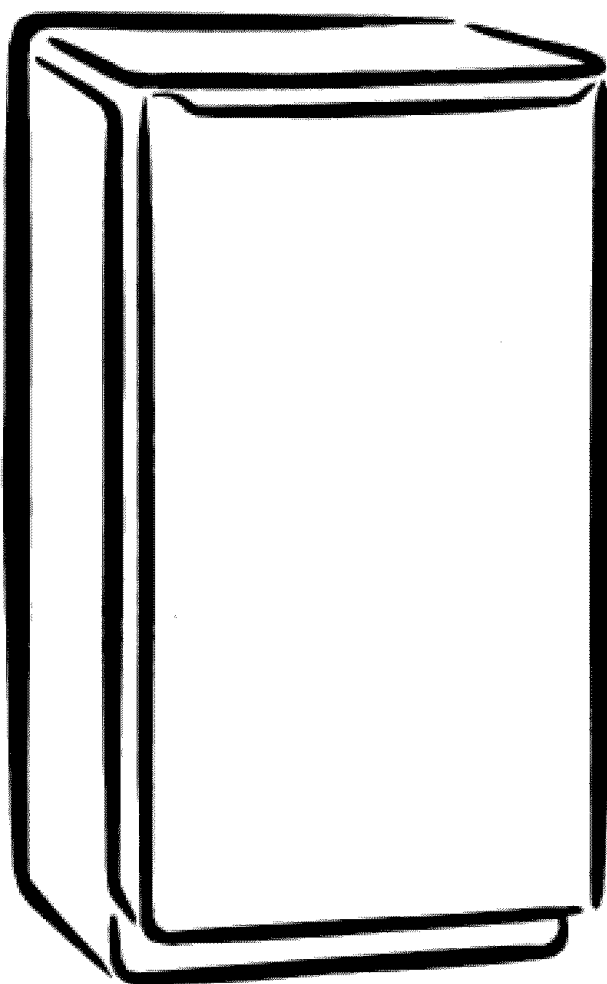
Use & Care Guide

La Fábrica de hielo

Manual de uso y cuidado

La Machine à glaçons

Guide d'utilisation et d'entretien



ENGLISH ESPAÑOL FRANÇAIS

Sears Roebuck and Co., Hoffman Estates, IL 60179 U.S.A.
Sears Canada, Inc., Toronto, Ontario, Canada M5B 2B8

TABLE OF CONTENTS

WARRANTY	2
ICE MAKER SAFETY	3
PARTS AND FEATURES	4
INSTALLING YOUR ICE MAKER	5
Unpacking the Ice Maker	5
Space Requirements	5
Electrical Requirements	6
Leveling the Ice Maker	6
Connecting the Ice Maker to a Water Source	7
Reversing the Door Swing	9
USING YOUR ICE MAKER	11
Understanding Sounds You May Hear	11
Setting the Controls	11
CARING FOR YOUR ICE MAKER	12
Cleaning Exterior Surfaces	12
Cleaning the Ice Maker System	12
Cleaning the Condenser	12
Cleaning the Interior Components	13
Vacation and Moving Care	14
TROUBLESHOOTING	15

WARRANTY

FULL ONE-YEAR WARRANTY ON ICE MAKER

For one year from the date of purchase, when this ice maker is operated and maintained according to instructions attached to or furnished with the product, Sears will repair this ice maker, free of charge, if defective in material or workmanship.

LIMITED ONE-YEAR WARRANTY ON ICE MAKER

For one year from the date of purchase, when this ice maker is used for commercial use and is operated and maintained according to instructions attached to or furnished with the ice maker, Sears will provide, free of charge, replacement parts for any parts defective in materials or workmanship. You pay for labor.

FULL FIVE-YEAR WARRANTY ON SEALED REFRIGERATION SYSTEM

For five years from the date of purchase, when this ice maker is operated and maintained according to instructions attached to or furnished with the ice maker, Sears will repair the sealed system (consisting of: refrigerant, connecting tubing, and compressor motor), free of charge, if defective in materials or workmanship.

WARRANTY SERVICE IS AVAILABLE BY CONTACTING THE NEAREST SEARS SERVICE CENTER IN THE UNITED STATES OR CANADA.

This warranty applies only while this product is in use in the United States or Canada. This warranty gives you specific legal rights, and you may also have other rights which vary from state to state or province to province.

Warranty terms may vary in Canada. Contact your local Sears Service Center for complete details.

**Sears, Roebuck and Co.
D/817WA, Hoffman Estates, IL 60179**

Sears Canada, Inc., Toronto, Ontario, Canada M5B 2B8

In the space below, record your complete model number, serial number, and purchase date. You can find this information on the model and serial number label, located as shown in the "Parts And Features" section of this book.

Have this information available to help you obtain assistance or service more quickly whenever you contact Sears concerning your ice maker.

Model number **106.** _____
Serial number _____
Purchase date _____

Save these instructions and your sales receipt for future reference.

ICE MAKER SAFETY

Your safety and the safety of others is very important.

We have provided many important safety messages in this manual and on your appliance. Always read and obey all safety messages.



This is the safety alert symbol.

This symbol alerts you to hazards that can kill or hurt you and others.

All safety messages will be preceded by the safety alert symbol and the word "DANGER" or "WARNING." These words mean:

! DANGER

You will be killed or seriously injured if you don't follow instructions.

! WARNING

You can be killed or seriously injured if you don't follow instructions.

All safety messages will identify the hazard, tell you how to reduce the chance of injury, and tell you what can happen if the instructions are not followed.

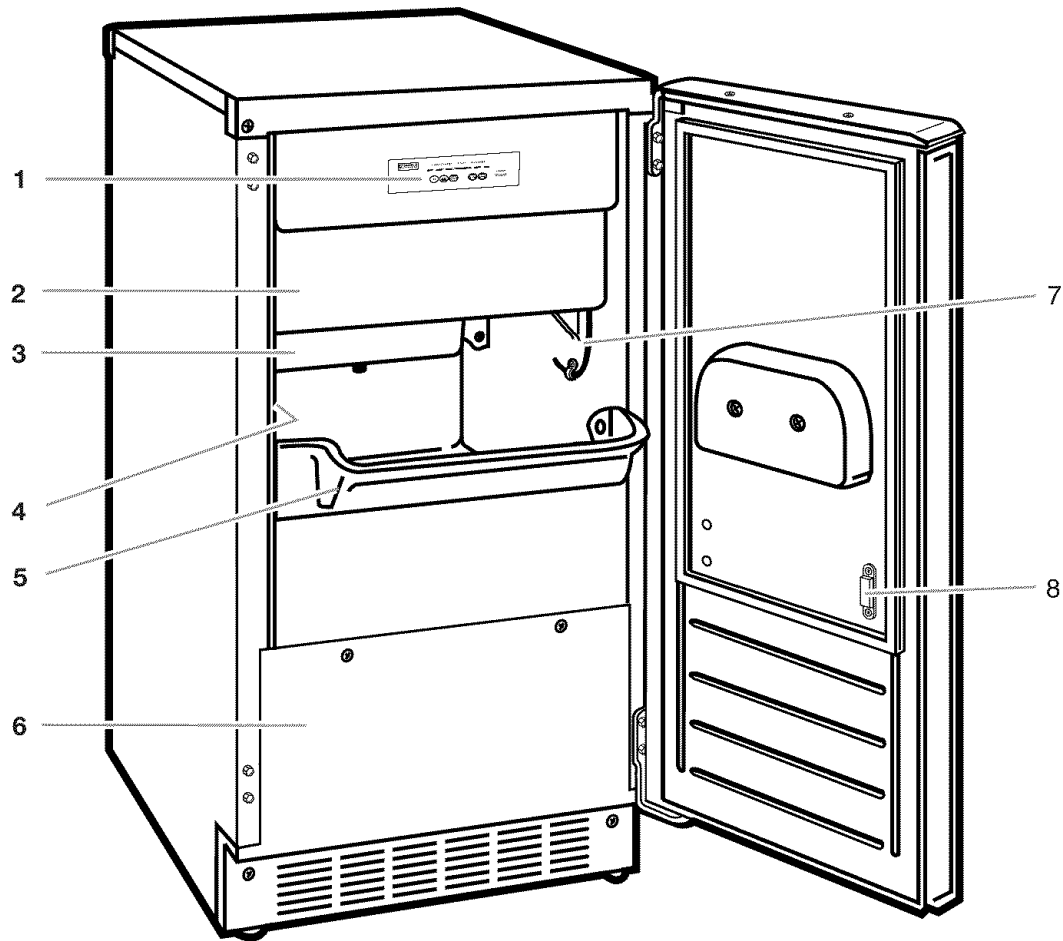
IMPORTANT SAFETY INSTRUCTIONS

WARNING: To reduce the risk of fire, electric shock, or injury when using your ice maker, follow these basic precautions:

- Plug into a grounded 3 prong outlet.
- Do not remove ground prong.
- Do not use an adapter.
- Do not use an extension cord.
- Disconnect power before cleaning.
- Disconnect power before servicing.
- Replace all panels before operating.
- Use two or more people to move and install ice maker.

SAVE THESE INSTRUCTIONS

PARTS AND FEATURES



- 1. Control Panel
- 2. Cutter Grid Cover
- 3. Water Pan
- 4. Model serial number label (on left cabinet wall)

- 5. Ice Retainer Baffle
- 6. Lower Access Panel
- 7. Ice Level Sensor
- 8. Magnetic Door Catch

INSTALLING YOUR ICE MAKER

Unpacking the Ice Maker

⚠ WARNING

Excessive Weight Hazard

Use two or more people to move and install ice maker.

Failure to do so can result in back or other injury.

Removing packaging materials

IMPORTANT: Do not remove any permanent instruction labels inside your ice maker or the Tech Sheet that is fastened behind the lower access panel.

- Remove tape and any labels from your ice maker before using (except the model and serial number label).

To remove any remaining tape or glue, rub the area briskly with your thumb. Tape or glue residue can also be easily removed by rubbing a small amount of liquid dish soap over the adhesive with your fingers. Wipe with warm water and dry.

- Do not use sharp instruments, rubbing alcohol, flammable fluids, or abrasive cleaners to remove tape or glue. These products can damage the surface of your ice maker. For more information, see the "Important Safety Instructions" section.

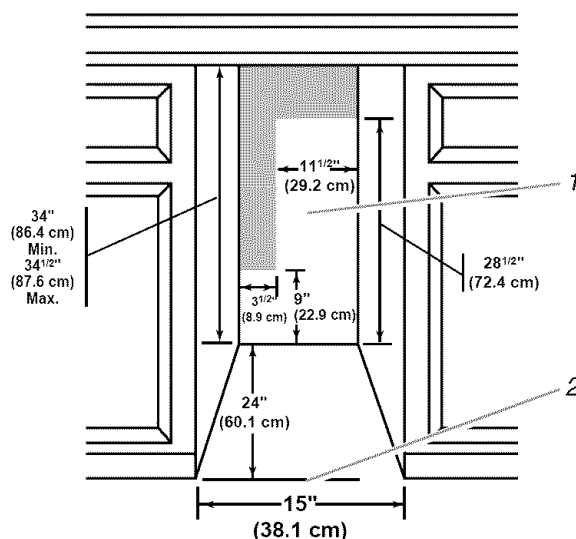
Cleaning before use

After you remove all of the packaging materials, clean the inside of your ice maker before using it. See the cleaning instructions in the "Caring for Your Ice Maker" section.

Space Requirements

- To ensure proper ventilation for your ice maker, the front side must be completely unobstructed. The unit may be closed-in on the top and three sides, but the installation should allow the ice maker to be pulled forward for servicing if necessary.
- Installation of the ice maker requires a cold water supply inlet of 1/4" (6mm) OD soft copper tubing with a shut-off valve and either a gravity-drain system or condensate pump to carry the water to an existing drain.
- Choose a well ventilated area with temperatures above 55°F (13°C) and below 100°F (38°C). Best results are obtained between 70°F (21°C) and 90°F (32°C). This unit **MUST** be installed in an area protected from the elements, such as wind, rain, water spray, or drip.
- When installing the ice maker under a counter, follow the recommended opening dimensions shown. Place electrical and plumbing fixtures in the recommended location as shown.

NOTE: Do not kink or pinch the power supply cord between the ice maker and cabinet.



- Recommended Location for Electrical and Plumbing Fixtures.
- Floor Level

- You should choose a location where the floor is even. It is important for the ice maker to be level in order to work properly. If needed, you can adjust the height of the ice maker by changing the position of the rear wheels. See the "Leveling the Ice Maker" section.

Electrical Requirements

⚠ WARNING



Electrical Shock Hazard

Plug into a grounded 3 prong outlet.

Do not remove ground prong.

Do not use an adapter.

Do not use an extension cord.

Failure to follow these instructions can result in death, fire, or electrical shock.

Before you move your ice maker into its final location, it is important to make sure you have the proper electrical connection:

A 115 Volt, 60 Hz., AC only 15 ampere electrical supply, properly grounded in accordance with the National Electrical Code and local codes and ordinances, is required.

It is recommended that a separate circuit, serving only your ice maker, be provided. Use a receptacle which cannot be turned off by a switch or pull chain.

Recommended grounding method

For your personal safety, this appliance must be grounded. This appliance is equipped with a power supply cord having a 3 prong grounding plug. To minimize possible shock hazard, the cord must be plugged into a mating, 3 prong, grounding-type wall receptacle, grounded in accordance with the National Electrical Code and local codes and ordinances. If a mating wall receptacle is not available, it is the personal responsibility of the customer to have a properly grounded, 3 prong wall receptacle installed by a qualified electrician.

Leveling the Ice Maker

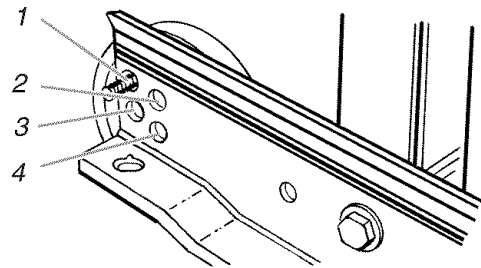
It is important for the ice maker to be level in order to work properly. Depending upon where you install the ice maker, you may need to make several adjustments to level it.

Tools required

- Carpenter's level
- Adjustable wrench
- ¼" socket wrench

Undercounter installation

If you are installing the ice maker under a countertop, then you may need to adjust the height of the ice maker. The adjustable rear wheels are preset to position 1 for a cabinet opening height of 34" (86.4 cm).



1. For cutout height of 34" (86.4 cm)
2. For cutout height of 34½" (86.7 cm)
3. For cutout height of 34⅝" (87.2 cm)
4. For cutout height of 34½" (87.6 cm)

To adjust the rear wheel height

1. Using a ¼" socket wrench, remove the five screws from the rear access panel and carefully pull the panel away from the drain hose.

2. Using a ⅜" or adjustable wrench, remove the screw that holds the rear wheel.

NOTE: Pushing up against the top back of the ice maker takes some of the weight off of the wheels. This makes it easier to remove the screws.

3. Move the rear wheel and screw to a new position as needed for your cabinet opening height. Tighten the screw completely.

4. Repeat Steps 2 and 3 to change the position of the wheel on the other side.

5. Replace the rear panel and screws. Be sure that the drain tube is positioned in the opening provided.

6. Use the front leveling legs to make sure the product is level.

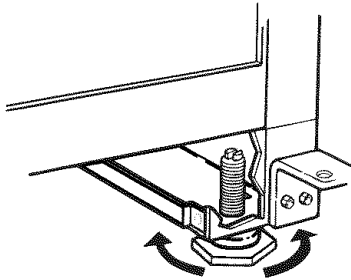
To adjust the front leveling legs

Your ice maker has two adjustable leveling legs to help you steady the product and make sure it is level.

SUGGESTION: It is easier to adjust the leveling legs if you have another person to assist you.

1. Place a carpenter's level on top of the product to see if the ice maker is level from front to back and side to side.
2. Push up on the top front of the ice maker, and then locate the leveling screws that are on the bottom front of the product.
3. Using an adjustable wrench, change the height of the legs as follows:
 - Turn the leveling leg to the right to lower that side of the ice maker.
 - Turn the leveling leg to the left to raise that side of the ice maker.

NOTE: The ice maker should not wobble. Use shims to add stability when needed.



4. Use a carpenter's level to re-check the ice maker to see that it is even from front to back and side to side. If the ice maker is not level, repeat Steps 2 & 3. If the ice maker is level, go to the "Connecting the Ice Maker to a Water Source" section.

Freestanding installation

If you are not installing your ice maker under a countertop, you will probably not need to adjust the rear wheel height. Follow the steps outlined in "To adjust the front leveling legs" earlier in this section.

NOTE: The ice maker should not wobble. Use shims to add stability when needed.

Connecting the Ice Maker to a Water Source

Read all directions carefully before you begin.

IMPORTANT:

- All installations must be in accordance with local plumbing codes requirements.
- Use copper tubing and check for leaks.
- Install copper tubing only in areas where temperatures will remain above freezing.

Tools required:

- Standard screwdriver
- $\frac{7}{16}$ " and $\frac{1}{2}$ " open-end wrenches or two adjustable wrenches
- $\frac{1}{4}$ " nut driver
- $\frac{1}{4}$ " drill bit
- Hand drill or electric drill properly grounded

NOTE: Your ice maker dealer has a kit available with a $\frac{1}{4}$ " saddle-type shut-off valve, a union, and copper tubing. Before purchasing, make sure a saddle-type valve complies with your local plumbing codes. Do not use a piercing-type or $\frac{3}{16}$ " (6mm) saddle valve which reduces water flow and clogs more easily.

Connecting the water line:

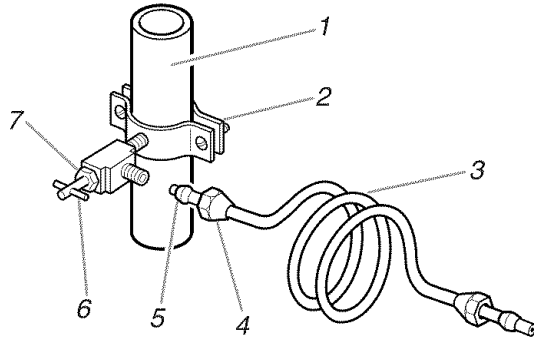
1. Turn **off** main water supply. Turn **on** nearest faucet long enough to clear line of water.
2. Find a $\frac{1}{2}$ " to $1\frac{1}{4}$ " vertical **cold** water pipe near the ice maker.

NOTE: Horizontal pipe will work, but the following procedure must be followed: Drill on the top side of the pipe, not the bottom. This will help keep water away from the drill. This also keeps normal sediment from collecting in the valve.

3. Using a grounded drill, drill a $\frac{1}{4}$ " (6 mm) hole in the cold water pipe you have selected.
4. Fasten shut-off valve to cold water pipe with pipe clamp. Be sure outlet end is solidly in the $\frac{1}{4}$ -inch drilled hole in the water pipe and that washer is under the pipe clamp. Tighten packing nut. Tighten the pipe clamp screws carefully and evenly so washer makes a watertight seal. Do not overtighten the pipe clamp or you may crush cold water pipe if it is soft copper tubing. Do not use a piercing-type or $\frac{3}{16}$ " saddle-type valve which reduces water flow and clogs more easily.

5. Now you are ready to connect the copper tubing. Use $\frac{1}{4}$ " (6mm) OD soft copper tubing for the cold water supply.

- Measure from the connection at the front of the ice maker to the cold water pipe. Add 3 feet to ensure that you have the proper length. This is the length of $\frac{1}{4}$ " (6mm) OD soft copper tubing you need for the job. Be sure both ends of the copper tubing are cut square.
- Slip compression sleeve and compression nut on copper tubing as shown. Insert end of tubing into outlet end squarely as far as it will go. Screw compression nut onto outlet end with adjustable wrench. Do not overtighten.



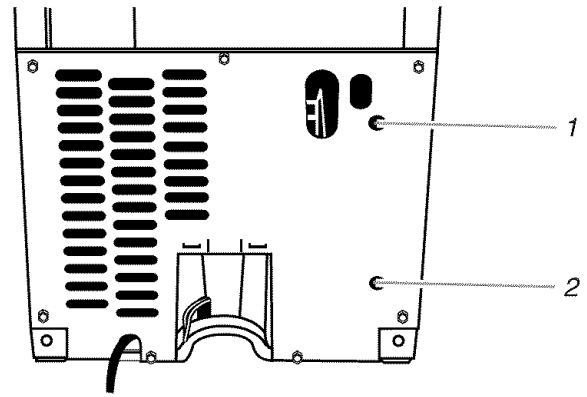
1. Cold Water Pipe
2. Pipe Clamp
3. Copper Tubing
4. Compression Nut
5. Compression Sleeve
6. Shut-Off Valve
7. Packing Nut

6. Place the free end of the tubing into a container or sink, and turn **on** main water supply and flush out tubing until water is clear. Turn **off** shut-off valve on the water pipe.

NOTE: Always drain the water line before making the final connection to the inlet of the water valve to prevent possible water valve malfunction.

7. Remove the two screws in the lower access panel and the two screws in the base grille area of the front panel support. Pull forward to remove the lower access panel.
8. Position the tubing so it can enter one of the two access holes located at the right-hand rear of the cabinet as shown. The tubing should extend beyond the cabinet front when the cabinet is pushed back into position. Move the ice maker into position.

REAR VIEW



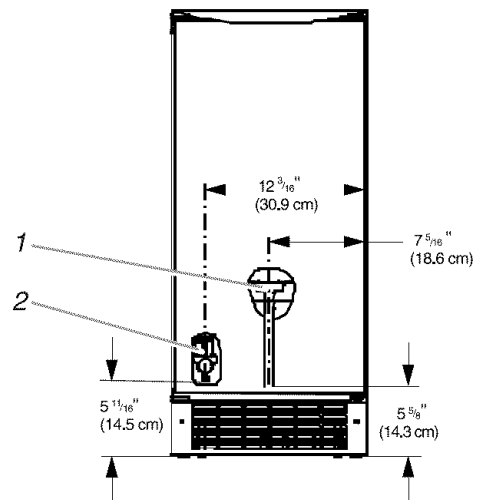
1. Upper Water Line Access Hole
2. Lower Water Line Access Hole

9. Bend the copper tubing to meet the water valve inlet on the water valve which is located in the front of the ice maker cabinet as shown.

10. Unscrew the water valve inlet cover, and attach the copper tubing with the compression sleeve and nut.

NOTE: To prevent rattling, be sure the copper tubing does not touch the cabinet's side wall or other parts inside the cabinet.

FRONT VIEW



1. Water Pan Drain
2. Water Valve

11. **Turn shut-off valve on. Check for leaks.** Tighten any connections (including connections at the valve) or nuts that leak. The ice maker is equipped with a built-in water strainer. If local water conditions require periodic cleaning or a well is your source of water supply, a second water strainer should be installed. Obtain a water strainer from your nearest appliance dealer and install it at either tube connection.

12. Replace the lower access panel and screws.

Connecting the drain

Gravity drain system

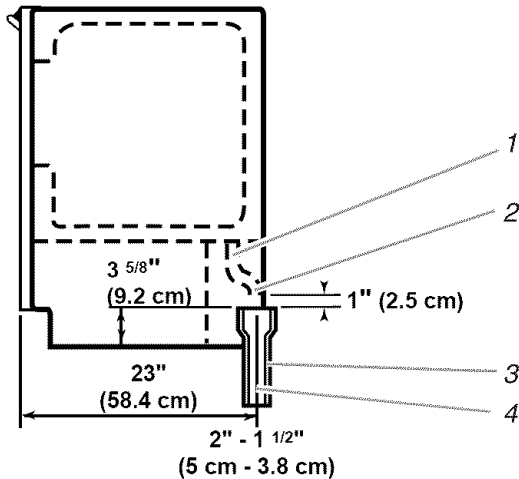
Connect the drain pump hose (provided with the product) to your drain in accordance with all state and local codes and ordinances. If the ice maker is provided with a gravity drain system, follow these guidelines when installing drain lines: (This will prevent water from flowing back into the ice maker storage bin and potentially flowing onto the floor causing water damage.)

- Drain lines must have a minimum of $\frac{5}{8}$ " (1.6 cm) inside diameter.
- Drain lines must have a 1" (2.5 cm) drop per 48" (122 cm) of run ($\frac{1}{4}$ " per foot [6mm per 30.5cm]) and must not have low points where water can settle.
- The floor drains must be large enough to accommodate drainage from all drains.
- The ideal installation has a standpipe with a 1½" to 2" PVC drain reducer installed directly below the outlet of the drain tube as shown. You must maintain a 1" air gap between the drain pump hose and the standpipe.
- It may be desirable to insulate the drain line thoroughly up to the drain inlet.

After ensuring that the drain system is adequate, follow these steps to properly place the ice maker:

1. Plug in ice maker or reconnect power.
2. Re-check the ice maker to be sure that it is level. See the "Leveling the Ice Maker" section.
3. Push the ice maker into position so that the ice maker drain tube is positioned over the PVC drain reducer.

SIDE VIEW



1. Drain Hose
2. 1" Air Gap
3. PVC Drain Reducer
4. Center of drain should be 23" (58.4 cm) from front of door (with or without the $\frac{3}{4}$ " (1.9 cm) panel on the door).

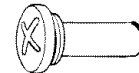
4. If it is required by your local sanitation code, seal the cabinet to the floor with an approved caulking compound after all water and electrical connections have been made.

Drain pump system (on some models)

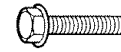
Connect the drain pump hose (provided with the product) to your drain in accordance with all state and local codes and ordinances.

Reversing the Door Swing

TOOLS NEEDED: $\frac{5}{16}$ " wrench, $\frac{1}{4}$ " wrench, flat putty knife, Phillips screwdriver



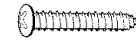
Hinge Pin



$\frac{5}{16}$ -inch Hex Head Hinge Screw



Handle Screw



Endcap Screw

To remove door from hinges:

1. Unplug ice maker or disconnect power.
2. Remove the handle screws and handle (on some models). Keep the parts together and set them aside.
3. Remove the hinge pin from the top hinge.
4. Remove the door from the hinges and screw the top hinge pin back into the top hinge.
5. Reverse the door endcaps as follows:
 - Remove both the screws and endcaps (top and bottom).
 - Place the top endcap on the bottom of the opposite side of the door with the long flat side facing the door front.
 - Place the bottom endcap on the top of the opposite side of the door with the long flat side facing the door front.
6. Set the door aside.

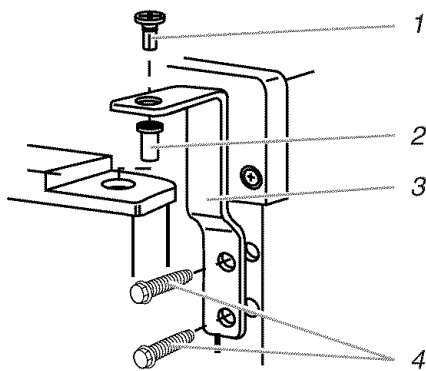
To reverse the hinges:

1. Unscrew and remove the top hinge. Replace the screws in the empty hinge holes.
2. Remove the screws from the bottom of the opposite side of the ice maker cabinet. Turn the top hinge upside down so that the hinge pin points up. Place the hinge on the bottom opposite side of the ice maker and tighten screws.
3. Remove the plastic hinge pin sleeve from the "old" bottom hinge and replace it on the new bottom hinge pin.
4. Remove the "old" bottom hinge screws and hinge. Replace the screws in the empty hinge holes.
5. Remove the screws from the top of the opposite side of the ice maker cabinet. Turn the hinge upside down so that the hinge pin points down. Place the hinge on the top opposite side of the ice maker and tighten the screws.
6. Remove the top hinge pin.

To replace door on hinges:

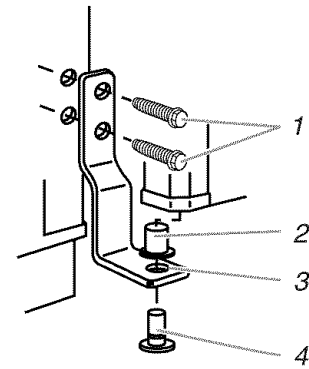
1. Place plastic hinge pin sleeve in the top hinge hole on the door. Align the door with the top hinge hole and replace the top hinge pin.
2. Replace the handle and handle screws.

Top Hinge



1. Hinge Pin
2. Hinge Pin Sleeve
3. Hinge
4. Hex Head Hinge Screw

Bottom Hinge



1. Hex Head Hinge Screw
2. Hinge Pin Sleeve
3. Hinge
4. Hinge Pin

To reverse the door catch:

1. Remove the hole plugs from the opposite side of the door and set aside.
2. Remove the screws from the magnetic door catch and replace it on the opposite side of the door.
3. Push the hole plugs into place on the opposite side of the door.
4. Plug in ice maker or reconnect power.

USING YOUR ICE MAKER

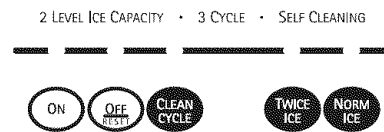
Understanding Sounds You May Hear

Your new ice maker may make sounds that are not familiar to you. Because the sounds are new to you, you might be concerned about them. Most of the new sounds are normal. Hard surfaces like the floor, walls and cabinets can make the sounds seem louder than they actually are. The following describes the kinds of sounds that might be new to you and what may be making them.

- You will hear a buzzing sound when the water valve opens to fill the water reservoir for each cycle.
- Rattling noises may come from the flow of the refrigerant or the water line. Items stored on top of the ice maker can also make noises.
- The high efficiency compressor may make a pulsating or high pitched sound.
- Water running over the evaporator plate may make a splashing sound.
- Water running from the evaporator plate to the water reservoir may make a splashing sound.
- As each cycle ends, you may hear a gurgling sound due to the refrigerant flowing in your ice maker.
- You may hear air being forced over the condenser by the condenser fan.
- During the harvest cycle, you may hear a “thud” when the ice sheet slides from the evaporator onto the cutter grid.
- When you first start the ice maker, you may hear water running continuously. The ice maker is programmed to run a rinse cycle before it begins to make ice.

Setting the Controls

1. To start ice production, select ON. Allow 24 hours to produce the first batch of ice, and discard the first three batches of ice produced.
 - To start the normal ice making cycle, select ON. Press the NORM ICE switch. Normal ice production should produce approximately 25 lbs. of ice in a 24-hour period.
 - To start the maximum ice production cycle, select ON. Press the TWICE ICE switch. The ice maker will then produce approximately 50 lbs. of ice in a 24-hour period. This cycle should be selected when you have an upcoming need for a lot of clear, clean ice and the ice bin is low to empty.
2. To stop ice maker operation, select OFF.



NOTE: The CLEAN CYCLE setting is used whenever solutions are circulated through the ice maker for cleaning. Only the water pump and compressor operate at this setting. See the “Cleaning the Ice Maker System” section.

CARING FOR YOUR ICE MAKER

Periodically inspect and clean the ice maker to keep it operating at peak efficiency and to prevent premature failure of system components.

Both the ice making system and the air cooled condenser need to be cleaned regularly.

The minerals rejected from the circulating water during the freezing cycle will eventually form a hard scaly deposit in the water system which prevents a rapid release of the ice from the freezing plate.

Clean the ice and water system periodically to remove mineral scale buildup. Frequency of cleaning depends on water hardness. With hard water (15 to 20 grains/gal. [4 to 5 grains/liter]), cleaning may be required as frequently as every 6 months.

Cleaning Exterior Surfaces

Wash the exterior enamel surfaces and gaskets with warm water and mild soap or detergent. Wipe and dry. Regular use of a good household appliance cleaner and wax will help protect the finish. Do not use abrasive cleaners on enamel surfaces as they may scratch the finish.

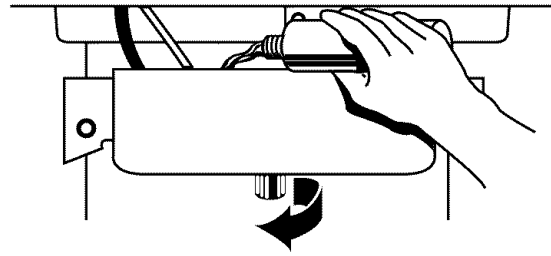
For products with a stainless steel exterior, use a clean sponge or soft cloth and a mild detergent in warm water. Do not use abrasive or harsh cleaners.

Cleaning the Ice Maker System

Note: Use one 16 oz. (473 ml) bottle of NU-CALGON* Nickel Safe Ice Machine Cleaner.

1. Push the selector switch to OFF.
2. Wait 5 to 10 minutes for the ice to fall into the storage bin. Remove all ice from the storage bin.
3. Unscrew the drain cap from the bottom of the water pan located inside the storage bin as shown. Allow the water to drain completely.
4. Replace the drain cap.
5. Read and follow all handling information on the cleaner bottle before completing the steps below. Use one 16 oz. (473 ml) bottle of NU-CALGON* Nickel Safe Ice Machine Cleaner.

6. Pour one bottle of solution into the water pan. Fill the bottle twice with tap water and pour it into the water pan.



7. Push the selector switch to CLEAN. (See the "Setting the Controls" section.) The light will turn on, indicating that the cleaning cycle is in process. When the indicator light turns off (approximately 45 minutes), the cleaning cycle is complete. During the cleaning cycle, the system will both clean and rinse itself.
8. After the cleaning cycle is complete, remove the drain cap from the water pan to see if any cleaning solution is left in the water pan. If cleaning solution drains from the water pan, you should run the clean cycle again.

NOTE: Severe scale buildup may require repeated cleaning with a fresh quantity of cleaning solution.

9. Push the selector switch to ON to resume ice production.

Cleaning the Condenser

⚠ WARNING



Electrical Shock Hazard

Disconnect power before cleaning.

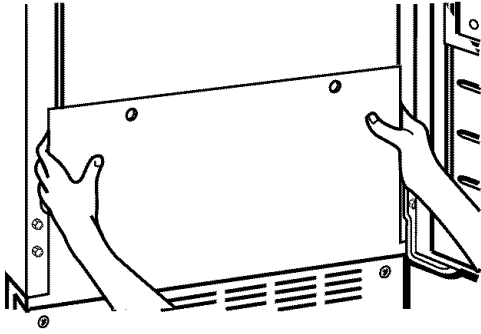
Replace all panels before operating.

Failure to do so can result in death or electrical shock.

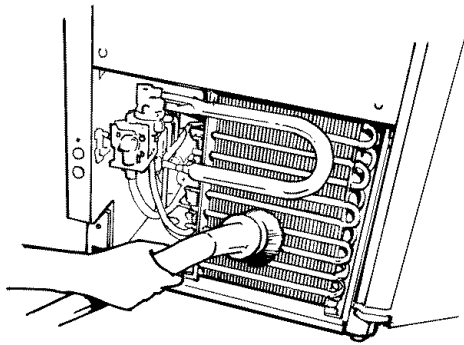
A dirty or clogged condenser:

- Prevents proper airflow.
 - Reduces ice making capacity.
 - Causes higher than recommended operating temperatures which may lead to component failure.
1. Unplug ice maker or disconnect power.
 2. Remove the two screws in the lower access panel and the two screws from the base grille area of the front panel support. Pull forward to remove the lower access panel.

- Pull the bottom forward and then pull down to remove the lower access panel.



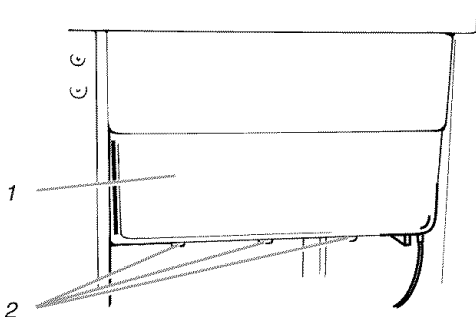
- Remove dirt and lint from the condenser fins and the unit compartment with a brush attachment on a vacuum cleaner.



- Replace the lower access panel using the four screws.
- Plug in ice maker or reconnect power.

Cleaning the Interior Components

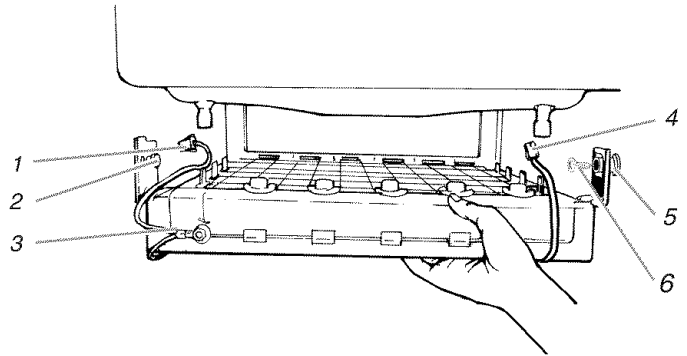
- Unplug ice maker or disconnect power.
- Open the storage bin door and remove any ice that is in the bin.
- Remove the drain cap from the water pan and drain thoroughly. Replace the drain cap.
- Remove the three screws that hold the cutter grid cover in place.
- Unplug the wiring harness from the left side of the cutter grid.



1. Cutter Grid Cover
2. Screws

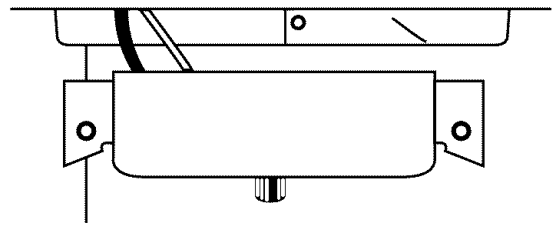
- Unplug the ice level sensor from the right side of the cutter grid. Pull the ice level sensor down and forward away from the cutter grid.
- Remove the right-hand screw and loosen the left-hand screw. Lift the cutter grid up and out and over the left-hand screw.

NOTE: Make sure the plastic spacer from the right-hand side of the cutter grid bracket stays with the cutter grid.



1. Cutter Grid Harness
2. Screw
3. Cutter Grid
4. Ice Level Sensor Harness
5. Plastic Spacer
6. Screw

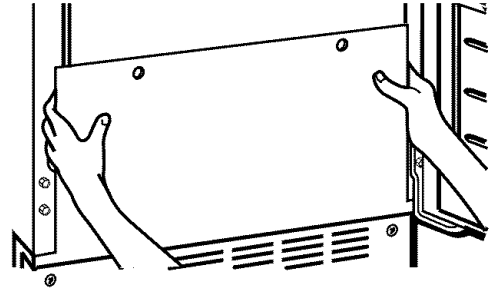
- Remove the two screws that hold the water pan in place. Push down with one hand on the front of the pan while pulling forward on the bottom back side.



- Wash the interior components (cutter grid, exterior of hoses, and water pan) and the storage bin, door gasket, and ice scoop with mild soap or detergent and warm water. Rinse in clean water. Then clean the same parts with a solution of 1 tablespoon (15 mL) of household bleach in 1 gallon (3.8 L) warm water. Rinse again thoroughly in clean water.

NOTE: Do not remove hoses. Do not wash plastic parts in dishwasher. They cannot withstand temperatures above 145°F (63°C).

10. Replace water pan by pushing back on the bottom with one hand while pushing up and back on the top. Secure the water pan by replacing both screws.
11. Check the following:
 - Drain cap from the water pan is in place.
 - Hose from water pan is inserted into storage bin drain opening.
12. Slide the cutter grid back into place and secure it by replacing the right-hand screw and plastic spacer. Then tighten the left-hand screw. Reconnect the cutter grid and ice level sensor harnesses.
13. Plug in ice maker or reconnect power.



5. Disconnect the inlet and outlet lines to water valve. Allow these lines to drain and then reconnect to the valve.
6. Replace lower access panel and screws.
7. Drain water from water pan by removing the drain cap.
8. If the room temperature will drop below 32° F (0° C), remove water from the drain line.

For ice makers with a drain pump installed:

- a) Plug in ice maker or reconnect power.
- b) Turn ice maker off and remove all remaining ice from ice bin.
- c) Pour 1 quart of water into the ice bin near the drain and let the unit stand for approximately five minutes. This will allow the water in the bin to drain into the drain pump so that the pump will remove the remaining water from the ice bin and the drain pump.
- d) Unplug ice maker or disconnect power.

9. Before using again, clean the ice maker and storage bin.
10. Plug in ice maker or reconnect power.

NOTE: All components of the ice maker are permanently lubricated at the factory. They should not require any additional oiling throughout the normal life of the machine.

Vacation and Moving Care

⚠ WARNING



Electrical Shock Hazard

**Disconnect power before servicing.
Replace all panels before operating.
Failure to do so can result in death or electrical shock.**

To shut down the ice maker:

1. Unplug ice maker or disconnect power.
2. Remove all ice from storage bin.
3. Shut off the water supply.
4. Remove the two screws in the lower access panel and the two screws from the base grille area of the front panel support. Pull forward to remove the lower access panel.

TROUBLESHOOTING

Try the solutions suggested here first in order to avoid the cost of an unnecessary service call.

Unit does not run

- **Is the control set to ON?**
Be sure that the control is set to ON.
 - **Is the power cord plugged in?**
Firmly plug the cord into a live outlet with proper voltage.
 - **Has a household fuse or circuit breaker tripped?**
Replace the fuse or reset the circuit.
 - **Is the room temperature cooler than normal?**
Room temperature must be above 55°F (13°C). Otherwise, bin thermostat may sense cold room temperature and shut off even though bin is not full of ice. Also, unit may not restart once it does shut off.
-

Unit runs but produces no ice

- **Is the control set to ON?**
Be sure that the control is set to ON.
 - **Is the water supply connected?**
Make sure the water supply is properly connected and turned on.
-

Unit runs but produces very little ice

- **Is the room temperature hotter than normal?**
Room temperatures of more than 90°F (32°C) will normally reduce ice production.
 - **Is the condenser dirty?**
Dirt or lint may be blocking the airflow through the condenser. See the "Cleaning the Condenser" section.
 - **Is there scale buildup in the ice maker?**
If there is white scale buildup in the ice maker's water or freezing system, you should clean the ice maker. See the "Cleaning the Ice Maker System" and the "Cleaning the Interior Components" sections.
-

Grid is not cutting ice sheets

- **Is the cutter grid securely in place?**
Unplug the ice maker or disconnect power. Remove the cutter grid cover and check the cutter grid harness plug to make sure the connection is secure.
-

Taste in ice cubes

- **Is there unusually high mineral content in the water supply?**
The water may need to be filtered or treated.
 - **Are there food items stored in the ice bin?**
Do not store any foods in the ice bin.
 - **Were all the packaging materials removed?**
Make sure that all packaging materials were removed at the time of installation.
-

Notes

ÍNDICE

GARANTÍA	17
SEGURIDAD DE LA FÁBRICA DE HIELO.....	18
PARTES Y CARACTERÍSTICAS.....	19
INSTALACIÓN DE SU FÁBRICA DE HIELO.....	20
Cómo desempacar la fábrica de hielo	20
Requisitos de espacio	20
Requisitos eléctricos	21
Nivelación de la fábrica de hielo	21
Conexión de la fábrica de hielo a un suministro de agua.....	22
Cómo invertir el cierre de la puerta.....	25
USO DE SU FÁBRICA DE HIELO.....	26
Cómo interpretar los sonidos que usted pudiera escuchar	26
Ajuste de los Controles	27
CUIDADO DE SU FÁBRICA DE HIELO	27
Limpieza de las superficies exteriores.....	27
Limpieza del sistema de la fábrica de hielo.....	27
Limpieza del condensador.....	28
Limpieza de las piezas interiores.....	29
Cuidado durante las vacaciones o mudanzas.....	30
SOLUCIÓN DE PROBLEMAS	31

GARANTÍA

GARANTÍA COMPLETA DE UN AÑO PARA LA FÁBRICA DE HIELO

Durante un año a partir de la fecha de compra, siempre y cuando el uso y mantenimiento de la fábrica de hielo esté de acuerdo a las instrucciones que la acompañan o se suministran con la misma, Sears reparará esta fábrica de hielo, sin cargo, si tuviera defectos de material o de fabricación.

GARANTÍA LIMITADA DE UN AÑO PARA LA FÁBRICA DE HIELO

Durante un año a partir de la fecha de compra, cuando se emplee la fábrica de hielo para uso comercial, con un funcionamiento y mantenimiento de acuerdo con las instrucciones que la acompañan o se suministran con la misma, Sears proporcionará, sin cargo, las piezas de repuesto para reemplazar cualquier parte que tuviese defectos de material o de fabricación. Usted será responsable de los gastos de mano de obra.

GARANTÍA COMPLETA DE CINCO AÑOS PARA EL SISTEMA DE REFRIGERACIÓN SELLADO.

Durante cinco años a partir de la fecha de compra, siempre y cuando el uso y mantenimiento de la fábrica de hielo esté de acuerdo con las instrucciones adjuntas o provistas con la fábrica de hielo, Sears reparará el sistema sellado (que consiste en: refrigerante, tuberías de conexión y el motor compresor), sin cargo, si éste tuviera defectos de material o de fabricación.

EL SERVICIO DE LA GARANTÍA ESTÁ A SU DISPOSICIÓN AL PONERSE EN CONTACTO CON EL CENTRO DE SERVICIO SEARS MÁS CERCANO EN LOS ESTADOS UNIDOS O EN CANADÁ.

Esta garantía corresponde únicamente mientras se use este producto en los Estados Unidos o en Canadá. Esta garantía le otorga derechos legales específicos, y es posible que usted tenga también otros derechos, los cuales varían de un estado a otro o de una provincia a otra.

Las condiciones de la garantía pueden ser diferentes en Canadá. Póngase en contacto con el Centro de Servicio Sears de su localidad para obtener detalles completos.

**Sears, Roebuck and Co.
D/817WA, Hoffman Estates, IL 60179**

Sears Canada, Inc., Toronto, Ontario, Canada M5B 2B8

En el siguiente espacio anote los números de modelo, de serie y fecha de compra completos de su electrodoméstico. Podrá encontrar esta información en la etiqueta con el número del modelo y de serie, ubicada tal como se indica en la sección de "Partes y características" de este manual.

Siempre que se ponga en contacto con Sears respecto a su fábrica de hielo, tenga esta información a mano para obtener asistencia o servicio con mayor rapidez

Número del modelo **106.** _____

Número de serie _____

Fecha de compra _____

Guarde estas instrucciones junto con su comprobante de venta para referencia en el futuro.

SEGURIDAD DE LA FÁBRICA DE HIELO

Su seguridad y la seguridad de los demás es muy importante.

Hemos incluido muchos mensajes importantes de seguridad en este manual y en su electrodoméstico. Lea y obedezca siempre todos los mensajes de seguridad.



Este es el símbolo de advertencia de seguridad.

Este símbolo le llama la atención sobre peligros que pueden ocasionar la muerte o una lesión a usted y a los demás.

Todos los mensajes de seguridad irán precedidos por el símbolo de advertencia de seguridad y la palabra "PELIGRO" o "ADVERTENCIA". Estas palabras significan:

⚠ PELIGRO

Si no sigue las instrucciones, usted morirá o sufrirá una lesión grave.

⚠ ADVERTENCIA

Si no sigue las instrucciones, usted puede morir o sufrir una lesión grave.

Todos los mensajes de seguridad identificarán el peligro, le informarán cómo reducir las posibilidades de sufrir una lesión y lo que puede suceder si no siguen las instrucciones.

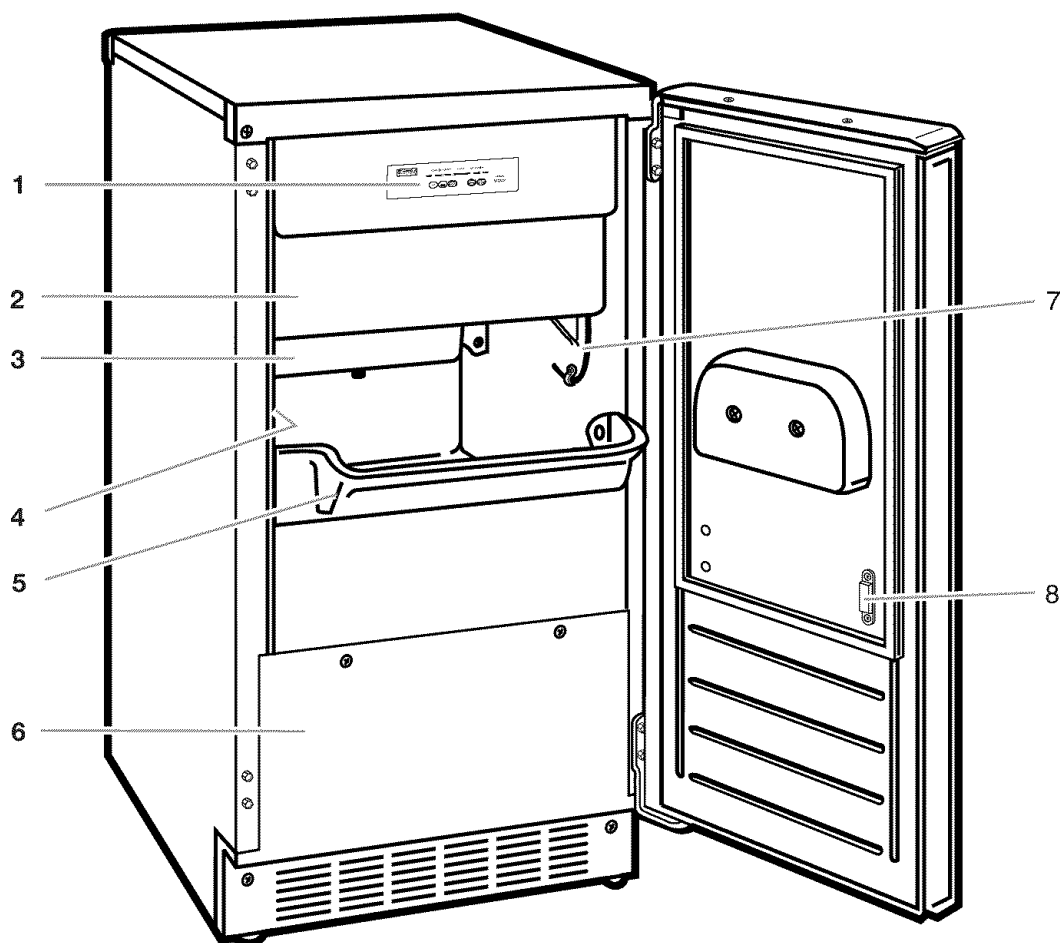
INSTRUCCIONES IMPORTANTES DE SEGURIDAD

ADVERTENCIA: Para reducir el riesgo de incendio, choque eléctrico o lesiones personales al usar la fábrica de hielo, siga estas precauciones básicas:

- Conecte a un contacto de pared de conexión a tierra de 3 terminales.
- No quite el terminal de conexión a tierra.
- No use un adaptador.
- No use un cable eléctrico de extensión.
- Desconecte el suministro de energía antes de limpiarlo.
- Desconecte el suministro de energía antes de darle servicio.
- Vuelva a colocar todos los paneles antes de hacer funcionar.
- Use dos o más personas para mover e instalar la fábrica de hielo.

GUARDE ESTAS INSTRUCCIONES

PARTES Y CARACTERÍSTICAS



- | | |
|---|----------------------------------|
| 1. Panel de control | 5. Placa contenedora de hielo |
| 2. Tapa de la rejilla de corte | 6. Panel de acceso inferior |
| 3. Bandeja del agua | 7. Sensor de nivel del hielo |
| 4. Etiqueta con el número del modelo y de la serie (en la pared izquierda del gabinete) | 8. Seguro magnético de la puerta |

INSTALACIÓN DE SU FÁBRICA DE HIELO

Cómo desempacar la fábrica de hielo de hielo

⚠️ ADVERTENCIA

Peligro de Peso Excesivo

Use dos o más personas para mover e instalar la fábrica de hielo.

No seguir esta instrucción puede ocasionar una lesión en la espalda u otro tipo de lesiones.

Cómo quitar los materiales de empaque

IMPORTANTE: No quite ninguna etiqueta con instrucciones permanentes que estén dentro de la fábrica de hielo o la ficha técnica que viene sujeta detrás del panel de acceso inferior.

- Quite la cinta y todas las etiquetas de su fábrica de hielo antes de usarla (excepto la etiqueta con el número de modelo y de la serie).

Para eliminar los residuos de cinta o goma, frote el área enérgicamente con su dedo pulgar. Los residuos de la cinta adhesiva o goma también pueden quitarse frotando un poco de detergente líquido para vajillas con los dedos. Limpie con agua tibia y seque.

- No use instrumentos filosos, alcohol para fricciones, líquidos inflamables, o productos de limpieza abrasivos para eliminar los restos de cinta o goma. Estos productos pueden dañar la superficie de su fábrica de hielo. Para obtener más información, consulte la sección "Instrucciones importantes de seguridad."

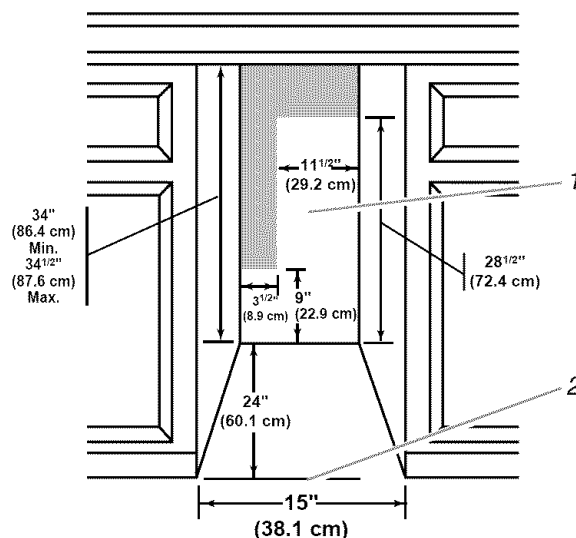
Limpieza antes del uso

Luego de quitar todos los materiales de empaque, limpie el interior de su fábrica de hielo antes de usarla. Consulte las instrucciones de limpieza en la sección "Cuidado de su fábrica de hielo."

Requisitos de espacio

- Para asegurar la ventilación adecuada de su fábrica de hielo, la parte del frente debe mantenerse completamente libre de obstrucciones. La parte superior y los tres lados de la unidad pueden estar cerrados, pero la instalación debe ser hecha de manera que la fábrica de hielo pueda ser movida hacia adelante para hacerle el servicio, si fuera necesario.
- La instalación de la fábrica de hielo requiere una entrada de suministro de agua con tubería de cobre blando de ¼ de pulgada (6 mm) de diámetro exterior y una válvula de cierre, así como también un sistema de desagüe por gravedad o una bomba condensadora para llevar el agua a un desagüe ya existente.
- Elija un área bien ventilada con temperaturas por encima de los 55°F (13°C) y por debajo de los 100°F (38°C). Los mejores resultados se logran con temperaturas que oscilan entre 70°F (21°C) y 90°F (32°C). Esta unidad DEBE ser instalada en un área protegida de las inclemencias del tiempo, tales como el viento, lluvia, rocío de agua o goteras.
- Cuando instale la fábrica de hielo debajo de una encimera, siga las dimensiones de abertura recomendadas que se ilustran a continuación. Coloque accesorios eléctricos o de plomería en la zona recomendada como se indica.

NOTA: No deje que el cable eléctrico se tuerza o quede atrapado entre la fábrica de hielo y el gabinete.



1. Zona recomendada para accesorios eléctricos y de plomería.

2. Nivel del piso

- Usted deberá elegir una ubicación donde el piso esté nivelado. Es importante que la fábrica de hielo esté nivelada para su funcionamiento adecuado. De ser necesario, usted puede regular la altura de la fábrica de hielo cambiando la posición de las ruedas traseras. Consulte la sección "Nivelación de la fábrica de hielo."

Requisitos eléctricos

⚠ ADVERTENCIA



Peligro de Choque Eléctrico

Conecte a un contacto de pared de conexión a tierra de 3 terminales.

No quite el terminal de conexión a tierra.

No use un adaptador.

No use un cable eléctrico de extensión.

No seguir estas instrucciones puede ocasionar la muerte, incendio o choque eléctrico.

Antes de trasladar la fábrica de hielo a su ubicación final, es importante cerciorarse de que tenga la conexión eléctrica apropiada:

Se requiere un circuito de suministro eléctrico con fusibles de 15 Amp., de 115V, 60 Hz, de CA solamente, conectado adecuadamente a tierra de acuerdo con el Código Nacional de Electricidad y con las normas y códigos locales.

Se recomienda tener un circuito separado que sirva sólo para la fábrica de hielo. Use un receptáculo que no pueda ser desconectado con un interruptor o con un conmutador a cadena.

Método recomendado para la conexión a tierra

Para su seguridad personal este electrodoméstico debe ser conectado a tierra. Este electrodoméstico está equipado con un cable eléctrico provisto de un enchufe de tres terminales conectado a tierra. Para reducir el peligro de posibles choques eléctricos, el cable debe ser enchufado en un contacto apropiado de pared de tres terminales, conectado a tierra de acuerdo con el Código Nacional de Electricidad y con los códigos y normas locales. Si no hubiera un contacto de pared adecuado, el cliente tiene la responsabilidad de contratar a un electricista calificado para instalar un contacto de pared apropiado de tres terminales con conexión a tierra.

Nivelación de la fábrica de hielo

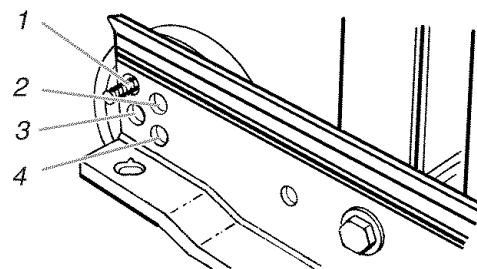
Es importante que la fábrica de hielo esté nivelada para funcionar de manera apropiada. Dependiendo del lugar donde instale su fábrica de hielo, quizás necesite hacer algunos ajustes para nivelarla.

Herramientas necesarias

- Nivel de carpintero
- Llave inglesa ajustable
- Llave de cubo de ¼ de pulgada

Instalación debajo de la encimera

Si usted va a instalar la fábrica de hielo debajo de una encimera, quizás necesite ajustar la altura de la fábrica de hielo. Las ruedas traseras regulables están prefijadas a la posición 1 para una altura de abertura del gabinete de 34 pulgadas (86.4 cm).



1. Para una altura recortable de 34 pulgadas (86.4 cm)

2. Para una altura recortable de 34¹/₈ pulgadas (86.7 cm)

3. Para una altura recortable de 34¹/₄ pulgadas (87.2 cm)

4. Para una altura recortable de 34¹/₂ pulgadas (87.6 cm)

Para regular la altura de la rueda trasera

1. Usando una llave de cubo de ¼ de pulgada, quite los cinco tornillos del panel de acceso posterior y con cuidado jale el panel lejos de la manguera de desagüe.
2. Usando una llave inglesa ajustable o de 3/8 de pulgada, quite el tornillo que sostiene la rueda trasera.

NOTA: Empujar contra la parte posterior superior de la fábrica de hielo quita el peso de las ruedas. Esto simplifica el quitar los tornillos.

3. Mueva la rueda trasera y el tornillo a una nueva posición según se necesite para la altura de abertura del gabinete. Ajuste el tornillo por completo.
4. Repita los pasos 2 y 3 para cambiar la posición de la rueda al otro lado.
5. Vuelva a colocar el panel posterior y los tornillos. Asegúrese de que el tubo de desagüe esté posicionado en la abertura prevista.
6. Use las patas niveladoras delanteras para asegurarse de que el producto esté nivelado.

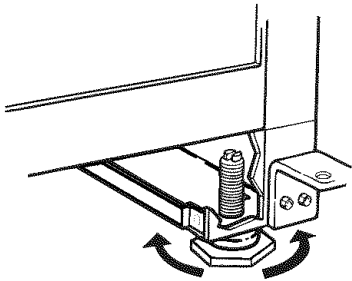
Para regular las patas niveladoras delanteras

Su fábrica de hielo tiene dos patas niveladoras regulables para ayudarle a estabilizar el electrodoméstico y cerciorarse de que está nivelado.

SUGERENCIA: Es más fácil regular las patas niveladoras si tiene otra persona que le ayude.

1. Coloque un nivel de carpintero en la parte superior del electrodoméstico para ver si la fábrica de hielo está nivelada del frente hacia atrás y de lado a lado.
2. Empuje hacia arriba en la parte superior frontal de la fábrica de hielo, y luego ubique los tornillos niveladores que están en la parte inferior frontal del electrodoméstico.
3. Usando una llave inglesa ajustable, cambie la altura de las patas como sigue:
 - Gire la pata niveladora a la derecha para bajar ese lado de la fábrica de hielo.
 - Gire la pata niveladora a la izquierda para levantar ese lado de la fábrica de hielo.

NOTA: La fábrica de hielo no debe bambolear. Use cuñas para aumentar la estabilidad cuando sea necesario.



4. Use un nivel de carpintero para volver a revisar la fábrica de hielo y cerciorarse si está nivelada del frente hacia atrás y de lado a lado. Si la fábrica de hielo no está nivelada, repita los pasos 2 y 3. Si la fábrica de hielo está nivelada, consulte la sección "Conexión de la fábrica de hielo a un suministro de agua."

Instalación no empotrada

Si no va a instalar su fábrica de hielo debajo de una encimera, quizás no va a necesitar regular la altura de la rueda trasera. Siga los pasos indicados anteriormente en "Para regular las patas niveladoras delanteras" de esta sección.

NOTA: La fábrica de hielo no debe bambolear. Use cuñas para aumentar la estabilidad cuando sea necesario.

Conexión de la fábrica de hielo a un suministro de agua

Lea todas las instrucciones cuidadosamente antes de comenzar.

IMPORTANTE:

- Todas las instalaciones deben efectuarse de conformidad con los requisitos de los códigos de plomería locales.
- Use tubería de cobre y revise si hay fugas.
- Instale la tubería de cobre sólo en áreas donde las temperaturas permanezcan encima del punto de congelación.

Herramientas necesarias:

- Destornillador estándar
- Llaves de boca de $\frac{7}{16}$ de pulgada y $\frac{1}{2}$ pulgada o dos llaves inglesas ajustables
- Llave para tuercas de $\frac{1}{4}$ de pulgada
- Broca de $\frac{1}{4}$ de pulgada
- Taladro manual o taladro eléctrico debidamente conectado a tierra

NOTA: El distribuidor de su fábrica de hielo tiene un juego disponible que consta de una válvula de cierre del tipo montura de $\frac{1}{4}$ de pulgada, una conexión y tubería de cobre. Antes de comprar, asegúrese de que la válvula del tipo montura cumple con los códigos de plomería locales. No use válvulas del tipo perforado o de montura de $\frac{3}{16}$ de pulgada (6 mm), las cuales reducen el flujo de agua y se obstruyen con mayor facilidad.

Conexión al suministro de agua:

1. Cierre el suministro principal del agua. Abra el grifo más cercano el tiempo suficiente para limpiar la tubería del agua.
2. Localice un tubo de agua FRÍA vertical de $\frac{1}{2}$ de pulgada a $1\frac{1}{4}$ pulgada cerca de la fábrica de hielo.

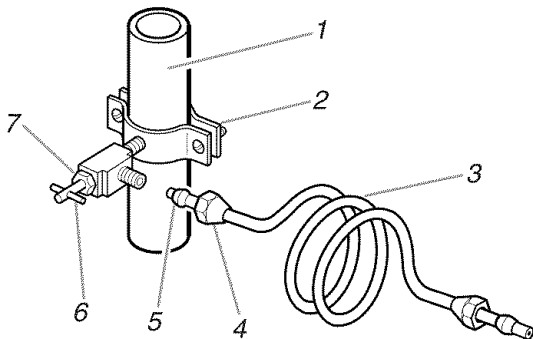
NOTA: Un tubo horizontal también funcionará pero se deberá hacer el siguiente procedimiento: Perfore en el lado superior del tubo, no la parte inferior. Esto ayudará a mantener el agua lejos de la perforación. También evita que el sedimento normal se acumule en la válvula.

3. Usando un taladro conectado a tierra, perfore un agujero de $\frac{1}{4}$ de pulgada (6mm) en el tubo de agua fría que usted ha seleccionado.

4. Sujete la válvula de cierre al tubo de agua fría empleando la abrazadera para sujetar tubos. Asegúrese de que el extremo de salida esté bien encajado en el agujero perforado de $\frac{1}{4}$ de pulgada en el tubo de agua y que la arandela esté debajo de la abrazadera del tubo. Ajuste la tuerca de presión. Ajuste los tornillos de la abrazadera del tubo con cuidado y de manera uniforme de modo que la arandela sirva de sello hermético al agua. No ajuste demasiado la abrazadera del tubo de lo contrario podría aplastar el tubo de agua fría si se trata de tubería de cobre blando. No use válvulas del tipo perforado o de montura de $\frac{3}{16}$ de pulgada, las cuales reducen el flujo de agua y se obstruyen con mayor facilidad.

5. Ahora está listo para conectar la tubería de cobre. Use una tubería de cobre blando de $\frac{1}{4}$ de pulgada (6 mm) de diámetro exterior para el abastecimiento de agua fría.

- Mida desde la conexión al frente de la fábrica de hielo hasta el tubo de agua fría. Agregue 3 pies para asegurarse de que tenga la longitud adecuada. Esta es la longitud de la tubería de cobre blando de $\frac{1}{4}$ de pulgada (6mm) de diámetro exterior que usted necesita para efectuar el trabajo. Cerciórese de que ambos extremos de la tubería de cobre estén cortados en ángulo recto.
- Deslice el manguito de compresión y la tuerca de compresión en la tubería de cobre según se ilustra. Introduzca el extremo de la tubería en el extremo de salida en ángulo recto hasta donde sea posible. Atornille la tuerca de compresión con el extremo de salida usando la llave inglesa ajustable. No ajuste demasiado.



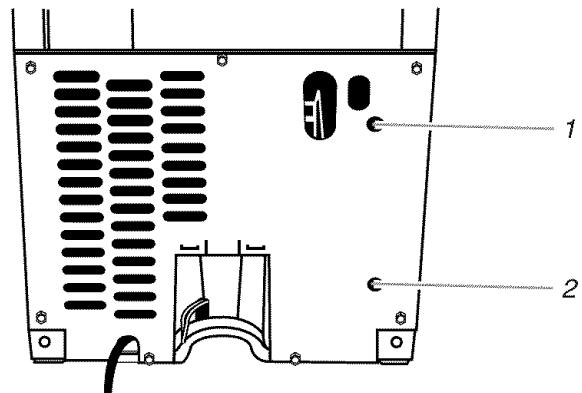
1. Tubo de agua fría
2. Abrazadera para sujetar tubos
3. Tubería de cobre
4. Tuerca de compresión
5. Manguito de compresión
6. Válvula de cierre
7. Tuerca de presión

6. Coloque el extremo libre de la tubería en un recipiente o un fregadero y abra el suministro principal del agua y deje correr el agua por la tubería hasta que el agua salga limpia. Cierre la válvula de cierre del tubo de agua.

NOTA: Siempre desagüe el suministro de agua antes de efectuar la conexión final al orificio de entrada de la válvula de agua para evitar un probable mal funcionamiento de la válvula de agua.

7. Quite los dos tornillos que están en el panel de acceso inferior y los dos tornillos que están en el área de la rejilla de la base del soporte del panel frontal. Jale hacia adelante para quitar el panel de acceso inferior.
8. Coloque la tubería de modo que pueda entrar en uno de los dos orificios de acceso ubicados en la parte posterior derecha del gabinete según se ilustra. La tubería deberá sobresalir del frente del gabinete cuando éste se empuje hacia atrás a su lugar. Traslade la fábrica de hielo a su lugar.

VISTA POSTERIOR

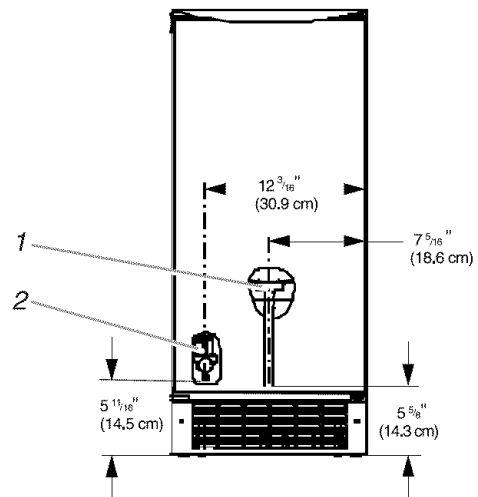


1. Orificio superior de acceso al suministro de agua
2. Orificio inferior de acceso al suministro de agua

9. Doble la tubería de cobre para poder encajar en el orificio de entrada de la válvula de agua en la válvula de agua, que está ubicado en la parte frontal del gabinete de la fábrica de hielo, según se ilustra.
10. Destornille la tapa del orificio de entrada de la válvula de agua y conecte la tubería de cobre con el manguito y la tuerca de compresión.

NOTA: Para evitar ruidos molestos, asegúrese de que la tubería de cobre no toque la pared lateral del gabinete u otras partes dentro del gabinete.

VISTA FRONTAL



1. Desagüe de la bandeja del agua
2. Válvula del agua

11. Abra la válvula de cierre. Revise si hay fugas. Ajuste las conexiones (incluso las de la válvula) o tuercas que tienen fugas. La fábrica de hielo está equipada con un filtro de agua incorporado. Si las condiciones del agua local requieren una limpieza periódica o tiene un pozo como fuente de abastecimiento de agua, deberá instalar un segundo filtro de agua. Adquiera un filtro de agua del distribuidor de electrodomésticos más cercano e instálelo en cualquiera de las conexiones del tubo.

12. Vuelva a colocar el panel de acceso inferior y los tornillos.

Conexión con el desagüe

Sistema de desagüe por gravedad

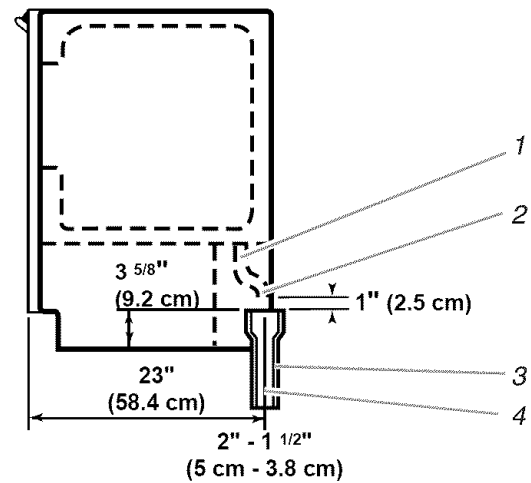
Conecte la manguera de la bomba de desagüe (que viene con el producto) a su desagüe de conformidad con todos los códigos y ordenanzas locales y estatales. Si la fábrica de hielo viene con un sistema de desagüe por gravedad, siga estas directrices cuando instale las líneas de desagüe: (Esto evitará que el agua regrese al cajón de almacenaje de la fábrica de hielo y probablemente caiga en el piso ocasionando daños.)

- Las líneas de desagüe deben tener un mínimo de $\frac{5}{8}$ de pulgada (1.6 cm) de diámetro interno.
- Las líneas de desagüe deben tener una caída de 1 pulgada (2.5 cm) por 48 pulgadas (122 cm) de recorrido ($\frac{1}{4}$ de pulgada por pie [6 mm por 30.5 cm]) y no debe tener puntos bajos donde el agua pueda asentarse.
- Los desagües por el piso deben ser lo suficientemente grandes para acomodar todos los desagües.
- La instalación ideal tiene un tubo vertical con un reductor de desagüe de PVC de $1\frac{1}{2}$ pulgada a 2 pulgadas instalado directamente debajo del orificio de salida del tubo de desagüe según se ilustra. Usted debe mantener un espacio de aire de 1 pulgada entre la manguera de la bomba de desagüe y el tubo vertical.
- Sería ideal aislar la línea de desagüe completamente hasta el orificio de entrada del desagüe.

Luego de asegurarse de que el sistema de desagüe es el adecuado, siga estos pasos para colocar la fábrica de hielo en un lugar apropiado:

1. Enchufe la fábrica de hielo o vuelva a conectar el suministro de energía.
2. Vuelva a revisar la fábrica de hielo para asegurarse de que esté nivelada. Consulte la sección "Nivelación de la fábrica de hielo."
3. Empuje la fábrica de hielo hasta dejarla bien ubicada de modo que el tubo de desagüe de la fábrica de hielo esté ubicada encima del reductor de desagüe de PVC.

VISTA LATERAL



1. Manguera de desagüe
2. Espacio de aire de 1 pulgada
3. Reductor de desagüe de PVC
4. El centro del desagüe debe ser 23 pulgadas (58.4 cm) desde el frente de la puerta con o sin el panel de $\frac{3}{4}$ de pulgada (1.9 cm) en la puerta.

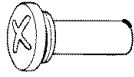
4. Si el código de higiene local lo requiere, selle el gabinete al piso con un compuesto de enmasillado aprobado después de haber efectuado todas las conexiones eléctricas y de agua.

Sistema de la bomba de desagüe (en algunos modelos)

Conecte la manguera de la bomba de desagüe (que viene con el producto) a su desagüe de conformidad con todos los códigos y ordenanzas locales y estatales.

Cómo invertir el cierre de la puerta

HERRAMIENTAS NECESARIAS: llave inglesa de $\frac{5}{16}$ de pulgada, llave inglesa de $\frac{1}{4}$ de pulgada, espátula, destornillador Phillips.



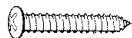
Pasador de bisagra



Tornillo de cabeza hexagonal de $\frac{5}{16}$ de pulgada para bisagra



Tornillo de manija



Tornillo de tope

Para sacar la puerta de las bisagras:

1. Desenchufe la fábrica de hielo o desconecte el suministro de energía.
2. Saque los tornillos de la manija y la manija (en algunos modelos). Guarde las partes juntas y póngalas aparte.
3. Saque el pasador de la bisagra superior.
4. Saque la puerta de las bisagras y atornille nuevamente el pasador de la bisagra superior en la bisagra superior.
5. Invierta los topes de la puerta como sigue:
 - Saque tanto los tornillos como los topes (superior e inferior).
 - Coloque el tope superior en la parte inferior del lado opuesto de la puerta con el lado plano largo mirando hacia el frente de la puerta.
 - Coloque el tope inferior en la parte superior del lado opuesto de la puerta con el lado plano largo mirando hacia el frente de la puerta.
6. Ponga la puerta a un lado.

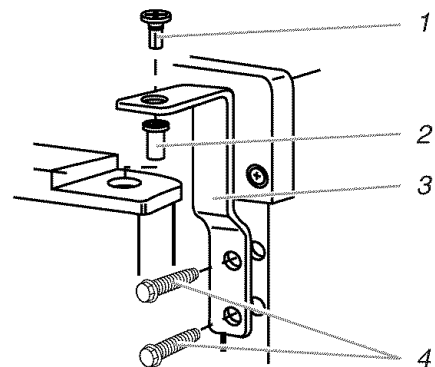
Para invertir las bisagras:

1. Destornille y saque la bisagra superior. Vuelva a colocar los tornillos en los orificios vacíos de la bisagra.
2. Saque los tornillos de la parte inferior del lado opuesto del gabinete de la fábrica de hielo. Gire la bisagra superior al revés de manera que el pasador de la bisagra apunte hacia arriba. Coloque la bisagra en el lado inferior opuesto de la fábrica de hielo y ajuste los tornillos.
3. Saque la funda plástica del pasador de la bisagra de la bisagra inferior "vieja" y vuelva a colocarla en el nuevo pasador de la bisagra inferior.
4. Saque los tornillos "viejos" de la bisagra inferior y la bisagra. Vuelva a colocar los tornillos en los orificios vacíos de la bisagra.
5. Saque los tornillos de la parte superior del lado opuesto del gabinete de la fábrica de hielo. Gire la bisagra al revés de manera que el pasador de la bisagra apunte hacia abajo. Coloque la bisagra en el lado superior opuesto de la fábrica de hielo y ajuste los tornillos.
6. Saque el pasador de la bisagra superior.

Para volver a colocar la puerta en las bisagras:

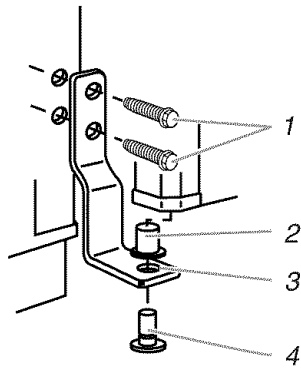
1. Coloque la funda plástica del pasador de la bisagra en el agujero de la bisagra superior en la puerta. Alinee la puerta con el agujero de la bisagra superior y vuelva a colocar el pasador de la bisagra superior.
2. Vuelva a colocar la manija y los tornillos de la manija.

Bisagra superior



1. Pasador de bisagra
2. Funda del pasador de bisagra
3. Bisagra
4. Tornillo de cabeza hexagonal para bisagra

Bisagra inferior



1. Tornillo de cabeza hexagonal para bisagra
2. Funda del pasador de bisagra
3. Bisagra
4. Pasador de bisagra

Para invertir el seguro de la puerta:

1. Saque los tapones de los orificios del lado opuesto de la puerta y déjelos aparte.
2. Saque los tornillos del seguro magnético de la puerta y vuelva a colocarlo en el lado opuesto de la puerta.
3. Empuje los tapones de los orificios a su lugar en el lado opuesto de la puerta.
4. Enchufe la fábrica de hielo o vuelva a conectar el suministro de energía.

USO DE SU FÁBRICA DE HIELO

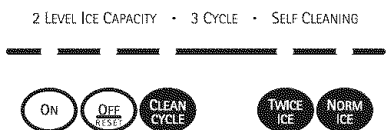
Cómo interpretar los sonidos que usted pudiera escuchar

Su fábrica automática de hielo nueva puede producir algunos sonidos que no le sean familiares. Es posible que usted esté preocupado debido a que se trata de sonidos que no escuchó con anterioridad. La mayor parte de los sonidos nuevos son normales. Las superficies duras, como serían los pisos, paredes y gabinetes pueden hacerlos sonar más fuerte de lo que son realmente. A continuación se describen los tipos de sonidos que pudieran ser nuevos para usted y qué es lo que los produce.

- Cuando la válvula de agua se abre para llenar el depósito de agua para cada ciclo, se pudiera escuchar un zumbido.
- El caudal del refrigerante o de la línea de agua pudiera ocasionar ruidos metálicos. También los artículos que están almacenados encima de la fábrica de hielo pueden producir ruidos.
- El compresor de eficiencia alta pudiera producir un sonido pulsante o agudo.
- El agua corriendo sobre la placa del evaporador pudiera producir un sonido de salpicaduras.
- El agua corriendo de la placa del evaporador hacia el depósito de agua pudiera producir un sonido de salpicaduras.
- Al acercarse el fin del ciclo pudiera escucharse un sonido de borboteo debido al caudal del refrigerante fluyendo en la fábrica de hielo.
- Es posible escuchar un sonido como de aire forzado por el ventilador del condensador por encima del condensador.
- Es posible escuchar un "ruido sordo" durante el ciclo de recolección cuando la capa de hielo se desliza del evaporador hacia la rejilla cortadora.
- Al arrancar la fábrica de hielo por primera vez, se pudiera escuchar agua que fluye continuamente. La fábrica de hielo está programada para ejecutar un ciclo de enjuague antes de iniciar la fabricación del hielo.

Ajuste de los Controles

1. Para empezar la producción de hielo, seleccione ON. Deje transcurrir 24 horas para producir la primera tanda de hielo y deshágase de las tres primeras tandas de hielo producido.
 - Para empezar el ciclo normal de producción de hielo, seleccione ON. Oprima el interruptor "NORM ICE". La producción normal de hielo deberá rendir aproximadamente 25 libras de hielo en un periodo de 24 horas.
 - Para empezar el ciclo máximo de producción de hielo, seleccione ON. Oprima el interruptor "TWICE ICE". La fábrica de hielo entonces producirá aproximadamente 50 libras de hielo en un periodo de 24 horas. Este ciclo deberá seleccionarse siempre que necesite una gran cantidad de hielo transparente y limpio y la bandeja del hielo esté casi vacía.
2. Para detener el funcionamiento de la fábrica de hielo, oprima OFF.



NOTA: Se usa el ajuste CLEAN CYCLE siempre que se ponga a circular soluciones para limpieza a través de la fábrica de hielo. En este ajuste funcionan únicamente la bomba de agua y el compresor. Consulte la sección "Limpieza del sistema de la fábrica de hielo."

CUIDADO DE SU FÁBRICA DE HIELO

Inspeccione y limpie periódicamente la fábrica de hielo para mantenerla funcionando con un máximo de eficiencia y para prevenir la falla prematura de las partes del sistema.

Tanto el sistema de la fábrica de hielo como el del condensador enfriado por aire necesitan limpiarse regularmente.

Los minerales rechazados del agua que circula durante el ciclo de congelación se convertirán con el tiempo en depósitos de sarro en el sistema de agua, lo cual impide el rápido desprendimiento del hielo que se encuentra en la bandeja de congelación.

Limpie el sistema de agua y elaboración de hielo periódicamente para quitar la capa de minerales que se ha formado. La frecuencia de limpieza depende del grado de dureza del agua. Con agua dura (de 15 a 20 granos por galón [4 a 5 granos por litro]), se requiere efectuar limpiezas con una frecuencia de cada 6 meses.

Limpieza de las superficies exteriores

Lave las superficies exteriores esmaltadas de la unidad y las juntas con agua tibia y jabón o detergente suave. Limpie con un paño y seque. El uso regular de un buen producto para limpieza doméstica y cera ayudarán a proteger el acabado. No use productos de limpieza abrasivos en las superficies esmaltadas ya que pueden rayar el acabado.

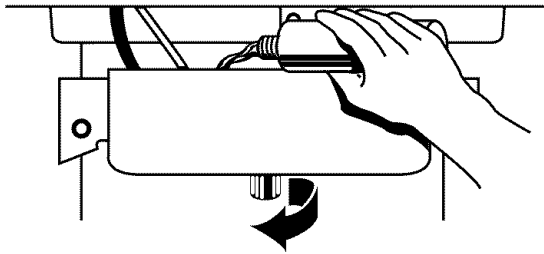
Para productos con acabado de acero inoxidable, use una esponja o un trapo suave y un detergente suave en agua tibia. No use limpiadores abrasivos o fuertes.

Limpieza del sistema de la fábrica de hielo

NOTA: Use una botella de 473 ml (16 oz.) del producto de NU-CALGON * para limpieza de fábricas de hielo que se puede usar en níquel.

1. Empuje el interruptor del selector a la posición de apagado (OFF).
2. Espere entre 5 a 10 minutos para que el hielo caiga en el cajón de almacenaje. Quite todo el hielo del cajón de almacenaje.
3. Destornille el tapón de desagüe de la parte inferior de la bandeja del agua ubicada dentro del cajón de almacenaje como se ilustra. Deje que el agua se escurra por completo.
4. Vuelva a colocar el tapón de desagüe.

5. Antes de completar los siguientes pasos, lea y siga toda la información sobre el manejo del limpiador que se encuentra en la botella. Use una botella de 473 ml (16 oz.) del producto de NU-CALGON* para limpieza de fábricas de hielo que se puede usar en níquel.
6. Vierta una botella de la solución en la bandeja del agua. Llene la botella dos veces con agua del grifo y viértala en la bandeja del agua.



7. Empuje el interruptor del selector a la posición CLEAN. (Vea la sección "Ajuste de Controles.") La luz se encenderá indicando que el ciclo de limpieza está en proceso. Al terminar el ciclo de limpieza (aproximadamente 45 minutos), la luz indicadora se apaga. Durante el ciclo de limpieza, el sistema efectuará automáticamente su limpieza y enjuague.
8. Luego de haber concluido el ciclo de limpieza, quite el tapón de desagüe de la bandeja del agua para verificar que no hayan residuos de la solución de limpieza en la bandeja del agua. Si la solución de limpieza se filtra de la bandeja del agua, usted deberá repetir el ciclo de limpieza.

NOTA: La gran acumulación de sarro puede requerir la repetición del proceso de limpieza con una solución de limpieza nueva.

9. Empuje el interruptor del selector a ON para reanudar la producción del hielo.

Limpieza del condensador

⚠ ADVERTENCIA



Peligro de Choque Eléctrico

Desconecte el suministro de energía antes de limpiarlo.

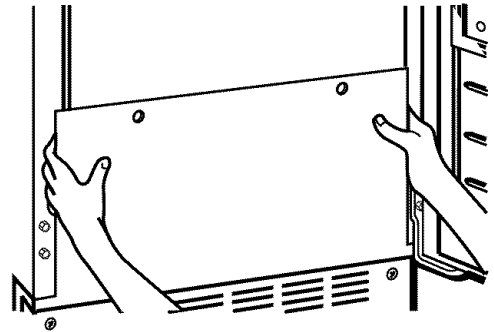
Vuelva a colocar todos los paneles antes de hacer funcionar.

No seguir estas instrucciones puede ocasionar la muerte o choque eléctrico.

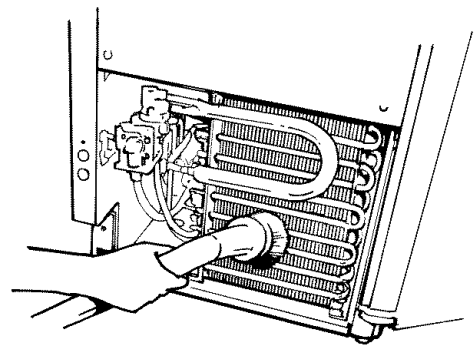
Un condensador sucio u obstruido:

- Impide el flujo apropiado de aire.
- Reduce la capacidad de elaboración del hielo.
- Ocasiona temperaturas más altas que las recomendadas, que puede dar lugar a fallas de los componentes.

1. Desenchufe la fábrica de hielo o desconecte el suministro de energía.
2. Quite los dos tornillos que están en el panel de acceso inferior y los dos tornillos del área de la rejilla de la base del soporte del panel frontal. Jale hacia adelante para quitar el panel de acceso inferior.
3. Jale la parte inferior hacia adelante y luego hacia abajo para quitar el panel de acceso inferior.



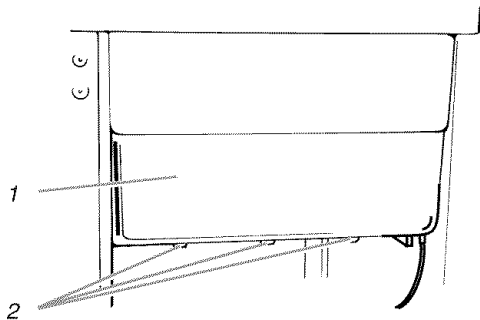
4. Quite la suciedad y pelusa de las aletas del condensador y del compartimiento de la unidad con el cepillo de la aspiradora.



5. Vuelva a colocar el panel de acceso inferior usando los cuatro tornillos.
6. Enchufe la fábrica de hielo o vuelva a conectar el suministro de energía.

Limpieza de las piezas interiores

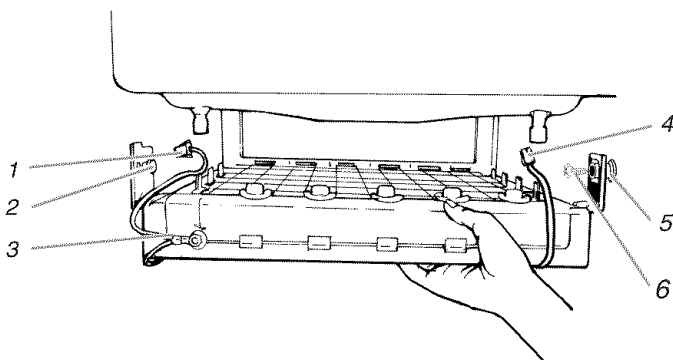
1. Desenchufe la fábrica de hielo o desconecte el suministro de energía.
2. Abra la puerta del cajón de almacenaje y quite el hielo que está en el cajón.
3. Quite el tapón de desagüe de la bandeja del agua y deságuela por completo. Vuelva a colocar el tapón de desagüe.
4. Quite los tres tornillos que sostienen la tapa de la rejilla de corte en su lugar.
5. Desenchufe el arnés eléctrico del lado izquierdo de la rejilla de corte.



1. Tapa de la rejilla de corte
2. Tornillos

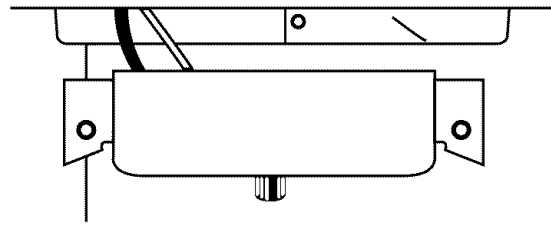
6. Desenchufe el sensor de nivel del hielo del lado derecho de la rejilla de corte. Jale el sensor de nivel del hielo hacia abajo y hacia adelante para separarlo de la rejilla de corte.
7. Quite el tornillo de la mano derecha y afloje el tornillo de la mano izquierda. Levante la rejilla de corte luego hacia afuera y encima del tornillo de la mano izquierda.

NOTA: Asegúrese de que el separador de plástico que se encuentra a la mano derecha del soporte de la rejilla de corte permanezca con la rejilla de corte.



1. Arnés de la rejilla de corte
2. Tornillo
3. Rejilla de corte
4. Arnés del sensor de nivel del hielo
5. Separador de plástico
6. Tornillo

8. Quite los dos tornillos que sostienen la bandeja del agua en su lugar. Empuje hacia abajo con una mano en la parte del frente de la bandeja mientras jala hacia adelante el lado posterior inferior.



9. Lave con jabón o detergente suave y agua tibia las piezas interiores (la rejilla de corte, el exterior de las mangueras y la bandeja del agua) y el cajón de almacenaje, la junta de la puerta y la pala para el hielo. Enjuague en agua limpia. Luego limpie las mismas piezas en una solución de una cucharada (15 ml) de blanqueador de cloro mezclado con 1 galón (3.8 l) de agua tibia. Nuevamente enjuáguelas a fondo en agua limpia.

NOTA: No quite las mangueras. No lave las piezas de plástico en la lavavajillas. Éstas no pueden soportar temperaturas superiores a los 145°F (63°C).

10. Vuelva a colocar la bandeja del agua empujando la parte inferior hacia atrás con una mano mientras empuja hacia arriba y luego hacia abajo la parte superior. Asegure la bandeja del agua volviendo a colocar ambos tornillos.

11. Verifique lo siguiente:

- Que el tapón de desagüe de la bandeja del agua esté en su lugar.
- Que la manguera de la bandeja del agua esté insertada en la abertura de desagüe del cajón de almacenaje.

12. Deslice hacia atrás la rejilla de corte hasta colocarla en su lugar y asegúrela volviendo a colocar el tornillo de la mano derecha y el separador de plástico. Luego ajuste el tornillo de la mano izquierda. Vuelva a conectar los arneses de la rejilla de corte y del sensor de nivel del hielo.

13. Enchufe la fábrica de hielo o vuelva a conectar el suministro de energía.

Cuidado durante las vacaciones o mudanzas

⚠ ADVERTENCIA



Peligro de Choque Eléctrico

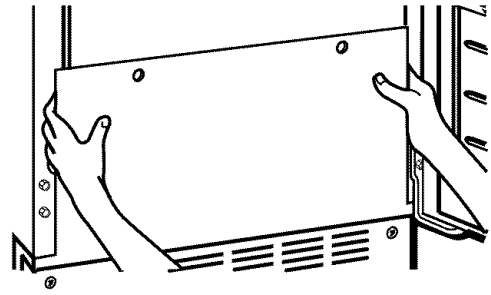
Desconecte el suministro de energía antes de dar mantenimiento.

Vuelva a colocar todos los paneles antes de hacer funcionar.

No seguir estas instrucciones puede ocasionar la muerte o choque eléctrico.

Para apagar la fábrica de hielo:

1. Desenchufe la fábrica de hielo o desconecte la alimentación de energía eléctrica.
2. Quite todo el hielo del recipiente de almacenamiento.
3. Cierre el suministro de agua.
4. Quite los dos tornillos del panel de acceso inferior y los dos tornillos de la zona de la rejilla de la base del soporte del panel frontal. Tire hacia delante para quitar el panel de acceso inferior.



5. Desconecte las líneas de entrada y de salida de la válvula de agua. Deje que esas líneas se desagüen y a continuación vuévalas a conectar a la válvula.
6. Reponga el panel inferior de acceso y los tornillos.
7. Quite el tapón del desagüe para desaguar el agua de la bandeja de agua.
8. Si se espera que la temperatura ambiente baje de 32° F (0° C), elimine el agua de la línea de desagüe.
Para aquellas fábricas de hielo que tienen instalada una bomba de desagüe:
 - a) Enchufe la fábrica de hielo o reconecte la alimentación de energía eléctrica.
 - b) Apague la fábrica de hielo y quite todo el hielo que pudiese haber quedado en el recipiente para hielo.
 - c) Cerca del desagüe del recipiente del hielo vierta un cuarto (945 ml) de agua y deje reposar a la unidad por cerca de cinco minutos. Esta operación permitirá que el agua en el recipiente se desagüe por la bomba de desagüe, de tal manera que la bomba eliminará el agua restante del recipiente del hielo y de la bomba de desagüe.
 - d) Desenchufe la fábrica de hielo o desconecte la alimentación de energía eléctrica.
9. Limpie la fábrica de hielo y el recipiente de almacenamiento antes de usarla nuevamente.
10. Enchufe la fábrica de hielo o reconecte la alimentación de energía eléctrica.

NOTA: Todas las piezas de la fábrica de hielo vienen con lubricación permanente desde la fábrica. No deberían requerir lubricación adicional durante todo el ciclo vital del electrodoméstico.

SOLUCIÓN DE PROBLEMAS

Primero pruebe las soluciones sugeridas aquí para evitar el costo innecesario del servicio.

La unidad no funciona

- **¿Se ha fijado el control en ON?**
Asegúrese de que el control esté en ON.
 - **¿Se ha enchufado el cable de electricidad?**
Enchufe bien el cable en un contacto de pared con el voltaje apropiado.
 - **¿Se ha quemado un fusible o se ha disparado un cortacircuito?**
Reemplace el fusible o arregle el cortacircuito.
 - **¿Está la temperatura ambiente más fresca de lo normal?**
La temperatura ambiente debe estar encima de los 55°F (13°C). De otro modo, el termostato del cajón puede registrar la temperatura ambiente fría y apagar la unidad aún cuando el cajón no está lleno de hielo. Además, es posible que la unidad no vuelva a funcionar nuevamente una vez que haya sido apagada.
-

La unidad funciona pero no produce hielo

- **¿Se ha fijado el control en ON?**
Asegúrese de que el control esté en ON.
 - **¿Se ha conectado el suministro de agua?**
Asegúrese de que el suministro de agua esté adecuadamente conectado y abierto.
-

La unidad funciona pero produce muy poco hielo

- **¿Está la temperatura ambiente más caliente de lo normal?**
La temperatura ambiente superior a 90°F (32°C) por lo general reducirá la producción del hielo.
 - **¿Está el condensador sucio?**
La suciedad o la pelusa puede estar obstruyendo el flujo de aire a través del condensador. Consulte la sección "Limpieza del condensador."
 - **¿Se ha acumulado sarro en la fábrica de hielo?**
Si hay acumulación blanca de sarro en el sistema de congelación y del agua de la unidad, usted deberá limpiar la fábrica de hielo. Consulte las secciones "Limpieza del sistema de elaboración de hielo" y "Limpieza de las piezas interiores."
-

La rejilla de corte no está cortando las capas de hielo

- **¿Se ha colocado la rejilla de corte en su debido lugar?**
Desenchufe la fábrica de hielo o desconecte el suministro de energía. Quite la tapa de la rejilla de corte y revise el enchufe del arnés eléctrico de la rejilla de corte para cerciorarse que la conexión esté segura.
-

Mal sabor en los cubos de hielo

- **¿Hay un contenido alto de minerales en el suministro de agua?**
Puede ser necesario filtrar o tratar el agua.
 - **¿Se ha guardado alimentos en el cajón del hielo?**
No guarde alimentos en el cajón del hielo.
 - **¿Se quitó todo el material de empaque?**
Asegúrese de haber quitado todos los materiales de empaque en el momento de la instalación.
-

Notas

TABLE DES MATIÈRES

GARANTIE.....	33
SÉCURITÉ DE LA MACHINE À GLAÇONS.....	34
PIÈCES ET CARACTÉRISTIQUES	35
INSTALLATION DE LA MACHINE À GLAÇONS.....	36
Déballage de la machine à glaçons	36
Espace requis.....	36
Spécifications électriques	37
Mise d'aplomb de la machine à glaçons	37
Raccordement de la machine à glaçons à l'alimentation en eau.....	38
Inversion du sens d'ouverture de la porte	40
UTILISATION DE LA MACHINE À GLAÇONS	42
Compréhension des bruits que vous pouvez entendre.....	42
Réglage des commandes	42
ENTRETIEN DE LA MACHINE À GLAÇONS.....	43
Nettoyage des surfaces extérieures	43
Nettoyage du système de la machine à glaçons.....	43
Nettoyage du condenseur.....	44
Nettoyage des composants intérieurs.....	44
Précautions à prendre pour les vacances ou le déménagement.....	46
DÉPANNAGE	47

GARANTIE

GARANTIE COMPLÈTE DE UN AN DE LA MACHINE À GLAÇONS

Pendant un an à partir de la date d'achat, lorsque cette machine à glaçons est utilisée et entretenue conformément aux instructions comprises ou fournies avec la machine à glaçons, Sears réparera cette machine à glaçons sans frais, si la machine contient des vices de matériaux ou de fabrication.

GARANTIE LIMITÉE DE UN AN DE LA MACHINE À GLAÇONS

Pendant un an à compter de la date d'achat, lorsque la machine à glaçons est utilisée dans des applications commerciales et qu'elle est utilisée et entretenue conformément aux instructions fournies avec la machine à glaçons, Sears fournira sans frais des pièces de rechange pour tout composant comportant des vices de matériaux ou de fabrication. Les frais de main d'oeuvre seront facturés.

GARANTIE COMPLÈTE DE CINQ ANS SUR LE SYSTÈME DE RÉFRIGÉRATION SCÉLLÉ

Pendant cinq ans à compter de la date d'achat, lorsque la machine à glaçons est utilisée et entretenue conformément aux instructions comprises ou fournies avec la machine à glaçons, Sears réparera le système scellé (comprenant : le réfrigérant, le tube de connection, et le moteur du compresseur), sans frais, en cas de vices de matériaux ou de fabrication.

LE SERVICE DE GARANTIE EST DISPONIBLE EN CONTACTANT LE CENTRE DE SERVICE SEARS LE PLUS PROCHE AUX ÉTATS-UNIS OU AU CANADA.

Cette garantie s'applique seulement pendant que ce produit est utilisé aux États-Unis ou au Canada. Cette garantie vous donne des droits légaux spécifiques, et vous pourriez aussi avoir d'autres droits qui peuvent varier d'un état à l'autre ou d'une province à l'autre.

Les termes de la garantie peuvent varier au Canada. Contacter votre Centre de service Sears local pour des détails complets.

**Sears, Roebuck and Co.
D/817WA, Hoffman Estates, IL 60179**

Sears Canada, Inc., Toronto, Ontario, Canada M5B 2B8

Veillez inscrire dans l'espace ci-dessous les numéros au complet de modèle et de série et la date d'achat. Ces renseignements se trouvent sur la plaque signalétique du numéro de modèle et du numéro de série, située telle qu'indiquée à la section "Pièces et caractéristiques" de cette brochure.

Gardez à votre disposition ces renseignements pour vous aider à plus rapidement obtenir assistance ou service lorsque vous communiquez avec Sears au sujet de votre machine à glaçons.

Numéro de modèle **106**.....

Numéro de série

Date d'achat

Conserver ces instructions et votre reçu de vente pour référence ultérieure.

SÉCURITÉ DE LA MACHINE À GLAÇONS

Votre sécurité et celle des autres est très importante.

Nous donnons de nombreux messages de sécurité importants dans ce manuel et sur votre appareil ménager. Assurez-vous de toujours lire tous les messages de sécurité et de vous y conformer.



Voici le symbole d'alerte de sécurité.

Ce symbole d'alerte de sécurité vous signale les dangers susceptibles de causer le décès et des blessures graves à vous et à d'autres.

Tous les messages de sécurité seront précédés du symbole d'alerte de sécurité et du mot "DANGER" ou "AVERTISSEMENT". Ces mots signifient :

▲ DANGER

Risque **certain** de décès ou de blessure grave si vous ne suivez pas les instructions.

▲ AVERTISSEMENT

Risque **possible** de décès ou de blessure grave si vous ne suivez pas les instructions.

Tous les messages de sécurité identifient le danger et vous disent comment réduire le risque de blessure et ce qui peut se produire en cas de non-respect des instructions.

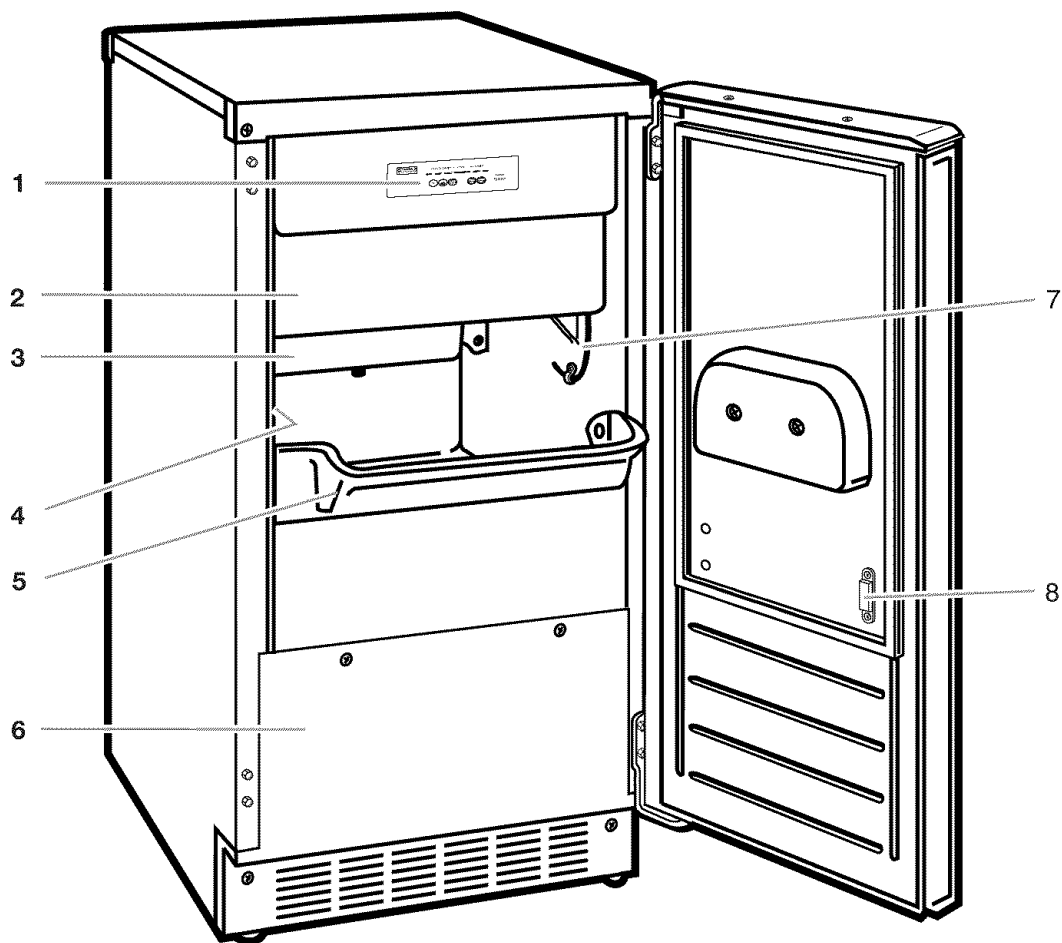
IMPORTANTES INSTRUCTIONS DE SÉCURITÉ

AVERTISSEMENT : Pour réduire le risque d'incendie, de choc électrique ou de blessures lors de l'utilisation de la machine à glaçons, il convient d'observer certaines précautions élémentaires :

- Brancher sur une prise à 3 alvéoles reliée à la terre.
- Ne pas enlever la broche de liaison à la terre.
- Ne pas utiliser un adaptateur.
- Ne pas utiliser un câble de rallonge.
- Utiliser deux ou plus de personnes pour déplacer et installer la machine à glaçons.
- Déconnecter la source de courant électrique avant le nettoyage.
- Déconnecter la source de courant électrique avant l'entretien.
- Replacer tous les panneaux avant de faire la remise en marche.

CONSERVEZ CES INSTRUCTIONS

PIÈCES ET CARACTÉRISTIQUES



1. Tableau de commande
2. Couvercle de la grille de coupe
3. Bac d'eau
4. Plaque signalétique (sur la paroi gauche de la caisse)

5. Panneau de retenue des glaçons
6. Panneau d'accès inférieur
7. Détecteur de niveau de glace
8. Loquet de porte magnétique

INSTALLATION DE LA MACHINE À GLAÇONS

Déballage de la machine à glaçons

⚠ AVERTISSEMENT

Risque du poids excessif

Utiliser deux ou plus de personnes pour déplacer et installer la machine à glaçons.

Le non-respect de cette instruction peut causer une blessure au dos ou d'autre blessure.

Enlèvement des matériaux d'emballage

IMPORTANT : Ne pas enlever les étiquettes permanentes d'instructions à l'intérieur de la machine à glaçons ni la fiche technique fixée derrière le panneau d'accès inférieur.

- Enlever le ruban adhésif et toutes les étiquettes de votre machine à glaçons avant de l'utiliser (excepté l'étiquette de numéro de modèle et de série).
Pour enlever ce qui reste du ruban adhésif ou de l'adhésif, frotter la surface vivement avec le pouce. La colle ou l'adhésif qui reste peut être facilement enlevée par frottement avec les doigts et une petite quantité de savon liquide pour la vaisselle sur l'adhésif. Rincer à l'eau tiède et essuyer.
- Ne pas utiliser d'instruments acérés, d'alcool à friction, de liquides inflammables ou de nettoyants abrasifs pour enlever le ruban adhésif ou la colle. Ces produits peuvent endommager la surface de votre machine à glaçons. Voir la section "Importantes instructions de sécurité".

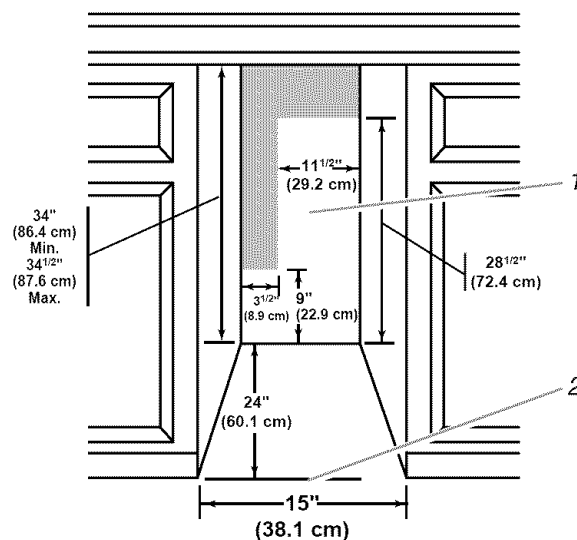
Nettoyage avant l'utilisation

Après avoir enlevé tous les matériaux d'emballage, nettoyer l'intérieur de la machine à glaçons avant de l'utiliser. Voir les instructions de nettoyage dans la section "Entretien de votre machine à glaçons".

Espace requis

- Pour assurer une bonne aération de votre appareil, l'avant doit être complètement dégagé. Les autres côtés et le dessus de l'appareil peuvent être dissimulés, mais l'installation doit permettre de tirer la machine à glaçons vers l'avant pour y faire les travaux d'entretien requis.
- Pour installer la machine à glaçons, il faut avoir un tuyau d'alimentation en eau de 1/4 po (6mm) de dia. ext. en cuivre doux avec un robinet et un système de vidange par gravité ou une pompe à condensat pour pousser l'eau vers un drain existant.
- Choisir un endroit bien aéré où la température est supérieure à 55°F (13°C) et inférieure à 100°F (38°C). Pour tirer le meilleur rendement de l'appareil, la température ambiante doit se situer entre 70°F (21°C) et 90°F (32°C). Cet appareil DOIT être installé à un endroit protégé contre les éléments, comme le vent, la pluie, les embruns ou les égouttures.
- Lorsque l'appareil est installé sous un comptoir, observer les dimensions d'ouverture recommandées. Placer les composants électriques ou de plomberie dans la zone recommandée à l'illustration.

REMARQUE : Il ne faut pas écraser ni pincer le câble d'alimentation électrique entre l'appareil et les armoires.



1. Zone recommandée pour les composants électriques et de plomberie
2. Niveau du plancher

- Il est recommandé de choisir un emplacement où le plancher est uniforme. Il est important que la machine à glaçons soit d'aplomb pour bien fonctionner. Au besoin, il est possible de régler la hauteur de la machine à glaçons en changeant la position des roulettes arrière. Voir la section "Mise d'aplomb de la machine à glaçons".

Spécifications électriques

⚠ AVERTISSEMENT



Risque de choc électrique

Brancher sur une prise à 3 alvéoles reliée à la terre.

Ne pas enlever la broche de liaison à la terre.

Ne pas utiliser un adaptateur.

Ne pas utiliser un câble de rallonge.

Le non-respect de ces instructions peut causer un décès, un incendie ou un choc électrique.

Avant de pousser la machine à glaçons à sa place définitive, il faut s'assurer que le raccordement électrique a été bien fait.

Il faut un circuit d'alimentation électrique c.a. de 115 volts, 60 Hz, de seulement 15 ampères mis à la terre conformément aux instructions du Code national de l'électricité et des codes et règlements locaux.

Il est recommandé de réserver un circuit spécial à la machine à glaçons. Utiliser une boîte où l'alimentation ne peut pas être coupée à l'aide d'un interrupteur ou d'une chaînette.

Méthode de mise à la terre recommandée

Pour votre propre sécurité, cet appareil doit être mis à la terre. L'appareil comporte un cordon d'alimentation électrique à trois broches pour la mise à la terre. Pour minimiser les risques de choc électrique, le cordon d'alimentation électrique doit être branché sur une prise de courant murale mise à la terre correspondante à trois alvéoles où la mise à la terre a été faite conformément au code national de l'électricité et aux codes et règlements locaux. S'il n'y a pas de prise de courant correspondante, il incombe au client de faire installer une prise de courant murale à trois alvéoles mise à la terre de façon appropriée par un électricien qualifié.

Mise d'aplomb de la machine à glaçons

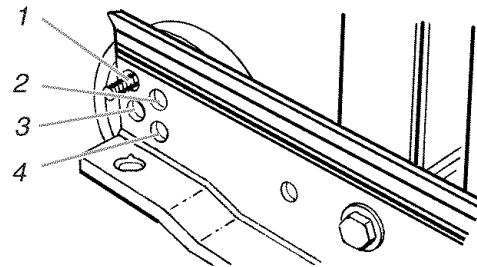
Il est important que la machine à glaçons soit d'aplomb pour bien fonctionner. Selon l'endroit où vous installez la machine à glaçons, vous pourrez avoir à effectuer plusieurs ajustements pour la mettre d'aplomb.

Outillage requis

- Niveau
- Clé à mollette
- Clé à douille de ¼ po

Installation sous un comptoir

Si vous installez la machine à glaçons sous un comptoir, il vous faudra peut-être ajuster la hauteur de la machine. Les roulettes arrière réglables sont préréglées à la position 1 pour une ouverture de 34 po (86,4 cm) de hauteur.



1. Pour une hauteur d'encastrement de 34 po (86,4 cm)
2. Pour une hauteur d'encastrement de 34 ½ po (86,7 cm)
3. Pour une hauteur d'encastrement de 34 5/8 po (87,2 cm)
4. Pour une hauteur d'encastrement de 34 ½ po (87,6 cm)

Réglage de la hauteur des roulettes arrière

1. Au moyen d'une douille de ¼ po, enlever les cinq vis du panneau d'accès arrière et retirer soigneusement le panneau en l'éloignant du tuyau d'évacuation.
2. Au moyen d'une clé de ¾ po ou à molette, ôter la vis qui retient la roulette arrière.

REMARQUE : Pousser contre la partie arrière supérieure de la machine à glaçons diminue une partie du poids sur les roulettes arrière. Il est ainsi plus facile d'enlever les vis.

3. Déplacer la roulette arrière et la vis à une nouvelle position en fonction de la hauteur d'encastrement nécessaire. Serrer la vis complètement.
4. Répéter les étapes 2 et 3 pour changer la position de la roulette de l'autre côté.
5. Réinstaller le panneau arrière et les vis. S'assurer que le tuyau d'évacuation se trouve dans l'ouverture fournie.
6. Utiliser les pieds de nivellement avant pour vous assurer que le produit est d'aplomb.

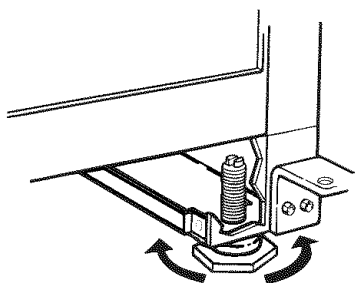
Ajustement des pieds de nivellement avant

La machine à glaçons comporte 2 pieds de nivellement réglables pour vous aider à stabiliser le produit et à vous assurer qu'il est d'aplomb.

SUGGESTION : Il est plus facile d'ajuster les pieds de nivellement si on se fait aider par une autre personne.

1. Placer un niveau sur le dessus du produit pour voir si la machine à glaçons est d'aplomb d'avant en arrière et transversalement.
2. Pousser vers le haut sur la partie avant de la machine à glaçons pour repérer les vis de nivellement qui se trouvent sur le fond avant du produit.
3. Au moyen d'une clé à molette, modifier la hauteur des pieds comme suit :
 - Tourner le pied de nivellement vers la droite pour abaisser ce côté de la machine à glaçons.
 - Tourner le pied de nivellement vers la gauche pour soulever ce côté de la machine à glaçons.

REMARQUE : La machine à glaçons ne devrait pas osciller. Utiliser des cales pour accroître la stabilité au besoin.



4. Utiliser un niveau pour revérifier que la machine à glaçons est d'aplomb d'avant en arrière et transversalement. Si elle n'est pas d'aplomb, répéter les étapes 2 et 3. Si la machine est d'aplomb, passer à la section "Raccordement de la machine à glaçons à une source d'eau".

Installation autoportante

Si vous n'installez pas la machine à glaçons dans un encastrement, il ne sera probablement pas nécessaire d'ajuster la hauteur des roulettes arrière. Suivre les étapes décrites à "Ajustement des pieds de nivellement avant" plus haut dans cette section.

REMARQUE : La machine à glaçons ne devrait pas osciller. Utiliser des cales pour accroître la stabilité au besoin.

Raccordement de la machine à glaçons à l'alimentation en eau

Lire toutes les instructions avec soin avant de commencer.

IMPORTANT :

- Toutes les installations doivent respecter les codes locaux de plomberie.
- Utiliser une tuyauterie en cuivre et voir s'il y a des fuites.
- Installer les tuyaux en cuivre uniquement là où les températures resteront supérieures au point de congélation.

Outils requis :

- Tournevis ordinaire
- Clés ouvertes de $\frac{7}{16}$ po de $\frac{1}{2}$ po ou deux clés réglables
- Tourne-écrou de $\frac{1}{4}$ po
- Mèche de $\frac{1}{4}$ po
- Perceuse manuelle ou électrique convenablement mise à la terre

REMARQUE : Votre marchand de machine à glaçons a une trousse de robinet d'arrêt à étrier de $\frac{1}{4}$ po, un raccord-union et tube en cuivre. Avant de faire un achat, s'assurer que le robinet d'arrêt à étrier respecte les codes locaux de plomberie. Ne pas utiliser de robinet d'arrêt à étrier perforant ou de $\frac{3}{16}$ po (6 mm) qui réduit le débit d'eau et qui se bouche plus facilement.

Raccordement du tuyau d'eau :

1. Couper l'alimentation principale en eau. Ouvrir le robinet le plus proche suffisamment longtemps pour vider le tuyau de son eau.
2. Trouver un tuyau vertical d'alimentation en eau froide de $\frac{1}{2}$ po à $1\frac{1}{4}$ po à proximité de la machine à glaçons.

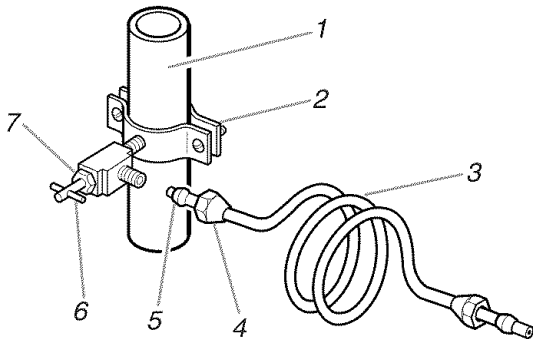
REMARQUE : On peut alimenter le réfrigérateur à partir d'une canalisation horizontale, mais on doit observer les précautions suivantes : Percer par le dessus de la canalisation et non pas par le dessous. Ainsi, l'eau ne risquera pas d'arroser la perceuse. Ceci empêche également les sédiments qu'on trouve normalement dans l'eau de s'accumuler dans le robinet d'arrêt.

3. Utiliser une perceuse mise à la terre et percer un orifice de $\frac{1}{4}$ po (6 mm) dans le tuyau d'alimentation en eau froide que vous avez choisi.

4. Installer le robinet d'arrêt sur le tuyau d'alimentation en eau à l'aide d'un étrier pour tuyau. Il faut s'assurer que l'extrémité de sortie est bien insérée dans l'orifice percé de ¼ po dans le tuyau d'alimentation en eau et que la rondelle se trouve sous l'étrier du tuyau. Serrer l'écrou de la garniture. Serrer les vis de l'étrier du tuyau avec soin et uniformément afin que la rondelle établisse un scellement étanche. Ne pas serrer l'étrier du tuyau à l'excès sans quoi le tuyau d'alimentation en eau froide pourrait être écrasé s'il s'agit d'un tuyau en cuivre doux. Ne pas utiliser un robinet à étrier de 3/16 po qui pourrait réduire le débit d'eau et se boucher plus facilement.

5. Le moment est maintenant venu de raccorder le tuyau en cuivre. Utiliser un tuyau en cuivre doux de ¼ po (6 mm) de dia. ext. pour l'alimentation en eau froide.

- Mesurer à partir du raccord à l'avant de la machine à glaçons jusqu'au tuyau d'eau froide. Ajouter 3 pieds pour être certain que la longueur est suffisante. Cette mesure représente la longueur de tuyau de cuivre doux de ¼ po (6 mm) de dia. ext. requise pour faire le raccordement. Il faut s'assurer que les deux extrémités du tuyau en cuivre sont bien coupées à 90 degrés.
- Installer le manchon et l'écrou à compression sur le tuyau en cuivre (voir l'illustration). Insérer l'extrémité du tube aussi profondément que possible dans l'extrémité de sortie et à l'équerre. Visser l'écrou à compression sur l'extrémité de la sortie à l'aide d'une clé réglable. Ne pas serrer à l'excès.



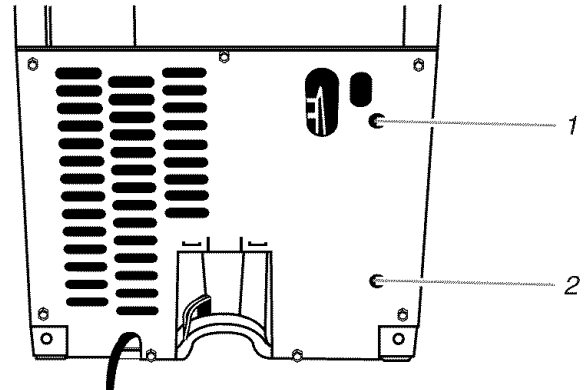
1. Tuyau d'alimentation en eau froide
2. Étrier
3. Tuyau en cuivre
4. Écrou de compression
5. Manchon à compression
6. Robinet d'arrêt
7. Écrou de la garniture

6. Placer l'extrémité libre dans un contenant ou un évier et rétablir l'alimentation principale en eau pour nettoyer le tuyau jusqu'à ce que l'eau sorte propre. Fermer le robinet d'arrêt sur le tuyau d'alimentation en eau.

REMARQUE : Il faut toujours vidanger le tuyau d'alimentation en eau avant de faire le raccordement final sur l'entrée du robinet pour prévenir tout mauvais fonctionnement possible du robinet.

7. Une fois que la machine est en place, retirer les deux vis du panneau d'accès inférieur et les deux vis de la grille de base du support du panneau avant. Tirer vers l'avant pour retirer le panneau d'accès inférieur.
8. Placer le tube de sorte qu'il puisse entrer dans l'un des deux orifices d'accès situés du côté droit, à l'arrière de la machine (voir l'illustration). Le tuyau devrait dépasser au-delà de l'avant de la machine lorsque cette dernière est à sa place finale.

VUE ARRIÈRE

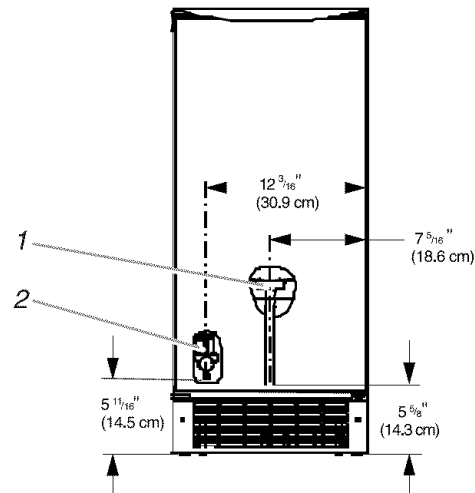


1. Orifice supérieur d'accès au tuyau d'alimentation en eau
2. Orifice d'accès inférieur au tuyau d'alimentation en eau

9. Courber le tuyau de cuivre de façon à faire un raccordement sur l'entrée du robinet qui se trouve à l'avant de la machine à glaçons (voir l'illustration).
10. Dévisser le couvercle de l'entrée du robinet d'alimentation en eau et installer le tuyau en cuivre à l'aide du manchon et de l'écrou de compression.

REMARQUE : Pour empêcher les bruits de tuyauterie, il faut s'assurer que les tuyaux en cuivre ne touchent pas aux parois de la machine à glaçons ni à d'autres composants intérieurs.

VUE AVANT



1. Vidange du bac à eau
2. Robinet

11. Ouvrir le robinet d'arrêt. Voir s'il y a des fuites.

Serrer les raccords (y compris les raccords au niveau du robinet) ou les écrous qui fuient. La machine à glaçons comprend un filtre à eau. Si l'eau utilisée oblige à nettoyer périodiquement ce filtre ou si la machine est raccordée à un réseau de tuyaux provenant d'un puits, il faudrait installer un deuxième filtre à eau. Il est possible d'obtenir un filtre à eau chez votre marchand le plus proche; il faut ensuite l'installer sur l'un ou l'autre des raccords du tuyau.

12. Remettre le panneau d'accès inférieur en place et le fixer à l'aide des deux vis.

Raccordement de la vidange

Vidange par gravité

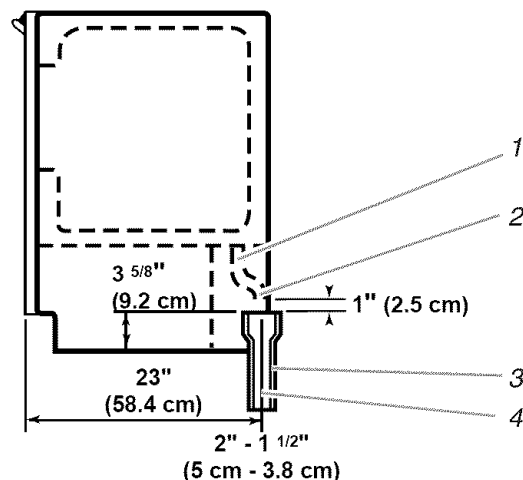
Il faut raccorder le tuyau de la pompe de vidange fournie avec la machine à votre drain de vidange conformément aux codes et règlements locaux et d'État. Si la machine à glaçons est fournie avec un drain de vidange par gravité, il faut suivre les instructions ci-dessous lors de l'installation des tuyaux de vidange pour que l'eau ne refoule pas dans le bac d'entreposage de la machine à glace et peut-être même sur le plancher et y causer des dommages :

- Les tuyaux de vidange doivent avoir au moins $\frac{5}{8}$ po (1,6 cm) de diamètre intérieur.
- Les tuyaux de vidange doivent avoir une pente de 1 po (2,5 cm) par 48 po (122 cm) de longueur ($\frac{1}{4}$ po/pi [6 mm/30,5 cm]) et ne comporter aucun point bas où l'eau pourrait stagner.
- Les drains de vidange de plancher doivent être suffisamment grands pour recevoir l'eau de vidange provenant de toutes sources.
- L'installation idéale comporte une colonne verticale avec un réducteur de vidange en PVC $1\frac{1}{2}$ po à 2 po installé immédiatement sous la sortie du tube de vidange. Il faut maintenir un écart anti-retour de 1 po entre le tuyau de la pompe de vidange et le tuyau de rejet à l'égout.
- Il sera peut-être souhaitable d'isoler le tuyau de vidange complètement jusqu'à l'entrée du drain de vidange.

Après avoir vérifié que le système de vidange est adéquat, il faut procéder tel que décrit ci-dessous pour bien mettre la machine à glaçons en place.

1. Brancher la machine à glaçons ou reconnecter la source de courant électrique.
2. Vérifier à nouveau la machine à glaçons pour s'assurer qu'elle est bien d'aplomb. Voir la section sur la mise d'aplomb de la machine à glaçons.
3. Pousser la machine à glaçons à sa place de sorte que le tuyau de vidange de la machine soit placé au-dessus du réducteur du drain de vidange en PVC.

VUE LATÉRALE



1. Tuyau de vidange
2. Écart anti-retour de 1 po (2,5 cm)
3. Réducteur de vidange en PVC
4. Le centre du drain devrait se trouver à 23 po (58,4 cm) du devant de la porte (avec ou sans le panneau de 1,9 cm ($\frac{3}{4}$ po) sur la porte).

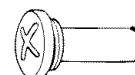
4. Si le code sanitaire local l'exige, sceller la machine sur le plancher à l'aide d'un produit de calfeutrage approuvé une fois que les raccordements d'eau et d'électricité ont été faits.

Système à pompe de vidange (sur certains modèles)

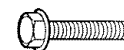
Raccorder le tuyau de la pompe de vidange fournie avec la machine au drain de vidange conformément à tous les codes et règlements locaux ou d'État.

Inversion du sens d'ouverture de la porte

OUTILLAGE NÉCESSAIRE : clé de $\frac{5}{16}$ po, clé de $\frac{1}{4}$ po, couteau à mastic plat, tournevis Phillips



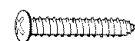
Axe



Vis de charnière à tête hexagonale $\frac{5}{16}$ po



Vis de poignée



Vis d'embout

Pour retirer la porte des charnières :

1. Débrancher la machine à glaçons ou déconnecter la source de courant électrique.
2. Ôter les vis de la poignée et la poignée (sur certains modèles). Garder les pièces ensemble et les mettre de côté.
3. Retirer l'axe de la charnière supérieure.
4. Retirer la porte des charnières et revisser l'axe supérieur dans la charnière supérieure.
5. Inverser les embouts de porte comme suit :
 - Ôter les deux vis et embouts (supérieurs et inférieurs).
 - Placer l'embout supérieur à la partie inférieure du côté opposé de la porte avec le long côté plat face au devant de la porte.
 - Placer l'embout inférieur à la partie supérieure du côté opposé de la porte avec le long côté plat face au devant de la porte.
6. Mettre la porte de côté.

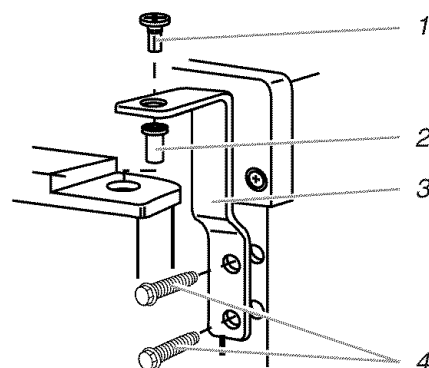
Inversion des charnières :

1. Dévisser et enlever la charnière supérieure. Remettre les vis dans les trous de charnière vides.
2. Ôter les vis du côté inférieur opposé de la caisse de la machine à glaçons. Inverser la charnière supérieure de telle sorte que l'axe pointe vers le haut. Placer la charnière du côté opposé inférieur de la machine à glaçons et serrer les vis.
3. Enlever la douille de plastique de l'axe de la charnière de la "vieille" charnière inférieure et la replacer sur la nouvelle charnière inférieure.
4. Ôter les vis de la "vieille" charnière inférieure et la charnière. Remettre les vis dans les trous de charnière vides.
5. Ôter les vis du côté supérieur opposé de la caisse de la machine à glaçons. Inverser la charnière de telle sorte que l'axe pointe vers le bas. Placer la charnière du côté opposé supérieur de la machine à glaçons et serrer les vis.
6. Ôter l'axe de la charnière supérieure.

Réinstallation de la porte sur les charnières :

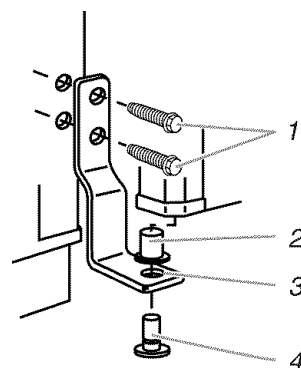
1. Placer la douille de plastique de la charnière dans le trou de la charnière supérieure sur la porte. Aligner la porte avec le trou de la charnière supérieure et réinstaller l'axe supérieur.
2. Réinstaller la poignée et les vis de la poignée.

Charnière supérieure



1. Axe
2. Douille de l'axe de la charnière
3. Charnière
4. Vis de charnière à tête hexagonale

Charnière inférieure



1. Vis de charnière à tête hexagonale
2. Douille de l'axe de la charnière
3. Charnière
4. Axe

Inversion du loquet de porte :

1. Ôter les bouchons de trous du côté opposé de la porte.
2. Ôter les vis du loquet de porte magnétique et les réinstaller du côté opposé de la porte.
3. Pousser les bouchons de trous en place du côté opposé de la porte.
4. Brancher la machine à glaçons ou reconnecter la source de courant électrique.

UTILISATION DE LA MACHINE À GLAÇONS

Compréhension des bruits que vous pouvez entendre

Il est possible que votre nouvelle machine à glaçons émette des bruits qui ne vous sont pas familiers. Comme ces bruits sont nouveaux, ils peuvent vous inquiéter. La plupart de ces nouveaux bruits sont normaux. Des surfaces dures comme le plancher, les murs et les armoires peuvent faire paraître les bruits plus forts qu'en réalité. Les descriptions suivantes indiquent les genres de bruits qui peuvent être nouveaux pour vous et leur cause.

- Vous entendrez un bourdonnement lorsque la valve d'eau s'ouvre pour remplir le réservoir d'eau pour chaque cycle.
- Des vibrations sonores peuvent provenir de l'écoulement du réfrigérant, de la canalisation d'eau ou d'articles placés sur la machine à glaçons.
- Le compresseur à haute efficacité peut produire un son aigu ou de pulsation.
- L'eau coulant sur la plaque d'évaporation peut produire un son d'éclaboussement.
- L'eau coulant de la plaque d'évaporation au réservoir d'eau peut produire un son d'éclaboussement.
- À la fin de chaque programme, vous pouvez entendre un gargouillement attribuable au réfrigérant qui circule dans votre machine à glaçons.
- Vous pouvez entendre de l'air qui est transmis au condenseur par le ventilateur du condenseur.
- Au cours du programme de récolte, vous pouvez entendre un "bruit sourd" lorsque la plaque de glace glisse de l'évaporateur sur la grille de coupe.
- Lors de la mise en marche initiale de la machine à glaçons, il est possible que vous entendiez l'eau couler continuellement. La machine à glaçons est programmée pour effectuer un programme de rinçage avant de commencer à fabriquer de la glace.

Réglage des commandes

1. Pour commencer le programme de production de glaçons, choisir ON. Accorder 24 heures pour produire la première quantité de glaçons et jeter les trois premières quantités de glaçons produites.
 - Pour commencer le programme de production normale de glaçons, choisir ON. Appuyer sur le commutateur NORM ICE. La production normale de glaçons devrait fournir environ 25 lb de glaçons au cours d'une période de 24 heures.
 - Pour commencer le programme de production maximale de glaçons, choisir ON. Appuyer sur le commutateur TWICE ICE. La machine à glaçons produira ensuite environ 50 lb de glaçons au cours d'une période de 24 heures. Ce programme devrait être choisi quand vous avez un besoin prochain d'une quantité de glaçons clairs, propres et lorsque le bac à glaçons est de bas à vide.
2. Pour arrêter la machine à glaçons, appuyer sur OFF.

2 LEVEL ICE CAPACITY • 3 CYCLE • SELF CLEANING



REMARQUE : Le réglage CLEAN CYCLE est utilisé lorsqu'on fait circuler des solutions dans la machine à glaçons pour le nettoyage. Seuls la pompe à eau et le compresseur fonctionnent à ce réglage. Voir la section "Nettoyage du système de la machine à glaçons".

ENTRETIEN DE LA MACHINE À GLAÇONS

Inspecter périodiquement et nettoyer la machine à glaçons pour qu'elle fonctionne toujours à son efficacité maximum et pour prévenir toute panne prématurée de ses composants.

Il faut nettoyer régulièrement la machine à glaçons ainsi que son condenseur refroidi à l'air.

Les minéraux rejetés par la circulation de l'eau pendant la congélation formeront éventuellement un dépôt dur dans le système, ce qui empêchera le dégagement rapide de la glace de la plaque de congélation.

Nettoyer périodiquement le système de formation des glaçons et le système d'alimentation en eau pour retirer les dépôts calcaires. La fréquence des nettoyages sera fonction de la dureté de l'eau. Lorsque l'eau est dure (15 à 20 grains/gal. [4 à 5 grains/litre]), vous devrez faire des nettoyages probablement à tous les six mois.

Nettoyage des surfaces extérieures

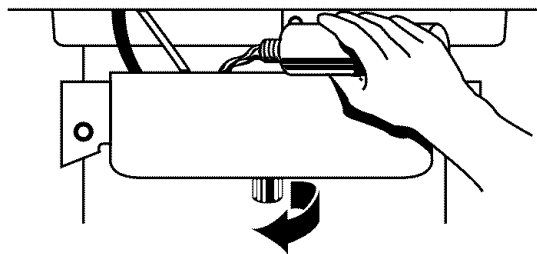
Laver les surfaces extérieures en émail et les joints étanches avec de l'eau chaude et un savon doux ou un détergent. Essuyer et laisser sécher. L'utilisation régulière d'un bon produit de nettoyage et de cire domestique aidera à protéger la finition. Ne pas utiliser de produits de nettoyage abrasifs sur les surfaces émaillées pour ne pas érafler la finition.

Pour les produits avec surface extérieure en acier inoxydable, utiliser une éponge ou un linge propre et un détergent doux avec de l'eau chaude. Ne pas utiliser de produits de nettoyage abrasifs ou rudes.

Nettoyage du système de la machine à glaçons

REMARQUE : Utiliser une bouteille de 16 oz (473 mL) de NU-CALGON[®], un nettoyant de machine à glaçons sauf pour le nickel.

1. Placer le sélecteur en position OFF.
2. Attendre de 5 à 10 minutes que la glace tombe dans le bac d'entreposage. Retirer toute la glace du bac d'entreposage.
3. Dévisser le capuchon de vidange du bas du bac à eau situé à l'intérieur du bac d'entreposage (voir l'illustration). Laisser l'eau se vidanger complètement.
4. Remettre le capuchon de vidange en place.
5. Lire et suivre toutes les instructions apparaissant sur la bouteille avant de suivre les étapes suivantes. Utiliser une bouteille de 16 oz (473 mL) de NU-CALGON[®], un nettoyant de machine à glaçons sauf pour le nickel.
6. Verser une bouteille de cette solution dans le bac à eau. Remplir la bouteille à deux reprises avec de l'eau du robinet et verser le contenu dans le bac à eau.



7. Placer le sélecteur en position CLEAN (nettoyage). (Voir la section "Réglage des commandes.") Le voyant s'allume pour indiquer que le cycle de nettoyage est en cours. Lorsque le voyant indicateur s'éteint (après 45 minutes environ), le cycle de nettoyage est terminé. Pendant le cycle de nettoyage, le système se nettoie et se rince.
8. Lorsque le cycle de nettoyage est terminé, retirer le capuchon de vidange du bac à eau pour voir s'il reste encore un résidu de solution de nettoyage dans le bac à eau. Si la solution de nettoyage se vidange du bac à eau, recommencer le cycle de nettoyage.

REMARQUE : Les accumulations importantes de calcaire pourraient nécessiter des nettoyages répétés avec une solution de nettoyage neuve.

9. Remettre le sélecteur en position ON pour recommencer la production de glaçons.

Nettoyage du condenseur

⚠ AVERTISSEMENT



Risque de choc électrique

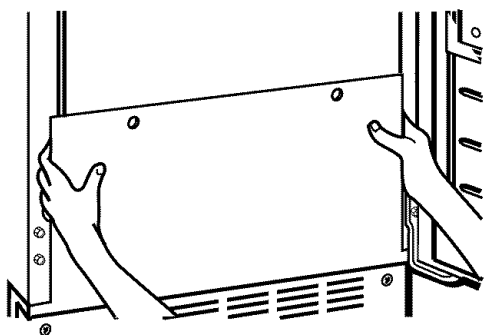
Déconnecter la source de courant électrique avant le nettoyage.

Replacer tous les panneaux avant de faire la remise en marche.

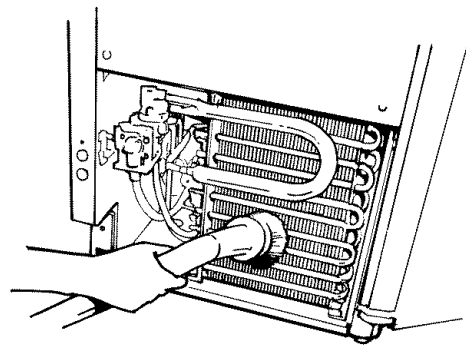
Le non-respect de ces instructions peut causer un décès ou un choc électrique.

Un condenseur sale ou bouché :

- Empêche l'air de bien circuler.
 - Réduit la capacité de production des glaçons.
 - Entraîne des températures d'utilisation supérieures à celles recommandées, ce qui pourrait entraîner des pannes.
1. Débrancher la machine à glaçons ou déconnecter la source de courant électrique.
 2. Retirer les deux vis du panneau d'accès inférieur et les deux vis de la grille de base du support du panneau avant. Tirer vers l'avant pour retirer le panneau d'accès inférieur.
 3. Tirer le bas vers l'avant, puis tirer vers le bas pour retirer le panneau d'accès inférieur.



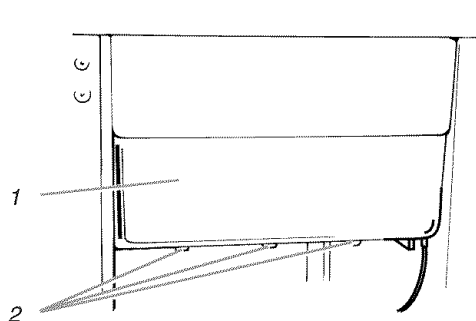
4. Retirer la saleté et la charpie déposées sur les ailettes du condenseur et du logement de l'unité de condensation à l'aide de la brosse d'un aspirateur.



5. Remettre le panneau d'accès inférieur en place et le fixer à l'aide des quatre vis.
6. Brancher la machine à glaçons ou reconnecter la source de courant électrique.

Nettoyage des composants intérieurs

1. Débrancher la machine à glaçons ou déconnecter la source de courant électrique.
2. Ouvrir la porte où se trouve le bac à glaçons et retirer tout glaçon qui s'y trouve.
3. Retirer le capuchon de vidange du réservoir d'eau et vidanger ce dernier complètement. Remettre le capuchon en place.
4. Retirer les trois vis qui retiennent le couvercle de la grille de coupe en place.
5. Débrancher le faisceau de câblage de la gauche de la grille de coupe.

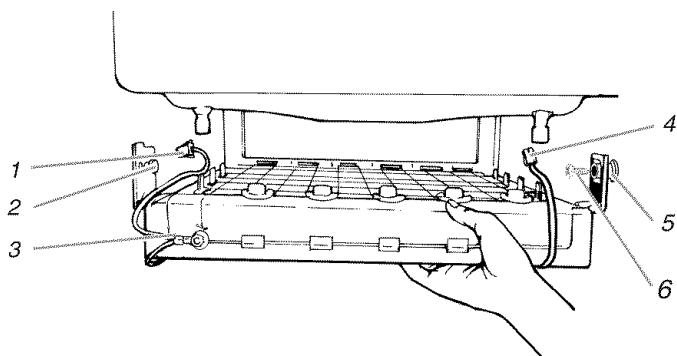


1. Couvercle de la grille de coupe
2. Vis

6. Débrancher le détecteur de niveau de glaçons de la droite de la grille de coupe. Tirer le détecteur de niveau vers le bas et vers l'avant pour l'éloigner de la grille de coupe.

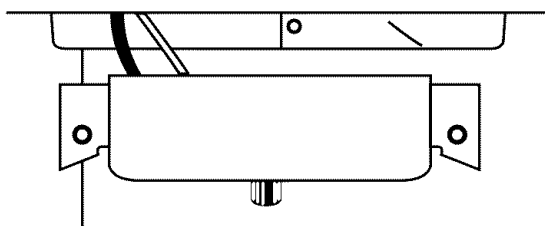
7. Retirer la vis de droite et desserrer la vis de gauche. Lever la grille de coupe en la passant par-dessus la vis de gauche.

REMARQUE : Il faut s'assurer que la cale d'écartement en plastique du côté droit du support de la grille de coupe suit cette dernière.



1. Faisceau de la grille de coupe
2. Vis
3. Grille de coupe
4. Faisceau du détecteur de niveau de glaçons
5. Cale d'écartement en plastique
6. Vis

8. Retirer les deux vis retenant le bac à eau en place. Appuyer avec une main sur l'avant du bac tout en tirant vers l'avant sur le côté arrière inférieur.



9. Laver les composants intérieurs (grille de coupe, l'extérieur des tuyaux et le bac à eau), le bac d'entreposage des glaçons, le joint étanche de la porte et la pelle à glaçons avec de l'eau tiède et un savon ou un détergent doux. Rincer avec de l'eau propre. Nettoyer ensuite ces mêmes composants à l'aide d'une solution comprenant 1 cuillerée à soupe (15 mL) d'agent de blanchiment dans 1 gallon (3,8 L) d'eau tiède. Rincer à nouveau à fond avec de l'eau propre.

REMARQUE : Ne pas retirer les tuyaux. Ne pas laver les composants en plastique au lave-vaisselle. Ces composants ne résistent pas à des températures supérieures à 145°F (63°C).

10. Remettre le bac à eau en place en appuyant sur le fond avec une main tout en poussant vers le haut et vers l'arrière sur le dessus. Fixer le bac à eau en mettant les deux vis en place.

11. Faire les vérifications suivantes :

- Le capuchon de vidange du bac à eau est en place.
- Le tuyau provenant du bac à eau est inséré dans l'ouverture de vidange du bac d'entreposage.

12. Glisser la grille de coupe en place et la fixer en remettant la vis du côté droit et la cale d'espacement en plastique. Serrer ensuite la vis de gauche. Rebrancher les faisceaux de câblage de la grille de coupe et du détecteur de niveau de glaçons.

13. Brancher la machine à glaçons ou reconnecter la source de courant électrique.

Précautions à prendre pour les vacances ou le déménagement

⚠ AVERTISSEMENT



Risque de choc électrique

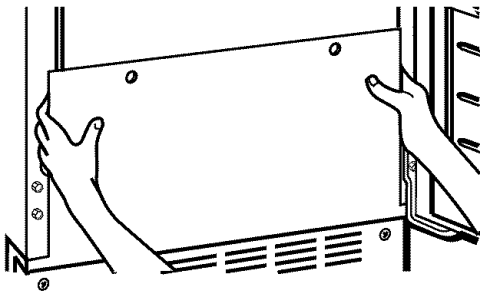
Déconnecter la source de courant électrique avant l'entretien.

Replacer tous les panneaux avant de faire la remise en marche.

Le non-respect de ces instructions peut causer un décès ou un choc électrique.

Arrêt de la machine à glaçons :

1. Débrancher la machine à glaçons, ou interrompre l'alimentation de l'appareil.
2. Enlever tous les glaçons du réceptacle.
3. Interrompre l'arrivée d'eau.
4. Enlever les deux vis du panneau de l'ouverture d'accès inférieure et les deux vis de la grille de plinthe (support du panneau avant). Tirer vers l'avant pour enlever le panneau de l'ouverture d'accès inférieure.



5. Déconnecter les canalisations d'entrée et sortie sur la vanne à eau. Laisser l'eau s'écouler des canalisations, puis reconnecter les canalisations.
6. Réinstaller le panneau de l'ouverture d'accès inférieure et les vis.
7. Évacuer l'eau du plateau de récupération (ôter le bouchon de drainage).
8. Si la température de la pièce s'abaissera à moins de 32° F (0° C), éliminer tout résidu d'eau dans le conduit de drainage.

Machine à glaçons avec pompe de drainage :

- a) Brancher la machine à glaçons ou rétablir l'alimentation de l'appareil.
 - b) Arrêter la machine à glaçons, et enlever tous les glaçons du réceptacle.
 - c) Verser 1 litre d'eau dans le réceptacle à glaçons près de l'orifice de drainage, et attendre environ cinq minutes. Ceci permettra à l'eau de s'écouler depuis le réceptacle jusqu'à la pompe de drainage pour que la pompe puisse évacuer toute l'eau qui reste dans le réceptacle et dans la pompe.
 - d) Débrancher la machine à glaçons, ou interrompre l'alimentation de l'appareil.
9. Avant d'utiliser l'appareil de nouveau, nettoyer la machine à glaçons et le réceptacle à glaçons.
 10. Brancher la machine à glaçons ou rétablir l'alimentation de l'appareil.

REMARQUE : Tous les composants de la machine à glaçons ont reçu une lubrification permanente à l'usine. Aucune autre lubrification ne devrait être nécessaire durant toute la vie normale de la machine.

DÉPANNAGE

Essayer d'abord les solutions suggérées ci-dessous pour éviter le coût d'une visite de service inutile.

L'appareil ne fonctionne pas

- **Le bouton de commande est-il réglé à "ON" (MARCHE)?**
S'assurer que le bouton de commande est réglé à "ON".
 - **Le cordon d'alimentation est-il branché?**
Brancher fermement le cordon d'alimentation sur une prise active de tension appropriée.
 - **Un fusible a-t-il sauté ou un disjoncteur s'est-il déclenché?**
Remplacer le fusible ou réenclencher le disjoncteur.
 - **La température ambiante est-elle inférieure à la normale?**
La température ambiante devrait être supérieure à 55°F (13°C). Sinon, le thermostat du bac pourrait être sensible aux basses températures et pourrait cesser de fonctionner même si le bac à glaçons n'est pas plein. De plus, une fois arrêtée, la machine risque de ne plus repartir.
-

La machine fonctionne, mais ne produit pas de glace

- **Le bouton de commande est-il réglé à "ON" (MARCHE)?**
S'assurer que le bouton de commande est réglé à "ON".
 - **A-t-on effectué le raccord de la conduite d'alimentation en eau?**
S'assurer que la conduite d'alimentation en eau est bien raccordée et ouverte.
-

La machine fonctionne, mais produit très peu de glace

- **La température ambiante est-elle supérieure à la normale?**
Les températures ambiantes supérieures à 90°F (32°C) réduiront normalement la production de la glace.
 - **Le condenseur est-il sale?**
De la saleté ou de la charpie empêche peut-être l'air de circuler entre les ailettes du condenseur. Voir la section "Nettoyage du condenseur".
 - **Des dépôts se sont-ils formés dans la machine à glaçons?**
Si un dépôt de tartre blanc apparaît dans le système d'eau ou de congélation de la machine à glaçons, vous devriez nettoyer la machine à glaçons. Voir les sections "Nettoyage du système de la machine à glaçons" et "Nettoyage des composants intérieurs".
-

La grille de coupe ne taille pas les plaques de glace en glaçons

- **La grille de coupe est-elle bien en place?**
Débrancher la machine à glaçons ou déconnecter la source de courant. Sortir le couvercle de la grille de coupe et vérifier que le faisceau des fils conducteurs de la grille de coupe est branché solidement.
-

Les glaçons ont un goût

- **Y a-t-il un taux de minéraux inhabituellement élevé dans l'eau?**
L'eau devrait peut-être être filtrée ou traitée.
 - **Des aliments ont-ils été rangés dans le bac à glaçons?**
Ne pas ranger d'aliments dans le bac à glaçons.
 - **Tous les matériaux d'emballage ont-ils été enlevés?**
S'assurer que tous les matériaux d'emballage sont enlevés au moment de l'installation.
-

**In U.S.A. or Canada
for in-home major brand repair service:**

Call 24 hours a day, 7 days a week

1-800-4-MY-HOMESM (1-800-469-4663)

Para pedir servicio de reparación a domicilio – 1-800-676-5811

Au Canada pour tout le service – 1-877-LE-FOYERSM (1-877-533-6937)

For the repair or replacement parts you need:

Call 6 a.m. – 11 p.m. CST, 7 days a week

PartsDirectSM

1-800-366-PART (1-800-366-7278)

www.sears.com/partsdirect

Para ordenar piezas con entrega a domicilio – 1-800-659-7084

For the location of a Sears Service Center in your area:

Call 24 hours a day, 7 days a week

1-800-488-1222

To purchase or inquire about a Sears Maintenance Agreement:

Call 7 a.m. – 5 p.m. CST, Monday – Saturday

1-800-827-6655

