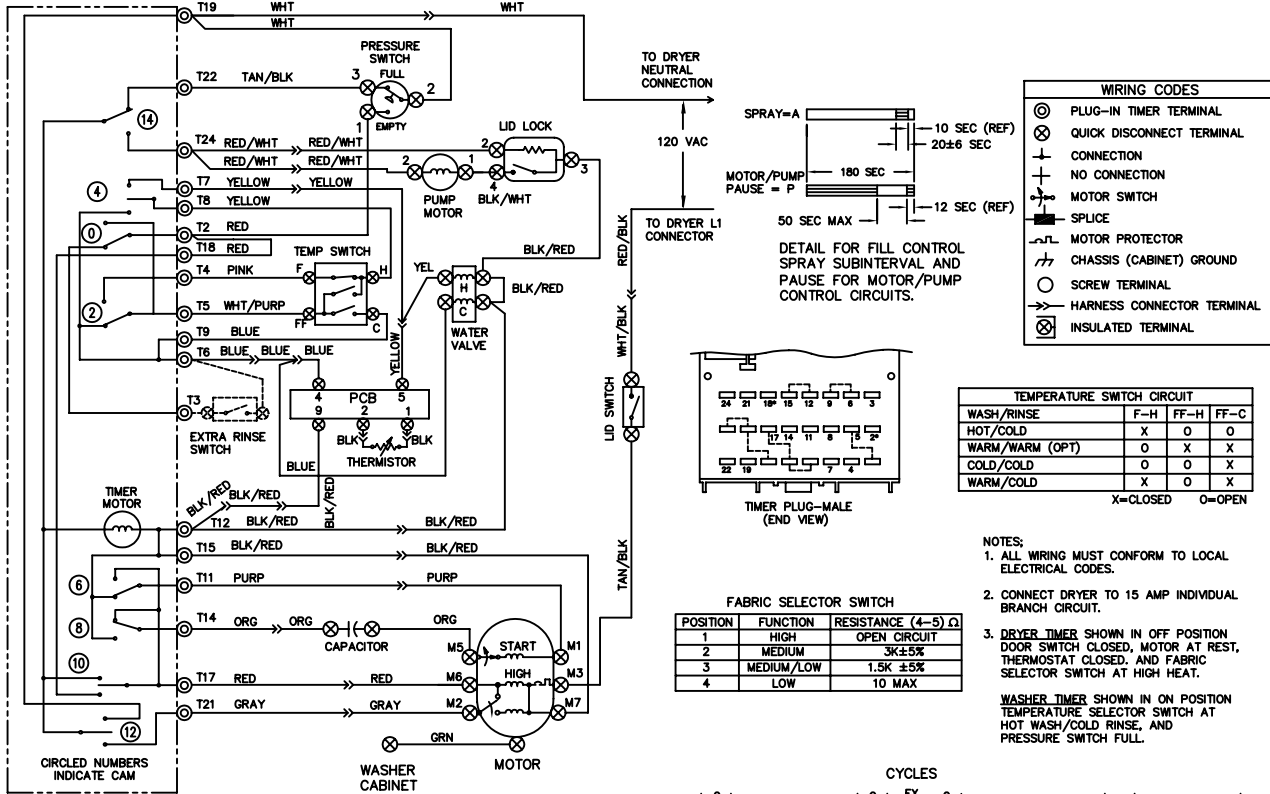
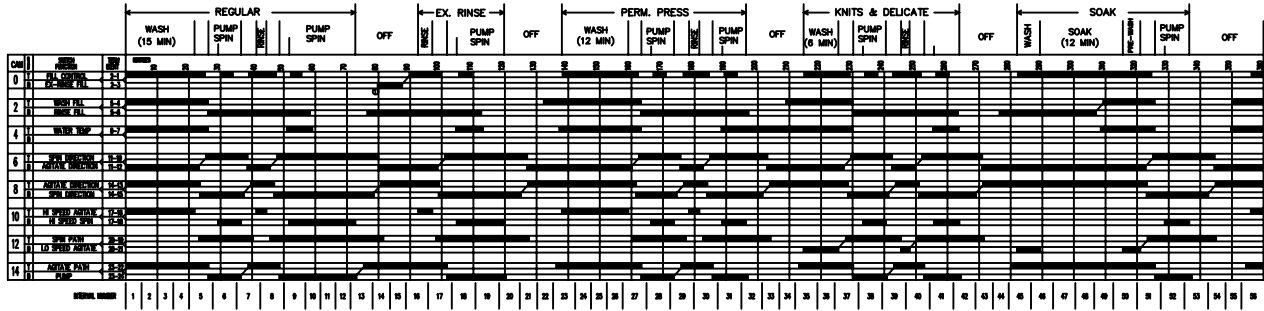


CAUTION: DISCONNECT ELECTRIC CURRENT BEFORE SERVICING. LABEL ALL WIRES PRIOR TO DISCONNECTION WHEN SERVICING CONTROLS. WIRING ERRORS CAN CAUSE IMPROPER AND DANGEROUS OPERATION. VERIFY PROPER OPERATION AFTER SERVICING.



WIRING CODES

- ⊙ PLUG-IN TIMER TERMINAL
- ⊗ QUICK DISCONNECT TERMINAL
- CONNECTION
- + NO CONNECTION
- ⊣ MOTOR SWITCH
- SPULSE
- ⌋ MOTOR PROTECTOR
- ⌋ CHASSIS (CABINET) GROUND
- SCREW TERMINAL
- HARNESS CONNECTOR TERMINAL
- ⊠ INSULATED TERMINAL

TEMPERATURE SWITCH CIRCUIT

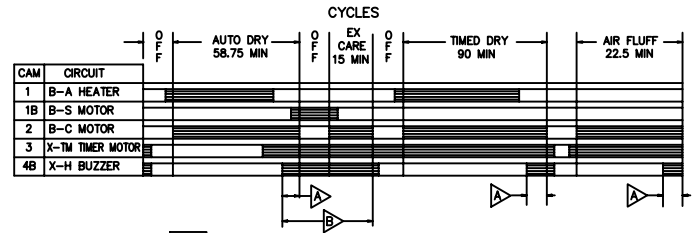
	F-H	FF-H	FF-C
WASH/RINSE	X	0	0
HOT/WARM (OPT)	0	X	X
COLD/COLD	0	0	X
WARM/COLD	X	0	X

X=CLOSED 0=OPEN

FABRIC SELECTOR SWITCH

POSITION	FUNCTION	RESISTANCE (4-5) Ω
1	HIGH	OPEN CIRCUIT
2	MEDIUM	3K ±5%
3	MEDIUM/LOW	1.5K ±5%
4	LOW	10 MAX

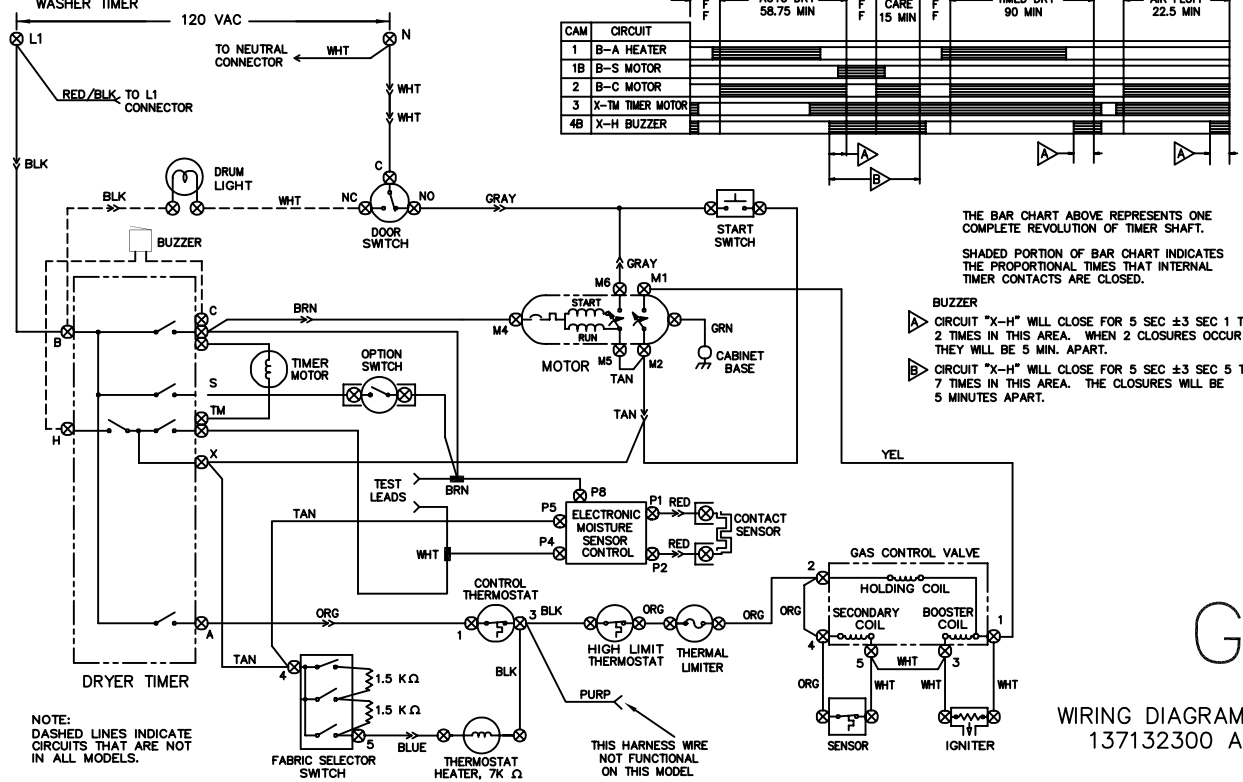
- NOTES:**
- ALL WIRING MUST CONFORM TO LOCAL ELECTRICAL CODES.
 - CONNECT DRYER TO 15 AMP INDIVIDUAL BRANCH CIRCUIT.
 - DRYER TIMER SHOWN IN OFF POSITION DOOR SWITCH CLOSED, MOTOR AT REST, THERMOSTAT CLOSED, AND FABRIC SELECTOR SWITCH AT HIGH HEAT.
- WASHER TIMER SHOWN IN ON POSITION TEMPERATURE SELECTOR SWITCH AT HOT WASH/COLD RINSE, AND PRESSURE SWITCH FULL.



THE BAR CHART ABOVE REPRESENTS ONE COMPLETE REVOLUTION OF TIMER SHAFT. SHADED PORTION OF BAR CHART INDICATES THE PROPORTIONAL TIMES THAT INTERNAL TIMER CONTACTS ARE CLOSED.

BUZZER

- ▶ CIRCUIT "X-H" WILL CLOSE FOR 5 SEC ±3 SEC 1 TO 2 TIMES IN THIS AREA. WHEN 2 CLOSURES OCCUR THEY WILL BE 5 MIN. APART.
- ▶ CIRCUIT "X-H" WILL CLOSE FOR 5 SEC ±3 SEC 5 TO 7 TIMES IN THIS AREA. THE CLOSURES WILL BE 5 MINUTES APART.



NOTE: DASHED LINES INDICATE CIRCUITS THAT ARE NOT IN ALL MODELS.

THIS HARNESS WIRE NOT FUNCTIONAL ON THIS MODEL