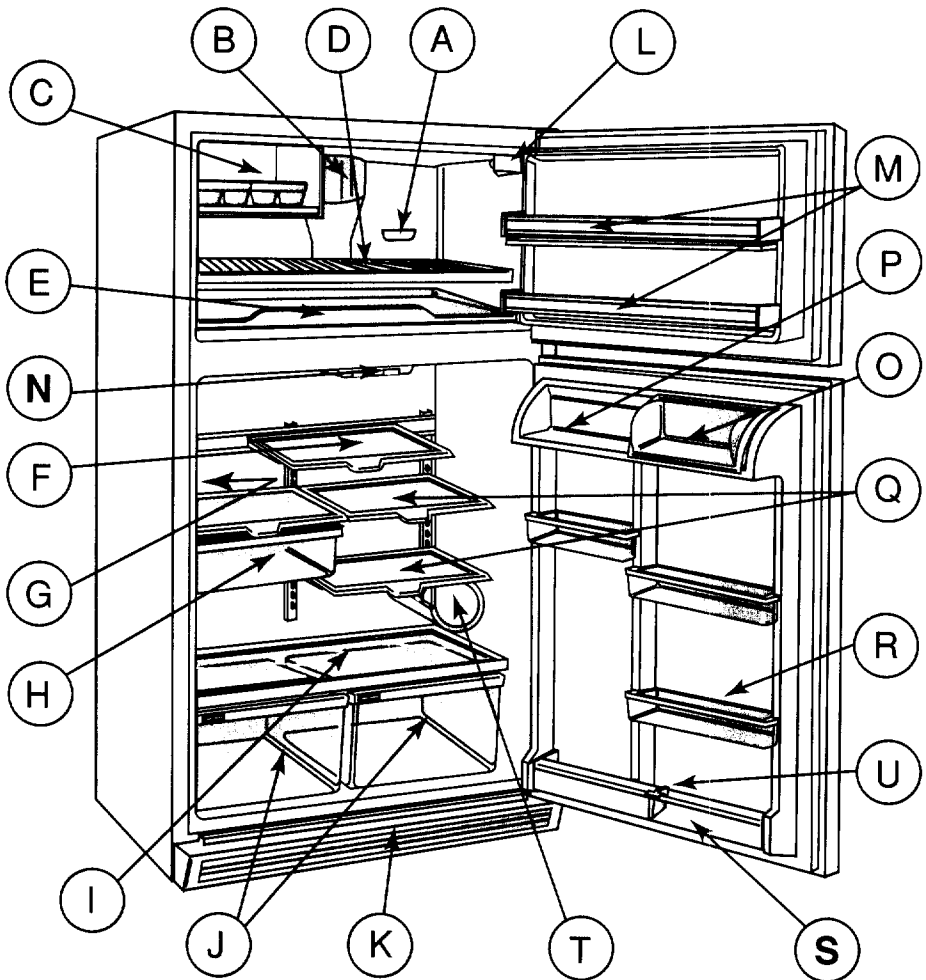


## DESCRIPTION OF THE REFRIGERATOR



- A - Freezer shelf apron
- B - Air conveyor
- C - Shelf with ice cube trays
- D - Freezer shelf
- E - Pull-out freezer bottom shelf
- F - Sliding and adjustable glass shelf
- G - Rating plate (on side wall)
- H - Meat drawer
- I - Vegetables drawer lid
- J - Vegetables drawers with moisture control device
- K - Leveling screws (behind front grille)

- L - Freezer compartment lamp
- M - Fixed freezer door shelves
- N - Temperature control panel
- O - Sliding multipurpose container
- P - Sliding tray
- Q - Adjustable glass shelves
- R - Adjustable door containers
- S - Bottom door shelf
- T - Hanging bottle holder
- U - Bottle safety support

7-99

## BEFORE USING THE REFRIGERATOR

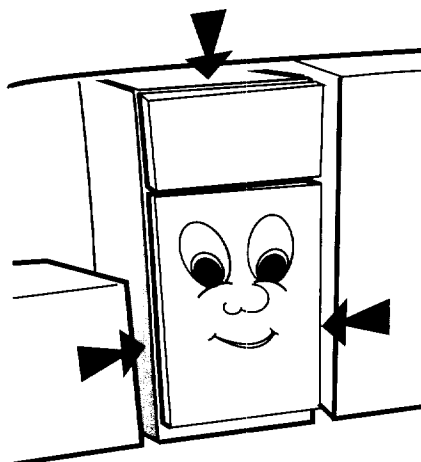
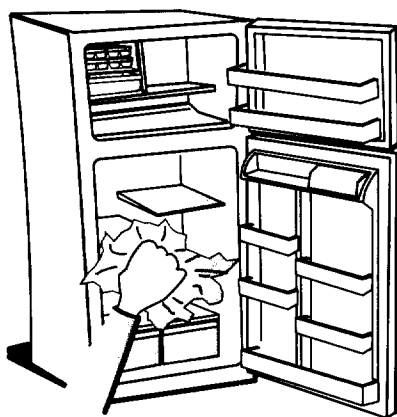
- After unpacking, make sure that the appliance is undamaged and that the door closes perfectly tight. Any damage must be reported to your retailer within 24 hours after delivery of the appliance.
- The packaging box is recyclable and is marked with the recycling symbol ♻️.
- The appliance is built with reusable material. When scrapping, follow the local environment protection disposal regulations. To avoid the risk of children being trapped and therefore suffocating, do not allow them to play or hide inside the refrigerator. Render the refrigerator inoperative by removing the doors and cutting the power cable off. Do not dump the appliance. Take it to the local disposal centre so that the refrigerator may be properly recovered and treated.
- Make sure that the installation and the electrical connection are carried out by a qualified technician according to the manufacturer's instructions and local safety regulations.

### Precautions and general suggestions

- Use the refrigerator compartment only for the storage of fresh food and the freezer compartment only for the storage of frozen food, the freezing of fresh food, and to make ice cubes.
- After installation, make sure that the refrigerator does not stand on the power cable.
- Do not store glass containers with liquids in the freezer since they may burst.
- Do not eat ice cubes or ice lollies immediately after taking them out of the freezer since they may cause "cold" burns.
- Before carrying out any maintenance or cleaning, always unplug the appliance or disconnect the power supply.
- Do not store or use gasoline or other flammable vapours and liquids in the vicinity of this or any other appliance. The fumes can create a fire hazard or explosion.

### Installation

- Make sure that your refrigerator is not near a heat source.
- Place it in a dry and well ventilated room.
- If the refrigerator is installed below a kitchen cabinet, leave a 1,25 cm gap above the appliance.
- Clean the inside of the refrigerator before using it.
- Let the refrigerator stand (don't move it) for at least one hour before connecting it to the power supply.
- The ice maker should be connected to a water supply that delivers drinkable or chemically purified water.
- Install and level the refrigerator on a floor that will hold the weight and in an area suitable for its size and use.
- Do not use the refrigerator in an area where the room temperature will fall below 13°C.



## BEFORE USING THE REFRIGERATOR

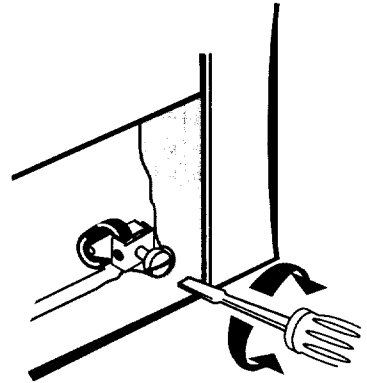
### Declaration of conformity

- This appliance is designed to store food and is manufactured in conformity with EEC directive No. 89/109.
- This appliance has been designed, built, and marketed in compliance with:
  - the safety targets of the Low Voltage EEC Directive 73/23;
  - the protection requirements of the "EMC" EEC Directive 89/336 amended by EEC Directive 93/68.
- This appliance is free of CFC's (refrigerant circuit contains R134a). For more details, please refer to the rating plate on the appliance.

### Leveling

If necessary, it is possible to level the appliance by turning the two leveling screws on the refrigerator bottom, one on the right and the other on the left, immediately behind the front grille, as follows:

- remove the front grille;
- turn one screw or both, clockwise to raise the appliance;
- turn one screw or both, anticlockwise to lower the appliance;
- check if desired leveling has been reached;
- put the front grille back into place.



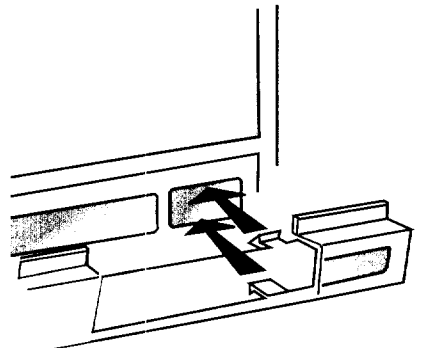
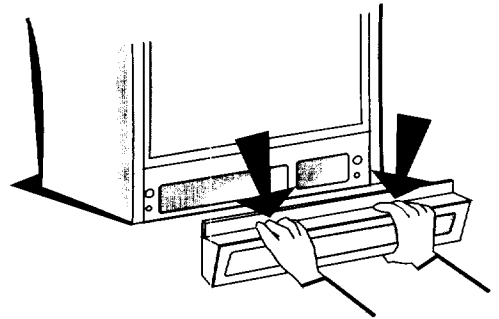
### How to remove the front grille

To remove the grille:

- open the refrigerator door;
- grab the grille with both hands;
- press the upper part of the grille to release it from the two side locks;
- rotate the grille towards you;
- pull it completely away.

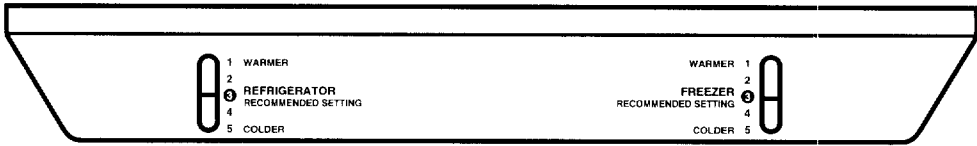
To put the grille back into place:

- carry out the above operations in reverse order.



# HOW TO OPERATE THE REFRIGERATOR/FREEZER

## Setting the controls



The refrigerator temperature may be regulated as follows:

- "warmer"
- "colder"

The freezer temperature may be regulated as follows:

- "warmer"
- "colder"

Controls for the refrigerator and freezer are in the refrigerator. When you plug in the refrigerator for the first time:

- set the Refrigerator Control to 3 (Recommended Setting). Refrigerator Control settings range from 1 (warmer) to 5 (cooler).
- set the Freezer Control to 3 (Recommended Setting). Freezer Control settings range from 1 (warmer) to 5 (cooler).

Allow 24 hours between adjustments.

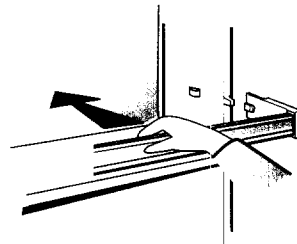
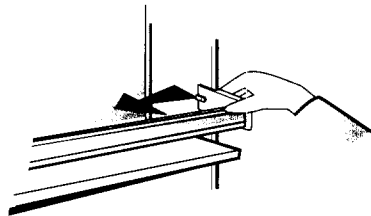
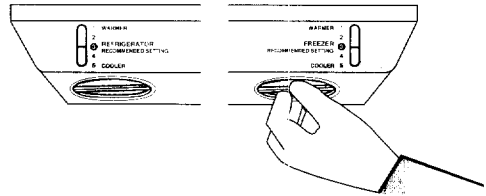
Give the refrigerator time to cool down completely before adding food. This may take several hours. The settings indicated above should be correct for normal household refrigerator usage. The controls are set correctly when milk or juice is as cold as you like and when ice cream is firm.

### Removal of lower shelf on freezer door (on some models)

- gently press the two side supports of the shelf towards the inside until it is released from the corresponding pawls.

To reposition it:

- align the two ends with the pawls on the freezer door;
- press the shelf until it securely snaps back into its former position.



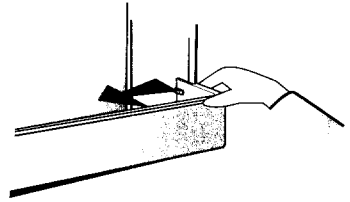
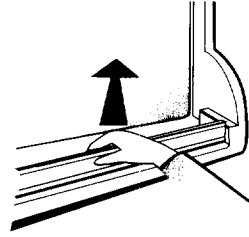
## HOW TO OPERATE THE REFRIGERATOR/FREEZER

### Removal of pull-out shelf on freezer door

- pull out by lifting the ends of the shelf.

To reposition it:

- place the two ends close to the corresponding side drafts;
- press the shelf down until it is blocked.

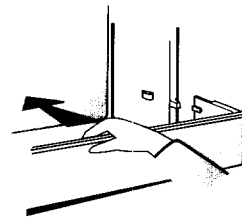


### Removal of lower shelf on refrigerator door (on some models)

- gently press the two side supports of the shelf towards the inside until it is released from the corresponding pawls.

To reposition it:

- align the two ends with the pawls on the refrigerator door;
- press the shelf until it securely snaps back into its former position.



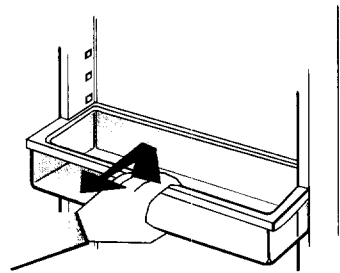
### Rearrangement of the containers on the refrigerator door

To remove the container:

- raise the container upwards;
- pull out the container from the front.

To reposition it:

- align the container with the supports of the newly chosen position;
- press from the front until it stops.



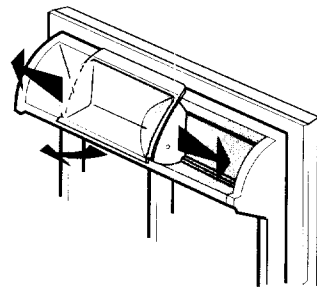
### Rearrangement of the multipurpose container and of the butter tray

The tray may slide from one end to the other of the shelf for greater convenience and may be fixed in several positions.

Find the position that suits you best.

To rearrange the multipurpose container or the butter tray:

- slightly raise the front side;
- slide into the desired position;
- lower the front side until it snaps into position.



## HOW TO OPERATE THE REFRIGERATOR/FREEZER

### Rearrangement of the rack shelves inside the refrigerator

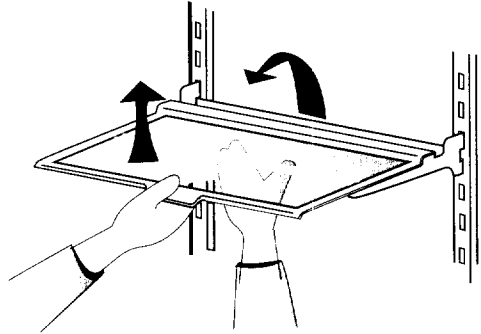
The glass shelves inside the refrigerator may be positioned according to your needs and are strong enough to hold bottles, milk cartons, or heavy food.

To remove the shelves:

- raise the front side;
- raise the back side;
- pull them completely out.

To reposition the shelves:

- insert the hooks on the back in the slots of the rack rail;
- raise the front side of the shelf until it fits into the slots;
- lower the front side back to its level position.

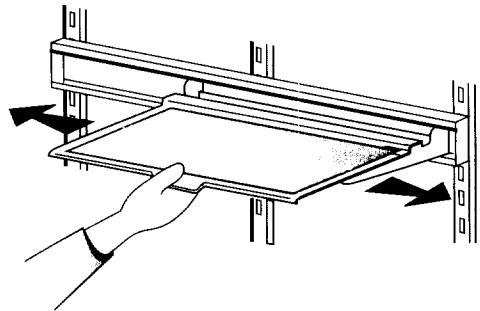


### Rearrangement of the sliding glass shelf inside the refrigerator

The glass shelf may slide from one side of the refrigerator to the other for greater convenience in storing food.

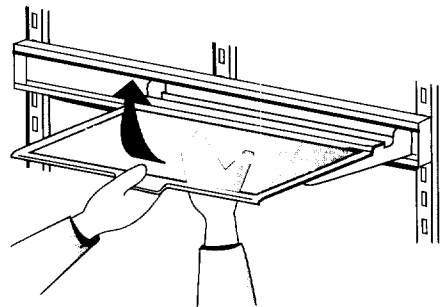
To slide the shelf:

- slightly raise the front side;
- slide it into the desired position;
- lower the front side back to its level position.



To remove the shelf:

- hold the back side of the shelf firmly with one hand;
- raise the front side until it reaches a 45° angle;
- slowly lower it until the hooks of the rail on the back panel of the refrigerator come loose;
- finally pull the shelf out from the front.

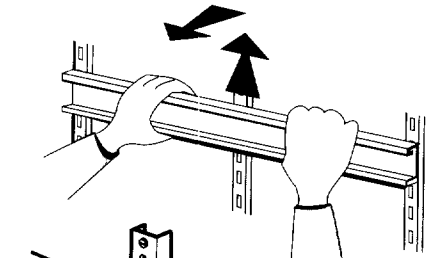


**NOTE:** This shelf is rather heavy so use both hands when you remove it.

## HOW TO OPERATE THE REFRIGERATOR/FREEZER

### Removal of the sliding shelf's rail

- slightly raise both ends of the rail;
  - pull the rail completely out from the front.
- To reposition the rail:
- align the rail hooks with the corresponding supports on the rack-track rail.

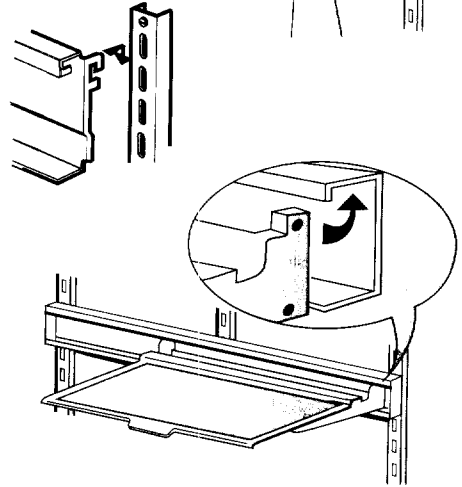


**NOTE:** Make sure that all the hooks are aligned with the rail supports and that they are all on the same level.

- keeping the rail pressed on the supports, push it downwards;
- finally check that the rail is well fixed on the corresponding supports.

To reposition the shelf on the rail:

- firmly hold the shelf with both hands;
- raise the front side by approximately 45°;
- insert both sides of the shelf in the upper run channel of the rail;
- lower the front side back to its level position.



### Removal of the meat drawer and its lid

To remove the meat drawer:

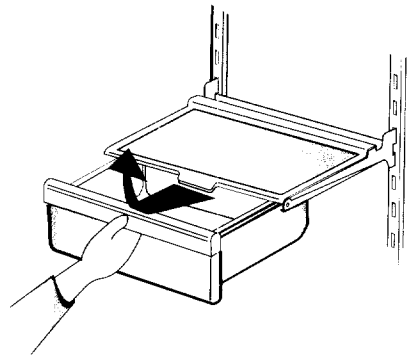
- slide the meat drawer out until it stops;
- raise the front side of the drawer;
- slide the drawer completely out;

To reposition it, carry out the above operations in reverse order.

To remove the lid:

- raise the front side of the lid and then the back side;
- pull outwards.

To reposition, carry out the above operations in reverse order.



## HOW TO OPERATE THE REFRIGERATOR/FREEZER

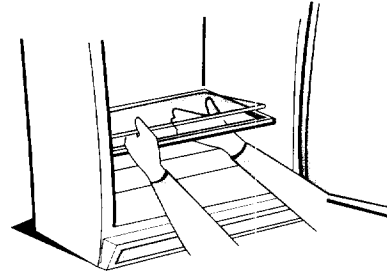
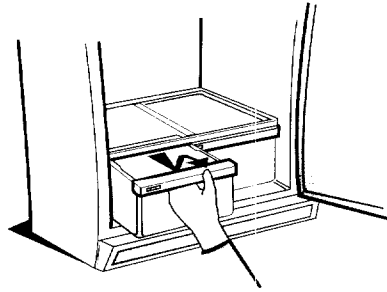
### Removal of the fruit and vegetable drawers (crispers) and the lid

To remove the drawers:

- slide the drawer out until it stops;
- raise the front side of the drawer;
- slide the drawer completely out;
- to reposition it, carry out the above operations in reverse order.

To remove the lid:

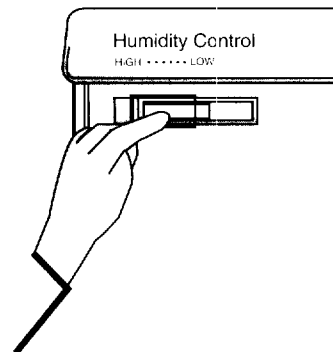
- push the glass part upwards;
- slide the lid out with both hands;
- raise the front side of the lid's frame and pull it out;
- remove the metal support of the lid;
- to reposition it, carry out the above operations in reverse order.



### Regulation of the moisture control device of the fruit and vegetable drawers (crispers) (on some models)

It is possible to control the moisture in the fruit and vegetables drawers. The control device may be set in any position from LOW to HIGH:

- LOW excludes damp air from the drawer for better preservation of fruit and vegetables with peel;
- HIGH keeps damp air inside the drawer for better preservation of leafy vegetables.



### Removal of the pull-out bottom shelf of the freezer compartment

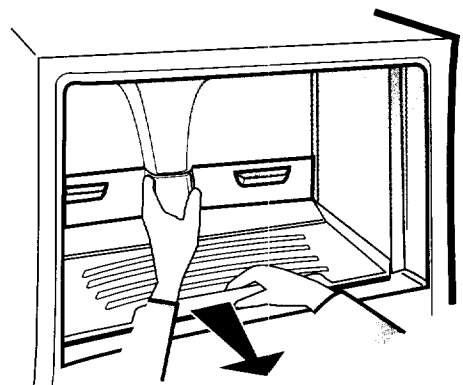
The bottom shelf of the freezer compartment may be pulled out for easy access to food stored at the back or to clean the compartment.

To remove the pull-out bottom shelf:

- free both the drafts on the compartment's back;
- pull out the bottom shelf for approximately 2.5 cm helping yourself with a hand resting on the air conveyor cover (at the back in the center) and by grabbing the front side in the center with the other hand;
- completely pull out the bottom shelf of the freezer.

To reposition the bottom shelf of the freezer:

- insert the back side at the back of the compartment;
- slide it until it fastens onto the hooks at the back of the compartment;
- align the back drafts with the corresponding pockets of the pull-out bottom shelf;
- firmly press the bottom shelf until it reaches its former position.





## HOW TO OPERATE THE REFRIGERATOR/FREEZER

### Rearrangement of the wire shelf inside the freezer

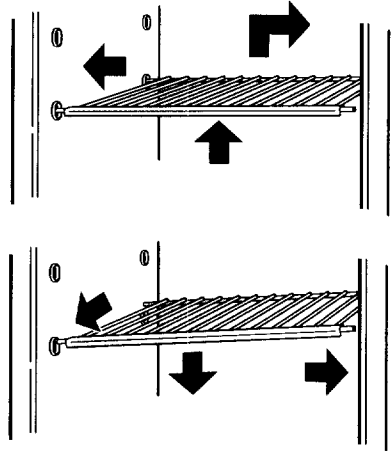
The wire shelves inside the freezer may be positioned according to your needs.

To remove the shelf:

- lift entire shelf slightly;
- move shelf all the way to one side;
- tilt other side up and out of shelf support cups;
- pull shelf up and out.

To replace the shelf:

- tilt the shelf and insert into freezer compartment;
- insert one end of the shelf all the way into the center of the shelf support cups;
- lower other end of shelf and insert into the shelf support cups;
- lower shelf into place.



**NOTE:** The shelf should lower slightly and lock into place. If the shelf does not appear sturdy, make sure both ends of the shelf are inserted into the shelf support cups.

## AUTOMATIC ICE MAKER (Optional)

The automatic ice maker is available as an optional at our Service Centres or local Retailer. Here are some suggestions on how to operate it:

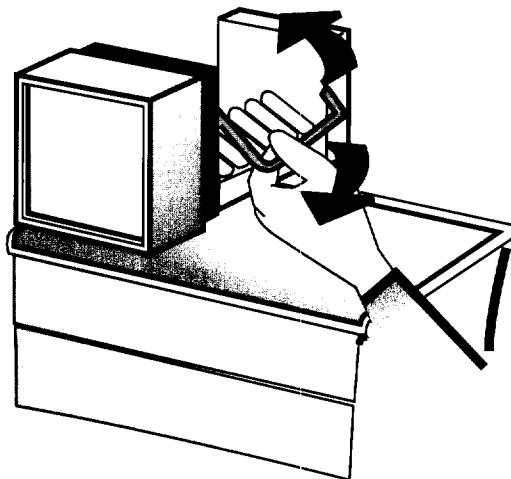
The ON/OFF lever indicates:

- Down: automatically makes ice;
- Up: ice maker stops.

**NOTE:** Do not run ice maker until it is connected to the water supply. Please refer to the instructions in the corresponding paragraph.

- The lever on the side of the ice maker changes the size of the cubes.
- Shake the bin occasionally to keep the cubes separated and to increase storage capacity.
- It is normal for ice crescents to be attached by a corner. They will break apart easily.
- You will hear water running when the ice maker is working. You will also hear ice fall into the bin. Don't let these sounds bother you.
- The ice maker will not operate until the freezer is cold enough to make ice. This normally takes overnight.
- Because of new plumbing connections, the first ice cubes may be discoloured or off-flavoured. Discard the first few batches of ice cubes.
- If ice is not being made fast enough and more ice is needed, turn the freezer thermostat to a higher number. Wait a day and, if necessary, turn the thermostat up to an even higher number.
- If you remove the ice cube bin, raise the lever to the OFF position (turns ice maker off). When you put the bin back into place, push it all the way in and lower the lever to the ON position (turns ice maker on).
- If ice cubes are stored for too long they may develop an off-flavour, like stale water. Discard them. The ice cubes in the bin may also become smaller due to evaporation.

Water softened with chemicals can damage the ice maker and lead to poor quality ice. If a softened water supply cannot be avoided, then it is important that the water softener is well maintained and operates properly.



## MAINTENANCE AND CLEANING

Before carrying out any maintenance or cleaning operation, always unplug the appliance or disconnect power supply.

Periodically clean the refrigerator and freezer compartments with a sponge dampened in a solution of lukewarm water and vinegar. Never use detergents or abrasives. Never clean refrigerator parts with flammable fluids. The fumes can create a fire hazard or explosion. Clean the outside with a sponge dampened in lukewarm water.

Dry with a soft cloth.

Periodically clean the defrost pan proceeding as follows:

- remove the front grille;
- remove the defrost pan and lift it;
- wash the defrost pan with warm water and mild liquid detergent;
- rinse and dry;
- reposition the defrost pan with the notched corner to the rear;
- make sure that the defrost drain tube is pointing into the pan;
- reposition the front grille.

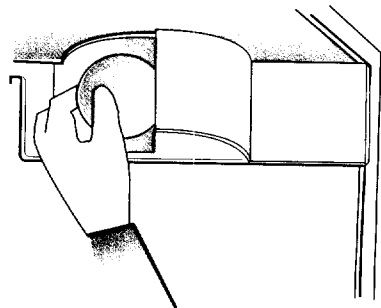
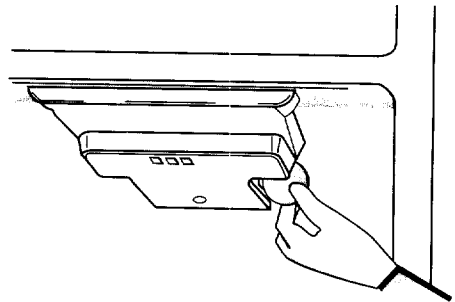
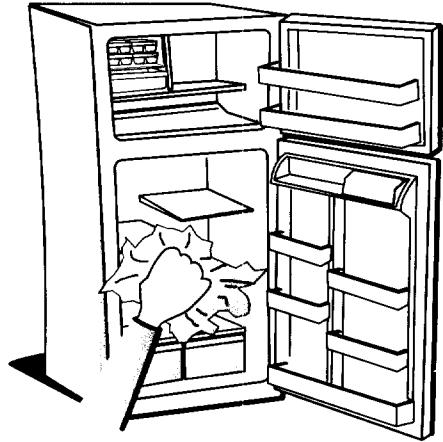
**NOTE:** The refrigeration system tubes are located near the defrost pan and can become hot. Periodically clean them with a vacuum cleaner.

### How to replace the refrigerator bulb

- always unplug the appliance;
- reach for the bulb behind the control panel;
- remove the burnt bulb;
- replace it with a similar bulb available only at our Service Centres or Authorized Retailers.

### How to replace the freezer bulb (on some models)

- always unplug the appliance;
- reach for the bulb behind the light screen;
- remove the burnt bulb;
- replace it with a similar bulb available only at our Service Centres or Authorized Retailers.



## VACATION

### Short vacation

There is no need to disconnect the refrigerator if you will be away for less than two weeks.

Use up perishable food, freeze other food. If your refrigerator has an automatic ice maker:

1. Turn it off.
2. Shut off the water supply to the ice maker.
3. Empty the ice bin.

### Long vacation

Remove all the food if you are going away for more than a month. If your refrigerator has an automatic ice maker, turn the water supply off at least a day before. When the last load of ice cubes drops, turn off the ice maker. Unplug the refrigerator and clean it, rinse well, and dry. Fix some wooden or plastic wedges with some tape to the upper part of both doors so as to leave the doors open enough to have air circulate inside both compartments. This will prevent odour and mold from setting in.

### Moving

- Take out all removable parts, wrap them well, and fix them together with adhesive tape so that they will not come loose or shake.
- Tighten the front leveling screws.
- Close and seal both doors with adhesive tape and, again using adhesive tape, fix the supply cord to the appliance.

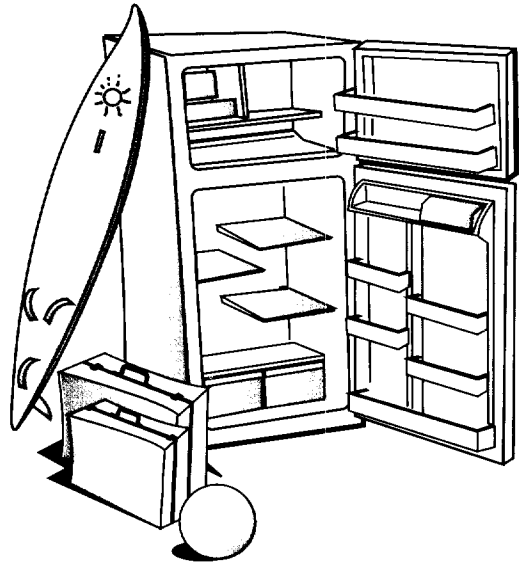
### Power failure

In case of power failure call the Electric Company and ask how long the interruption is going to last.

1. In case of a power failure lasting 24 hours or less, **keep both doors closed**. This will allow the food inside the appliance to stay cold as long as possible.
2. If the power failure is envisaged to last more than 24 hours, remove all frozen food and put it in a freezer with key lock. If this type of freezer is not available and, likewise, no artificial ice packs are available, try to use up the food which will thaw faster and which is more easily perishable.

3. Bear in mind that a freezer completely full of frozen food will keep cold for longer than a partially full one. Furthermore, a freezer full of frozen meat will keep cold much longer than a freezer full of pre-cooked food.

If the food still shows ice crystals, it is possible to re-freeze it without running any risk: however, the food will probably change texture and flavour. If the condition of the food is definitely poor and you feel like you would be running a risk by re-freezing it, you must throw it away.





## GUIDE TO FOOD STORAGE

liquid. Remember to add them when reheating. Cool as rapidly as possible and freeze at once. Liquid or semi-liquid recipes must be frozen in recommended containers leaving head space to allow for expansion. Casseroles and other more solid food can be frozen directly in containers suitable for baking.

### Freezing baked food and bread

Wrap bread in recommended material. Thaw inside the wrapping. Unbaked yeast bread can be frozen after the first rising. Punch down, wrap, and freeze. Bake cookies as usual. Cool and freeze on trays, then pack in recommended freezer bags or cartons. Unbaked cookies may be dropped, molded, or rolled and frozen on cookies trays. Store in bags or cartons. Bake without thawing. Fruit pies are best frozen unbaked. Bake without thawing.

### Food storage chart

Storage times will vary according to the quality of the food, the type of packaging or wrap used (moisture and vapour proof), and the storage temperature (which should be -18°C).

FOOD	STORAGE TIME
<b>FRUIT</b>	
Fruit juice concentrates	12 months
Fruit (general)	8 to 12 months
Citrus fruits and juices	4 to 6 months
<b>VEGETABLES</b>	
Commercially frozen	8 months
Home frozen	8 to 12 months
<b>MEAT</b>	
Sausages	4 weeks or less
Hamburgers	1 month
Beef, veal, lamb	2 to 3 months
<b>Roasts:</b>	
Beef	6 to 12 months
Lamb and veal	6 to 12 months
Pork	4 to 8 months
Fresh sausage	1 to 2 months

### Steaks and flat cuts:

Beef	8 to 12 months
Lamb, veal, pork	2 to 4 months

### FISH

Cod, flounder, sole	6 months
Salmon	2 to 3 months
Mackerel, perch	2 to 3 months
Battered fish (purchased)	3 months
Clams, oysters, cooked fish, crab	3 to 4 months
Raw shrimp	12 months

### POULTRY

Chicken or turkey (whole or parts)	12 months
Goose	6 months
Game, venison	2 to 3 months
Cooked poultry with gravy	6 months
Flat cuts (no gravy)	1 month

### STEWES

Meat, poultry, and fish	2 to 3 months
-------------------------	---------------

### DAIRY PRODUCTS

Butter	6 to 9 months
Margarine	12 months

### Cheese:

Camembert, mozzarella, cottage	3 months
Creamy cheeses	do not freeze
Brie, Emmenthal, Suisse, etc.	6 to 8 weeks
(Freezing may alter cheese texture)	
Ice cream, fruit juices, milk	12 months

### EGGS

Whole (beaten), whites, yolks	12 months
(Add sugar or salt to yolks or whole beaten eggs)	

### BAKED GOODS

Yeast bread and rolls	3 months
Unbaked bread	1 month
Croissants	3 months
Cakes, unfrosted	2 to 4 months
Cakes, frosted	6 to 12 months
Fruit pies	12 months
Cookie dough	3 months
Pie dough only	4 to 6 months

In case of power failure the freezer compartment keeps the storage temperature for approximately 12 hours; during this time we

## GUIDE TO FOOD STORAGE

suggest to leave the door of the compartment closed.  
Do not re-freeze partially thawed food.

### Thawing

Here are some helpful hints:

**Raw vegetables:** do not thaw, put straight into boiling water and cook as usual.

**Meat** (large cuts): thaw in the refrigerator compartment without unwrapping. Before cooking leave at room temperature for some hours.

(small cuts): thaw at room temperature or cook directly.

**Fish:** thaw in the refrigerator compartment without unwrapping or cook directly before complete thawing.

**Previously cooked food:** heat in oven without removing it from its aluminium containers.

**Fruit:** thaw in the refrigerator compartment.

**NOTE:** Do not put warm foods in the freezer.

## TROUBLESHOOTING GUIDE/SERVICE

Before calling for Service....

Performance problems often result from little things you can find and fix yourself without tools of any kind.

### If your refrigerator will not work:

- Is the electric supply cord plugged into a live socket with proper voltage?
- Have you checked your main fuses?
- Is the thermostat in the right position to start the appliance?

### If there are noises or vibrations:

Most of the sounds are normal. Hard surfaces like the floor, walls, and cabinets can make the sounds seem louder. The following describe the kinds of sounds that may be new to you and what may be making them:

#### • Slight hum

You may be hearing the refrigerator's fan and moving air.

#### • Clicking sound

The thermostat clicks when the refrigerator stops running. It also clicks when the refrigerator starts. The defrosting timer clicks when the defrosting cycle starts and stops.

#### • Water noises

When the refrigerator stops running, you may hear a gurgling noise in the piping for a few minutes. You may also hear the noise of the defrost water running into the defrost water pan.

#### • Ice maker noises (optional)

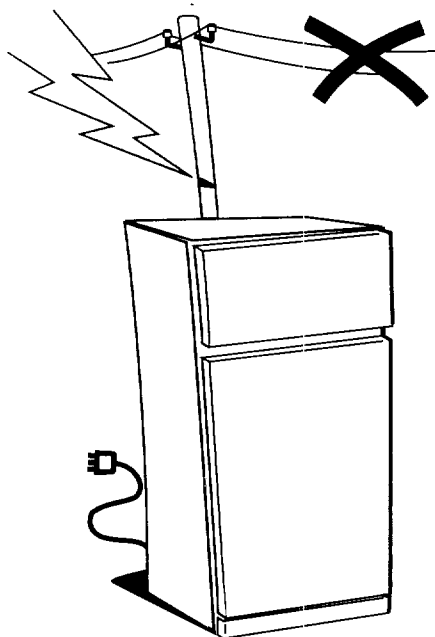
If your refrigerator has an ice maker you may hear buzzing (from the water valve), trickling water and the clatter of the ice when falling into the bin.

### If your ice maker will not work:

- Has the freezer had enough time to become cold? With a new refrigerator this may take overnight.
- Is the lever in the down position ON?
- Is the water valve turned on? Is water getting to the ice maker?

### If there is water in the defrost pan:

- This is normal in hot, damp weather. The pan can even be half full. Make sure the refrigerator is level so that the pan does not overflow.



### If the light does not work:

- Have you checked the main fuses of your home?
- Is the electric supply cord plugged into a live socket with the proper voltage?

### In case of burnt bulbs:

1. Always unplug the appliance;
2. Reach for the bulb behind the control panel;
3. Remove the burnt bulb;
4. Replace it with a similar bulb available only at our Service Centres.

### If the compressor seems to run without stopping:

- Is the condenser free of dust and lint?
- On hot days or if the room is warm, the compressor naturally runs longer.
- If the door has been opened a lot or if large amounts of food has been stored, the compressor will run longer to cool down the interior.



## TROUBLESHOOTING GUIDE/SERVICE

### **Remember:**

Compressor running time depends on different things: number of door openings, amount of food stored, temperature of the room, setting of the thermostat controls.

If you have followed the above checks and your appliance still does not work properly, get in touch with the Service Department clearly stating what is wrong, the type and serial number of your appliance (these data are on the rating plate).

### **To replace the supply cord:**

Ask our Service Department to perform this operation.

### **Before calling for service**

1. Check the Troubleshooting Guide carefully to see if you can correct the fault yourself.
2. Re-operate the appliance to check if the fault has cleared itself.

If the result is negative, please contact the After Sales Service.



## HOW TO REVERSE DOOR SWING

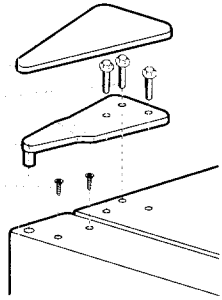
### IMPORTANT:

- Before you begin, turn refrigerator OFF, unplug it, and remove any food from door shelves.
- Remove base grille.
- When removing hinges, keep doors closed until ready to lift free from cabinet.
- To remove doors, start at the top hinge and work your way down.
- To replace doors, start at the bottom hinge and work your way up.
- Line up doors so they are centred between the sides of the cabinet and parallel with each other.
- Seal all unused holes with screws or plastic plugs. Moisture will enter any openings.
- Door seal may be adjusted by adding or removing shims to the centre and bottom hinges.

### Reversing the Hinges

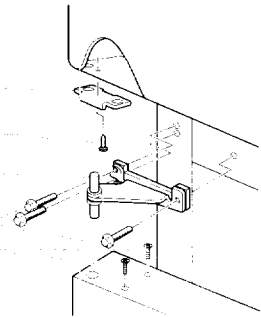
#### TOP HINGE

- Cover
- (A) Screws
- Top Hinge
- (C) Screws



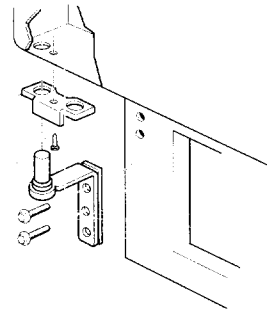
#### CENTER HINGE

- Door Stop
- (B) Screw
- Hinge
- (A) Screws
- (C) Screws

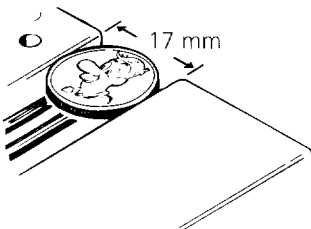


#### BOTTOM HINGE

- Door Stop
- (B) Screw
- Hinge
- (A) Screws



**NOTE:** When replacing the doors, set the door gap at 17 mm.



**A**  
5/16-inch  
Hex Head  
Hinge Screw

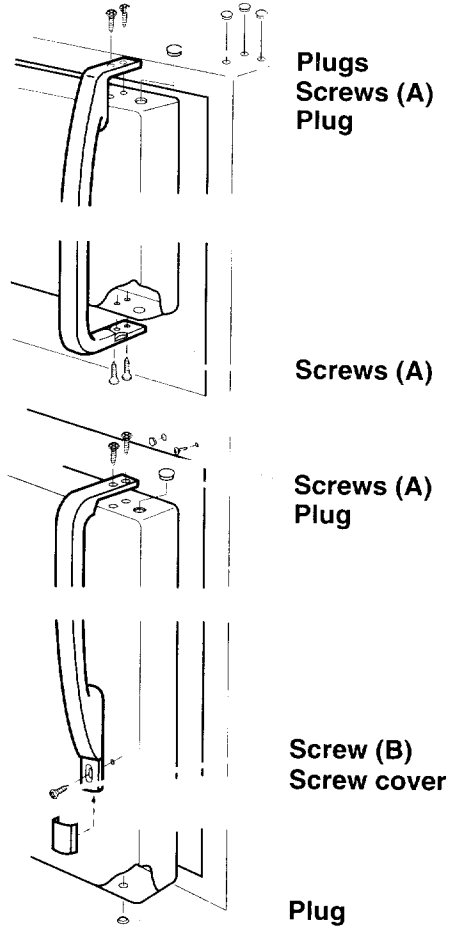
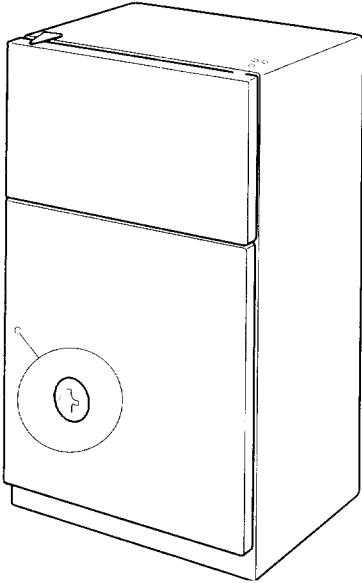


**B**  
Door  
Stop  
Screw



**C**  
Sealing  
Screw  
(use on top  
of doors)

# HOW TO REVERSE DOOR HANDLES



**A**



**Countersink Screws**  
(Use on top and  
bottom of handle)

**B**



**Handle Screw**  
(Use on front  
of handles)

## WATER CONNECTION

### In case of installation of optional ice-maker

- We recommend you have your plumber or our Service Department perform the water connections.
- Before performing the water connection, unplug the appliance. Failure to do so can result in death or electrical shock.
- The refrigerator is supplied with a flexible rubber pipe 1500 mm long so as to make connection operations easier.
- After having removed the panel (A) (see Fig. 1), unscrew the cap (B) (See Fig. 2).
- Connect the end with the threaded locking ring in metal (C) to the refrigerator's solenoid valve (D) (see Fig. 2) using the rubber gaskets.
- The refrigerator may work with water pressures from 1 up to 7 atm.
- Turn the water tap on and check that there are no leaks.
- The refrigerator does not need to be regulated nor does it need a water drain.

**NOTE:** We recommend to comply with local regulations for connections to the water supply.

