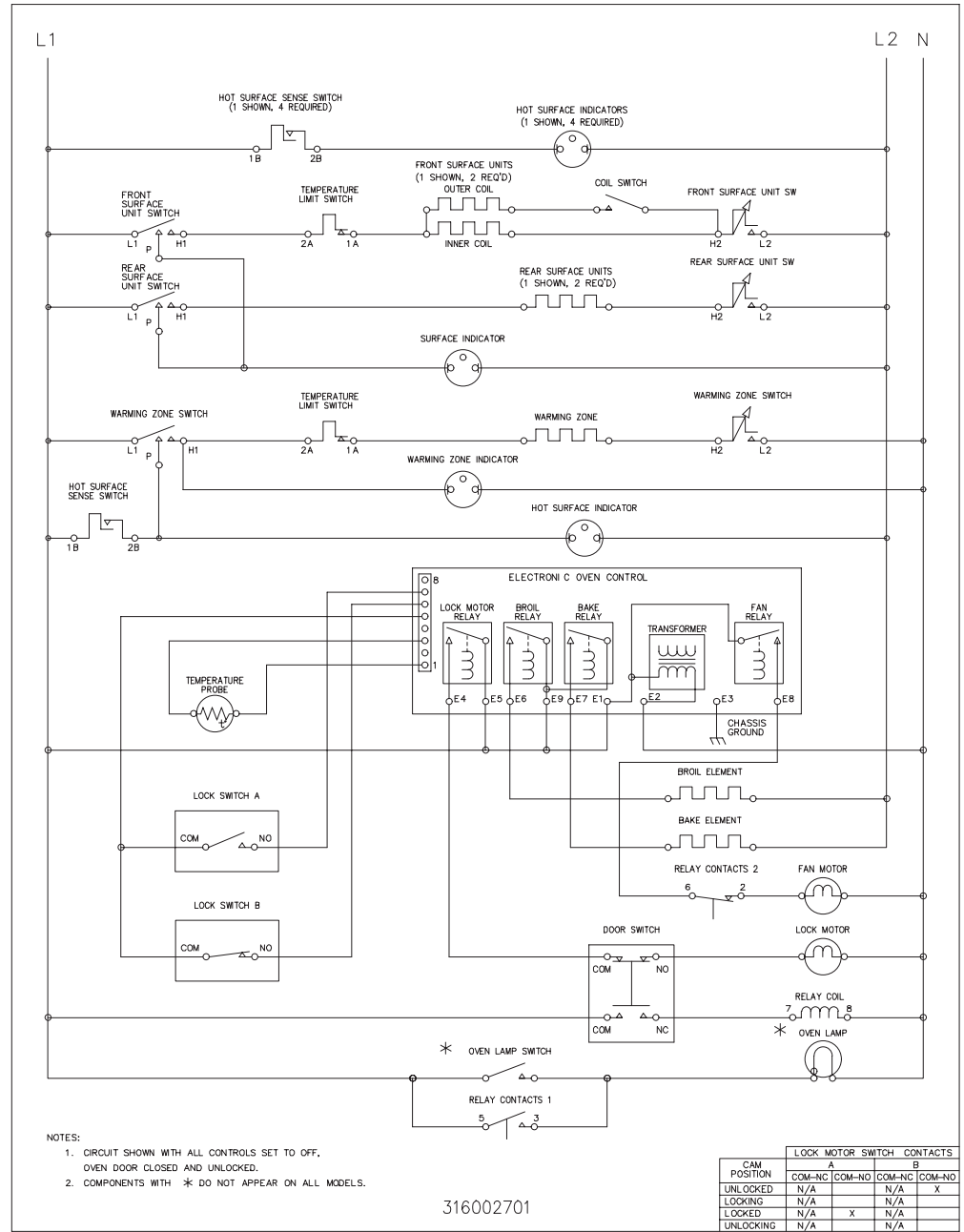


10	18	125	3173
9	20	125	3173
8	18	150	3321
7	12	150	3321
6	14	150	3321
5	16	150	3321
4	20	150	3321
3	14	105	1015
2	16	105	1015
1	20	105	1015
W RE	AWG	TEMP°C	UL STYLE

316002701



316002701

CAM POSITION	LOCK MOTOR SWITCH CONTACTS			
	A		B	
UNLOCKED	COM-NC	COM-NO	COM-NC	COM-NO
UNLOCKED	N/A	N/A	N/A	X
LOCKED	N/A	X	N/A	
UNLOCKING	N/A		N/A	