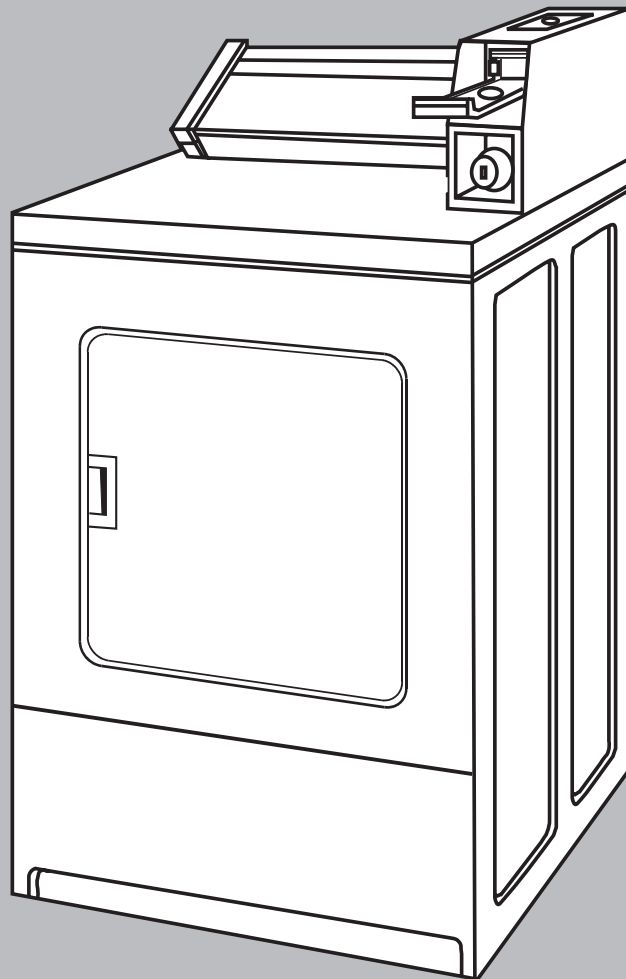


Installation Instructions



Part No. 8527809

IMPORTANT:
Read and save
these instructions

IMPORTANT

Installer: Leave Installation Instructions with the owner.

Owner: Keep Installation Instructions for future reference.

Save Installation Instructions for local electrical inspector's use.

**COMMERCIAL
DRYER**

GAS

120-volt, 60 Hz

ELECTRIC

120/240-volt, 60 Hz



Before you start...

Your safety and the safety of others are very important.

We have provided many important safety messages in this manual and on your appliance. Always read and obey all safety messages.



This is the safety alert symbol.

This symbol alerts you to potential hazards that can kill or hurt you and others.

All safety messages will follow the safety alert symbol and either the word "DANGER" or "WARNING". These words mean:

DANGER

You can be killed or seriously injured if you don't immediately follow instructions.

WARNING

You can be killed or seriously injured if you don't follow instructions.

All safety messages will tell you what the potential hazard is, tell you how to reduce the chance of injury, and tell you what can happen if the instructions are not followed.

WARNING: For your safety the information in this manual must be followed to minimize the risk of fire or explosion or to prevent property damage, personal injury or death.

— Do not store or use gasoline, or other flammable vapors and liquids in the vicinity of this or any other appliance.

— **WHAT TO DO IF YOU SMELL GAS:**

- Do not try to light any appliance.

- Do not touch any electrical switch; do not use any phone in your building.
 - Clear the room, building or area of all occupants.
 - Immediately call your gas supplier from a neighbor's phone. Follow the gas supplier's instructions.
 - If you cannot reach your gas supplier, call the fire department.
- Installation and service must be done by a qualified installer, service agency or the gas supplier.

WARNING



Explosion Hazard

Keep flammable materials and vapors, such as gasoline, away from dryer.

Place dryer at least 18 inches (45.8 cm) above the floor for a garage installation.

Failure to do so can result in death, explosion, or fire.

If installing a GAS dryer:

Post, in a prominent location, instructions to be followed in the event the user smells gas. The information posted shall be obtained by consulting with the local gas supplier.

It is your responsibility to:

Observe all governing codes and ordinances.

Check code requirements: Some codes limit or do not permit installation of clothes dryers in garages, closets, mobile homes or sleeping quarters. Contact your local building inspector.

Comply with the installation specifications and dimensions.

Consider spacing requirements for companion appliances.

Make sure you have everything necessary for proper installation.

Properly install dryer.

Contact a qualified installer to insure that the electrical and gas installations meet all national and local codes and ordinances.

Exhaust to outdoors: Dryer must be exhausted outdoors to prevent exposure to harmful substances in the gas fuels.

Note: The dryer must not be installed in an area where it will be exposed to water and/or weather,

IMPORTANT SAFETY INSTRUCTIONS

WARNING — To reduce the risk of fire, electric shock, or injury to persons when using your appliance, follow basic precautions, including the following:

1. Read all instructions before using the appliance.
2. Do not dry articles that have been previously cleaned in, washed in, soaked in, or spotted with gasoline, dry-cleaning solvents, or other flammable or explosive substances, as they give off vapours that could ignite or explode.
3. Do not allow children to play on or in the appliance. Close supervision of children is necessary when the appliance is used near children.
4. Before the appliance is removed from service or discarded, remove the door to the drying compartment.
5. Do not reach into the appliance if the drum is moving.
6. Do not install or store this appliance where it will be exposed to the weather.
7. Do not tamper with controls.
8. Do not repair or replace any part of the appliance or attempt any servicing unless specifically recommended in the user-maintenance instructions or in published user-repair instructions that you understand and have the skills to carry out.
9. Do not use fabric softeners or products to eliminate static unless recommended by the manufacturer of the fabric softener or product.
10. Do not use heat to dry articles containing foam rubber or similarly textured rubber-like materials.
11. Clean lint screen before or after each load.
12. Keep area around the exhaust opening and adjacent surrounding areas free from the accumulation of lint, dust, and dirt.
13. The interior of the appliance and exhaust duct should be cleaned periodically by qualified service personnel.
14. Do not place items exposed to cooking oils in your dryer. Items contaminated with cooking oils may contribute to a chemical reaction that could cause a load to catch fire.

SAVE THESE INSTRUCTIONS

Post the following in a prominent location.

FOR YOUR SAFETY

Do not store or use gasoline or other flammable vapors and liquids in the vicinity of this or any other appliance.

The console houses the electronic control board. The board is factory set for a dry time of 45 minutes. Consult the tech sheet found inside the dryer toe panel to reset dry time and for other options.

The coin-slide mechanism, control panel lock and key, and coin-box lock and key are not included and are available from usual industry sources.

IMPORTANT SETUP INFORMATION

The electronic control is factory preset to accept commands from a Palm® handheld equipped with the appropriate Whirlpool management software. If a handheld is not to be used, the handheld functionality **MUST BE DISABLED** as part of the control set up. Failure to disable handheld functionality may result in unauthorized machine access.

Exhaust requirements

⚠ WARNING



Fire Hazard

Use a heavy metal vent.
Do not use a plastic vent.
Do not use a metal foil vent.
Failure to do so can result in death or fire.

Do not use non-metal flexible vent, metal vent that is smaller than four inches in diameter or exhaust hoods with magnetic latches.

The dryer must be exhausted outdoors.

Do not exhaust dryer into a gas vent, chimney, wall, ceiling, or concealed space of a building.

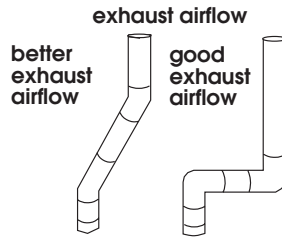
Do not install flexible vent in enclosed walls, ceilings or floors.

If using an existing exhaust system, clean lint from entire length of exhaust system. Make sure exhaust hood is not plugged with lint.

The exhaust system should be inspected and cleaned yearly.

Replace any plastic or metal foil exhaust vent with rigid metal or flexible metal vent.

Use 4" (10.2 cm) **vent clamps** to secure vent system.



Four-inch (10.2 cm) metal exhaust vent is required. Plan installation to use the fewest number of elbows and turns.

Metal flexible vent must be fully extended and supported when the dryer is in its final position. **DO NOT KINK OR CRUSH THE VENT. The metal flexible vent must be completely open to allow adequate exhaust air to flow.**

Allow as much room as possible when using elbows or making turns. Bend vent gradually to avoid kinking. Remove excess flexible vent to avoid sagging and kinking that may result in reduced air flow.

Exhaust outlet is located at the center of the bottom dryer back.

The exhaust vent can be routed up, down, left, right, behind the dryer or straight out the back of the dryer.

Maximum length of exhaust system depends upon the type of vent used, number of elbows and type of exhaust hood. The maximum length for both rigid and flexible vent is shown in the chart.

EXHAUST HOOD TYPE				
No. of 90° turns	Type 1 Hood		Type 2 Hood	
	4" (10.2 cm)	4" (10.2 cm)	4" (10.2 cm)	2-1/2" (6.4 cm)
MAXIMUM LENGTH OF 4-INCH (10.2 cm) DIAMETER RIGID METAL VENT				
0	64 FT. (19.5 m)	64 FT. (19.5 m)	58 FT. (17.7 m)	
1	54 FT. (16.5 m)	54 FT. (16.5 m)	48 FT. (14.6 m)	
2	44 FT. (13.4 m)	44 FT. (13.4 m)	38 FT. (11.6 m)	
3	35 FT. (10.7 m)	35 FT. (10.7 m)	29 FT. (8.8 m)	
4	27 FT. (8.2 m)	27 FT. (8.2 m)	21 FT. (6.4 m)	
MAXIMUM LENGTH OF 4-INCH (10.2 cm) DIAMETER FLEXIBLE METAL VENT				
0	36 FT. (11.0 m)	36 FT. (11.0 m)	28 FT. (8.5 m)	
1	31 FT. (9.4 m)	31 FT. (9.4 m)	23 FT. (7.0 m)	
2	27 FT. (8.2 m)	27 FT. (8.2 m)	19 FT. (5.8 m)	
3	25 FT. (7.6 m)	25 FT. (7.6 m)	17 FT. (5.2 m)	
4	23 FT. (7.0 m)	23 FT. (7.0 m)	15 FT. (4.6 m)	

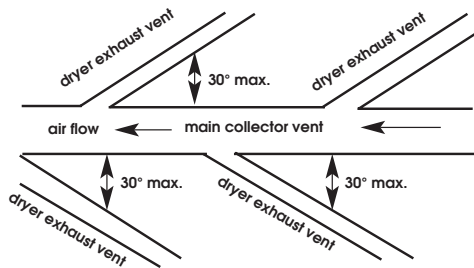
For **exhaust systems** not covered by the exhaust length chart, see Whirlpool Service Manual, "Exhausting Whirlpool Dryers," Part No. 603197, available from your Whirlpool parts distributor.

If dryer is installed in a confined area, such as a bedroom, bathroom or closet, it must be exhausted to the outside and provision made for enough air for combustion and ventilation. (Check governing codes and ordinances.) See "Recessed area and closet installation instructions" on Page 12.

An **exhaust hood** should cap the exhaust vent to prevent exhausted air from returning into the dryer. The outlet of the hood must be at least 12 inches (30.5 cm) from the ground or anything else that may be in the path of the exhaust.

Four-inch outlet hood is preferred. However, a 2-1/2-inch (6.4 cm) outlet exhaust hood may be used. A 2-1/2-inch (6.4 cm) outlet creates greater back pressure than other hood types. For permanent installation, a stationary exhaust system is required.

A **main exhaust vent** can be used for exhausting a group of dryers. Main exhaust vent should be sized to remove 200 CFM of air per dryer. Large-capacity lint screens of proper design may be used in the main exhaust vent if checked and cleaned frequently. The room where the dryers are located should have make-up air equal to or greater than the CFM of all the dryers in the room.



Back-draft Damper Kits, Part No. 3391910, are available from your Whirlpool dealer and should be installed in each dryer's exhaust vent to prevent exhausted air from returning into the dryers and to keep the exhaust in balance within the main exhaust vent. Unobstructed air openings are required.

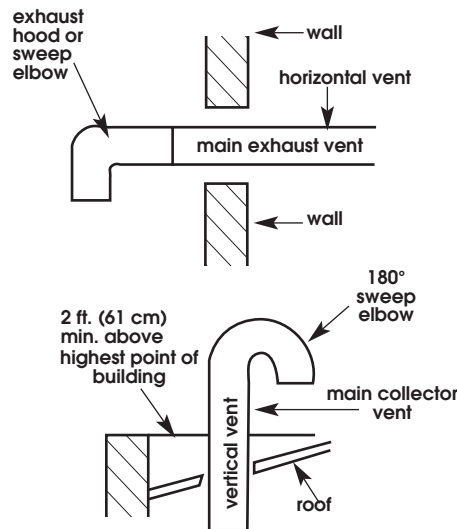
Each exhaust vent should enter the main vent at an angle pointing in the direction of the airflow. Vents entering from the opposite side should be staggered to reduce the exhausted air from interfering with the other vents.

The **maximum angle** of each vent entering the main vent should be no more than 30°.

Keep air openings free of dry cleaning fluid fumes. Fumes create acids which, when drawn through the dryer heating units, can damage dryers and loads being dried.

A **clean-out cover** should be located on the main exhaust vent for periodically cleaning of the exhaust system.

An **exhaust hood** should cap the outside end of the main vent to prevent exhausted air from returning to the dryers. If an exhaust hood cannot be used, the outside end of the main vent should have a sweep elbow directed downward. If the main vent travels vertically through the roof, rather than through the wall, install 180° sweep elbow on the end of vent at least 2 feet (61 cm) above the highest part of the building. The opening wall or roof shall have a diameter 1/2 inch (1.3 cm) larger than the exhaust vent diameter. The exhaust vent should be centered in the opening.



Do Not install screening or cap over end of vent.

Gas Dryer

Gas requirements

⚠ WARNING



Explosion Hazard

Use a new AGA or CSA approved gas supply line.

Install a shut-off valve.

Securely tighten all gas connections.

If connected to LP, have a qualified person make sure gas pressure does not exceed 13" (33 cm) water column. Examples of a qualified person include licensed heating personnel, authorized gas company personnel, and authorized service personnel.

Failure to do so can result in death, explosion, or fire.

OBSERVE ALL GOVERNING CODES AND ORDINANCES.

A. This installation must conform with local codes, or in absence of local codes with the National Fuel Gas Code ANSI Z223.1/NFPA 54 or the CAN/CGA - B149* installation codes.

B. The design of this dryer has been certified by the CSA International for use at altitudes up to 10,000 feet (3048 m) above sea level at the B.T.U. rating indicated on the model/serial plate. Burner input adjustments are not required when the dryer is operated up to this elevation.

When installed above 10,000 feet (3048 m), a four percent (4%) reduction of the burner B.T.U. rating shown on the model/serial plate is required for each 1,000 foot (305 m) increase in elevation. For assistance when converting to other gas types and/or installing above 10,000 feet (3048 m) elevation, contact your local service company.

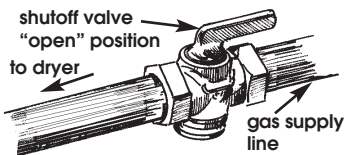
Copies of the standards listed above may be obtained from:

* National Fire Protection Association
One Batterymarch Park
Quincy, Massachusetts 02269

C. Check that dryer is equipped with the correct burner for the particular type of gas used. Burner information can be found on the serial/rating plate in the door well of the appliance. If this information does not agree with the type of gas available, see your dealer.

D. This dryer is equipped for use with NATURAL GAS. It is certified by CSA International for manufactured, mixed and L.P. (propane and butane) gases with appropriate conversion. No attempt shall be made to convert the appliance from the gas specified on the serial/rating plate for use with a different gas without consulting the serving gas supplier. **Conversion must be done by a qualified service technician. Gas conversion kit part numbers are listed on the gas valve burner base.**

E. Provide a **rigid gas supply line** of 1/2-inch IPS pipe to the dryer location. If the total length of the supply line is more than 20 feet (6.1 m), larger pipe will be needed. For L.P. gas usage, 3/8-inch, approved copper tubing may be used. Pipe-joint compounds suitable for use with L.P. gas should be used.



F. The supply line shall be equipped with a shutoff valve installed within 6 ft. (1.8 m) of dryer in accordance with the National Fuel Gas Code, ANSI Z223.1 — latest edition*. In Canada, an individual manual shutoff valve must be installed in accordance with the B149 installation codes CAN/CGA B149.1 and CAN/CGA B149.2*. This valve should be located in the same room as the dryer and should be in a location that allows ease of opening and closing. Do Not block access to the shutoff valve.

G. If the dryer is installed in a confined area such as a bathroom or closet, provision must be made for enough air for combustion and ventilation. (Check governing codes and ordinances, or refer to the section of this instruction covering recessed and closet installations.)

H. If local codes and ordinances permit, it is recommended that new flexible metal tubing, design-certified by the AGA or CSA, be used for connecting the dryer to the gas supply line. (The gas feed pipe which extends through the lower rear of the dryer is provided with 3/8-inch metal pipe thread.)

I. If rigid pipe is used as a gas supply line, a combination of pipe fittings must be used to obtain an in-line connection to the dryer.



J. Make sure that lower edges of the cabinet, plus the back and bottom sides of the dryer are free of obstructions to permit adequate clearance of air openings for combustion air. See "Recessed area and closet installation instructions," page 12, for minimum spacing requirements.

K. For ease of installation, operation and servicing (if ever needed) adequate space should be provided around the dryer.

L. A 1/8-inch NPT plugged tapping, accessible for gauge testing, must be installed immediately upstream of the gas supply connection to the dryer.

The dryer must be disconnected from the gas supply piping system during any pressure testing of the system at test pressures in excess of 1/2 psig.

The dryer must be isolated from the gas supply piping system by closing the equipment shut-off valve during any pressure testing of the gas supply piping system at test pressures equal to or less than 1/2 psi (3,45 kPa).

Electrical requirements

! WARNING



Electrical Shock Hazard
Plug into a grounded 3-prong outlet.
Do not remove ground prong.
Do not use an adapter.
Do not use an extension cord.
Failure to follow these instructions can result in death, fire, or electrical shock.

Important: Observe all governing codes and ordinances.

A 120-volt, 60-Hz, AC-only, 15- or 20-ampere fused electrical supply is required. A time-delay fuse or circuit breaker is recommended.

It is recommended that a separate circuit serving only this appliance be provided.

If codes permit and a separate ground wire is used, it is recommended that a qualified electrician determine that the ground path is adequate.

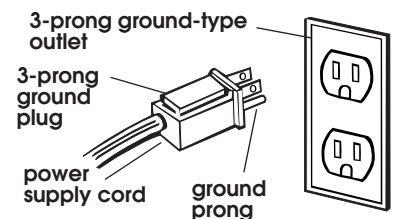
Recommended ground method

The dryer, when installed, must be electrically grounded in accordance with local codes, or in the absence of local codes, with the National Electrical Code, ANSI/NFPA 70**, or the Canadian Electrical Code, CSA C22.1*.

GROUNDING INSTRUCTIONS: This appliance must be grounded. In the event of malfunction or breakdown, grounding will reduce the risk of electric shock by providing a path of least resistance for electric current.

The power supply cord plug must be plugged into an appropriate outlet that is properly installed and grounded in accordance with all local codes and ordinances.

WARNING - Improper connection of the equipment-grounding conductor can result in a risk of electric shock. Check with a qualified electrician or serviceman if you are in doubt as to whether the appliance is properly grounded. Do not modify the plug provided with the appliance - if it will not fit the outlet, have a proper outlet installed by a qualified electrician.



Copies of the standards listed above may be obtained from:

* CSA International
 8501 East Pleasant Valley Road
 Cleveland, Ohio 44131-5575

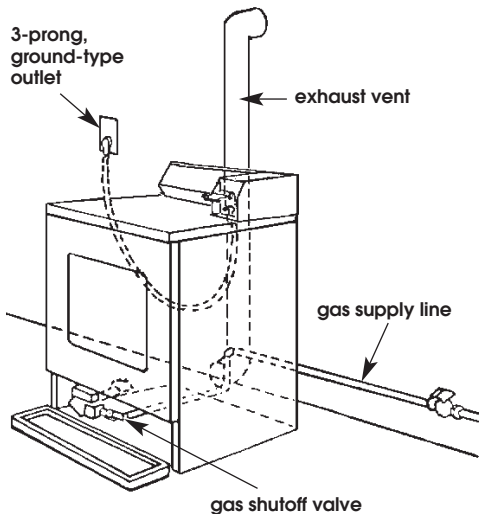
** National Fire Protection Association
 One Batterymarch Park
 Quincey, Massachusetts 02269

Now Start...

With dryer in laundry area.

⚠ WARNING

Excessive Weight Hazard
Use two or more people to move and install dryer.
Failure to do so can result in back or other injury.



1. Take tape off front corners of dryer. Open dryer and remove the literature and parts packages. Wipe the interior of the drum thoroughly with a damp cloth.

2. Take two of the cardboard corners from the carton and place them on the floor in back of the dryer. Firmly grasp the body of the dryer and gently lay it on its back on the cardboard corners.

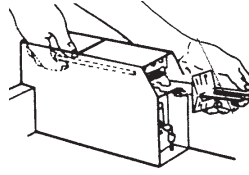
3. With one of the legs in hand, check the ridges for a diamond marking. That's how far the leg is supposed to go into the hole.

4. Start to screw the leveling legs into the holes by hand. (Use a small amount of liquid detergent to lubricate the screw threads so it is easier to turn the legs.) Use a 1-inch wrench or socket wrench to finish turning the legs until you reach the diamond mark.

Now stand the dryer up.

Slide dryer onto cardboard or hardboard before moving across floor to avoid damaging floor covering.

5. Remove the service door of the meter case. Lift the service door up at the back and remove. Install money-accepting device. (Refer to manufacturer's instructions for proper installation.)



For dryers using coin slides, use adapter kit supplied with dryer.

Replace the meter case service door. Put the coin vault with lock and key the meter case opening.

6. Move dryer close to final position. Remove cardboard or hardboard from under dryer.

7. Remove red cap from gas pipe. Carefully move dryer into final position. Place level on top of the dryer, first side to side; then front to back. If the dryer is not level, adjust the legs of the dryer up or down until the dryer is level.

8. Connect gas supply to dryer. Use pipe-joint compound resistant to the action of L.P. gas for gas connections. If flexible metal tubing is used, be certain there are no kinks.

If necessary for service, open the toe panel, use a putty knife to press on the toe panel lock located at the center top of the toe panel. Pull downward on the toe panel to open. Toe panel is hinged at the bottom.

9. Open the shutoff valve in the gas supply line.

10. Use a non-corrosive leak detection fluid to check for leaks. Bubbles around connections will indicate a leak. If a leak appears, shut off gas valve controls and adjust connections. Then check connections again. Close toe panel.

All connections must be wrench-tightened.

11. To exhaust dryer, see Exhaust requirements, Pages 3-4. Connect exhaust vent system to dryer exhaust outlet and exhaust hood using 4" (10.2 cm) clamps. Use caulking to seal exterior wall opening around exhaust hood.

12. Carefully move dryer into final position. Place level on top of the dryer, first side to side; then front to back. If the dryer is not level, adjust the legs of the dryer up or down until the dryer is level.

13. Plug power supply cord into grounded outlet.

14. Check dryer operation (some accumulated time may be on the timer due to factory testing).

Insert coins in slide and press slide in slowly. (Operating time will accumulate per number of coins and type of timing cam used.) Push START/RESTART button. Using a full heat cycle (not the air cycle), let the dryer run for at least five minutes. Dryer will stop when time is used up.

Note: Dryer door must be closed for dryer to operate. When door is open, dryer stops, but timer continues to run. To restart dryer, close door and push START/RESTART button.

15. If the burner does not ignite and you can feel no heat inside the dryer, shut off dryer for five minutes. Check that all supply valve controls are in "ON" position and that the electrical cord is plugged in. Repeat five-minute test.

16. If drying time is too long, make sure lint screen is clean.

Electric Dryer

Electrical requirements

If codes permit and a separate ground wire is used, it is recommended that a qualified electrician determine that the ground path is adequate.

Important: Observe all governing codes and ordinances.

A four-wire or three-wire (Canada: four-wire only), single-phase, 120/240-volt, 60-Hz, AC-only electrical supply (or four-wire or three-wire, 120/208-volt, if specified on the model/serial rating plate) is required on a separate, 30-ampere circuit, fused on both sides of the line. A time-delay fuse or circuit breaker is recommended.

Recommended ground method

In U.S.:

It is the personal responsibility and obligation of the customer to contact a qualified electrician to assure that the electrical installation is adequate and in conformance with the National Electrical Code, ANSI/NFPA 70*, and all local codes and ordinances.

In Canada.:

It is the personal responsibility and obligation of the customer to install the dryer in accordance with CAN 1-B149 installation codes** and all national or local codes.

Canadian models are equipped with a four-wire, 30-amp rated flexible-type power cord. The power cord must be plugged into a mating 30-amp receptacle. (NEMA type 14-30R).

Copies of the standards listed above may be obtained from:

* National Fire Protection Association
One Batterymarch Park
Quincy, Massachusetts 02269

**CSA International
8501 East Pleasant Valley Road
Cleveland, Ohio 44131-5575

Now Start...

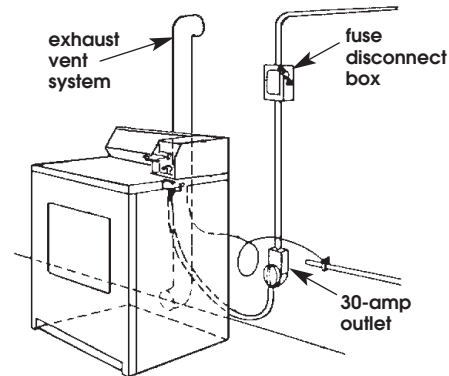
! WARNING

Excessive Weight Hazard

Use two or more people to move and install dryer.

Failure to do so can result in back or other injury.

With dryer in laundry area...



1. Take tape off front corners of dryer. Open dryer and remove the literature and parts packages. Wipe the interior of the drum thoroughly with a damp cloth.

2. Take two of the cardboard corners from the carton and place them on the floor in back of the dryer. Firmly grasp the body of the dryer and gently lay it on its back on the cardboard corners.

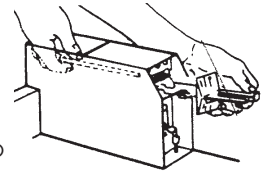
3. With one of the legs in hand, check the ridges for a diamond marking. That's how far the leg is supposed to go into the hole.

4. Start to screw the leveling legs into the holes by hand. (Use a small amount of liquid detergent to lubricate the screw threads so it is easier to turn the legs.) Use a 1-inch wrench or socket wrench to finish turning the legs until you reach the diamond mark.

Now stand the dryer up.

Slide dryer onto cardboard or hardboard before moving across floor to avoid damaging floor covering.

5. Remove the service door of the meter case. Lift the service door up at the back and remove. Install money-accepting device. (Refer to manufacturer's instructions for proper installation.)



For dryers using coin slides, use adapter kit supplied with dryer.

Replace the meter case service door. Put the coin vault with lock and key the meter case opening.

6. Move dryer close to final position. Remove cardboard or hardboard from under dryer.

7. U.S. installations:

Make electrical connection.

This dryer is manufactured with the cabinet-ground conductor connected to the NEUTRAL (center) of the wiring harness at the terminal block. If local codes do NOT permit this type of connection, use "Four-wire connection" instructions.

For a grounded, cord-connected appliance —

GROUNDING INSTRUCTIONS:

This appliance must be grounded. In the event of malfunction or breakdown, grounding will reduce the risk of electric shock by providing a path of least resistance for electric current.

If using a power supply cord, the plug must be plugged into an appropriate outlet that is properly installed and grounded in accordance with all local codes and ordinances.

WARNING - Improper connection of the equipment-grounding conductor can result in a risk of electric shock. Check with a qualified electrician or serviceman if you are in doubt as to whether the appliance is properly grounded. Do not modify the plug provided with the appliance - if it will not fit the outlet, have a proper outlet installed by a qualified electrician.

For a permanently connected appliance —

GROUNDING INSTRUCTIONS:

This appliance must be connected to a grounded metal, permanent wiring system; or an equipment-grounding conductor must be run with the circuit conductors and connected to the equipment-grounding terminal or lead on the appliance.

Canadian installations:

For a grounded, cord-connected appliance —

GROUNDING INSTRUCTIONS:

This appliance must be grounded. In the event of malfunction or breakdown, grounding will reduce the risk of electric shock by providing a path of least resistance for electric current.

This appliance is equipped with a cord having an equipment-grounding conductor and a grounding plug. The plug must be plugged into an appropriate outlet that is properly installed and grounded in accordance with all local codes and ordinances.

WARNING - Improper connection of the equipment-grounding conductor can result in a risk of electric shock. Check with a qualified electrician or service representative or personnel if you are in doubt as to whether the appliance is properly grounded. Do not modify the plug provided with the appliance - if it will not fit the outlet, have a proper outlet installed by a qualified electrician.

Power supply cord (U.S. only)

Use a new UL-approved power supply cord rated 240-volt min., 30 amperes and marked for use with a clothes dryer.

! WARNING



Fire Hazard

Use a new UL approved 30 ampere power supply cord.
Use a UL approved strain relief.
Disconnect power before making electrical connections.
Connect neutral wire (white or center wire) to center terminal (silver).
Ground wire (green or bare wire) must be connected to green ground connector.
Connect remaining 2 supply wires to remaining 2 terminals (gold).
Securely tighten all electrical connections.
Failure to do so can result in death, fire, or electrical shock.

Direct wire (U.S. only)

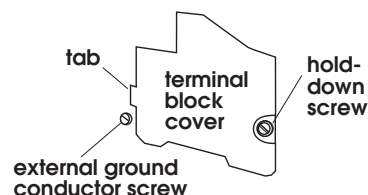
! WARNING



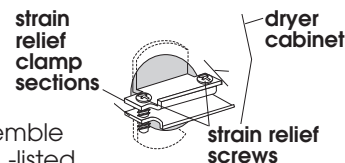
Fire Hazard

Use 10 gauge solid copper wire.
Use a UL approved strain relief.
Disconnect power before making electrical connections.
Connect neutral wire (white or center wire) to center terminal (silver).
Ground wire (green or bare wire) must be connected to green ground connector.
Connect remaining 2 supply wires to remaining 2 terminals (gold).
Securely tighten all electrical connections.
Failure to do so can result in death, fire, or electrical shock.

1. Disconnect the power supply.



2. Remove hold-down screw and terminal block cover.

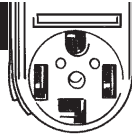


3. Assemble 3/4" U.L.-listed strain relief (U.L. marking on strain relief) into the hole below terminal block opening. Tighten strain relief screws just enough to hold the two clamp sections together. Install power supply cord/cable through the strain relief.

Complete installation following instructions for your type of connection:

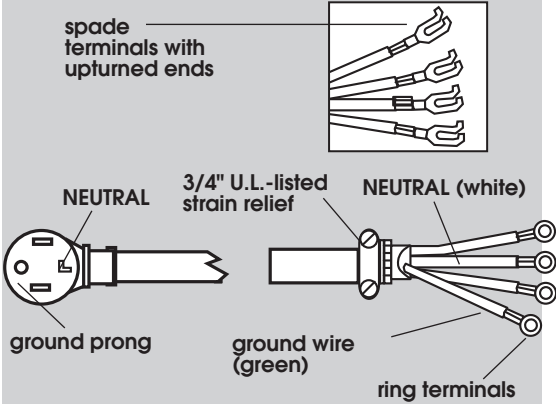
- Four-wire (recommended method)
- Three-wire (if four-wire is not available)

Four-wire connection...



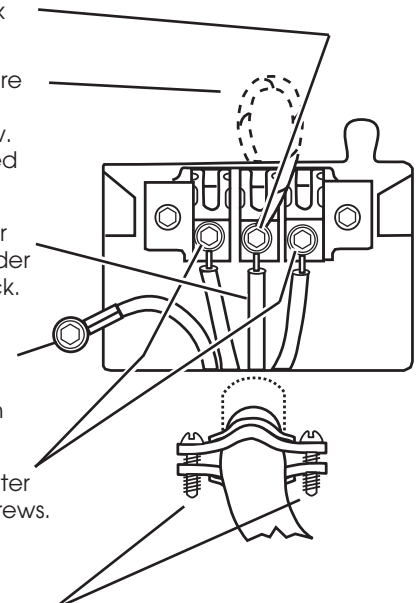
Four-wire receptacle (required for mobile homes)

POWER SUPPLY CORD



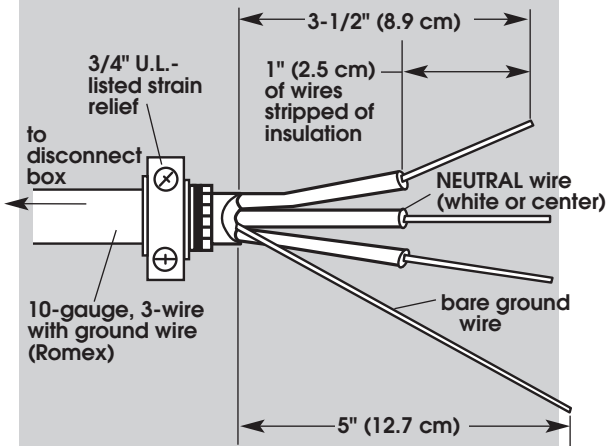
Four-wire power supply cord must have four, No.-10 copper wires and match a four-wire receptacle of NEMA Type 14-30R. The fourth wire (ground conductor) must be identified with a green cover and the neutral conductor by a white cover.

4. Remove center terminal block screw.
5. Remove appliance ground wire (green with yellow stripes) from external ground connector screw. Fasten under center, silver-colored terminal block screw.
6. Connect neutral wire (white or center) of power supply cord under center screw of the terminal block. Tighten screw.
7. Connect ground wire (green) of power supply cord to external ground conductor screw. Tighten screw.
8. Connect the other wires to outer terminal block screws. Tighten screws.
9. Tighten strain relief screws.
10. Reinstall terminal block cover to the dryer rear panel. Secure cover with hold-down screw.

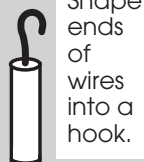


DIRECT WIRE

Preparing the wire:

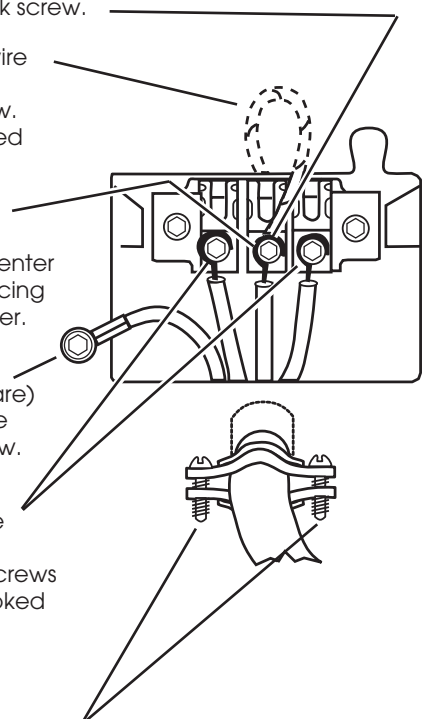


Strip 5" (12.7 cm) of outer covering from end of cable. Leave bare ground wire at 5 inches (12.7 cm). Cut 1-1/2" (3.8 cm) from 3 remaining wires. Strip insulation back 1 inch (2.5 cm).



Shape ends of wires into a hook.

4. Remove center terminal block screw.
5. Remove appliance ground wire (green with yellow stripes) from external ground connector screw. Fasten under center, silver-colored terminal block screw.
6. Place the hooked end of the neutral wire (white or center) of power supply cable under the center screw of terminal block (hook facing right). Squeeze hook end together. Tighten screw.
7. Connect the ground wire (bare) of the power supply cable to the external ground conductor screw. Tighten screw.
8. Place the hooked ends of the other power supply cable wires under the outer terminal block screws (hook facing right). Squeeze hooked ends together. Tighten screws.
9. Tighten strain relief screws.
10. Reinstall terminal block cover to the dryer rear panel. Secure cover with hold-down screw.

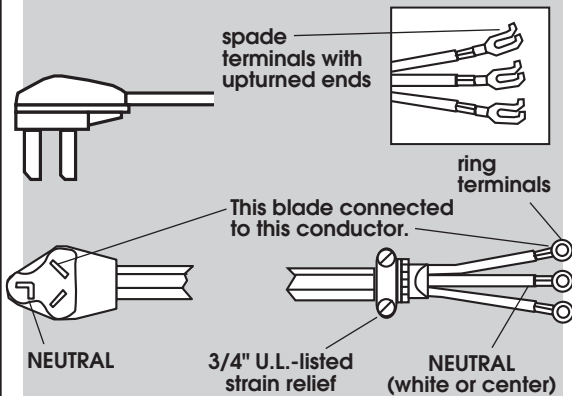


Three-wire connection...



Three-wire receptacle

POWER SUPPLY CORD



Three-wire power supply cord must have three, No.-10 copper wires and match a three-wire receptacle of NEMA Type 10-30R.

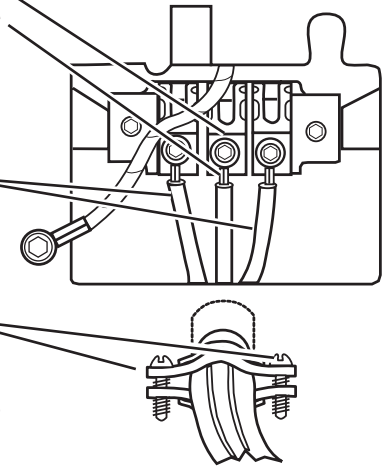
4. Loosen or remove center terminal block screw.

5. Connect the neutral wire (white or center) of power supply cord to the center, silver-colored terminal screw of the terminal block. Tighten screw.

6. Connect the other wires to outer terminal block screws. Tighten screws.

7. Tighten strain relief screws.

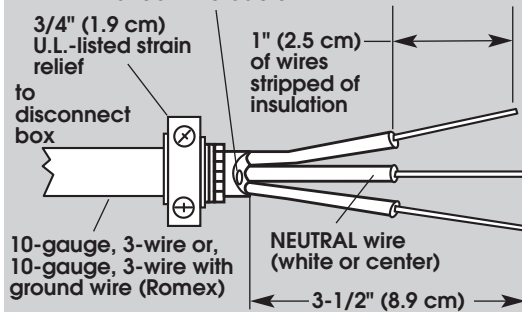
8. Reinstall terminal block cover to the dryer rear panel. Secure cover with hold-down screw.



DIRECT WIRE

Preparing the wire:

Three-wire with ground wire: Bare wire cut short. Wire is not used. Dryer is grounded through direct wire cable.



Strip 3-1/2" (8.9 cm) of outer covering from end of cable. Strip insulation back 1" (2.5 cm). If using 3-wire cable with ground wire, cut bare wire even with outer covering.



Shape ends of wires into a hook.

Where local codes permit connecting cabinet-ground conductor to neutral wire:

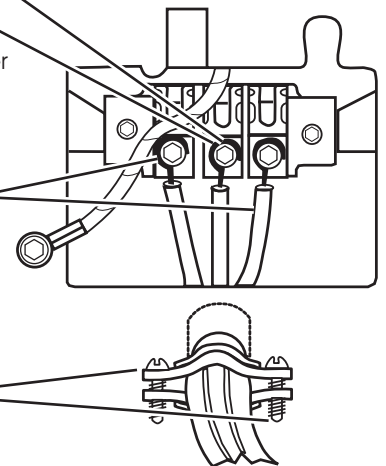
4. Loosen or remove center terminal block screw.

5. Place the hooked end of the neutral wire (white or center) of power supply cable under the center screw of the terminal block (hook facing right). Squeeze hooked end together. Tighten screw.

6. Place the hooked ends of the other power supply cable wires under the outer terminal block screws (hook facing right). Squeeze hooked ends together. Tighten screws.

7. Tighten strain relief screws.

8. Reinstall terminal block cover to the dryer rear panel. Secure cover with hold-down screw.



Three-wire connection...



Three-wire receptacle

DIRECT WIRE OR POWER SUPPLY CORD

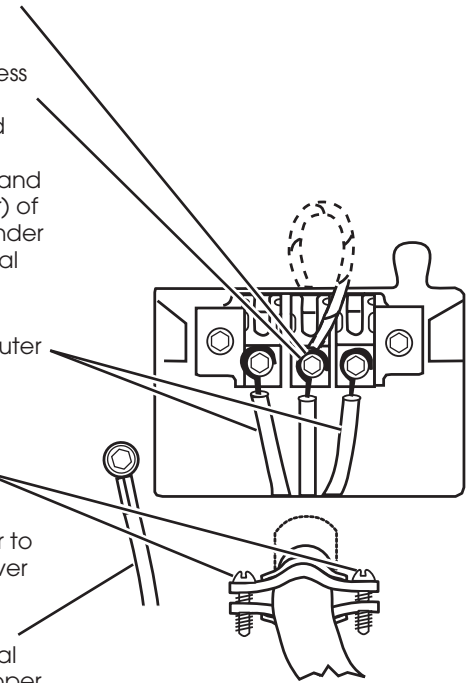
Three-wire power supply cord must have three, No.-10 copper wires and match a three-wire receptacle of NEMA Type 10-30R.

Direct wire power supply cable must be prepared as shown in "Preparing the wire" of the three-wire connection direct-wire steps above.

If codes permit and a separate ground wire is used, it is recommended that a qualified electrician determine that the ground path is adequate.

Where local codes Do Not permit connecting cabinet-ground conductor to neutral wire:

4. Remove center terminal block screw.
5. Remove the appliance harness ground wire (green with yellow stripes) from the external ground connector screw. Connect appliance harness ground wire and the neutral wire (white or center) of the power supply cord/cable under the center, silver-colored terminal block screw. Tighten screw.
6. Connect the other wires to outer terminal block screws. Tighten screws.
7. Tighten strain relief screws.
8. Reinstall terminal block cover to the dryer rear panel. Secure cover with hold-down screw.
9. After reattaching the terminal cover, connect a separate copper ground wire from the external ground connector screw to an adequate ground.



8. To exhaust dryer, see Exhaust requirements, Pages 3-4. Connect exhaust vent to dryer exhaust outlet and exhaust hood using 4" (10.2 cm) clamps. Use caulking to seal exterior wall opening around exhaust hood.

9. Carefully move dryer into final position. Place level on top of the dryer, first side to side; then front to back. If the dryer is not level, adjust the legs of the dryer up or down until the dryer is level.

10. In U.S. or Canada, plug power supply cord into grounded outlet. Or, in the U.S. only, connect direct wire to power supply. Turn power supply on.

11. Check dryer operation (some accumulated time may be on the timer due to factory testing).

Insert coins in slide and press slide in slowly. (Operating time will accumulate per number of coins and type of timing cam used.) Push START/RESTART button. Using a full heat cycle (not the air cycle), let the dryer run for at least five minutes. Dryer will stop when time is used up.

Note: Dryer door must be closed for dryer to operate. When door is open, dryer stops, but timer continues to run. To restart dryer, close door and push START/RESTART button.

12. If drying time is too long, make sure lint screen is clean.

13. Now start the dryer and allow it to complete a full heat cycle (not air cycle) to make sure it is working properly.

Recessed area and closet installation instructions

This dryer may be installed in a recessed area or closet. For recessed area and closet installations, minimum clearances can be found on the serial tag on the dryer.

The installation spacing is in inches and is minimum allowable. Additional spacing should be considered for ease of installation, servicing and compliance with local codes and ordinances.

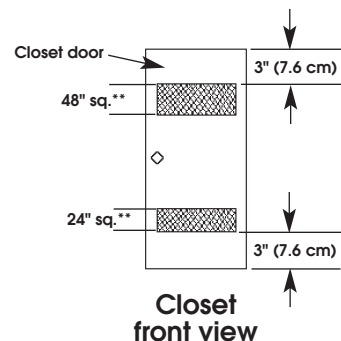
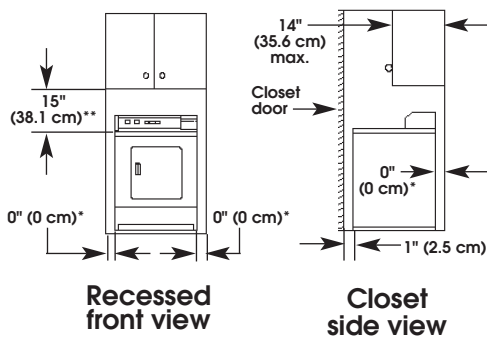
If closet door is installed, the minimum unobstructed air openings in top and bottom is required. Louvered doors with equivalent air openings are acceptable.

Companion appliance spacing should be considered.

The dryer must be exhausted outdoors.

No other fuel-burning appliance may be installed in the same closet.

Minimum Installation Clearances



* Additional clearances for wall, door and floor moldings may be required or if external exhaust elbow is used.

** Opening is minimum for closet door. Louvered door with equivalent air opening is acceptable.

Maintenance instructions

- Clean lint screen after each cycle.
- Keep dryer area clear and free from combustible materials, gasoline and other flammable vapors and liquids.
- Do not obstruct the flow of combustion and ventilation air.

Moving the dryer to a new location...

Slide dryer onto cardboard or hardboard before moving across floor to avoid damaging floor covering.

Gas dryer models:

- Disconnect electrical cord. Tape securely to dryer.
- Shut off the gas supply valves in the gas supply line.
- Disconnect gas pipe and fittings from dryer and cap gas supply line. Tape end of dryer gas pipe.

Electric dryer models:

- Shut of electrical supply to dryer.
- Disconnect the power supply cord or cable from the dryer terminal block.

All models:

- Make sure leveling legs are secure in dryer base.
- Tape drum to front panel.
- Tape dryer door, lint screen and end of gas pipe.

Before the appliance is removed from service or discarded, remove the door to the dryer compartment.

If dryer does not operate properly...

Check the following to be sure that:

1. Electric supply is connected.
2. Circuit breakers are not tripped or house fuses blown.
3. Door is closed.
4. Controls are set in a running or "ON" position.
5. Start button has been pushed firmly.
6. For gas dryers, check that gas supply shutoff valves are set in open position.

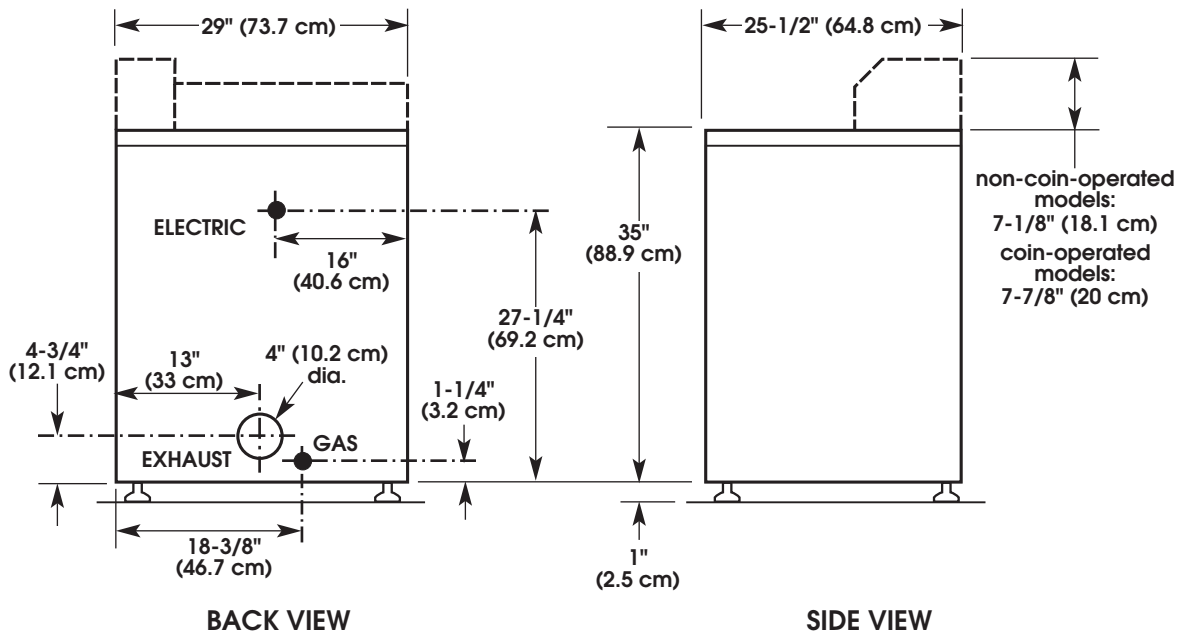
If you need assistance...

The Whirlpool Consumer Interaction Center will answer any questions about operating or maintaining your dryer not covered in the Installation Instructions. The Whirlpool Consumer Interaction Center is open 24 hours a day, 7 days a week. Just dial 1-800 NO BELTS (1-800-662-3587) — the call is free.

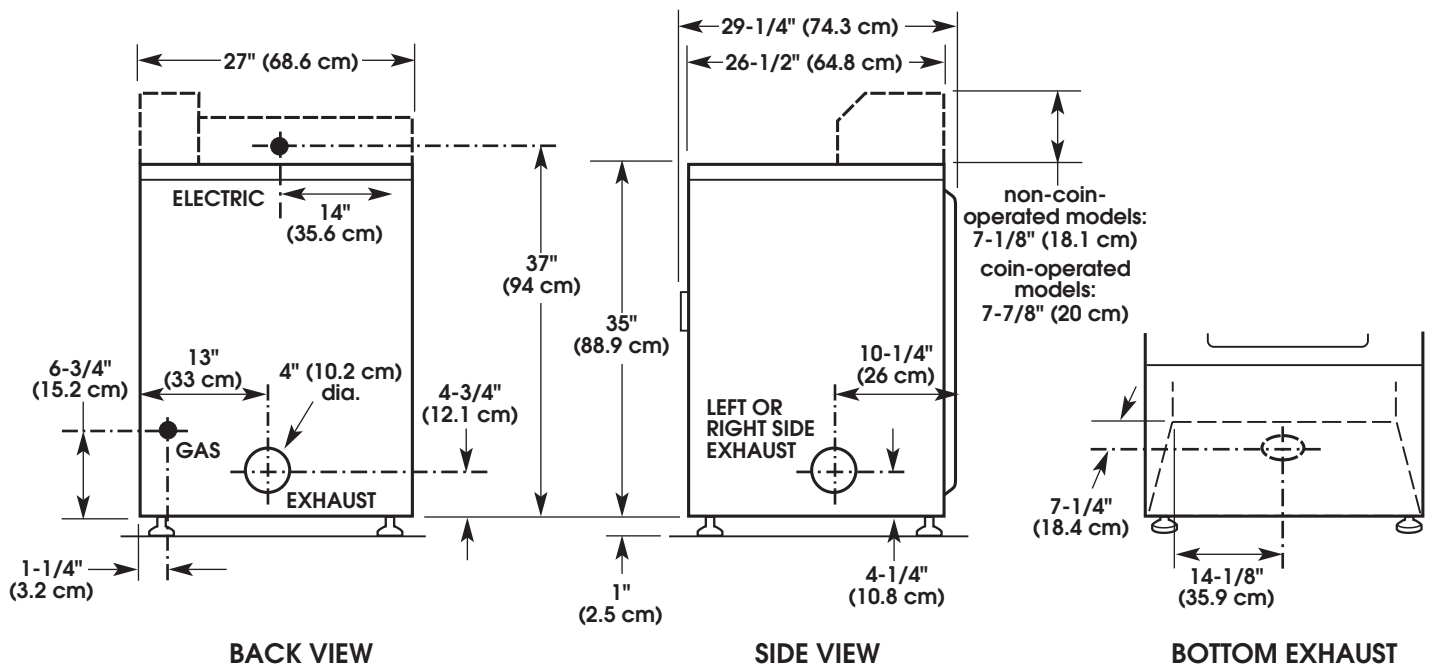
When you call, you will need the dryer model number and serial number. Both numbers can be found on the serial-rating plate located on your appliance.

Product dimensions

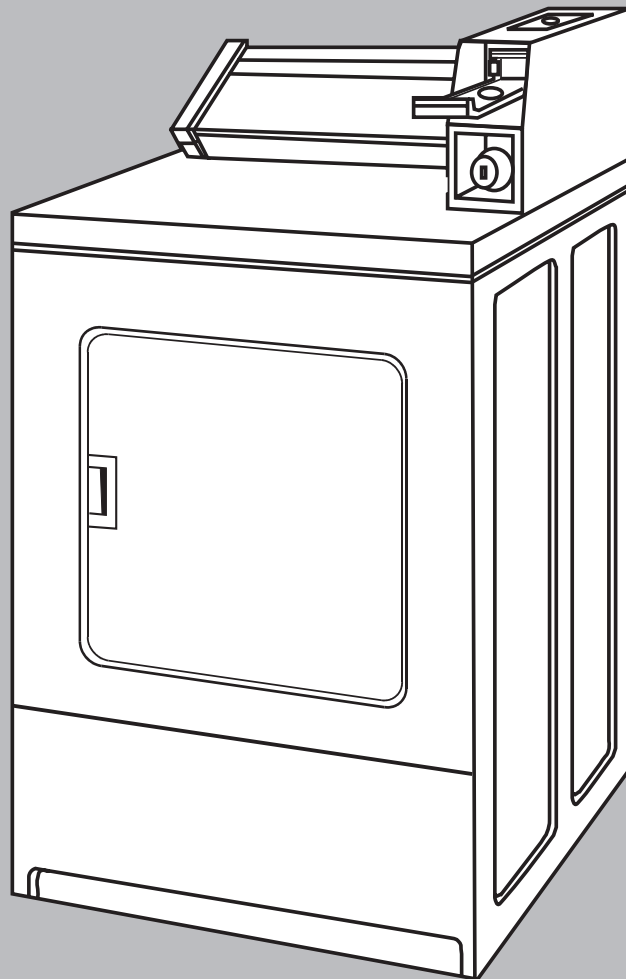
29" (73.7 cm) dryer



27" (68.6 cm) dryer



Instructions d'installation



Pièce n° 8527809

IMPORTANT :
Lire et conserver
ces instructions.

IMPORTANT

Installateur : Remettre les instructions d'installation au propriétaire.

Propriétaire : Conserver les instructions d'installation pour consultation ultérieure.

Conserver les instructions d'installation pour consultation par l'inspecteur local des installations électriques.

SÈCHEUSE
COMMERCIALE

GAZ

120 volts, 60 Hz

ÉLECTRIQUE

120/240 volts, 60 Hz

www.whirlpool.com

**Whirlpool**[®]
APPAREILS DE
BUANDERIE
COMMERCIALE

Avant de commencer...

Votre sécurité et celle des autres est très importante.

Nous donnons de nombreux messages de sécurité importants dans ce manuel et sur votre appareil ménager. Assurez-vous de toujours lire tous les messages de



sécurité et de vous y conformer. Voici le symbole d'alerte de sécurité. Ce symbole d'alerte de sécurité vous signale les dangers potentiels de décès et de blessures graves à vous et à d'autres. Tous les messages de sécurité suivront le symbole d'alerte de sécurité et le mot «DANGER» ou «AVERTISSEMENT». Ces mots signifient :

DANGER

Risque possible de décès ou de blessure grave si vous ne suivez pas immédiatement les instructions.

AVERTISSEMENT

Risque possible de décès ou de blessure grave si vous ne suivez pas les instructions.

Tous les messages de sécurité vous diront quel est le danger potentiel et vous disent comment réduire le risque de blessure et ce qui peut se produire en cas de non-respect des instructions.

AVERTISSEMENT : Pour votre sécurité, les renseignements dans ce manuel doivent être observés pour réduire au minimum les risques d'incendie ou d'explosion ou pour éviter les dommages au produit, des blessures ou un décès.

— Ne pas entreposer ni utiliser de l'essence ou d'autres vapeurs ou liquides inflammables à proximité de cet appareil ou de tout autre appareil électroménager.

— **QUE FAIRE DANS LE CAS D'UNE ODEUR DE GAZ :**

- Ne pas tenter d'allumer un appareil.
 - Ne pas toucher à un commutateur électrique; ne pas utiliser de téléphone se trouvant sur les lieux.
 - Évacuer tous les gens de la pièce, de l'édifice ou du quartier.
 - Appeler immédiatement le fournisseur de gaz d'un téléphone voisin. Suivre ses instructions.
 - À défaut de joindre votre fournisseur de gaz, appeler les pompiers.
- L'installation et l'entretien doivent être effectués par un installateur qualifié, une agence de service ou le fournisseur de gaz.

AVERTISSEMENT



Risque d'explosion

Garder les matières et les vapeurs inflammables, telle que l'essence, loin de la sècheuse.

Placer la sècheuse au moins 45,8 cm (18 po) au-dessus du plancher pour une installation dans un garage.

Le non-respect de ces instructions peut causer un décès, une explosion ou un incendie.

Pour l'installation d'une sècheuse à GAZ :

On recommande que l'utilisateur affiche en un lieu très visible les instructions décrivant ce que le client doit faire si une odeur de gaz est perceptible. Obtenir cette information auprès du fournisseur de gaz local.

IMPORTANTES INSTRUCTIONS DE SÉCURITÉ

AVERTISSEMENT – Pour réduire le risque d'incendie, de choc électrique ou de blessure lors de l'utilisation de l'appareil, il convient d'observer certaines précautions élémentaires dont les suivantes :

1. Lire toutes les instructions avant d'utiliser la sècheuse.
2. Ne pas faire sécher dans la machine des articles qui ont déjà été nettoyés, lavés, imbibés, ou tachés d'essence, de solvants pour nettoyage à sec, d'autres substances inflammables, ou de substances explosives puisqu'elles dégagent des vapeurs qui peuvent provoquer un incendie ou une explosion.
3. Ne pas permettre à des enfants de jouer sur ou à l'intérieur de la sècheuse. Une surveillance étroite est nécessaire lorsque la sècheuse est utilisée près d'eux.
4. Avant d'enlever la sècheuse du service ou la jeter, enlever la porte du compartiment de séchage.
5. Ne pas mettre la main dans la sècheuse si le tambour est en mouvement.
6. Ne pas installer ni entreposer la sècheuse où elle sera exposée aux intempéries.
7. Ne pas jouer avec les commandes.
8. Ne pas réparer ni remplacer une pièce de la sècheuse ou essayer d'en faire l'entretien à moins d'une recommandation spécifique dans le guide d'utilisation et d'entretien, ou publiée dans les instructions de réparation par l'utilisateur que vous comprenez et pouvez exécuter avec compétence.
9. Ne pas utiliser un produit assouplissant de tissu ou des produits pour éliminer la statique à moins qu'ils ne soient recommandés par le fabricant du produit assouplissant de tissu ou du produit.
10. Ne pas utiliser la chaleur pour faire sécher des articles fabriqués avec du caoutchouc mousse ou des matériaux semblables.
11. Nettoyer le filtre à charpie avant et après chaque charge.
12. Ne pas laisser la charpie, la poussière, ou la saleté s'accumuler autour du système d'évacuation ou autour de l'appareil.
13. Un nettoyage périodique de l'intérieur de la sècheuse et du conduit d'évacuation doit être effectué par une personne qualifiée.
14. Ne pas placer des articles exposés aux huiles de cuisson dans votre sècheuse. Les articles contaminés par des huiles de cuisson peuvent contribuer à une réaction chimique qui pourrait causer à la charge de s'enflammer.

C'est au propriétaire de l'appareil qu'incombe la responsabilité de :

Respecter les dispositions de tous les codes et règlements en vigueur.

Déterminer les exigences des codes : Certains codes limitent ou prohibent l'installation d'une sècheuse dans un garage, placard, maison mobile ou chambre à coucher. Consulter l'inspecteur local des bâtiments.

Respecter les spécifications d'installation et les dimensions indiquées.

Tenir compte des besoins d'espace pour les autres appareils.

Vérifier que tout le matériel nécessaire pour une installation correcte est disponible.

Installer correctement la sècheuse.

Contacteur un installateur qualifié qui pourra garantir que l'installation des circuits de gaz et d'électricité satisfait les règlements et codes nationaux et locaux.

Décharge à l'extérieur : Il faut que les produits générés par la sècheuse soient évacués à l'extérieur pour qu'il n'y ait aucun risque d'exposition aux substances dangereuses générées par la combustion des gaz.

Remarque : La sècheuse ne doit pas être installée en un endroit où elle serait exposée à de l'eau ou aux intempéries.

CONSERVEZ CES INSTRUCTIONS

Afficher cet avertissement en un endroit très visible.

POUR VOTRE SÉCURITÉ

Ne pas entreposer ni utiliser de l'essence ou d'autres produits liquides ou gazeux inflammables à proximité de cet appareil ou de tout autre appareil électroménager.

La console abrite la carte des circuits électroniques de commande. Le système est réglé à l'usine pour un temps de séchage de 45 minutes. Au sujet de la modification du temps de séchage ou des autres options, consulter la fiche technique qu'on trouve sur la face interne du panneau de plinthe.

Le mécanisme de paiement, la serrure et la clé du tableau de commande et la serrure et la clé du réceptacle des pièces ne sont pas inclus; on peut les obtenir auprès des sources usuelles de l'industrie.

INFORMATION IMPORTANTE POUR LE RÉGLAGE

Le système de commande électronique est préconfiguré à l'usine pour qu'il accepte les commandes d'un ordinateur de poche Palm® doté du logiciel de gestion Whirlpool approprié. Si aucun ordinateur de poche ne sera utilisé, **ON DOIT DÉSACTIVER** les fonctions correspondantes lors de la configuration des circuits de commande; si ces fonctionnalités ne sont pas désactivées, un accès non autorisé à la machine est possible.

Spécifications du système d'évacuation

⚠ AVERTISSEMENT



Risque d'incendie

Utiliser un conduit d'évacuation en métal épais.

Ne pas utiliser un conduit d'évacuation en plastique.

Ne pas utiliser un conduit d'évacuation en feuille métallique mince.

Le non-respect de ces instructions peut provoquer un décès ou un incendie.

Ne pas utiliser un conduit flexible non-métallique, un conduit métallique de diamètre inférieur à 10,2 cm (4 po) ou une bouche de décharge avec clapet à fermeture magnétique.

L'orifice d'évacuation de la sécheuse doit être relié à l'extérieur.

Ne pas évacuer l'air de la sécheuse dans une cheminée, le conduit d'évacuation d'un appareil à gaz, dans un grenier ou vide sanitaire ou dans une cavité fermée dissimulée du bâtiment (plafond, mur, etc.).

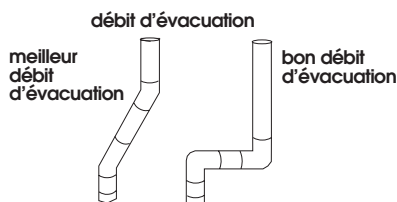
Ne pas installer un conduit flexible dans les cavités fermées des murs, plafonds ou planchers.

Lors de l'utilisation d'un circuit d'évacuation existant, nettoyer la charpie sur toute la longueur du système et veiller à ce que la bouche de décharge ne soit pas obstruée par une accumulation de charpie.

Le circuit d'évacuation devrait être inspecté et nettoyé annuellement.

Remplacer tout conduit de vinyle ou de feuille métallique mince par un conduit métallique flexible ou rigide.

Utiliser des **brides de tuyau** de 10,2 cm (4 po) pour la suspension du système d'évacuation.



Utiliser un **conduit métallique de diamètre de 10,2 cm (4 po)**. Planifier l'installation pour introduire le nombre minimal de coudes et de changements de direction.

Un **conduit métallique flexible** doit être totalement déployé et soutenu lorsque la sécheuse est à sa position finale. **NE PAS ÉCRASER NI DÉFORMER LE CONDUIT. Le conduit métallique flexible doit être complètement ouvert pour permettre le débit d'évacuation adéquat.**

Si des coudes sont utilisés ou des changements de direction effectués, prévoir autant d'espace que possible. Plier le conduit graduellement pour éviter de le déformer. Enlever tout excès de conduit flexible pour éviter tout affaissement/déformation susceptible de réduire le débit d'air.

La **bouche de sortie** est située à l'arrière

de la sécheuse, en bas/au centre.

On peut acheminer le **conduit d'évacuation** par le haut, par le bas, par la gauche, par la droite, ou en ligne droite depuis l'arrière de la sécheuse.

La **longueur maximale** du circuit d'évacuation dépend du type de conduit utilisé, du nombre de coudes et du type de bouche de décharge. La longueur maximale pour le circuit de conduit rigide ou flexible est indiquée dans le tableau ci-dessous.

Nbre de coudes À 90°	TYPE DE BOUCHE DE DÉCHARGE		
LONGUEUR MAXIMALE DE CONDUIT MÉTALLIQUE RIGIDE DE 10,2 CM (4 PO)			
0	19,5 m (64 pi)	19,5 m (64 pi)	17,7 m (58 pi)
1	16,5 m (54 pi)	16,5 m (54 pi)	14,6 m (48 pi)
2	13,4 m (44 pi)	13,4 m (44 pi)	11,6 m (38 pi)
3	10,7 m (35 pi)	10,7 m (35 pi)	8,8 m (29 pi)
4	8,2 m (27 pi)	8,2 m (27 pi)	6,4 m (21 pi)
LONGUEUR MAXIMALE DE CONDUIT MÉTALLIQUE FLEXIBLE DE 10,2 CM (4 PO)			
0	11,0 m (36 pi)	11,0 m (36 pi)	8,5 m (28 pi)
1	9,4 m (31 pi)	9,4 m (31 pi)	7,0 m (23 pi)
2	8,2 m (27 pi)	8,2 m (27 pi)	5,8 m (19 pi)
3	7,6 m (25 pi)	7,6 m (25 pi)	5,2 m (17 pi)
4	7,0 m (23 pi)	7,0 m (23 pi)	4,6 m (15 pi)

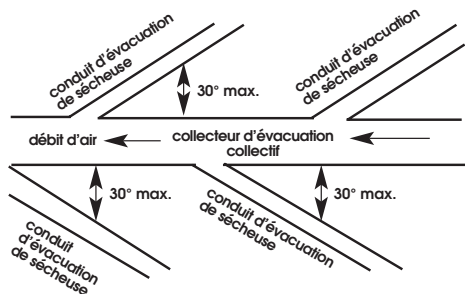
Pour un **circuit d'évacuation** qui n'est pas couvert par le tableau, consulter le **manuel de service Whirlpool**, «Exhausting Whirlpool Dryers», pièce n° 603197, qu'on peut obtenir auprès du distributeur de pièces Whirlpool.

Si la sécheuse est installée dans un espace réduit tel qu'une chambre à coucher, salle de bain ou un placard, l'orifice de décharge doit être relié à l'extérieur. On doit prévoir une arrivée d'air en quantité suffisante pour la combustion et la ventilation. (Consulter les codes et règlements en vigueur.) Voir «Instructions d'installation dans un encastrement ou dans un placard» à la page 12.

L'extrémité du conduit d'évacuation devrait être dotée d'une bouche de décharge empêchant l'air évacué de revenir à la sécheuse. L'orifice de la bouche de décharge doit être situé à au moins 30,5 cm (12 po) au-dessus du sol ou de tout autre objet situé sur la trajectoire de l'air évacué.

L'emploi d'une bouche de décharge de 10,2 cm (4 po) est préférable. On peut cependant utiliser une bouche de 6,4 cm (2 1/2 po). Une bouche de décharge de 6,4 cm (2 1/2 po) peut causer une plus forte rétropression que les autres genres de bouches. Pour une installation permanente, un système d'évacuation fixe est requis.

Un conduit d'évacuation collectif peut être utilisé pour un groupe de sécheuses. Le conduit d'évacuation principal devrait être d'un diamètre suffisant pour évacuer 94,4 litres/sec (200 pi³/m) d'air par sécheuse. Des filtres à charpie de forte capacité et de conception adéquate peuvent être utilisés dans le conduit collectif d'évacuation s'ils sont inspectés et nettoyés fréquemment. La pièce où se trouvent les sécheuses devrait recevoir un apport d'air de débit égal ou supérieur au débit total (pi³/s) de toutes les sécheuses installées dans la pièce.



Des ensembles antirefoulement, n° de pièce 3391910, sont disponibles chez votre marchand Whirlpool et devraient être installés dans le conduit d'évacuation de chaque sécheuse pour empêcher l'air évacué de retourner dans les sécheuses et pour maintenir une pression équilibrée dans le conduit principal d'évacuation. Des orifices de passage d'air non obstrués sont requis.

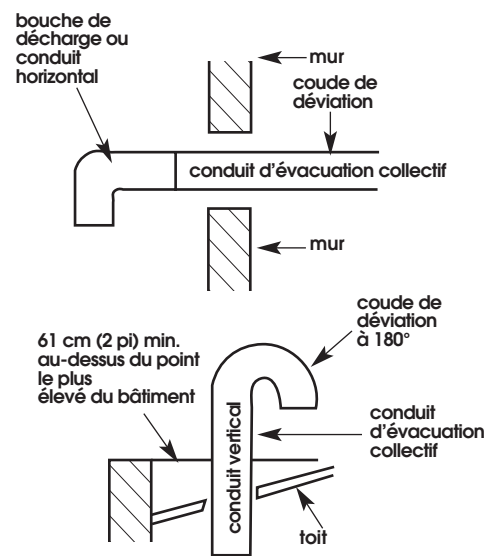
Chaque conduit d'évacuation devrait pénétrer dans le conduit principal à un angle pointant dans la direction du débit d'air. Les conduits raccordés au conduit principal de part et d'autre devraient être disposés en quinconce pour que l'air évacué par une sécheuse ne puisse perturber l'évacuation d'une autre sécheuse.

L'angle maximal entre le conduit connecté à une sécheuse et le conduit principal ne devrait pas dépasser 30°.

Faire en sorte que les vapeurs générées par les liquides de nettoyage à sec ne puissent pas atteindre les orifices d'entrée d'air; ces vapeurs créent des composés acides qui, lorsqu'ils sont attirés vers les unités de chauffage des sécheuses, peuvent endommager les sécheuses et le linge en cours de séchage.

Une bouche de nettoyage devrait être installée dans le conduit principal d'évacuation pour les nettoyages périodiques du système d'évacuation.

L'extrémité du conduit principal d'évacuation devrait être dotée d'une bouche de décharge empêchant l'air d'évacuation de revenir vers les sécheuses. Si une bouche de décharge ne peut être utilisée, l'extrémité extérieure du conduit principal devrait être munie d'un coude de déviation dirigé vers le bas. Si le conduit principal suit une trajectoire verticale à travers le toit, plutôt qu'à travers le mur, installer un coude de déviation de 180° à l'extrémité du conduit et dépassant d'au moins 61 cm (2 pi) la partie la plus élevée du bâtiment. L'ouverture murale ou dans le toit doit avoir un diamètre supérieur de 1,3 cm (1/2 po) à celui du conduit d'évacuation. Le conduit d'évacuation devrait être centré dans l'ouverture.



Ne pas installer une grille ou un couvercle sur l'extrémité du conduit d'évacuation.

Pour obtenir des copies des normes susmentionnées, contacter :

* National Fire Protection Association
One Batterymarch Park
Quincy, Massachusetts 02269

Sécheuse à gaz

Spécifications

⚠ AVERTISSEMENT



Risque d'explosion

Utiliser une canalisation de gaz neuve (agrément AGA ou CSA).

Installer un robinet d'arrêt.

Bien serrer toutes les connexions de la canalisation de gaz.

Si la sécheuse est alimentée au propane, demander à une personne qualifiée de vérifier que la pression du gaz ne dépasse pas 33 cm (13 po) (colonne d'eau). Exemples de personnes qualifiées : chauffagiste professionnel, personnel autorisé d'un fournisseur de gaz, et technicien d'entretien agréé.

Le non-respect de ces instructions peut causer un décès, une explosion ou un incendie.

RESPECTER LES DISPOSITIONS DE TOUS LES CODES ET RÈGLEMENTS EN VIGUEUR.

A. L'installation réalisée doit être conforme aux prescriptions de la dernière édition* de la norme ANSI Z223.1/NFPA 54 (National Fuel Gas Code), ou de la norme CAN/CGA B149*, et aux prescriptions de tous les codes et règlements locaux en vigueur.

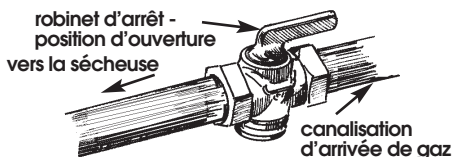
B. La conception de cette sécheuse a été homologuée par CSA International pour l'utilisation jusqu'à une altitude de 3048 m (10 000 pi) au-dessus du niveau de la mer, pour le débit thermique indiqué sur la plaque signalétique. Aucun réglage du brûleur n'est nécessaire lorsque la sécheuse est utilisée à une altitude inférieure à cette valeur maximale.

Si la sécheuse doit être utilisée à une altitude supérieure à 3048 mètres (10 000 pieds), on doit réduire de 4 % le débit thermique du brûleur indiqué sur la plaque signalétique pour chaque tranche de 305 m (1000 pi) d'augmentation de l'altitude. Consulter votre compagnie de service locale pour obtenir de l'aide lors de la conversion à d'autres types de gaz ou de l'installation de la sécheuse à une altitude supérieure à 3048 mètres (10 000 pieds).

C. Vérifier que la sècheuse est équipée du brûleur convenable, correspondant au gaz spécifique qui alimente l'habitation. L'information sur le brûleur se trouve sur la plaque signalétique, placée dans le logement de la porte de l'appareil. Si cette information ne correspond pas au type de gaz disponible, consulter le marchand.

D. La sècheuse est équipée pour l'alimentation au GAZ NATUREL. Elle est homologuée par CSA International pour l'alimentation avec gaz fabriqués, gaz mixtes et gaz liquéfiés (propane et butane), après conversion appropriée. Ne pas entreprendre de convertir l'appareil pour l'utilisation d'un gaz différent de celui indiqué sur la plaque signalétique sans d'abord consulter le fournisseur de gaz. **Un technicien qualifié doit effectuer la conversion. Les numéros des pièces nécessaires pour la conversion sont mentionnés sur la base de la valve du brûleur.**

E. Installer une **canalisation de gaz rigide** de 1,3 cm (1/2 po) IPS jusqu'à l'emplacement de la sècheuse. Si la longueur totale est supérieure à 6,1 m (20 pi), utiliser du conduit de plus gros diamètre. Pour l'utilisation de gaz propane, on peut utiliser du conduit de cuivre homologué de 3/8 po. Assurer l'étanchéité des connexions avec un composé d'étanchéité résistant au gaz propane.



F. La canalisation d'arrivée de gaz doit incorporer un robinet d'arrêt installé à moins de 1,8 m (6 pi) de la sècheuse conformément aux prescriptions de la dernière édition* de la norme ANSI Z223.1 (National Fuel Gas Code). Au Canada, un robinet d'arrêt manuel individuel doit être installé conformément aux prescriptions des normes CAN/CGA B149.1 et B149.2* (codes d'installation). Ce robinet doit être situé dans la même pièce que la sècheuse, à un endroit où on peut facilement l'ouvrir et le fermer. Ne pas entraver l'accès au robinet d'arrêt.

G. Si la sècheuse est installée dans un espace réduit comme salle de bain ou placard, on doit prévoir une arrivée d'air appropriée pour la combustion et la ventilation. (Consulter les codes et règlements en vigueur, ou voir la section de ce manuel traitant de l'installation dans un placard ou espace réduit.)

H. Si les codes et règlements locaux le permettent, on recommande l'emploi d'un conduit métallique flexible neuf de conception homologuée par l'American Gas Association ou CSA pour le raccordement de la sècheuse à la canalisation d'arrivée de gaz. (Le raccord qui dépasse à l'arrière/en bas de la sècheuse comporte un filetage mâle de 3/8 po.)

I. Si une canalisation rigide d'arrivée de gaz est utilisée, on doit utiliser une combinaison de raccords pour réaliser un raccordement dans l'alignement du raccord de la sècheuse.



J. Veiller à ce que les bords inférieurs de la caisse ainsi que l'arrière et les côtés inférieurs de la sècheuse soient exempts d'obstructions, afin de permettre le passage adéquat de l'air de combustion. Voir «Instructions d'installation dans un encastrement ou un placard», à la page 12 pour l'espace de dégagement minimal.

K. Pour faciliter l'installation, l'utilisation et l'entretien (le cas échéant), il est recommandé de prévoir un espace adéquat autour de la sècheuse.

L. Un raccord de 0,317 cm (1/8 po) NPT, accessible pour le raccordement d'un manomètre de test doit être installé immédiatement en amont du point de raccordement de la canalisation d'arrivée de gaz de la sècheuse. Lors de tout test de pressurisation du système à une pression de test supérieure à 3,4 kPa (1/2 lb/po² rel.), la sècheuse doit être déconnectée de la canalisation d'arrivée de gaz.

Lors de tout test de pressurisation du système à une pression de test égale ou inférieure à 3,45 kPa (1/2 lb/po² rel.), la sècheuse doit être isolée de la canalisation d'arrivée de gaz par fermeture du robinet d'arrêt individuel manuel.

Installation électrique

⚠ AVERTISSEMENT



Risque de choc électrique

Brancher sur une prise à 3 alvéoles reliée à la terre.

Ne pas enlever la broche de liaison à la terre.

Ne pas utiliser un adaptateur.

Ne pas utiliser un câble de rallonge.

Le non-respect de ces instructions peut causer un décès, un incendie ou un choc électrique.

Important : Respecter les prescriptions de tous les codes et règlements en vigueur.

L'appareil doit être alimenté par un circuit électrique de 120 V (CA seulement), 60-Hz, protégé par un fusible de 15 ou 20 A. On recommande l'emploi d'un fusible temporisé ou d'un disjoncteur.

Il est préférable que l'appareil soit alimenté par un circuit distinct, n'alimentant que cet appareil.

Si on utilise un conducteur distinct de liaison à la terre lorsque le code local le permet, il est recommandé qu'un électricien qualifié vérifie la qualité de la liaison à la terre.

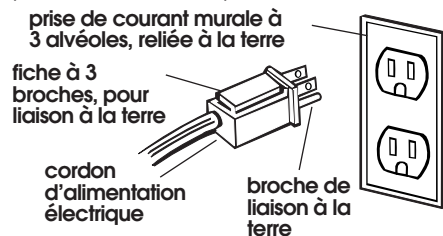
Méthode recommandée de liaison à la terre

Après l'installation, la sècheuse doit être reliée à la terre conformément aux codes locaux, ou en l'absence de codes locaux, conformément au Code national de l'électricité ANSI/NFPA 70**, ou conformément aux prescriptions de la norme CSA C22.1* (Code canadien de l'électricité).

INSTRUCTIONS DE LIAISON À LA TERRE : Cet appareil doit être relié à la terre. Advenant un fonctionnement défectueux ou une panne, la liaison à la terre réduira le risque de choc électrique en fournissant une voie de passage de moindre résistance pour le courant électrique.

Le cordon doit être branché dans une prise de courant murale de configuration correspondante bien installée et adéquatement reliée à la terre conformément aux prescriptions de tous les codes et règlements locaux.

AVERTISSEMENT : Une connexion défectueuse du conducteur de liaison à la terre de l'équipement peut présenter un risque de choc électrique. En cas de doute quant à la qualité de la liaison à la terre de l'appareil, consulter un électricien ou technicien qualifié. Ne pas modifier la fiche du cordon d'alimentation. Si la fiche du cordon ne correspond pas à la configuration de la prise de courant, faire installer une prise de courant convenable par un électricien qualifié.



Pour obtenir des copies des normes susmentionnées, contacter :

* CSA International
8501 East Pleasant Valley Road
Cleveland, Ohio 44131-5575

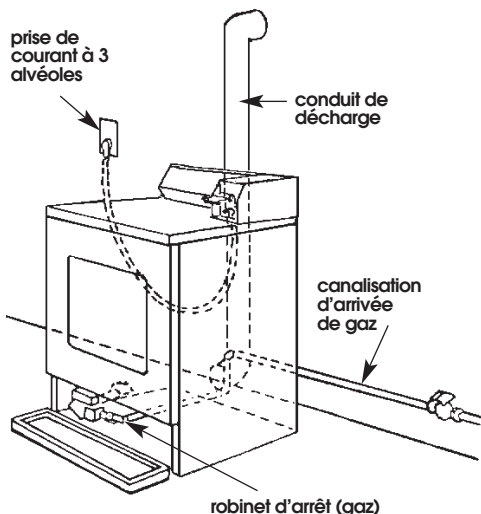
** National Fire Protection Association
One Batterymarch Park
Quincy, Massachusetts 02269

Commencer...

Avec la sècheuse dans la buanderie.

AVERTISSEMENT

Risque du poids excessif
Utiliser deux ou plus de personnes
pour déplacer et installer la sècheuse.
Le non-respect de cette instruction
peut causer une blessure au dos ou
d'autre blessure.



1. Enlever le ruban adhésif dans les angles avant de la sècheuse. Ouvrir la sècheuse; enlever les brochures et sachets de pièces. Essuyer parfaitement la surface interne du tambour avec un chiffon humide.

2. Prendre deux cornières de carton de l'emballage et les placer sur le plancher à l'arrière de la sècheuse. Saisir fermement la sècheuse et la placer doucement en appui sur la face arrière, sur les cornières de carton.

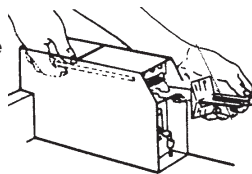
3. Prendre l'un des pieds et identifier la marque en losange dans le filetage. Ce repère indique jusqu'où le pied doit être vissé dans le trou.

4. Commencer à visser à la main les pieds avant dans les trous. (Utiliser une petite quantité de détergent liquide pour lubrifier la section filetée, pour qu'il soit plus facile de tourner les pieds). Utiliser une clé de 1 po ou une clé à douille pour visser les pieds jusqu'au repère.

Placer maintenant la sècheuse verticalement.

Placer la sècheuse sur une feuille de carton ou un panneau de bois dur avant de la déplacer sur le plancher, afin d'éviter d'endommager le revêtement du sol.

5. Ôter la plaque de l'ouverture d'accès du boîtier de commande. Soulever la plaque à l'arrière pour l'enlever. Installer le dispositif d'introduction de pièces (pour l'installation, consulter les instructions d'installation du fabricant).



Pour une sècheuse dotée d'un mécanisme d'insertion à coulissement, utiliser l'ensemble d'adaptation fourni avec la sècheuse. Réinstaller la plaque de l'ouverture d'accès du boîtier de commande. Placer la boîte à pièces avec la serrure, et verrouiller.

6. Placer la sècheuse à proximité de son emplacement final. Retirer la feuille de carton ou le panneau de bois dur placé sous la sècheuse.

7. Retirer le capuchon rouge de la canalisation de gaz. Déplacer doucement la sècheuse jusqu'à son emplacement final. Placer un niveau sur le dessus de la sècheuse, d'abord transversalement, puis d'avant en arrière. Si l'aplomb n'est pas correct, ajuster la longueur des pieds pour établir l'aplomb correct de la sècheuse.

8. Raccorder la canalisation de gaz à la sècheuse. Utiliser un composé d'étanchéité compatible avec le gaz propane. Si un conduit métallique est utilisé, vérifier qu'il n'est pas déformé. Si c'est nécessaire, enlever le panneau de plinthe – utiliser un couteau à mastic pour appuyer sur le verrou, situé au centre/au sommet du panneau de plinthe. Tirer vers le bas pour provoquer l'ouverture du panneau de plinthe. Le panneau de plinthe est monté sur des charnières, en bas.

9. Ouvrir le robinet d'arrêt de la canalisation d'arrivée de gaz.

10. Utiliser un liquide non corrosif de détection des fuites pour rechercher les fuites. La formation de bulles au niveau d'une connexion indique la présence d'une fuite. En présence d'une fuite, fermer les robinets d'arrêt de la canalisation de gaz et ajuster les raccords. Vérifier de nouveau les raccords. Fermer le panneau de plinthe. **Toutes les connexions doivent être serrées à l'aide d'une clé.**

11. Consulter les pages 3-4 pour les instructions concernant le circuit d'évacuation de la sècheuse. Connecter le conduit d'évacuation à l'orifice de sortie de la sècheuse et à la bouche de décharge à l'extérieur à l'aide de brides de 10,2 cm (4 po). Calfeutrer à l'extérieur l'espace entre le mur et la bouche de décharge extérieure.

12. Placer prudemment la sècheuse à son emplacement final. Placer un niveau sur le sommet de la sècheuse, transversalement, puis dans le sens avant arrière. Si la sècheuse n'est pas d'aplomb, ajuster les pieds pour modifier la hauteur et établir un bon aplomb de la sècheuse.

13. Brancher le cordon d'alimentation électrique sur une prise de courant reliée à la terre.

14. Contrôler le bon fonctionnement de la sècheuse (la minuterie peut indiquer un temps de service cumulatif du fait de tests effectués à l'usine).

Insérer les pièces dans le mécanisme à coulisse et enfoncer doucement le mécanisme à coulisse (le temps de fonctionnement sera accumulé, selon le nombre de pièces et le type de la came utilisée). Appuyer sur le bouton START/RESTART. Faire fonctionner la sècheuse pendant cinq minutes – programme de séchage avec chaleur (pas le programme de séchage à l'air). La sècheuse s'arrêtera à l'expiration de la période ainsi déterminée.

Remarque : Il faut que la porte soit fermée pour que la sècheuse puisse fonctionner. La sècheuse s'arrête dès l'ouverture de la porte, mais la minuterie continue de fonctionner. Pour remettre la sècheuse en marche, fermer la porte et appuyer sur le bouton START/RESTART.

15. Si on ne perçoit aucune chaleur à l'intérieur de la sècheuse et si le brûleur ne s'allume pas, arrêter la sècheuse pendant 5 minutes. Vérifier que tous les robinets de la canalisation d'alimentation sont ouverts et que le cordon d'alimentation électrique est branché. Répéter le test de cinq minutes de fonctionnement.

16. Si le temps de séchage est trop long, s'assurer que le filtre à charpie est propre.

Sécheuse électrique

Spécifications de l'installation électrique

Si on utilise un conducteur distinct de liaison à la terre lorsque le code local le permet, il est recommandé qu'un électricien qualifié vérifie la qualité de la liaison à la terre.

Important : Respecter tous les codes et règlements en vigueur.

Cet appareil doit être alimenté par un circuit indépendant de 120/240 volts, 60 Hz, CA seulement (ou câble à trois ou quatre fils 120/208 volts, si ceci correspond aux indications de la plaque signalétique) (Canada : quatre conducteurs seulement); le circuit doit être protégé par des fusibles ou disjoncteurs de 30 A sur les deux conducteurs d'alimentation; on recommande l'emploi de fusibles temporisés ou de disjoncteurs.

Méthode recommandée de liaison à la terre

Aux É.-U. :

C'est au client qu'incombent l'obligation et la responsabilité personnelle de contacter un électricien qualifié qui devra vérifier que l'installation électrique est adéquate et conforme aux prescriptions du Code national de l'électricité, ANSI/NFPA 70 — dernière édition*, et de tous les codes et règlements locaux.

Au Canada :

C'est au client qu'incombent la responsabilité et l'obligation personnelles d'installer la sécheuse conformément aux prescriptions de la norme CAN 1-B149** et des codes nationaux et locaux applicables.

Les modèles destinés au Canada sont dotés d'un cordon de branchement flexible 30 A, à quatre conducteurs. On doit brancher la fiche sur une prise de courant 30 A de configuration correspondante (type NEMA 14-30R).

Des copies des normes susmentionnées sont disponibles auprès de :

* National Fire Protection Association
One Batterymarch Park
Quincy, Massachusetts 02269

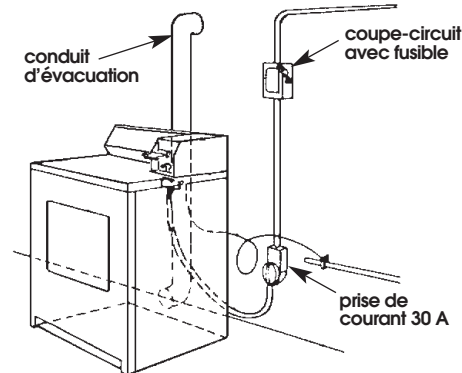
** CSA International
8501 East Pleasant Valley Road
Cleveland, Ohio 44131-5575

Commencer...

AVERTISSEMENT

**Risque du poids excessif
Utiliser deux ou plus de personnes
pour déplacer et installer la sécheuse.
Le non-respect de cette instruction
peut causer une blessure au dos ou
d'autre blessure.**

Avec la sécheuse dans la buanderie...



1. Enlever le ruban adhésif dans les angles avant de la sécheuse. Ouvrir la sécheuse; enlever les brochures et sachets de pièces. Essuyer parfaitement la surface interne du tambour avec un chiffon humide.

2. Prendre deux cornières de carton de l'emballage et les placer sur le plancher à l'arrière de la sécheuse. Saisir fermement la sécheuse et la placer doucement en appui sur la face arrière, sur les cornières de carton.

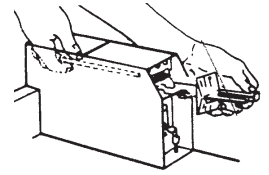
3. Prendre l'un des pieds et identifier la marque en losange dans le filetage. Ce repère indique jusqu'où le pied doit être vissé dans le trou.

4. Commencer à visser à la main les pieds avant dans les trous. (Utiliser une petite quantité de détergent liquide pour lubrifier la section filetée, pour qu'il soit plus facile de tourner les pieds). Utiliser une clé de 1 po ou une clé à douille pour visser les pieds jusqu'au repère.

Placer maintenant la sécheuse verticalement.

Placer la sécheuse sur une feuille de carton ou un panneau de bois dur avant de la déplacer sur le plancher, afin d'éviter d'endommager le revêtement du sol.

5. Ôter la plaque de l'ouverture d'accès du boîtier de commande. Soulever la plaque à l'arrière pour l'enlever. Installer le dispositif d'introduction de pièces (pour l'installation, consulter les instructions d'installation du fabricant).



Pour une sécheuse dotée d'un mécanisme d'insertion à coulissement, utiliser l'ensemble d'adaptation fourni avec la sécheuse.

Réinstaller la plaque de l'ouverture d'accès du boîtier de commande. Placer la boîte à pièces avec la serrure, et verrouiller.

6. Placer la sécheuse à proximité de son emplacement permanent. Retirer la feuille de carton ou le panneau de bois dur placé sous la sécheuse.

7. Installation aux É.-U. :

Exécuter le raccordement au circuit électrique.

Lors de la fabrication de cette sècheuse, le conducteur de liaison à la terre connecté au châssis de la sècheuse a été raccordé sur la borne de connexion du conducteur NEUTRE (central) du circuit d'alimentation. Si le code local ne permet pas ce type de raccordement, exécuter le raccordement conformément aux instructions de la section « Circuit à quatre conducteurs ».

Pour un appareil relié à la terre, raccordé par un cordon d'alimentation -

INSTRUCTIONS DE LIAISON À LA TERRE :

Cet appareil doit être relié à la terre. Advenant un fonctionnement défectueux ou une panne, la liaison à la terre réduira le risque de choc électrique en fournissant une voie de passage de moindre résistance pour le courant électrique.

Le cordon d'alimentation doit être branché dans une prise de courant murale de configuration correspondante bien installée et adéquatement reliée à la terre conformément à tous les codes et règlements locaux.

AVERTISSEMENT - Une connexion défectueuse du conducteur de liaison à la terre de l'équipement peut présenter un risque de choc électrique. En cas de doute quant à la qualité de la liaison à la terre de l'appareil, consulter un électricien ou technicien qualifié. Ne pas modifier la fiche du cordon d'alimentation. Si la fiche du cordon ne correspond pas à la configuration de la prise de courant, faire installer une prise de courant convenable par un électricien qualifié.

Pour un appareil à câblage permanent -

INSTRUCTIONS DE LIAISON À LA TERRE

Cet appareil doit être relié à un circuit de câblage métallique permanent relié à la terre; ou un conducteur de liaison à la terre de l'équipement doit être installé avec les conducteurs d'alimentation et connecté à la borne ou au fil de liaison à la terre de l'équipement sur l'appareil.

Installation au Canada :

Appareil avec cordon de branchement et liaison à la terre -

INSTRUCTIONS DE LIAISON À LA TERRE :

Cet appareil doit être relié à un circuit de câblage métallique permanent relié à la terre; ou un conducteur de liaison à la terre de l'équipement doit être installé avec les conducteurs d'alimentation et connecté à la borne ou au fil de liaison à la terre de l'équipement sur l'appareil.

Cet appareil est doté d'un cordon de branchement avec conducteur et broche de liaison à la terre. La fiche doit être branchée sur une prise de courant de

même configuration convenablement installée et reliée à la terre conformément aux prescriptions de tous les codes et règlements locaux.

AVERTISSEMENT - Une connexion défectueuse du conducteur de liaison à la terre de l'équipement peut présenter un risque de choc électrique. En cas de doute quant à la qualité de la liaison à la terre de l'appareil, consulter un électricien ou technicien qualifié. Ne pas modifier la fiche du cordon d'alimentation. Si la fiche du cordon ne correspond pas à la configuration de la prise de courant, faire installer une prise de courant convenable par un électricien qualifié.

Cordon d'alimentation É.-U. seulement

Utiliser un cordon d'alimentation neuf (agrément UL) pour service 240 volts min., 30 A, identifié pour utilisation avec une sècheuse à linge.

AVERTISSEMENT



Risque d'incendie

Utiliser un cordon d'alimentation neuf de 30 A (agrément UL).

Utiliser un serre-câble (agrément UL).

Interrompre l'alimentation électrique avant d'effectuer les raccordements.

Raccorder le conducteur neutre (blanc ou conducteur central) à la borne centrale (argent).

Raccorder le conducteur de liaison à la terre (vert ou nu) à la vis verte de liaison à la terre.

Brancher les 2 autres conducteurs d'alimentation sur les 2 autres bornes (or).

Bien serrer toutes les vis de connexion.

Le non-respect de ces instructions peut provoquer un décès, un incendie ou un choc électrique.

Cablage direct É.-U. seulement

AVERTISSEMENT



Risque d'incendie

Utiliser un conducteur de cuivre de calibre 10.

Utiliser un serre-câble (agrément UL).

Interrompre l'alimentation électrique avant d'effectuer les raccordements.

Raccorder le conducteur neutre (blanc ou conducteur central) à la borne centrale (argent).

Raccorder le conducteur de liaison à la terre (vert ou nu) à la vis verte de liaison à la terre.

Brancher les 2 autres conducteurs d'alimentation sur les 2 autres bornes (or).

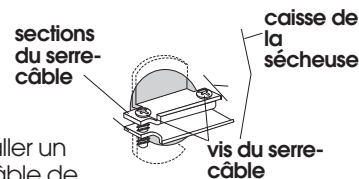
Bien serrer toutes les vis de connexion.

Le non-respect de ces instructions peut provoquer un décès, un incendie ou un choc électrique.

1. Interrompre l'alimentation électrique.



2. Ôter la vis de retenue et le couvercle du bloc de connexion.

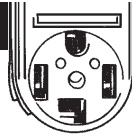


3. Installer un serre-câble de 3/4 po (agrément UL, avec marque sur le serre-câble) dans le trou au-dessous de l'ouverture du bloc de connexion. Serrer les vis du serre-câble juste assez pour que les deux parties du serre-câble soient maintenues ensemble. Faire passer le câble d'alimentation entre les deux plaquettes.

Exécuter les instructions d'installation qui suivent, selon le type de raccordement :

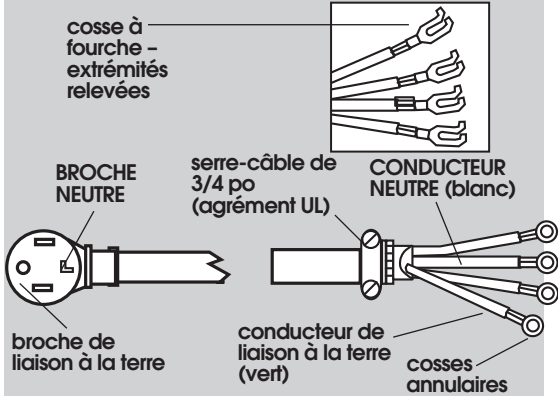
- Quatre conducteurs (méthode recommandée)
- Trois conducteurs (si un circuit à quatre conducteurs n'est pas disponible)

Circuit à quatre conducteurs...



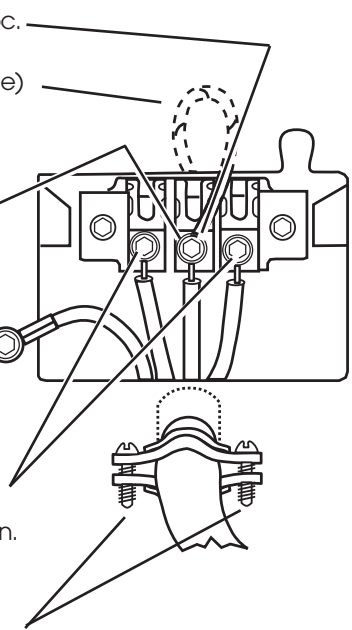
Prise de courant à quatre conducteurs (nécessaire pour maison mobile)

CORDON D'ALIMENTATION



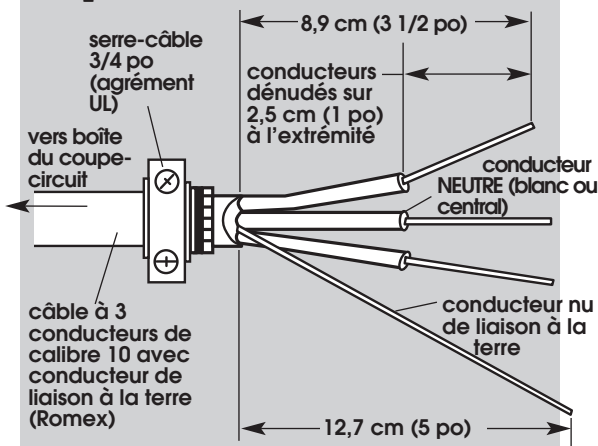
Le cordon d'alimentation à quatre conducteurs doit comporter quatre conducteurs de cuivre no 10, et on doit disposer d'une prise de courant à quatre alvéoles à type NEMA 14-30R. Le quatrième conducteur (liaison à la terre) doit être identifié par un isolant vert et le conducteur neutre par un isolant blanc.

4. Ôter la vis de la borne centrale du bloc.
5. Séparer le conducteur de liaison à la terre de l'appareil (vert avec rayure jaune) de la vis de connexion au châssis. Connecter ce conducteur sous la vis centrale de teinte argent du bloc de connexion.
6. Connecter le conducteur neutre (blanc ou central) du cordon d'alimentation sous la vis de la borne centrale du bloc de connexion. Serrer la vis.
7. Connecter le conducteur vert de liaison à la terre du cordon d'alimentation à la vis de connexion du conducteur externe de liaison à la terre. Serrer la vis.
8. Connecter les autres conducteurs sur les bornes externes du bloc de connexion. Serrer les vis.
9. Serrer les vis du serre-câble.
10. Réinstaller le couvercle du logement des connexions sur le panneau arrière de la sècheuse. Fixer le couvercle avec la vis.



CABLAGE DIRECT

Préparation du câble :

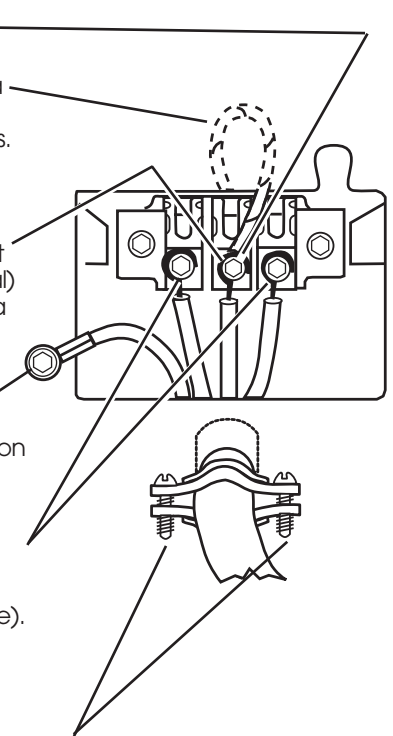


Enlever 12,7 cm (5 po) de la gaine externe à l'extrémité du câble. Conserver la longueur de 12,7 cm (5 po) du conducteur nu de liaison à la terre. Pour les 3 autres conducteurs, couper une section de 3,8 cm (1 1/2 po) à l'extrémité. Dénuder ensuite chaque conducteur sur 2,5 cm (1 po).



Former un crochet à l'extrémité de chaque conducteur.

4. Ôter la vis de la borne centrale du bloc.
5. Séparer le conducteur de liaison à la terre de l'appareil (vert avec rayure jaune) de la vis de connexion au châssis. Connecter ce conducteur sous la vis centrale de teinte argent du bloc de connexion.
6. Placer l'extrémité formée en crochet du conducteur neutre (blanc ou central) du câble d'alimentation sous la vis de la borne centrale (crochet orienté vers la droite). Serrer le crochet sur la vis, puis serrer la vis.
7. Connecter le conducteur vert de liaison à la terre du cordon d'alimentation à la vis de connexion du conducteur externe de liaison à la terre. Serrer la vis.
8. Placer l'extrémité en crochet des autres conducteurs d'alimentation sous les vis des bornes externes du bloc de connexion (crochet orienté vers la droite). Serrer le crochet sur les vis, puis serrer les vis.
9. Serrer les vis du serre-câble.
10. Réinstaller le couvercle du logement des connexions sur le panneau arrière de la sècheuse. Fixer le couvercle avec la vis.

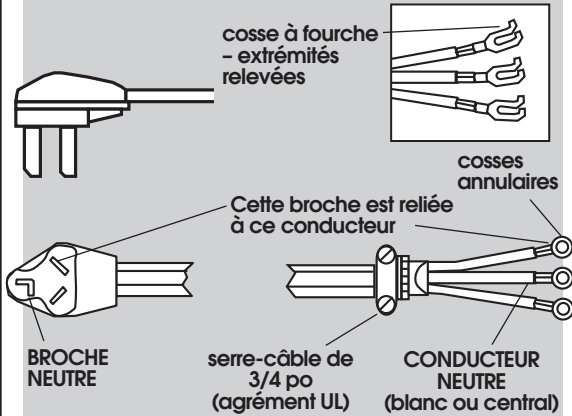


Circuit à trois conducteurs...



Prise de courant à trois conducteurs

CORDON D'ALIMENTATION



Le cordon d'alimentation à trois conducteurs doit comporter trois conducteurs de cuivre no 10, et on doit disposer d'une prise de courant à trois alvéoles de type NEMA 10-30R.

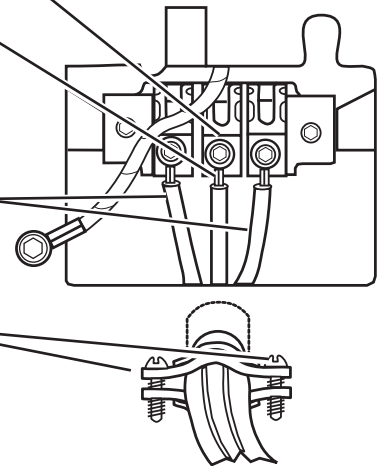
4. Desserrer ou enlever la vis de la borne centrale du bloc de connexion.

5. Connecter le conducteur neutre (blanc ou central) du cordon d'alimentation sur la borne centrale (vis de teinte argent) du bloc de connexion. Serrer la vis.

6. Connecter les autres conducteurs sur les bornes externes du bloc de connexion. Serrer les vis.

7. Serrer les vis du serre-câble.

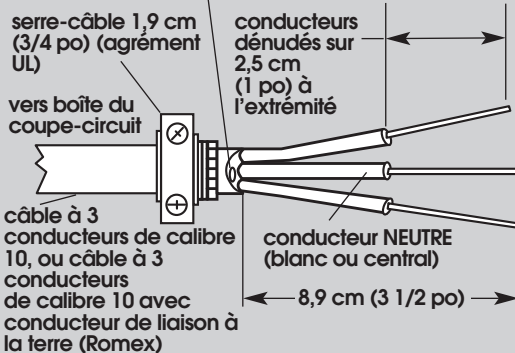
8. Réinstaller le couvercle du logement des connexions sur le panneau arrière de la sècheuse. Fixer le couvercle avec la vis.



CÂBLAGE DIRECT

Préparation du câble :

Câble à trois conducteurs plus conducteur de liaison à la terre : Sectionner le conducteur de liaison à la terre qui ne sera pas utilisé. La sècheuse est reliée à la terre par raccordement direct.



Enlever la gaine externe du câble sur 8,9 cm (3 1/2 po) à l'extrémité. Dénuder les conducteurs sur 2,5 cm (1 po). Pour un câble à 3 conducteurs plus conducteur de liaison à la terre, sectionner le conducteur de liaison à la terre à la limite de la gaine.



Former un crochet à l'extrémité de chaque conducteur.

Lorsque le code local permet le raccordement entre conducteur neutre et conducteur de liaison à la terre de la caisse :

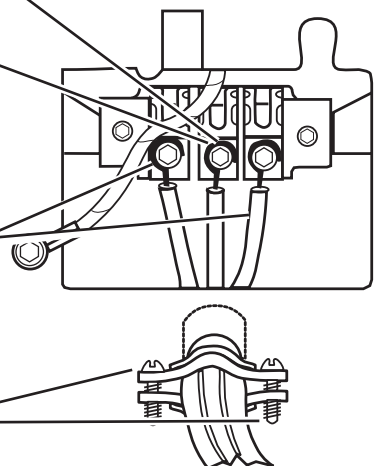
4. Desserrer ou enlever la vis de la borne centrale du bloc de connexion.

5. Placer l'extrémité formée en crochet du conducteur neutre (blanc ou central) du câble d'alimentation sous la vis de la borne centrale (crochet orienté vers la droite). Serrer le crochet sur la vis, puis serrer la vis.

6. Placer l'extrémité en crochet des autres conducteurs d'alimentation sous les vis des bornes du bloc de connexion (crochet orienté vers la droite). Serrer le crochet sur la vis, puis serrer la vis.

7. Serrer les vis du serre-câble.

8. Réinstaller le couvercle du logement des connexions sur le panneau arrière de la sècheuse. Fixer le couvercle avec la vis.



Circuit à trois conducteurs...



Prise de courant à trois conducteurs

RACCORDEMENT DIRECT OU CORDON D'ALIMENTATION

Le cordon d'alimentation à trois conducteurs doit comporter trois conducteurs de cuivre no 10, et on doit disposer d'une prise de courant à trois alvéoles de type NEMA 10-30R.

Le câble de raccordement direct doit être préparé tel que décrit aux étapes précédentes pour un raccordement par câble à trois conducteurs.

Si les codes permettent l'emploi d'un conducteur distinct de liaison à la terre, on recommande qu'un électricien qualifié vérifie la qualité de la liaison à la terre.

Si les codes locaux ne permettent pas le raccordement entre conducteur neutre et conducteur de liaison à la terre de la caisse :

4. Ôter la vis de la borne centrale du bloc.

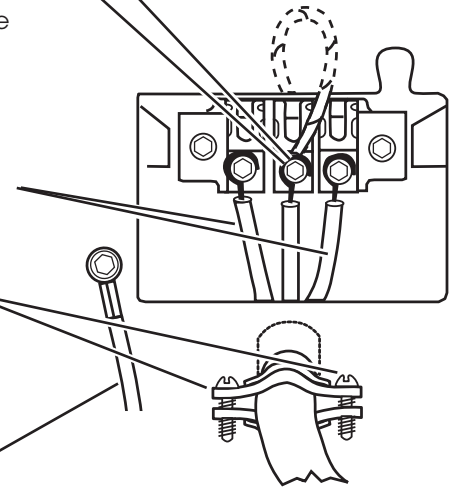
5. Séparer le conducteur de liaison à la terre de l'appareil (vert avec rayure jaune) de la vis de connexion au châssis. Connecter le conducteur de liaison à la terre et le conducteur neutre (blanc ou central) à la borne centrale (vis de teinte argent) du bloc de connexion. Serrer la vis.

6. Connecter les autres conducteurs sur les bornes externes du bloc de connexion. Serrer les vis.

7. Serrer les vis du serre-câble.

8. Réinstaller le couvercle du logement des connexions sur le panneau arrière de la sècheuse. Fixer le couvercle avec la vis.

9. Après avoir réinstallé le couvercle du logement des connexions, connecter un conducteur de liaison à la terre distinct en cuivre entre la vis de connexion verte et un point de liaison à la terre adéquat.



8. Consulter les pages 3-4 pour les instructions concernant le circuit d'évacuation de la sècheuse. Connecter le conduit d'évacuation à l'orifice de sortie de la sècheuse et à la bouche de décharge à l'extérieur à l'aide de brides de 10,2 cm (4 po). Calfeutrer à l'extérieur l'espace entre le mur et la bouche de décharge extérieure.

9. Placer prudemment la sècheuse à son emplacement final. Placer un niveau sur le sommet de la sècheuse, transversalement, puis dans le sens avant arrière. Si la sècheuse n'est pas d'aplomb, ajuster les pieds pour modifier la hauteur et établir un bon aplomb de la sècheuse.

10. Aux États-Unis et au Canada, brancher le cordon d'alimentation électrique sur une prise de courant reliée à la terre ou connecter le câble de raccordement direct à la source d'alimentation électrique. Rétablir la source d'alimentation électrique.

11. Contrôler le bon fonctionnement de la sècheuse (la minuterie peut indiquer un temps de service cumulatif du fait de tests effectués à l'usine). Tirer le bouton de réglage de la minuterie à gauche. (Le temps de fonctionnement est déterminé par le nombre de manoeuvres et le type de la came de minutage utilisée.)

Insérer les pièces dans le mécanisme à coulisse et enfoncer doucement le mécanisme à coulisse (le temps de fonctionnement sera accumulé, selon le nombre de pièces et le type de la came utilisée). Appuyer sur le bouton START/RESTART. Faire fonctionner la sècheuse pendant cinq minutes – programme de séchage avec chaleur (pas le programme de séchage à l'air). La sècheuse s'arrêtera à l'expiration de la période ainsi déterminée.

Remarque : Il faut que la porte soit fermée pour que la sècheuse puisse

fonctionner. La sècheuse s'arrête dès l'ouverture de la porte, mais la minuterie continue de fonctionner. Pour remettre la sècheuse en marche, fermer la porte et appuyer sur le bouton START/RESTART.

12. Si le temps de séchage est trop long, s'assurer que le filtre à charpie est propre.

13. Mettre la sècheuse en marche; la laisser exécuter un programme complet avec chaleur (pas le programme de séchage à l'air) pour vérifier qu'elle fonctionne correctement.

Instructions pour l'installation dans un placard ou un encastrement

Cette sècheuse peut être installée dans un placard ou un encastrement. Pour l'installation dans un placard ou un encastrement, on doit respecter les distances de séparation minimales mentionnées sur la plaque signalétique de la sècheuse.

Les distances de séparation sont exprimées en pouces; il s'agit des distances minimales. Il est utile de prévoir des distances de séparation supérieures pour faciliter l'installation et les travaux d'entretien, ou si ceci est exigé par les codes et règlements locaux.

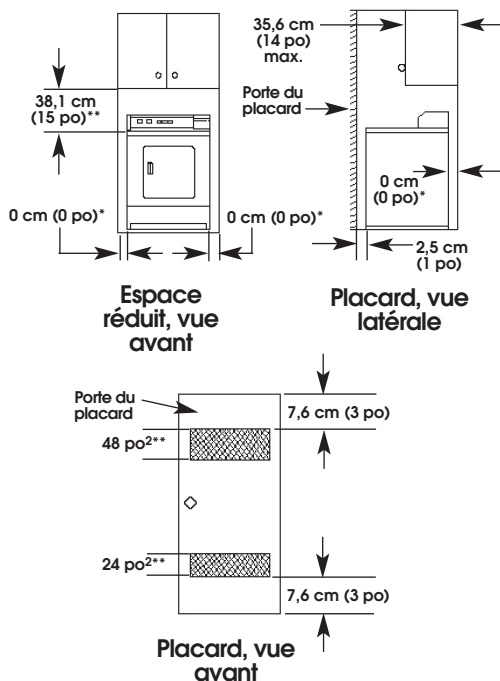
Si la porte du placard est installée, on doit respecter la taille minimale des ouvertures d'entrée d'air au sommet et en bas. On peut utiliser une porte à jalousies offrant une surface de passage d'air équivalente.

Tenir compte également de l'espace nécessaire pour les autres appareils.

Le circuit d'évacuation de la sècheuse doit être relié à l'extérieur.

Aucun autre appareil utilisant un combustible ne doit être installé dans le même placard.

Distances de séparation minimales



* On doit prévoir un espacement additionnel pour tenir compte éventuellement des moulures sur mur, porte et plancher, ou si le circuit d'évacuation comporte un coude.

** Taille minimale de l'ouverture pour la porte du placard. On peut utiliser une porte à jalousie offrant une surface de passage d'air équivalente.

Instructions d'entretien

- Nettoyer le filtre à charpie après chaque utilisation.
- Ne conserver aucun produit combustible (matériaux, essence ou liquide ou gaz inflammable) à proximité de la sècheuse.
- Veiller à ne pas entraver la circulation de l'air de combustion et de ventilation.

Déménagement de la sècheuse...

Avant de déplacer la sècheuse sur le plancher, on doit la placer sur une feuille de carton ou un panneau de bois pour éviter d'endommager le revêtement du sol.

Sècheuse à gaz :

- Débrancher le cordon d'alimentation électrique; fixer le cordon sur la sècheuse à l'aide de ruban adhésif.
- Fermer le robinet d'arrêt de la conduite d'arrivée de gaz.
- Déconnecter la canalisation de gaz et les raccords de la sècheuse, et mettre un bouchon sur la canalisation de gaz. Poser du ruban adhésif pour obturer la canalisation de gaz de la sècheuse.

Sécheuses électriques :

- Interrompre l'alimentation électrique de la sècheuse.
 - Débrancher le cordon d'alimentation électrique de la prise ou débrancher le câble du bloc de connexion de la sècheuse.
- Tous les modèles :**
- Vérifier que tous les pieds de réglage de l'aplomb sont bien vissés dans la base de la sècheuse.
 - À l'aide de ruban adhésif, fixer le tambour de la sècheuse au panneau avant.
 - Immobiliser la porte et le filtre à charpie avec du ruban adhésif et en mettre également sur l'extrémité de la canalisation de gaz.

Avant de retirer l'appareil du service ou de le mettre au rebut, démonter la porte de la sècheuse.

Si la sècheuse ne fonctionne pas correctement...

Contrôler pour vérifier que :

1. Le circuit d'alimentation électrique est bien alimenté.
2. Les disjoncteurs ne sont pas ouverts et les fusibles sont intacts.
3. La porte est fermée.
4. Les boutons de commande sélectionnent une configuration de fonctionnement.
5. Le bouton START (mise en marche) a été enfoncé.
6. Pour une sècheuse à gaz, vérifier que les robinets de la canalisation de gaz sont ouverts.

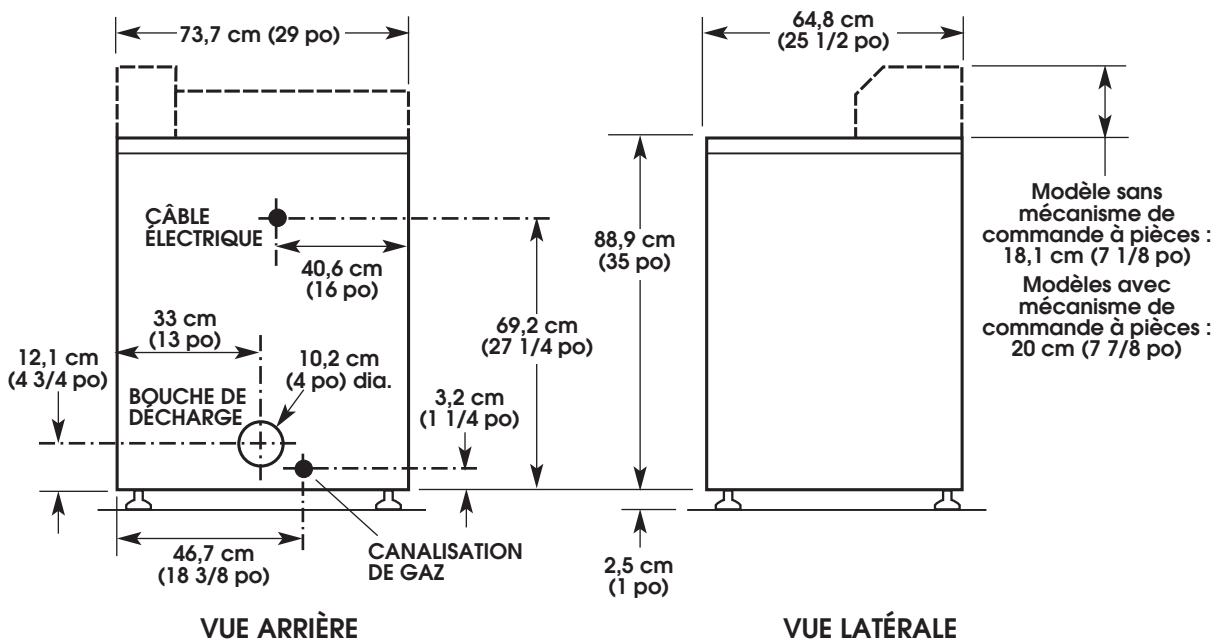
Si vous avez besoin d'aide...

Le Centre d'interaction avec la clientèle Whirlpool répondra à toute question au sujet de l'utilisation ou de l'entretien de la sècheuse qui n'est pas traitée dans les instructions d'installation. Le Centre d'interaction avec la clientèle Whirlpool est accessible 24 heures par jour, 7 jours par semaine. Il suffit de composer le 1-800 NO BELTS (1-800-662-3587). La communication est gratuite.

Lors de l'appel, vous devrez communiquer les numéros de modèle et de série de la sècheuse; les deux numéros sont inscrits sur la plaque signalétique sur l'appareil.

Dimensions du produit

Sécheuse 73,7 cm (29 po)



Sécheuse 68,6 cm (27 po)

