



*Frigidaire*

## Factory Parts Catalog

Product No.	PLMBZ209GCA
Market	North America
Color	stainless steel
Volts	120
Watts	1200
Wiring Diagram	5995500872
Owner's Guide	TINSEB477MRR0

 **Electrolux**

Electrolux Major Appliances  
North & Latin America  
P.O. BOX 212378  
AUGUSTA, GA 30917

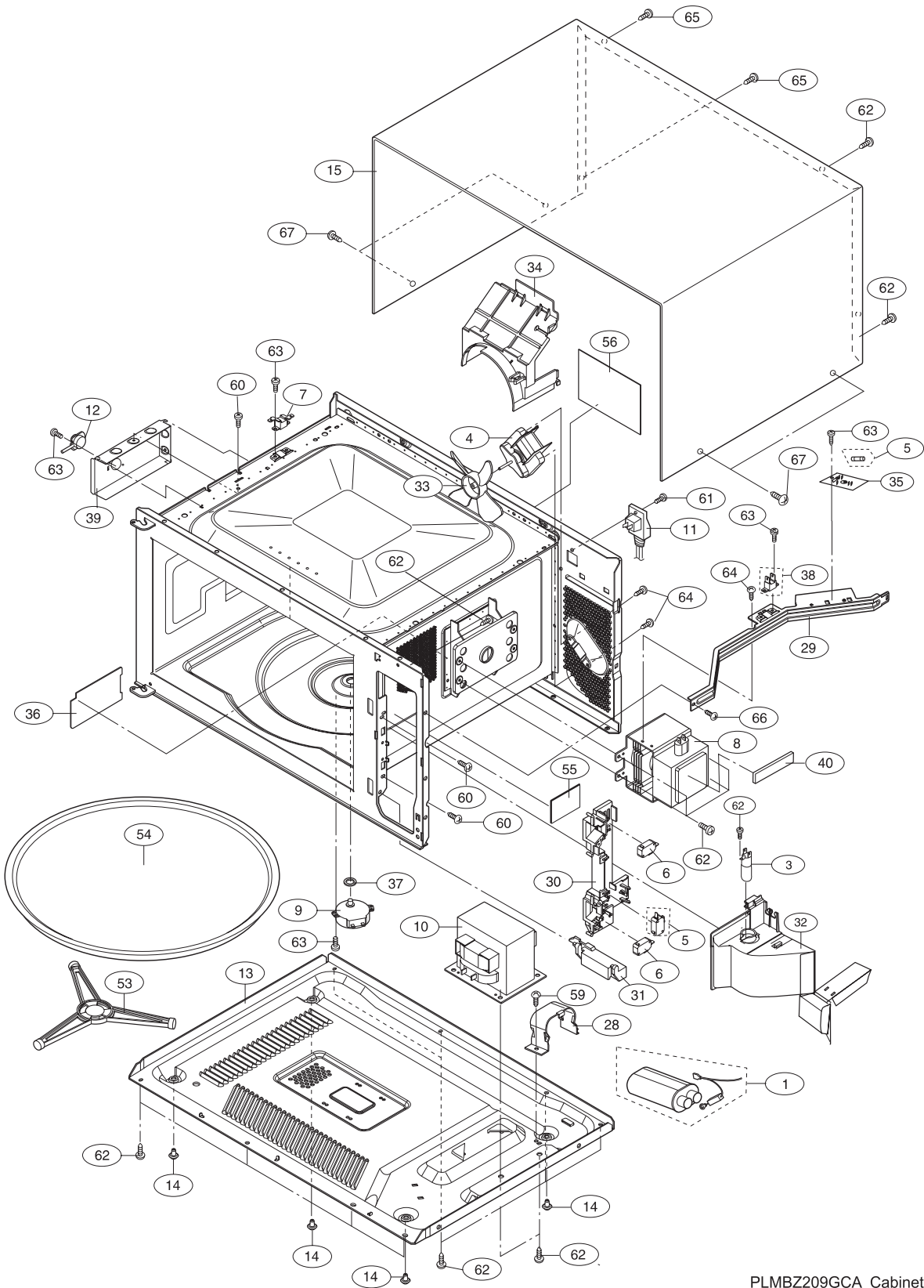
Publication No.  
**5995500872**  
07/09/27  
(EN/SERVICE/KC)  
099

**COUNTER-TOP  
MICROWAVE**

Model No.  
**PLMBZ209G**

Copyright © 2007 Electrolux Home Products, Inc.  
All rights reserved.

OVEN, CABINET



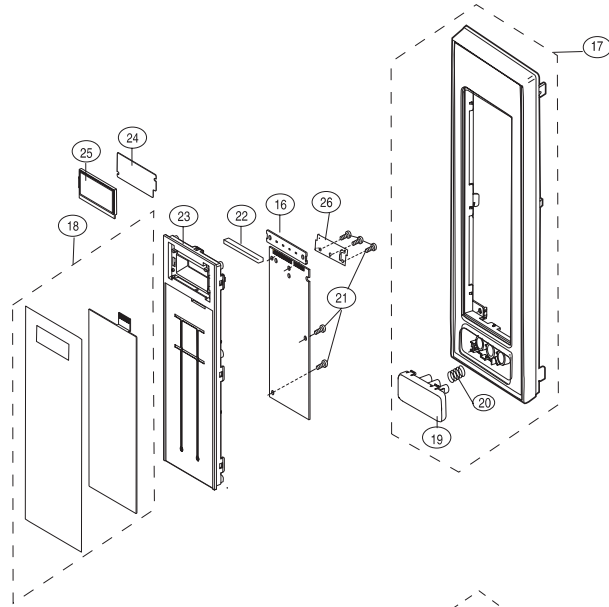
PLMBZ209GCA Cabinet

**OVEN,CABINET**

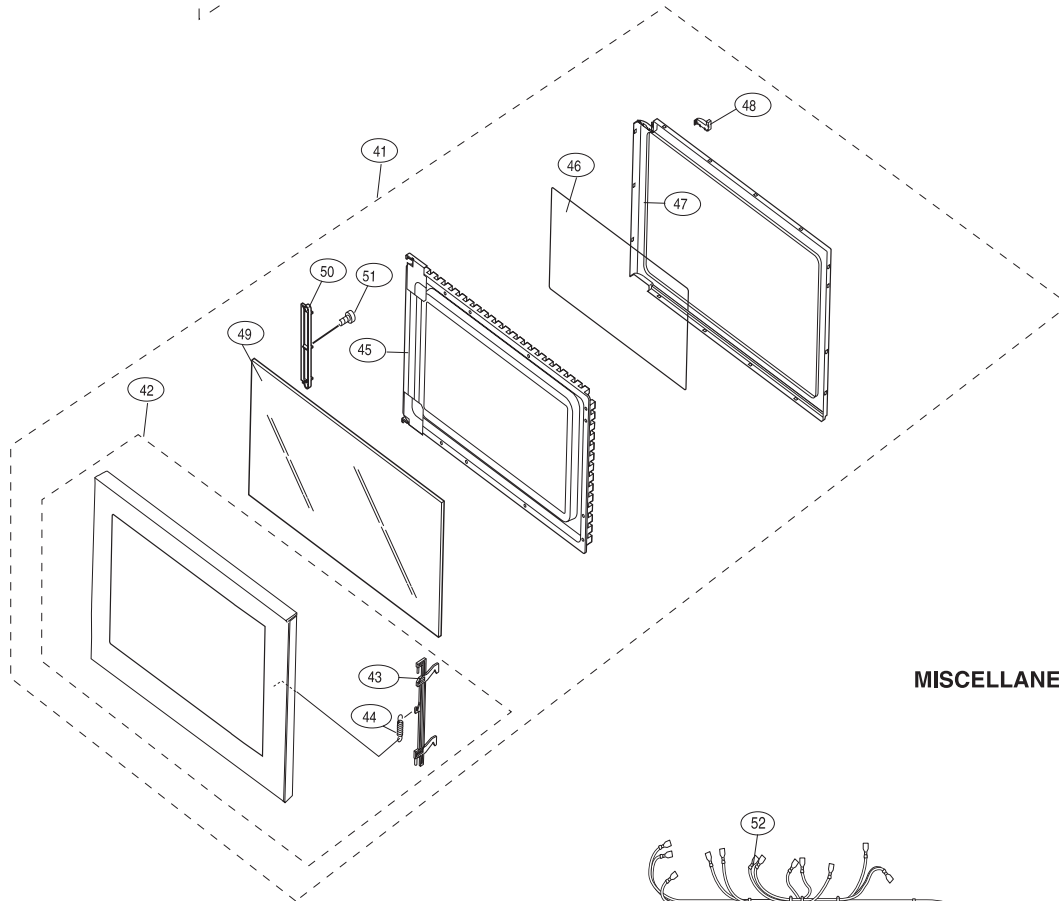
POS. NO	PART NO.	DESCRIPTION
1 #	5304462258	Capacitor Assy, HV, w/rectifier
3 #	5304440779	Lamp Assy, with socket
4 #	5304448490	Motor, cooling fan
5 #	5303319559	Switch, monitor, w/ceramic fuse
6 #	5304440026	Switch, interlock, door sensor
7 #	5304440780	Fuse, cavity temp, 20 Amp, 250 V
8 #	5304440781	Magnetron
9 #	5304448832	Motor, turntable
10 #	5304457167	Transformer, power
11 #	5304440784	Power Cord, electric
12 #	5304440785	Sensor, humidity, cook control
13	5304440814	Base, unit chassis
14	5304440815	Foot, cabinet support
15	5304440816	Cabinet, outer casing, black
28	5304440838	Retainer, capacitor strap
29	5304462313	Bracket, chassis support
30	5304440840	Latch Hook
31	5304440841	Lever, door release
32	5304440842	Duct, magnetron
33 #	5304440843	Fan Blade, cooling fan
34	5304440844	Duct, cooling fan
35 #	5304451818	Filter, noise, electronic
36	5304462314	Cover, waveguide
37	5304440288	Bushing, motor shaft, turntable
38 #	5303319550	Fuse, magnetron
39	5304440847	Duct, AH sensor
40	5304441910	Cushion, magnetron pad
53	5304440284	Support Assy, turntable
54	5304440868	Tray, turntable, glass
55	5304440334	Label, Caution-monitor
56	5304440333	Label, Caution-DHHS
59	5303319636	Screw
60	5303319641	Screw
61	5304462315	Screw, 4 mm x 12 mm, ground
62	5304451553	Screw, outer casing
63	5304453725	Screw, 3mm x 8mm
64	5304450253	Screw, 4 mm x 8 mm
65	5304440873	Screw, torx head, tamper proof
66	5304462316	Screw
67	5304452261	Screw, black, outer casing

**CONTROL PANEL, DOOR, MISC.**

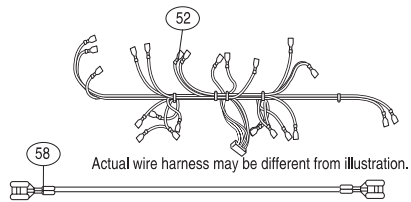
**CONTROL PANEL PARTS**



**DOOR PARTS**



**MISCELLANEOUS**



GLMB209DSC Door

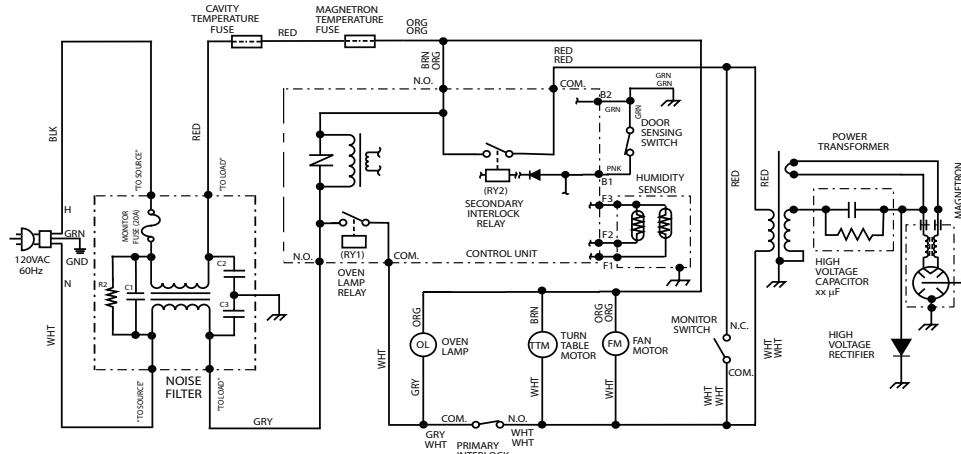
**CONTROL PANEL,DOOR,MISC.**

POS. NO	PART NO.	DESCRIPTION
16 #	5304440820	Control Board, printed circuit
17	5304462914	Frame, control panel, stainless, w/nameplate
18 #	5304440824	Touch Control Assy, black
19	5304462915	Push Button, door, stainless
20	5304440831	Spring, door button
21	5304456930	Screw, 6mm x 8mm
22	5304440832	Connector, rubber, control board
23	5304440833	Panel, touch control
24 #	5304440834	LED Sheet, backlight
25 #	5304440835	LCD, display
26	5304440836	Bracket, PCB support
41	5304464298	Door Assy, complete, stainless
42	5304464299	Panel, outer door, steel, w/latch
43	5304440856	Latch, door
44	5304440316	Spring, door latch
45	5304440857	Panel, inner door, black
46	5304440860	Seal, door, film
47	5304440861	Frame, choke cover, inner door
48	5304442145	Door Stop
49	5304440863	Panel, glass, black, door front
50	5304440862	Door Stop
51	5304452259	Screw
52 #	5304452260	Wiring Harness, main
58 #	5304440870	Wire, high voltage-A

**WIRING SCHEMATIC**

**SCHEMATIC**  
**NOTE: CONDITION OF OVEN**  
 1. Door Closed  
 2. CLOCK APPEARS ON DISPLAY

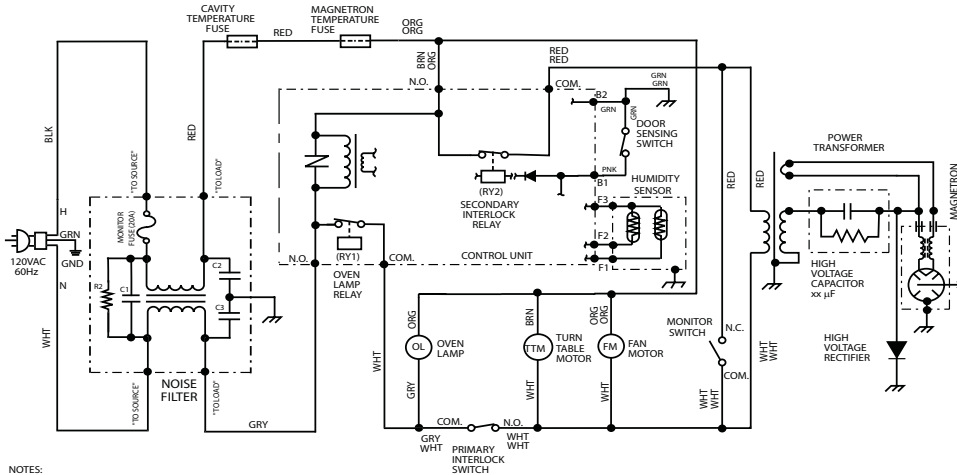
Note:\* Indicates component



- NOTES:  
 1. CIRCUITS SUBJECT TO CHANGE WITHOUT NOTICE.  
 2. TERMINAL WITH PROJECTION OR OPPOSITE BLUE MARK ON LAMP SOCKET MUST BE CONNECTED TO NEUTRAL WIRE.  
 3. ONLY CERTAIN MODELS USE THE ABSOLUTE HUMIDITY SENSOR.  
 4. POWER TRANSFORMER TOP (FINISH LEAD) TERMINAL MUST BE CONNECTED TO THE NEUTRAL (WHT) WIRE.

Figure O-1 Oven Schematic - Off Condition

**SCHEMATIC**  
**NOTE: CONDITION OF OVEN**  
 1. DOOR CLOSED  
 2. COOKING TIME PROGRAMMED  
 3. VARIABLE COOKING CONTROL "HIGH"  
 4. "START" PAD TOUCHED



- NOTES:  
 1. CIRCUITS SUBJECT TO CHANGE WITHOUT NOTICE.  
 2. TERMINAL WITH PROJECTION OR OPPOSITE BLUE MARK ON LAMP SOCKET MUST BE CONNECTED TO NEUTRAL WIRE.  
 3. ONLY CERTAIN MODELS USE THE ABSOLUTE HUMIDITY SENSOR.  
 4. POWER TRANSFORMER TOP (FINISH LEAD) TERMINAL MUST BE CONNECTED TO THE NEUTRAL (WHT) WIRE.

Figure O-2 Oven Schematic - Cooking Condition