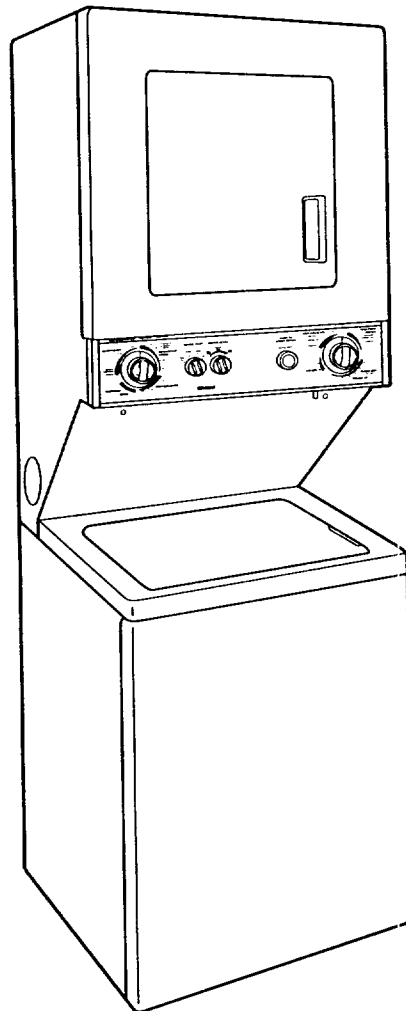


Owner's Manual and Installation Instructions



24-Inch Wide LAUNDRY CENTER Washer • Electric Dryer



IMPORTANT:
Read and follow all safety
and operating instructions
before first use of this product.

Sears, Roebuck and Co., Hoffman Estates, IL 60179 U.S.A.

PART NO. 3405593 PRINTED IN U.S.A.

WARRANTY/SAFETY

INSTALLATION

OPERATION

LAUNDRY TIPS

REMOVING STAINS

WARRANTY/SAFETY
TROUBLESHOOTING

SERVICE

ESPAÑOL

TABLE OF CONTENTS

BEFORE USING YOUR NEW LAUNDRY CENTER	2
SEARS LAUNDRY CENTER WARRANTY	3
IMPORTANT SAFETY INSTRUCTIONS	4
INSTALLATION INSTRUCTIONS	5
OPERATING INSTRUCTIONS – WASHER	40
OPERATING INSTRUCTIONS – DRYER	46
LAUNDRY TIPS	50
REMOVING STAINS	53
CARING FOR YOUR LAUNDRY CENTER	56
TROUBLESHOOTING – WASHER	60
TROUBLESHOOTING – DRYER	64
SEARS MAINTENANCE AGREEMENT	66

BEFORE USING YOUR NEW LAUNDRY CENTER

Please read this manual. It will help you install and operate your new Kenmore Laundry Center in the safest and most economical way.

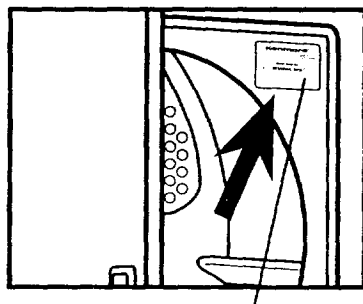
If you need more information about the care and operation of Kenmore appliances call your nearest Sears store. You will need the complete model and serial numbers when requesting information. Your laundry center's model and serial numbers are located on the Model and Serial Number Plate.

Use the space below to record the model number and serial number of your new Kenmore Laundry Center.

Model No. _____

Serial No. _____

Date of Purchase _____



Model and Serial
Number Plate

Keep this book and your Sears Salescheck (receipt) in a safe place for future reference.

SEARS LAUNDRY CENTER WARRANTY

Full One Year Warranty on Mechanical and Electrical Parts

For one year from the date of purchase, if this laundry center is installed and operated according to the instructions in this manual, Sears will repair or replace any of its mechanical or electrical parts if they are defective in material or workmanship.

NOTE: Exhausting your laundry center with a plastic vent may void this warranty. Pages 33-38 of this manual describe the complete exhaust requirements for this laundry center.

Limited Five Year Warranty on Gearcase Parts

After one year and until five years from the date of purchase, Sears will replace any gearcase parts that are defective in material or workmanship. You must pay the labor cost to have them installed.

Limited Ten Year Warranty on Plastic Tub

After one year and until ten years from the date of purchase, Sears will furnish a replacement plastic tub for any plastic tub that is defective in material or workmanship. You must pay the labor cost to have the plastic tub installed.

Warranty Restriction

If the laundry center is operated for any purpose other than Private Family Use, all warranty coverage is effective for only 90 days.

Warranty Service

Warranty service is available by contacting your nearest Sears Service Center in the United States.

This warranty applies only while this laundry center is in use in the United States.

This warranty gives you specific legal rights, and you may also have other rights which vary from state to state.

Sears, Roebuck and Co., Dept. 817WA, Hoffman Estates, IL 60179.

Your safety and the safety of others is very important.

We have provided many important safety messages in this manual and on your appliance. Always read and obey all safety messages.



This is the safety alert symbol. This symbol alerts you to hazards that can kill or hurt you and others. All safety messages will be preceded by the safety alert symbol and the word "DANGER" or "WARNING." These words mean:

⚠ DANGER

You will be killed or seriously injured if you don't follow instructions.

⚠ WARNING

You can be killed or seriously injured if you don't follow instructions.

All safety messages will identify the hazard, tell you how to reduce the chance of injury, and tell you what can happen if the instructions are not followed.

IMPORTANT SAFETY INSTRUCTIONS

YOUR SAFETY IS IMPORTANT TO US

WARNING: To reduce the risk of fire, electric shock, or injury to persons when using your laundry center, follow basic precautions, including the following:

- Read all instructions before using the laundry center.
- Do not wash or dry articles that have been previously cleaned in, washed in, soaked in, or spotted with gasoline, dry-cleaning solvents, or other flammable or explosive substances as they give off vapors that could ignite or explode.
- Do not add gasoline, dry-cleaning solvents, or other flammable or explosive substances to the wash water. These substances give off vapors that could ignite or explode.
- Under certain conditions, hydrogen gas may be produced in a hot water system that has not been used for more than 2 weeks. **HYDROGEN GAS IS EXPLOSIVE.** If the hot water system has not been used for more than 2 weeks, turn on all hot water faucets and let the water flow from each for several minutes before using the washing machine. This will release any accumulated hydrogen gas. Because the gas is flammable, do not smoke or use an open flame during this time.
- Do not allow children to play on or in the laundry center. Close supervision of children is necessary when the laundry center is used near children.
- Before the laundry center is removed from service or discarded, remove the washer lid and dryer door.
- Do not reach into the washer if the tub or agitator is moving.
- Do not reach into the dryer if the drum is moving.
- Do not install or store this laundry center where it will be exposed to the weather.
- Do not tamper with controls.
- Do not repair or replace any part of the laundry center or attempt any servicing unless specifically recommended in the Owner's Manual or in published user-repair instructions that you understand and have the skills to carry out.
- Do not use fabric softeners or products to eliminate static unless recommended by the manufacturer of the fabric softener or product.
- Do not use heat to dry articles containing foam rubber or similarly textured rubber-like materials.
- Clean lint screen before or after each load.
- Keep area around the exhaust opening and adjacent surrounding areas free from the accumulation of lint, dust, and dirt.
- The interior of the machine and exhaust vent should be cleaned periodically by qualified service personnel.

SAVE THESE INSTRUCTIONS

IMPORTANT: Observe all governing codes and ordinances.

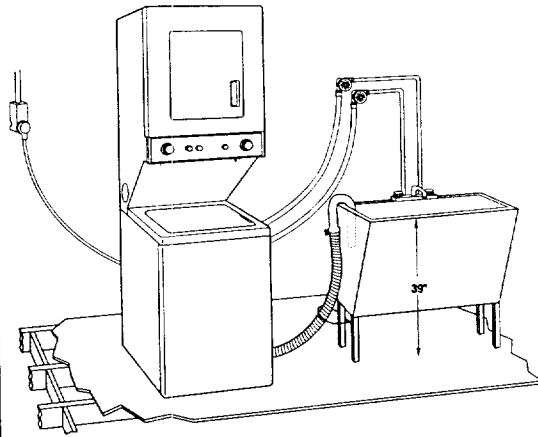
INSTALLATION INSTRUCTIONS

INSTALLATION OVERVIEW

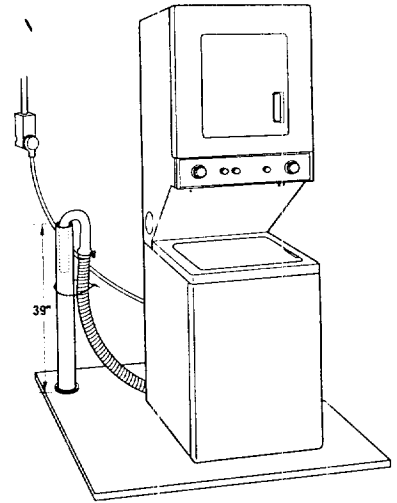
For a complete list of tools and parts needed, see pages 5-10.

A. SELECT LOCATION FOR YOUR LAUNDRY CENTER (pgs. 11-16)

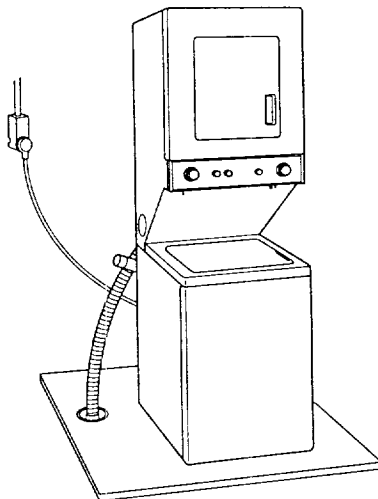
Laundry Tub Drain System (p. 12)



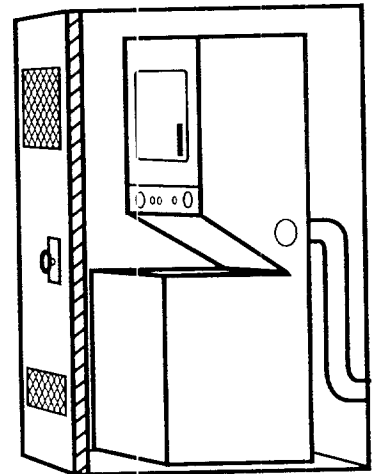
Standpipe Drain System (p. 13)



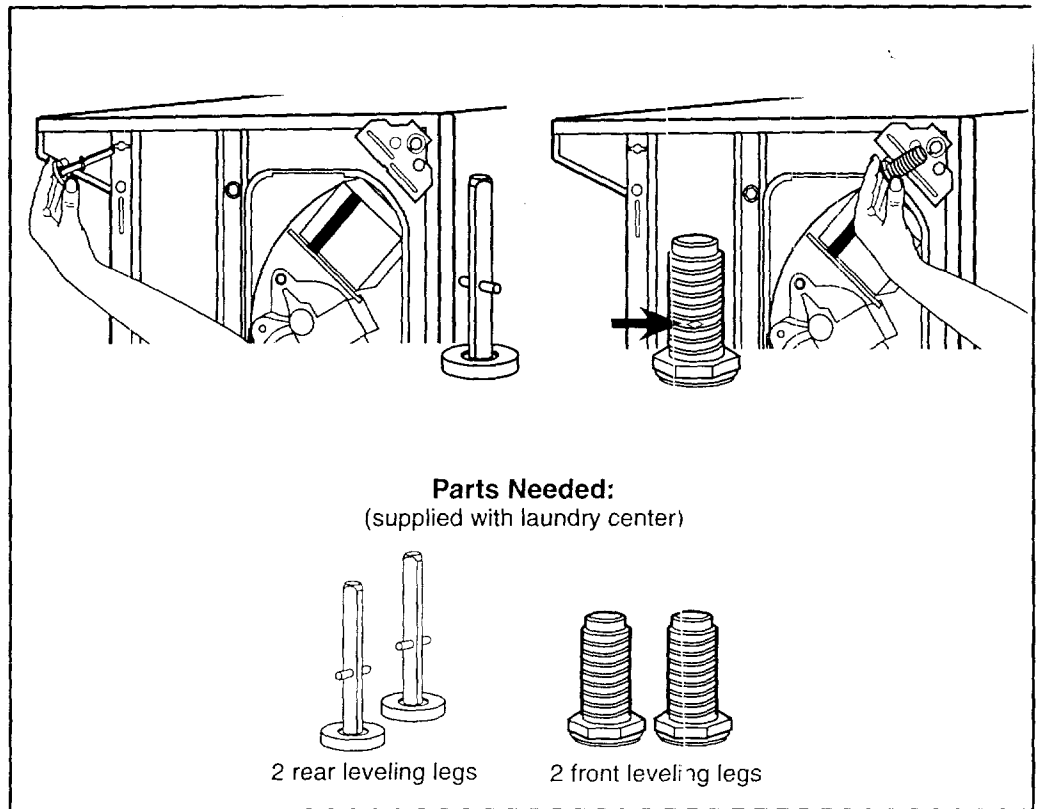
Floor Drain System (p. 13)



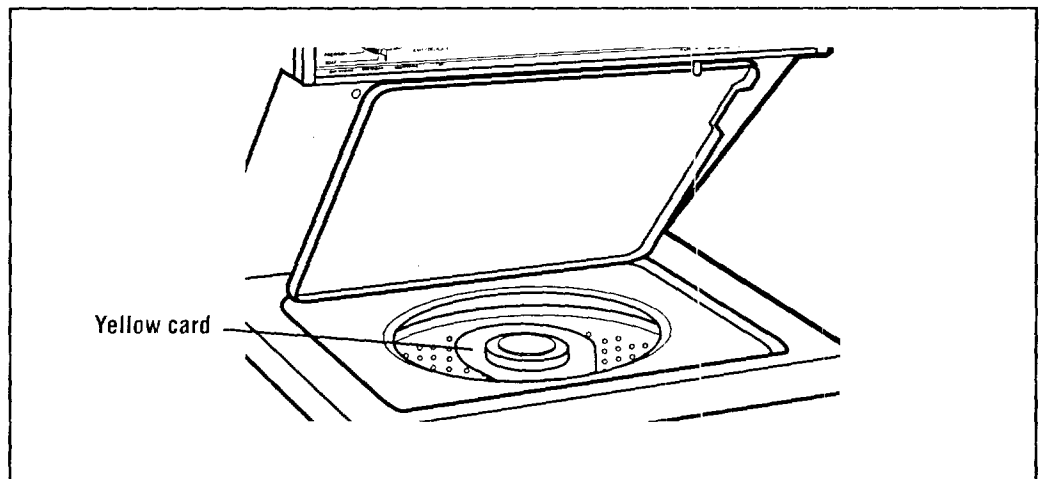
Recessed Area/Closet Installation Instructions (pgs. 14-15)



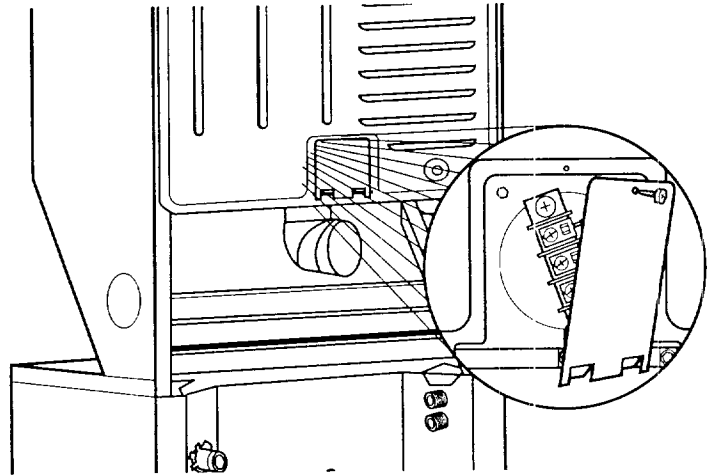
B. INSTALL LEVELING LEGS (p. 17)



C. REMOVE STYROFOAM PACKING (p. 17)

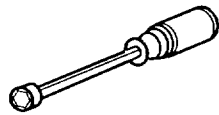


D. MAKE ELECTRICAL CONNECTION (pgs. 18-28)

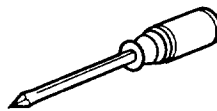


If using a power cord:

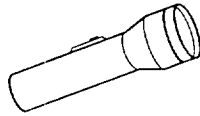
Tools Needed:



1/4-inch nut driver (shown) or socket wrench

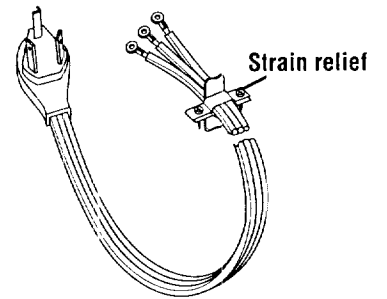


#2 Phillips head screwdriver



Flashlight (optional depending on installation)

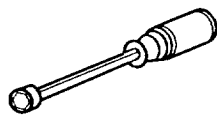
Parts Needed:



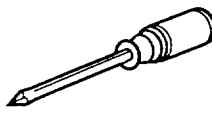
New 3- or 4-wire, 30-amp. U.L.-listed power supply cord kit (includes strain relief)

If making a direct wire connection:

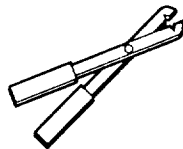
Tools Needed:



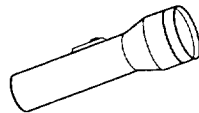
1/4-inch nut driver (shown) or socket wrench



#2 Phillips head screwdriver

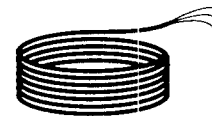


Wire stripper

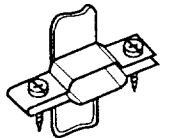


Flashlight (optional depending on installation)

Parts Needed:

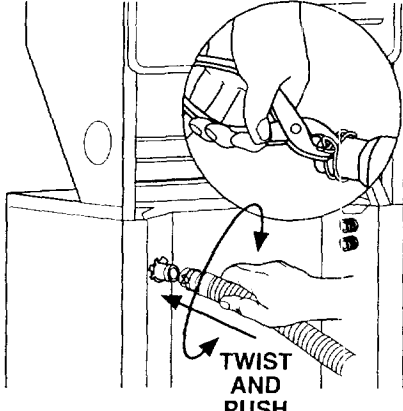


10-gauge, 3- or 4-wire, flexible armored or non-metallic sheathed copper cable (with grounding wire)

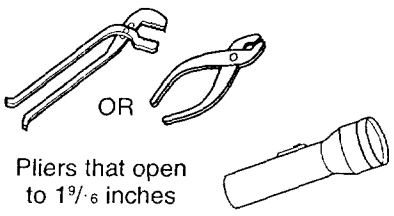


3/4-inch, U.L.-listed, strain relief

E. CONNECT DRAIN HOSE (pgs. 29-30)



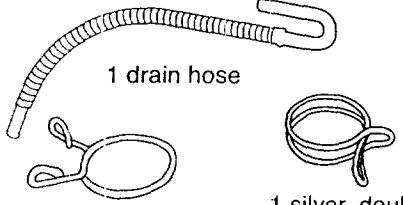
Tools Needed:



Pliers that open to 1⁹/₁₆ inches

Flashlight (optional depending on installation)

Parts Needed:
(supplied with laundry center)

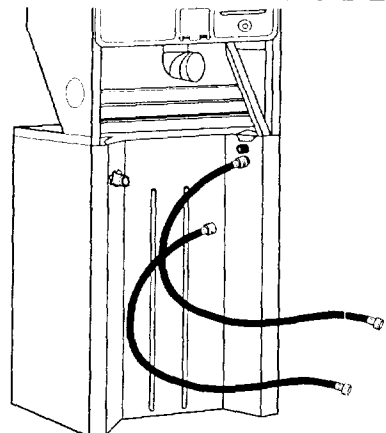


1 drain hose

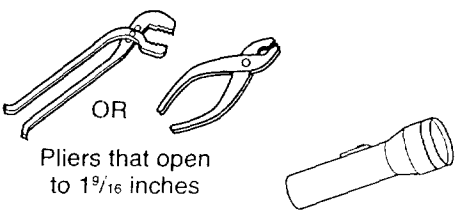
1 yellow, single-wire hose clamp (top of drain hose)

1 silver, double-wire hose clamp (bottom of drain hose)

F. CONNECT INLET HOSES TO LAUNDRY CENTER (pgs. 30-31)



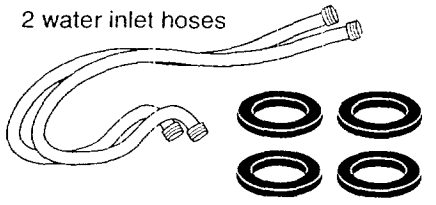
Tools Needed:



Pliers that open to 1⁹/₁₆ inches

Flashlight (optional depending on installation)

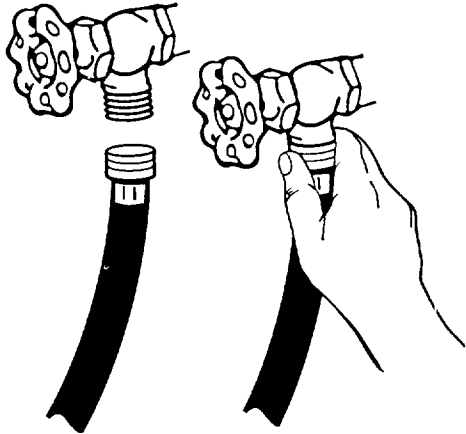
Parts Needed:
(supplied with laundry center)



2 water inlet hoses

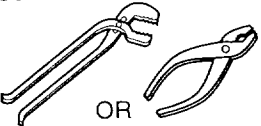
4 flat water inlet hose washers

G. CONNECT INLET HOSES TO WATER FAUCETS (p. 31)



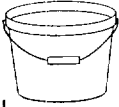
Tools Needed:

Pliers that open to 1⁹/₁₆ inches

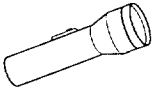


OR

Bucket (optional depending on installation)

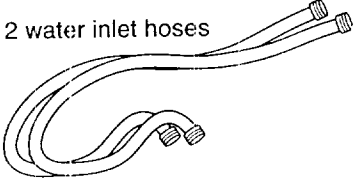


Flashlight (optional depending on installation)

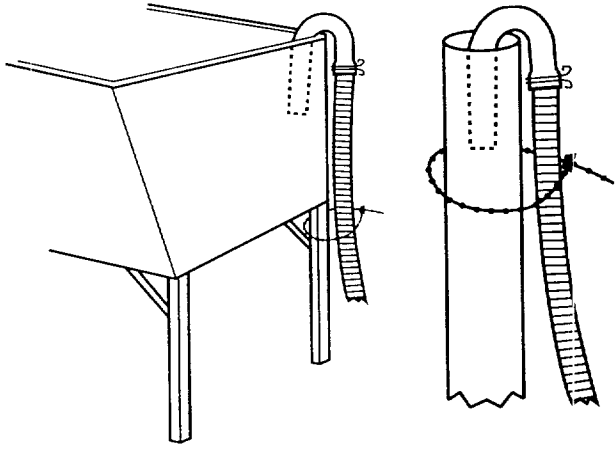


Parts Needed:
(supplied with laundry center)

2 water inlet hoses

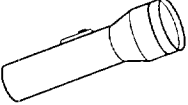


H. SECURE DRAIN HOSE (p. 32)




Tools Needed:

Flashlight (optional depending on installation)

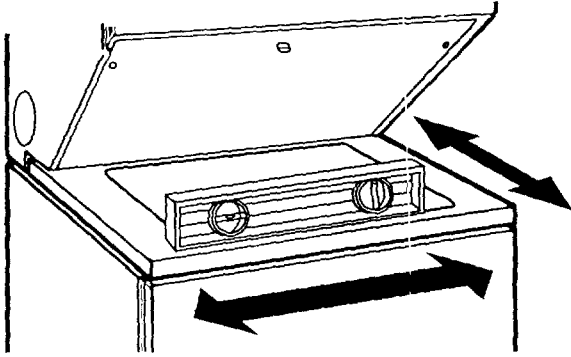


Parts Needed:
(supplied with laundry center)


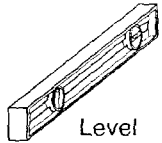

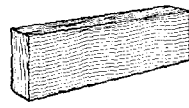
Plastic strap



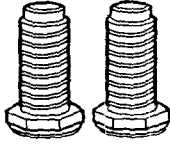
I. LEVEL LAUNDRY CENTER (p. 33)



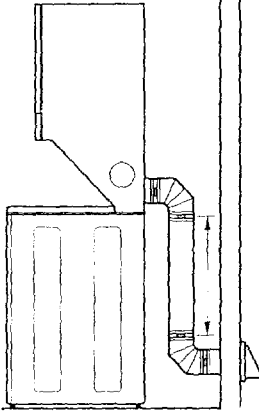
Tools Needed:

-  9/16-inch open-end wrench
-  Level
-  Flashlight (optional depending on installation)
-  Wood block

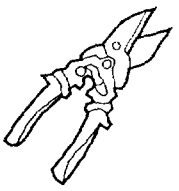
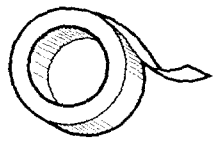

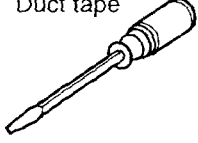
Parts Needed:
(supplied with laundry center)

-  2 front leveling legs with nuts

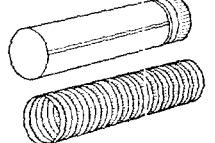
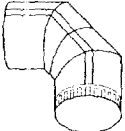
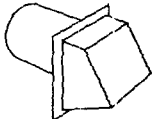

J. CONNECT EXHAUST (pgs. 33-38)



Tools Needed:

-  Tin snips
-  Duct tape
-  Flashlight (optional depending on installation)
-  Flat-bladed screwdriver

Parts Needed:

-  4-inch rigid or flexible heavy metal vent
-  4-inch metal elbow(s) (optional depending on installation)
-  4-inch outlet exhaust hood
-  (4) 4-inch diameter clamps

A. SELECT LOCATION FOR YOUR LAUNDRY CENTER

for your **Benefit**

Selecting the proper location for your laundry center will improve its performance, make installation easier and minimize concerns like washer walk or noise.

Check location where laundry center will be installed. Proper installation is your responsibility. Make sure you have everything necessary for correct installation (see pages 12-13).

This laundry center can be installed using one of three systems:

- Laundry tub drain system (p. 12)
- Standpipe drain system (p. 13)
- Floor drain system (p. 13)

The laundry center must not be installed where it can be exposed to water and/or weather.

- Proper operation of washer cycles requires temperatures above 32°F (at lower temperatures, some water may remain in washer). See page 59 for Winterizing Information.

WARNING



Explosion Hazard

Keep flammable materials and vapors, such as gasoline, away from dryer. Failure to do so can result in death, explosion, or fire.

- Proper operation of dryer cycles requires temperatures above 45°F (at lower temperatures, the dryer may not shut off at the end of automatic cycles and drying times will be extended).
- Check code requirements. Some codes limit or do not permit installation of laundry centers in garages, closets, mobile homes or sleeping quarters. Contact your local building inspector.

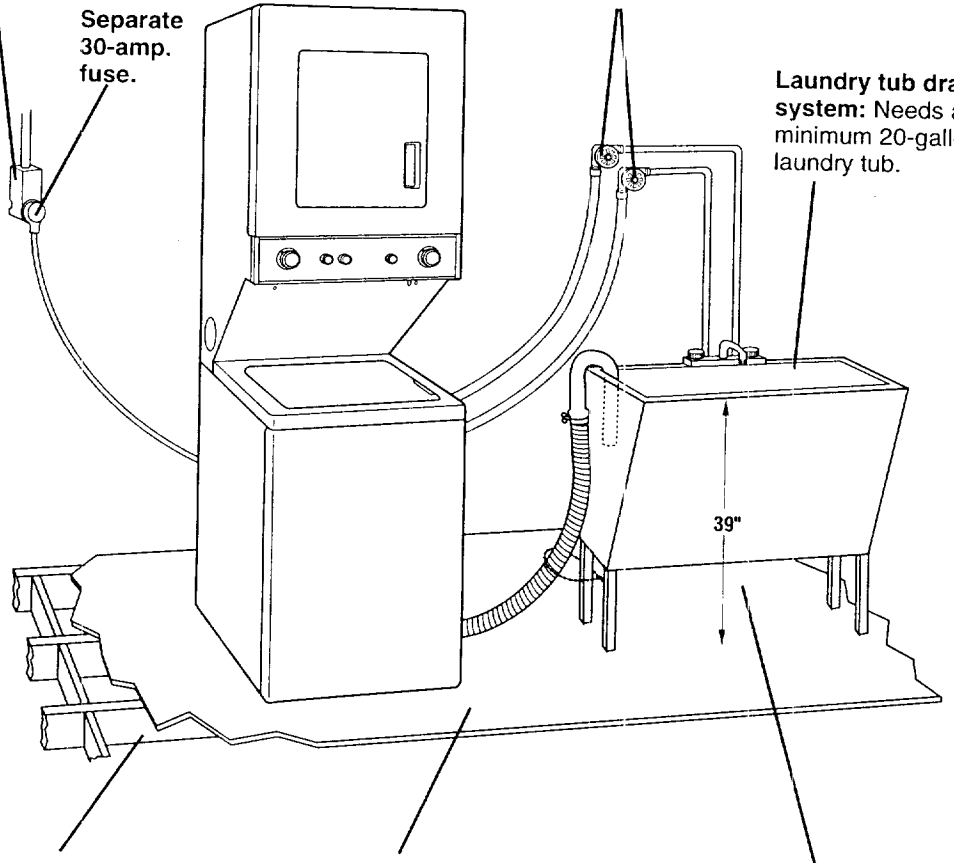
LAUNDRY TUB DRAIN SYSTEM

Grounded receptacle:
Within 3½ feet of either side of laundry center.

Separate 30-amp. fuse.

Hot and cold water faucets: Must provide water pressure between 5-100 psi and be within 4 feet of the hot and cold water fill valves attached to the back of the laundry center.

Laundry tub drain system: Needs a minimum 20-gallon laundry tub.

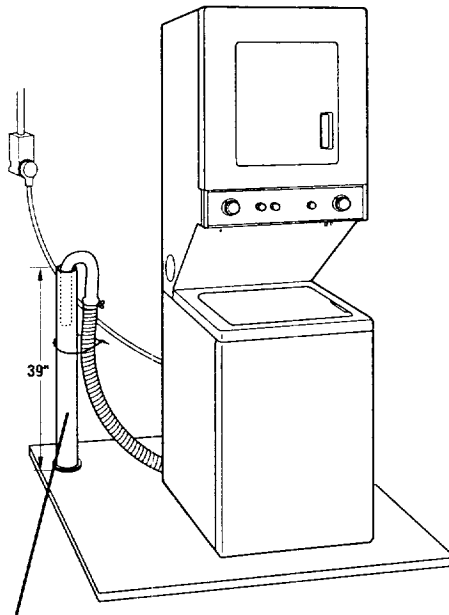


Support: Floor must be sturdy enough to support a total weight of 500 pounds (includes laundry center and load weight).

Level floor: Maximum allowable slope under entire laundry center – 1 inch.

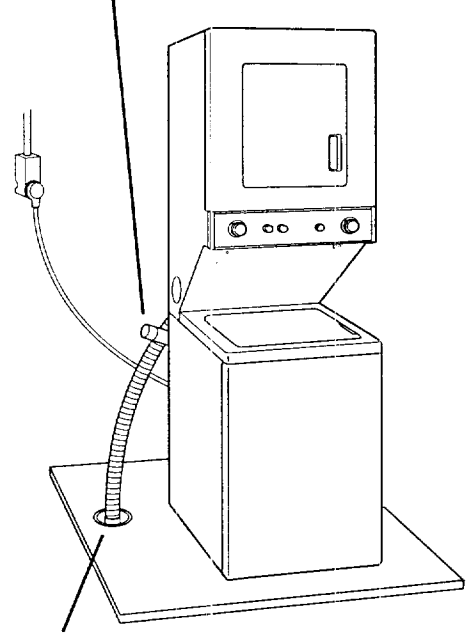
Top of tub must be at least 39-inches above floor and no higher than 96 inches from bottom of laundry center.

ALTERNATE LOCATIONS – STANDPIPE AND FLOOR DRAIN SYSTEMS



Standpipe drain system: Needs a two-inch minimum diameter standpipe with minimum carry-away capacity of 17 gallons per minute. Top of standpipe must be at least 39 inches above floor and no higher than 96 inches from bottom of laundry center.

Siphon break: Must be purchased separately. See chart below.



Floor drain system: Requires a siphon break, see chart below. A minimum carry-away capacity of 17 gallons per minute is required.

If you have:	You may need to buy:
Laundry tub or standpipe taller than 96 inches	Sump pump system (if not already available)
1-inch diameter standpipe	2-inch diameter to 1-inch diameter standpipe adapter, Part No. 3363920
Overhead sewer	Standard 20 gallon, 39-inch tall drain tub or utility sink and sump pump (available from local plumbing suppliers)
Floor drain	Siphon break, Part No. 285320; additional drain hose, Part No. 3357090; and connector kit, Part No. 285442

Parts listed are available from your local Sears store or Sears Service Center.
Call 1-800-366-PART (1-800-366-7278).

RECESSED AREA/CLOSET INSTALLATION INSTRUCTIONS

Check governing codes and ordinances.

This laundry center may be installed in a recessed area or closet.

The laundry center must not be installed where it can be exposed to water and/or weather.

- Proper operation of washer cycles requires temperatures above 32°F (at lower temperatures, some water may remain in washer). See page 59 for Winterizing Information.
- Proper operation of dryer cycles requires temperatures above 45°F (at lower temperatures, the dryer may not shut off at the end of automatic cycles and drying times will be extended).
- Check code requirements. Some codes limit or do not permit installation of laundry centers in garages, closets, mobile homes or sleeping quarters. Contact your local building inspector.

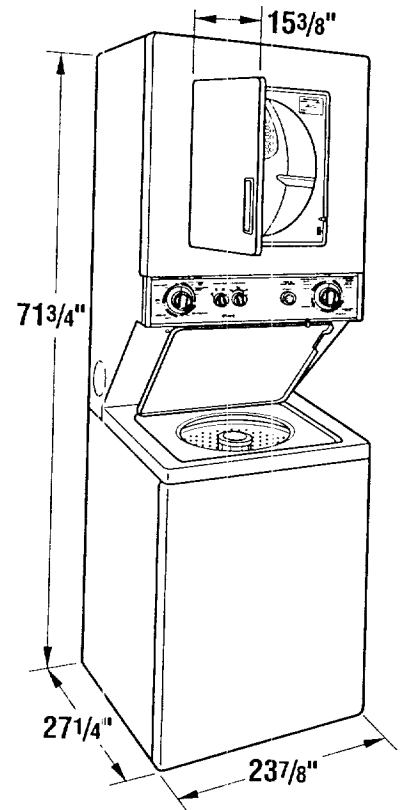
WARNING: To reduce the risk of fire, this appliance must be exhausted outdoors.

NOTE: No fuel burning appliances may be installed in the same closet as your laundry center.

LAUNDRY CENTER DIMENSIONS

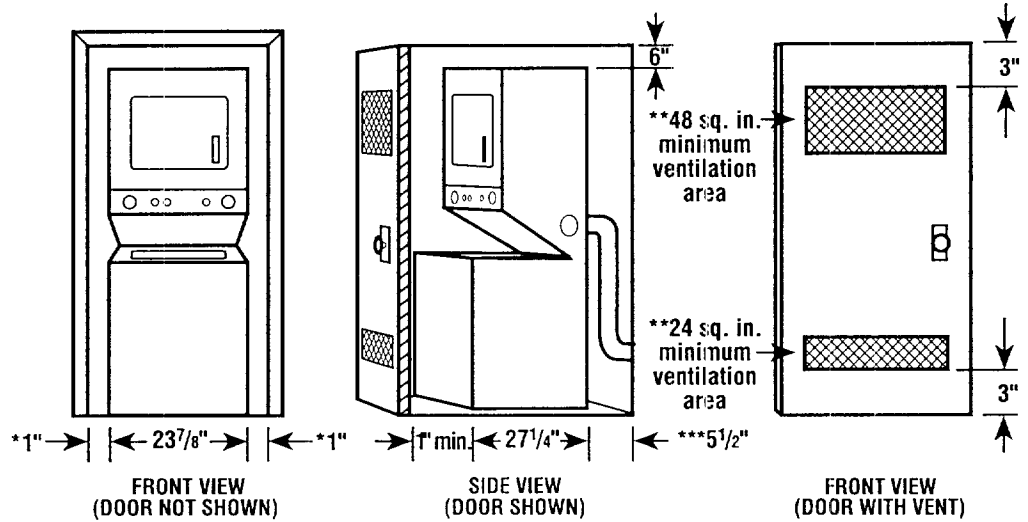
Most installations will require at least 5-inch clearance behind the dryer for the dryer vent.

Location must be large enough to fully open dryer door.



MINIMUM INSTALLATION SPACING

- The installation spacing (shown below) is in inches and is the minimum allowable.
- Additional spacing should be considered for ease of installation and servicing.
- If closet door is installed, the minimum air openings in top and bottom are required. Louvered doors with equivalent air openings in top and bottom are acceptable.
- Recessed area and closet installations require a 6-inch minimum clearance above the laundry center.
- All installations must be exhausted outside. Use at least the minimum dimensions indicated.



- * Additional clearances for wall, door and floor moldings may be required.
- ** Opening is minimum for closet door. Louvered door with equivalent air openings is acceptable.
- *** Additional space is needed when external exhaust elbow is used. Can be 0 " clearance when house exhausting is lined up directly with dryer exhaust.

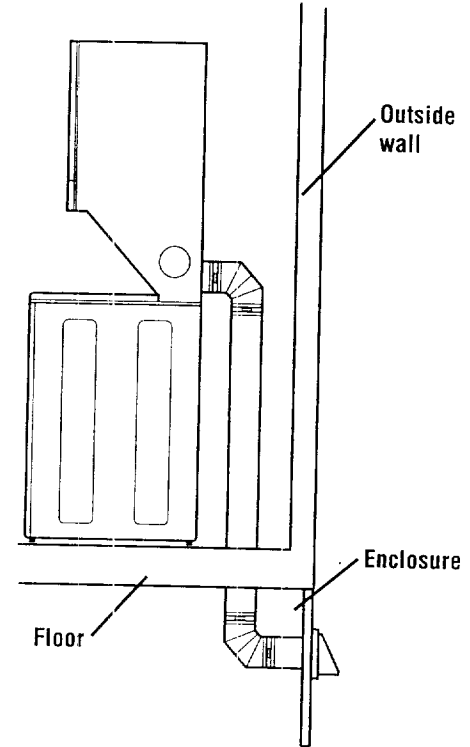
MOBILE HOME REQUIREMENTS

The laundry center must not be installed where it can be exposed to water and/or weather.

- Proper operation of washer cycles requires temperatures above 32°F (at lower temperatures, some water may remain in washer). See page 59 for Winterizing Information.
- Proper operation of dryer cycles requires temperatures above 45°F (at lower temperatures, the dryer may not shut off at the end of automatic cycles and drying times will be extended).
- Use at least the minimum installation spacings described on page 15.

This laundry center is suitable for mobile home installations. The installation must conform to the Manufactured Home Construction and Safety Standard, Title 24 CFR, Part 3280 (formerly the Federal Standard for Mobile Homes Construction and Safety, Title 24, HUD Part 280).

- Laundry center exhaust vent must not be connected with screws or other devices which extend into the interior of the vent.
- Laundry center must be exhausted outdoors. The exhaust vent must be securely fastened to a noncombustible portion of the mobile home structure and must not terminate beneath the mobile home.

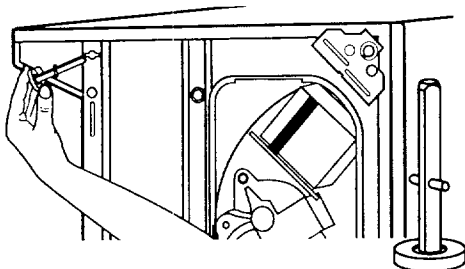


B. INSTALL LEVELING LEGS

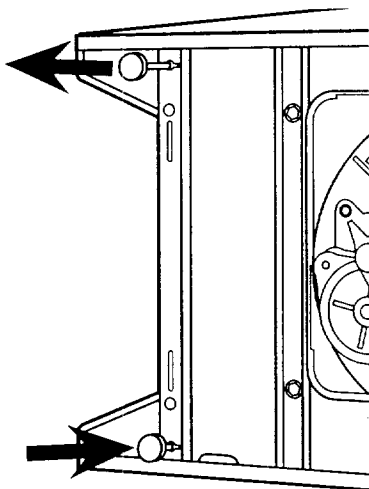
To install rear legs:

STEP 1. If you have not already done so, lay the laundry center on its side. Because of the weight of the laundry center, two people should lay it down.

STEP 2. Push legs into holes in rear corners until they snap into place.

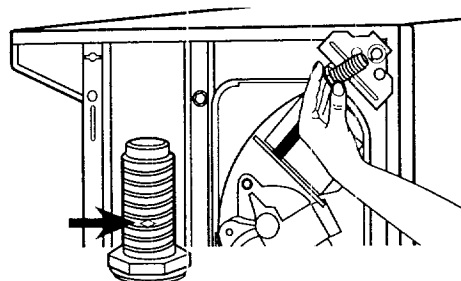


STEP 3. Check adjustability of rear legs, by pushing in one leg. The other leg should come out. Check both legs. If they do not adjust, repeat STEP 2.



To install front legs:

STEP 1. Screw front legs into the holes in the triangular braces in front corners. Screw them in with an adjustable wrench to the diamond marks on the ridges.



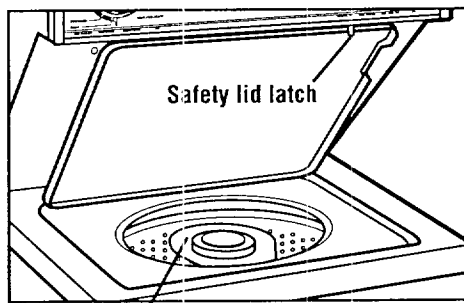
STEP 2. Carefully stand the laundry center upright. Because of the weight of the laundry center, two people should lift it.

C. REMOVE STYROFOAM PACKING

To prevent floor damage, set laundry center onto cardboard before moving across floor.

Move laundry center close to its final location.

STEP 1. Open the washer lid. The latch under the dryer will keep the lid open. Read, then remove the yellow card on the agitator.



Yellow card

STEP 2. Pull the styrofoam packing out of the washer.

D. MAKE ELECTRICAL CONNECTION

It is your responsibility:

- To contact a qualified electrical installer.
- To assure that the electrical installation is adequate and in conformance with the National Electrical Code, ANSI/NFPA 70-latest edition and all local codes and ordinances.

Copies of the code standards listed above may be obtained from:

**National Fire Protection Association
Batterymarch Park
Quincy, Massachusetts 02269**

ELECTRICAL REQUIREMENTS

for your Benefit

The proper electrical connection ensures a safe installation that meets local code requirements.

A three-wire or four-wire, single phase 120/240-volt, 60-Hz., AC-only, electrical supply (or three-wire or four-wire, 120/208-volt if specified on serial/rating plate) is required on a separate 30-ampere circuit, fused on both sides of the line. A time-delay fuse or circuit breaker is recommended.

This laundry center is manufactured with the 3-wire, frame-grounding conductor connected to the NEUTRAL (center) of the wiring harness of the terminal block. Do not have a fuse in the neutral or grounding circuit. A fuse in the neutral or grounding circuit could result in an electrical shock.

Use a 4-conductor cord when the laundry center is installed in a mobile home or an area where local codes do not permit grounding through the neutral.

ELECTRICAL CONNECTION OPTIONS

If Your Home Has:

And You Will Be Connecting To:

Go To Page

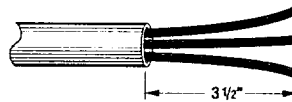
3-wire electrical receptacle (NEMA Type 10-30R)



A U.L.-listed, 120/240-volt minimum, 30-amp., dryer power supply cord.*

19 – I.

3-wire direct



A fused disconnect or circuit breaker box.*

21 – II.

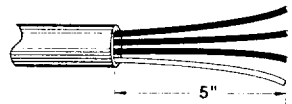
4-wire electrical receptacle (NEMA Type 14-30R)



A U.L.-listed, 120/240-volt minimum, 30-amp., dryer power supply cord.

24 – III.

4-wire direct



A fused disconnect or circuit breaker box.


27 – IV.

*If local codes do not permit the connection of a frame-grounding conductor to the neutral wire, see the instructions on page 23.

I. THREE-WIRE ELECTRICAL CONNECTION TO RECEPTACLE

Use a 3-wire power supply cord:

! WARNING



Fire Hazard

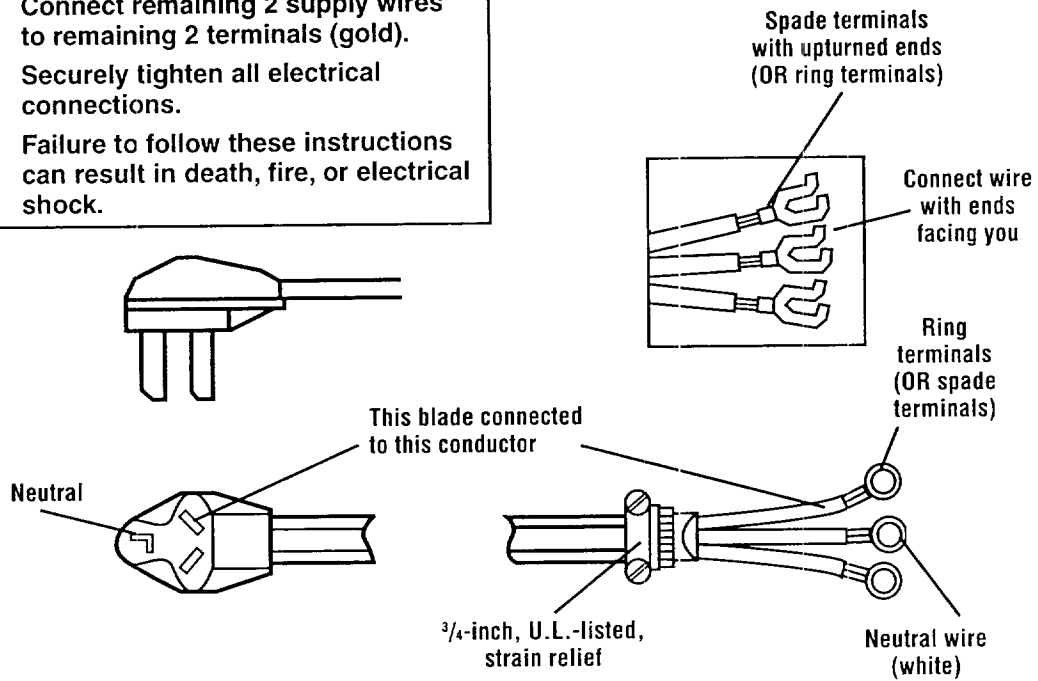
Use a new UL approved 30 ampere power supply cord.
Use a UL approved strain relief.
Disconnect power before making electrical connections.
Connect neutral wire (white or center wire) to center terminal (silver).
Ground wire (green or bare wire) must be connected to green ground connector.
Connect remaining 2 supply wires to remaining 2 terminals (gold).
Securely tighten all electrical connections.
Failure to follow these instructions can result in death, fire, or electrical shock.

Local codes may permit the use of a U.L.-listed, 120/240-volt minimum, 30-ampere, dryer power supply cord kit (pigtail). Power supply cord should be type SRD or SRDT and be at least four feet long. The wires that connect to the laundry center must end with ring terminals or spade terminals with upturned ends.

Do not use an extension cord with this laundry center.

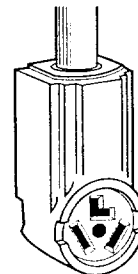
Do not connect plug end of power supply cord into a live receptacle before connecting power supply cord to laundry center terminal block.

The power supply cord must have three, No.-10 copper wires to match a three-wire receptacle of NEMA Type 10-30R.



Three-Wire Power Supply Cord

Three-wire receptacle (NEMA Type 10-30R)



GROUNDING INSTRUCTIONS

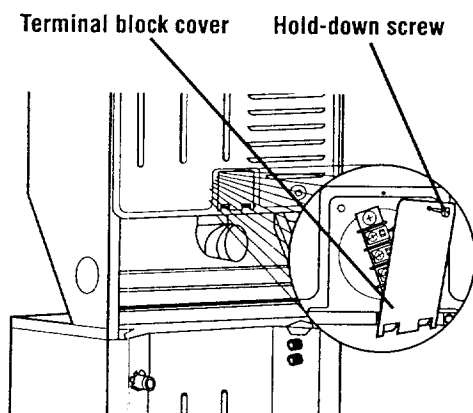
This appliance must be grounded. In the event of malfunction or breakdown, grounding will reduce the risk of electric shock by providing a path of least resistance for electric current. The power supply cord must be plugged into an appropriate outlet that is properly installed and grounded in accordance with all local codes and ordinances.

WARNING: Improper connection of the equipment-grounding conductor can result in a risk of electric shock. Check with a qualified electrician or serviceman if you are in doubt as to whether the appliance is properly grounded.

Do not modify the plug on the power supply cord. If it will not fit the outlet, have a proper outlet installed by a qualified electrician.

STEP 1. Disconnect power.

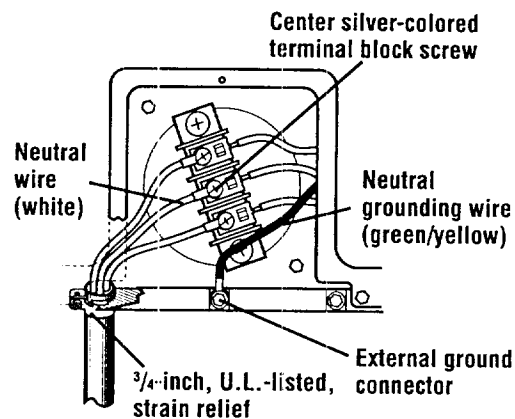
STEP 2. Remove hold-down screw and terminal block cover.



STEP 3. Attach a 3/4-inch, U.L.-listed, strain relief to the hole below terminal block opening. Strain relief should have a tight fit with laundry center cabinet and be in a horizontal position. Put the power supply cord through the strain relief.

STEP 4. Loosen or remove terminal block screws. Connect the neutral wire (white or center) of power supply cord under the center screw of the terminal block.

STEP 5. Connect the other two wires to outer terminal block screws. Securely tighten all electrical connections.



3-Wire Connection with Frame-Grounding Conductor

STEP 6. Tighten the strain relief screws.



STEP 7. Insert tab of terminal block cover into slot of the laundry center rear panel. Secure cover with hold-down screw.

If local codes do not permit the connection of a frame-grounding conductor to the neutral wire, see the instructions on page 23.

Otherwise, proceed with Installation on page 29.

II. THREE-WIRE ELECTRICAL CONNECTION (DIRECT WIRE)

Prepare cable as directed:

 WARNING

Fire Hazard
<p>Use 10 gauge solid copper wire. Use UL approved strain relief. Disconnect power before making electrical connections. Connect neutral wire (white or center wire) to center terminal (silver). Ground wire (green or bare wire) must be connected to green ground connector. Connect remaining 2 supply wires to remaining 2 terminals (gold). Securely tighten all electrical connections. Failure to follow these instructions can result in death, fire, or electrical shock.</p>

The laundry center can be connected directly to fused disconnect or circuit breaker box with three-wire, flexible armored or nonmetallic sheathed copper cable (with grounding wire). All current-carrying wires must be insulated.

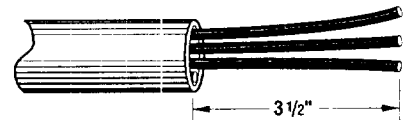
A conduit connector must be installed at junction box. Allow four feet of slack in the line so laundry center can be moved if servicing is ever necessary.

GROUNDING INSTRUCTIONS

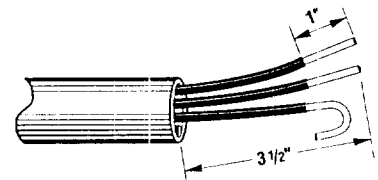
This appliance must be connected to a grounded metal, permanent wiring system; or an equipment-grounding conductor must be run with the circuit conductors and connected to the equipment-grounding terminal or lead on the appliance.

STEP 1. Disconnect power.

STEP 1a. Strip 3 1/2 inches of outer covering from end of cable. If using 3-wire cable with grounding wire, cut the bare wire even with outer covering.

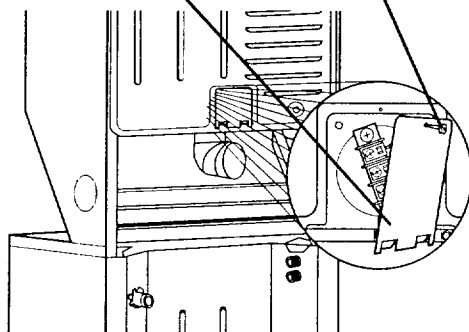


STEP 1b. Cut 1 inch of insulation from the end of each insulated wire. Shape the end of each wire into a "U" shaped hook.

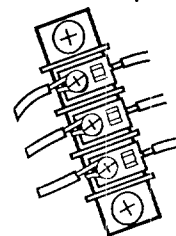


STEP 2. Remove hold-down screw and terminal block cover.

Terminal block cover Hold-down screw



STEP 4a. Place the hook-shaped end of the wire over the terminal block screw. The open side of the hook should face to the right. Squeeze hook end of wire together to form a loop.



STEP 3. Attach a 3/4-inch, U.L.-listed, strain relief to the hole below terminal block opening. Strain relief should have a tight fit with laundry center cabinet and be in a horizontal position. Put the direct wire cable through the strain relief.

STEP 4. Loosen or remove terminal block screws. Connect the neutral wire (white or center) of direct wire cable under the center screw of the terminal block.

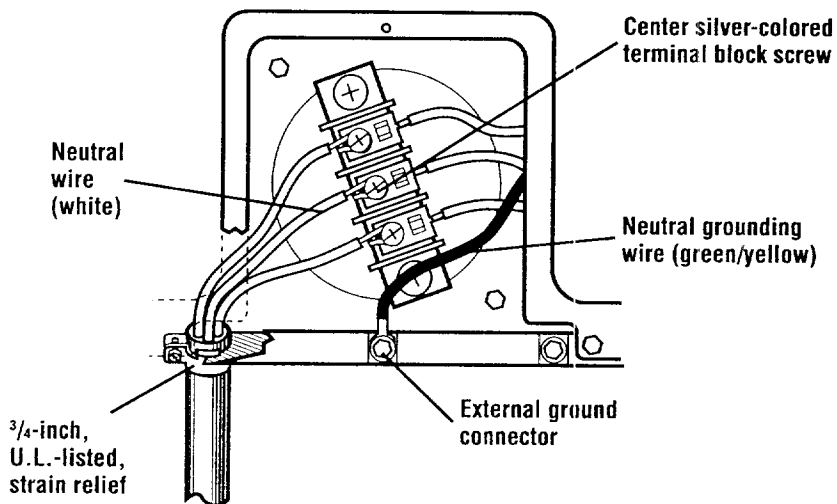
STEP 5. Connect the other two wires to outer terminal block screws using the same method(s) described in STEP 4a. Securely tighten all electrical connections.

STEP 6. Tighten the strain relief screws.

STEP 7. Insert tab of terminal block cover into slot of the laundry center rear panel. Secure cover with hold-down screw.

If local codes do not permit the connection of a frame-grounding conductor to the neutral wire, see the instructions on page 23.

Otherwise, proceed with Installation on page 29.



3-Wire Connection with Direct Wire and Frame-Grounding Conductor

**ALTERNATE CONNECTION:
If local codes do not permit the
connection of a frame-grounding
conductor to the neutral wire:**

STEP 1. Disconnect power.

STEP 2. Make sure the power supply cord or direct wire cable is in place (see steps 1-3 on page 20 for power cord connections or steps 1-3 on pages 21-22 for direct wire connection).

STEP 3. Remove the neutral grounding wire (green/yellow wire) from external grounding connector screw. Loosen or remove terminal block screws. Connect neutral grounding wire and the neutral wire (white or center) of power supply cord or direct wire cable under the center screw of the terminal block.

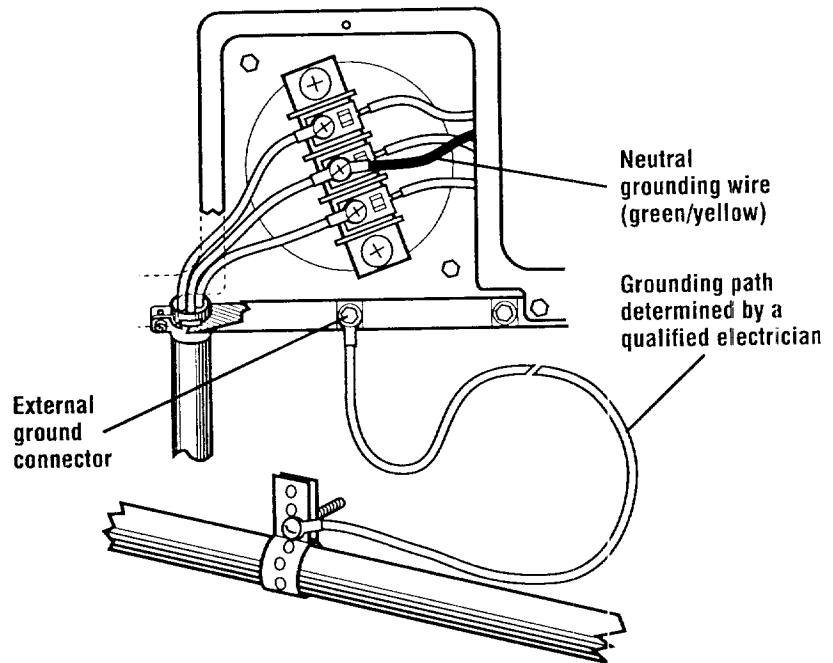
STEP 4. Connect the other two wires to outer terminal block screws. Securely tighten all electrical connections.

STEP 5. Tighten the strain relief screws.

STEP 6. Insert tab of terminal block cover into slot of the laundry center rear panel. Secure cover with hold-down screw.

STEP 7. Connect separate copper grounding wire from external ground connector to an adequate ground. If codes permit and a separate grounding wire is used, it is recommended that a qualified electrician determine that the grounding path is adequate.

Proceed with Installation on page 29.




**Alternate 3-Wire Connection with
External-Grounding Conductor**

III. MAKE FOUR-WIRE ELECTRICAL CONNECTION TO RECEPTACLE

Use a 4-wire power supply cord:

⚠ WARNING



Fire Hazard

Use a new UL approved 30 ampere power supply cord.

Use a UL approved strain relief.

Disconnect power before making electrical connections.

Connect neutral wire (white or center wire) to center terminal (silver).

Ground wire (green or bare wire) must be connected to green ground connector.

Connect remaining 2 supply wires to remaining 2 terminals (gold).

Securely tighten all electrical connections.

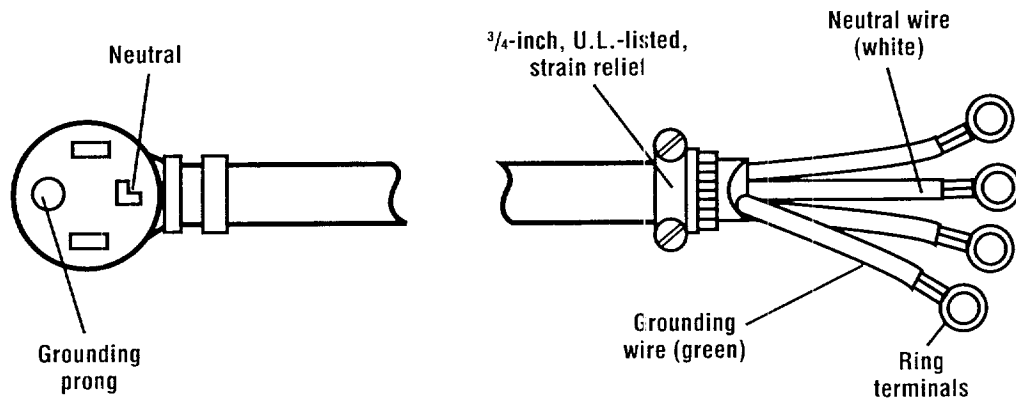
Failure to follow these instructions can result in death, fire, or electrical shock.

Local codes may permit the use of a U.L.-listed, 120/240-volt minimum, 30-ampere, dryer power supply cord kit (pigtail). Power supply cord should be type SRD or SRDT and be at least four feet long. The wires that connect to the laundry center must end with ring terminals or spade terminals with upturned ends.

For mobile homes or other four-wire installations, the power supply cord must have four, No.-10 copper wires and match a four-wire receptacle of NEMA Type 14-30R. The fourth wire (grounding conductor) must be identified with a green cover or bare copper wire and the neutral conductor by a white cover.

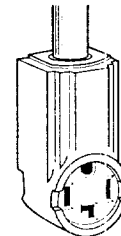
Do not use an extension cord with this laundry center.

Do not connect plug end of power supply cord into a live receptacle before connecting power supply cord to laundry center terminal block.



Four-Wire Power Supply Cord
(Mobile home or other four-wire installations)

Four-wire receptacle
(NEMA Type 14-30R)



GROUNDING INSTRUCTIONS

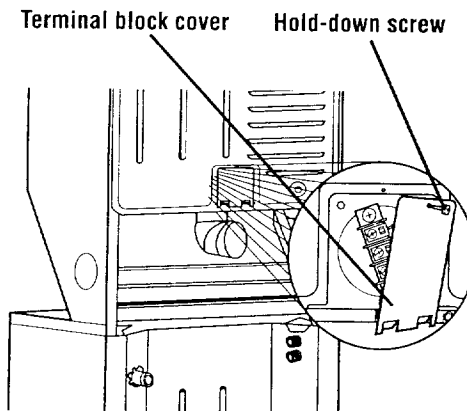
This appliance must be grounded. In the event of malfunction or breakdown, grounding will reduce the risk of electric shock by providing a path of least resistance for electric current. The power supply cord must be plugged into an appropriate outlet that is properly installed and grounded in accordance with all local codes and ordinances.

WARNING: Improper connection of the equipment-grounding conductor can result in a risk of electric shock. Check with a qualified electrician or serviceman if you are in doubt as to whether the appliance is properly grounded.

Do not modify the plug on the power supply cord. If it will not fit the outlet, have a proper outlet installed by a qualified electrician.

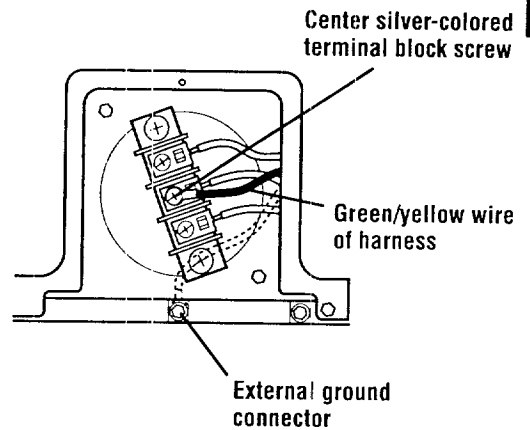
STEP 1. Disconnect power.

STEP 2. Remove hold-down screw and terminal block cover.



STEP 3. Attach a $\frac{3}{4}$ -inch, U.L.-listed, strain relief to the hole below terminal block opening. Strain relief should have a tight fit with laundry center cabinet and be in a horizontal position. Put the power supply cord through the strain relief.

STEP 4. Remove the center terminal block screw. Remove the neutral grounding wire (green/yellow wire) from external grounding screw.



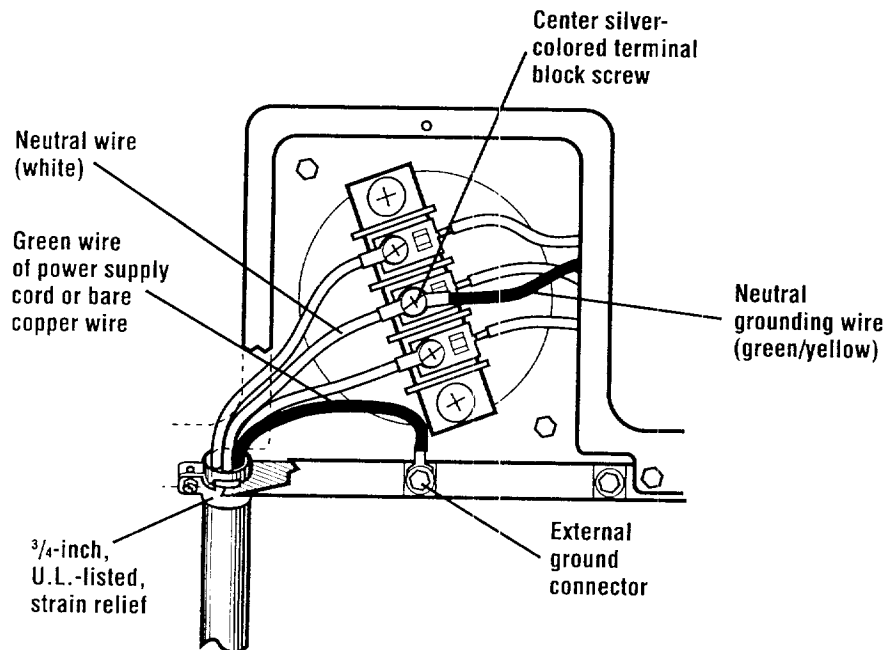
STEP 5. Connect neutral grounding wire and the neutral wire (white) of power supply cord under the center screw of terminal block.

STEP 6. Connect the other two insulated wires to outer terminal block screws.

STEP 7. Connect the grounding wire (green) of the power supply cord to the external grounding conductor screw. Securely tighten all electrical connections.

STEP 8. Insert tab of terminal block cover into slot of the laundry center rear panel. Secure cover with hold-down screw.

Proceed with Installation on page 29.




**4-Wire Connection with
Frame-Grounding Conductor**

IV. FOUR-WIRE ELECTRICAL CONNECTION (DIRECT WIRE)

Prepare cable as directed:

⚠ WARNING



Fire Hazard

Use 10 gauge solid copper wire.
Use UL approved strain relief.
Disconnect power before making electrical connections.
Connect neutral wire (white or center wire) to center terminal (silver).
Ground wire (green or bare wire) must be connected to green ground connector.
Connect remaining 2 supply wires to remaining 2 terminals (gold).
Securely tighten all electrical connections.
Failure to follow these instructions can result in death, fire, or electrical shock.

The laundry center can be connected directly to fused disconnect or circuit breaker box with four-wire flexible armored or nonmetallic sheathed copper cable (with grounding wire). All current-carrying wires must be insulated. The grounding wire may be bare.

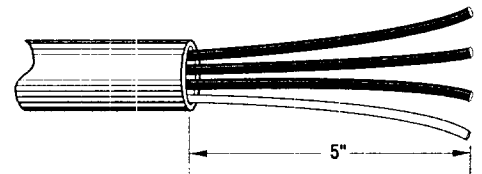
A conduit connector must be installed at junction box. Allow four feet of slack in the line so laundry center can be moved if servicing is ever necessary.

GROUNDING INSTRUCTIONS

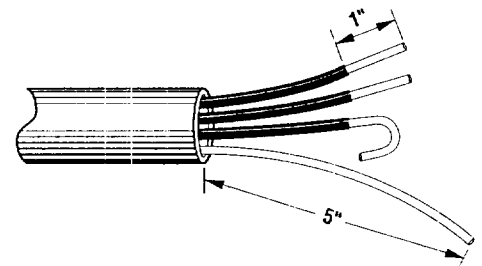
This appliance must be connected to a grounded metal, permanent wiring system; or an equipment-grounding conductor must be run with the circuit conductors and connected to the equipment-grounding terminal or lead on the appliance.

STEP 1. Disconnect power.

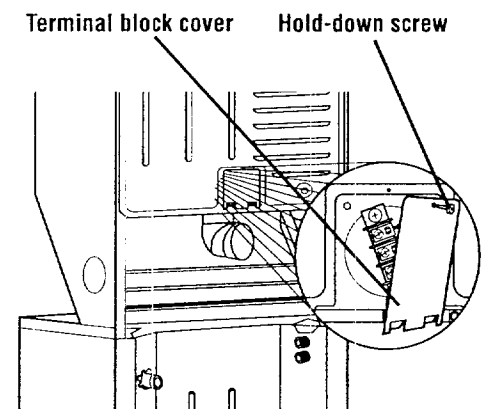
STEP 1a. Strip 5 inches of outer covering from end of cable. Leave bare grounding wire at 5 inches.



STEP 1b. Cut 1½ inches from 3 remaining insulated wires. Strip insulation back 1 inch. Shape the end of each wire into a “U” shaped hook.

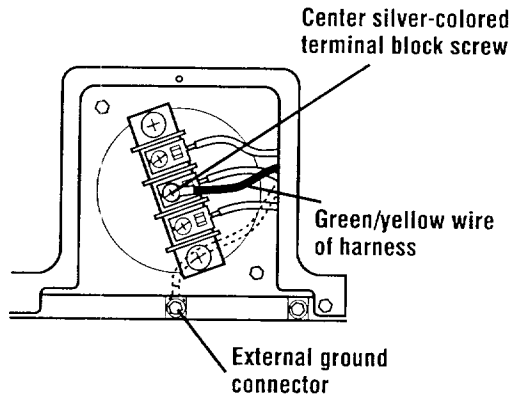


STEP 2. Remove hold-down screw and terminal block cover.

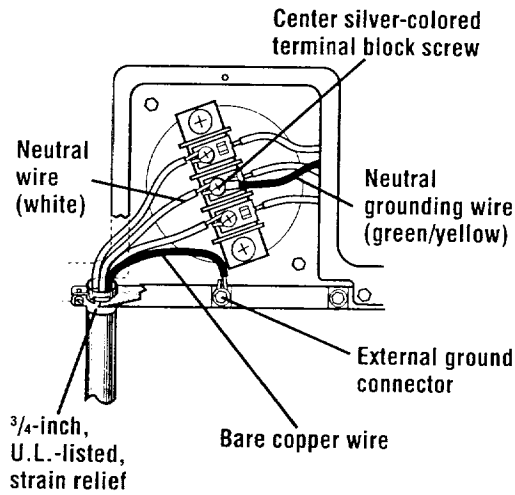


STEP 3. Attach a 3/4-inch, U.L.-listed, strain relief to the hole below terminal block opening. Strain relief should have a tight fit with laundry center cabinet and be in a horizontal position. Put the direct wire cable through the strain relief.

STEP 4. Remove the center terminal block screw. Remove the neutral grounding wire (green/yellow wire) from external grounding screw.

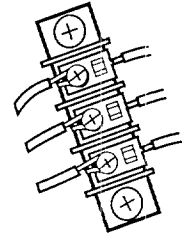


STEP 5. Connect neutral grounding wire and the neutral wire (white or center) of direct wire cable under the center screw of terminal block.



4-Wire Connection with Direct Wire and Frame-Grounding Conductor

STEP 6. Place the hook-shaped end of the wire over the terminal block screw. The open side of the hook should face to the right. Squeeze hook end of wire together to form a loop.



STEP 7. Connect the other two wires to outer terminal block screws. Use the same method described in STEP 6.

STEP 8. Connect the direct wire cable (bare) grounding wire to the external-grounding conductor screw. Securely tighten all electrical connections.

STEP 9. Tighten the strain relief screws.

STEP 10. Insert tab of terminal block cover into slot of the laundry center rear panel. Secure cover with hold-down screw.

E. CONNECT DRAIN HOSE

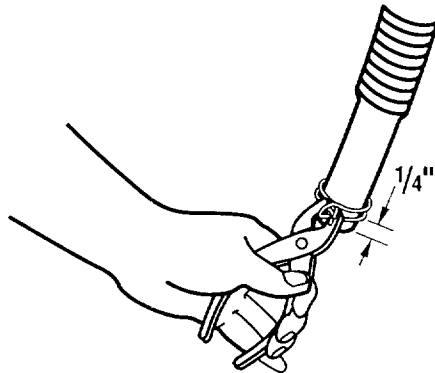
for your Benefit

Proper connection of the drain hose will protect your floors from damage due to water leakage.

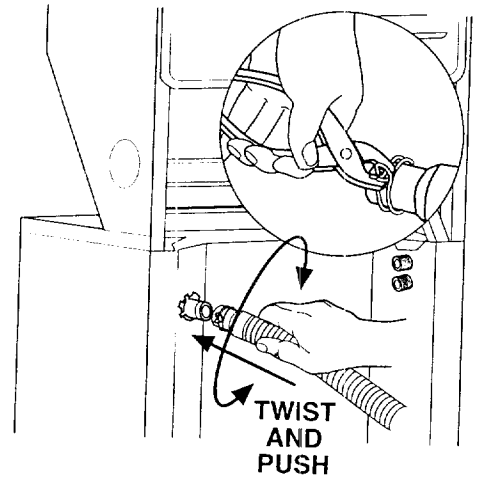
STEP 1. To prevent the drain hose from coming off or leaking, it must be installed per the following instructions:

IMPORTANT: To ensure proper installation, this procedure must be followed exactly.

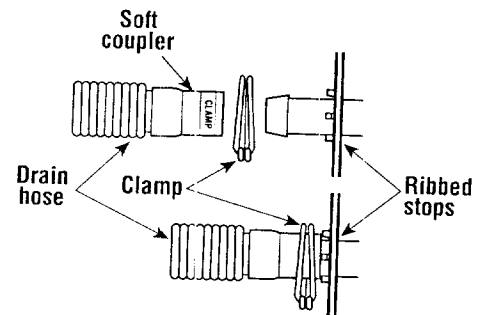
- Wet the inside of the straight end of the drain hose with tap water. **DO NOT USE ANY OTHER LUBRICANT.**
- Squeeze ears of silver, double-wire clamp with pliers to open. Place clamp over the straight end of the drain hose $\frac{1}{4}$ -inch from the end.



- Open clamp. Twist hose back and forth while pushing onto drain connector on the side of the laundry center. Continue until hose contacts the ribbed stops on the cabinet.



- Place clamp over area marked "CLAMP." Release clamp.

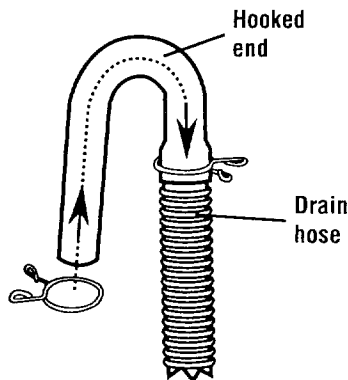


If you have:	You will need to buy:
Drain hose that is too short	Drain hose, Part No. 388423 and hose kit, Part No. 285442
Drain hose that is too long	Hose kit, Part No. 285442
A problem with lint clogging your drain	Drain protector, Part No. 367031

Parts listed are available from your local Sears store or Sears Service Center. Call 1-800-366-PART (1-800-366-7278).

For standpipe or laundry tub drain systems:

STEP 2. Open yellow, single-wire clamp with pliers and slide over hooked end of drain hose to secure the rubber and corrugated sections together.



STEP 3. Put hooked end of drain hose into laundry tub or standpipe. Check for proper length of drain hose. Rotate hook to eliminate kinks.

To prevent drain water from going back into the washer:

- Do not straighten hooked end of drain hose and force excess drain hose into standpipe.
- Do not lay excess drain hose in bottom of laundry tub.

F. CONNECT INLET HOSES TO LAUNDRY CENTER

for your **Benefit**

Proper connection of your inlet hoses will allow hot and cold water to enter your laundry center properly. It also helps prevent water damage due to leaks.

! WARNING



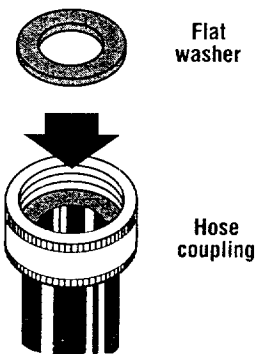
Slip and Fall Hazard

Use new water inlet hoses.

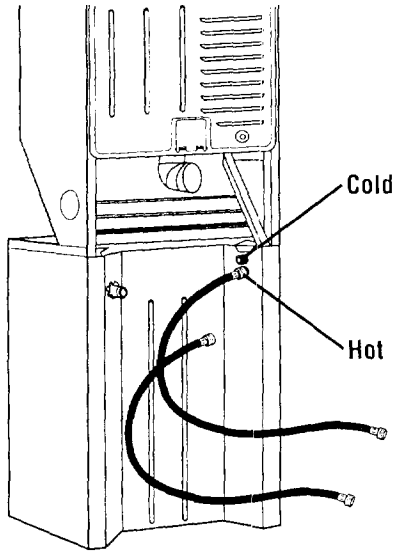
Failure to do so can result in head injury or broken bones.

NOTE: Replace inlet hoses after five years of use to reduce the risk of hose failure. Periodically inspect and replace inlet hoses if you find bulges, kinks, cuts, wear, or leaks. When replacing your inlet hoses, mark the date of replacement on the label with a permanent marker.

STEP 1. Insert one new, flat washer (from the parts bag) into each end of the inlet hoses. Check that washers are firmly seated in couplings.



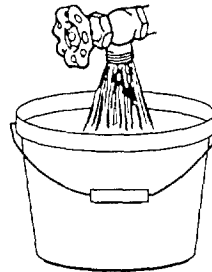
STEP 2. Attach the hose with the red coupling to the hot water (bottom) inlet valve. Attaching the red coupling first makes it easier to tighten connection with pliers. Screw on coupling by hand. Make an additional two-thirds turn with pliers to tighten coupling. **DO NOT OVERTIGHTEN**; this could damage the valves.



STEP 3. Attach the hose with the blue coupling to the cold water (top) inlet valve. Screw on coupling by hand. Make an additional two-thirds turn with pliers to tighten coupling. **DO NOT OVERTIGHTEN**; this could damage valves.

G. CONNECT INLET HOSES TO WATER FAUCETS

STEP 1. Make sure washer basket is empty. Run water through both faucets into a bucket or laundry tub to get rid of particles in the water lines that might clog hoses. Determine which faucet is hot and which is cold. Mark the hot water faucet.



STEP 2. Attach the hose with the red coupling to the hot water faucet. Screw on coupling by hand. Make an additional two-thirds turn with pliers to tighten coupling. **DO NOT OVERTIGHTEN**; this could damage the coupling.

STEP 3. Attach the hose with the blue coupling to the cold water faucet. Screw on coupling to faucet by hand. Make an additional two-thirds turn with pliers to tighten coupling. **DO NOT OVERTIGHTEN**; this could damage the coupling.

STEP 4. Turn on water faucets and check for leaks. A small amount of water will enter the washer. You will drain this later.

INSTALLATION

If you have:	You will need to buy:
Water faucets beyond the reach of water fill hoses	2 longer water fill hoses: 6 ft. hoses, Part No. 76314 or 10 ft. hoses, Part No. 350008

Parts listed are available from your local Sears store or Sears Service Center. Call 1-800-366-PART (1-800-366-7278).

H. SECURE DRAIN HOSE

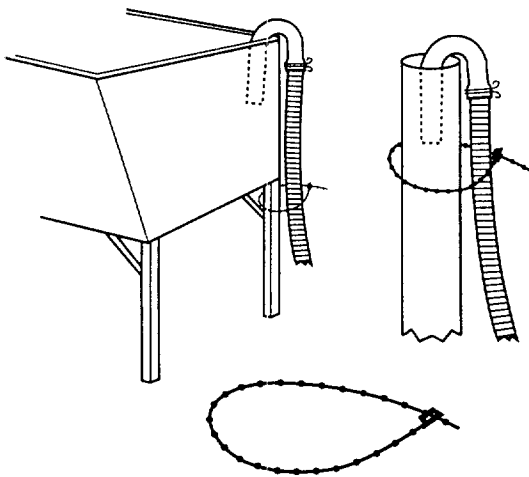
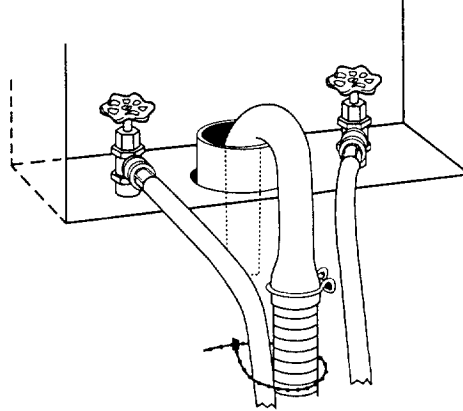
for your **Benefit**

Securing the drain hose properly will protect your floors from damage due to water leakage.

STEP 1. Move laundry center to its final location.

STEP 2. Use the plastic strap from the parts bag to wrap the drain hose together with the laundry tub or standpipe. Secure plastic strap.

If the water faucets and drain standpipe are recessed, put hooked end of drain hose in standpipe. Tightly wrap the plastic strap around the drain hose and water inlet hoses (not the handles or stems). Secure plastic strap.

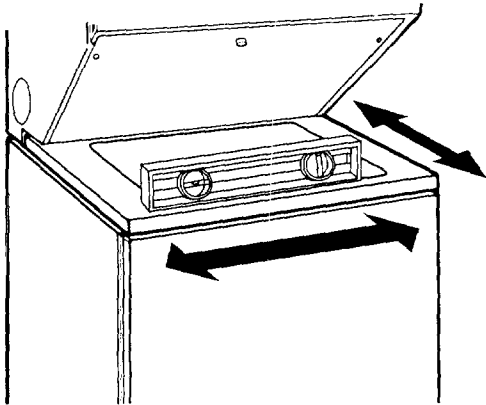


I. LEVEL LAUNDRY CENTER

for your Benefit

Leveling your laundry center properly prevents excessive noise and vibration.

STEP 1. Check levelness of the laundry center by placing a level on top of the washer, first side-to-side; then front-to-back.



STEP 2. If laundry center is not level, prop up the front of the laundry center and adjust the front legs up or down as necessary. Lower laundry center. Repeat STEP 2 until the laundry center is level.

J. CONNECT EXHAUST

for your Benefit

A properly exhausted laundry center will give you the shortest drying time, lower your utility bill, and extend the life of the laundry center.

! WARNING

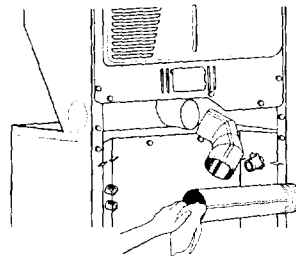


Fire Hazard

Use a heavy metal vent.
Do not use a plastic vent.
Do not use a metal foil vent.
Failure to follow these instructions can result in death or fire.

WARNING: To reduce the risk of fire, this dryer must be exhausted outdoors.

- Use a heavy metal vent.
- Do not use a plastic vent.
- Do not use a metal foil vent.
- Do not exhaust laundry center into a chimney, a wall, a ceiling, or a concealed space of a building.
- The diameter of the heavy metal vent must be 4 inches.
- Do not use an exhaust hood with a magnetic latch.
- If using an existing exhaust system, disconnect vent from the laundry center and clean one section at a time until you reach the exhaust hood. To clean out lint, you can use the hose attachment on your vacuum or, use a pole or wire with a feather duster or rag attached.



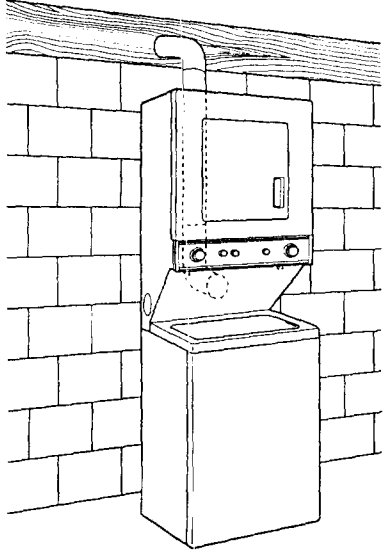
- Make sure exhaust hood is not plugged with lint. Follow the instructions in this section to reinstall your vent system.

INSTALLATION

ROUTE THE VENT

Typical installations exhaust from the rear of the laundry center.

Avoid pushing the laundry center tightly against a wall. This can crush or kink the vent. Use the straightest path you can, where possible. Avoid 90° turns.



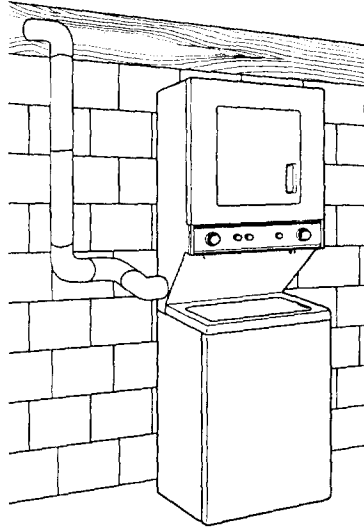
Rear exhaust installations for standard offset connections – (see pgs. 36-37)

This laundry center may be converted to exhaust out the right or left side. To convert the laundry center, one of the following kits **MUST** be used.

Side Exhaust Kit No. 3391335 (white)

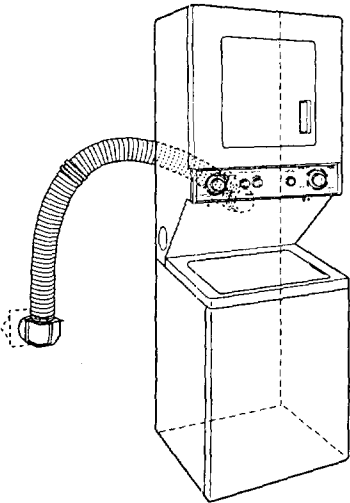
Side Exhaust Kit No. 3391336 (almond)

Follow the instructions in the kit to avoid operational and personal hazards. These kits are available at your local Sears store or Sears Service Center.



Typical installations for left or right side exhausting

NOTE: Avoid pushing the laundry center tightly against a wall. This can crush or kink the vent. Use the straightest path you can, where possible, to avoid 90° turns.

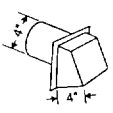
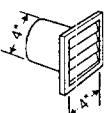
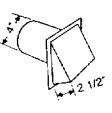


Rear exhaust installations for offset connections with close clearances – (see p. 38)

DETERMINE VENT LENGTH

Maximum Exhaust Lengths:

- *Rear Exhaust.* The maximum length of the rear exhaust system depends on the type of vent, the number of elbows and the type of exhaust hood. Refer to the chart below.
- *Side Exhaust.* Side exhaust adds a 90° turn inside the laundry center. To determine maximum exhaust length, add one 90° turn to the chart.

EXHAUST HOOD TYPE			
			
Number of 90° Turns	Maximum length of 4-inch diameter rigid heavy metal vent.		
0	36 ft.	34 ft.	29 ft.
1	26 ft.	24 ft.	20 ft.
2	16 ft.	14 ft.	12 ft.
Number of 90° Turns	Maximum length of 4-inch diameter flexible heavy metal vent.		
0	22 ft.	21 ft.	16 ft.
1	16 ft.	15 ft.	10 ft.
2	8 ft.	7 ft.	2 ft.

INSTALLATION

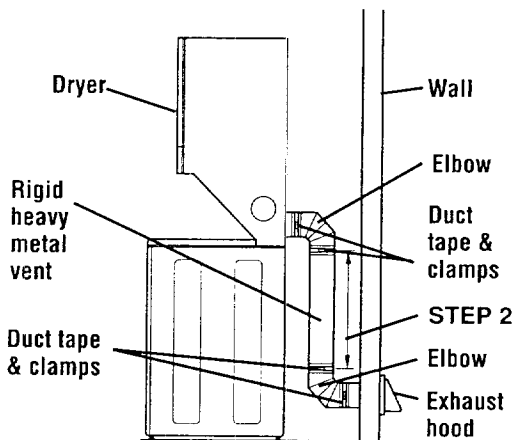
STANDARD OFFSET CONNECTIONS

Using 4-inch rigid heavy metal vent:

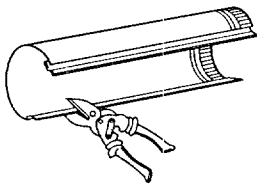
NOTE: Do not secure exhaust vent joints with screws. Screws can catch lint and slow the drying process. Instead, use clamps to secure exhaust vent joints.

STEP 1. Install a 4-inch metal elbow on the hood and on the laundry center's exhaust outlet.

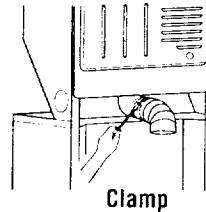
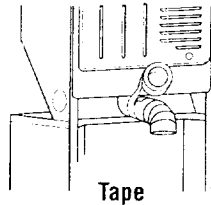
STEP 2. Measure the length of 4-inch rigid heavy metal vent needed to connect the two elbows.



The vent usually comes in 2-foot lengths. Use tin snips to cut the vent 3 inches longer than your measurement in order to make a connection.



STEP 3. Place a clamp on each end of vent elbow and connect elbow to your laundry center's exhaust outlet. Tape the joint with duct tape. Tighten clamp.



STEP 4. Connect vent to elbow. Tape the joint with duct tape. Tighten clamp.

STEP 5. Install one end of elbow on vent, the other end to the exhaust hood. Tape joints and tighten clamps.

NOTE: Once the exhaust vent is connected and the laundry center is in its final location, check to make sure the laundry center is still level (see section "1," LEVEL LAUNDRY CENTER).

Finish Installation. See "REVIEW INSTALLATION" on page 39.

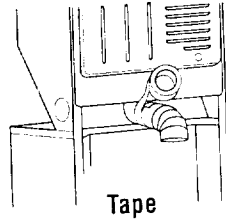
Using 4-inch flexible heavy metal vent:

NOTE: Do not secure exhaust vent joints with screws. Screws can catch lint and slow the drying process. Instead, use clamps to secure exhaust vent joints.

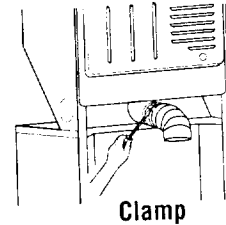
STEP 1. Install a 4-inch metal elbow on the exhaust hood and, if necessary, on the laundry center's exhaust outlet.

STEP 2. Measure the length of 4-inch flexible heavy metal vent needed from the laundry center to the hood.

STEP 5. Place a clamp on each end of vent elbow. Install one end of elbow on vent, the other end to the exhaust hood. Tape joints and tighten clamps.

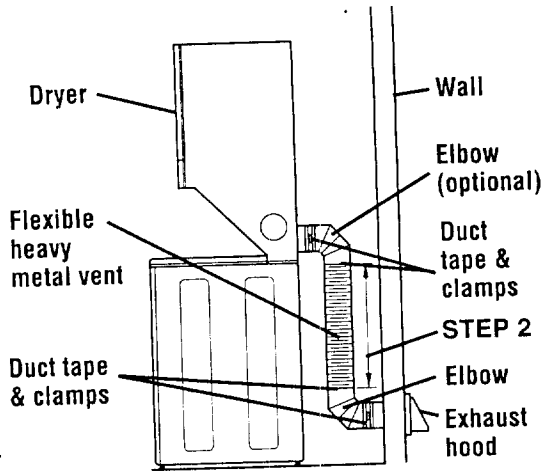


Tape



Clamp

INSTALLATION



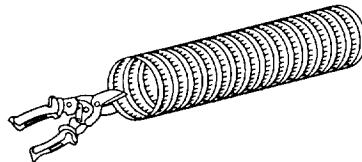
STEP 6. Stretch the vent only as needed by pulling out from the center in each direction. Do not stretch vent sections over 6 feet. If distance is more than 6 feet, use 2 or more sections of rigid metal vent with flexible metal vent attached at ends.

STEP 7. Connect the vent directly to the laundry center's exhaust outlet or to a separate elbow. Tape the joints with duct tape. Secure with clamps.

STEP 8. To fit the vent over the duct on the hood it may be necessary to make two 1/2-inch cuts in the end of the vent to allow it to expand.

STEP 3. Add 10 inches to the measurement for each bend in the vent.

STEP 4. Add 3 more inches to the measurement for connection over the laundry center's exhaust outlet and hood.



NOTE: Once the exhaust vent is connected and the laundry center is in its final location, check to make sure the laundry center is still level (see section "1," LEVEL LAUNDRY CENTER).

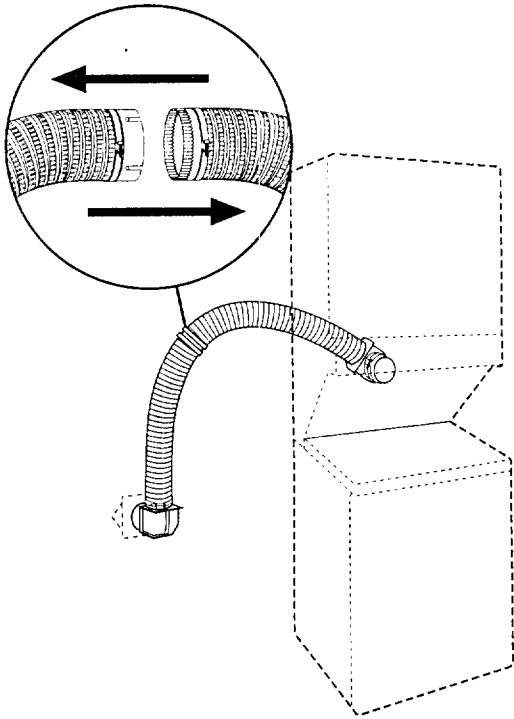
Finish Installation. See "REVIEW INSTALLATION" on page 39.

OFFSET CONNECTIONS WITH CLOSE CLEARANCES

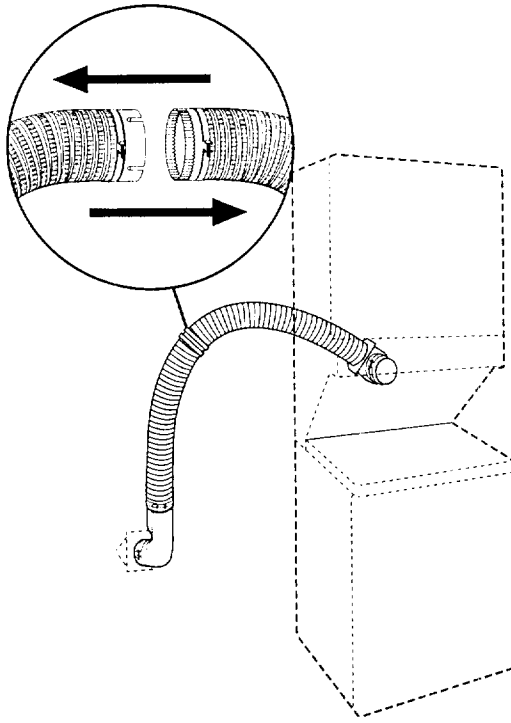
When your exhaust vent is in a close clearance behind the laundry center, or if you are installing your laundry center in a recessed area or closet, you will find it helpful to install the exhaust vent by using a loop system. A kit is available from your local Sears store or Sears Service Center.

NOTE: Vent systems come in many varieties. Select the type that best fits your installation. Three of the most common types of installations are illustrated here.

LOOP SYSTEM

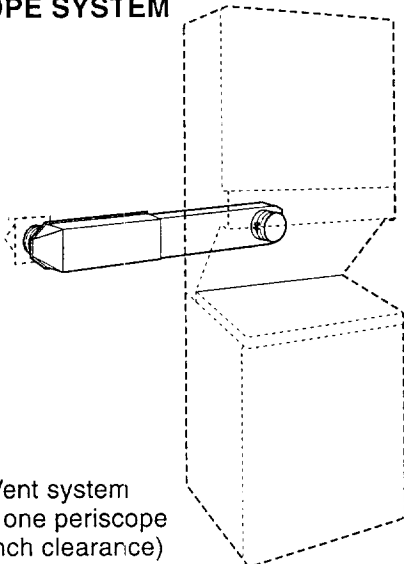


Loop system with standard elbows



Loop system with one offset and one standard elbow

PERISCOPE SYSTEM



Vent system with one periscope (2-inch clearance)

REVIEW INSTALLATION

for your **Benefit**

Take a few minutes to complete this checklist. It will help assure you that you have a proper installation and will increase your satisfaction with your Kenmore laundry center.

- Check electrical requirements. Be sure you have correct electrical supply and recommended grounding method.
- Check that you have:
 - All the tools you started with.
 - Removed all packaging materials.
 - Installed all parts listed on pages 5-10.
- Check that the laundry center is level.
- Check that the water faucets are turned on.
- Ensure that laundry center is positioned in its final location. Make sure vent is not crushed or kinked.

INSTALLATION

FINAL STEPS

- Plug the power supply cord into the grounded outlet or connect direct wire to power supply.
- Turn power supply on.
- Wipe the interior of the dryer drum thoroughly with a damp cloth to remove any dust.
- Remove the blue protective film on the console and any tape remaining on laundry center.
- Take a few minutes and read the Operating Instructions (pages 40-49) to fully understand your new laundry center.
- Start the washer and allow it to complete the HEAVY DUTY Cycle.
- Start the dryer and allow it to complete a full heat cycle (not the AIR DRY Cycle). After five minutes, open dryer door. You should feel heat inside the dryer. If you do not feel heat, see Troubleshooting information on pages 64-65.


NOTE: You may notice a burning odor. This smell is common when the heating element is first used. The smell will go away.

OPERATING YOUR WASHER

for your **Benefit**

To get the maximum cleaning and fabric care from your washer, please read and follow these instructions.

⚠ WARNING



Explosion Hazard

Never place items in the washer that are dampened with gasoline or other flammable fluids.

No washer can completely remove oil.

Do not dry anything that has ever had any type of oil on it (including cooking oils).

Failure to follow these instructions can result in death, explosion, or fire.

STARTING YOUR WASHER

STEP 1. Add measured detergent directly into washer basket. Then place a load of sorted clothes in the washer.

STEP 2. Close washer lid.

STEP 3. Set WATER LEVEL Control **A** based on the size of your wash load (see page 41).

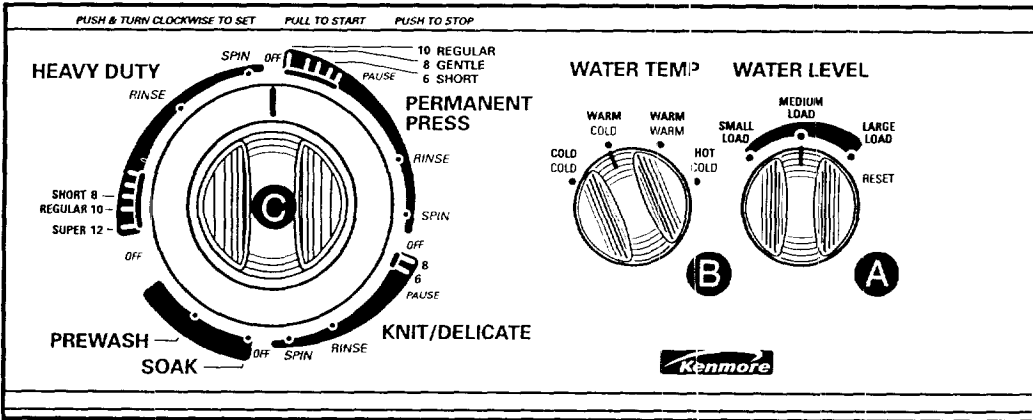
STEP 4. Set WATER TEMP Control **B** (see page 41).

STEP 5. Push the Cycle Selector Control (Timer) Knob **C** in and turn to the right to desired cycle and time (see pages 42-43).

STEP 6. Pull the Cycle Selector Control (Timer) Knob out. The dial will rotate as the cycle progresses. The knob will not rotate.

STOPPING/RESTARTING YOUR WASHER

- To stop the washer at any time, push the Cycle Selector Control (Timer) Knob in.
- Pull the knob out to restart.



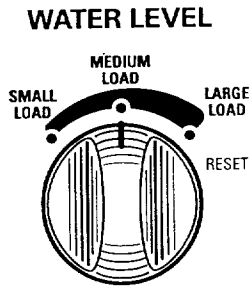
SET WATER LEVEL CONTROL

for your Benefit

This control gives you the flexibility to save water when washing small loads.

Your washer lets you select a water setting based on the size of your wash load.

- For normal loads, start with the MEDIUM LOAD setting. Adjust up or down depending on your load. Clothes should move freely and roll toward the agitator.
- To change to a higher water level setting after the washer has started to agitate, turn the knob to the desired new setting.

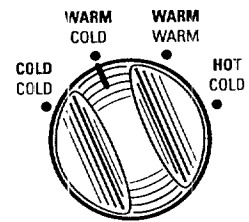


SET WATER TEMPERATURE CONTROL

Your washer lets you select a wash and rinse water temperature setting based on the type of load you are washing.

- Using warm rinse water will leave loads drier after the spin cycle than if you use cold rinse water. However, warm rinses may increase wrinkling when line drying.
- In cold climates, warm rinse water also provides a more comfortable temperature for handling the wash load.

WATER TEMP



SELECTING WATER TEMPERATURES		
Wash Water Temperature	Suggested Fabrics	Comments
HOT 120°F or above	<ul style="list-style-type: none"> • Work clothes • Sturdy whites/colorfast pastels • Diapers 	<ul style="list-style-type: none"> • Best cleaning for heavily soiled items • Removes oils, perspiration, greasy soils and stains • Prevents graying or yellowing
WARM 90°-110°F	<ul style="list-style-type: none"> • Dark/non-colorfast colors • Permanent press items • Nylon, polyester, acrylics, silks, woolens • Knits/delicate fabrics 	<ul style="list-style-type: none"> • Best for moderately soiled to lightly soiled items • Safe for most fabric finishes • Less fading and dye bleeding • Reduces wrinkling
COLD* 70°-90°F	<ul style="list-style-type: none"> • Extra-sensitive colors • Non-colorfast items • Hand washables 	<ul style="list-style-type: none"> • Best for very lightly soiled items • Saves hot water

*In wash water temperatures colder than 70°F, detergents do not dissolve well. Also, soils may be difficult to remove and some fabrics may retain wear wrinkles and have increased pilling – the formation of small lint-like balls on the surface of garments. Pilling is the natural result of wearing and washing of garments.

SETTING YOUR CYCLE SELECTOR CONTROL (TIMER)

Use this control to choose the agitation time and to start the washer. Each cycle is designed with the wash and spin speeds that are appropriate for the fabrics and soil levels in your wash load.

- For heavy soil and sturdy fabrics, use the full time (SUPER or REGULAR if indicated).
- For light soil and delicate fabrics, use less time (SHORT if indicated).

NOTE: Do not wash garments labeled Hand Wash in your washer. Garments that are labeled Hand Wash have:

- A fiber or construction that is sensitive to agitation.
- Sensitive dyes that may bleed.

Follow care label directions for drying. Items that may shrink should be dried flat. Block these items by gently stretching to original measurements. Woolens tend to shrink more the first time they are washed.

HEAVY DUTY

Use this cycle to get up to 12 minutes of wash time for sturdy or heavily soiled loads.

- Wash combines fast speed agitation and fast spin speeds.

PERMANENT PRESS

for your Benefit

The **PERMANENT PRESS** Cycle includes a load cooling process that reduces wrinkling compared to other cycles.

You can select up to 10 minutes of wash time. Wash combines slow speed agitation and slow spin speeds to reduce wrinkling.

NOTE: When the timer reaches PAUSE, the washer will drain and pause for no more than two minutes while some of the wash water is drained and replaced with cool water.

KNIT/DELICATE

Use this cycle for lingerie and loosely knit items. Cycle has up to 8 minutes of wash time with a pause and soak part way through for more gentle care of lightly soiled delicate items. Wash combines slow speed agitation for gentle soil removal and slow spin speeds to reduce wrinkling.

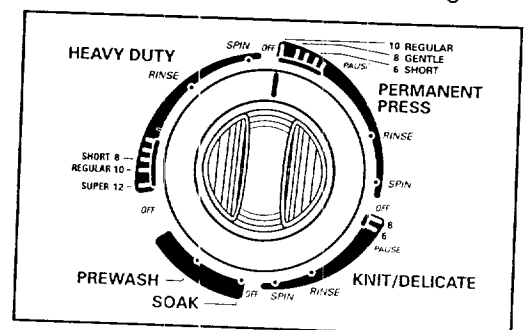
SOAK

SOAK Cycle features 4 minutes of fast speed agitation followed by an unlimited soak time to help remove heavy soils and stains that need pretreatment. You will need to reset the washer to a SPIN setting to remove water. SOAK Cycle should be followed by a HEAVY DUTY, PERMANENT PRESS or PREWASH Cycle with additional detergent.

NOTE: We do not recommend hot water for soaking. It may set some stains.

PREWASH

Use this cycle to get up to 4 minutes of agitation to help remove heavy soils and stains that need pretreatment. PREWASH Cycle should be followed by a HEAVY DUTY or PERMANENT PRESS Cycle with additional detergent.



RINSE AND SPIN

When using extra detergent for heavily soiled clothes, or washing special-care items, you may find an extra rinse and spin is needed.

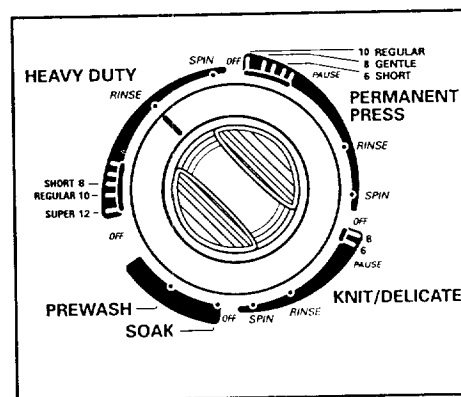
STEP 1. Set WATER LEVEL Control.

STEP 2. Set WATER TEMP Control.

STEP 3. Set the Cycle Selector Control (Timer) Knob to a RINSE setting.

- For fast agitation and spin, use the HEAVY DUTY Cycle.
- For slow agitation and spin, use the PERMANENT PRESS Cycle.

STEP 4. Pull Cycle Selector Control (Timer) Knob out to start washer.



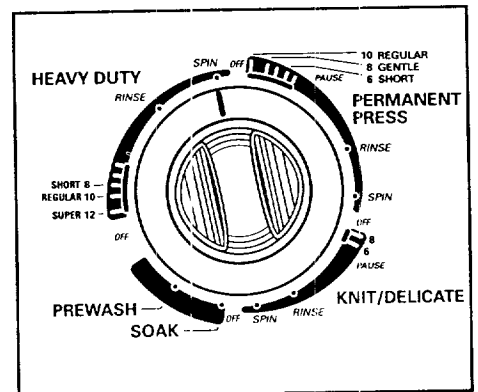
SPIN ONLY

A drain and spin may help shorten drying times for some heavy fabrics or special-care items by removing excess water.

STEP 1. Set the Cycle Selector Control (Timer) Knob to a SPIN setting.

- For fast spin, use the HEAVY DUTY Cycle.
- For slow spin, use the PERMANENT PRESS Cycle.

STEP 2. Pull the Cycle Selector Control (Timer) Knob out to start washer.

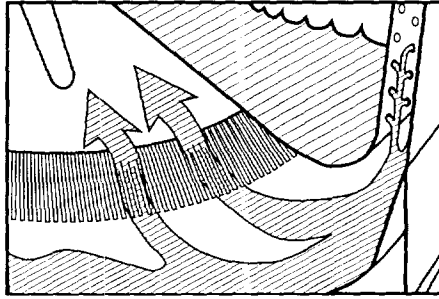


SELF-CLEANING LINT FILTER

for your **Benefit**

Lint is filtered from the load automatically – there's no messy cleanup.

Your washer features a self-cleaning filter that traps lint from the water while the washer is washing and deep rinsing the laundry. The trapped lint is flushed down the drain automatically. You don't have to clean the filter.



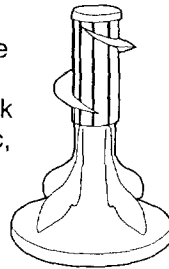
DUAL-ACTION™ AGITATOR

for your **Benefit**

Kenmore's DUAL-ACTION™ Agitator gives you flexible fabric care for even your largest loads.

The best cleaning action in your washer takes place at the bottom where the agitator vanes move back and forth to flex the fabric, loosening the soil.

The upper portion of the agitator moves in only one direction to help you wash larger loads. The clockwise rotation of the agitator forces the clothes on top down to the bottom where most of the washing action is.



UNDERSTANDING NORMAL WASHER SOUNDS

Your new laundry center's washer may make sounds that your old washer didn't. Because the sounds are unfamiliar, you may be concerned about them.

The following describes some of the normal sounds you may hear and what causes them.

During Wash

When you select a small load size setting for a small wash load, your washer has a lower water level. With this lower water level, you may hear a clicking sound from the upper portion of the agitator.

During Drain

The rate that water is drained from your washer depends on your installation. If water is drained quickly from the washer, you may hear air being pulled through the pump. This happens during the end of draining.

After Drain and Before Spin

When the cycle changes from draining to spinning, you may hear a noise as the gearcase shifts.

UNDERSTANDING WHAT HAPPENS IN EACH CYCLE

PERMANENT PRESS

	Fill to selected level
	Wash selected time
	Partial Drain
	Pause
	Fill for cool down
	Wash
	Drain – no spin
	Spin
	Fill to selected level
	Rinse
	Drain – no spin
	Spin
	Off

HEAVY DUTY

	Fill to selected level
	Wash selected time
	Drain – no spin
	Spin
	Fill to selected level
	Rinse
	Drain – no spin
	Spin
	Off
PREWASH	
	Fill to selected level
	Wash selected time
	Drain – no spin
	Spin
	Off (reset to wash cycle and time)

KNIT/DELICATE

	Fill to selected level
	Wash
	Pause
	Wash
	Drain – no spin
	Spin
	Fill to selected level
	Rinse
	Drain – no spin
	Spin
	Off
SOAK	
	Fill to selected level
	Agitate
	Soak (reset to SPIN to drain washer)

OPERATING YOUR DRYER

STARTING YOUR DRYER

⚠ WARNING



Explosion Hazard

Keep flammable materials and vapors, such as gasoline, away from dryer.

Do not dry anything that has ever had anything flammable on it (even after washing).

Failure to follow these instructions can result in death, explosion, or fire.

⚠ WARNING



Fire Hazard

No washer can completely remove oil.

Do not dry anything that has ever had any type of oil on it (including cooking oils).

Items containing foam, rubber, or plastic must be dried on a clothesline or by using an air cycle.

Failure to follow these instructions can result in death or fire.

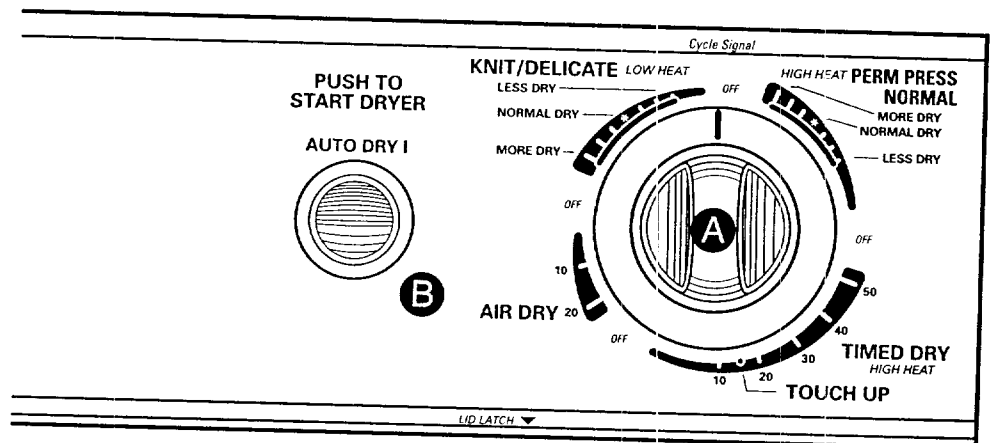
To get the best drying results, you must operate your dryer properly. This section gives you this important information.

STEP 1. Check lint screen. Clean if needed (see page 57).

STEP 2. Put laundry into dryer and shut door.

STEP 3. Set Cycle Selector Control (Timer) **A**; (see pages 47-48).

STEP 4. Press PUSH TO START DRYER Button **B**. Be sure door is closed.



STOPPING/RESTARTING YOUR DRYER

- To stop the dryer at any time, open dryer door.
- To restart, press PUSH TO START DRYER Button. Be sure door is closed.
- If you wish to end your drying cycle, turn Cycle Selector Control (Timer) to OFF.

CYCLE DESCRIPTION – AUTOMATIC DRYING CYCLES

for your Benefit

The automatic drying cycles (KNIT/DELICATE or PERMANENT PRESS/NORMAL) save you time by providing the best drying results in the shortest time. This can help you save money on utility bills and reduce the risk of fabric damage.

Use the automatic drying cycles for most loads. Drying time varies according to type of fabric, size of load, and dryness setting.

KNIT/DELICATE CYCLE

- Use this cycle for most loads of knitted, delicate, or sheer fabrics. Clothes are dried at low heat. When the dryness selected is reached, the dryer goes into a 5-minute (approx.) cool-down period.

PERMANENT PRESS/ NORMAL CYCLE

- Use this cycle for sturdy clothes or permanent press items. Clothes are dried at high heat. When the dryness selected is reached, the dryer goes into a 10-minute (approx.) cool-down period.

Using Automatic Drying Cycles

- Set the Cycle Selector Control (Timer) to NORMAL DRY (*) which is good for most fabrics.
- At the end of the cycle, feel the dried clothes. If they are damp, select MORE DRY the next time you do a similar load. If they are overdried, select LESS DRY the next time you do a similar load.
- Dryness is determined by thermostats that react to the amount of moisture in the air exhausted from the dryer. Moist air indicates clothes are still damp. Dry air indicates that moisture has been removed.
- The End-of-Cycle Signal sounds once the cycle is completed.

CYCLE DESCRIPTION – TIMED DRY CYCLES

TIMED DRY CYCLE

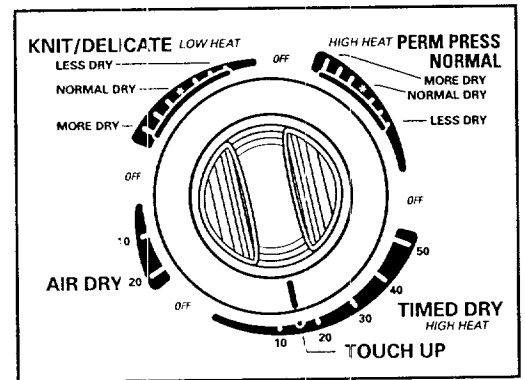
Use this cycle to get up to 50 minutes of heated drying time.

- The heating cycle is followed by a 10-minute (approx.) cool-down period.
- The End-of-Cycle Signal sounds once the cycle is completed.

TOUCH UP CYCLE

Use this cycle to smooth synthetic and permanent press clothes that are clean but wrinkled from being crowded in a closet or suitcase.

- This setting provides about 15 minutes of heated tumbling followed by a 10-minute (approx.) cool-down period.
- Remove clothes immediately when tumbling stops.

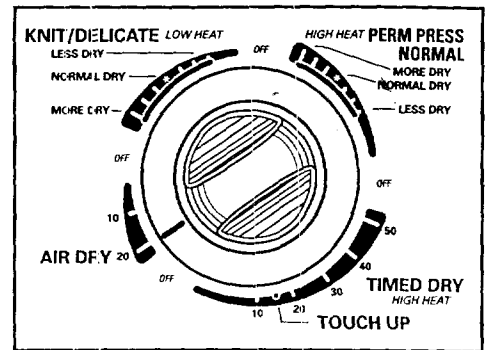


USING AIR DRY

for your **Benefit**

Using this cycle gives you all the benefits of hang drying with a shorter drying time.

Use the AIR DRY Cycle to get up to 20 minutes of drying time in room temperature air. Use this setting for items that will not tolerate heat such as plastics and foam rubber. Also use for airing and fluffing items such as pillows.



Refer to the following table for examples of items that require drying without heat. Use the AIR DRY Cycle, or place the items on a line or rack to air dry.

Type of Load	AIR DRY Cycle*
DELICATE FABRICS Sheer curtains (2 or 3 panels), gauze, lace, etc.	10 min.
RUBBER, PLASTIC, HEAT-SENSITIVE FABRICS Foam rubber – Pillows, padded bras, stuffed toys <ul style="list-style-type: none"> • Make sure coverings are securely stitched. • Shake and fluff pillows by hand several times during the cycle. • Make sure pillows are completely dry. Foam rubber pillows take a long time to dry. Plastic – Shower curtains, tablecloths Rubber-backed rugs Olefin, Polypropylene, sheer nylon	10 min. 10 min. 20 min. 10 min.

*Reset time, as needed, to allow items to dry completely.

END-OF-CYCLE SIGNAL

for your **Benefit**

Your dryer sounds a signal when a drying cycle is finished.

The signal is helpful when you are drying permanent press, synthetics, and other items. These items should be removed from the dryer as soon as it stops in order to prevent wrinkles.

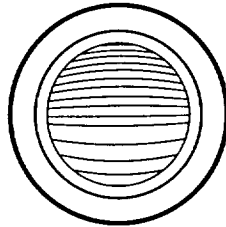
PUSH TO START DRYER BUTTON

Use this control to start the dryer. Be sure the dryer door is closed.

Opening the door stops the dryer. It will not start again until you close the door and press the PUSH TO START DRYER Button. Be sure the Cycle Selector Control (Timer) is still on a dry setting.

PUSH TO START DRYER

AUTO DRY I



SOFT-HEAT® SYSTEM

for your **Benefit**

SOFT-HEAT® System guards against overdrying. This helps your fabrics retain the natural moisture they need, prevents static, and reduces pilling – the formation of small lint-like balls on the surface of garments. Pilling is the natural result of washing and wearing of garments.

Kenmore dryers help prevent overdrying so you get outstanding fabric care. In the automatic drying and timed drying cycles, clothes are dried at the temperature you selected until the last few minutes of the cycle. The dryer then switches to low heat.

COOL DOWN

Approximately ten minutes before the end of the automatic drying and timed drying cycles, clothes are tumbled without heat to help reduce wrinkles and make clothes more comfortable to handle.

LAUNDRY TIPS

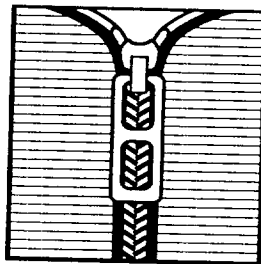
PREPARING CLOTHES FOR WASHING AND DRYING

for your **Benefit**

Follow these recommendations to help save on utility bills and prolong the life of your garments.

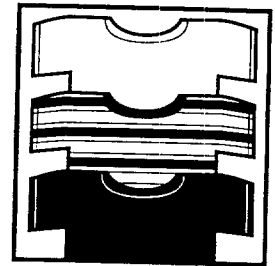
WASHING AND DRYING TIPS

- Close zippers, snaps, and hooks to avoid snagging other items. Remove heat-sensitive trim that can be damaged by drying. Tie strings and sashes so they will not tangle. Mend tears, loose hems, and seams.
- Check garments for spots and stains left after washing. Do not tumble these items. Heat may permanently set stains.
- Check pockets before washing or drying. Sharp or metal objects can damage your washer interior or dryer drum. Do not lay these objects on your laundry center; they can damage the finish. Turn pockets of heavy items inside out for even drying.
- Turn synthetic knits inside out before washing to avoid pilling.
- Stained or wet garments should be washed promptly for best results.
- Place small items such as baby socks or hankies in laundry bag for easier removal.
- Articles to be ironed should be removed from the dryer while still damp.



SORTING

- Separate heavily soiled items from lightly soiled ones, even if they would normally be washed together. Separate lint givers (towels, chenille) from lint takers (corduroy, synthetics, permanent press). When possible, turn lint givers inside out.
- Separate dark colors from light colors, colorfast items from non-colorfast items.
- Sort by fabric and construction (sturdy cottons, knits, delicate items).



LOADING

for your **Benefit**

Proper loading of your laundry center contributes to proper cleaning and fabric care and reduces machine noise.

LOADING TIPS – WASHER

- Drop items into washer loosely. Fill to the top of the basket (top row of holes). Do not wrap items around the agitator. Items should move easily through wash water for best cleaning and wrinkle-free results. Items should sink and reappear later.
- Load washer properly and select correct water level setting. Overloading or packing the machine, and selecting a setting too small for the wash load can:
 - cause poor cleaning
 - increase wrinkling
 - create excessive lint
 - wear out items faster (because of pilling)
- Load by the amount of space items take up, not by their weight.
- Mix large and small items in each load. Load evenly to maintain washer balance. An off-balance load can make the washer vibrate during spin.

- Use a higher water level setting to reduce wrinkling with permanent press clothes and some synthetic knits. These items should have more room to move in the water than heavy items (towels, jeans).
- Reduce wash time by using a lower water level setting. Loads with only a few small items need less wash time.

For these suggested full-sized loads, set the WATER LEVEL Control to the highest water level setting.

LAUNDRY CENTER	
Heavy Work Clothes	3 workshirts, 2 pairs pants
Towels	9 bath towels – or – 6 bath towels, 3 hand towels, 6 wash cloths
Mixed Load	1 pair slacks, 2 pillowcases, 2 shirts, 1 T-shirt
Delicates	1 camisole, 2 slips, 2 panties, 2 bras, 1 nightie, 1 half-slip
Permanent Press	6 shirts – or – 2 double sheets, 2 pillowcases – or – 2 single sheets, 2 pillowcases
Knits	2 slacks, 2 shirts – or – 3 dresses



LOADING TIPS – DRYER

- Mix large items with small items. Load the dryer by the amount of space items take up, not by their weight. Do not overload the dryer. Overcrowding causes uneven drying and wrinkling, and can cause items to wear out faster (because of pilling).
- You may need to rearrange large items (sheets, blankets, tablecloths) during a cycle to reduce balling or rolling up.
- For better tumbling action, when drying only a few small items, add one or two lint-free towels. This also prevents small lightweight items from blocking airflow.

USING DRYER FABRIC SOFTENERS

Dryer fabric softeners are recommended for reducing static cling. Always follow package instructions carefully.

- Put one fabric softener sheet on top of the load before starting the dryer. Do not add a fabric softener sheet after the drying cycle has started. Instant heat can cause the fabric softener to spot fabrics.
- Remove fabric softener stains by wetting the stains and rubbing them with liquid detergent or bar soap and rewash.
- Some fabric softeners can clog the lint screen and slow drying. Use fabric softeners labeled as dryer safe.

SAVING ENERGY

- Use the automatic drying cycles to dry most loads.
- Dry full loads only. Do not overdry.
- Avoid overloading dryer, adding wet items to a partly dried load, or opening the door unnecessarily.
- Shorten drying times by exhausting laundry center properly and cleaning exhaust vent and outside exhaust hood as needed.
- Keep the lint screen clean.
- Use dryer where room air temperature is above 45°F.
- Sort loads by fabric weight and type.

REMOVING STAINS

STAIN REMOVAL RULES

Stained, heavily soiled, or greasy items may need to be prewashed or soaked for best results. Soaking helps remove protein-type stains like blood, milk, or grass. Prewashing helps loosen soil before washing.

- Use warm water for soaking or prewashing stained laundry. Hot water can set stains.
- Most stains are easier to remove when they are fresh. Old or set stains may not come out. Follow package directions for pretreatment products.
- Before treating any stain, find out what kind of stain it is, how old the stain is, what kind of fabric it is, and if the fabric is colorfast. (Check the care label.)
- Washing and drying can set some stains.
- Start with cold or warm water. Hot water can set some stains.
- When bleach is recommended, use a bleach that is safe for the fabric.
- Test stain removers on an inside seam or hidden corner of the item to see if the color is removed.
- Put the stained area face down on a paper towel or white cloth. Apply the stain remover to the back of the stain. This forces the stain off the fabric instead of through it.
- Meat tenderizer or enzyme presoaks help break down some protein stains so they are easier to remove.

STAIN REMOVAL GUIDE

Alcoholic beverage

These stains turn brown with age, so treat immediately. Sponge or soak fresh stains with cold water. Wash. If stain remains, soak 15 minutes in a solution of lukewarm water, liquid detergent, and a few drops of white vinegar. Rinse. Wash.

Blood

Rinse immediately or soak in cold water with enzyme presoak for 30 minutes or longer. Rinse. Rub detergent into any remaining stains. Rinse. If stain remains, put a few drops of 3% hydrogen peroxide on stain for 3-5 minutes. Rinse thoroughly. Wash.

Chewing gum

Use ice to make gum hard. Scrape off what you can. Sponge with a nonflammable fabric cleaner. Let dry. Wash.

Chocolate or coffee

Sponge immediately with a nonflammable fabric cleaner or apply a prewash soil and stain remover. Rinse. Wash. If stain remains, apply a liquid detergent to stain or soak in warm water with an enzyme presoak. Rewash.

Crayon or candle wax

Scrape off excess with a dull knife. Place fabric between two blotters or facial tissue. Press with warm iron. Remove color stain with nonflammable fabric cleaner. Hand wash until stain is gone. If full load is crayon stained, take to cleaners or coin-operated dry cleaning machine.

Cream, milk, or ice cream

Sponge with a nonflammable fabric cleaner, or a prewash soil and stain remover. Rinse. Wash. Repeat if necessary. If stain remains, apply a few drops of liquid detergent and a few drops of ammonia. Blot dry and rinse. If stain remains, soak in an enzyme presoak. Wash.

Deodorants or antiperspirants

Light stain: Treat with liquid detergent or your regular laundry detergent. Wash in hottest water safe for fabric.

Heavy stain: Place face down on towel and treat with a paste of ammonia and color-safe bleach. Let stand for 30 minutes. Wash in hottest water safe for fabric.

Fat, grease, or oil

Items soiled with vegetable or cooking oil should not be washed or dried. For other types of greasy stains, use one of the methods below:

- Use pretreatment stain remover. Follow label directions. Wash in hottest water safe for fabric.
- Use talcum powder to absorb as much grease as possible. Sponge with a nonflammable fabric cleaner. Rinse. Wash.
- Treat with liquid detergent or rub a detergent paste on the stain. Wash using hottest water safe for fabric.

Fruit stains

Fresh stains: Soak immediately in cool water. Wash. If stain remains, cover area with a paste made of color-safe bleach, a few drops of hot water, and a few drops of ammonia. Wait 15 to 30 minutes. Wash.

Old stains: Sponge with white vinegar. Rinse. Repeat procedure for fresh stains.

Grass or green vegetables

Soak in warm or cold water with an enzyme presoak for at least 30 minutes. Wash in water temperature and bleach safe for the fabric. For acetate, sponge with a nonflammable fabric cleaner. If stain remains, bleach with 3% hydrogen peroxide. Rinse. Rewash.

Ink or ballpoint pen ink

Pretreat using a prewash stain remover or dry cleaning solvent. Sponge stain continuously until all bleeding stops. Let dry. Repeat if necessary. Wash. If stain remains, bleach if safe for fabric.

NOTE: India and other indelible inks are almost impossible to remove completely.

Iron or rust

Colored or non-colorfast items: Apply lemon juice and salt. Place in the sun to dry. Rinse thoroughly. Repeat if necessary.

White or colorfast items: Try a rust remover. Test first on inside seam or hem. Some rust removers are not washer safe. Follow package directions.

Ketchup or tomato products

Sponge immediately with a nonflammable fabric cleaner or apply a prewash soil and stain remover. Rinse. Wash. If stain remains, apply a liquid detergent to stain or soak in warm water with an enzyme presoak. Rewash.

Lipstick

Apply nonflammable fabric cleaner or prewash soil and stain remover. Blot with absorbent material. Repeat if necessary. Rinse. If stain still remains, rub with liquid detergent. Wash.

Meat juice or egg

Scrape off excess with a dull knife. Soak in cold or warm water with enzyme presoak at least 30 minutes, or treat stains with a nonflammable fabric cleaner. Wash.

Mildew

Wash in hottest water safe for fabric. If stain remains, soak in warm water and a color-safe bleach for 15 to 30 minutes. Rewash. (Old mildew stains are almost impossible to remove. Mildew fungus destroys or weakens fabrics.) An alternative to bleach is to treat with salt and lemon juice and dry in direct sunlight. Rinse and rewash. Mildew may form if wet or damp laundry remains in your washer for extended periods of time. To prevent mildew, promptly dry laundry after washing.

Mustard

Treat immediately. Scrape off excess mustard. Sponge with a nonflammable fabric cleaner or a prewash soil and stain remover. Rinse. Work liquid detergent and a few drops of vinegar into stain. Rinse. If stain remains, apply 3% hydrogen peroxide. Rinse and wash.

Paint

Hand wash paint-stained items.

Water base: Treat stains while still wet. (These paints cannot be removed after they have dried.) Rinse in warm water to flush out paint. Sponge with a nonflammable fabric cleaner. Rinse. Wash.

Oil base: Scrape off fresh paint. Sponge with a nonflammable fabric cleaner. While stain is still wet with solvent, rub liquid detergent into it. Wash with hottest water safe for fabric.

Perspiration

Remove stains before ironing. Perspiration stains may weaken fabric. Wash or sponge stain thoroughly with detergent and warm water. If perspiration has changed the color of the fabric, use one of the following treatments:

Fresh stains: Apply ammonia to stain. Rinse. Launder to remove ammonia odor.

Old stains: Apply white vinegar to stain. Rinse. Launder to remove vinegar odor.

Scorch

Severe scorch cannot be removed. Wet stain with 3% hydrogen peroxide. Cover with a dry cloth and press with an iron as hot as is safe for the fabric. Rinse well. Wash.

OR

Wet with lemon juice and spread in the sun to dry. Wash.

Soft drinks

Sponge immediately with cold water. Heat and detergent may set stain.

CARING FOR YOUR LAUNDRY CENTER

This section explains how to care for your laundry center properly and safely.

for your Benefit

Proper care of your laundry center can extend its life and help you avoid costly service calls.

CLEANING YOUR WASHER

EXTERIOR

Wipe up detergent, bleach, and other spills with a soft, damp cloth or sponge as they occur. Occasionally wipe the outside of the washer to keep it looking like new.

Do not put sharp or metal objects in your washer. They can damage the finish. Check all pockets for pins, clips, money, bolts, nuts, etc. Do not lay these objects on your laundry center after emptying pockets.

INTERIOR

Clean interior with 1 cup of chlorine bleach mixed with 2 cups of detergent. Run washer through a complete cycle using hot water. Repeat process if necessary.

NOTE: Remove hard water deposits using only cleaners labeled as washer safe.

WATER INLET HOSES

Replace inlet hoses after five years of use to reduce the risk of hose failure. Periodically inspect and replace inlet hoses if you find bulges, kinks, cuts, wear, or leaks. When replacing your inlet hoses, mark the date of replacement on the label with a permanent marker.

CLEANING YOUR DRYER

EXTERIOR

Use a soft, damp cloth to clean the cabinet and console. Avoid using harsh abrasives. Do not put sharp metal objects on or in your dryer. They can damage the finish.

INTERIOR

⚠ WARNING



Explosion Hazard
Use nonflammable cleaners.
Failure to do so can result in death, explosion, fire, or burns.

Garments that contain unstable dyes, such as denim blue jeans or brightly colored cotton items, may discolor the drum interior.

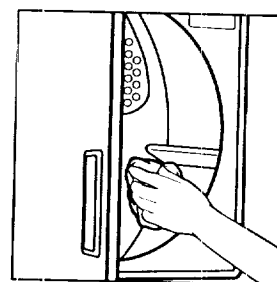
To clean dryer drum:

STEP 1. Make a paste with detergent and very warm water and apply to a soft cloth. Continue with STEPS 2-4.

or

STEP 1a. Spray nonflammable liquid household cleaner on the stained area. Continue with STEPS 2-4.

STEP 2. Scrub area until all excess dye is removed.



STEP 3. Wipe thoroughly with a damp cloth.

STEP 4. Tumble a load of clean towels for 20 minutes to dry.

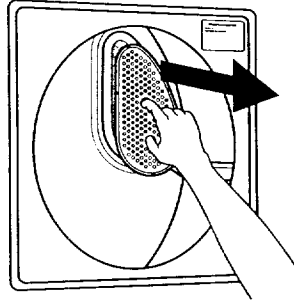
CLEANING THE LINT SCREEN

Remove Lint Before Every Load

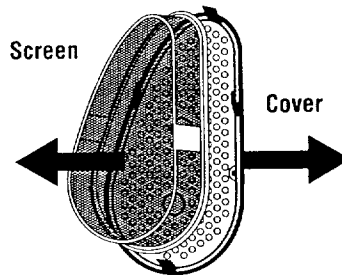
The lint screen is located on the back wall of your dryer. Clean it before every load. A screen blocked by lint can increase drying time.

To clean:

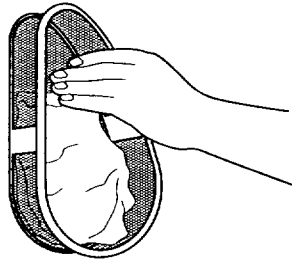
STEP 1. Pull out the lint screen and its cover.



STEP 2. Separate the cover and the screen by squeezing the screen and pulling on the cover at the same time.



STEP 3. Roll lint off the screen with your fingers. Do not rinse or wash screen to remove lint. Wet lint is hard to remove.



STEP 4. Put the lint screen and cover back together and push firmly back into place.

IMPORTANT:

- Do not run the dryer with the lint screen loose, damaged, blocked, or missing. Doing so can cause overheating and damage to both the dryer and fabrics.
- Some towels made of synthetic fibers and natural fibers (polyester and cotton blends) may shed more lint than other towels, causing your dryer's lint screen to fill up faster. Be sure to remove lint from the lint screen before and after drying new towels.

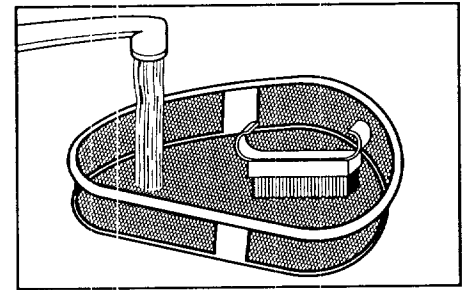
Wash Lint Screen As Needed

Laundry detergents and fabric softeners can cause a residue buildup on the lint screen. Wash the lint screen with a nylon brush if it becomes clogged due to a residue buildup.

To clean:

STEP 1. Wet both sides of lint screen with hot water.

STEP 2. Wet a nylon brush with hot water and liquid detergent; scrub lint screen with the brush to remove residue buildup.



STEP 3. Rinse screen with hot water.

STEP 4. Thoroughly dry lint screen with a clean towel; replace in dryer.

CHECKING FOR AIR FLOW OBSTRUCTION

From time to time, you may find it helpful to check your laundry center and exhaust system for proper air flow. Poor air flow can result in longer drying times.

To check for air flow obstruction:

STEP 1. Check to ensure nothing is blocking ventilation slots on laundry center rear panel.

STEP 2. Inspect exhaust hood. It should not be blocked or obstructed.

REMOVING ACCUMULATED LINT

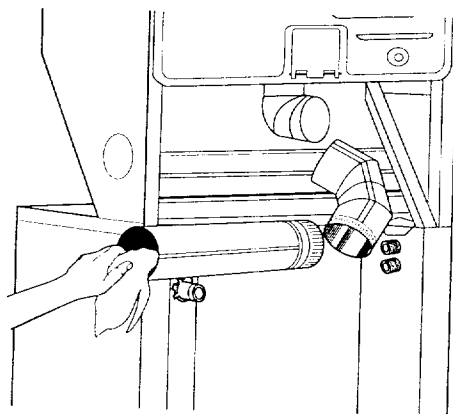
Lint can gather inside the exhaust vent or dryer and be fuel for a fire. Lint should be removed every 2 to 3 years, or more often, depending on dryer usage. Cleaning should be done by a qualified service person.

To remove accumulated lint from exhaust vent:

STEP 1. Disconnect exhaust vent from the laundry center.

STEP 2. Clean one section of vent at a time until you reach the exhaust hood. To clean out lint, you can use the hose attachment on your vacuum or, use a pole or wire with a feather duster or rag attached.

STEP 3. Reconnect vent as described in the "INSTALLATION INSTRUCTIONS" of this Owner's Manual.



To remove accumulated lint from inside the dryer:

⚠ WARNING

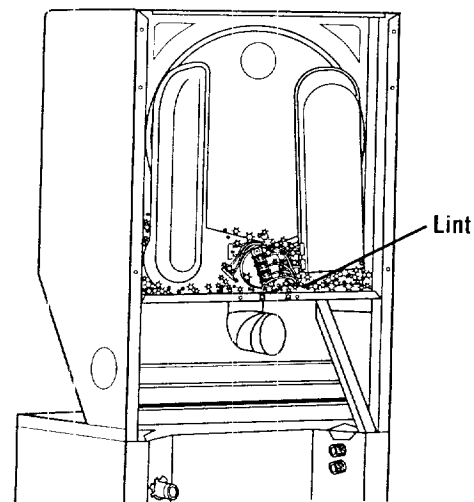


Electrical Shock Hazard
Disconnect power before cleaning.
Replace all panels before operating.
Failure to follow these instructions can result in death or electrical shock.

STEP 1. Disconnect power.

STEP 2. Remove back panel by removing the screws along the frame.

STEP 3. Remove lint from the dryer base with dusting brush or vacuum cleaner attachment. Avoid damaging wires or electric thermostats.



STEP 4. Replace back panel; reconnect and level laundry center again, if necessary.

WINTER STORAGE

Install and store your laundry center where it will not freeze. Because some water may stay in the hoses, freezing can damage your laundry center. If storing or moving your laundry center during freezing weather winterize it.

To winterize laundry center:

1. Shut off both water faucets.
2. Disconnect and drain water inlet hoses.
3. Put 1 quart of R.V.-type antifreeze in the basket.
4. Run washer on a spin setting for about 30 seconds to mix the antifreeze and water. Some of the mixture will pump out while the washer spins.
5. Disconnect power.

To use laundry center again:

1. Flush water pipes and hoses.
2. Reconnect water inlet hoses.
3. Turn on both water faucets.
4. Reconnect power supply cord.
5. Run the washer through a complete cycle with 1 cup of detergent to clean out antifreeze.

NON-USE OR VACATION CARE

Operate your laundry center only when you are at home. If you will be on vacation or not using your laundry center for an extended period of time, you should:

- Disconnect power.
- Turn off the water supply to the laundry center. This helps avoid accidental flooding (due to a water pressure surge) while you are away.
- Wash dryer lint screen.

MOVING CARE

- Disconnect power.
- Make sure leveling legs are secure.
- Use masking tape to secure washer lid and dryer door.

TROUBLESHOOTING – WASHER

Most laundering problems are easily solved if you understand the cause. Check these tables for common laundry

and washer problems. If you need further assistance, see page 68.

Problem	Possible Cause	Solution
Washer Leaks	Household plumbing is leaking.	Repair plumbing.
	Inlet hoses not tight.	Tighten hoses (see "INSTALLATION," Sections F & G).
	Inlet hose washers not properly seated.	Reseat washers (see "INSTALLATION," Section F).
	Drain hose not properly clamped or is off.	Clamp drain hose (see "INSTALLATION," Section E).
	Drain is clogged.	Remove drain clogs. Laundry tub, standpipe, or floor drain must be able to handle 17 gallons of water per minute.
	Tub moved forward during unloading, causing water to deflect off of tub ring.	Ensure tub is centered before starting washer.
	Laundry center not level causing water to deflect off of tub ring.	Ensure leveling legs are installed. Level laundry center (see "INSTALLATION," Section I).
	Load is unbalanced. Spray rinses are deflecting off of load.	Redistribute the load.
	Washer is overloaded. Fills or spray rinses are deflecting off of load.	Reduce load size.
Won't Drain/ Won't Spin/ Wet Loads	Drain hose is kinked or clogged.	Straighten or unplug hose (see "INSTALLATION," Section E).
	Correct operation of neutral drain.	After a wash or rinse, the washer will drain without spinning. After draining, the spinning begins.
	Lid is open.	Close the lid.
	Drain hose is more than 96 inches above floor.	Lower drain hose (see "INSTALLATION," Section E).
	Too much detergent – excessive sudsing.	Use less detergent.
	Wrong cycle for load being washed.	Choose a cycle with a higher spin speed (see "OPERATION").

Problem	Possible Cause	Solution
Won't Drain/ Won't Spin/ Wet Loads (cont'd)	Low voltage or using an extension cord.	Check electrical source or call electrician. Do not use an extension cord.
	Cold rinses.	Cold rinses leave loads wetter than warm rinses. This is normal.
Continues to Fill/ Continues to Drain/ Cycle Stuck	Drain hose is less than 39 inches above floor.	Raise the drain hose (see "INSTALLATION," Section E).
	Drain hose fits tightly into standpipe.	Adjust drain hose for loose fit (see "INSTALLATION," Section E).
	Drain hose taped into standpipe.	Do not seal off drain hose with tape. The drain hose needs an air gap.
Washer Makes Noise	Load is unbalanced.	Redistribute load.
	Laundry center is not level.	Level laundry center (see "INSTALLATION," Section I).
	Floor not strong enough to support laundry center.	Relocate laundry center (see "INSTALLATION," Section A).
	Gears engaging after drain and before spin.	This is normal.
	Upper part of agitator clicks during wash.	This is normal.
Won't Fill/ Won't Rinse/ Won't Agitate/ Wrong Temperature	Water inlet valve screens are plugged.	Clean screens.
	Water is turned off.	Turn on water.
	Hot and cold hoses are reversed.	Reverse hoses (see "INSTALLATION," Sections F & G).
	Inlet hose is kinked.	Straighten hoses.
	Timer dial is not lined up.	Turn timer knob to the right slightly and pull to start.
	Power cord not plugged in.	Plug in power cord.

Problem	Possible Cause	Solution
Machine Stops	Power cord not plugged in.	Plug in power cord.
	No power at plug.	Check electrical source or call electrician.
	Fuse blown or circuit breaker open.	Replace fuse or reset circuit breaker. If problem continues, call electrician.
	Using an extension cord.	Do not use an extension cord.
	Timer is not lined up.	Turn timer to the right slightly and pull to start.
	Timer knob not pulled out.	Set and pull out knob.
	Washer at pause in PERMANENT PRESS Cycle (approximately two minutes).	Allow cycle to continue (see "OPERATION").
	Machine is overloaded.	Wash smaller loads.
Agitator Not Working	The top of the agitator moves only in one direction.	This is normal.
	The top of the agitator is loose.	This is normal.
Water Level Too Low/Not Completely Filling	The top of the agitator is much higher than the highest water level. This creates a perception of the washer not being full.	This is normal.
Tub is Crooked	Tub pulled forward when unloading.	Ensure tub is centered before starting washer.
	Tub moves.	This is normal.
	Laundry center not level.	Ensure leveling legs are installed. Level laundry center (see "INSTALLATION," Section I).
Lint on Load	Improper sorting.	Sort lint givers from lint takers and by color.
	Overloading.	Lint can be trapped in load if overloaded. Wash smaller loads.
	Paper or tissue in pockets.	Clean out pockets before washing.
	Not enough detergent.	Use enough detergent to hold lint in water.
	Detergent not dissolving.	Use wash water warmer than 70°F.

Problem	Possible Cause	Solution
Tearing	Overloading. Improper use of washer.	Loads should move freely during wash. Wash smaller loads.
	Improper use of chlorine bleach. Undiluted bleach will damage fabrics.	Do not pour chlorine bleach directly on load. Wipe up bleach spills.
	Sharp items not removed from pockets; fasteners not fastened.	Clean out pockets before washing. Zip zippers before washing.
	Items damaged before washing.	Mend rips and broken threads in seams before washing.
Stains on Load	Improper use of fabric softener in washer or dryer.	Dilute fabric softener and add to deep rinse only.
	Iron in water (rust).	Install an iron filter.
	Under use of detergent causing soil to be redeposited.	Use enough detergent to remove soil and hold it in suspension.
	Dye transfer due to not sorting loads properly.	Sort dark clothing from whites and lights.
	Dye transfer due to not unloading washer promptly.	Unload the washer as soon as it stops.
Load is Wrinkled	Not removing load promptly.	Unload the washer as soon as it stops.
	Wrong cycle for fabrics being washed.	Use cold rinses and cycles with slow spin speeds to reduce wrinkling.
	Overloading.	Loads should move freely during wash. Wash smaller loads.
	Wash water not warm enough to relax wrinkles. Using warm rinses.	If safe for fabric, use warm or hot wash water. Use cold rinse water.
	Hoses reversed.	Reverse hoses (see "INSTALLATION," Sections F & G).
Load is Tangled/ Twisted	Overloading.	Loads should move freely during wash. Wash smaller loads.
	Clothes wrapped around agitator.	Do not wrap items around agitator when loading the washer.

TROUBLESHOOTING – DRYER

Problem	Possible Cause	Solution
Not Drying Satisfactorily	Lint screen is clogged with lint.	Clean lint screen.
	Restricted air movement. Exhaust vent or outside exhaust hood is clogged with lint.	Run dryer for 5-10 minutes. Hold hand under outside exhaust hood to check air movement. If you do not feel air moving, clean exhaust system of lint or replace exhaust vent with rigid or flexible heavy metal vent (see "INSTALLATION," Section J).
	Exhaust vent is crushed or kinked.	Replace with rigid or flexible heavy metal vent (see "INSTALLATION," Section J).
	One fuse is blown or circuit breaker is tripped. The dryer will appear to operate, but you will not get any heat.	Replace fuse or reset breaker.
	Timer or the temperature control is set on AIR DRY.	Select the right cycle for the types of garments being dried (see "OPERATION").
	Fabric softener sheets blocking outlet grill.	Use only one softener sheet per load and only use it once.
	Laundry center located in room with temperature below 45°F.	Move laundry center where it can operate in ambient air temperatures above 45°F.
	Large amount of moisture in the load.	Expect longer dry times with items that hold more moisture (cottons).
	Cold rinse water used.	Expect longer dry times, but you are saving energy and reducing wrinkles.
	Load too large and bulky to dry quickly.	Separate load to tumble freely.
Dryer Will Not Run	Power cord not firmly plugged into a live circuit with proper voltage.	Plug power cord into a live circuit.
	Fuses blown or circuit breakers tripped.	Replace fuses or reset breakers.
	Using a regular fuse.	Replace with a time-delay fuse.
	Dryer door not firmly closed.	Close dryer door tightly.
	PUSH TO START DRYER Button not firmly pressed.	Press PUSH TO START DRYER Button again.
	Controls not set in an ON position.	Reset controls in an ON position.

Problem	Possible Cause	Solution
Lint in Load	Lint screen is clogged.	Clean lint screen. Check for air movement.
	Improper sorting.	Sort lint givers from lint takers and by color.
	Load is too big or heavy.	Dry smaller loads so lint can be carried to the lint screen.
	Load is overdried.	Use correct dryer settings for fabric. Overdrying can cause lint-attracting static (see "OPERATION").
	Paper or tissue in pockets.	Clean out pockets before drying.
Stains on Load	Pilling being mistaken for lint.	Pilling (surface fuzz) is caused by normal wear and laundering.
	Improper use of fabric softener in washer.	Use fabric softener sheets in dryer. Add at beginning of cycle when load is cold.
Items Shrinking	Drying soiled items.	Items need to be clean before being dried.
	Overdrying.	Match dryer settings to fabric type (see "OPERATION").
	Poor garment quality.	Check quality of garment before purchasing.
Loads are Wrinkled	Manufacturer's care label instructions not followed.	Follow fabric care label instructions carefully.
	Overloading.	Dry smaller loads that can tumble freely.
	Overdrying.	Match dryer settings to fabric type (see "OPERATION").
Odors	Load left in dryer at the end of cycle.	Remove load as soon as tumbling stops.
	Household chemicals, paint, or varnish being drawn into dryer.	Do not use dryer while these chemical fumes are in the air.
Unusual Sounds	First use of dryer element (electric only).	Will be gone after the first cycle.
	Thumping of rollers when laundry center has set.	Thump will go away after 5 minutes of drying.

SEARS MAINTENANCE AGREEMENT

LAUNDRY CENTERS

"We Service What We Sell" is our assurance that you can depend on Sears for service. Your Kenmore Laundry Center has added value when you consider that Sears has service units nationwide, staffed with professional technicians trained on all appliances Sears sells. They have the knowledge and skills, tools, parts, and equipment to ensure our pledge to you that "We Service What We Sell."

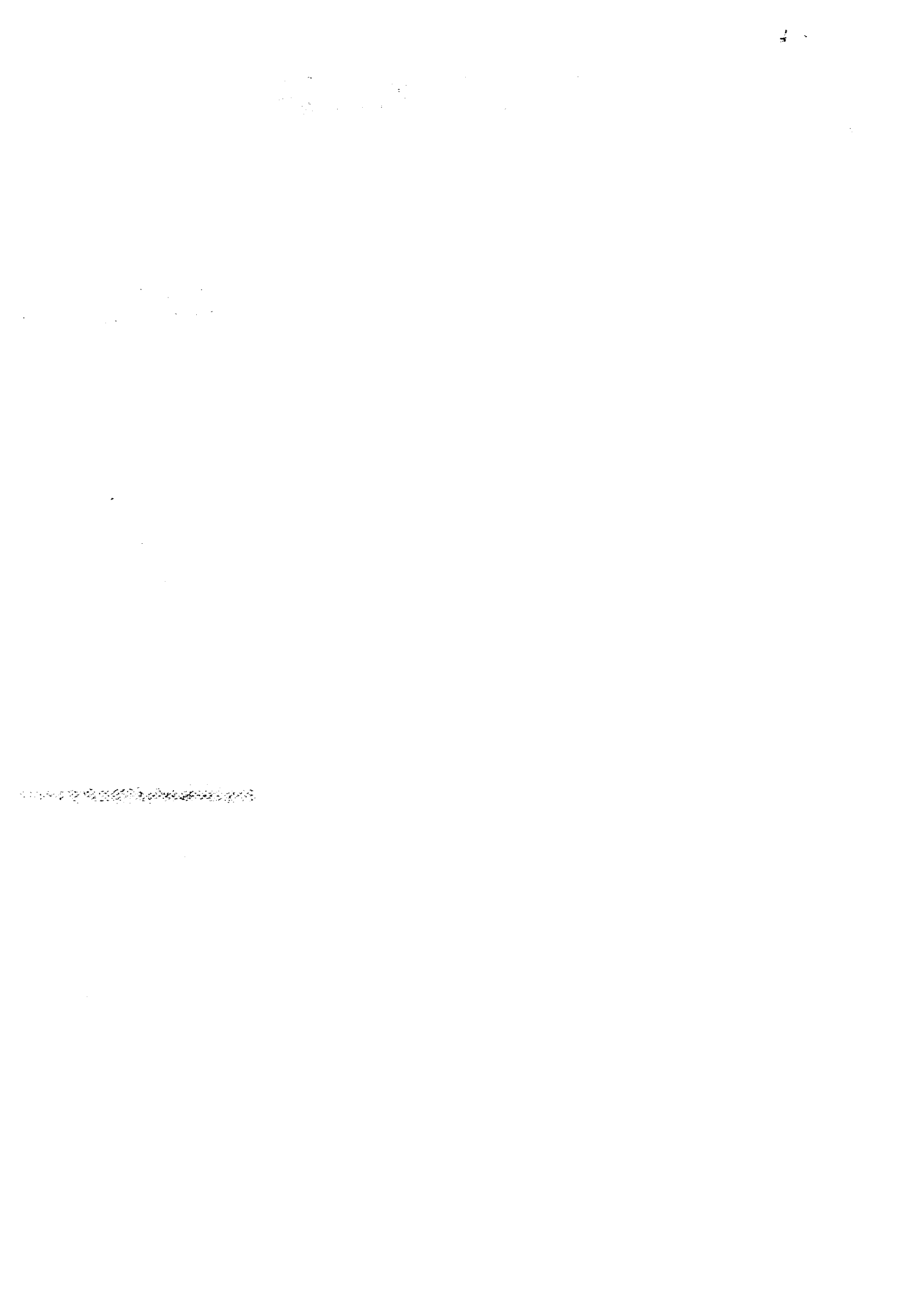
Sears Maintenance Agreement

Maintain the value of your Laundry System with a Sears Maintenance Agreement. Kenmore Laundry Centers are designed, manufactured, and tested for years of dependable operation. Yet any appliance may require service from time to time. The Sears Maintenance Agreement offers you an outstanding service program for your Kenmore Laundry Center.

The Sears Maintenance Agreement

- Is your way to buy tomorrow's service at today's prices.
- Eliminates repair bills resulting from normal use.
- Allows for as many service calls as required.
- Provides an annual Preventive Maintenance Check at your request to keep your laundry center in proper running condition.

**For more information,
call 1-800-827-6655.**

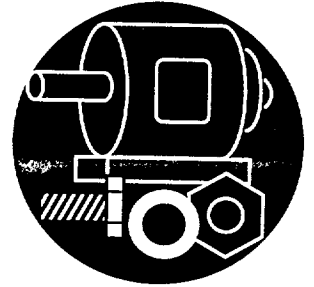


REQUESTING ASSISTANCE OR SERVICE

For the repair or replacement parts you need delivered directly to your home

Call 7 am - 7 pm, 7 days a week

1-800-366-PART
(1-800-366-7278)



For in-home major brand repair service

Call 24 hours a day, 7 days a week

1-800-4-REPAIR
(1-800-473-7247)



For the location of a Sears Parts and Repair Center in your area

Call 24 hours a day, 7 days a week

1-800-488-1222



For information on purchasing a Sears Maintenance Agreement or to inquire about an existing Agreement

Call 9 am - 5 pm, Monday - Saturday

1-800-827-6655



When requesting service or ordering parts, always give the following information:

- Product Name
- Part Name
- Model Number
- Part Number

SEARS
REPAIR SERVICES
America's Repair Specialists