

Installation Instructions

Hotpoint Compact Electric Ranges

Questions? Call 1.800.GE.CARES (1.800.432.2737) or visit www.GEAppliances.com

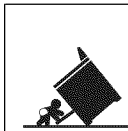
In Canada, call 1.800.561.3344 or visit www.GEAppliances.ca

BEFORE YOU BEGIN

Read these instructions completely and carefully.

- **IMPORTANT** — Save these instructions for local inspector's use.
- **IMPORTANT** — Observe all governing codes and ordinances.
- Note to Installer – Be sure to leave these instructions with consumer.
- Note to consumer – Keep these instructions for future reference.
- Skill level – Installation of this appliance requires a qualified installer or electrician.
- Proper installation is the responsibility of the installer.
- Product failure due to improper installation is not covered under warranty.

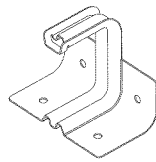
FOR YOUR SAFETY:



⚠ WARNING

Tip-Over Hazard

- A child or adult can tip the range and be killed.
- Install the anti-tip bracket to the wall or floor.
- Engage the range to the anti-tip bracket by sliding the range back such that the foot is engaged.
- Re-engage the anti-tip bracket if the range is moved.
- Failure to do so can result in death or serious burns to children or adults.



Anti-Tip Bracket
Kit Included

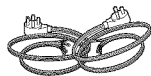
⚠ WARNING — Before beginning the installation, switch power off at service panel and lock the service disconnecting means to prevent power from being switched on accidentally. When the service disconnecting means cannot be locked, securely fasten a prominent warning device, such as a tag, to the service panel.

If you did not receive an anti-tip bracket with your purchase, call 1.800.626.8774 to receive one at no cost. (In Canada, call 1.800.561.3344.) For installation instructions of the bracket, visit: www.GEAppliances.com. (In Canada, www.GEAppliances.ca.)

MATERIALS YOU MAY NEED



Squeeze Connector
(For Conduit
Installations Only)



(UL Listed 40 AMP)
4-Wire Cord 4' long OR
3-Wire Cord 4' long

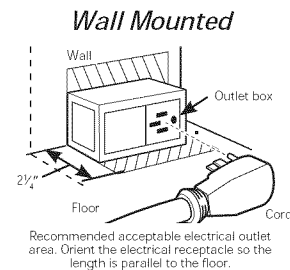
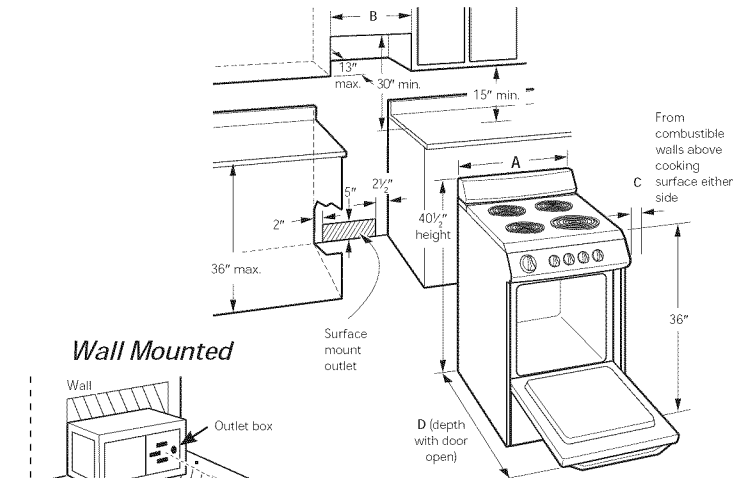
TOOLS YOU WILL NEED

Drill with 1/8" Bit Tin Snips
Safety Glasses Tape Measure
Adjustable Wrench Pliers
Level 1/4" Nut Driver

1 REMOVE PACKAGING MATERIALS: Failure to remove packaging materials could result in damage to the appliance. Remove all packing parts from oven, racks, heating elements and drawer. Also, remove protective film and labels on the outer door, cooktop and control panel.

2 PREPARE THE OPENING (FOR INDOOR USE ONLY)

See illustrations for all rough-in and spacing dimensions. The range may be placed with 0" clearance (flush) at the back wall and side walls of the cabinet.



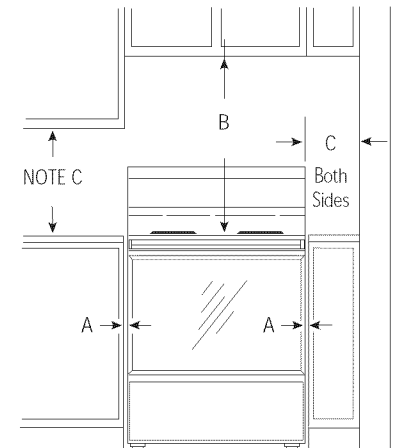
Recommended acceptable electrical outlet area. Orient the electrical receptacle so the length is parallel to the floor.

Models	A	B	C	D
20" Wide	20 1/3"	20 3/8"	2"	41"
24" Wide	24 1/3"	24 3/8"	2"	41"

NOTE: Use a 4' power cord to prevent interference with the storage drawer. Power cords 4 1/2' to 6' long may have to be dressed to allow for proper drawer closing.

MINIMUM DIMENSIONS BETWEEN COOKTOP, WALLS AND ABOVE THE COOKTOP:

- Make sure the wall covering, countertop, flooring and cabinets around the range can withstand the heat (up to 200°F) generated by the range.
- Allow 30" minimum clearance between surface units and bottom of unprotected wood or metal cabinet, or allow a 24" minimum when bottom of wood or metal cabinet is protected by no less than 1/4" thick flame retardant millboard covered with not less than No 28 MSG sheet metal, (.015"), .015" thick stainless steel, .024" aluminum or .020" copper.



C. This appliance has been approved for 0" spacing to adjacent surfaces above the cooktop. However, a 2" minimum spacing to surfaces less than 15" above the cooktop and adjacent cabinet is recommended to reduce exposure to steam, grease splatter and heat.

To reduce the risk of burns or fire when reaching over hot surface elements, cabinet storage space above the cooktop should be avoided. If cabinet storage space is to be provided above the cooktop, the risk can be reduced by installing a range hood that projects at least 5" beyond the front of the cabinets. Cabinets installed above the cooktop must be no deeper than 13".

3 ELECTRICAL REQUIREMENTS

▲WARNING: This appliance must be properly grounded.

▲WARNING: All new constructions, mobile homes, recreational vehicles and installations where local codes do not allow grounding through neutral, require a 4-conductor UL-listed range cord.

▲WARNING: To prevent fire or shock, do not use an extension cord with this appliance.

▲WARNING: To prevent shock, remove house fuse or open circuit breaker before beginning installation.

We recommend you have the electrical wiring and hookup of your range connected by a qualified electrician. After installation, have the electrician show you how to disconnect power from the range.

You must use a single-phase, 120/208 VAC or 120/240 VAC, 60 hertz electrical system. If you connect to aluminum wiring, properly installed connectors approved for use with aluminum wiring must be used.

Effective January 1, 1996, the National Electrical Code requires that new construction (not existing) utilize a 4-conductor connection to an electric range. When installing an electric range in new construction, mobile home, recreational vehicle, or an area where local codes prohibit grounding through the neutral conductor, refer to the section on four-conductor branch circuit connections.

Check with your local utilities for electrical codes which apply in your area. Failure to wire your oven according to governing codes could result in a hazardous condition. If there are no local codes, your oven must be wired and fused to meet the National Electrical Code, NFPA No. 70 – latest edition, available from the National Fire Protection Association.

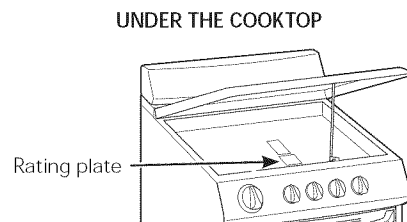
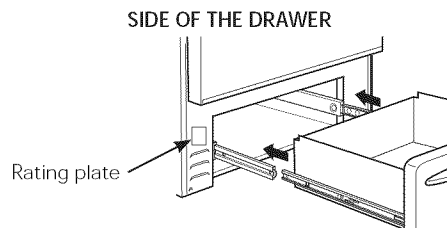
This appliance must be supplied with the proper voltage and frequency, and connected to an individual, properly grounded, 40 amp (minimum) branch circuit protected by a circuit breaker or time-delay fuse.

Use only a 3-conductor or a 4-conductor UL-listed range cord. These cords may be provided with ring terminals on wire and a strain relief device.

A range cord rated at 40 amps with 125/250 minimum volt range is required. A 50 amp range cord is not recommended but if used, it should be marked for use with nominal $1\frac{3}{8}$ " diameter connection openings. Care should be taken to center the cable and strain relief within the knockout hole to keep the edge from damaging the cable.

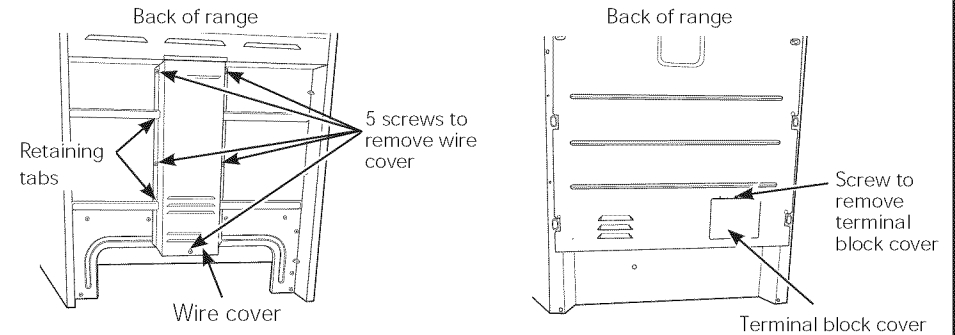
The rating plate is located on the side of the drawer frame or under the cooktop.

Note: Use of automatic, wireless or wired external switches that shut off power to the appliances, are not recommended for this product.

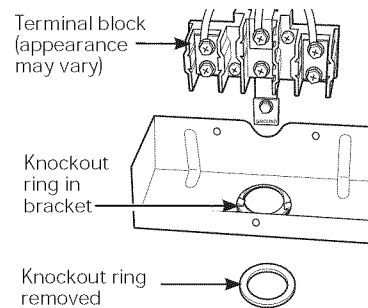


4 POWER CORD AND CONDUIT INSTALLATION

A Remove wire cover (on the back of range) by removing screws using a 1/4" nut driver. You can access the terminal block by either removing a terminal block cover (on some models) or the wire cover. Do not discard these screws.

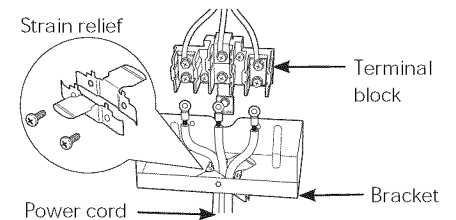


B For power cord and 1" conduit only, remove the knockout ring ($1\frac{3}{8}$ ") located on bracket directly below the terminal block. To remove the knockout, use a pair of pliers to bend the knockout ring away from the bracket and twist until ring is removed.

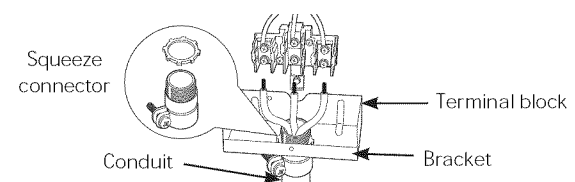


C For power cord installations only (see the next step if using conduit), assemble the strain relief in the hole. Insert the power cord through the strain relief and tighten. Allow enough slack to easily attach the cord terminals to the terminal block. If tabs are present at the end of the winged strain relief, they can be removed for better fit.

NOTE: Do not install the power cord without a strain relief. The strain relief bracket MUST be installed before reinstalling the rear range wiring cover.



D For 3/4" conduit installations only, purchase a squeeze connector matching the diameter of your conduit and assemble it in the hole. Insert the conduit through the squeeze connector and tighten. Allow enough slack to easily attach the wires to the terminal block. NOTE: Do not install the conduit without a squeeze connector. The squeeze connector MUST be installed before reinstalling the rear range wiring cover.



Proceed to step 5 or 6.

5 3-WIRE INSTALLATION (GROUND IS THROUGH THE NEUTRAL WIRE)

⚠WARNING: Shock Hazard

The neutral wire and ground strap must be connected as shown below for the range to be properly grounded. Do not remove the ground strap. Failure follow this instruction may result in potential shock hazard.

⚠WARNING: Fire hazard

Terminal block screws must be securely tightened. Failure to do so may result in potential fire hazard.

FOR POWER CORD INSTALLATION

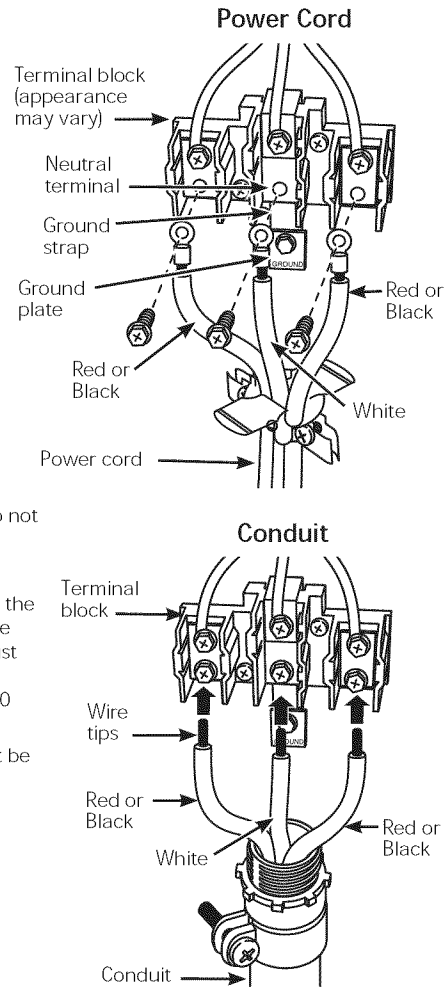
- Remove the 3 lower screws from the terminal block. Do not loosen the upper screws.
- Do not cut or remove the ground strap.
- Insert the 3 screws through each power cord terminal ring and back into the terminal block. Be certain the white wire is in the center. Securely tighten each screw (35 to 50 in-lbs.)

FOR CONDUIT INSTALLATION

- Loosen the 3 lower screws on the terminal block. Do not loosen the upper screws.
- Do not cut or remove the ground strap.
- Insert the bare wire tip (insulation stripped 5/8") into the bottom terminal block openings. Be certain the white wire is in the center. On certain models, the wire must be inserted through an opening in the ground strap. Securely tighten each screw onto each wire (35 to 50 in-lbs.).

NOTE: Aluminum building wire may be used but it must be rated for the correct amperage and voltage.

PROCEED TO STEP 7.



6 4-WIRE INSTALLATION (SEPARATE GROUND WIRE)

⚠WARNING: Shock Hazard

The neutral wire and ground strap must be connected as shown below for the range to be properly grounded. Do not remove the ground strap. Failure follow this instruction may result in potential shock hazard.

⚠WARNING: Fire hazard

Terminal block screws must be securely tightened. Failure to do so may result in potential fire hazard.

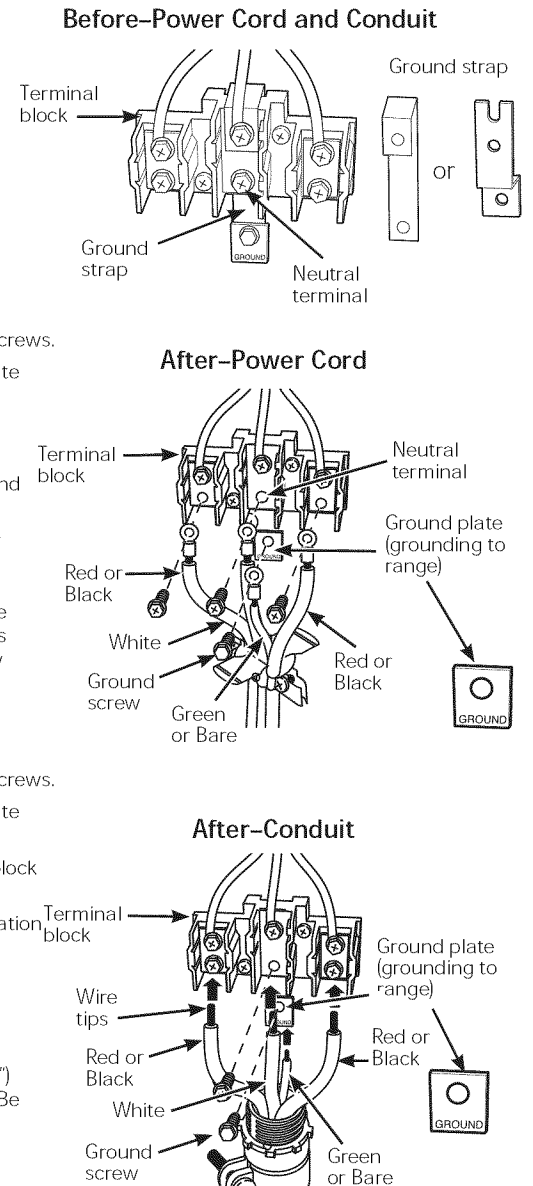
FOR POWER CORD INSTALLATION

- Remove the 3 lower screws from the terminal block. Do not loosen the upper screws.
- Remove the ground screw and ground plate and retain them.
- Cut the ground strap below the terminal block and discard the lower section.
- Insert the ground screw through the ground plate (removed earlier) and back into the range frame. Tighten securely, but do not over-tighten (15 to 20 in-lbs.)
- Insert the 3 terminal screws through each power cord terminal ring and back into the terminal block. Be certain the white wire is in the center. Securely tighten each screw (35 to 50 in-lbs.).

FOR CONDUIT INSTALLATION

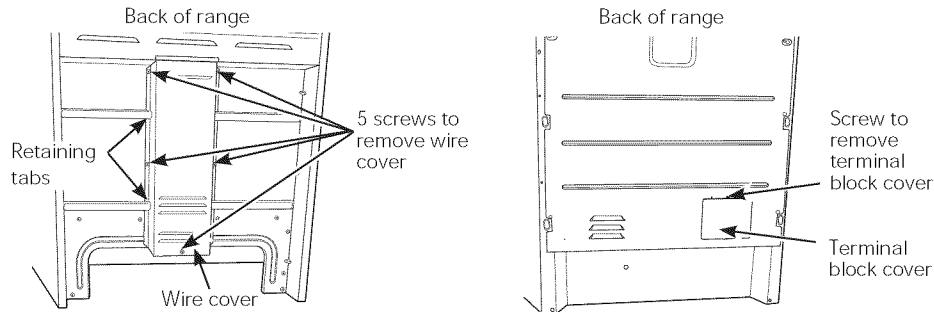
- Remove the 3 lower screws from the terminal block. Do not loosen the upper screws.
- Remove the ground screw and ground plate and retain them.
- Cut the ground strap below the terminal block and discard the lower section.
- Insert the bare ground wire tip (insulation stripped 5/8") between the range frame and the ground plate (removed earlier) and secure it in place with the ground screw. Tighten securely, but do not over-tighten (15 to 20 in-lbs.).
- Insert the wire tips (insulation stripped 5/8") into the bottom terminal block openings. Be certain the white wire is in the center. On certain models, the wire must be inserted through an opening in the ground strap. Securely tighten each screw onto each wire (35 to 50 in-lbs.).

NOTE: Aluminum building wire may be used but it must be rated for the correct amperage and voltage.




7 REPLACE THE WIRE COVER

Replace wire cover on range back by sliding its left edge under the retaining tabs and replace the screws removed earlier. Make sure that no wires are pinched between cover and range back.



8 ANTI-TIP DEVICE INSTALLATION



⚠ WARNING
Tip-Over Hazard

- A child or adult can tip the range and be killed.
- Install the anti-tip bracket to the wall or floor.
- Engage the range to the anti-tip bracket by sliding the range back such that the foot is engaged.
- Re-engage the anti-tip bracket if the range is moved.
- Failure to do so can result in death or serious burns to children or adults.

To reduce the risk of tipping the range, the range must be secured by a properly installed anti-tip bracket. See installation instructions shipped with the bracket for complete details before attempting to install.

To check if the bracket is installed and engaged properly, look underneath the range to see that the rear leveling leg is engaged in the bracket. On some models, the storage drawer or kick panel can be removed for easier inspection. If visual inspection is not

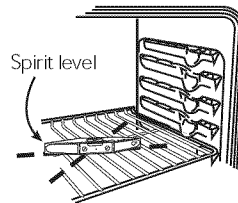
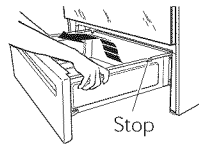
possible, slide the range forward, confirm the anti-tip bracket is securely attached to the floor or wall, and slide the range back so the leveling leg is under the anti-tip bracket. If the range is pulled from the wall for any reason, always repeat this procedure to verify the range is properly secured by the anti-tip bracket. Never completely remove the leveling legs or the range will not be secured to the anti-tip bracket.

9 LEVEL THE RANGE

⚠ WARNING: Never completely remove the leveling leg as the range will not be secured to the anti-tip device properly.

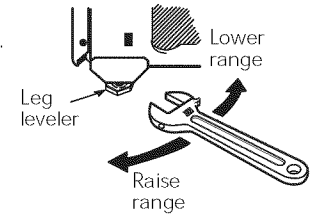
MODELS WITH STORAGE DRAWER OR KICK PANELS

- Plug in unit and slide into place. Pull drawer out until it stops.
- Lift front of drawer until the stops clear the guide. Remove the drawer.
- Install the oven shelves in the oven and position the range where it will be installed.
- Check for levelness by placing a spirit level on one of the oven shelves. Take two readings—with the level placed diagonally first in one direction and then the other.
- The front leveling legs can be adjusted from the bottom and the rear legs can be adjusted from the top or the bottom.
- Use an adjustable wrench to adjust the leveling legs until the range is level.



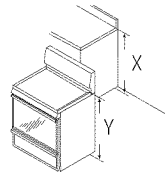
9 LEVEL THE RANGE (CONT.)

- Position cord so that it does not interfere with drawer. Place drawer rail on guides. Push the drawer in until it stops.
- Lift front of drawer and push in until the stops clear the guides.
- Lower the front of the drawer and push in until it closes.



MODELS WITH BAKING, WARMING DRAWERS OR DOUBLE OVEN

- Plug in the unit.
- Measure the height of your countertop at the rear of the opening (X).
- Adjust two rear leveling legs so that the rear of cooktop is at the same height as the counter (Y).
- Slide unit into place.
- Install oven shelves in the oven and position the range where it will be installed.
- Check for levelness by placing a spirit level on one of the oven shelves. Take two readings—with the level placed diagonally first in one direction and then the other.
- Adjust front leveling legs until the range is level.



10 FINAL INSTALLATION CHECKLIST

- Check to make sure the circuit breaker is closed (RESET) or the circuit fuses are replaced.
- Be sure power is in service to the building.
- Check that all packing materials and tape have been removed. This will include tape on metal panel under control knobs (if applicable), adhesive tape, wire ties, cardboard and protective plastic. Failure to remove these materials could result in damage to the appliance once the appliance has been turned on and surfaces have heated.
- Check that the door and drawer are parallel to each other and that both operate smoothly. If they do not, see the Owner's Manual for proper replacement.
- Check to make sure that the rear leveling leg is fully inserted into the Anti-Tip bracket and that the bracket is securely installed.

OPERATION CHECKLIST

- Turn on one of the surface units to observe that the element glows within 60 seconds. Turn the unit off when glow is detected. If the glow is not detected within the time limit, recheck the range wiring connections. If change is required, retest again. If no change is required, have building wiring checked for proper connections and voltage.
- Check that the Clock (on models so equipped) display is energized. If a series of horizontal red lines appear in the display, disconnect power immediately. Recheck the range wiring connections. If change is made to connections, retest again. If no change is required, have building wiring checked for proper connections and voltage. It is recommended that the clock be changed if the red lines appear.
- Be sure all range controls are in the OFF position before leaving the range.

Instrucciones de instalación Cocinas Eléctricas Compactas Hotpoint

¿Preguntas? Llamada 1.800.GE.CARES (1.800.432.2737) o visita www.GEAppliances.com
En Canadá, llame 1.800.561.3344 o visita www.GEAppliances.ca

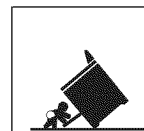
ANTES DE COMENZAR

Lea estas instrucciones por completo y con detenimiento.

- **IMPORTANTE** — Guarde estas instrucciones para el uso de inspectores locales.
- **IMPORTANTE** — Siga todos los códigos y ordenanzas vigentes.
- **Nota al instalador** — Asegúrese de dejar estas instrucciones con el consumidor.

- **Nota al consumidor** — Conserve estas instrucciones para referencia futura.
- **Nivel de destreza** — La instalación de este aparato debe efectuarla un instalador o electricista calificado.
- El instalador tiene la responsabilidad de efectuar una instalación adecuada.
- La garantía no cubre las fallas del producto debido a una instalación incorrecta.

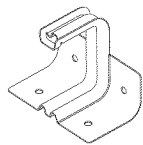
PARA SU SEGURIDAD



⚠ ADVERTENCIA

Riesgo de Caída

- Un niño o adulto pueden volcar la cocina y morir.
- Instale el soporte anti-volcaduras sobre la pared o el piso.
- Asegúrese la estufa al soporte anti-volcaduras deslizando la unidad hacia atrás de tal manera que la pata niveladora sea enganchada.
- Vuelva a adherir el soporte anti-volcaduras si la estufa se mueve de lugar.
- Si esto no se hace, se podrá producir la muerte o quemaduras graves en niños o adultos.



Kit de soporte anti-volcaduras incluido

Si no recibió un soporte anti volcaduras con su compra, llame al 1.800.626.8774 para recibir uno sin costo. (En Canadá, llame al 1.800.561.3344). Para recibir instrucciones de instalación del soporte, visite: GEAppliances.com (En Canadá, GEAppliances.ca).

⚠ **ADVERTENCIA** — Antes de comenzar la instalación, apague el encendido en el panel de servicio y bloquee el medio de desconexión del servicio a fin de evitar que el encendido se active de forma accidental. Cuando el medio de desconexión del servicio no se pueda bloquear, ajuste de manera segura un ítem de advertencia que esté bien visible, tal como una etiqueta, sobre el panel de servicio.

MATERIALES QUE PUEDE NECESITAR



Conector de presión
(Sólo para instalaciones con conductos portacables)



(Aprobados por UL de 40 AMP)
Cable de 4 alambres de 4' de largo O Cable de 3 alambres de 4' de largo

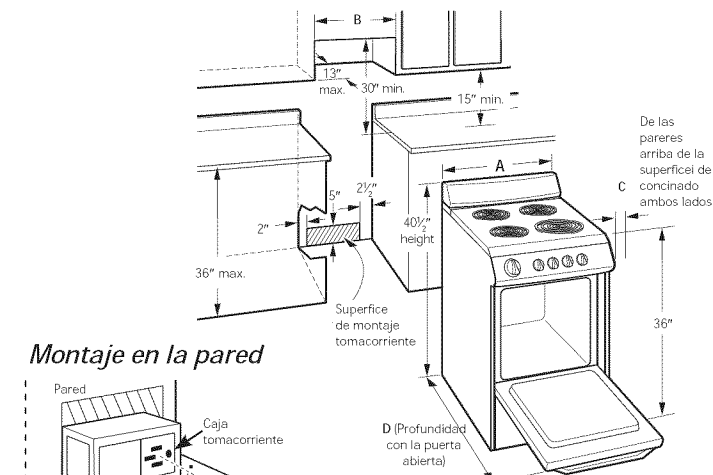
HERRAMIENTAS NECESARIAS

- | | |
|-------------------------------|--------------------------|
| Perforadora con broca de 1/8" | Tijeras para hojalata |
| Gafas de seguridad | Cinta métrica |
| Llave ajustable | Alicates |
| Nivel | Llave de tuercas de 1/4" |

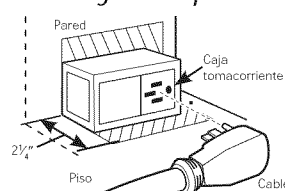
1 QUITÉ LOS MATERIALES DE ENVÍO: No quitar los materiales de empaque puede provocar daños al electrodoméstico. Quite todas las partes de empaque del horno, bandejas, elementos calentadores y cajón. También, quite la película protectora y las etiquetas de la puerta exterior, estufa y panel de control.

2 CÓMO PREPARAR LA ABERTURA (PARA USO EN EL INTERIOR SOLAMENTE)

Ver ilustraciones con todas las dimensiones de empotrado y de espacio. La cocina puede ubicarse con un espacio de 0" (alineado) sobre la pared trasera y las paredes laterales del gabinete.



Montaje en la pared



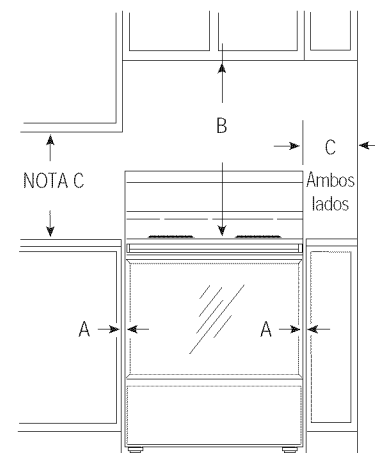
Área adecuada para tomacorriente eléctrico recomienda. Oriente el contacto de tal manera que el largo sea paralelo al piso.

Models	A	B	C	D
20" Ancho	20 1/3"	20 3/8"	2"	41"
24" Ancho	24 1/3"	24 3/8"	2"	41"

NOTA: Utilice un cable de energía de 4' para evitar una interferencia con el cajón de almacenamiento. Los cables de energía de 4 1/2' a 6' de largo pueden tener que cubrirse para poder cerrar el cajón correctamente.

DIMENSIONES MÍNIMAS ENTRE LA ESTUFA, LAS PAREDES Y SOBRE LA PARTE SUPERIOR DE LA ESTUFA:

- Verifique que el revestimiento de las paredes, el mostrador, el piso y los gabinetes ubicados alrededor de la cocina puedan soportar el calor (hasta 200°F) generado por la cocina.
- Deje un espacio de 30" como mínimo entre las unidades de superficie y la parte inferior de gabinetes de madera de metal sin protección o deje un mínimo de 24" cuando la parte inferior del gabinete de madera o metal se encuentre protegida por cartón aislante de un grosor no menor a 1/4" y con retardo de llama cubierto con una placa de metal no menor a MSG N° 28, acero inoxidable de un grosor de .015", aluminio de .024" o cobre de .020".



C. Este aparato ha sido aprobado para un espacio de 0" respecto de superficies adyacentes sobre la estufa. Sin embargo, se recomienda un espacio mínimo de 2" respecto de superficies menores a 15" sobre la estufa y gabinete adyacente para reducir la exposición al vapor, salpicaduras de grasa y calor.

Para reducir el riesgo de quemaduras o incendios cuando se incline sobre los elementos de superficie calientes, debe evitarse la instalación de espacios de almacenamiento en gabinetes sobre la estufa. Si debe contarse con espacio para almacenamiento en gabinetes sobre la estufa, puede reducirse el riesgo instalando una campana de cocina que sobresalga por lo menos 5" más allá del frente de los gabinetes. Los gabinetes instalados por encima de la estufa no deben tener una profundidad mayor a los 13".

3 REQUERIMIENTOS ELÉCTRICOS

▲ ADVERTENCIA: Esta unidad debe contar con una adecuada conexión a tierra.

▲ ADVERTENCIA: Todas las construcciones nuevas, casas rodantes, vehículos recreativos e instalaciones donde los códigos locales no permiten una conexión a tierra a través de un neutral requieren un cable para cocina de 4 conductores aprobado por UL.

▲ ADVERTENCIA: Para prevenir un incendio o descarga eléctrica, no utilice un cable de extensión con este aparato.

▲ ADVERTENCIA: Para prevenir una descarga eléctrica, quite el fusible o abra el interruptor de circuitos antes de comenzar la instalación.

Recomendamos que un electricista calificado conecte el cableado eléctrico y su cocina. Después de la instalación, solicite al electricista que le indique cómo desconectar la energía de la cocina.

Usted debe usar un sistema eléctrico de 60 hercios CA de fase única de 120/280 voltios o 120/240 voltios. Si tiene una conexión con cableado de aluminio, deben utilizarse conectores adecuadamente instalados para utilizar con cableado de aluminio.

Si el servicio eléctrico provisto no cumple con las especificaciones anteriores, haga que un electricista con licencia instale un tomacorriente aprobado.

Vigente desde el 1 de enero de 1996, el Código Eléctrico Nacional requiere que las nuevas construcciones (no existentes) utilicen una conexión de cuatro conductores a una cocina eléctrica. Cuando instale una cocina eléctrica en una nueva construcción, una casa rodante, un vehículo recreativo o un área donde los códigos locales prohíben la conexión a tierra a través de un conductor neutral, consulte la sección sobre conexiones en circuito derivado de cuatro conductores.

Consulte a las empresas de servicio público sobre los códigos eléctricos que se aplican en su área. No realizar el cableado de su horno de acuerdo con los códigos vigentes puede provocar una situación peligrosa. Si no existen códigos locales, su cocina debe contar con cables y fusibles que cumplan con los requisitos del Código Eléctrico Nacional, ANSI/NFPA No. 70-Última edición.

Este electrodoméstico debe recibir el voltaje y frecuencia adecuados, y debe conectarse a un circuito derivado individual con adecuada conexión a tierra de 40 amperios (mínimo) protegido por un interruptor de circuitos o fusible con retraso.

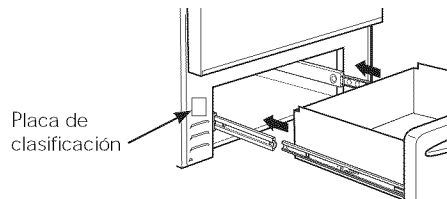
Utilice sólo un cable para cocinas de 3 o 4 conductores aprobado por UL. Estos cables pueden contar con terminales de anillo en alambre y un dispositivo de alivio de tensión.

Se requiere un cable para cocinas clasificado para 40 amperios con rango de voltios mínimo de 125/250. No se recomienda un cable de 50 amperios, pero si se utiliza, debe señalarse para usarse con aberturas de conexión de un diámetro nominal de 1-3/8". Debe tenerse cuidado al centrar el cable y el alivio de tensión dentro del orificio de expulsión para evitar que el borde dañe el cable.

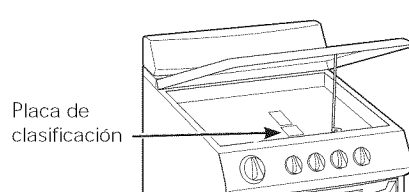
La placa de calificación está ubicada al costado del cajón o debajo de la placa de cocción.

Nota: No se recomienda para este producto el uso de interruptores automáticos, inalámbricos o con cableado externo que apaguen la corriente del electrodoméstico.

COSTADO DEL CAJÓN

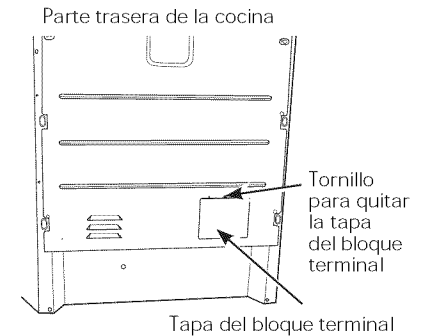
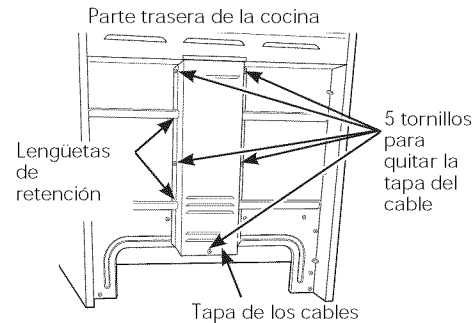


DEBAJO DE LA PLACA DE COCCIÓN

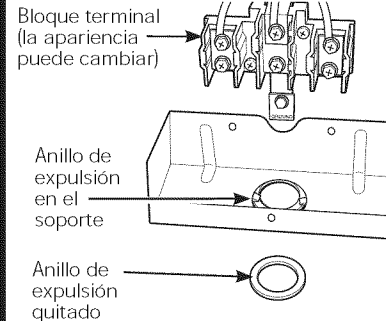


4 INSTALACIÓN DE CABLE DE ENERGÍA Y DE PASACABLES

A Quite la tapa del cable (en la parte trasera de la cocina) quitando tornillos mediante una llave de tuercas de 1/4". Usted puede acceder el bloque terminal quitando la tapa del bloque terminal (en algunos modelos) o la tapa de los cables. No elimine esos tornillos.

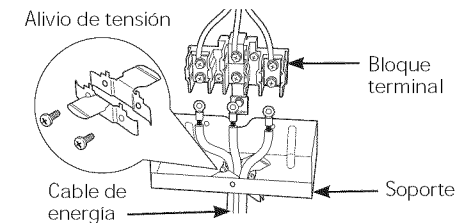


B Para cable de energía y pasacables de 1" solamente, quite el anillo de expulsión (1-3/8") ubicado en el soporte directamente debajo del bloque terminal. Para quitar el anillo, utilice un par de alicates para doblar el anillo de expulsión lejos del soporte y gire hasta remover el anillo.

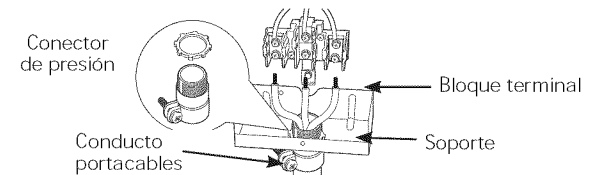


C Sólo para instalaciones de cable de energía (ver el paso siguiente si utiliza un conducto portacables), instale el alivio de tensión en el orificio. Introduzca el cable de energía a través del alivio de tensión y ajuste. Deje un largo suficiente para poder conectar las terminales de cable al bloque terminal. Si hay lengüetas al final del alivio de tensión con alas, éstas pueden quitarse para un ajuste mejor.

NOTA: No instale el cable de energía sin un alivio de tensión. El soporte del alivio de tensión DEBE instalarse antes de volver a colocar la tapa del cableado trasero de la cocina.



D Sólo para instalaciones con conducto portacables de 3/4", adquiera un conector de presión que se ajuste al diámetro de su conducto e instálelo en el orificio. Introduzca el conducto a través del conector de presión y ajuste. Deje un largo suficiente para poder pegar los cables al bloque terminal. NOTA: No instale el conducto sin un conector de presión. El conector de presión DEBE instalarse antes de volver a colocar la tapa del cableado trasero de la cocina.



SIGA CON EL PASO 5 O 6.

5 INSTALACIÓN DE TRES (3) ALAMBRES (LA CONEXIÓN A TIERRA SE REALIZA A TRAVÉS DEL CABLE NEUTRO)

⚠️ ADVERTENCIA: Riesgo de Descarga

El cable neutro y la cinta de conexión a tierra deben estar conectados como se muestra a continuación, de modo que la cocina esté correctamente conectada a tierra. No retire la cinta de conexión a tierra. Si no se siguen estas instrucciones, podrán existir riesgos de descarga eléctrica.

⚠️ ADVERTENCIA: Riesgo de incendio

Los tornillos del bloque terminal deben estar ajustados de forma segura. Si esto no se cumple, existen riesgos de incendio.

PARA INSTALACIÓN DE CABLE DE ENERGÍA

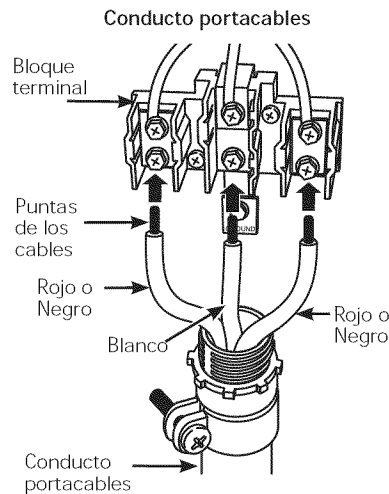
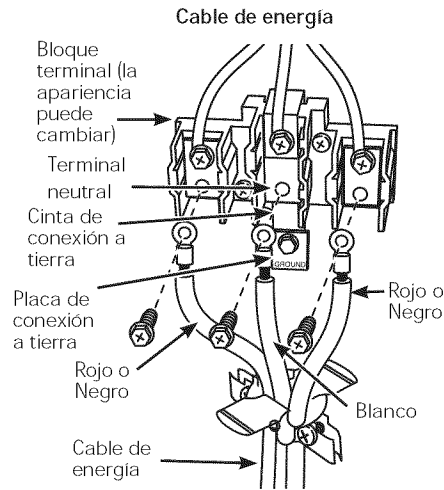
- Retire los 3 tornillos inferiores del bloque terminal. No afloje los tornillos superiores.
- No corte ni retire la cinta de conexión a tierra.
- Inserte los 3 tornillos a través de cada anillo terminal del cable de corriente y nuevamente al bloque terminal. Asegúrese de que el cable blanco se encuentre en el centro. Ajuste de forma segura cada tornillo (entre 35 y 50 pulgadas/libra).

PARA INSTALACIÓN DE CONDUCTO PORTACABLES

- Afloje los 3 tornillos inferiores del bloque terminal. No afloje los tornillos superiores.
- No corte ni retire la cinta de conexión a tierra.
- Inserte la punta del cable pelado (sin aislante de 5/8") en las aberturas inferiores del bloque terminal. Asegúrese de que el cable blanco se encuentre en el centro. En ciertos modelos, el cable deberá ser insertado a través de una abertura de la cinta de conexión a tierra. Ajuste de forma segura cada tornillo en cada cable (entre 35 y 50 pulgadas/libra).

NOTA: Puede utilizarse cable de construcción de aluminio pero debe clasificarse para el amperaje y voltaje correctos.

SIGA CON EL PASO 7.



6 INSTALACIÓN DE 4 ALAMBRES (CABLE DE CONEXIÓN A TIERRA SEPARADO)

⚠️ ADVERTENCIA: Riesgo de Descarga

El cable neutro y la cinta de conexión a tierra deben estar conectados como se muestra a continuación, de modo que la cocina esté correctamente conectada a tierra. No retire la cinta de conexión a tierra. Si no se siguen estas instrucciones, podrán existir riesgos de descarga eléctrica.

⚠️ ADVERTENCIA: Riesgo de incendio

Los tornillos del bloque terminal deben estar ajustados de forma segura. Si esto no se cumple, existen riesgos de incendio.

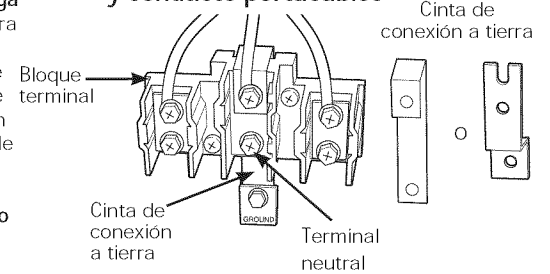
PARA INSTALACIÓN DE CABLE DE ENERGÍA

- Retire los 3 tornillos inferiores del bloque terminal. No afloje los tornillos superiores.
- Retire el tornillo de conexión a tierra y la placa de conexión a tierra y retenga los mismos.
- Corte la cinta de conexión a tierra que está debajo del bloque terminal, y descarte la sección inferior.
- Inserte el tornillo de conexión a tierra, a través de la placa de conexión a tierra (retirada anteriormente) y nuevamente en la estructura de la cocina. Ajuste de forma segura, pero sin ajustar en exceso (entre 15 y 20 pulgadas/libra).
- Inserte los 3 tornillos de la terminal a través de cada anillo terminal del cable de corriente y nuevamente al bloque terminal. Asegúrese de que el cable blanco se encuentre en el centro. Ajuste de forma segura cada tornillo (entre 35 y 50 pulgadas/libra).

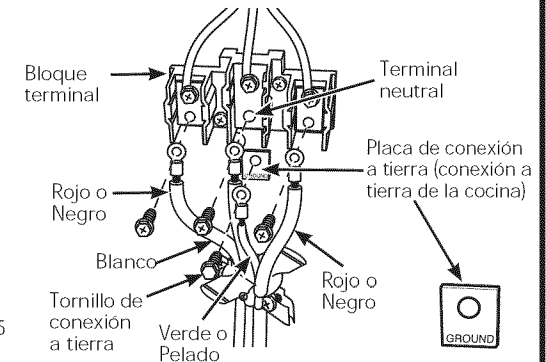
PARA INSTALACIÓN DE CONDUCTO PORTACABLES

- Retire los 3 tornillos inferiores del bloque terminal. No afloje los tornillos superiores.
- Retire el tornillo de conexión a tierra y la placa de conexión a tierra y retenga los mismos.
- Corte la cinta de conexión a tierra que está debajo del bloque terminal, y descarte la sección inferior.
- Inserte la punta del cable descubierto de conexión a tierra (sin aislante de 5/8") entre el marco de la cocina y la placa de conexión a tierra (retirada previamente) y asegure el mismo con el tornillo de conexión a tierra. Ajuste de forma segura, pero sin ajustar en exceso (entre 15 y 20 pulgadas/libra).
- Inserte las puntas de los cables (sin aislante de 5/8") en las aberturas inferiores del bloque terminal. Asegúrese de que el cable blanco se encuentre en el centro. En ciertos modelos,

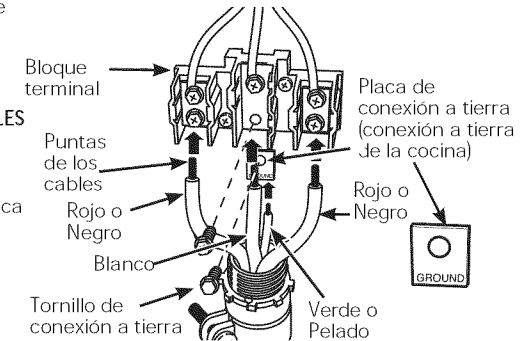
Antes—Cable de energía y conducto portacables



Después—Cable de energía



Después—Conducto portacables

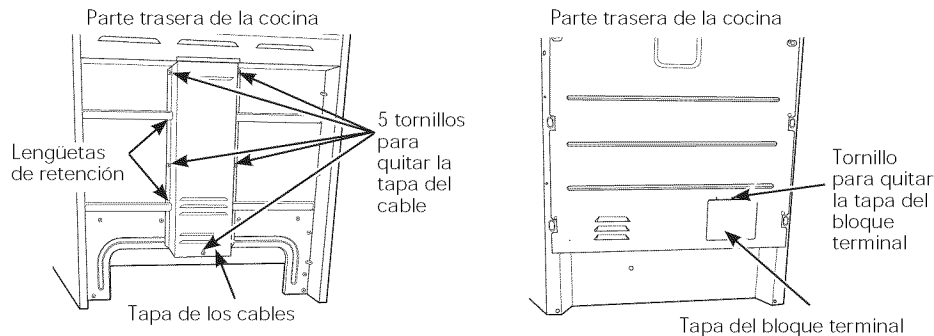


el cable deberá ser insertado a través de una abertura de la cinta de conexión a tierra. Ajuste de forma segura cada tornillo en cada cable (entre 35 y 50 pulgadas/libra).

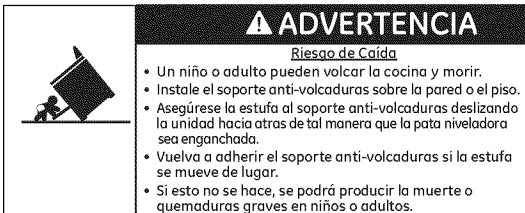
NOTA: Puede utilizarse cable de construcción de aluminio pero debe clasificarse para el amperaje y voltaje correctos para poder realizar la conexión.

7 REEMPLACE LA TAPA DE LOS CABLES

Reemplace la tapa de los cables de la cocina deslizando el lado izquierdo bajo las lengüetas de retención y reemplazando los cinco tornillos quitados anteriormente. Verifique que los cables no hayan sufrido pellizcos entre la tapa y la parte trasera de la cocina.



8 INSTALACIÓN DE DISPOSITIVO ANTI-VOLCADURAS



A fin de reducir el riesgo de inclinar la cocina, ésta deberá estar asegurada con un soporte anti volcaduras. Lea las instrucciones de instalación que se enviaron con el soporte para obtener un detalle completo antes de comenzar la instalación.

A fin de controlar que el soporte esté instalado y adosado correctamente, retire el cajón de almacenaje o la parte inferior delantera y observe debajo de la cocina que la pata niveladora esté adosada al soporte. En modelos que no poseen un cajón de almacenaje o parte inferior delantera,

incline con cuidado la cocina hacia adelante.

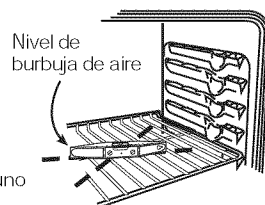
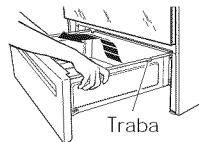
El soporte debería detener la cocina dentro de las cuatro pulgadas. De no ser así, el soporte deberá ser instalado nuevamente. Si la cocina es expulsada de la pared por alguna razón, siempre repita este procedimiento a fin de verificar que esté asegurado de forma correcta con un soporte anti volcaduras. Nunca elimine completamente las patas niveladoras, ya que de ser así la cocina no estará adecuadamente asegurada por el dispositivo anti volcaduras.

9 NIVELÉ LA COCINA

ADVERTENCIA: Nunca quite las patas de nivelación por completo ya que la cocina no quedará bien sujeta al dispositivo anti-volcaduras.

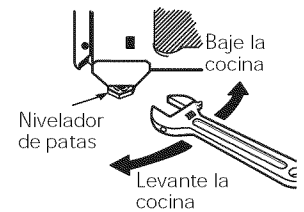
MODELOS CON CAJONES DE ALMACENAMIENTO O PANELES DE PROTECCIÓN

- Enchufe la unidad y deslicela en su lugar. Tire del cajón hacia fuera hasta que pare.
- Levante el frente del cajón hasta que las trabas superen las guías. Retire el cajón.
- Instale los estantes del horno en el horno y coloque la cocina en la ubicación donde se va a instalar.
- Controle la nivelación colocando un nivel de burbuja de aire sobre uno hornos. Haga dos lecturas—con el nivel ubicado en diagonal primero en una dirección y luego en la otra.
- Las patas de nivelación frontales pueden ajustarse desde la parte inferior y las patas traseras pueden ajustarse desde la parte superior o inferior.
- Utilice una llave ajustable para ajustar las patas niveladoras hasta que la cocina quede nivelada.



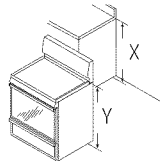
9 NIVELÉ LA COCINA (CONT.)

- Coloque el cable de modo que no interfiera con el cajón. Coloque el riel del cajón en las guías. Empuje el cajón hacia adentro hasta que pare.
- Levante el frente del cajón y empuje hasta que las trabas superen las guías.
- Baje el frente del cajón y empuje hacia adentro hasta que cierre.



MODELOS CON CAJONES DE HORNEADO O CALENTADORES U HORNO DOBLE

- Enchufe la unidad.
- Mida la altura de su mostrador de encimera en la parte trasera de la abertura (X).
- Ajuste las dos patas de nivelación traseras para que la parte trasera de la estufa se encuentre a la misma altura del mostrador (Y).
- Deslice la unidad en su lugar.
- Instale los estantes del horno en la unidad y coloque la cocina donde se instalará.
- Controle la nivelación colocando un nivel de burbuja de aire sobre uno de los estantes del horno. Haga dos lecturas—con el nivel ubicado en diagonal primero en una dirección y luego en la otra.
- Ajuste las patas de nivelación frontales hasta que la cocina quede nivelada.



10 LISTA DE CONTROL FINAL DE LA INSTALACIÓN

- Verifique que el interruptor de circuitos se encuentre cerrado (RESET) o que los fusibles del circuito se hayan reemplazado.
- Asegúrese de que se cuente con suministro eléctrico en el edificio.
- Controle que se haya quitado todo el material de empaque y la cinta. Esto incluye cinta sobre el panel de metal bajo las perillas de control (si corresponde), cinta adhesiva, ataduras de alambre, cartón y plástico protector. No quitar estos materiales puede provocar daños al electrodoméstico una vez que el aparato se haya encendido y las superficies se hayan calentado.
- Controle que la puerta y el cajón se encuentren paralelos y que los dos funcionen correctamente. Si no es así, consulte el Manual del propietario para un reemplazo adecuado.
- Controle que la pata de nivelación trasera esté bien introducida dentro del soporte anti-volcaduras y que el soporte se encuentre bien instalado.

LISTA DE CONTROL DE FUNCIONAMIENTO

- Accione una de las unidades de superficie para observar que el elemento se encienda dentro de los 60 segundos. Apague la unidad cuando se detecte el encendido. Si no se detecta el encendido dentro del límite de tiempo, vuelva a verificar las conexiones del cableado de la cocina. Si se requiere un cambio, vuelva a probar el aparato. Si no se requiere un cambio, haga controlar el cableado del edificio para verificar conexiones y voltaje adecuados.
- Controle que la pantalla del reloj (en modelos que lo incluyan) reciba energía. Si en la pantalla aparecen una serie de líneas rojas horizontales, desconecte la energía de inmediato. Vuelva a controlar las conexiones del cableado de la cocina. Si se efectúa un cambio en las conexiones, vuelva a probar el aparato. Si no se requiere un cambio, haga controlar el cableado del edificio para verificar conexiones y voltaje adecuados. Se recomienda cambiar el reloj si aparecen las líneas rojas.
- Asegúrese de que los controles de la cocina se encuentren en la posición OFF (apagado) antes de alejarse de la cocina.