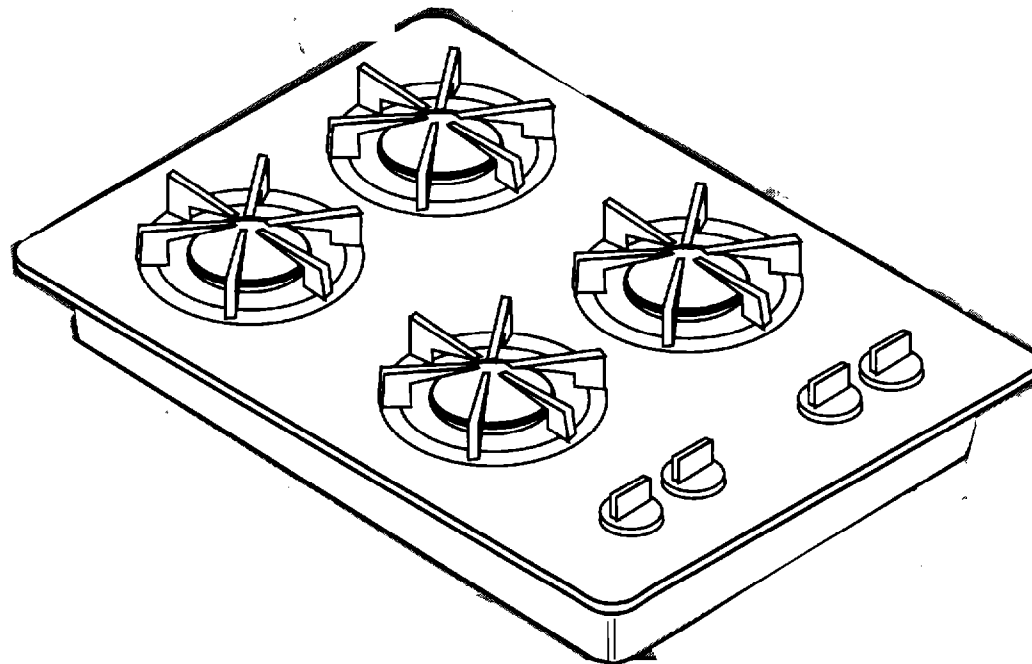


Installation Instructions



Part No. 8107P326-060/4381502 Rev. A

IMPORTANT:
Read and save
these instructions.

IMPORTANT:

Installer: Leave Installation Instructions with the homeowner.

Homeowner: Keep Installation Instructions for future reference.

Save Installation Instructions for local electrical inspector's use.

Note: This cooktop is manufactured for use with Natural gas. To convert for use with L.P./Propane gas, see Panel E.

**30" and 36" Gas
Sealed Burner
Cooktop**



Before you start...

Proper installation is your responsibility. Make sure you have everything necessary for correct installation. It is the responsibility of the installer to comply with the clearances specified on the model/serial rating plate. The model/serial rating plate can be found on the underside of the cooktop burner box.

Note: This cooktop is manufactured for use with Natural gas. To convert to L.P./Propane gas, see Panel E. Gas conversion kit is attached to bottom of cooktop.

This cooktop is not approved for use with downdraft vent systems.

Check location where cooktop will be installed. The location should be away from strong draft areas, such as windows, doors and strong heating vents or fans. The cooktop should be located for convenient use in the kitchen.

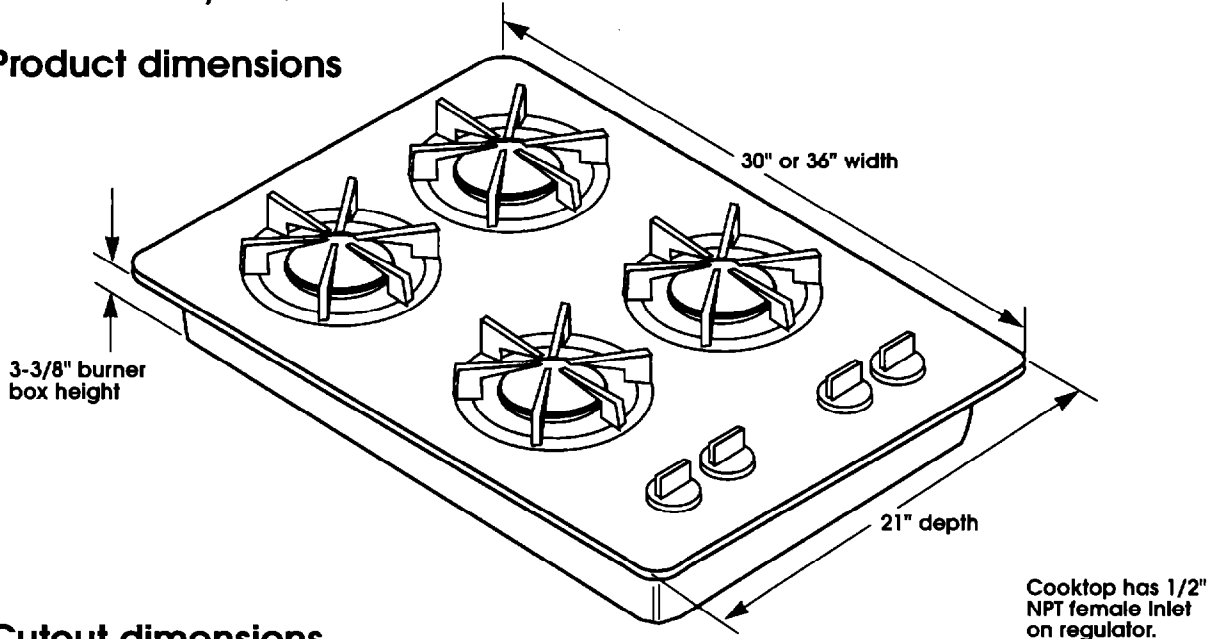
ALL OPENINGS IN THE FLOOR OR WALL WHERE COOKTOP IS TO BE INSTALLED MUST BE SEALED.

Grounded electrical outlet is required. See "Electrical requirements," Panel B.

Proper gas supply connection must be available. See "Gas supply requirements," Panel B.

Countertop opening dimensions that are shown must be used. Given dimensions provide 0" clearance.

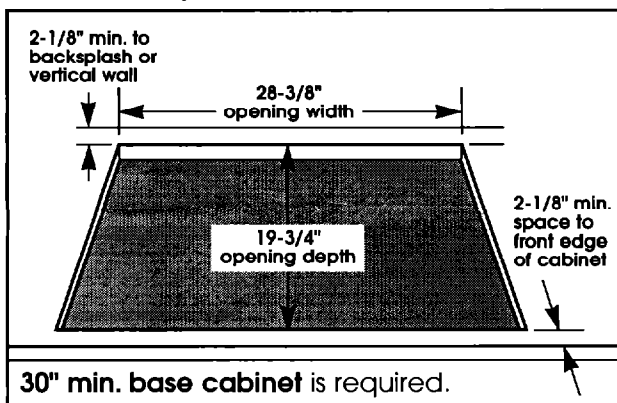
Product dimensions



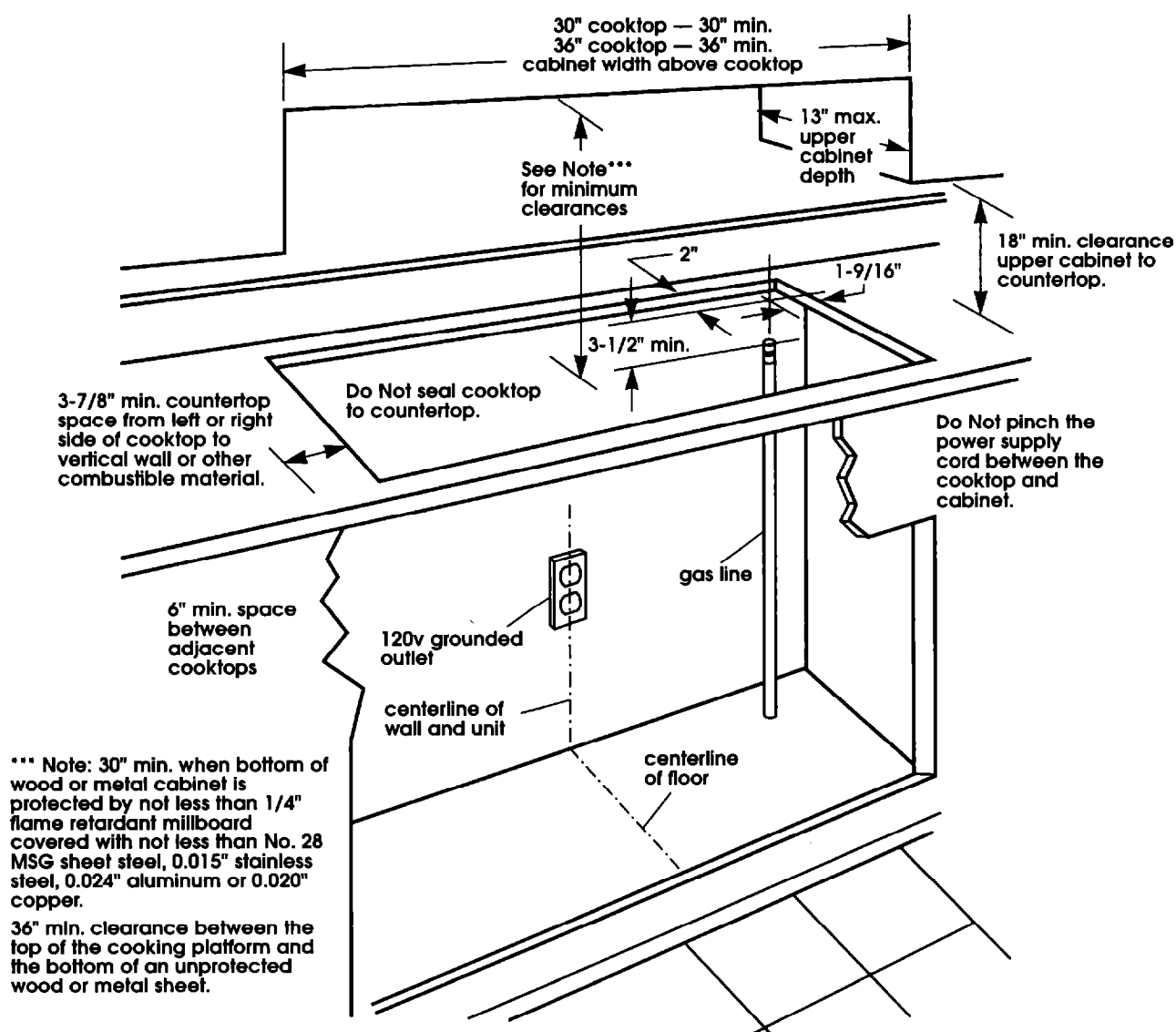
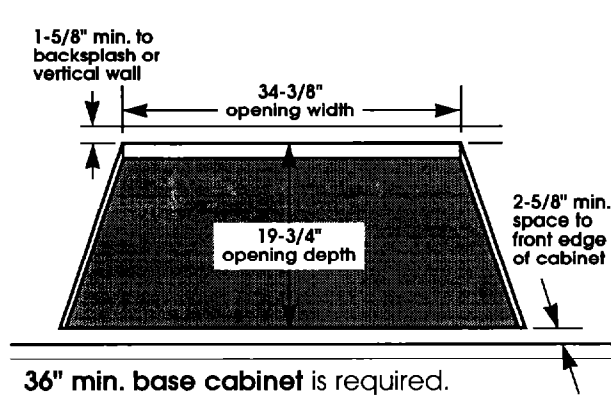
Cutout dimensions

If base cabinet has a drawer, a 4" depth clearance from the countertop to the top of the drawer (or other obstruction) in cabinet is required.

30" Cooktop



36" Cooktop



Panel A

Your safety and the safety of others is very important.

We have provided many important safety messages in this manual and on your appliance. Always read and obey all safety messages.



This is the safety alert symbol. This symbol alerts you to hazards that can kill or hurt you and others. All safety messages will be preceded by the safety alert symbol and the word "DANGER" or "WARNING". These words mean:

⚠ DANGER

You **will** be killed or seriously injured if you don't follow instructions.

⚠ WARNING

You **can** be killed or seriously injured if you don't follow instructions.

All safety messages will identify the hazard, tell you how to reduce the chance of injury, and tell you what can happen if the instructions are not followed.

WARNING: For your safety the information in this manual must be followed to minimize the risk of fire or explosion or to prevent property damage, personal injury or death.

— Do not store or use gasoline or other flammable vapors and liquids in the vicinity of this or any other appliance.

— **WHAT TO DO IF YOU SMELL GAS**

- Do not try to light any appliance.
- Do not touch any electrical switch; do not use any phone in your building.
- Clear the room, building or area of all occupants.
- Immediately call your gas supplier from a neighbor's phone. Follow the gas supplier's instructions.
- If you cannot reach your gas supplier, call the fire department.

— Installation and service must be performed by a qualified installer, service agency or the gas supplier.

When installing a cooktop under existing cabinets and the installation does not meet the minimum cabinet clearances, install a range hood above the cooktop to avoid burn hazards.

Important: Observe all governing codes and ordinances. Failure to meet codes and ordinances could lead to fire or electrical shock.

Mobile home installation

The installation of this cooktop must conform to the Manufactured Home Construction and Safety Standards, Title 24 CFR, Part 3280 (formerly the Federal Standard for Mobile Home Construction and Safety, Title 24, HUD Part 280); or when such standard is not applicable, the Standard for Manufactured Home Sites, Communities and Setups, ANSI A225.1/NFPA 501A — 1987, or latest edition, or with local codes.

Copies of the standards listed may be obtained from:

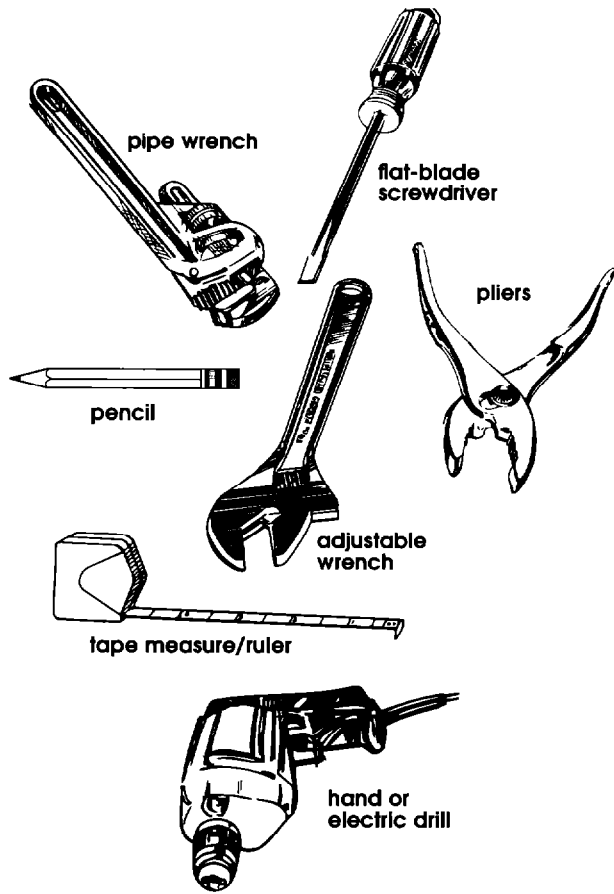
* National Fire Protection Association
Batterymarch Park
Quincy, Massachusetts 02269

** American Gas Association
1515 Wilson Boulevard
Arlington, Virginia 22209

Tools needed for installation:

- gas line shutoff valve
- L.P. gas resistant pipe-joint compound

- New A.G.A. design-certified flexible metal connector (4-5 feet)



Parts supplied for installation:

- 1/4" x 1/4" foam sealing strip
- 1/2" x 1/2" foam sealing strip
- 2 screws
- 2 clamps

Gas supply requirements

⚠ WARNING



Explosion Hazard

Use a new AGA approved gas supply line.

Failure to do so can result in death, explosion, or fire.

Observe all governing codes and ordinances.

Important: Cooktop must be connected to a regulated gas supply.

A. This installation must conform with local codes and ordinances. In the absence of local codes, installations must conform with American National Standard, National Fuel Gas Code ANSI Z223.1 — latest edition.**

B. Input ratings shown on the serial/rating plate are for elevations up to 2,000 feet. For elevations above 2,000 feet, ratings are reduced at a rate of 4% for each 1,000 feet above sea level.

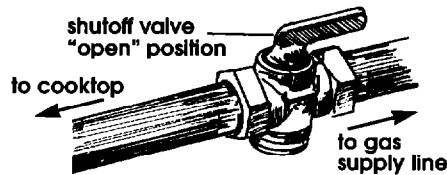
C. The cooktop is equipped for use with NATURAL gas. It is design-certified by the American Gas Association for NATURAL and L.P. gases with appropriate conversion. The serial/rating plate, located on the underside of the burner box, has information on the type of gas that can be used. If this information does not agree with the type of gas available, check with the local gas supplier. See Panel E for L.P. gas conversion instructions.

Panel B

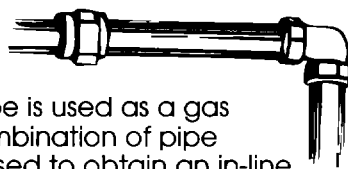
D. Provide a gas supply line of 3/4" rigid pipe to the cooktop location. A smaller size pipe on long runs may result in insufficient gas supply. Pipe-joint compounds, suitable for use with L.P. gas, must be used. With L.P. gas, piping or tubing size can be 1/2" minimum. L.P. gas suppliers usually determine the size and materials used on the system.



E. If local codes permit, a new A.G.A. design-certified, 4-5 foot long, 1/2" or 3/4" I.D., flexible metal appliance connector is recommended for connecting this cooktop to the gas supply line. Do Not kink or damage the flexible connector when moving the cooktop. A 1/2" male pipe thread is needed for connection to pressure regulator female pipe threads.



F. The supply line shall be equipped with an approved shutoff valve. This valve should be located in the same room as the cooktop and should be in a location that allows ease of opening and closing. Do Not block access to the shutoff valve.



G. If rigid pipe is used as a gas supply line, a combination of pipe fittings must be used to obtain an in-line connection to the cooktop. All strains must be removed from the supply and fuel lines so cooktop will be level and in line.

H. The regulator must be checked at a minimum 1-inch water column above the set pressure. The inlet pressure to the regulator should be as follows for operation:

NATURAL GAS:
Minimum pressure 4 inches W.C.
Maximum pressure 14 inches W.C.

L.P. GAS:
Minimum pressure 10 inches W.C.
Maximum pressure 14 inches W.C.

I. Line pressure testing:
Testing above 1/2 psi (14 inches W.C.) (gauge)

The cooktop and its individual shutoff valve must be disconnected from the gas supply piping system during any pressure testing of that system at test pressures greater than 1/2 psig (3.5kPa).

Testing at 1/2 psi (14 inches W.C.) (gauge) or lower

The cooktop must be isolated from the gas supply piping system by closing its individual manual shutoff valve during any pressure testing of the gas supply piping system at test pressures equal to or less than 1/2 psig (3.5kPa).

Electrical requirements

⚠ WARNING



Electrical Shock Hazard

Plug into a grounded 3-prong outlet.

Do not remove ground prong.

Do not use an adapter.

Failure to follow these instructions can result in death, fire, or electrical shock.

If codes permit and a separate grounding wire is used, it is recommended that a qualified electrician determine that the grounding path is adequate.

Check with a qualified electrician if you are not sure whether the cooktop is properly grounded.

Do Not ground to a gas pipe.

A 120-volt, 60-Hz, AC-only, 15-ampere, fused electrical supply is required. A time-delay fuse or circuit breaker is recommended. It is recommended that a separate circuit serving only this appliance be provided.

Electronic ignition systems operate within wide voltage limits, but proper grounding and polarity are necessary. In addition to checking that the outlet provides 120-volt power and is correctly grounded, the outlet must be checked by a qualified electrician to see if it is wired with correct polarity. A wiring diagram is provided in the literature package.

Recommended ground method

For your personal safety, this appliance must be grounded. This appliance is equipped with a power supply cord having a 3-prong ground plug. To minimize possible shock hazard, the cord must be plugged into a mating 3-prong, ground-type outlet, grounded in accordance with the National Electrical Code ANSI/NFPA 70- latest edition* and local codes and ordinances. If a mating outlet is not available, it is the personal responsibility and obligation of the customer to have a properly grounded, 3-prong outlet installed by a qualified electrician.

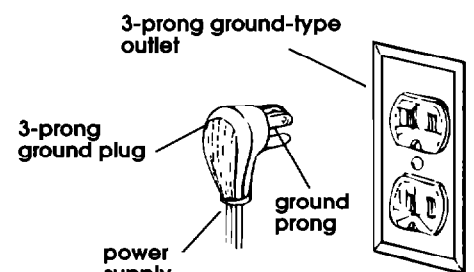


Figure 1

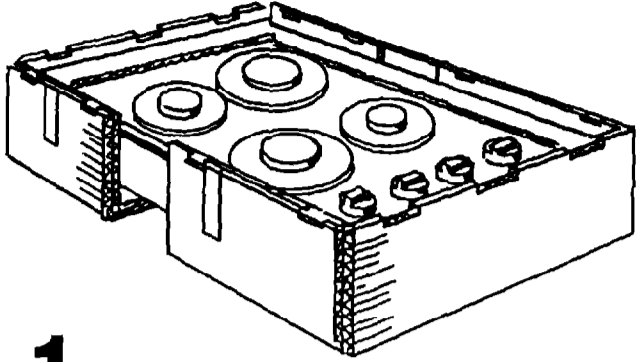
Copies of the standards listed above may be obtained from:

* National Fire Protection Association
Batterymarch Park
Quincy, Massachusetts 02269

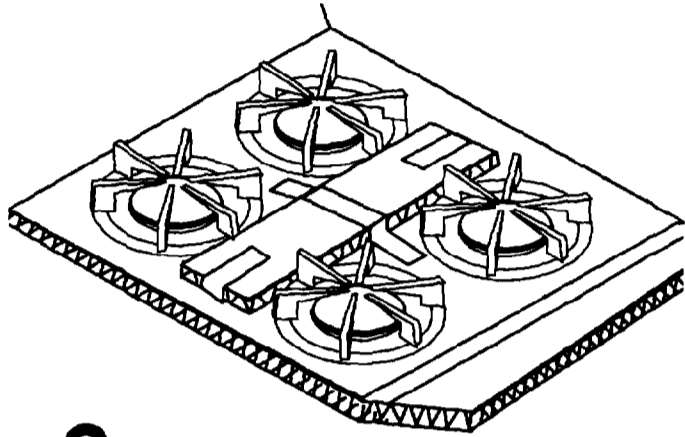
** American Gas Association
1515 Wilson Boulevard
Arlington, Virginia 22209

Now start...

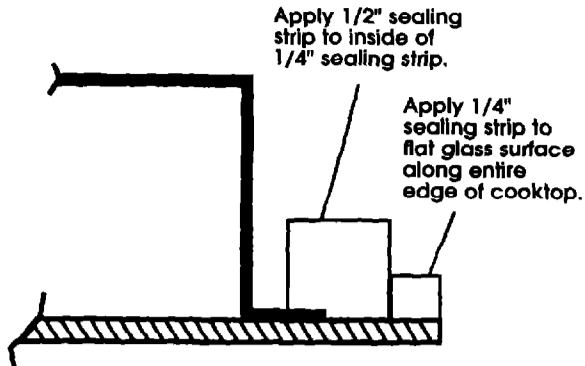
With cooktop in kitchen.



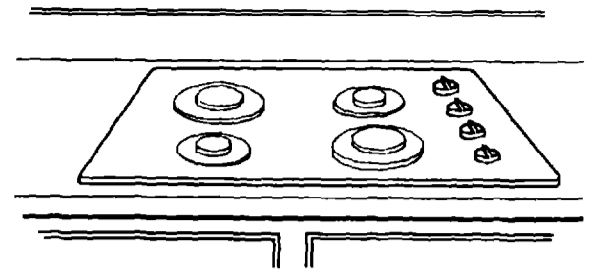
1. Remove the shipping materials and tape from the cooktop. Remove pressure regulator and hardware package from side of carton.



2. Remove cooktop, burner grates and caps package from shipping box.



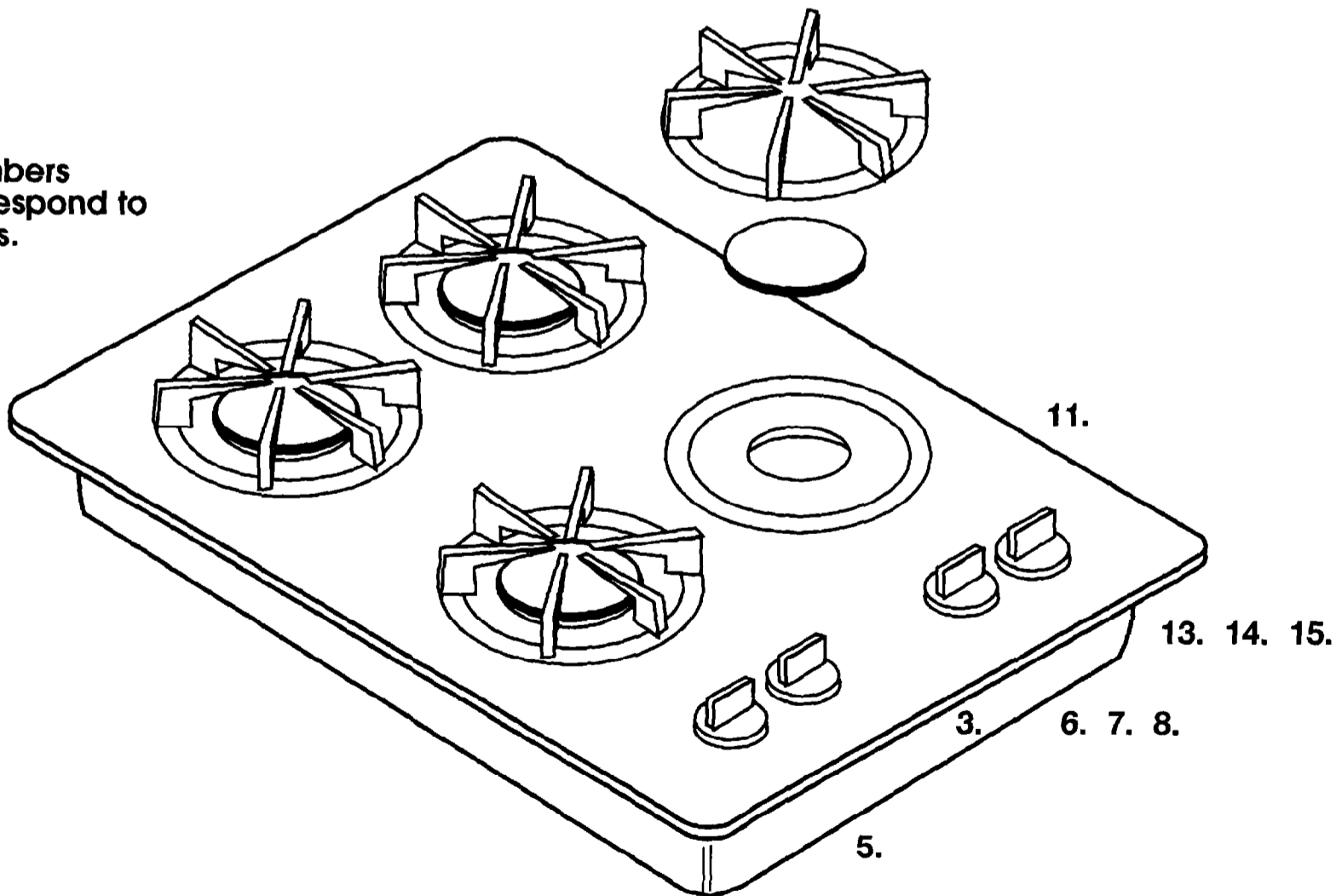
3. Place cooktop upside down on a soft pad, being careful not to scratch or damage the control knobs. Peel paper backing off the 1/4" sealing strip and apply sealing strip along the edge on the underside of the glass cooktop. Peel paper backing off the 1/2" sealing strip and apply it next to the 1/4" sealing strip along the underside of the glass cooktop.

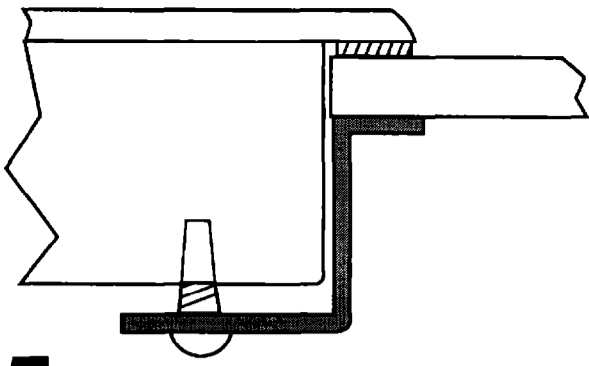


4. Insert cooktop in countertop cutout. Center the cooktop in the cutout. Check that front edge of cooktop is parallel with front edge of countertop. Check that all required clearances are met. If the cooktop is not properly positioned, lift the entire cooktop out of the opening to make adjustments so that the foam sealing strip can seal properly.

IMPORTANT: To avoid scratching the countertop, lift entire cooktop up from cutout when repositioning cooktop in countertop opening.

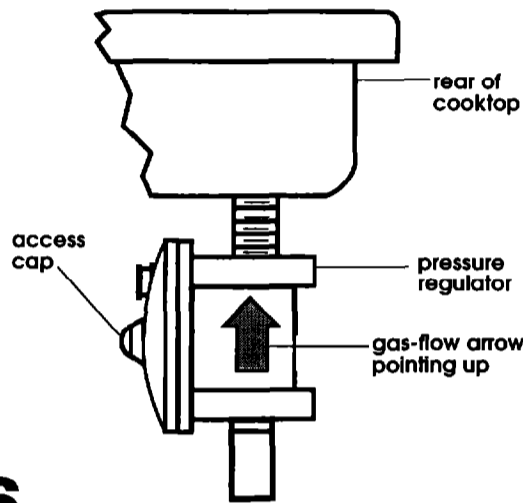
Numbers correspond to steps.





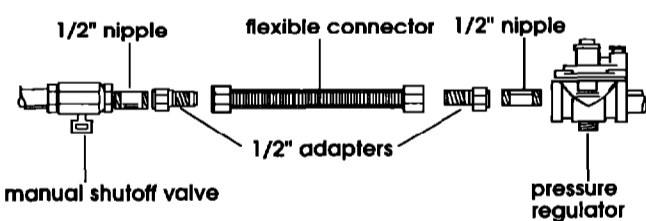
5. From inside the cabinet, position each clamp so that the hole in the clamp aligns with the hole in the burner box. Insert a screw into the hole and secure cooktop to countertop by hand-tightening each screw. **To avoid damaging cooktop surface, do not over-tighten screws.**

Note: If countertop is unusually thick, longer mounting screws can be used with the clamps to secure the cooktop to the countertop.



6. Install the pressure regulator with the arrow on the regulator pointing up toward unit and in a position where you can reach the access cap.

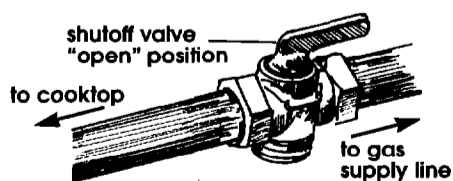
IMPORTANT: All connections must be wrench-tightened. Do Not make connections to the gas regulator too tight. Making the connection too tight may crack the regulator and cause a gas leak. Do Not allow the regulator to turn on the pipe when tightening fittings.



All connections must be wrench-tightened.

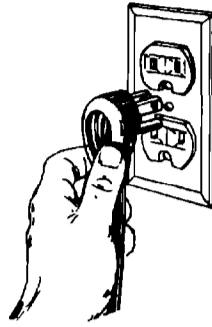
7. Assemble the flexible connector from the gas supply pipe to the pressure regulator in this order: 1/2" adapter, flexible connector, 1/2" adapter and 1/2" nipple.

8. Use pipe joint compound resistant to the action of Natural and L.P. gas to seal all gas connections. If flexible connectors are used, be certain connectors are not kinked.

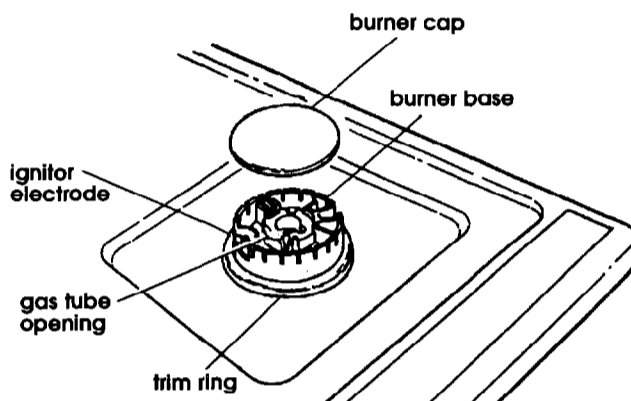


9. Open the shutoff valve in the gas supply line. Wait a few minutes for gas to move through the gas line.

10. Use a brush and liquid detergent to test all gas connections for leaks. Bubbles around connections will indicate a leak. If a leak appears, shut off gas valve controls and adjust connections. Then check connections again. **NEVER TEST FOR GAS LEAKS WITH A MATCH OR OTHER FLAME.** Clean all detergent solution from cooktop.



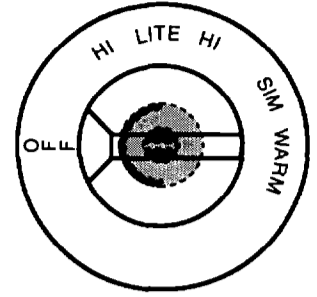
11. Plug the power supply cord into the grounded outlet.



12. Place trim rings over each burner. Find the two locating tabs under the burner cap and mount cap over the slots in the burner base. Place burner grates over burners and caps.

Electronic Ignition System — initial lighting

Cooktop burners use electronic ignitors in place of standing pilots. When the cooktop control knob turned to the "LITE" position, the system creates a spark to light the burner. This sparking continues until the control knob is turned to the desired setting.



13. Check the operation of the cooktop burners. Put a pan of water on each burner. Push in and turn each control knob to "LITE" position. The flame should light within 4 seconds. **Do Not leave the knob in the "LITE" position after burner lights.**

If burners do not light properly, turn control knobs to the "OFF" position. Check that power supply cord is plugged in and that circuit breaker or house fuse has not blown. Check that the shutoff valve is in the "ON" position. Check operation again. If a burner does not light at this point, contact your Whirlpool dealer for assistance.

Note: A correctly adjusted sealed gas burner may blow out when a pan is not on the burner.

14. After burner lights, turn control knob to "HI" position. Check each cooktop burner for proper flame. The small inner cone should have a very distinct blue flame 1/4" to 1/2" long, the outer cone is not as distinct as the inner cone.



15. Push in and turn each control knob to the "WARM" setting. The "WARM" flame should be a minimum, steady, blue flame and should extend to the other edge of the burner cap. A stable flame should be maintained when the control knob is changed from "HI" to "WARM". If flame needs adjusting, turn the control knob to the "HI" position for five minutes. Then turn the control knob back to the "WARM" position and remove the control knob. Use a screwdriver to turn the adjustment screw in the center of the valve stem. Replace the control knob. Check the adjustment by turning the control knob from "HI" to "WARM" several times. There is no adjustment to the "SIM" setting.

You have just finished installing your new Whirlpool cooktop. To get the most efficient use from your new cooktop, read your Whirlpool Use & Care Guide. Keep Installation

Congratulations

Instructions and Guide close to cooktop for easy reference. The instructions will make reinstalling your Whirlpool cooktop in another home as easy as the first installation.

L.P. gas conversion

IMPORTANT: All connections must be wrench-tightened. Do Not make connections to the gas regulator too tight. Making the connection too tight may crack the regulator and cause a gas leak. Do Not allow the regulator to turn on the pipe when tightening fittings.

⚠ WARNING



Electrical Shock Hazard
Disconnect power before converting to L.P. gas.
Failure to do so can result in death or electrical shock.

Converting to L.P. gas should be done by a qualified installer.

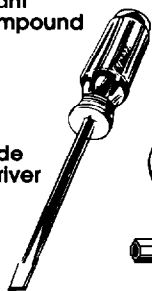
Important: Observe all governing codes and ordinances.

Failure to meet codes and ordinances could result in risk of fire or electrical shock.

Tools and materials needed for installation.

L.P. gas-resistant pipe-joint compound

flat-blade screwdriver



5/8" or 7/8" adjustable wrench



7mm nut driver



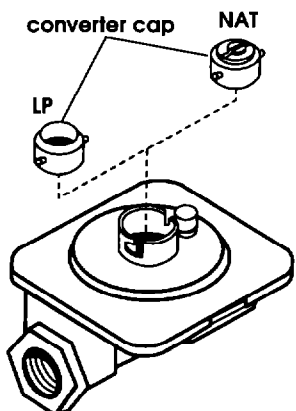
Parts supplied for installation.

- 4 L.P. air shutters
- 4 L.P. gas orifices
- 4 screws

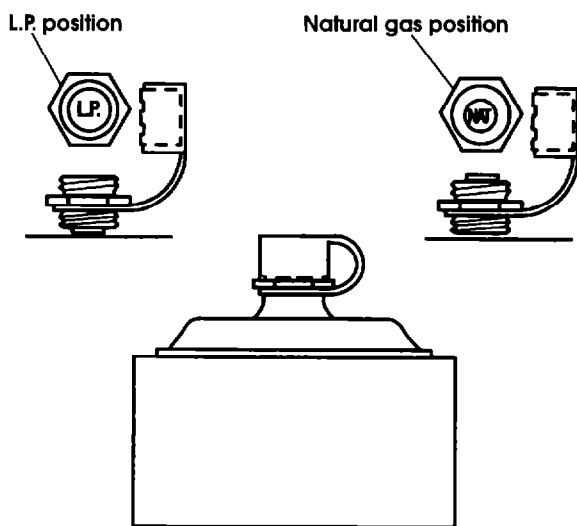
Converting to L.P. gas

Complete steps 1-8 before converting your cooktop to L.P. gas.

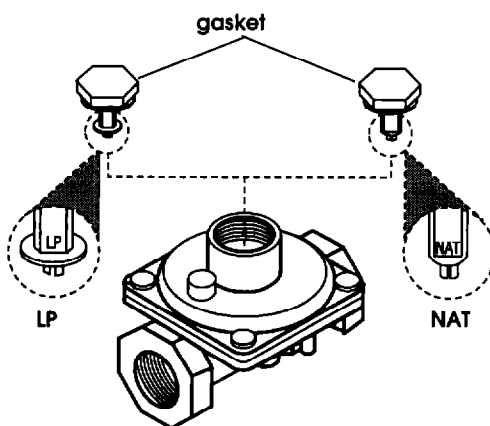
A. Pressure regulator: The pressure regulator may be one of three types. Follow instructions that apply to your type of regulator.



1. Push down and turn cap counterclockwise to remove cap. Turn cap over so that L.P. is on top of cap. Replace cap.



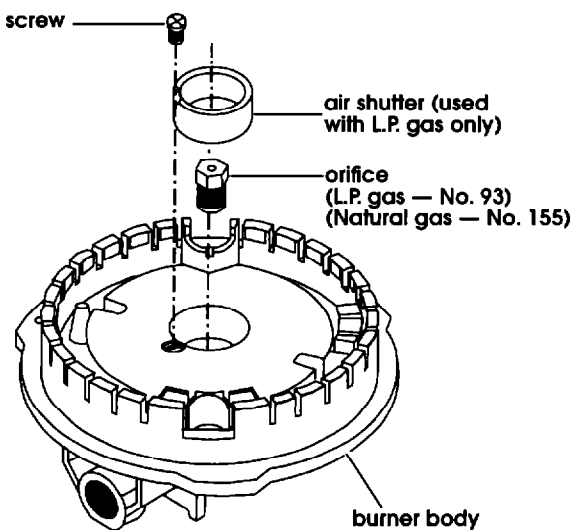
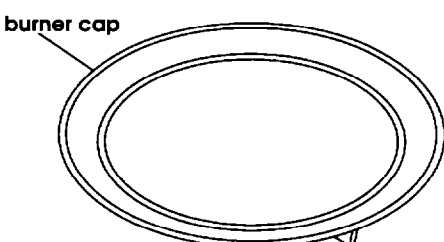
2. Remove cover from cap on top of regulator. Turn cap over so that L.P. is on top of cap. Replace cap. Replace cover over cap.



3. Remove cap from top of regulator. Snap out plastic plunger from bottom of cap. Turn plunger over so that L.P. is shown on lower end of plunger and snap back into cap.

B. Burners:

1. Use nut driver to remove Natural gas orifices (marked No. 155). Set orifices aside.
2. Remove L.P. orifices (marked No. 93) from plastic bag attached to bottom of cooktop. Use nut driver to install L.P. gas orifices.



3. Remove screw located in center of each burner. Remove L.P. air shutters from plastic bag attached to bottom of cooktop. Install L.P. air shutters. Replace screws.
4. Save the Natural gas orifices (No. 155), should the cooktop need to be converted back to Natural gas.

Converting back to Natural gas

1. Convert the pressure regulator back to Natural gas by reversing the steps in Step A, "Pressure regulator".
2. Remove screw located in center of each burner. Remove L.P. air shutters from burners. Replace screws. Save the L.P. air shutters.
3. Remove L.P. gas orifices (No. 93) and save. Install Natural gas orifices (No. 155).

Adjusting for proper flame

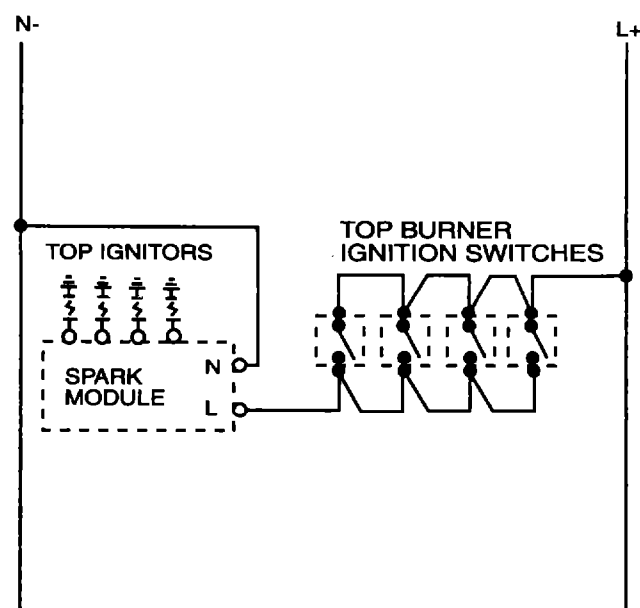
After all burners have been converted, turn the gas supply valve back to open position.

Complete steps 9-15.

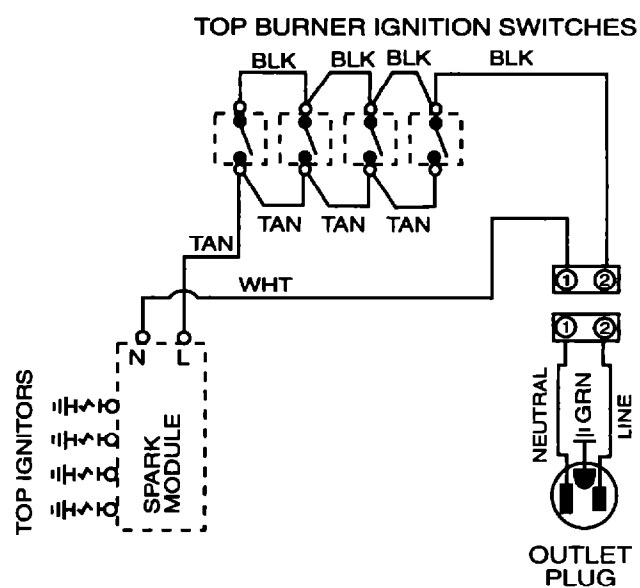
Checking gas pressure

1. Remove right rear burner cap. Connect an inclined manometer to orifice with a 1/4" I.D. rubber hose. Hold hose tightly to orifice.
2. Turn two other burners to operate at the "HI" position. Turn on burner connected to the manometer. Adjust the gas supply pressure until the monometer pressure reading is one-inch water column above 4 for Natural gas and 10 for L.P. gas pressure. The gas pressure should never be set below 4 or above 14 inches for Natural gas and below 10 or above 14 for L.P. gas.

Wiring diagram



SCHEMATIC



NOTICE:

1. DISCONNECT RANGE FROM POWER BEFORE REMOVING WIRE COVER.
2. REFER ONLY TO FEATURES EQUIPPED.
3. SERVICER PLEASE RETURN DIAGRAM TO RANGE.

If you need assistance...

The Whirlpool Consumer Assistance Center will answer any questions about operating or maintaining your cooktop not covered in the Installation Instructions. The Whirlpool Consumer Assistance Center is open 24 hours a day, 7 days a week. Just dial 1-(800) 253-1301 — the call is free.

When you call, you will need the cooktop model number and serial number. Both numbers can be found on the model/serial rating plate located on the underside of the cooktop burner box.

If you need service...

In the event that your Whirlpool appliance should need service, call the dealer from whom you purchased the appliance or a Whirlpool-authorized service company. A Whirlpool-authorized service company is listed in the Yellow Pages of your telephone directory under "Appliances — Household — Major — Service or Repair." You can also obtain the nearest service company's name and telephone number by dialing, free, within the continental United States, the Whirlpool Consumer Assistance Center telephone number, 1-(800) 253-1301. A special operator will tell you the name and number of your nearest Whirlpool-authorized service company.

Maintain the quality built into your Whirlpool appliance — call a Whirlpool-authorized service company.

If cooktop does not operate...

- Check that the circuit breaker is not tripped or house fuse blown.
- Check that power supply cord is plugged into wall receptacle.
- Check that the gas supply is turned on.

A more detailed troubleshooting checklist is provided in the Use and Care Guide.

Care, cleaning and maintenance

If removing the cooktop is necessary for cleaning or maintenance, shut off gas supply. Disconnect the gas and electric supply. Remove the mounting bracket on the right and left side of burner box. Remove the unit for servicing and cleaning. Reinstall in reverse order and check gas connection for leaks before connecting electric supply.

