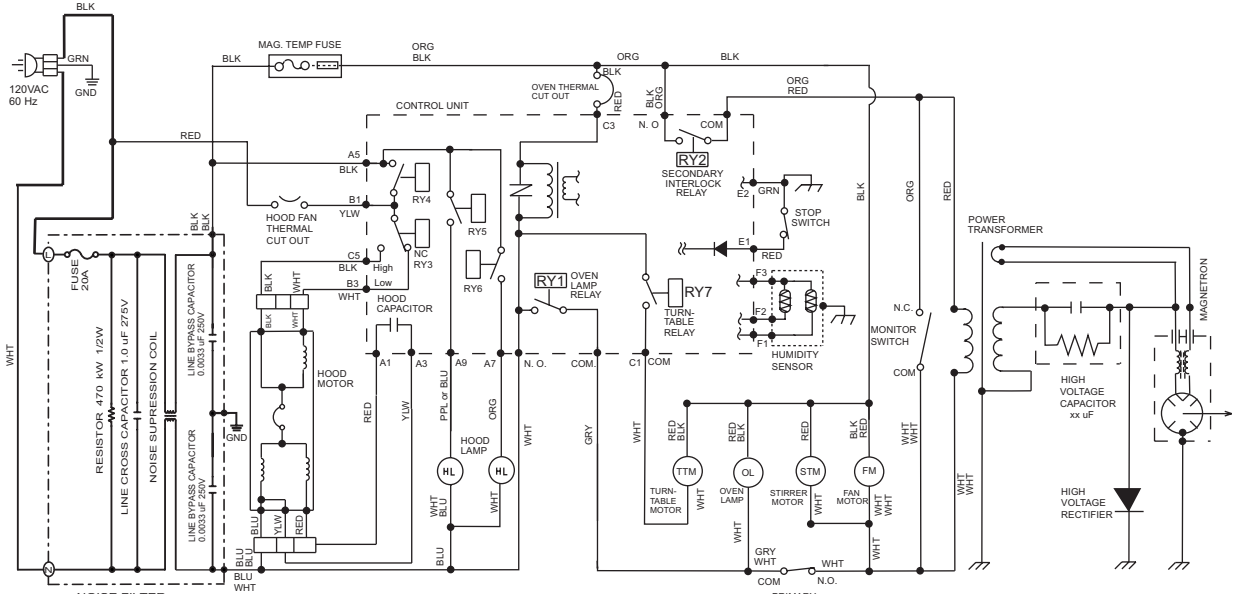


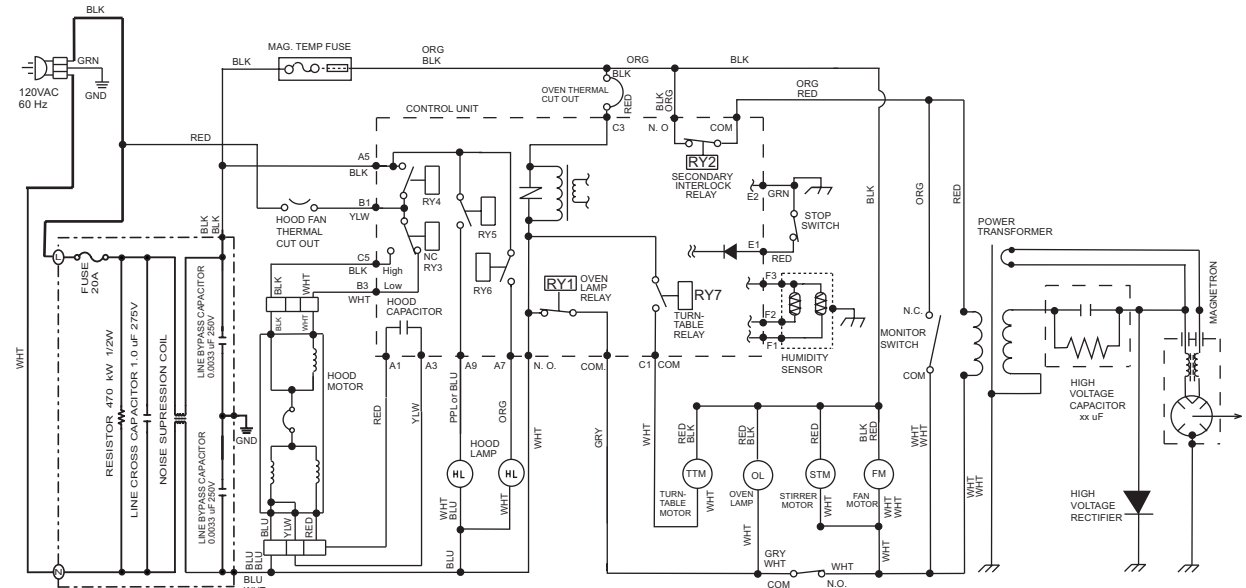
**SCHMATIC**  
 NOTE: CONDITION OF OVEN  
 1. DOOR CLOSED  
 2. CLOCK APPEARS ON DISPLAY



- NOTES:**
1. Circuits subject to change without notice
  2. Terminal with projection or opposite blue mark on lamp socket must be connected to neutral wire.
  3. Only certain models use the absolute humidity sensor.
  4. Power Transformer (Start Lead) terminal must be connected to hot wire (RED)

**Figure O-1. Oven Schematic-Off Condition**

**SCHMATIC**  
 NOTE: CONDITION OF OVEN  
 1. DOOR CLOSED  
 2. COOKING TIME PROGRAMMED  
 3. VARIABLE COOKING CONTROL "HIGH"  
 4. "START" PAD TOUCHED



- NOTES:**
1. Circuits subject to change without notice
  2. Terminal with projection or opposite blue mark on lamp socket must be connected to neutral wire.
  3. Only certain models use the absolute humidity sensor.
  4. Power Transformer (Start Lead) terminal must be connected to hot wire (RED)