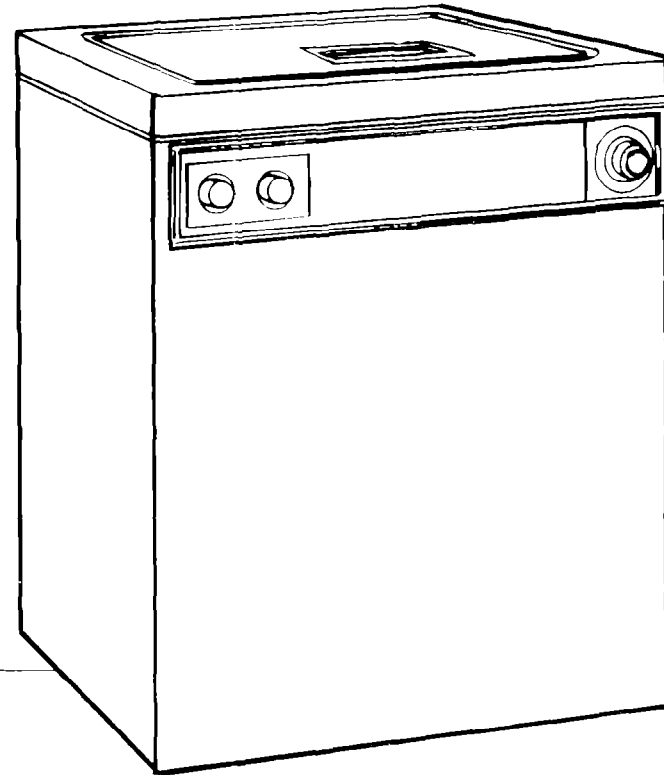


Installation Instructions



Part No. 3356743

IMPORTANT:
Read and save
these instructions.

IMPORTANT

Installer: Leave Installation Instructions with the homeowner.

Homeowner: Keep Installation Instructions for future reference.

Save Installation Instructions for local electrical inspector's use.

Compact Washer

Before you start...

Check location where washer will be installed. Proper installation is your responsibility. Make sure you have everything necessary for correct installation.

Grounded electrical outlet is required. See Electrical requirements.

Standpipe drain system: Needs a two-inch minimum diameter standpipe with minimum carry-away capacity of 17 gallons per minute. Top of standpipe must be at least 34 inches high and no higher than 72 inches from bottom of washer.

Floor drain system requires a siphon break, Part No. 285320.

Untape and open washer lid. Remove packages from washer. Do not remove hoses or release shipping straps of this time. Close and retape lid.

Hot and cold water faucets: Must be within 4 feet of the back of the washer and provide water pressure 5-100 PSI.

Laundry tub drain system: Needs a 20-gallon laundry tub. Top of tub must be at least 27 inches high and no higher than 48 inches from bottom of washer.

If a longer drain hose is needed, drain hose (Part No. 388423) and hose extension kit (Part No. 285442) are available from authorized parts distributors. If drain hose must be shortened, use kit (Part No. 285442).

Important: Observe all governing codes and ordinances.

Water heater: Set to deliver 140°F water to washer.

Level floor: Maximum slope under entire washer-1 inch.

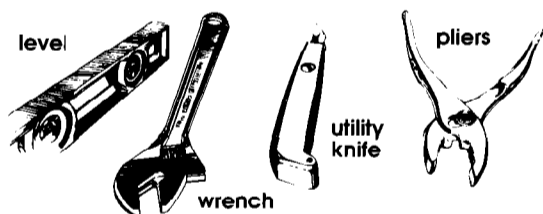
Support: Floor must be sturdy enough to support washer weight of 250 pounds.

SEE RECESSED AREA INSTRUCTIONS ON BACK COVER.

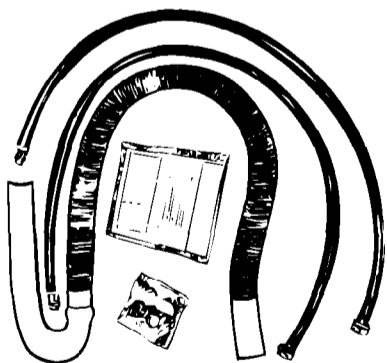
CAUTION

Product Damage
Do Not store or operate washer below 32°F (some water may remain in washer).
See Use & Care Guide for "Winterizing" Information.
Failure to follow above may result in product damage.

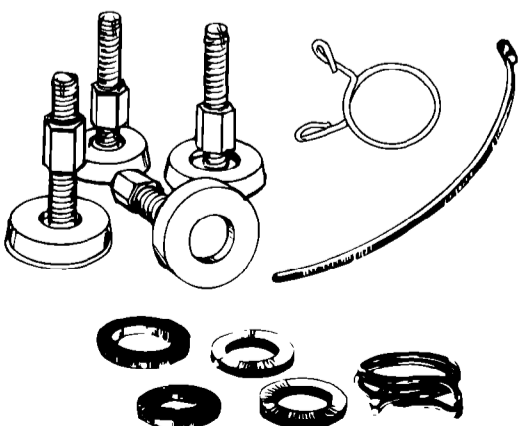
Tools needed for installation:



Parts supplied for installation:



Remove parts from packages. Check that all parts were included.



1 small clamp
4 legs with nuts
literature package
1 drain hose
1 plastic strap
1 hose clamp
2 inlet hoses
4 flat water hose washers

Electrical requirements

WARNING

Electrical Shock Hazard

- Electrical ground is required on this appliance.
- If cold water pipe is interrupted by plastic, non-metallic gaskets or other insulating materials, Do Not use for grounding.
- Do Not ground to a gas pipe.
- Do Not modify the power supply cord plug. If it does not fit the outlet, have a proper outlet installed by a qualified electrician.
- Do Not have a fuse in the neutral or grounding circuit. A fuse in the neutral or grounding circuit could result in an electrical shock.
- Do Not use an extension cord with this appliance.
- Check with a qualified electrician if you are in doubt as to whether the appliance is properly grounded.

Failure to follow these instructions could result in serious injury or death.

If codes permit and a separate grounding wire is used, it is recommended that a qualified electrician determine that the grounding path is adequate.

120-Volt, 60-Hz, AC-only, 15- or 20-ampere fused electrical supply is required. (Time-delay fuse or circuit breaker is recommended.) It is recommended that a separate circuit serving only this appliance be provided.

Recommended grounding method

For your personal safety, this appliance must be grounded. This appliance is equipped with a power supply cord having a 3-prong grounding plug. To minimize possible shock hazard, the cord must be plugged into a mating 3-prong grounding-type wall receptacle, grounded in accordance with National Electrical Code, ANSI/NFPA 70-latest edition and all local codes and ordinances. See Figure 1. If a mating wall receptacle is not available, it is the personal responsibility and obligation of the customer to have a properly grounded 3-prong wall receptacle installed by a qualified electrician.

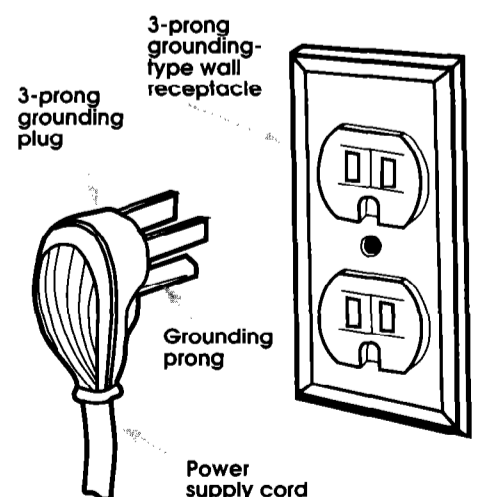
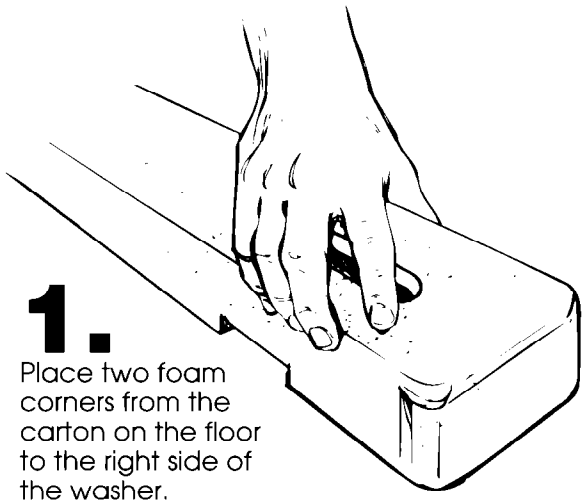
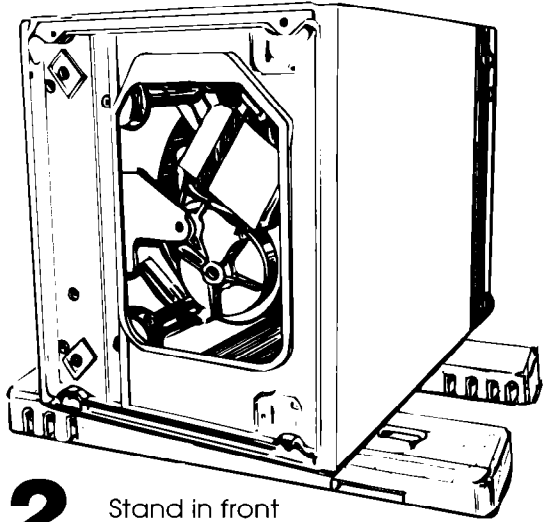


Figure 1

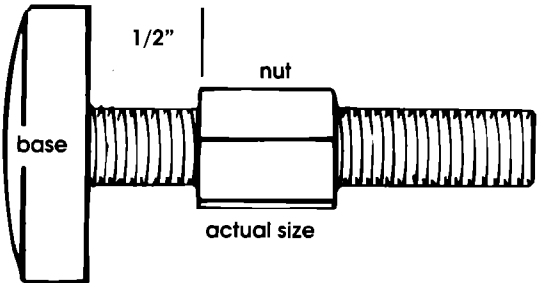
Now start...
With washer in laundry area.



1. Place two foam corners from the carton on the floor to the right side of the washer.



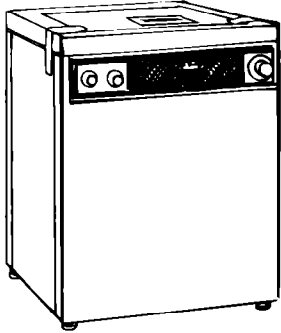
2. Stand in front of washer. Firmly grasp washer and gently lay it right side down on foam corners.



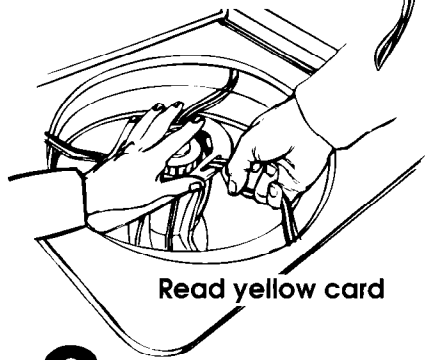
3. Use legs and nuts from parts package. Screw nut on leg to 1/2" from plastic-covered base.



4. Insert legs into holes in each corner of washer until nuts touch washer. **Do not** tighten nuts until Step 16.



5. Now stand the washer back up.



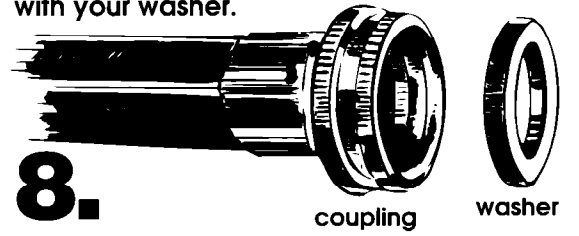
6. Untape and open washer lid. Read yellow card. Place hand on top of the agitator when removing the shipping straps. Firmly jerk, then pull the three (3) shipping straps completely out of the washer one at a time. Put straps close to your tools. Remove yellow tape from the top front corners.

Shipping strap with key

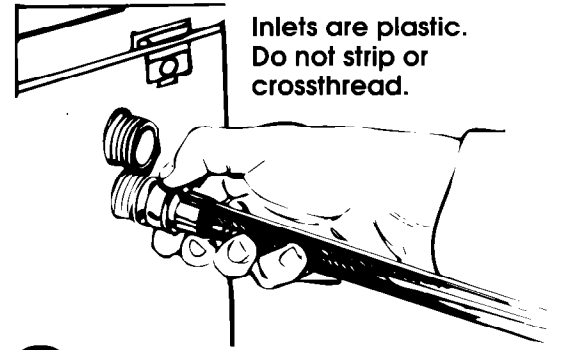
Read yellow card

7. Remove yellow card. Take hoses out of basket.

Use new hoses and washers that came with your washer.



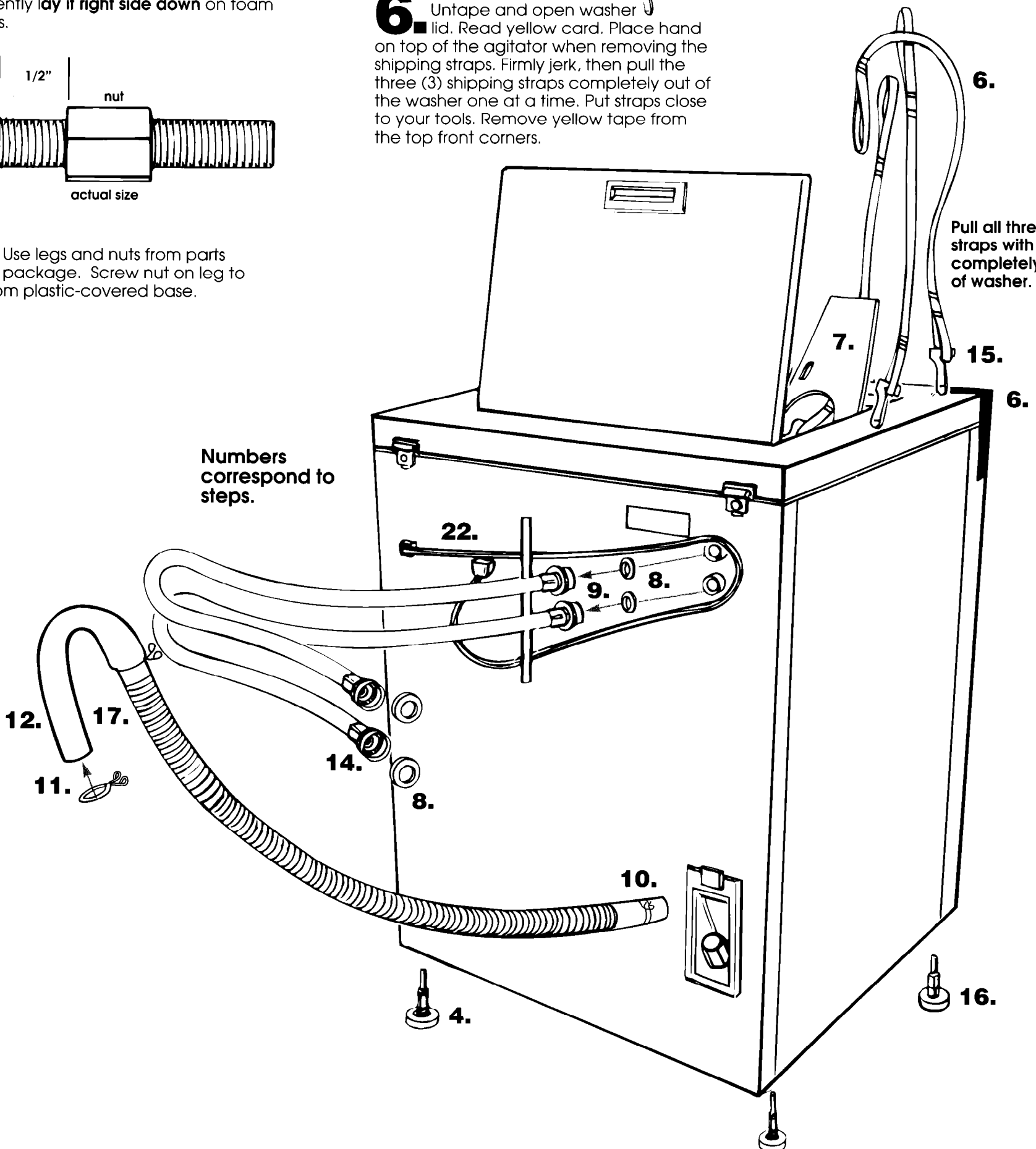
8. Insert a flat washer into **each** end of the inlet hoses. Check that washers are firmly seated in couplings.



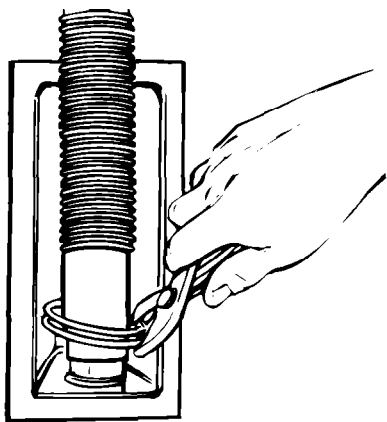
Inlets are plastic. Do not strip or crosstread.

9. Attach hose to bottom inlet valve opening first; then attach second hose to top inlet. Tighten couplings by hand. Then use pliers to make an additional two-thirds turn.

Numbers correspond to steps.

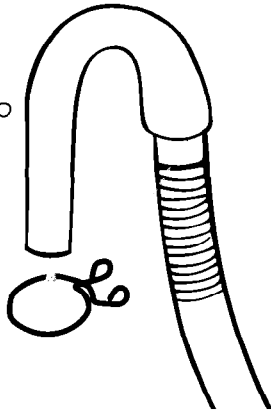


Pull all three straps with keys completely out of washer.



10. Place hose clamp over washer drain connector. Push coupling end of drain hose onto washer connector. Use pliers to open clamp and slide clamp over drain hose. Check for good fit.

11. Open clamp and slide over "hook" end of drain hose to secure the rigid and corrugated sections together.



CAUTION

Floor Damage

Slide washer onto cardboard or hardboard before moving across floor. Failure to do so may cause damage to floor covering.

12. Move washer close to final position. Put "hook" end of drain hose into laundry tub or standpipe. Check for proper length of drain hose.

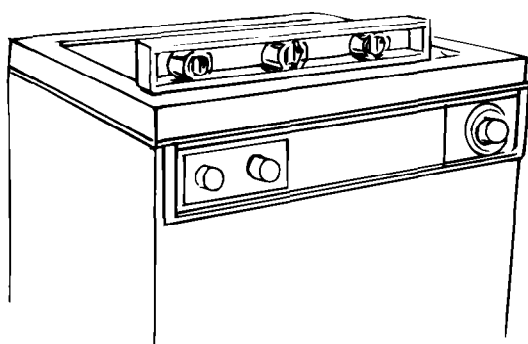
DO NOT FORCE EXCESS LENGTH OF DRAIN HOSE DOWN THE STANDPIPE. THIS COULD CAUSE SIPHONING.



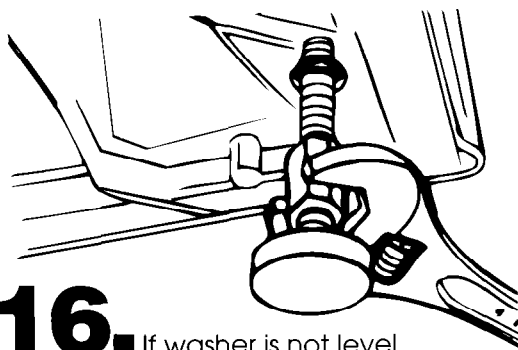
13. Before attaching water inlet hose, run water through both faucets into a bucket. This will get rid of particles in the water lines that might clog hoses.

14. Attach bottom hose (inlet marked "H") to hot water faucet. Attach top hose (inlet marked "C") to cold water faucet. Tighten coupling to faucet by hand; then use pliers to make final two-thirds turn.

Move washer to its permanent location.

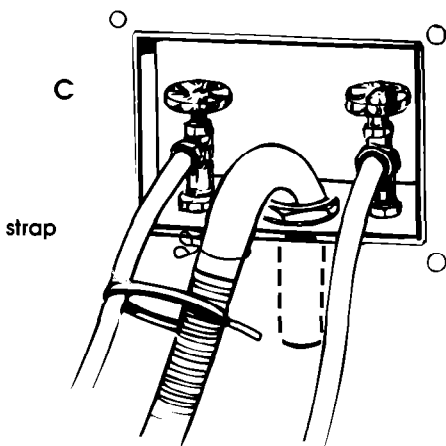
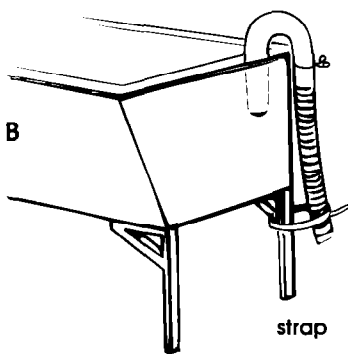
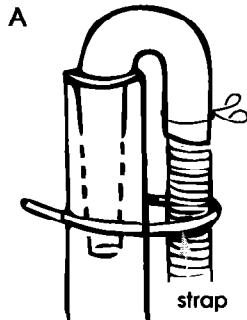


15. Check levelness of the washer by placing a carpenter's level on top of the washer, first side to side; then front to back.

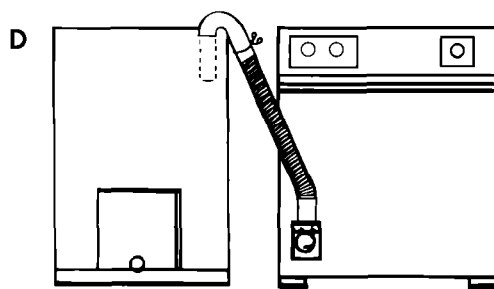


16. If washer is not level, screw the front legs up or down to adjust. Make final check with level.

When washer is level, use wrench to turn nuts on front legs up tightly against washer base. If nuts are not tight against washer base, the washer may vibrate.



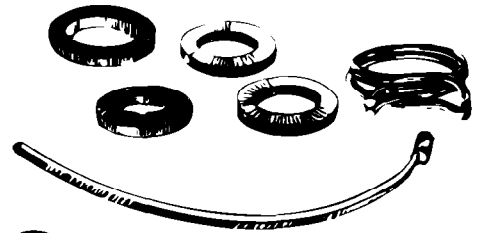
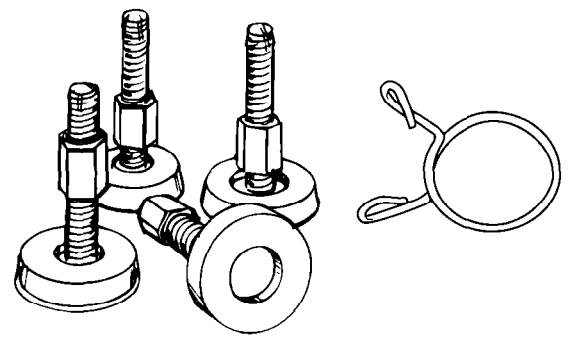
17. Put "hook" end of drain hose in tub or standpipe. Drain hose must not be forced down into standpipe. A gap between hose and standpipe is needed to avoid siphoning. Secure drain hose by wrapping the plastic strap around the hose as shown in Figures A-C.



If a longer drain hose is needed, drain hose (Part No. 388423) and hose extension kit (Part No. 285442) are available from authorized parts distributors. If drain hose must be shortened, use hose kit (Part No. 285442).

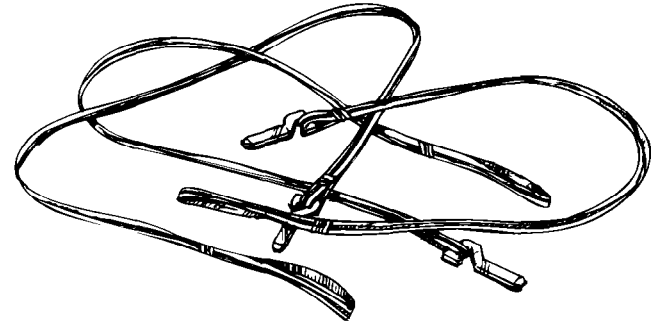
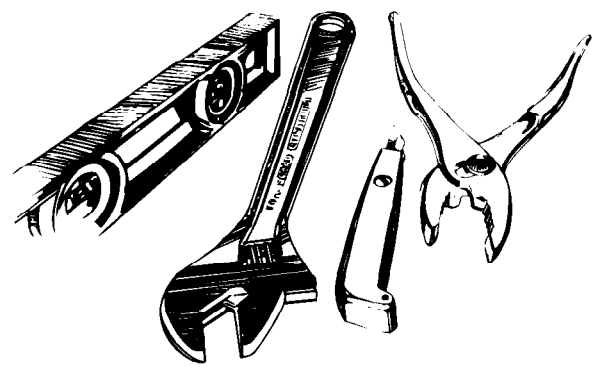
Note: If washer is moved to adjust drain hose, the washer must be leveled again. Repeat Steps 15-16. Place cardboard under the washer and carefully move washer to avoid damaging floor covering.

18. CHECK ELECTRICAL REQUIREMENTS. BE SURE YOU HAVE CORRECT ELECTRICAL SUPPLY AND RECOMMENDED GROUNDING METHOD.



19. Check that all parts are now installed. See parts list, Panel A. If there is an extra part, go back through steps to see which step was skipped.

20. Turn on water faucets and check for leaks. Tighten couplings if there is leaking.



21. Check that you have all of the tools that you started with and that you have removed the three shipping straps with keys from the washer. (See Step 6.)

22. Untape electrical cord and plug into grounded outlet.

23. Take a few minutes and read the Use and Care Guide to fully understand your new washer. Now start the washer and allow it to complete the regular cycle.

To get the most efficient use from your new washer, read your Use and Care Guide. Keep Installation Instructions and Guide close to washer for easy reference.

Recessed area instructions

This washer may be installed in a recessed area or closet.

The installation spacing is in inches and is minimum allowable.

Additional spacing should be considered for ease of installation and servicing.

If closet door is installed, the minimum air openings in top and bottom are required. Louvered doors with air openings in top and bottom are acceptable.

Companion appliance spacing should be considered.

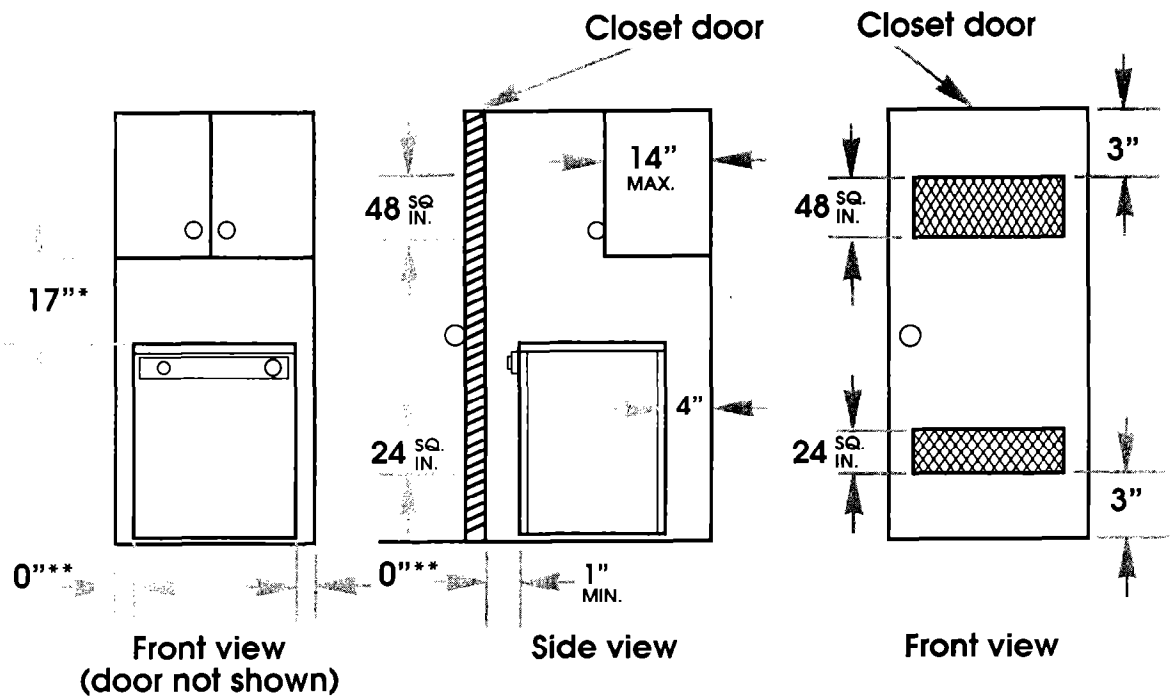
This compact washer may be installed with the compact dryer companion appliance using the Stack Stand Kit, Part No. 695570. Only permanently installed units may be used with Stack Kits: Part Nos. 3390175 (White) or 3390196 (Almond).

Note: There are exhaust restrictions on recess and closet installations for dryers. Refer to dryer instructions for proper installation.

If you need assistance...

Check your Use and Care Guide for a toll-free number to call or call the dealer from whom you purchased this appliance. The dealer is listed in the Yellow Pages of your phone directory under "Appliances - Major".

When you call, you will need the washer model number and serial number. Both numbers are on the serial/rating plate located under the washer lid and on the top of the washer.



* 17" required for complete lid opening - 9' minimum allowable.

** Additional clearances for wall, door and floor moldings may be required.

Minimum installation spacing