

KitchenAid® Bottom Mount Built-in Refrigerator

PRODUCT MODEL NUMBERS

| | |
|----------|----------|
| KBLC36FM | KBRC36FM |
| KBLO36FM | KBRO36FM |
| KBLP36FM | KBRP36FM |
| KBLS36FM | KBRS36FM |
| KBLV36FP | KBRV36FP |

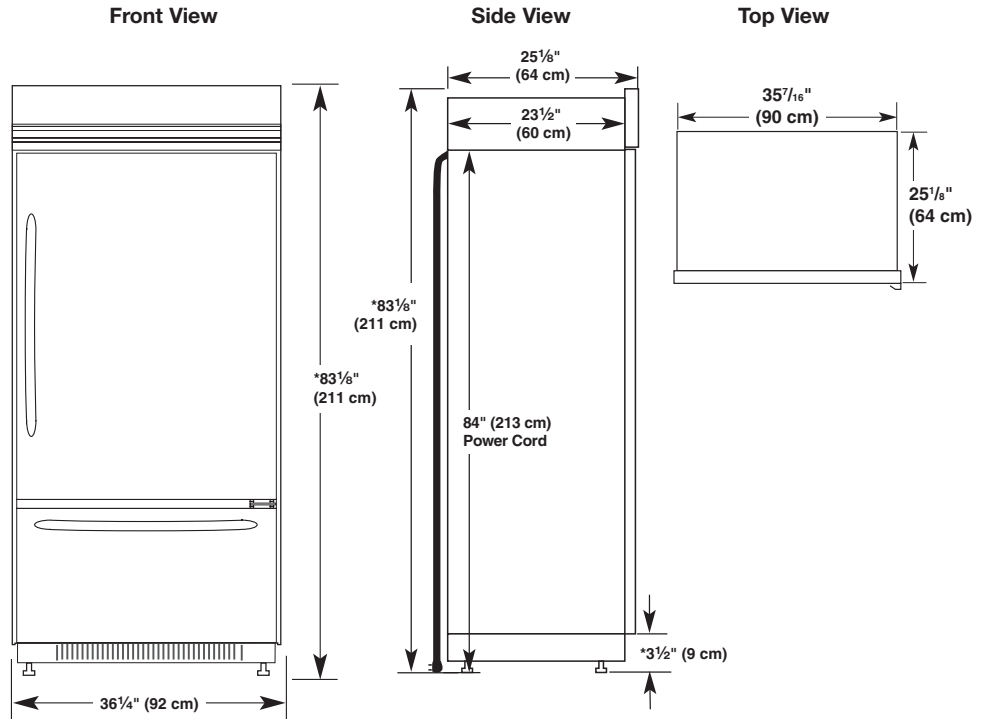
Electrical: A 115 Volt, 60-Hz., AC-only 15- or 20-amp fused, grounded electrical supply is required. It is recommended that a separate circuit serving only your refrigerator be provided. Use an outlet that cannot be turned off by a switch. Do not use an extension cord.

Water Supply: A cold water supply with water pressure between 30 and 120 psi (207-827 kPa) is required to operate the water dispenser and ice maker. If you have questions about your water pressure, call a licensed, qualified plumber.

IMPORTANT: The pressure of the water supply coming out of a reverse osmosis system going to the water inlet valve of the refrigerator needs to be between 30 and 120 psi (207-827 kPa).

If a reverse osmosis water filtration system is connected to your cold water supply, the water pressure to the reverse osmosis system needs to be a minimum of 40 to 60 psi (276-414 kPa).

OVERALL DIMENSIONS

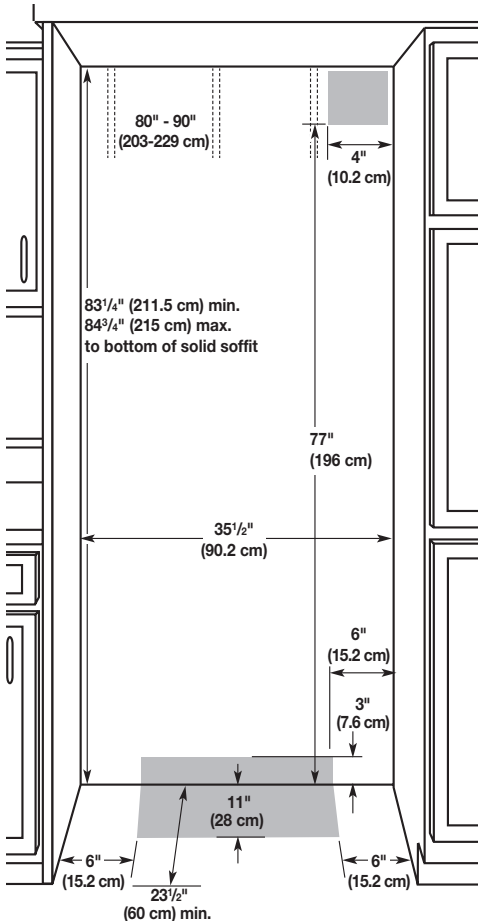


■ The water line attached to the back of the refrigerator is 5 ft (1.5 m) long.

■ Height dimensions are shown with leveling legs extended $\frac{1}{8}$ " (3 mm) below the rollers.

* When leveling legs are fully extended to $1\frac{1}{4}$ " (32 mm) below rollers, add $1\frac{1}{8}$ " (29 mm) to the height dimensions.

CABINET OPENING DIMENSIONS



DOOR SWING DIMENSIONS

