



Frigidaire

Factory Parts Catalog

Product No.	FMV156EMC
Market	North America
Color	silver
Volts	120
Watts	950
Wiring Diagram	5995490934
Owner's Guide	TINSEB445MRR2
Installation Instructions	TINSEB386MRR1

 **Electrolux**

Electrolux Major Appliances
North & Latin America
P.O. BOX 212378
AUGUSTA, GA 30917

Publication No.
5995490934
07/05/16
(EN/SERVICE/WTC)
099

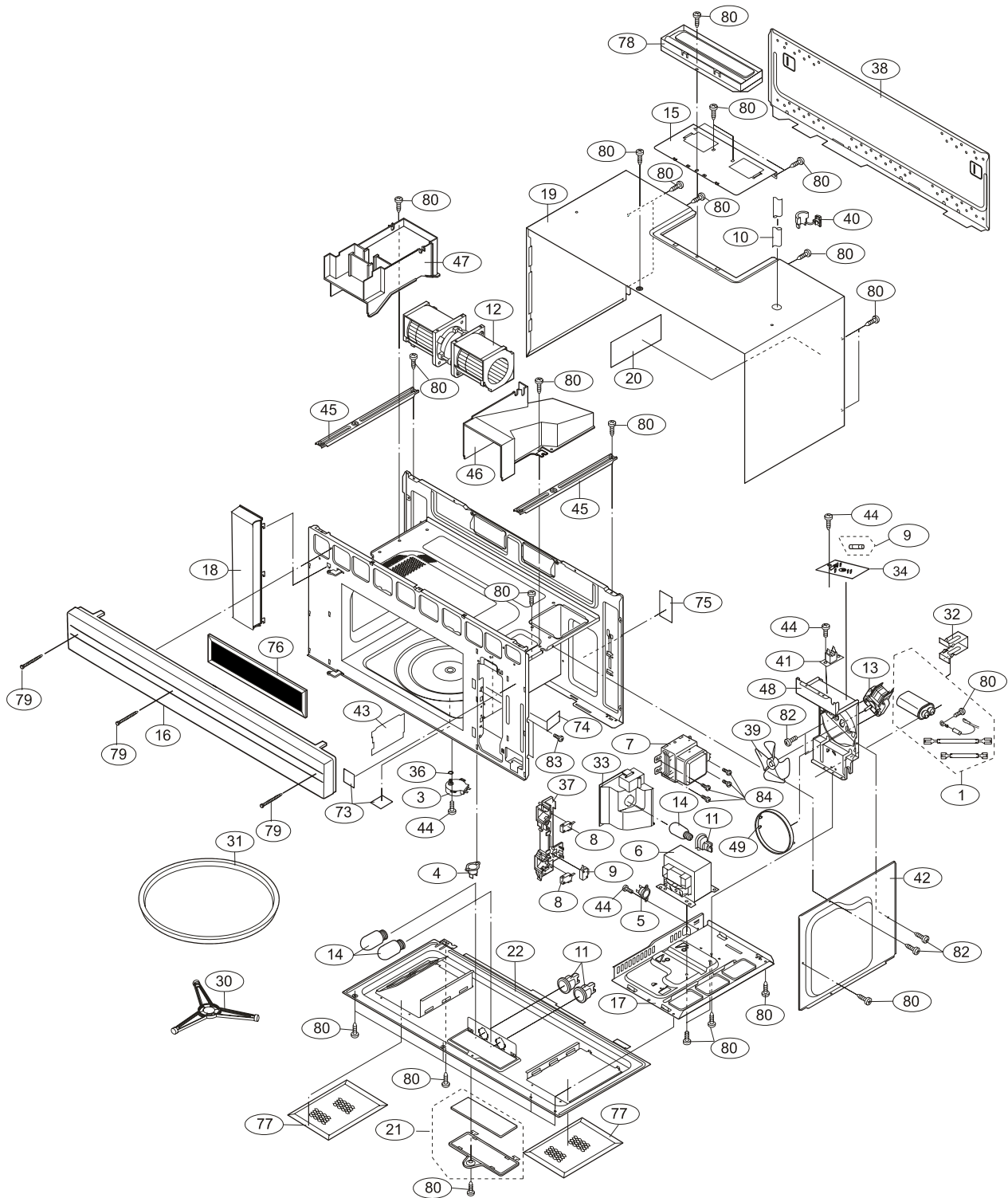
**OVER-RANGE
MICROWAVE**

Model No.
FMV156E

Copyright © 2007 Electrolux Home Products, Inc.
All rights reserved.

OVEN, CABINET

OVEN AND CABINET PARTS



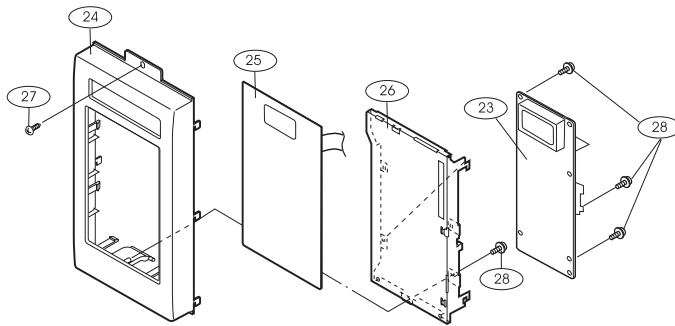
FMV156EMC-CAB

OVEN,CABINET

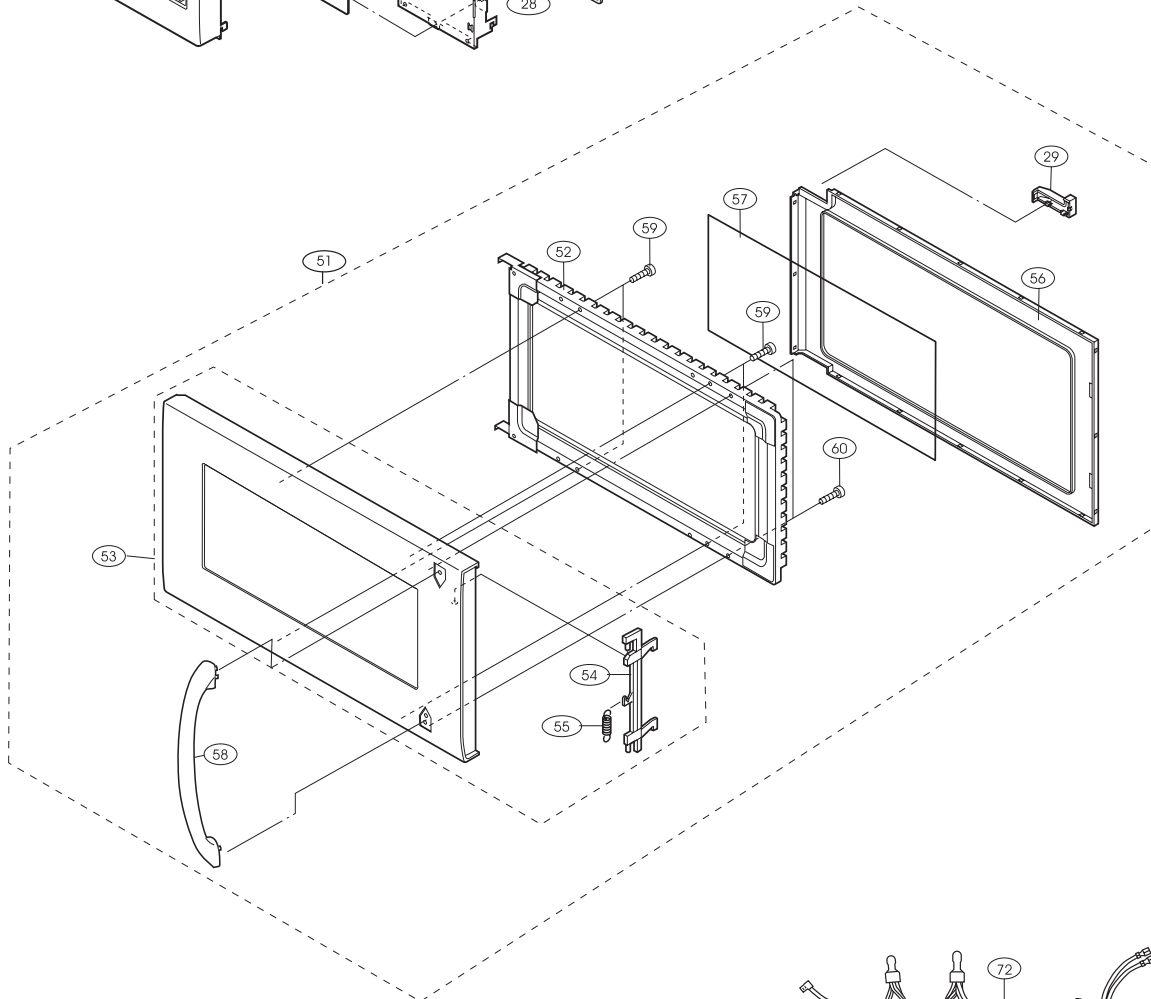
POS. NO	PART NO.	DESCRIPTION
1	5304461618	HV Assy, w/rectifier, capacitor, wire
3 #	5304448488	Motor, turntable
4 #	5304440032	Thermal Cutout, oven cavity
5 #	5304440023	Thermal Cutout, hood
6 #	5304461585	Transformer, power
7 #	5304440781	Magnetron
8 #	5304440026	Switch, interlock, door sensor
9 #	5303319559	Switch, monitor, w/ceramic fuse
10 #	5304440028	Power Cord, electric
11 #	5303319561	Receptacle, lamp socket, oven
12 #	5304441847	Motor, hood fan
13 #	5304441848	Motor, cooling fan
14	5304440031	Lamp, incandescent, 20 W, (3)
15	5304441849	Plate, rear stay
16	5304453717	Grille, exhaust louver, black
17	5304461266	Base, transformer, right side
18	5304453718	Panel, front trim, silver, LS
19	5304441858	Cabinet, outer casing, black
20	5304451814	Wiring Diagram, schematic, label
21	5303319573	Lens/Frame Assy, lamp
22	5304451815	Cover, unit base, black
30	5304440284	Support Assy, turntable
31	5304441872	Tray, turntable, glass
32	5304441873	Retainer, capacitor strap
33	5304458569	Duct, magnetron
34 #	5304451818	Filter, noise, electronic
36	5304440288	Bushing, motor shaft, turntable
37	5304440289	Latch Hook
38	5304461267	Bracket, mounting plate, rear
39 #	5304440843	Fan Blade, cooling fan
40	5303319605	Bushing, grommet, power cord
41 #	5303319550	Fuse, magnetron
42	5304441876	Duct, hood intake, right side
43	5304440845	Cover, waveguide
44	5304453725	Screw, 3mm x 8mm
45	5304441877	Support, chassis
46	5304441878	Duct, hood intake, right side
47	5304441879	Duct, exhaust hood, left side
48	5304461586	Duct, cooling fan
49	5304441881	Ring, fan orifice
73	5304441900	Label, Caution-DHHS
74	5304440334	Label, Caution-monitor
75	5304440333	Label, Caution-DHHS
76	5304456425	Filter, inside exhaust, charcoal
77	5303319568	Filter, grease, (2)
78	5304440283	Damper Assy, exhaust
79	5303319640	Screw, black
80	5304451553	Screw, 4 mm x 12 mm
82	5304450253	Screw, 4 mm x 8 mm
83	5303319641	Screw
84	5303319636	Screw

CONTROL PANEL,DOOR,MISC.

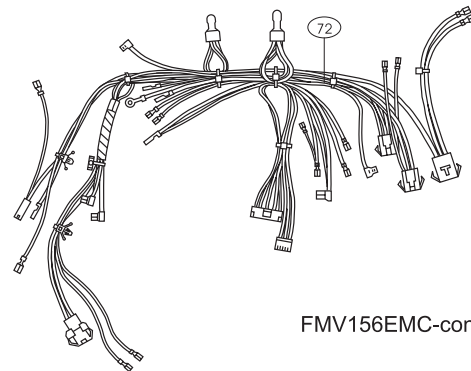
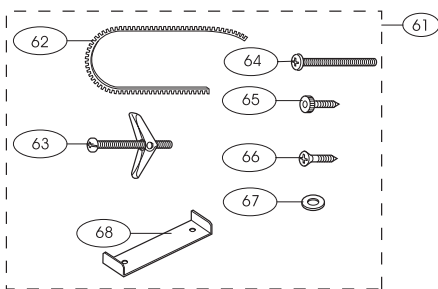
CONTROL PANEL PARTS



DOOR PARTS



MISCELLANEOUS



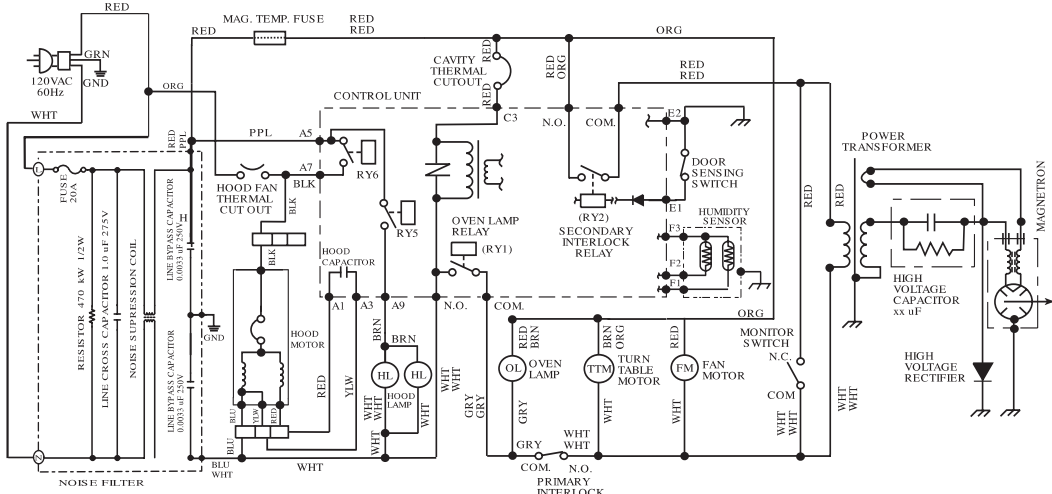
FMV156EMC-control

CONTROL PANEL,DOOR,MISC.

POS. NO	PART NO.	DESCRIPTION
23 #	5304441863	Control Board, printed circuit
24	5304453719	Frame, control panel, silver
25 #	5304441868	Switch, touch pad, black
26	5304440281	Panel, control mount
27	5304458568	Screw
28	5304456930	Screw
29	5304441871	Door Stop
51	5304453720	Door Assy, silver, w/handle
52	5304441887	Panel, inner door, black
53	5304461712	Frame, outer door, silver
54	5304440314	Latch, door
55	5304440316	Spring, door latch
56	5304441894	Frame, choke cover, inner door
57	5304440860	Seal, door, film
58	5304440323	Handle, door, black
59	5304451561	Screw, 4 mm x 8 mm
60	5304458213	Screw, 4 mm x 12 mm
61	5304461272	Hardware, installation, kit
62	5303319605	Bushing, grommet, power cord
63	5303318762	Screw, toggle
64	5304453895	Screw, 5mm x 85mm
65	5304451553	Screw, 4 mm x 12 mm
66	5304453723	Screw, 5mm x 35mm
67	5304453724	Washer
68	5304441896	Bracket, scale plate
72 #	5304451820	Wiring Harness, main
*	5304458571	Template, installation, top/wall

WIRING SCHEMATIC

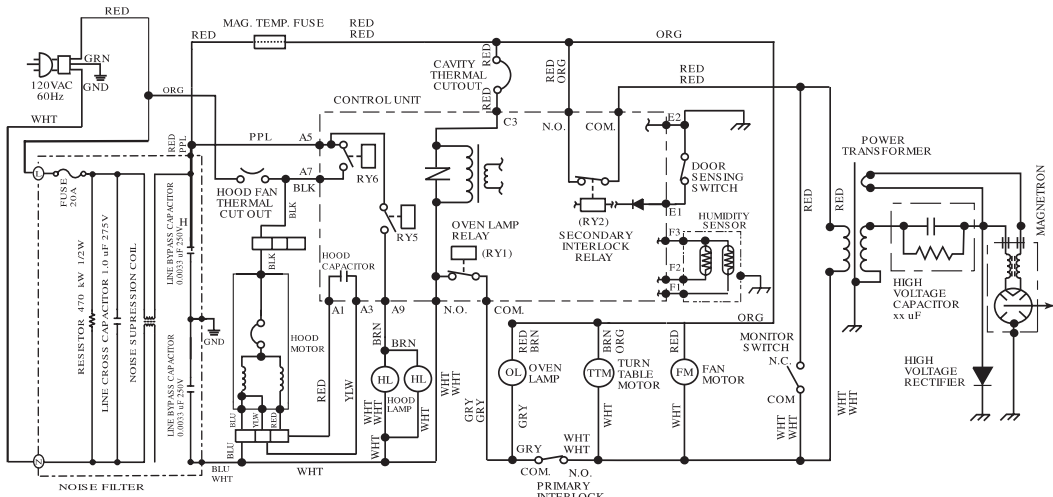
SCHEMATIC
 NOTE: CONDITION OF OVEN
 1. DOOR CLOSED.
 2. CLOCK APPEARS ON DISPLAY.



- NOTES:
 1. CIRCUITS SUBJECT TO CHANGE WITHOUT NOTICE.
 2. TERMINAL WITH PROJECTION OR OPPOSITE BLUE MARK ON LAMP SOCKET MUST BE CONNECTED TO NEUTRAL WIRE.
 3. ONLY CERTAIN MODELS USE THE ABSOLUTE HUMIDITY SENSOR.
 4. POWER TRANSFORMER LEFT (FINISH LEAD) TERMINAL MUST BE CONNECTED TO THE NEUTRAL (WHITE) WIRE.

Figure O-1. Oven Schematic-Off Condition

SCHEMATIC
 NOTE: CONDITION OF OVEN
 1. DOOR CLOSED.
 2. COOKING TIME PROGRAMMED.
 3. VARIABLE COOKING CONTROL "HIGH".
 4. "START" BUTTON PRESSED.



- NOTES:
 1. CIRCUITS SUBJECT TO CHANGE WITHOUT NOTICE.
 2. TERMINAL WITH PROJECTION OR OPPOSITE BLUE MARK ON LAMP SOCKET MUST BE CONNECTED TO NEUTRAL WIRE.
 3. ONLY CERTAIN MODELS USE THE ABSOLUTE HUMIDITY SENSOR.
 4. POWER TRANSFORMER LEFT (FINISH LEAD) TERMINAL MUST BE CONNECTED TO THE NEUTRAL (WHITE) WIRE.