



# Installation Instructions

## Gas & Electric Dryer

Before beginning installation, carefully read these instructions. This will simplify the installation and ensure the dryer is installed correctly and safely. Leave these instructions near the Dryer after installation for future reference.

**NOTE:** The electrical service to the Dryer must conform with local codes and ordinances and the latest edition of the National Electrical Code, ANSI/NFPA 70 or in Canada, CSA C22.1 Canadian Electrical Code Part 1.

**NOTE:** The gas service to the Dryer must conform with local codes and ordinances and the latest edition of the National Fuel Gas Code ANSI Z223.1 or in Canada, CAN/CGA B149.12.

**NOTE:** The Dryer is designed under ANSI Z 21.5.1 or ANSI/UL 2158 - CAN/CSA C22.2 (latest editions) for HOME USE only. This Dryer is not recommended for commercial applications such as restaurants or beauty salons, etc.

## Contents

<b>SUBJECT</b>	<b>PAGE</b>
Pre-Installation Requirements	2
Electrical Requirements	2
Exhaust System Requirements	2-3
Gas Supply Requirements	3
Location of Your Dryer	4
Mobile Home Installation	5
Rough-In Dimensions	5-6
Unpacking	6
Reversing Door Swing	6
Electrical Installation	7
Grounding Requirements	7
Electrical Connections—3-wire	8
Electrical Connections—4-wire	8
Installation	9
Replacement Parts	9

**⚠ WARNING** For your safety the information in this manual must be followed to minimize the risk of fire or explosion or to prevent property damage, personal injury or loss of life.

- Do not store or use gasoline or other flammable vapors and liquid in the vicinity of this or any other appliance.
- **WHAT TO DO IF YOU SMELL GAS**
  - Do not try to light any appliance.
  - Do not touch any electrical switch; do not use any phone in your building.
  - Clear the room, building or area of all occupants.
  - Immediately call your gas supplier from a neighbor's phone. Follow the gas supplier's instructions.
  - If you cannot reach your gas supplier, call the fire department.

Installation and service must be performed by a qualified installer, service agency or the gas supplier.

## PRE-INSTALLATION REQUIREMENTS

### Tools and Materials Required for Installation:

1. Phillips head screwdriver.
2. Channel-lock adjustable pliers.
3. Carpenter's level.
4. Flat or straight blade screwdriver.
5. Duct tape.
6. Rigid or flexible metal 4 inch (10.2 cm) duct.
7. Vent hood.
8. Pipe thread sealer (Gas).
9. Plastic knife.
10. 1/2 inch open end wrench.

## ELECTRICAL REQUIREMENTS

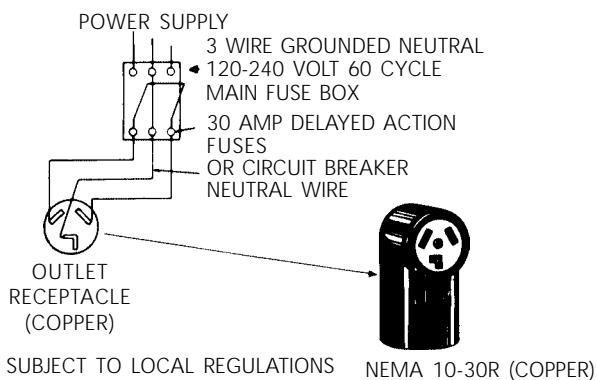
### ***ELECTRIC** Dryer*

**CIRCUIT** - Individual 30 amp. branch circuit fused with 30 amp. minimum time delay fuses or circuit breakers.

**POWER SUPPLY** - 3 wire, 240 volt, single phase, 60 Hz, Alternating Current. (Canada - 240 volt, single phase, 60 Hz, Alternating Current.)

**POWER SUPPLY CORD KIT** - The dryer **MUST** employ a 3-conductor power supply cord NEMA 10-30 type SRDT rated at 240 volt AC minimum, 30 amp., with 3 open end spade lug connectors with upturned ends or closed loop connectors and marked for use with clothes dryers. If being installed in a manufactured (mobile) home, the dryer **MUST** employ a 4-conductor power supply cord NEMA 14-30 type SRDT or ST (as required) rated at 240 volt AC minimum, 30 amp., with 4 open end spade lug connectors with upturned ends or closed loop connectors and marked for use with clothes dryers. See ELECTRICAL CONNECTIONS FOR A 4-WIRE SYSTEM. (Canada - 4-wire power supply cord is installed on dryer.)

**OUTLET RECEPTACLE** - NEMA 10-30R receptacle to be located so the power supply cord is accessible when the dryer is in the installed position. (Canada - NEMA 14-30R receptacle.)



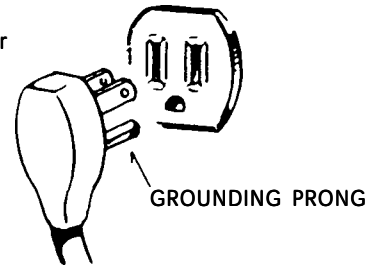
### ***GAS** Dryer*

**CIRCUIT** - Individual 15 amp. branch circuit fused with a 15 amp. maximum time delay fuse or circuit breaker.

**POWER SUPPLY** - 3 wire, 120 volt single phase, 60 Hz, Alternating Current.

**POWER SUPPLY CORD** - The dryer is equipped with a 120 volt 3-wire power cord.

**NOTE:** Do not under any circumstances remove grounding prong from plug.



## EXHAUST SYSTEM REQUIREMENTS

Use only 4 inch (10.2 cm) diameter (minimum) rigid or flexible metal duct and approved vent hood which has a swing-out damper(s) that open when the dryer is in operation. When the dryer stops, the dampers automatically close to prevent drafts and the entrance of insects and rodents. To avoid restricting the outlet, maintain a minimum of 12 inches (30.5 cm) clearance between the vent hood and the ground or any other obstruction.

**! WARNING** The following are specific requirements for proper and safe operation of your dryer. Failure to follow these instructions can create excessive drying times and fire hazards.

**! Do not use plastic flexible duct to exhaust the dryer.** Excessive lint can build up inside exhaust system and create a fire hazard and restrict air flow. Restricted air flow will increase dryer times. If your present system is made up of plastic duct or metal foil duct, replace it with a rigid or flexible metal duct. **Ensure the present duct is free of any lint prior to installing dryer duct.**

**! If the dryer is not exhausted outdoors, some fine lint will be expelled into the laundry area.** An accumulation of lint in any area of the home can create a health and fire hazard. **The dryer exhaust system MUST be exhausted to the outside of the dwelling!**

**! Do not allow combustible materials (for example: clothing, draperies/curtains, paper) to come in contact with exhaust system.** The dryer **MUST NOT** be exhausted into a chimney, a wall, a ceiling, or any concealed space of a building which can accumulate lint, resulting in a fire hazard.

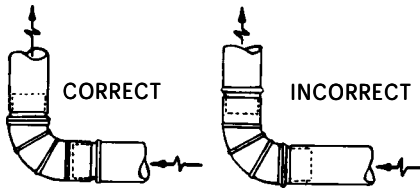
**! Exceeding the length of duct pipe or number of elbows allowed in the "MAXIMUM LENGTH" charts can cause an accumulation of lint in the exhaust system.** Plugging the system could create a fire hazard, as well as increase drying times.

**! Do not screen the exhaust ends of the vent system, nor use any screws or rivets to assemble the exhaust system.** Lint can become caught in the screen, on the screws or rivets, clogging the duct work and creating a fire hazard as well as increasing drying times. Use an approved vent hood to terminate the duct outdoors, and seal all joints with duct tape. All male duct pipe fittings **MUST** be installed downstream with the flow of air.

**! WARNING** Explosion hazard. Do not install the dryer where gasoline or other flammables are kept or stored. If the dryer is installed in a garage, it must be a minimum of 18 inches (45.7 cm) above the floor. Failure to do so can result in death, explosion, fire or burns.

Number of 90° Turns	MAXIMUM LENGTH of 4" (10.2 cm) Dia. Rigid Metal Duct		
	VENT HOOD TYPE (Preferred)		
		Louvered	
0	60 ft. (18.28 m)		48 ft. (14.63 m)
1	52 ft. (15.84 m)		40 ft. (12.19 m)
2	44 ft. (13.41 m)		32 ft. (9.75 m)
3	32 ft. (9.75 m)		24 ft. (7.31 m)
4	28 ft. (8.53 m)		16 ft. (4.87 m)

Number of 90° Turns	MAXIMUM LENGTH of 4" (10.2 cm) Dia. Flexible Metal Duct		
	VENT HOOD TYPE (Preferred)		
		Louvered	
0	30 ft. (9.14 m)		18 ft. (5.49 m)
1	22 ft. (6.71 m)		14 ft. (4.27 m)
2	14 ft. (4.27 m)		10 ft. (3.05 m)
3	NOT RECOMMENDED		



INSTALL MALE FITTINGS IN CORRECT DIRECTION

In installations where the exhaust system is not described in the charts, the following method must be used to determine if the exhaust system is acceptable:

1. Connect an inclined or digital manometer between the dryer and the point the exhaust connects to the dryer.
2. Set the dryer timer and temperature to air fluff (cool down) and start the dryer.
3. Read the measurement on the manometer.
4. The system back pressure **MUST NOT** be higher than 0.75 inches of water column. If the system back pressure is less than 0.75 inches of water column, the system is acceptable. If the manometer reading is higher than 0.75 inches of water column, the system is too restrictive and the installation is unacceptable.

Although vertical orientation of the exhaust system is acceptable, certain extenuating circumstances could affect the performance of the dryer:

- Only the rigid metal duct work should be used.

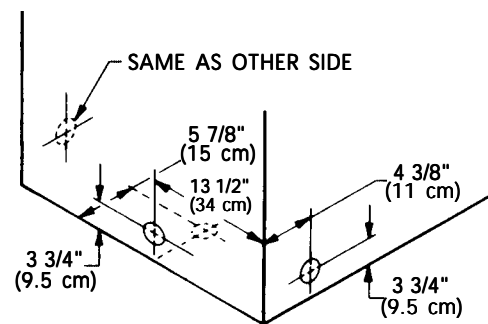
- Venting vertical through a roof may expose the exhaust system to down drafts causing an increase in vent restriction.
- Running the exhaust system through an uninsulated area may cause condensation and faster accumulation of lint.
- Compression or crimping of the exhaust system will cause an increase in vent restriction.

The exhaust system should be inspected and cleaned a minimum of **every 18 months** with normal usage. The more the dryer is used, the more often you should check the exhaust system and vent hood for proper operation.

### EXHAUST DIRECTION

All dryers shipped from the factory are set up for rear exhausting. However, on electric dryers, exhausting can be to the right or left side of the cabinet or the bottom of the dryer. On gas dryers, exhausting can be to the right side of the cabinet or the bottom of the dryer. Directional exhausting can be accomplished by installing Exhaust Kit, P/N 131456800, available through your parts distributor. Follow the instructions supplied with the kit.

### EXHAUST DUCT LOCATING DIMENSIONS



### GAS SUPPLY REQUIREMENTS

**⚠ WARNING** Replace copper connecting pipe that is not plastic-coated. Stainless steel or plastic-coated brass **MUST** be used.

1. Installation **MUST** conform with local codes, or in the absence of local codes, with the National Fuel Gas Code, ANSI Z223.1 (latest edition) or in Canada, the current CAN/CGA B149.
2. The gas supply line should be of 1/2 inch (1.27 cm) pipe.
3. If codes allow, flexible metal tubing may be used to connect your dryer to the gas supply line. The tubing **MUST** be constructed of stainless steel or plastic-coated brass.
4. The gas supply line **MUST** have an individual shutoff valve.
5. A 1/8 inch (0.32 cm) N.P.T. plugged tapping, accessible for test gauge connection, **MUST** be installed immediately upstream of the gas supply connection to the dryer.
6. The dryer **MUST** be disconnected from the gas supply piping system during any pressure testing of the gas supply piping system at test pressures in excess of 1/2 psig (3.45 kPa).
7. The dryer **MUST** be isolated from the gas supply piping system during any pressure testing of the gas supply piping system at test pressures equal to or less than 1/2 psig (3.45 kPa).

## LOCATION OF YOUR DRYER

### DO NOT INSTALL YOUR DRYER:

1. In an area exposed to dripping water or outside weather conditions.
2. In an area where it will come in contact with curtains, drapes, or anything that will obstruct the flow of combustion and ventilation air.
3. On carpet. Floor **MUST** be solid with a maximum slope of 1 inch (2.54 cm).

### INSTALLATION IN RECESS OR CLOSET

1. A dryer installed in a bedroom, bathroom, recess or closet, **MUST** be exhausted outdoors.
2. No other fuel burning appliance shall be installed in the same closet as the Gas dryer.
3. Your dryer needs the space around it for proper ventilation.

### DO NOT INSTALL YOUR DRYER IN A CLOSET WITH A SOLID DOOR.

4. A minimum of 120 square inches (774.2 square cm) of opening, equally divided at the top and bottom of the door, is required. Air openings are required to be unobstructed when a door is installed. A louvered door with equivalent air openings for the full length of the door is acceptable.

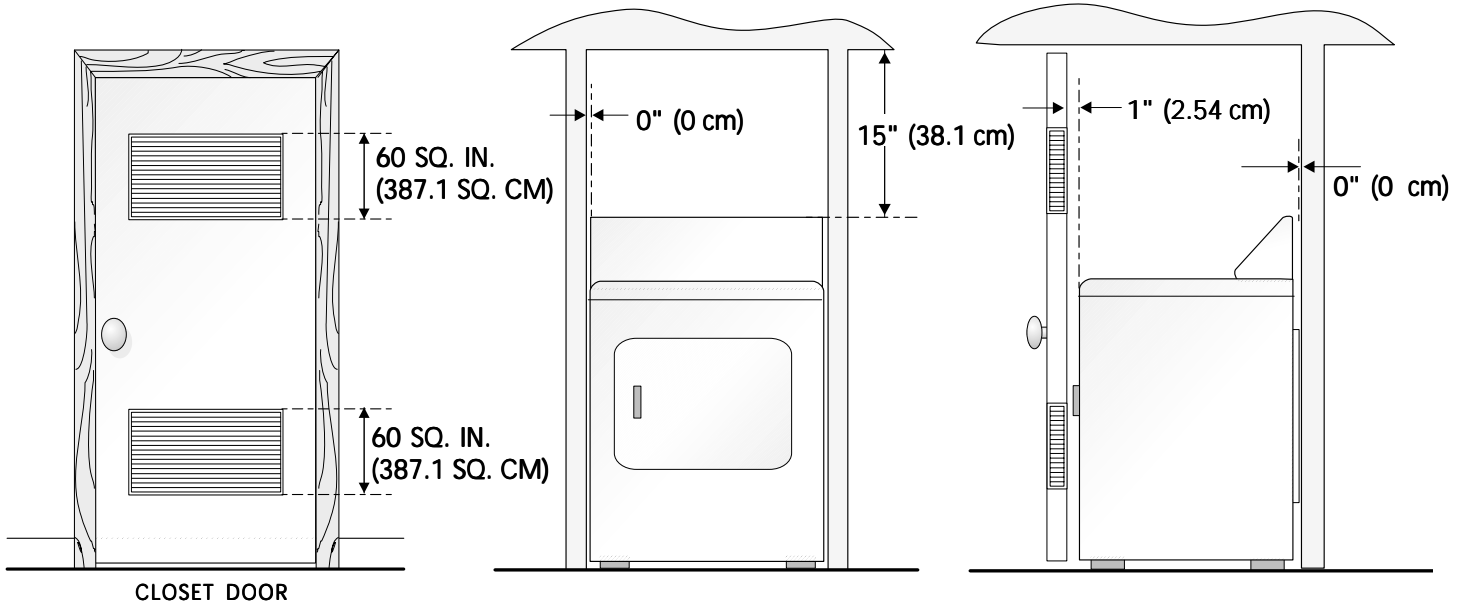
### MINIMUM INSTALLATION CLEARANCES (Inches)

	<u>FRONT</u>	<u>SIDES</u>	<u>REAR</u>	<u>TOP</u>
Alcove or Under counter	0 (0 cm)	0 (0 cm)	0 (0 cm)	15 (38.1 cm)
Closet	1 (2.54 cm)	0 (0 cm)	0 (0 cm)	15 (38.1 cm)

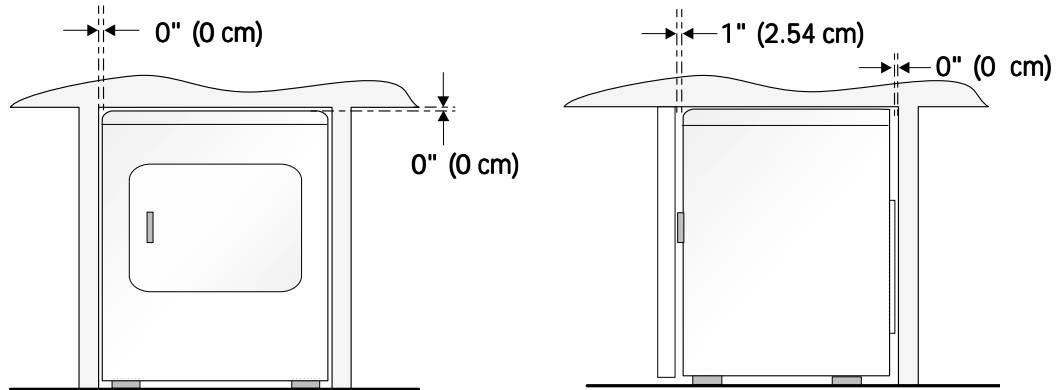
Closet door ventilation required: 2 louvered openings each 60 square inches (387 square centimeters) — 3 inches (7.6 cm) from bottom and top of door.

### THIS DRYER MUST BE EXHAUSTED OUTDOORS.

5. The following illustrations show minimum clearance dimensions for proper operation in a recess or closet installation.



**NOTE:** Under counter and stack models - 0 inches (0 cm) for sides, rear, and top.



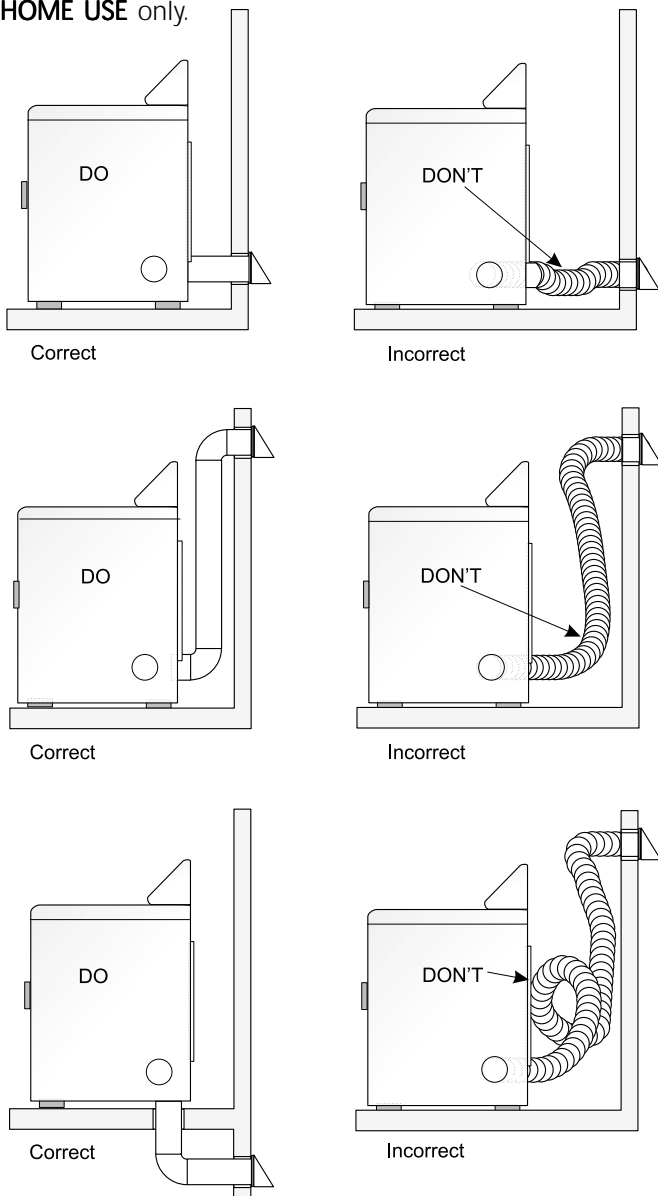
If an under counter\* installation is desired, the dryer **MUST** have a top sheet kit installed, P/N 131629100. Kit is available from an authorized parts distributor.

\*Custom-sized countertop is required.

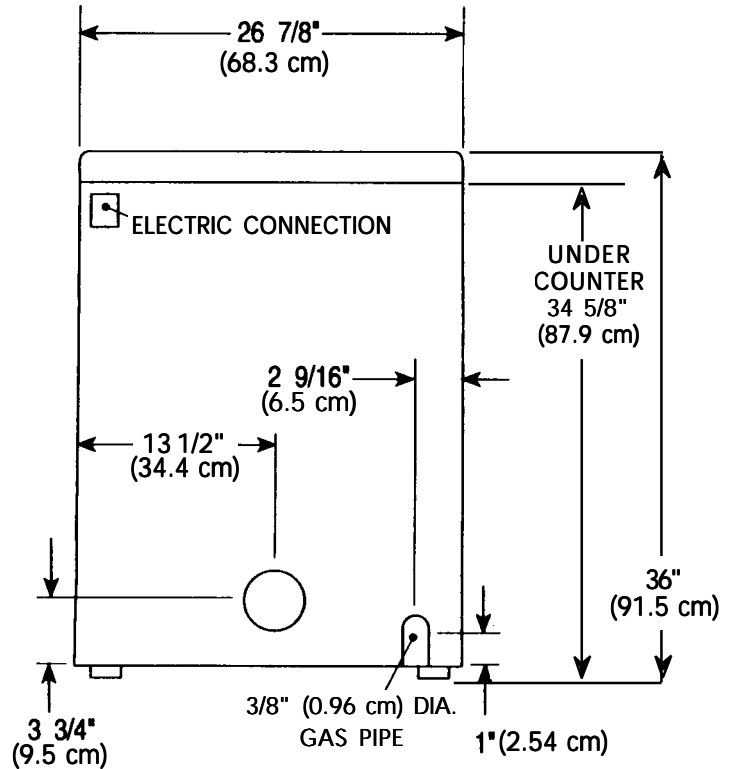
## MOBILE HOME INSTALLATION

1. Dryer **MUST** be exhausted outside (outdoors, not beneath the mobile home) using metal ducting that will not support combustion. Metal ducting must be 4 inches (10.16 cm) in diameter with no obstructions. Rigid metal duct is preferred.
2. If dryer is exhausted through the floor and area beneath the mobile home is enclosed, the exhaust system **MUST** terminate outside the enclosure with the termination securely fastened to the mobile home structure.
3. When installing a gas dryer into a mobile home, a provision must be made for outside make up air. This provision is to be not less than twice the area of the dryer exhaust outlet.
4. This dryer **MUST** be fastened to the floor. Mobile Home Installation Kit No. 169840 is available from your dealer.
5. Refer to pages 2 and 3 for other important venting requirements.
6. Installation **MUST** conform to current Manufactured Home Construction & Safety Standard (which is a Federal Regulation Title 24 CFR-Part 32-80) or when such standard is not applicable, with American National Standard for Mobile Homes. In Canada, the CSA Z240 is applicable.

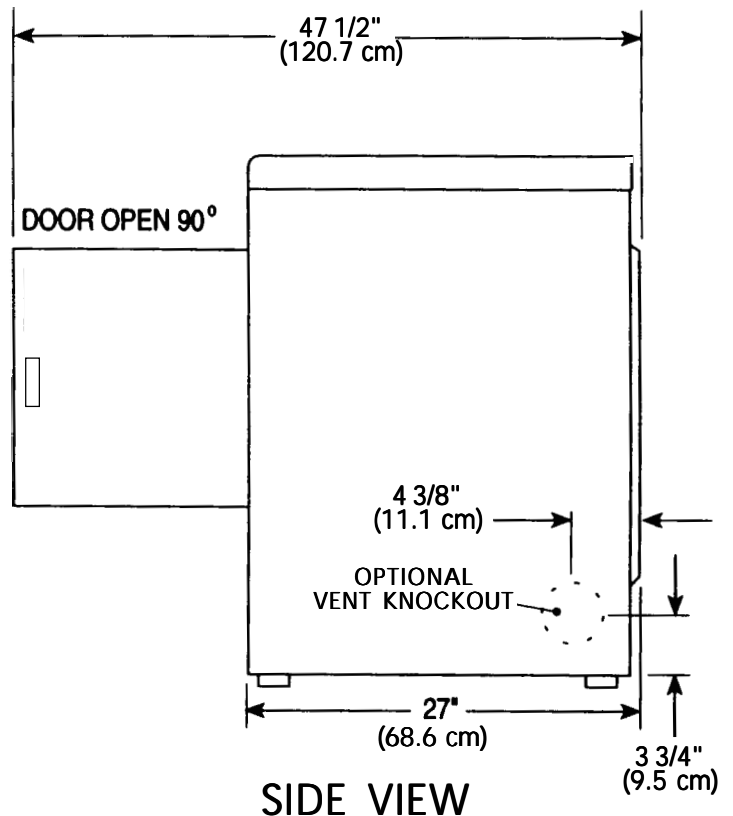
**⚠ WARNING** The dryer is designed under ANSI Z 21.5.1 for HOME USE only.



## UNDER COUNTER & STACK MODELS ROUGH-IN DIMENSIONS

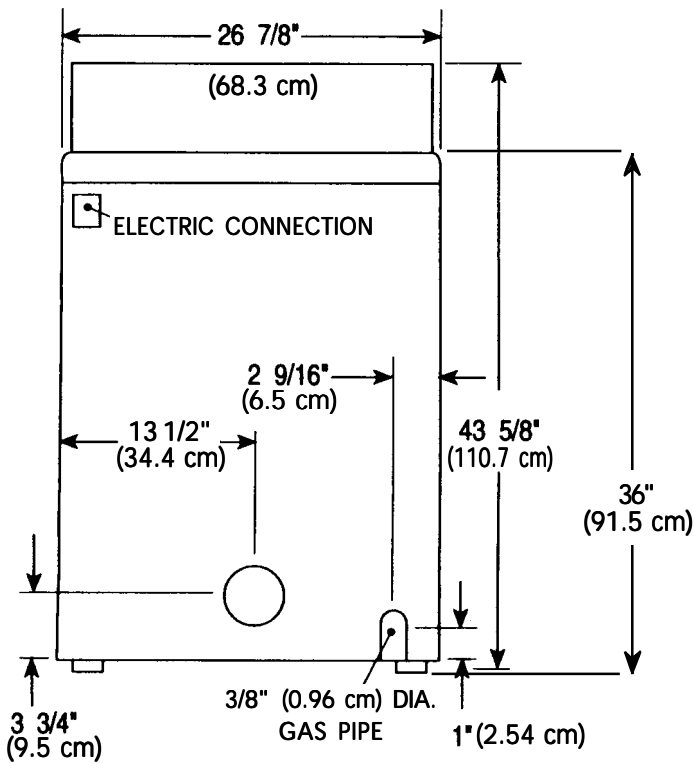


REAR VIEW

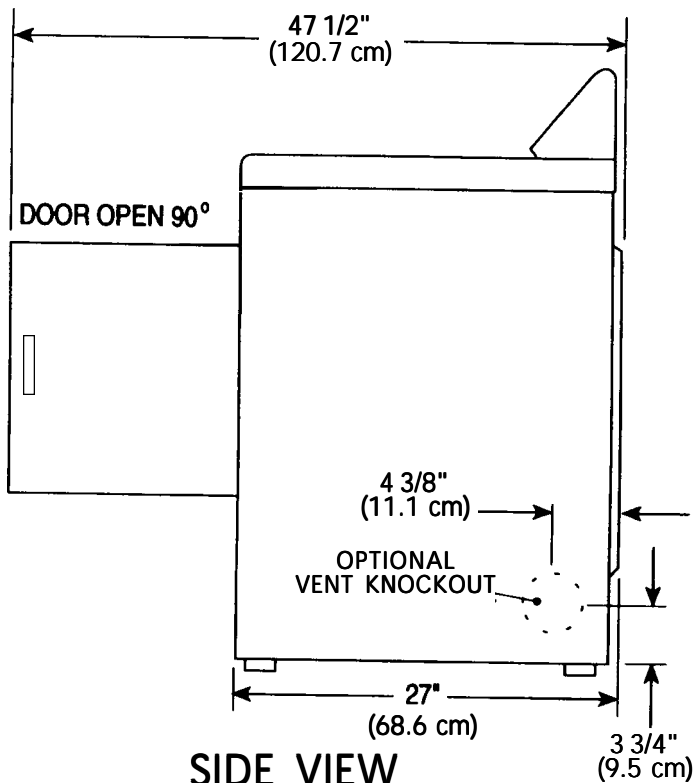


SIDE VIEW

## TOP CONSOLE MODELS ROUGH-IN DIMENSIONS



REAR VIEW



SIDE VIEW

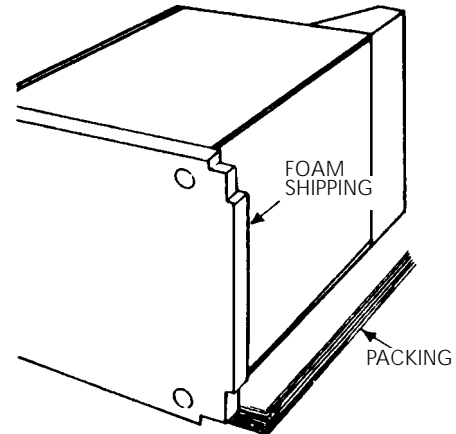
## UNPACKING

- Using the four shipping carton corner posts (two on each side), carefully lay the dryer on its left side and remove foam shipping base.

**CAUTION** To prevent damage, do not use the control panel as a means to pick up or move the dryer.

**NOTE:** On under counter model clothes dryers, the top panel may be removed for installation.

- Return the dryer to an upright position.

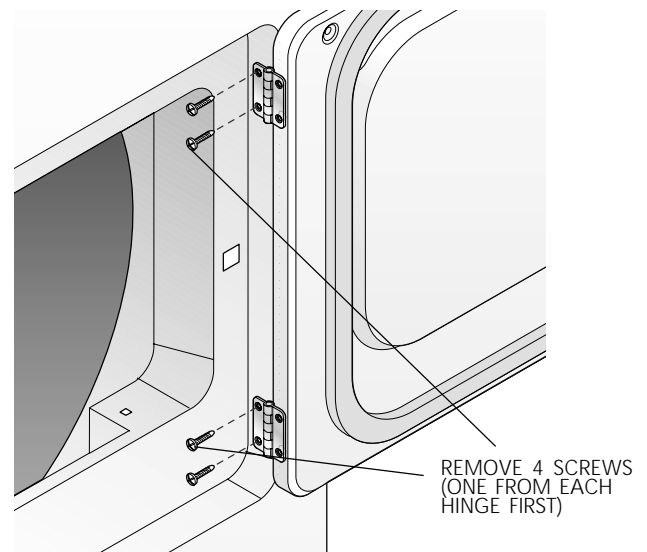


## REVERSING DOOR SWING

Your dryer is designed so the door swing may be reversed at any time without additional parts. Conversion is accomplished by transferring hinges to the opposite side of the cabinet.

**To change the direction of the door opening:**

- Open the dryer door. Remove the four hinge hole plugs from the left side of the door opening. Place nearby for future installation. **NOTE:** You may need a plastic knife to help pull out the plugs. Be careful not to scratch the paint.
- Remove the four screws that secure the door hinges to the dryer front panel (see below). **NOTE:** Remove one screw from each of the two hinges first. Hold the door firmly before removing the last two screws.
- Rotate the door 180° and reinstall the door hinges to the dryer front panel with the four screws.
- Install the four hinge hole plugs in the open screw holes on the right side of the door opening.



## ELECTRICAL INSTALLATION

### *ALL ELECTRIC Dryers*

**⚠ WARNING** The following are specific requirements for proper and safe electrical installation of your dryer. Failure to follow these instructions can create electrical shock and/or a fire hazard.

**⚠** This appliance **MUST** be properly grounded. Electrical shock can result if the dryer is not properly grounded. Follow the instructions in this manual for proper grounding.

**⚠** Do not use an extension cord with this dryer. Some extension cords are not designed to withstand the amounts of electrical current this dryer utilizes and can melt, creating electrical shock and/or fire hazard. Locate the dryer within reach of the receptacle for the length power cord to be purchased, allowing some slack in the cord. Refer to the pre-installation requirements in this manual for the proper power cord to be purchased.

**⚠** A U.L. approved strain relief must be installed onto power cord. If the strain relief is not attached, the cord can be pulled out of the dryer and can be cut by any movement of the cord, resulting in electrical shock.

**⚠** Do not use an aluminum wired receptacle with a copper wired power cord and plug (or vice versa). A chemical reaction occurs between copper and aluminum and can cause electrical shorts. **The proper wiring and receptacle is a copper wired power cord with a copper wired receptacle.**

**NOTE:** Dryers operating on 208 volt power supply will have longer drying times than operating on 240 volt power supply.

## GROUNDING REQUIREMENTS

### *Non-Canadian ELECTRIC Dryer*

**⚠ DANGER** Improper connection of the equipment grounding conductor can result in a risk of electrical shock. Check with a licensed electrician if you are in doubt as to whether the appliance is properly grounded.

For a grounded, cord-connected dryer:

1. The dryer **MUST** be grounded. In the event of a malfunction or breakdown, grounding will reduce the risk of electrical shock by a path of least resistance for electrical current.
2. If your dryer is equipped with a power supply cord having an equipment-grounding conductor and a grounding plug, the plug **MUST** be plugged into an appropriate, copper wired receptacle that is properly installed and grounded in accordance with all local codes and ordinances. If in doubt, call a licensed electrician.

For a permanently connected dryer:

1. The dryer **MUST** be connected to a grounded metal, permanent wiring system; or an equipment grounding conductor must be run with the circuit conductors and connected to the equipment-grounding terminal or lead on the appliance.

### *Canadian ELECTRIC Dryer*

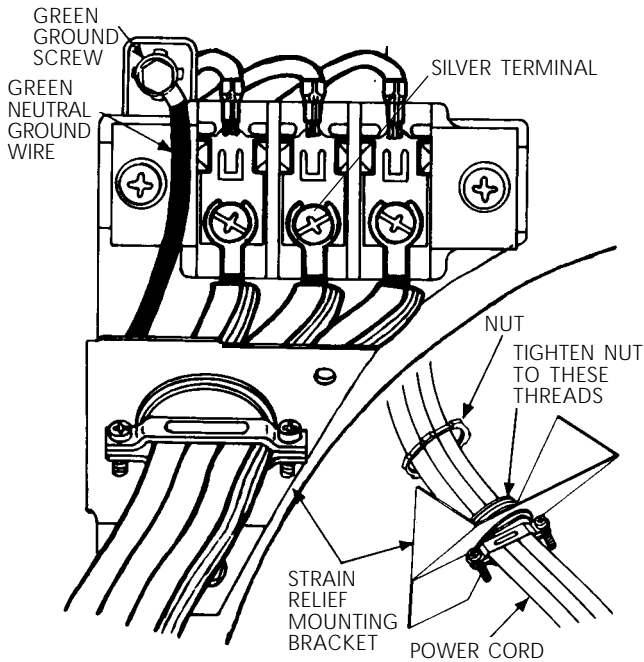
**⚠ DANGER** Improper connection of the equipment grounding conductor can result in a risk of electrical shock. Check with a licensed electrician if you are in doubt as to whether the appliance is properly grounded.

For a grounded, cord-connected dryer:

1. The dryer must be grounded. In the event of a malfunction or breakdown, grounding will reduce the risk of electrical shock by a path of least resistance for electrical current.
2. Since your dryer is equipped with a power supply cord having an equipment-grounding conductor and a grounding plug, the plug must be plugged into an appropriate outlet that is properly installed and grounded in accordance with all local codes and ordinances. If in doubt, call a licensed electrician.

### *ALL GAS Dryers*

This dryer is equipped with a three-prong (grounding) plug for your protection against shock hazard and should be plugged directly into a properly grounded three-prong receptacle. Do not cut or remove the grounding prong from this plug.



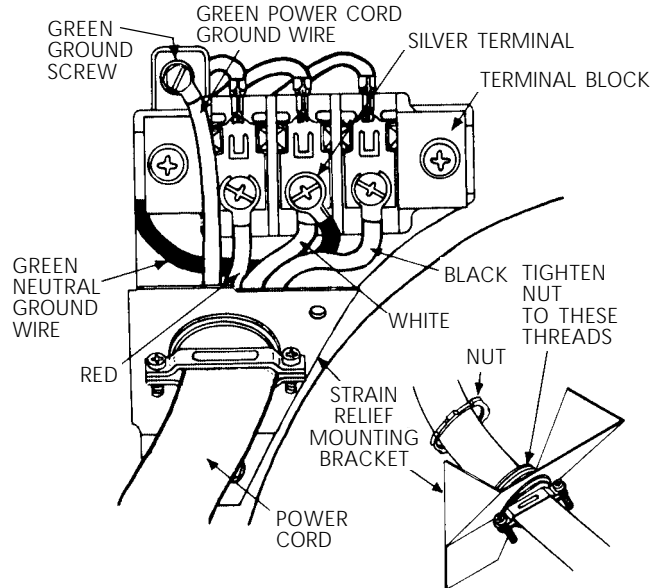
### ELECTRICAL CONNECTIONS FOR 3-WIRE SYSTEM

#### *Non-Canadian ELECTRIC Dryer*

1. Remove the screws securing the terminal block access cover and the strain relief mounting bracket located on the back of the dryer upper corner.
2. Install a U.L. approved strain relief into the power cord entry hole of the mounting bracket. Finger tighten the nut only at this time.
3. Thread a U.L. approved 30 amp. power cord, NEMA 10-30 Type SRDT, through the strain relief.
4. Attach the power cord neutral (center wire) conductor to the silver colored center terminal on the terminal block. Tighten the screw securely.
5. Attach the remaining two power cord outer conductors to the outer brass colored terminals on the terminal block. Tighten both screws securely.

**⚠ WARNING** Do not make a sharp bend or crimp wiring/conductor at connections.

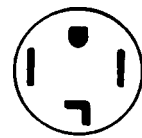
6. Reattach the strain relief mounting bracket to the back of the dryer with two screws. Tighten screws securely.
7. Tighten the screws securing the cord restraint firmly against the power cord.
8. Tighten the strain relief nut securely so that the strain relief does not turn.
9. Reinstall the terminal block cover.



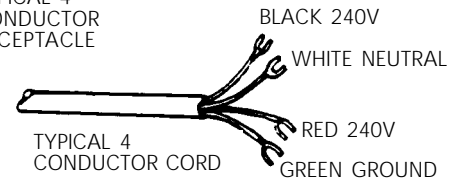
### ELECTRICAL CONNECTIONS FOR 4-WIRE SYSTEM

#### *Non-Canadian ELECTRIC Dryer*

1. Remove the screws securing the terminal block access cover and the strain relief mounting bracket located on the back of the dryer upper corner.
2. Install a U.L. approved strain relief in the entry hole of the mounting bracket. Finger tighten the nut only at this time.
3. Remove the green neutral ground wire from the green ground screw located above the terminal block.



TYPICAL 4 CONDUCTOR RECEPTACLE



30 AMP NEMA 14-30 TYPE SRDT OR ST

4. Thread a U.L. approved 30 amp power cord, NEMA 14-30 type ST or SRDT through the strain relief.
5. Attach the green power cord ground wire to the cabinet with the green ground screw.
6. Attach the white (neutral) power cord conductor from the power cord and the green ground wire from the dryer harness to the silver-colored center terminal on the terminal block. Tighten the screw securely.
7. Attach the red and black power cord conductors to the outer brass-colored terminals on the terminal block.
- ⚠ WARNING** Do not make a sharp bend or crimp wiring/conductor at the connections.
8. Tighten the screws securing the cord restraint firmly against the power cord.
9. Tighten the strain relief nut securely so the strain relief does not turn.
10. Reinstall the terminal block access cover.



## INSTALLATION

### 1. GAS CONNECTION *(Gas dryers only)*

- a. Remove the shipping cap from gas pipe at the rear of the dryer.

**NOTE: DO NOT** connect the dryer to L.P. gas service without converting the gas valve. An L.P. conversion kit (P/N 131776600) must be installed by a qualified gas technician.

- b. Connect a 1/2 inch (1.27 cm) I.D. semi-rigid or approved pipe from gas supply line to the 3/8 inch (0.96 cm) pipe located on the back of the dryer. Use a 1/2 inch to 3/8 inch (1.27 cm to 0.96 cm) reducer for a connection. Apply an approved thread sealer that is resistant to the corrosive action of liquefied gases on all pipe connections.

- c. Open the shutoff valve in the gas supply line.

- d. Test all connections by brushing on a soapy water solution.  
**NEVER TEST FOR GAS LEAKS WITH AN OPEN FLAME.**

### 2. Connect the exhaust duct to outside exhaust system. Use duct tape to seal all joints.

### 3. With the dryer in its final position, adjust one or more of the legs until the dryer is resting solid on all four legs. Place a level on top of the dryer. **THE DRYER MUST BE LEVEL AND RESTING SOLID ON ALL FOUR LEGS.** Turn the lock nuts on each of the four legs up toward the base of the dryer and snug with a 1/2 inch open end wrench.

### 4. Plug the power cord into a grounded outlet. NOTE: Check to ensure the power is off at circuit breaker/fuse box before plugging the power cord into the outlet.

### 5. Turn on the power at the circuit breaker/fuse box.

**CAUTION** *Before operating the dryer, make sure the dryer area is clear and free from combustible materials, gasoline, and other flammable vapors. Also see that nothing (such as boxes, clothing, etc.) obstructs the flow of combustion and ventilation air.*

### 6. Run the dryer through a cycle check for proper operation.

**NOTE:** On gas dryers, before the burner will light, it is necessary for the gas line to be bled of air. If the burner does not light within 45 seconds the first time the dryer is turned on, the safety switch will shut the burner off. If this happens, turn the timer to "OFF" and wait 5 minutes before making another attempt to light.

### 7. If your dryer does not operate, please review the "Avoid Service Checklist" located in your Owner's Guide before calling for service.

### 8. Place these instructions in a location near the dryer for future reference.

**NOTE:** A wiring diagram is located inside the dryer console or under the top panel.

## REPLACEMENT PARTS

If replacement parts are needed for your dryer, contact the source where you purchased your dryer.

**CAUTION** Label all wires prior to disconnection when servicing controls. Wiring errors can cause improper and dangerous operation. Verify proper operation after servicing.

**WARNING** Destroy the carton and plastic bags after the dryer is unpacked. Children might use them for play. Cartons covered with rugs, bedspreads, or plastic sheets can become airtight chambers causing suffocation. Place all materials in a garbage container or make materials inaccessible to children.

**WARNING** The instructions in this manual and all other literature included with this dryer are not meant to cover every possible condition and situation that may occur. Good safe practice and caution **MUST** be applied when installing, operating and maintaining any appliance.