

WASHER INSTALLATION INSTRUCTIONS

洗衣机安装说明

Table of Contents

目錄

WASHER SAFETY	1	洗衣机安全信息	9
INSTALLATION REQUIREMENTS	2	安装要求	10
Tools and Parts	2	工具和部件	10
Location Requirements.....	3	安放地点要求.....	10
Drain System	3	排水系统.....	11
Electrical Requirements	4	电源要求.....	11
INSTALLATION INSTRUCTIONS	4	安装说明	12
Before You Start.....	4	开始之前.....	12
Remove Shipping Strap.....	4	拆除包装材料.....	12
Connect Drain Hose.....	5	连接排水管.....	13
Connect the Inlet Hoses	5	连接进水管.....	14
Secure the Drain Hose.....	6	装好排水管.....	15
Level the Washer.....	7	平稳放置洗衣机.....	15
Complete Installation	8	完成安装.....	16

WASHER SAFETY

Your safety and the safety of others are very important.

We have provided many important safety messages in this manual and on your appliance. Always read and obey all safety messages.



This is the safety alert symbol.

This symbol alerts you to potential hazards that can kill or hurt you and others.

All safety messages will follow the safety alert symbol and either the word "DANGER" or "WARNING."

These words mean:

⚠ DANGER

You can be killed or seriously injured if you don't immediately follow instructions.

⚠ WARNING

You can be killed or seriously injured if you don't follow instructions.

All safety messages will tell you what the potential hazard is, tell you how to reduce the chance of injury, and tell you what can happen if the instructions are not followed.

INSTALLATION REQUIREMENTS

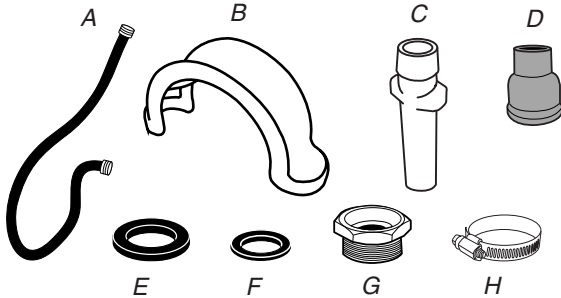
Tools and Parts

Gather the required tools and parts before starting installation. The parts supplied are in the washer basket.

Tools needed for connecting the drain hose and water inlet hoses:

- Pliers that open to 3.95 cm (1 $\frac{9}{16}$ ")
- Flat-blade screwdriver
- Flashlight (optional)

Parts supplied:



- A. Water inlet hose (2)
- B. Drain hose form
- C. Drain hose extension
- D. Drain hose coupling
- E. Large flat washer (4)
- F. Small flat washer (2)
- G. Inlet hose adapter
- H. Hose clamp (2)

Tools needed for securing the drain hose and leveling the washer:

- Adjustable or open end wrench 14 mm ($\frac{9}{16}$ ")
- Level
- Wood block
- Ruler or measuring tape

Parts supplied:



- A. Beaded tie strap
- B. Front leveling feet with nuts (2)

Alternate Parts

Your installation may require additional parts. For information on ordering, please refer to the toll-free phone numbers on the front page of the Washer User Instructions.

If You Have:	You Will Need to Buy:
Laundry tub or standpipe taller than 2.4 m (96")	Sump pump system (if not already available)
Overhead sewer	Standard 76 L (20 gal.) 99 cm (39") tall drain tub or utility sink, sump pump and connectors (available from local plumbing suppliers)
Floor drain	Siphon break kit, Part Number 280129; additional drain hose, Part Number 3357090
Water faucets beyond reach of fill hoses	2 longer water fill hoses: 1.8 m (6 ft) Part Number 76314, 3.0 m (10 ft) Part Number 350008
Drain hose too short	Drain hose kit, Part Number 280131
Lint clogged drain	Drain protector, Part Number 367031

Location Requirements

Selecting the proper location for your washer improves performance and minimizes noise and possible washer "walk."

Your washer can be installed in a basement, laundry room, closet, or recessed area. See "Drain System."

IMPORTANT: Do not install or store the washer where it will be exposed to the weather.

Proper installation is your responsibility.

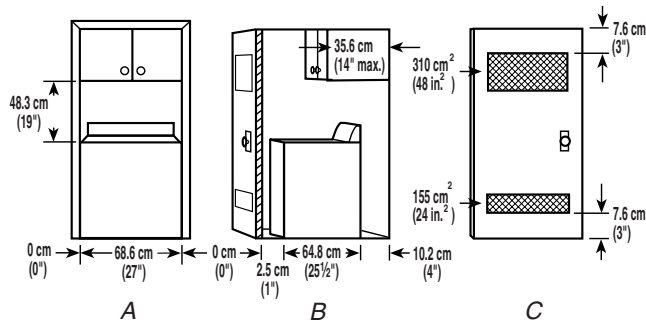
You will need:

- A water heater set to deliver 49°C (120°F) water to the washer.
- An earthed electrical outlet located within 1.2 m (4 ft) of where the power cord is attached to the back of the washer. See "Electrical Requirements."
- Hot and cold water faucets located within 90 cm (3 ft) of the hot and cold water fill valves, and water pressure of 34.5-690 kPa (5-100 psi). Washers with triple dispensers require 138-690 kPa (20-100 psi) for best performance.
- A level floor with a maximum slope of 2.5 cm (1") under entire washer. Installing the washer on carpeting is not recommended. Ventilation openings in the base must not be obstructed by carpet.
- A sturdy floor to support the washer weight (washer, water and load) of 143 kg (315 lbs).

Do not store or operate your washer in temperatures at or below 0°C (32°F). Some water can remain in the washer and can cause damage in low temperatures. See "Washer Care" in the Washer User Instructions for winterizing information.

Recessed area or closet installation

The dimensions shown are for the recommended spacing allowed (A and B), except the closet door ventilation openings. The dimensions shown for the closet door ventilation openings (C) are the minimum required.



A. Front view
B. Side view
C. Closet door with vents

- Additional spacing should be considered for ease of installation and servicing.
- Additional clearances may be required for wall, door and floor moldings.
- Additional spacing of 2.5 cm (1") on all sides of the washer is recommended to reduce noise transfer.
- If a closet door is installed, the minimum air openings in the top and bottom of the door are required (C). Louvered doors with air openings in the top and bottom are acceptable.
- Companion appliance spacing should also be considered.

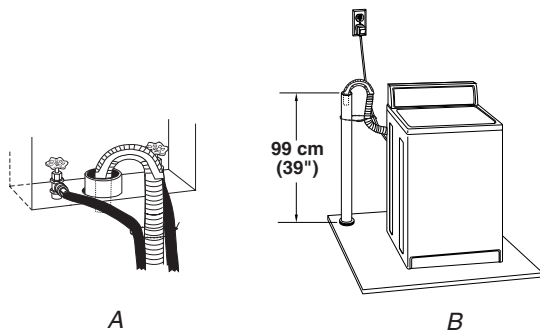
Drain System

The washer can be installed using the standpipe drain system (floor or wall), the laundry tub drain system, or the floor drain system. Select the drain hose installation method you need. See "Tools and Parts."

Standpipe drain system - wall or floor (views A & B)

The standpipe drain requires a minimum diameter standpipe of 5 cm (2"). The minimum carry-away capacity can be no less than 64 L (17 gal.) per minute. A 3.2 cm (1 1/4") diameter to 2.5 cm (1") diameter standpipe adapter kit is provided.

The top of the standpipe must be at least 99 cm (39") high and no higher than 244 cm (96") from the bottom of the washer. Additional hoses may be needed.



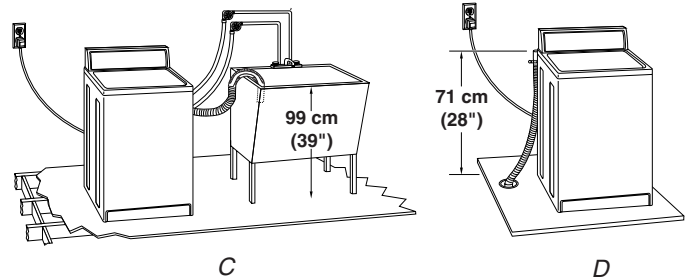
Laundry tub drain system (view C)

The laundry tub needs a minimum 76 L (20 gal.) capacity. The top of the laundry tub must be at least 99 cm (39") above the floor and no higher than 244 cm (96") from the bottom of the washer.

Floor drain system (view D)

The floor drain system requires a siphon break that may be purchased separately. See "Tools and Parts."

The siphon break must be a minimum of 71 cm (28") from the bottom of the washer. Additional hoses might be needed.



Electrical Requirements

⚠ WARNING



Electrical Shock Hazard

Electrically earth this appliance.

Do not use an extension cord or an electrical portable outlet device.

Failure to follow these instructions can result in death, fire, or electrical shock.

- A 230 volt, 50 Hz., AC only, 10-amp, fused electrical supply is required. A time-delay fuse or circuit breaker is recommended. It is recommended that a separate circuit serving only this appliance be provided.
- This washer is equipped with a power supply cord having an earthing plug.
- To minimize possible shock hazard, the cord must be plugged into a mating, earthing-type outlet, earthed in accordance with local codes and ordinances. If a mating outlet is not available, it is the personal responsibility and obligation of the customer to have the properly earthed outlet installed by a qualified electrician.

- If codes permit and a separate earth wire is used, it is recommended that a qualified electrician determine that the earth path is adequate.
- The installer is to confirm, through the local power supply authority, if necessary, that the machine is connected to a power supply with a maximum impedance of $0.068 + j0.043$ ohms for phases (RA + jXA) and $0.0455 + j0.02844$ ohms for neutral (RN + jXN).
- Do not earth to a gas pipe.
- Check with a qualified electrician if you are not sure the washer is properly earthed.
- Do not have a fuse in the neutral or earth circuit.

EARTHING INSTRUCTIONS

For an earthed, cord-connected washer:

This washer must be earthed. In the event of a malfunction or breakdown, earthing will reduce the risk of electrical shock by providing a path of least resistance for electric current. This washer is equipped with a cord having an equipment-earthing conductor and an earthing plug. The plug must be plugged into an appropriate outlet that is properly installed and earthed in accordance with all local codes and ordinances.

WARNING: Improper connection of the equipment-earthing conductor can result in a risk of electric shock. Check with a qualified electrician or serviceman if you are in doubt as to whether the appliance is properly earthed.

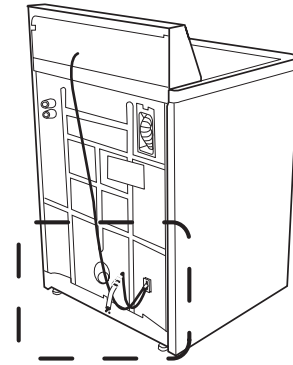
Do not modify the plug provided with the appliance – if it will not fit the outlet, have a proper outlet installed by a qualified electrician.

For a permanently connected washer:

This washer must be connected to an earthed metal, permanent wiring system, or an equipment earthing conductor must be run with the circuit conductors and connected to the equipment-earthing terminal or lead on the appliance.

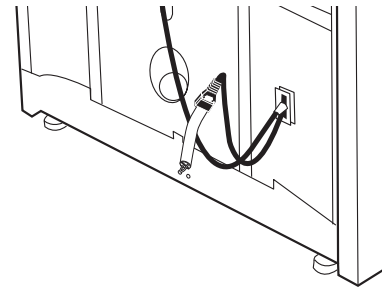
2. The washer must be in the upright position and not tilted before removing the shipping material.
3. Locate the yellow shipping materials on the rear of the machine, near the bottom. Follow the steps for your particular model, either the one with the straight power cord and cord restraint or the looped power cord version.

Straight power cord

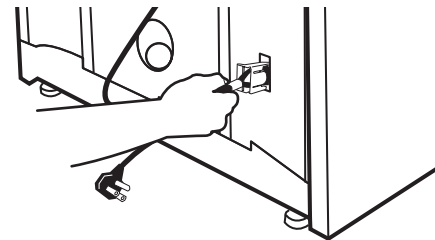


Straight power cord

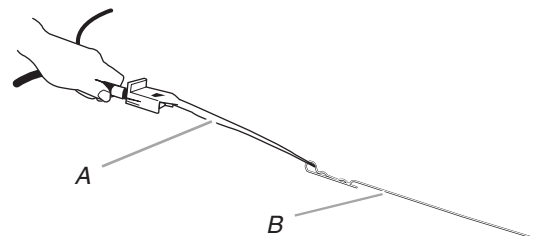
1. Remove power plug and yellow strap from machine base to release the rear leveling system.



2. Firmly grasp the power cord and pull to completely remove the power cord, cord restraint, and pin from the rear panel.



3. Confirm that the power cord restraint (A), and pin (B) are removed.



A. Power cord restraint B. Pin

INSTALLATION INSTRUCTIONS

Before You Start

⚠ WARNING

Excessive Weight Hazard

Use two or more people to move and install washer.
Failure to do so can result in back or other injury.

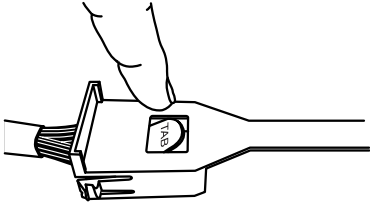
NOTE: To avoid floor damage, set the washer onto cardboard before moving across floor.

Remove Shipping Materials

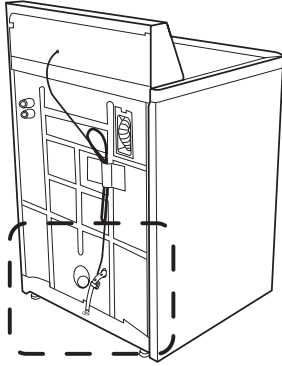
Removing the shipping material is necessary for proper operation. If the shipping material is not removed, the washer will make excessive noise.

1. Move the washer to within approximately 90 cm (3 ft) of its final location.

- To remove the power cord from the cord restraint, push the power cord in, press TAB, and then pull the power cord out.

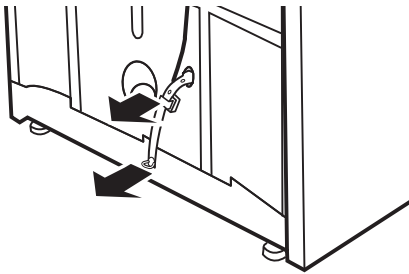


Looped power cord

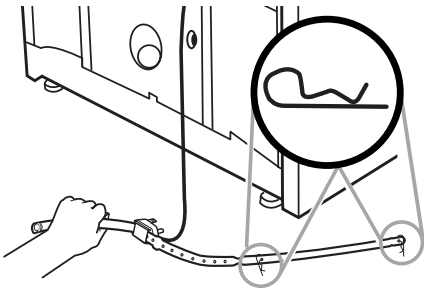


Looped power cord

- Firmly grasp the yellow shipping strap and pull until both ends are completely removed from washer.



- Check that two (2) cotter pins were removed with the shipping strap.

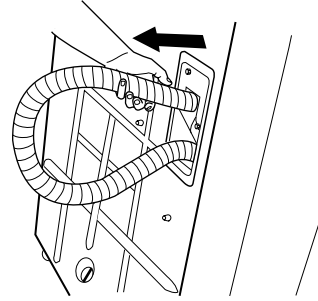


Connect Drain Hose

Proper connection of the drain hose protects your floors from damage due to water leakage. Read and follow these instructions. The drain hose is connected to your washer and is stored inside the washer cabinet.

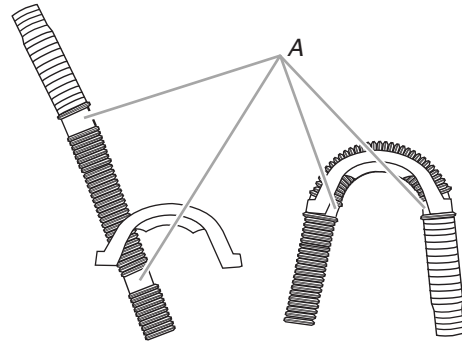
Remove drain hose from washer cabinet

Gently pull the corrugated drain hose out of the washer from the top of the hose. Continue to pull the hose until the end emerges. Do not force excess drain hose back into the rear of the washer.



Laundry tub drain or standpipe drain

Connecting the drain hose form to the corrugated drain hose

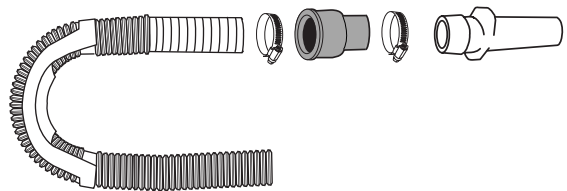


A. Drain hose reliefs

- Feed end of drain hose into one end of form. Place end of drain hose form into the drain hose relief.
- Bend the hose over the top of the form and feed into the other end of the form.

If drain hose does not fit into standpipe or if placing over the edge of a laundry tub:

- Place coupling on end of drain hose. Use a screwdriver to install hose clamp.
- Then slide the second hose clamp onto coupling. Insert end of adapter into coupling. Use a screwdriver to install second hose clamp over coupling.



To keep drain water from going back into the washer:

- Do not force excess drain hose into standpipe. Hose should be secure but loose enough to provide a gap for air.
- Do not lay excess hose on the bottom of the laundry tub.

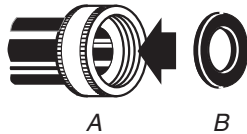
Floor drain

Do not install the drain hose form on to the corrugated drain hose. You may need additional parts. See Floor drain under "Tools and Parts."

Connect the Inlet Hoses

The washer must be connected to the water faucets using the new inlet hoses. Do not use old hoses.

Insert new flat washers (supplied) into each end of the inlet hoses. Firmly seat the washers in the couplings.

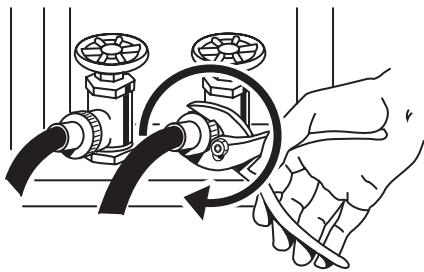


A. Coupling
B. Washer

Connect the inlet hoses to the water faucets

Make sure the washer basket is empty.

1. Attach the hose labeled hot to the hot water faucet. Screw on coupling by hand until it is seated on the washer.
2. Attach the hose labeled cold to the cold water faucet. Screw on coupling by hand until it is seated on the washer.
3. Using pliers, tighten the couplings with an additional two-thirds turn.

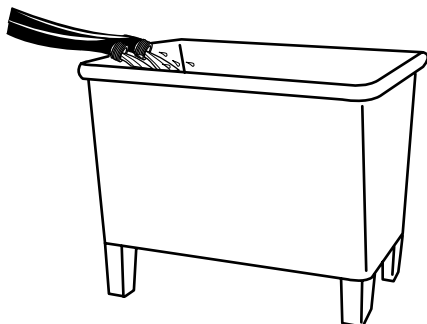


Tighten the couplings with an additional two-thirds turn.

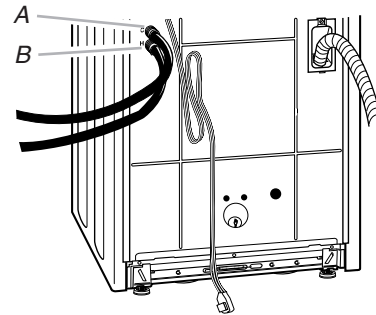
NOTE: Do not overtighten or use tape or sealants on the valve. Damage to the valves can result.

Clear the water lines

- Run water through both faucets and inlet hoses, into a laundry tub, drainpipe or bucket, to get rid of particles in the water lines that might clog the inlet valve screens.
- Check the temperature of the water to make sure that the hot water hose is connected to the hot water faucet and that the cold water hose is connected to the cold water faucet.

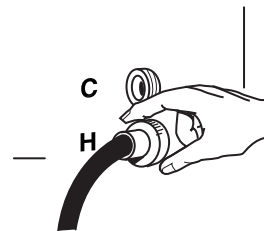


Connect the inlet hoses to the washer



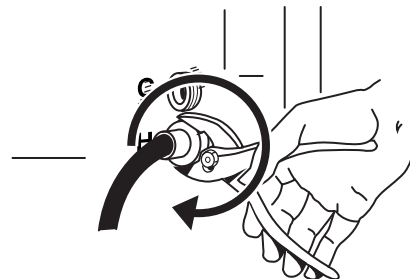
A. Cold water inlet valve
B. Hot water inlet valve

1. Attach the hot water hose to the bottom inlet valve.
2. Attaching the hot water coupling first makes it easier to tighten connection with pliers.
3. Screw on coupling by hand until it is seated on the washer.



4. Using pliers, tighten the couplings with an additional two-thirds turn.

NOTE: Do not overtighten or use tape or sealants on the valve. Damage to the valves can result.



5. Attach the cold water hose to the top inlet valve.
6. Screw on coupling by hand until it is seated on the washer.
7. Using pliers, tighten the couplings with an additional two-thirds turn.

NOTE: Do not overtighten or use tape or sealants on the valve. Damage to the valves can result.

Check for leaks

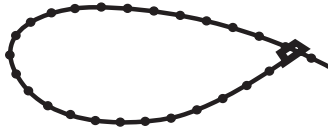
Turn on the water faucets and check for leaks. A small amount of water might enter the washer. You will drain this later.

NOTE: Replace inlet hoses after 5 years of use to reduce the risk of hose failure. Record hose installation or replacement dates for future reference.

- If you connect only one water hose, you must cap off the remaining water inlet port.
- Periodically inspect and replace hoses if bulges, kinks, cuts, wear, or leaks are found.

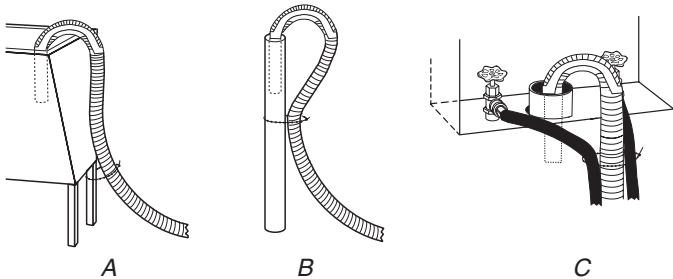
Secure the Drain Hose

1. Remove the shipping strap from the power cord. Drape the power cord over the console.
2. Remove any cardboard used to move washer.



Beaded tie strap

3. Wrap the drain hose to the laundry tub leg or drain standpipe with the beaded tie strap. Push fastener into the nearest hole in the beaded tie strap. See view A or B.



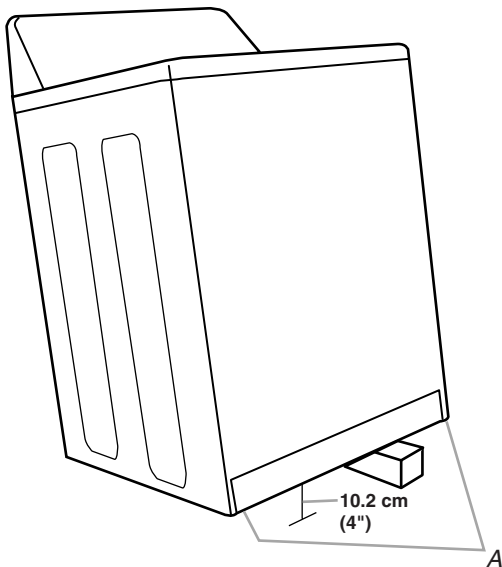
If the washer faucets and the drain standpipe are recessed, put the formed end of the drain hose into the standpipe. Tightly wrap the tie strap around the water inlet hoses and the drain hose. See view C.

Level the Washer

Properly leveling your washer avoids excessive noise and vibration.

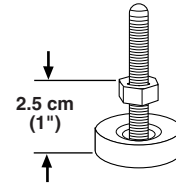
Install the Front Leveling Feet

1. Prop up the front of the washer about 10.2 cm (4") with a wood block or similar object. The block needs to support the weight of the washer.



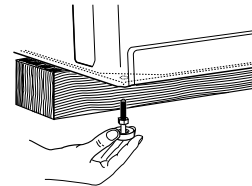
A. Threaded holes for feet

2. Screw the locknut onto each foot to within 2.5 cm (1") of the foot base.



3. Screw the feet into the threaded holes at the front corner of the washer until the nuts touch the washer. Twist the feet to install.

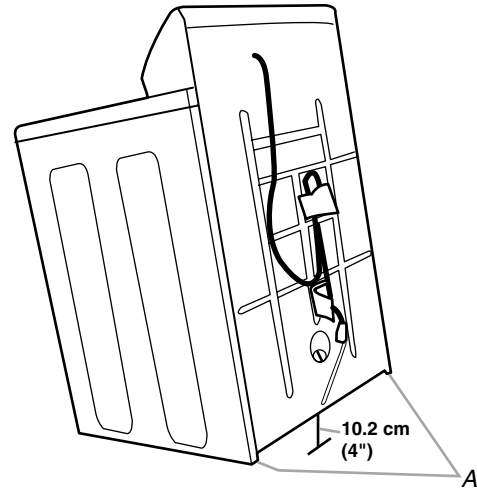
NOTE: Do not tighten the nuts until the washer is level.



4. Tilt the washer back and remove the wood block. Gently lower the washer to the floor.

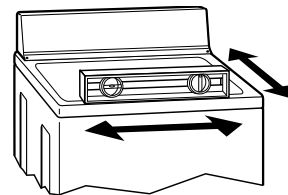
Steps in Final Location

1. Slide the washer to its final location.
2. Tilt the washer forward until the rear of the washer is at least 10.2 cm (4") off the floor. You may hear the self-adjusting rear feet click into place. Lower the washer to the floor.

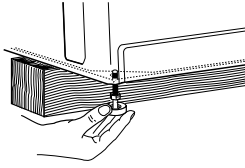


A. Self-adjusting feet

3. Check the levelness of the washer by placing a level on the top edges of the washer, first side to side, then front to back.

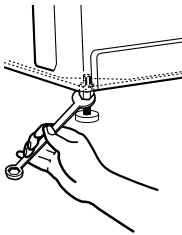


4. If the washer is not level, move the washer out slightly, tip back, prop up the front of the washer with the wood block and adjust the feet up or down as necessary by twisting the feet. Turn the feet clockwise to raise the washer or counterclockwise to lower the washer. Repeat steps 1 through 4 until washer is level.



5. After the washer is in its final location and level, use a 14 mm or 9/16" open-end wrench to turn the nuts counterclockwise on the feet tightly against the washer cabinet.

IMPORTANT: If the nuts are not tight against the washer cabinet, the washer may vibrate.



Complete Installation

1. Check the electrical requirements. Be sure that you have the correct electrical supply and the recommended earthing method. See "Electrical Requirements."
2. Check that all parts are now installed. If there is an extra part, go back through the steps to see which step was skipped.
3. Check that you have all of your tools.
4. Check that the yellow shipping strap was completely removed from the lower back of the washer.
5. Dispose of/recycle all packaging materials.
6. Check that the water faucets are on.
7. Check for leaks around faucets and inlet hoses.

⚠ WARNING



Electrical Shock Hazard

Electrically earth this appliance.

Do not use an extension cord or an electrical portable outlet device.

Failure to follow these instructions can result in death, fire, or electrical shock.

8. Plug into an earthed outlet.
9. Remove the protective film on the console and any tape remaining on the washer.
10. Read "Washer Use" in the Washer User Instructions.
11. To test and to clean your washer, measure 1/2 of the normal recommended amount of powdered or liquid detergent and pour it into the washer basket or detergent dispenser (on some models). Close the lid. Select any cycle, and then pull the cycle control knob out to start the washer. Allow it to complete one whole cycle.

洗衣机安装说明

洗衣机安全信息

您以及其他人的安全非常重要

我们在用户手册以及机器上面里提供了许多安全信息。请您务必阅读和遵守这些安全信息。



这是安全警告符号。

该符号警告您有潜在的危險，可能造成您或者其他人死亡或者受伤。

所有安全信息都会跟在安全警告符号后面，以及有“DANGER（危險）”或者“WARNING（警告）”字样。

这两个词的意思是：

 **危險**

如果您没有立即按照说明操作，您可能致死或者严重受伤。

 **警告**

如果您没有按照说明操作，您可能致死或者严重受伤。

所有安全信息都会告诉您有什么潜在的危險，告诉您如何减少受伤的危險，以及如果没有按照说明操作会发生什么事故。

安装要求

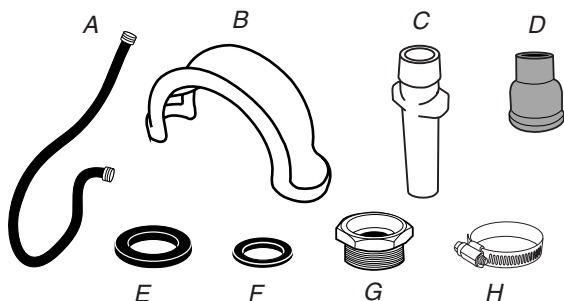
工具和部件

安装之前, 请准备好需要的工具和部件。提供的部件在洗衣篮里面。

连接排水管和进水管的工具:

- 可以张开到3.95 cm (1 9/16") 的钳子
- 手电筒 (可选)
- 一字螺丝刀

提供的部件:

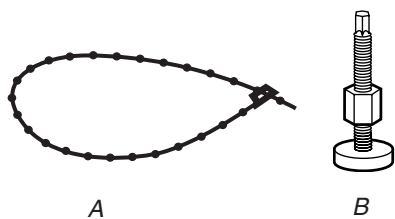


- A. 进水管 (2)
- B. 排水管固定模
- C. 排水管延长段
- D. 排水管接头
- E. 大平垫圈 (4)
- F. 小平垫圈 (2)
- G. 进水管接头
- H. 水管夹子 (2)

固定好排水管和平衡放置洗衣机需要的工具:

- 可调整或者开口可达 14 mm (9/16") 的板钳
- 木块
- 平衡器
- 尺子或者测量尺

提供的部件:



- A. 带珠状捆带
- B. 前脚带螺母平衡脚 (2)

备用部件

您安装的时候可能需要另外的部件。想要获得相关订购信息, 请参见洗衣机用户手册封面上的免费电话号码。

如果您有	您必须购买
洗衣盆或者高于 2.4 m (96" 英寸) 的竖管	水窝水泵系统 (如果还没有)
高架下水道	标准 76 L (20 gal 加仑) 99 cm (39" 英寸) 高的排水缸或者实用水槽, 水窝水泵和连接器 (当地水软供应商有卖)
地面排水	虹吸管套件, 部件编号 280129; 额外排水管 部件编号 3357090
进水管够不着水龙头	2 根稍长的进水管: 1.8 m (6ft) 部件号 76314, 3.0m (10 ft) 部件号 350008
排水管太短	排水管套件, 部件编号 280131
软麻布塞	排水防漏件, 部件编号 367031

安放地点要求

选择一个适当的地点安放洗衣机, 可以最大限度减少噪音以及防止洗衣机“滑动”。

您可将洗衣机安装在地下室、洗衣房、橱柜或者墙角等地方。请参看“排水系统”。

重要提示: 请不要将洗衣机安放在露天下。

您必须正确安装。

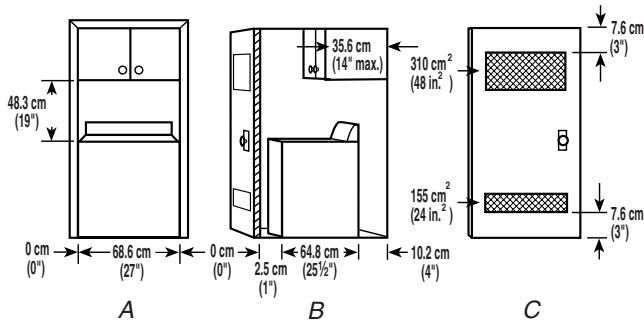
您还需要:

- 可以为洗衣机提供 49°C (120°F) 水的热水器。
- 一个接地插座, 距离洗衣机 1.2m (4 ft) 以内, 洗衣机背部的电线可以够得着。参看“电源要求”。
- 热水和冷水水龙头, 距离冷水和热水注水阀门 90 cm (3 ft) 以内, 而且水压为 34.5-690 kPa (5-100 psi)。带三个分配器的洗衣机需要 138-690 kPa (20-100 psi) 才可以更好运作。
- 一块平整的地板, 至多在洗衣机下的倾斜度不超过 2.5 cm (1" 英寸)。建议不要将洗衣机安放在地毯上。底部通风不要被地毯阻碍。
- 地板必须坚固以支撑洗衣机的重量 (洗衣机、水和衣物) 约 143 kg (315 lbs)。

不要在温度低于 0°C (32°F) 的地方存放或者运行洗衣机。一些水可能还积存在洗衣机内, 可能在低温的时候损坏洗衣机。请参看洗衣机用户手册内“洗衣机维护”有关御寒内容。

墙角或者橱柜里安装

图中所示的尺寸是建议需要的空间 (图 A 和 B), 不包括出轨通风开口。图 C 是通风口需要的最少尺寸。



A. 前面
B. 侧面
C. 带通风口的橱柜

- 为了便于安装和调整等, 可能需要更多的空间。
- 可能还要清除墙壁、门和地板上的装饰。
- 洗衣机各面还要至少 2.5 cm (1") 的空间可以减少噪音传播。
- 如果有橱柜门, 在门的上部 and 下部要有最少通气需要的开口。在门上面和下面可以装百叶窗 (C)。
- 还要考虑与其他电器等的空间距离。

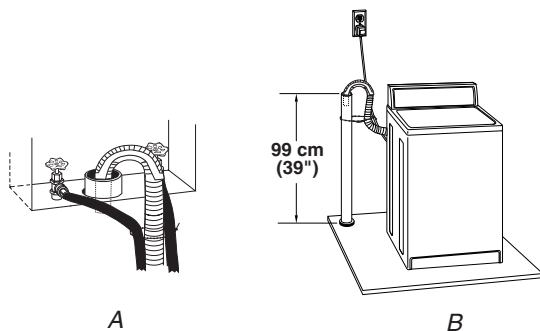
排水系统

洗衣机的排水可以接到竖管排水系统 (地板或者墙壁上)、洗衣盆排水系统或者地面排水系统。您可以自己选择需要的排水管安装方式。请参看“工具和部件”。

竖管排水系统-地板或者墙壁上 (请看图 A & B)

竖管排水系统需要最小直径 5 cm (2" 英寸) 的竖管。排水能力最少为每分钟 64 L (17 gal. 加仑)。直径 3.2 cm (1 1/4" 英寸) 至 2.5 cm (1" 英寸) 的竖管接合器已经提供。

竖管顶端的高度必须至少 99 cm (39" 英寸), 但从洗衣机底部算起不能超过 244 cm (96" 英寸)。也可能需要另加水管。



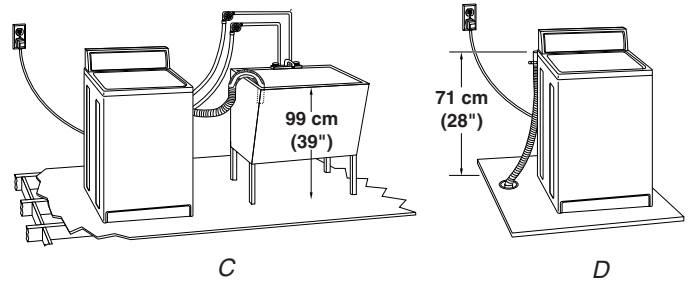
洗衣盆排水系统 (图 C)

洗衣盆需要至少有 76 L (20 gal. 加仑) 的容量。洗衣盆的顶端至少要距离地面 99 cm (39" 英寸), 并且洗衣机底部算起不能高于 244 cm (96" 英寸)。

地面排水系统 (图 D)

地面排水系统需要一根吸虹管, 可以单独购买。参看“工具和部件”。

吸虹管至少必须距离洗衣机底部 71 cm (28" 英寸)。也许需要另外的水管。



电源要求

警告



电击危险

请将电器接地。

请不要使用加长电线或者一个手提式便携式插座设备。

如不按此操作, 可能造成死亡、起火或者电击。

- 需要带保险丝的电源为 230 伏特, 50 Hz, AC (交流电), 10-安培。建议使用延长保险丝或者电流断路器。建议单独使用一股电源。
- 洗衣机提供了带接地插座的电源线。
- 为了尽量减少电击的危险, 电线必须插到一个与之相匹配的接地插头插座, 根据当地的规定进行接地。如果没有相对应的插头插座, 那么用户有义务请合格的电工来安装一个接地的插座。

- 如果当地法规允许并且使用单独接地电线，建议请有资格的电工来确定该接地线路的长度。
- 如果有必要，安装者必须从当地电力供应机关获取信息，以确定机器所接的电源供应两相 (RA + jXA) 最大阻抗是 $0.068 + j0.043$ 欧姆，而中性相 (RN + jXN) 为 $0.0455 + j0.02844$ 欧姆。
- 不要将接地接到燃气管。
- 如果您不能确定是否正确接地，请电工帮您检查一下。
- 不要在中性相或者接地电流上接保险丝。

接地说明

对于一台连接接地电源的洗衣机：

该洗衣机必须接地。如果洗衣机出现故障或者出错了，接地可以通过提供一条最小电阻的电流通路，而减少电击的危险。该洗衣机提供了配有一条接地导线和接地插头的电线。插头必须插到一个适当的插座，该插座必须安装正确并且根据当地规定进行接地。

警告： 不恰当连接电器的接地导线可能引起电击的危险。如果您有怀疑，请一个电工或者服务人员帮忙检查是否正确接地。

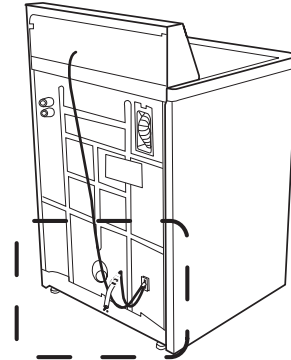
不要修改洗衣机配送的插头-如果它不适合某插座，请电工安装一个合适的插座。

对于一台永久接电的洗衣机：

该洗衣机必须连接到一个接地的金属，永久的电线系统，或者，设备接地导线必须与循环导线一起，而且连接到设备的接地终端或者洗衣机的导线。

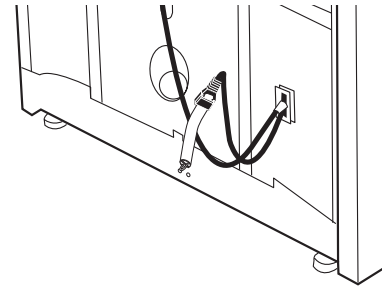
2. 在取下洗衣机包装材料的时候，洗衣机必须是垂直放置的，不能倾斜。
3. 找到洗衣机背面下边的黄色包装材料。根据您的特殊型号需要的步骤，或者是垂直接电源线和电线扣子或者是电线线圈类型。

直线电线

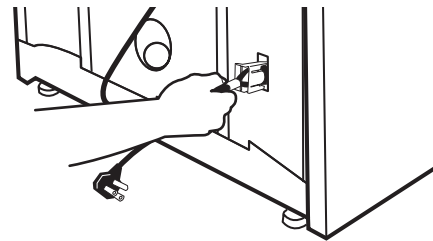


直线电线

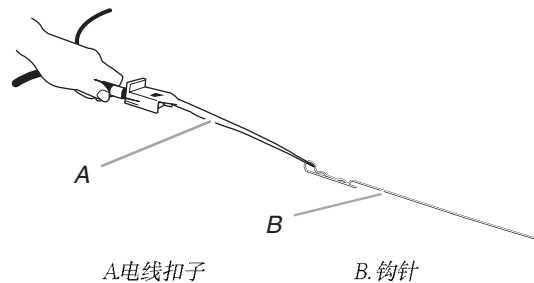
1. 从机器底部取下电源插头和黄色的带子，以便可以进行后部平衡调整。



2. 紧紧抓住电线，从后面面板上完全拔起电线、电线扣子以及钩针。



3. 确信电线扣子 (A), 和钩针 (B) 都已取下。



A. 电线扣子

B. 钩针

安装说明

开始之前

警告

超重危险

请两个或者更多人来搬运和安装洗衣机。
如没有如此操作，可能会造成背部或者其他部位受伤。

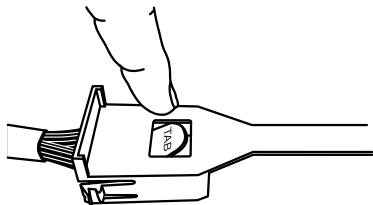
注意： 为了避免损坏地板，在搬动洗衣机经过地板时，请在洗衣机下垫上纸板。

拆除包装材料

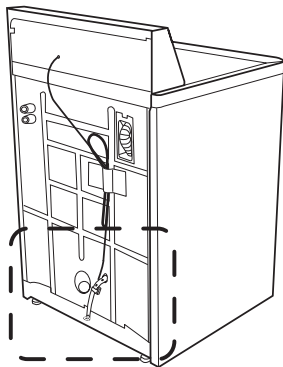
为了正常操作，取下包装材料是必要的。如果包装材料没有取下来，洗衣机可能会产生过大的噪音。

1. 将洗衣机搬到距离最终放置地点 90 cm (3 ft) 处。

4. 要解开电线扣子，请按下电线，按扣子按钮，然后拔出电线。

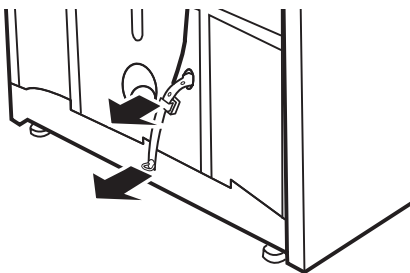


放置线圈的电线

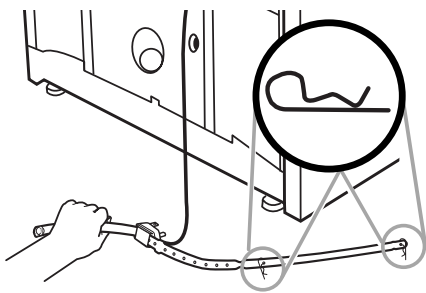


放置线圈的电线

1. 用力抓住黄色的包装带子并向外拉，直到两端都已经脱离洗衣机。



2. 检查两个开尾销，是否都随着包装带一起取下。



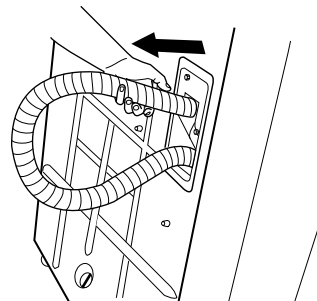
连接排水管

正确连接排水管可以避免地板因为漏水而损坏。请阅读并遵循这些说明。

排水管连接到您的洗衣机并且放在洗衣机后背箱里面。

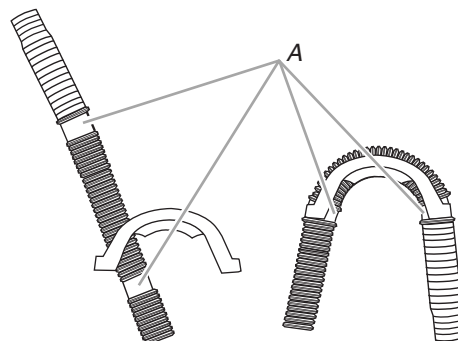
从洗衣机后背箱里取出排水管

轻轻拉住上部螺纹胶管，从洗衣机后背箱里拉出。一直拉，直到出现尾部。不要将过长水管塞进洗衣机背部。



洗衣盆排水或者竖管排水

将排水管固定模装在螺纹管上

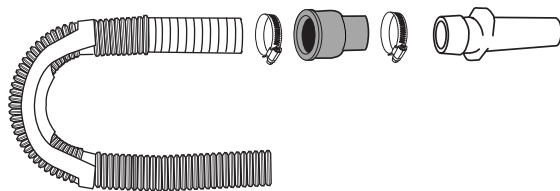


A. 排水管无螺纹处

1. 将一端排水管卡入固定模的一端。将固定模卡在排水管无螺纹处。
2. 顺着固定模弯曲水管并将水管卡入固定模的另外一端。

如果排水管无法适配竖管或者无法接到洗衣盆的边上：

- 将接头套在排水管端。使用螺丝起子将管夹装上去。
- 然后将第二个管夹滑到接头上。将接合器插入接头。使用螺丝刀装好第二个管夹，夹在接头上。



要阻止排出的水返流到洗衣机：

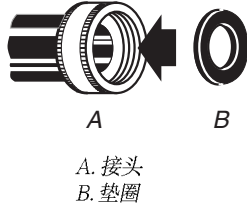
- 不要将过长水管塞进竖管内。水管必须固定住但是要能够让空气进入。
- 不要将过长水管放置在洗衣盆底部。

地板排水

不要将排水管固定模安装在螺纹胶管上。您可能需要另外的部件。请参看“工具和部件”下的地板排水内容。

连接进水管

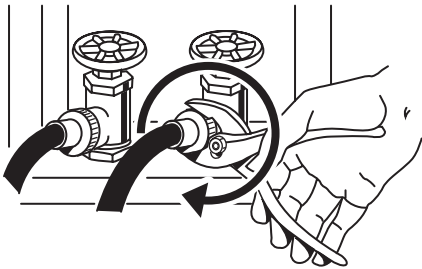
洗衣机要使用新的进水管连接到水龙头。不要使用旧的进水管。在进水管的两端都放入(提供的)平垫圈。将垫圈紧扣在接头上。



将进水管连接到水龙头

确信洗衣篮是空的。

1. 将标有热标签的水管连接到热水水龙头。用手旋紧接头直到扣紧垫圈。
2. 将标有冷标签的水管连接到冷水水龙头。用手旋紧接头直到扣紧垫圈。
3. 使用钳子多转两圈，拧紧接头。

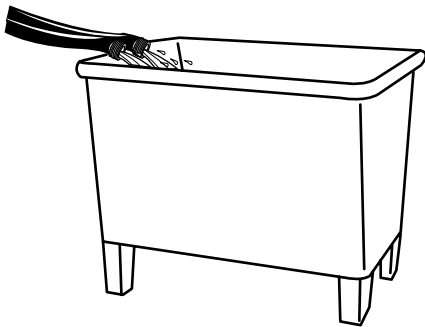


使用钳子多转两圈，拧紧接头

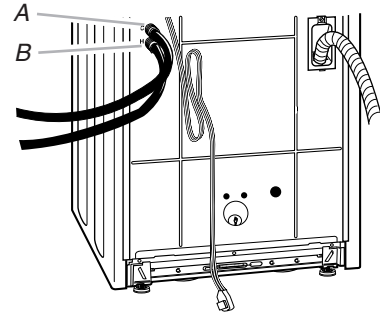
注意：不要拧得过紧或者使用胶带或者密封剂封住阀门。那样可能会损坏阀门。

清洗水管

- 打开两个水龙头和进水管，将水放入洗衣盆、排水管或者水桶，这样可以冲掉水管内的脏东西，免得到时阻塞进水阀门筛网。
- 检查水的温度，确信热水管接到热水水龙头，而冷水管接到冷水水龙头。

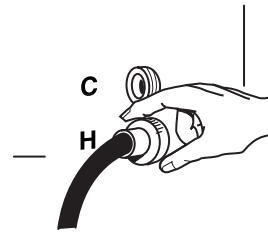


将进水管连接到洗衣机

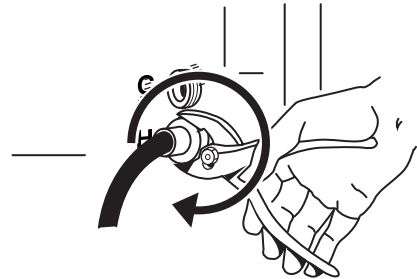


A. 冷水进水阀
B. 热水进水阀

1. 将热水管连接到下面的进水管阀门。
2. 首先装上热水管接头，使其方便用钳子拧紧。
3. 用手旋转接头，直到其扣紧垫圈。



4. 使用钳子多转两圈，拧紧接头。
注意：不要拧得过紧或者使用胶带或者密封剂封住阀门。那样可能会损坏阀门



5. 将冷水管连接到上面的进水管阀门。
6. 用手旋转接头，直到其扣紧垫圈。
7. 使用钳子多转两圈，拧紧接头。
注意：不要拧得过紧或者使用胶带或者密封剂封住阀门。那样可能会损坏阀门。

检查漏水

打开水龙头并检查是否漏水。可能会有少量的水进入洗衣机。您稍候再排干。

注意：请更换已经使用5年以上的水管，以避免水管破损。请记录水管安装或者更换日期，以备后用。

- 如果您只接了一条水管，请将另外一个进水口盖起来。
- 请定期检查是否有凸起、扭曲、割破、破损或者泄漏的情况，如果有请更换水管。

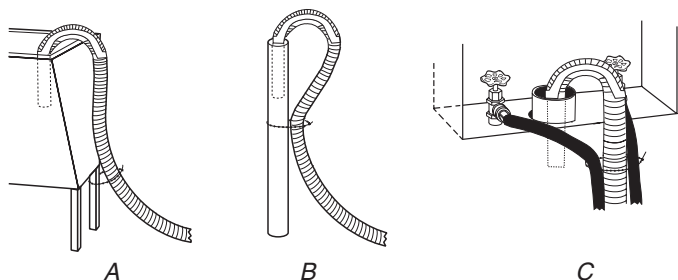
装好排水管

1. 取下电线上的包装带。将电线搁在控制台上方。
2. 取走用于搬运洗衣机的纸板。



带珠状捆带

3. 用带珠的捆带将排水管捆在洗衣盆脚或者排水竖管上。将扣子扣入最近的带珠捆带的孔里。请看图 A 和 B。



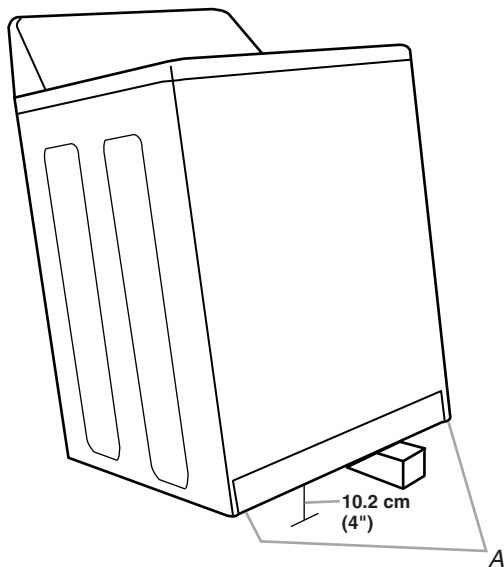
如果洗衣机水龙头和排水竖管在墙壁等凹处，请将定型的排水管道插入竖管内。紧紧捆住进水管和排水管道。请看图 C。

平稳放置洗衣机

正确平稳放置您的洗衣机可以避免过大的噪音和震动。

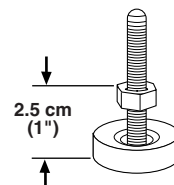
安装前面平衡脚

1. 用木块或者其他小物件支撑起洗衣机前部到大概 10.2 cm (4" 英寸) 高。支撑的木块等必须可以支持洗衣机重量。



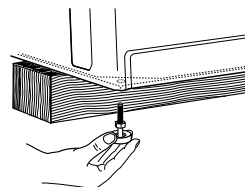
A. 线条指出脚孔位置

2. 将所有螺母旋入每个脚，直到距离底部 2.5 cm (1" 英寸) 以内。



3. 将脚旋进前部角落的螺丝孔内，直到螺母抵到洗衣机。扭动脚进行安装。

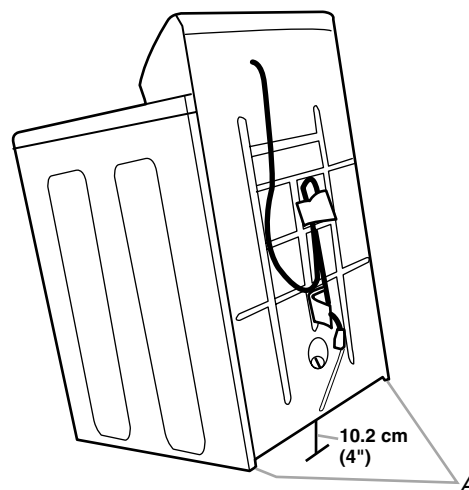
注意：洗衣机放平稳之后才拧紧螺母



4. 倾斜洗衣机，取下木块。小心将洗衣机放到地面。

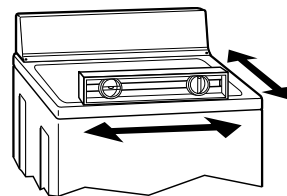
最终放置步骤

1. 将洗衣机滑到其最终位置。
2. 向前倾斜洗衣机，直到其后部距离地面至少 10.2 cm (4" 英寸)。您可以听到自动调整的后脚卡入位置的嘀嗒声。缓慢放下洗衣机到地面。

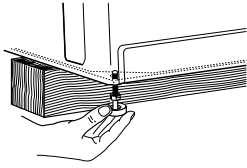


A. 自动调整脚

3. 在洗衣机上面边上放一个平衡器，检查洗衣机是否平稳。先检测两侧，再检测前后。

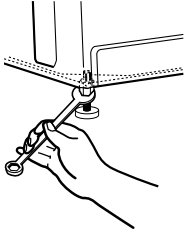


4. 如果洗衣机还不平稳，请轻轻移动洗衣机，顶着后部，使用木块支撑起前部并根据需要上下扭动调整脚。顺时针旋转脚以升高或者逆时针旋转以降低洗衣机。重复这些步骤1至4，直到洗衣机已经平稳。



5. 当洗衣机已经平稳放置在最后位置后，使用一个14 mm 或者9/16" 英寸的开口扳钳逆时针旋紧螺母。

重要提示：如果螺母不拧紧，洗衣机可能会振动。



完成安装

1. 检查电源要求。确信正确接好电源并且接地方式正确。请参看“电源要求”。
2. 检查所有部件都已经安装好。如果有另外的部件，请仔细回去检查做过的步骤，看看漏了哪个步骤。
3. 检查全部工具是否都在。
4. 检查黄色包装带是否已经从洗衣机背部下边取下。
5. 处理 / 再回收所有包装材料。
6. 检查水龙头是开着的。
7. 检查水龙头和进水管周围，看是否有漏水。

警告



电击危险

该电器要接地。

不要使用加长电线或者一个便携式的插座设备。

如果没有遵照这些说明操作，可能会造成死亡、起火或者电击。

8. 插入一个接地插座。
9. 取下控制板上的所有覆盖薄膜和洗衣机上的胶带。
10. 阅读用户使用手册中的“使用您的洗衣机”章节内容。
11. 要检查和清洗您的洗衣机。把所建议的洗衣粉或者液体洗洁剂的1/2的量，倒入洗衣篮或者倒进分配器（某些型号上有）。关上盖子，选择循环设置，然后拨起控制旋钮启动洗衣机。让洗衣机运行一个完整循环周期。