



Frigidaire

Factory Parts Catalog

Product No.	PLMB209DCB
Market	North America
Color	stainless steel
Volts	120
Watts	1200
Wiring Diagram	5995439394
Owner's Guide	316137232
Installation Instructions	316137335

 **Electrolux**

Electrolux Major Appliances
 North & Latin America
 P.O. BOX 212378
 AUGUSTA, GA 30917

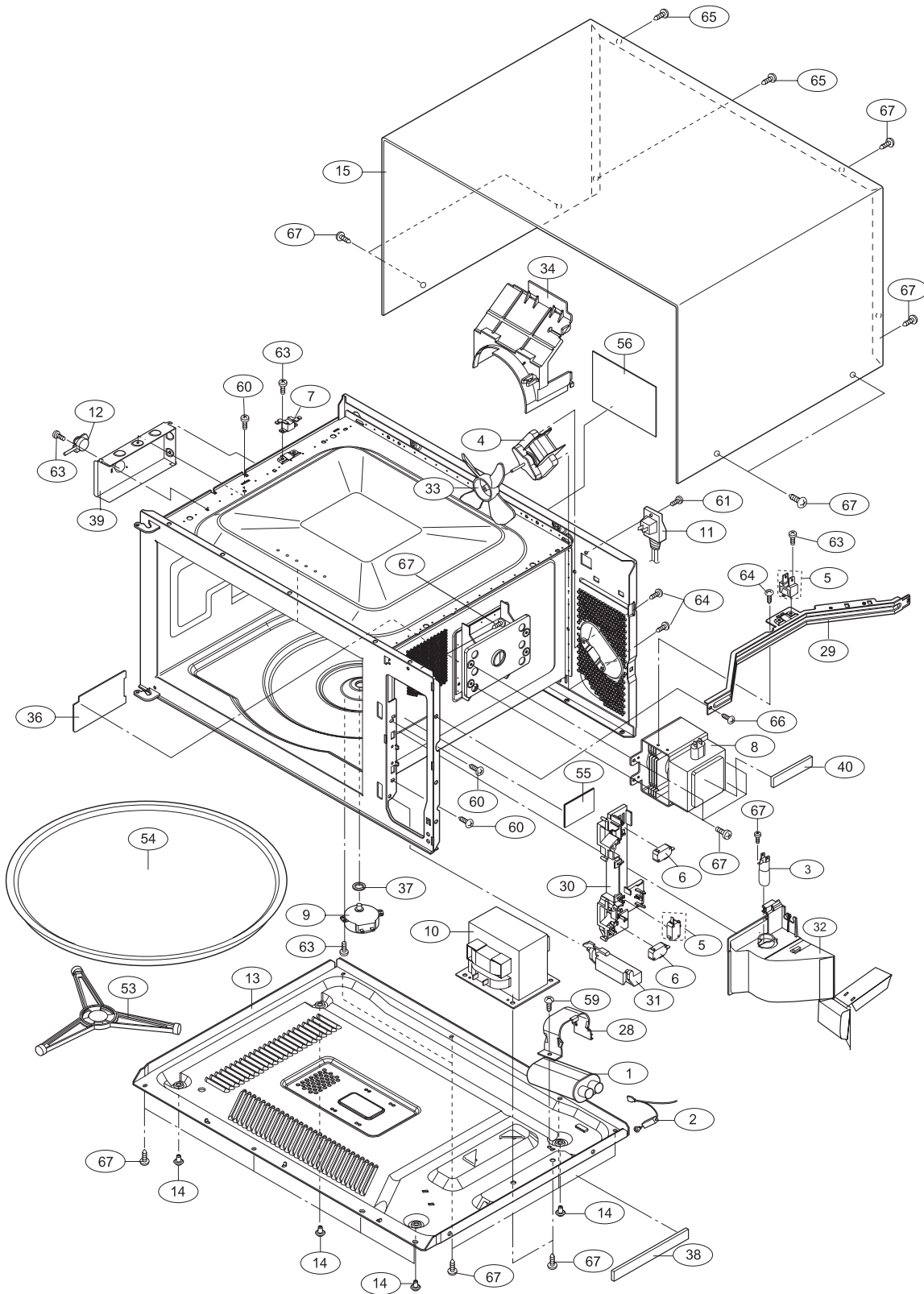
Publication No.
5995439394
 05/06/14
 (EN/SERVICE/KC)
 099

**COUNTER-TOP
 MICROWAVE**

Model No.
PLMB209D

Copyright © 2005 Electrolux Home Products, Inc.
 All rights reserved.

OVEN, CABINET

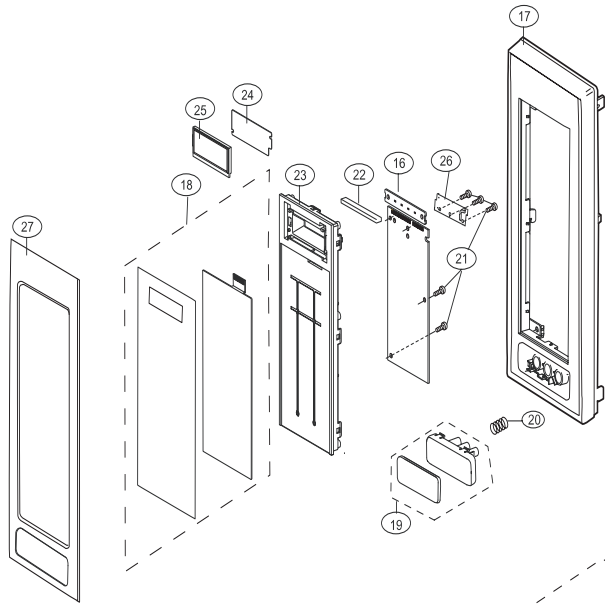


GLMB209D cabinet

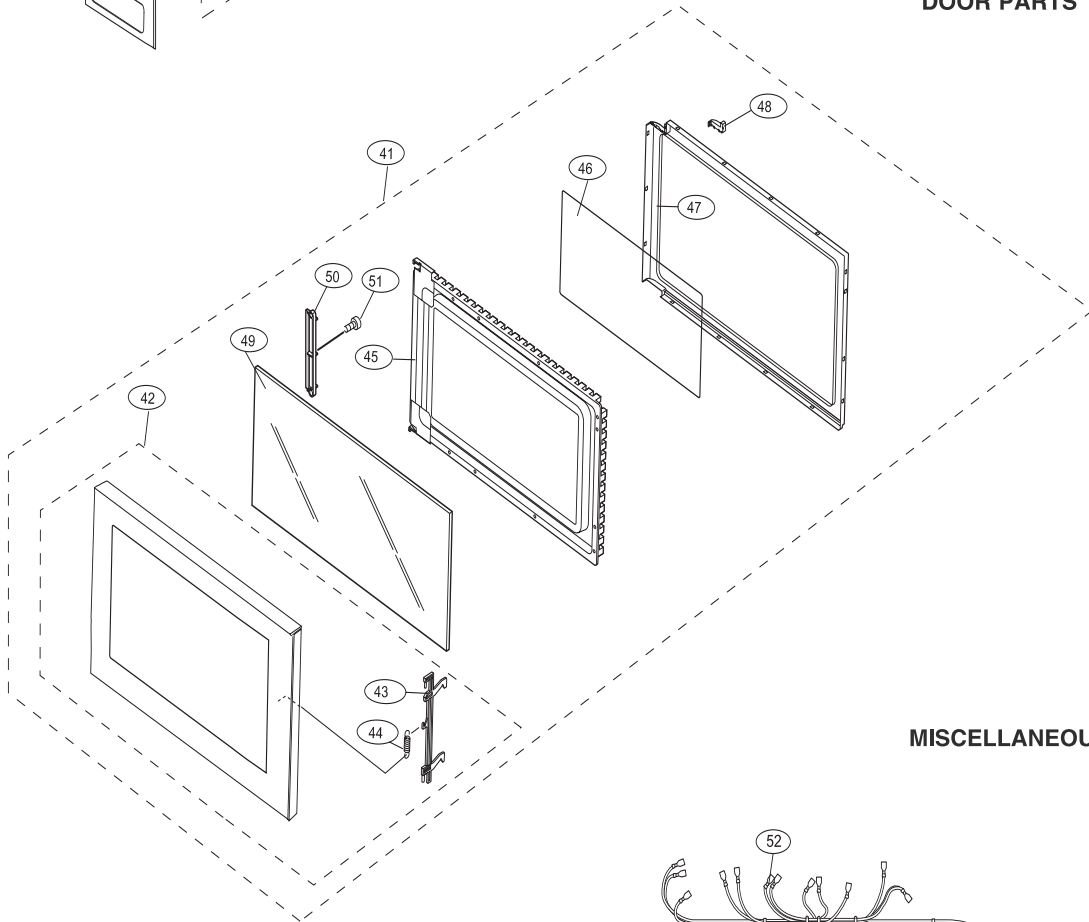
OVEN,CABINET

POS. NO	PART NO.	DESCRIPTION
1 #	5304440777	Capacitor, high voltage
2 #	5304440778	Rectifier, high voltage
3 #	5304440779	Lamp Assy, with socket
4 #	5304448490	Motor, cooling fan
5 #	5304440027	Switch Kit, monitor, with CT fuse
6 #	5304440026	Relay/Switch Assy, sec. interlock, door sense sw.
7 #	5304440780	Fuse, cavity temp, 20 Amp, 250 VAC
8 #	5304440781	Magnetron
9 #	5304448832	Motor, turntable
10 #	5304440783	Transformer, power
11 #	5304440784	Power Cord, electric
12 #	5304440785	Sensor, abs. humidity, cook control
13	5304440814	Base, unit chassis
14	5304440815	Foot, cabinet support
15	5304440816	Casing, outer panel, black
28	5304440838	Retainer, capacitor strap
29	5304440839	Bracket, chassis support
30	5304440840	Latch Hook
31	5304440841	Lever, door release
32	5304440842	Duct, magnetron
33 #	5304440843	Fan Blade, cooling fan
34	5304440844	Duct, cooling fan
36	5304440845	Cover, waveguide
37	5304440288	Bushing, motor shaft, turntable
38	5304441909	Cushion, base plate pad
39	5304440847	Duct, AH sensor
40	5304441910	Cushion, magnetron pad
53	5304440284	Support Assy, turntable
54	5304440868	Tray, turntable, glass
55	5304440334	Label, Caution-monitor
56	5304440333	Label, Caution-DHHS
59	5303319636	Screw
60	5303319641	Screw
61	5304440871	Screw, 4mm x 12mm, ground
63	5303319633	Screw, 3mm x 8mm
64	5304440872	Screw, 4mm x 8mm
65	5304440873	Screw, torx head, tamper proof
66	5304440874	Screw
67	5304440340	Screw, 4mm x 12mm

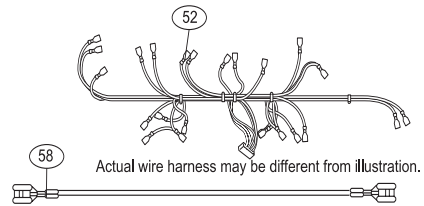
CONTROL PANEL, DOOR, MISC.



DOOR PARTS



MISCELLANEOUS



Actual wire harness may be different from illustration.

GLMB209D controls

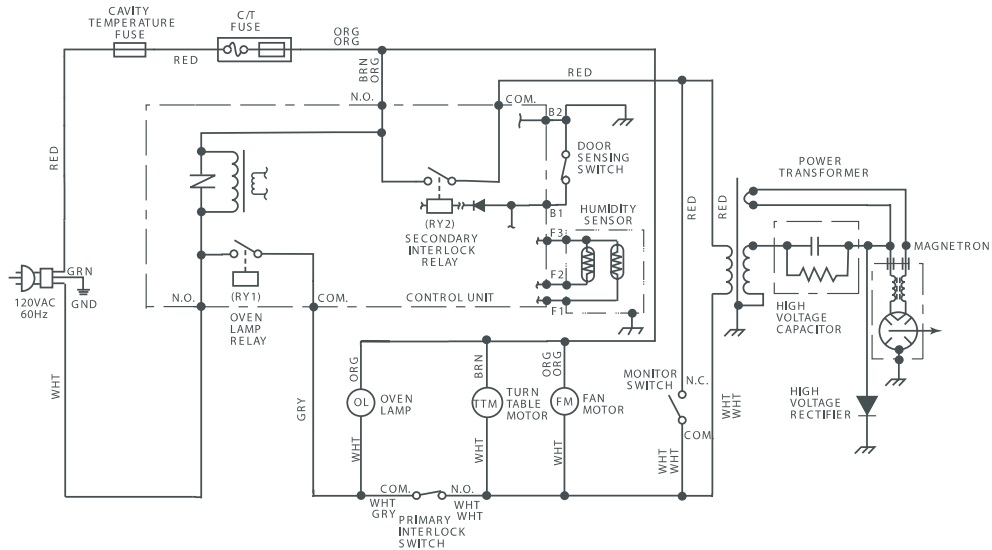
CONTROL PANEL,DOOR,MISC.

POS. NO	PART NO.	DESCRIPTION
16 #	5304440820	Control Board, printed circuit
17	5304440821	Frame, control panel, black
18 #	5304440824	Switch Assy, touch control, black
19	5304448833	Push Button, door opener, stainless steel
20	5304440831	Spring, door button
21	5304440282	Screw, control board, 3mm x 10mm
22	5304440832	Connector, rubber, control board
23	5304440833	Panel, touch pad mount
24 #	5304440834	LED Sheet, backlight
25 #	5304440835	LCD, display
26	5304440836	Bracket, PCB support
27	5304448834	Trim, control panel, stainless steel, deco plate
41	5304448835	Door Assy, complete, stainless steel, with handle
42	5304448836	Panel Assy, outer door, stainless steel, with latch
43	5304440856	Latch, door
44	5304440316	Spring, door latch
45	5304440857	Panel, inner door, black
46	5304440860	Seal, door, film
47	5304440861	Frame, choke cover, inner door
48	5304442145	Door Stop
49	5304440863	Panel, glass, black, door front
50	5304440862	Door Stop
51	5304440866	Screw
52 #	5304440867	Wiring Harness, main
58 #	5304440870	Wire, high voltage-A

WIRING SCHEMATIC

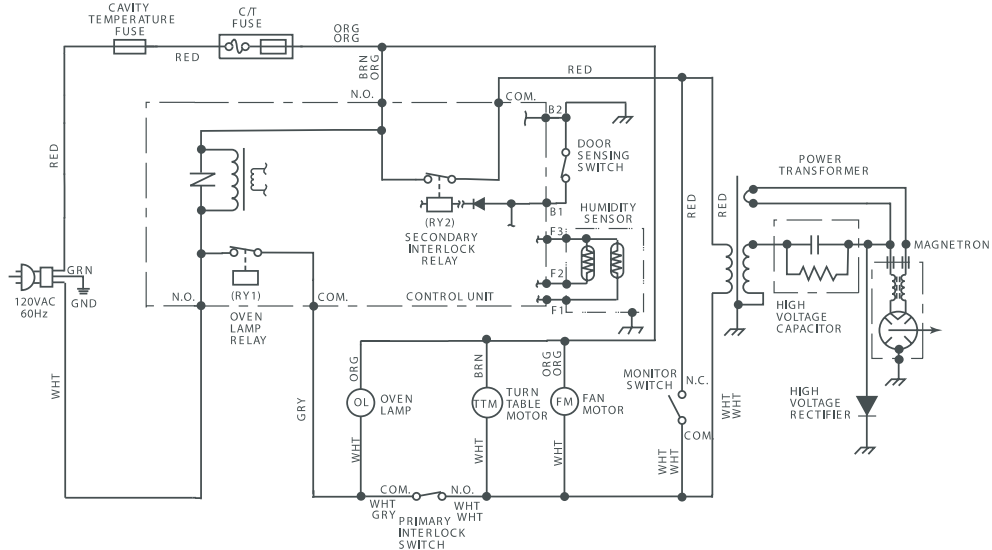
SCHEMATIC
 NOTE: CONDITION OF OVEN
 1. Door Closed
 2. CLOCK APPEARS ON DISPLAY

Note: * Indicates component



Oven Schematic - Off Condition

SCHEMATIC
 NOTE: CONDITION OF OVEN
 1. DOOR CLOSED
 2. COOKING TIME PROGRAMMED
 3. VARIABLE COOKING CONTROL "HIGH"
 4. "START" PAD TOUCHED



Oven Schematic - Cooking Condition