

*Frigidaire*

Factory Parts Catalog

Product No.	PLMV178HCA
Market	Lowe's
Color	stainless steel
Volts	120
Watts	1000
Wiring Diagram	5995529772
Owner's Guide	DE68-03569A
Installation Instructions	DE68-03141F

 **Electrolux**

Electrolux Major Appliances  
North & Latin America  
P.O. BOX 212378  
AUGUSTA, GA 30917

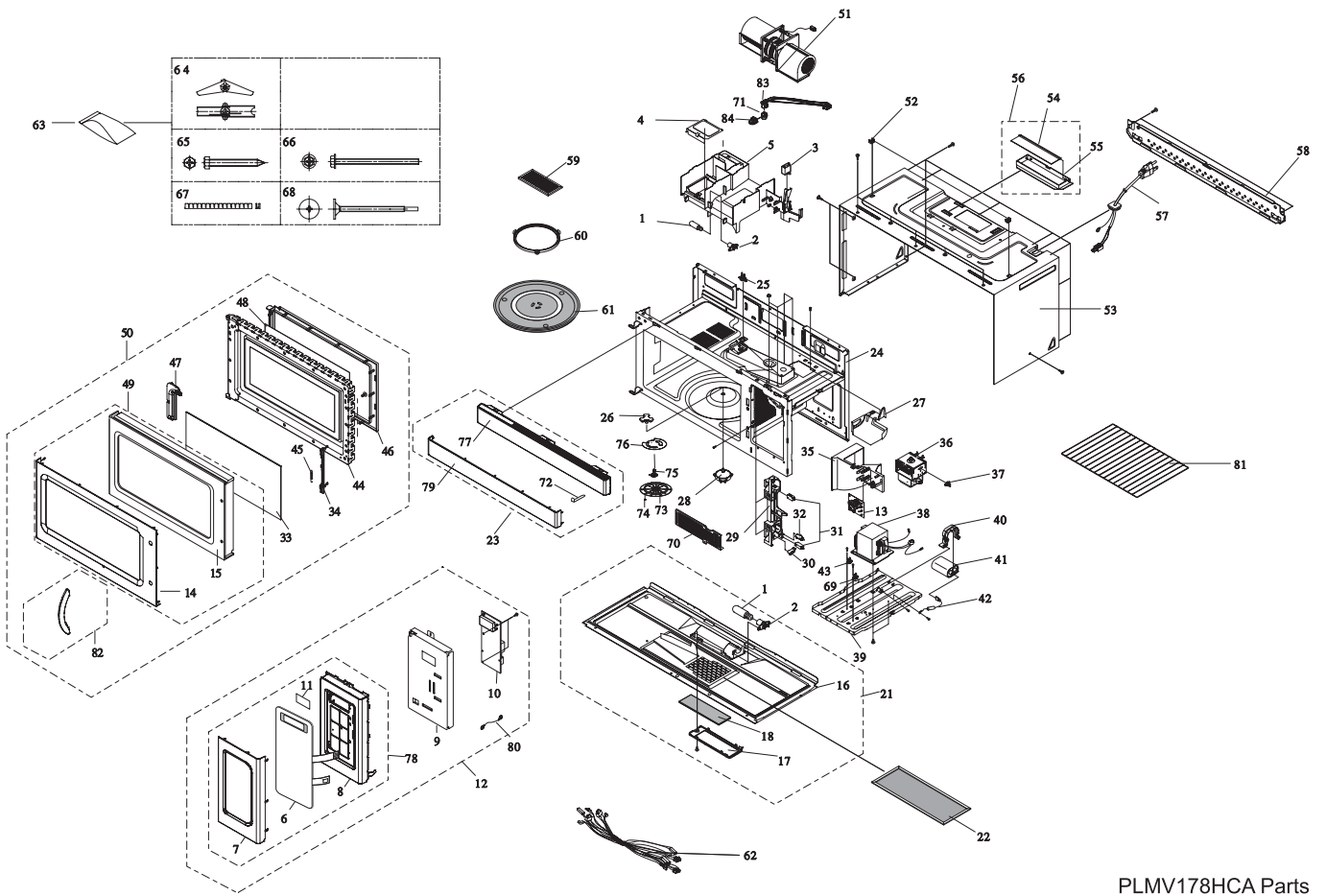
Publication No.  
**5995529772**  
08/12/22  
(EN/SERVICE/KC)  
099

**OVER-RANGE  
MICROWAVE**

Model No.  
**PLMV178H**

Copyright © 2008 Electrolux Home Products, Inc.  
All rights reserved.

RECOMMENDED SPARE PARTS

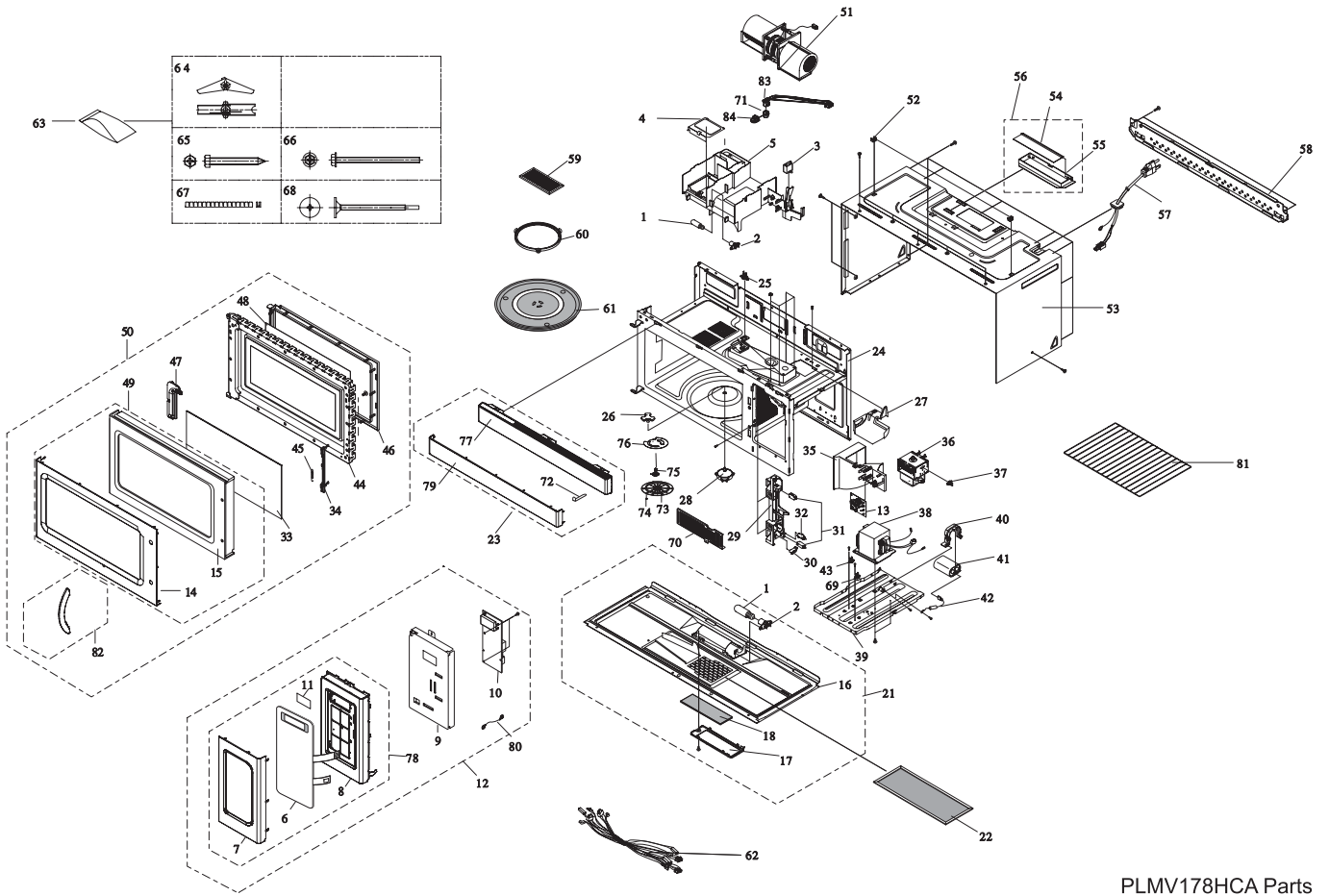


PLMV178HCA Parts

**RECOMMENDED SPARE PARTS**

POS. NO	PART NO.	DESCRIPTION
1	5304456066	Lamp, incandescent
2 #	5304456067	Lampholder, socket
3 #	5304456068	Capacitor, motor
4	5304470506	Bracket, upper duct
5	5304470507	Duct Assembly, upper
6 #	5304470508	Switch, touch control, membrane
7	5304470509	Trim, inlay, control panel
8	5304470510	Frame, control panel
9	5304470511	Housing, control board
10 #	5304470512	Control Board, printed circuit
11	5304470513	Window, display
12 #	5304470514	Control Assembly, complete
13 #	5304456082	Filter, noise, electronic
14	5304470515	Trim, door inlay
15	5304470516	Panel, outer door
16	5304456083	Cover, unit base
17	5304456085	Frame, lens holder
18	5304456087	Lens, cooktop lamp, glass
21 #	5304470517	Base Assembly, with lamp
22 #	5304456090	Filter, air
23	5304470518	Grille Assembly, front
24	5304470519	Cavity, oven, assembly
25 #	5304456094	Thermostat, upper
26	5304456095	Coupler, turntable/motor
27	5304456096	Guide, air, upper
28 #	5304456097	Motor, drive
29	5304456168	Latch Hook
30	5304456099	Lever, switch, lower
31 #	5304456100	Switch, micro, (2)
32 #	5304456101	Switch, micro
33	5304470505	Screen, door
34	5304456103	Latch, door
35	5304456104	Guide, air, lower
36 #	5304456105	Magnetron Assembly
37 #	5304456106	Thermostat
38 #	5304456107	Transformer, high voltage
39	5304470520	Base, transformer
40	5304456109	Bracket, capacitor
41 #	5304456110	Capacitor, oil
42 #	5304470521	Diode, high voltage
43 #	5304456112	Thermostat, 40-70 C, LH lwr
44	5304456116	Middle Door, assembly
45	5304470522	Spring, latch
46	5304456117	Frame, choke cover, inner door
47	5304470523	Bracket, screen holder
48	5304456118	Seal, door, film
49	5304470524	Door Assembly, outer, with trim
50	5304470525	Door Assembly, complete
51 #	5304470526	Motor, vent fan
52	5304456122	Nut, holder assembly, (2)
53	5304470527	Cabinet, outer casing

RECOMMENDED SPARE PARTS



PLMV178HCA Parts

---

**RECOMMENDED SPARE PARTS**


---

POS. NO	PART NO.	DESCRIPTION
54	5304457620	Cover, damper
55	5304456126	Damper, main
56	5304457619	Damper Assembly, hood
57 #	5304456128	Power Cord, electric
58	5304456129	Plate, mounting
59	5304455657	Filter, charcoal
60	5304470528	Guide, turntable, with rollers
61	5304456131	Tray, turntable
62 #	5304470529	Wiring Harness, main-A
63	5304456133	Hardware Assembly, mounting
64	5304456134	Nut, toggle, (3)
65	5304456135	Screw, machine, inch
66	5304456136	Bolt, toggle, (3)
67	5304456137	Grommet, nylon, (2)
68	5304456138	Bolt, flat head
69 #	5304456139	Thermostat, RH, lower
70	5304456140	Cover, front
71 #	5304456185	Sensor, gas
72	5304470530	Clip, grille, ground
73	5304456141	Cover, stirrer
74	5304456142	Button, lock
75	5304456143	Holder, stirrer
76	5304456144	Fan Blade, stirrer
77	5304470531	Grille, front
78 #	5304470533	Control Panel Assy, w/touch pad
79	5304470532	Trim, grille inlay
80 #	5304470534	Wiring Harness, control-H
81	5304470535	Rack, wire
82	5304470536	Handle, door
83 #	5304457600	Wiring Harness, upper duct
84	5304457639	Holder, sensor
*	5304470793	Template, installation, wall
*	5304470794	Template, installation, top cab

WIRING SCHEMATIC

COLOR	SYMBOL
GRAY	GR
WHITE	W
BLACK	B
RED	R
BLUE	BL
ORANGE	O
YELLOW	Y
GREEN	G
PINK	P
AZURE	A
VIOLET	V
BROWN	BR

PLMV178HCA Wiring

