

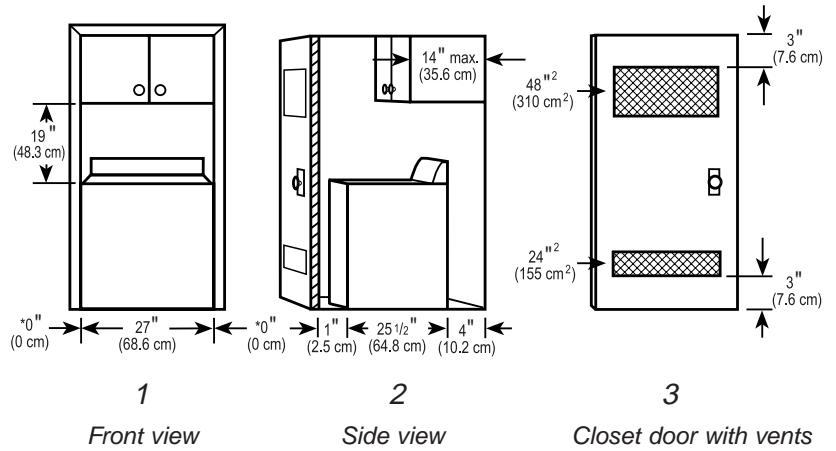
PRODUCT MODEL NUMBERS

GSQ9631L	LSN3000P	LSQ9660P
GSQ9632L	LSQ7030L	LSR5101L
GSQ9633L	LSQ8000L	LSR5102L
GSQ9669L	LSQ8500L	LSR5232L
GST9630P	LSQ8500P	LSR6232J
GST9631P	LSQ8510L	LSR6332K
GST9679L	LSQ8510P	LSR5132P
GST9679P	LSQ9010L	LSR6333L
GSW9559L	LSQ9010P	LSR6334L
GSW9650L	LSQ9030P	LSR6335L
GSW9800P	LSQ9110L	LSR7010P
GSW9900P	LSQ9110P	LSR7133K
GSX9750P	LSQ9200L	LSR7133P
LBR4121J	LSQ9200P	LSR7300P
LBR4132J	LSQ9500L	LSR7310P
LBR4132P	LSQ9520L	LSR7320P
LBR5432L	LSQ9544K	LSR7333P
LBR5432P	LSQ9549L	LSR8010P
LSB6000P	LSQ9549P	LSR8433K
LSB6200K	LSQ9550P	LSR8444L
LSB6200P	LSQ9560P	LSR9434P
LSB6300L	LSQ9564M	LSW9700P
LSB6300P	LSQ9565M	LSW9750P
LSB6400L	LSQ9600L	LXR5432K
LSB6500P	LSQ9610L	LXR6432J
LSN1000L	LSQ9620L	LXR7133J
LSN1000P	LSQ9650P	LXR7244J
LSN2000L	LSQ9659L	LXR7244P
LSN2000P	LSQ9659P	

Electrical: 120-volt, 60 Hz, AC-only, 15 or 20 amp electrical supply. A time-delay fuse or circuit breaker and separate circuit is recommended.

RECESSED AREA AND CLOSET INSTALLATION

For closet installation, with a door, the minimum ventilation openings in the top and bottom of the door are required (view 2). Louvered doors with equivalent air ventilation openings in the top and bottom are acceptable.

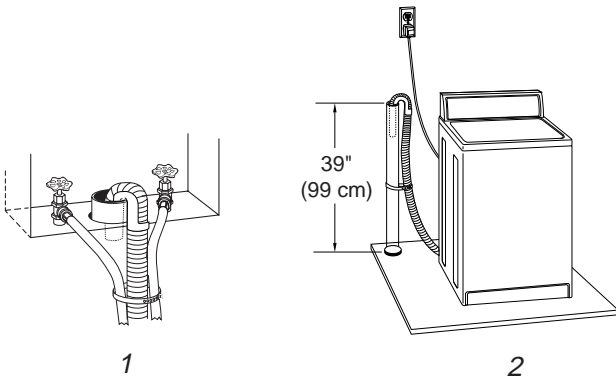


DRAIN SYSTEM OPTIONS

Standpipe drain system - wall or floor (view 1 & 2)

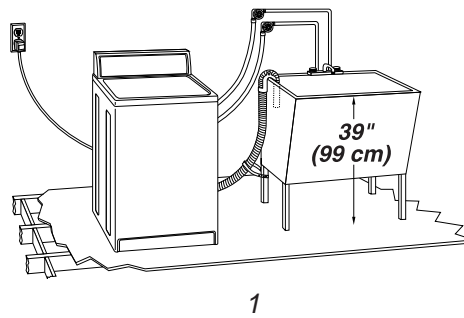
The standpipe drain requires a minimum diameter standpipe of 2 in. (5 cm). The minimum carry-away capacity can be no less than 17 gal. (64 L) per minute.

The top of the standpipe must be at least 39 in. (99 cm) high and no higher than 96 in. (2.4 m) from the bottom of the washer.



Laundry tub drain system (view 1)

The laundry tub needs a minimum 20 gal. (76 L) capacity. The top of the laundry tub must be at least 39 in. (99 cm) above the floor and no higher than 96 in. (2.4 m) from the bottom of the washer.



Floor drain system (view 2)

The floor drain system requires a siphon break that may be purchased separately. The siphon break must be a minimum of 28 in. (71 cm) from the bottom of the washer. Additional hoses might be needed.

