

# KitchenAid® Built-in Refrigerators, Side by Side and Bottom Mount

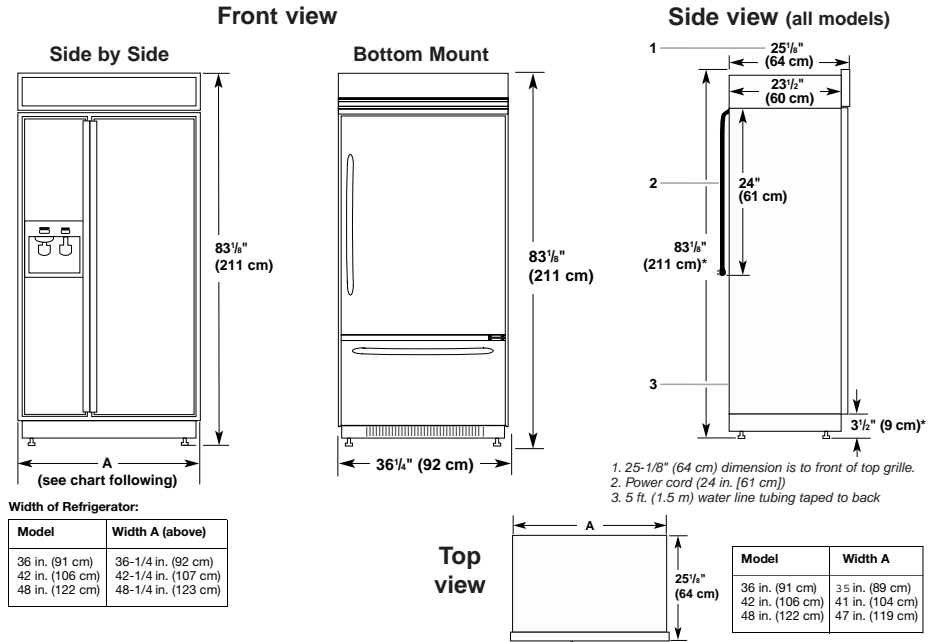
## PRODUCT MODEL NUMBERS

KBLC36FK	KSSC36QK	KSSP48QK
KBLP36FK	KSSC42FK	KSSS36FK
KBLS36FK	KSSC42QK	KSSS36QK
KBRC36FK	KSSC48FK	KSSS42QK
KBRP36FK	KSSC48QK	KSSS42FK
KBRS36FK	KSSP36QK	KSSS48FK
KSSC36FK	KSSP42QK	KSSS48QK

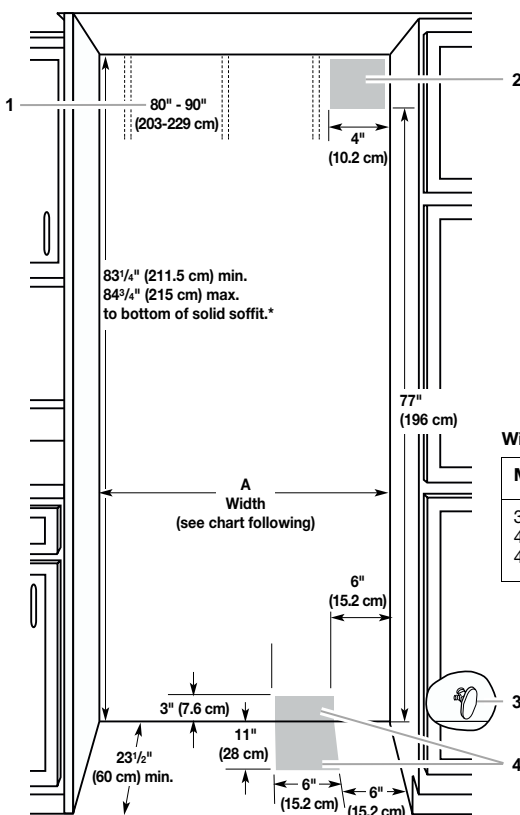
**Electrical:** A 115-volt, 60-Hz, AC-only, 15- or 20-ampere, fused, electrical supply is required. A time-delay fuse or circuit breaker is recommended. It is recommended that a separate circuit serving only this appliance be provided.

**Water Supply:** Use only 1/4" copper tubing for water line. Water line to refrigerator must provide 15-100 psi water pressure.

## OVERALL DIMENSIONS

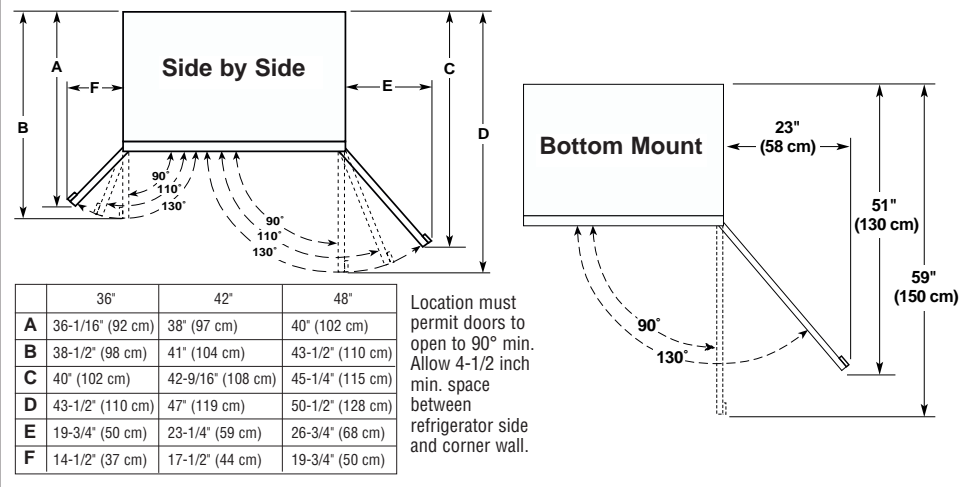


## CABINET OPENING DIMENSIONS



1. Stud location
2. Grounded electrical outlet location
3. Recommended water shutoff valve location
4. Plumbing hole and water line location (wall or floor)

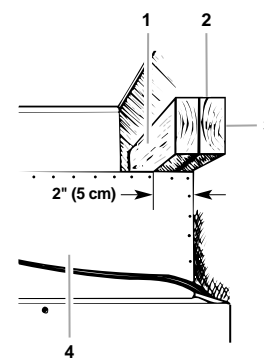
## DOOR SWING DIMENSIONS



## Width of Opening:

Model	Width A (above)
36 in. (91.4 cm)	35-1/2 in. (90.2 cm)
42 in. (106.7 cm)	41-1/2 in. (105.4 cm)
48 in. (121.9 cm)	47-1/2 in. (120.7 cm)

## ANTI-TIP REQUIREMENTS



The solid soffit must be within 1 in. (2.5 cm) maximum above the refrigerator. If the solid soffit is higher than 1 in. (2.5 cm) or one is not available, prevent the refrigerator from tipping during use as shown.

Locate the board(s) so the bottom surface of the board(s) are 84 in. (213 cm) from the floor.

Securely attach one or two 2 in. x 4 in. x 32 in. (5 cm x 10 cm x 81 cm) wood boards to wall studs behind refrigerator. Use 6 - #8 x 3 in. (7.6 mm) (or longer) wood screws. The wood screws must be screwed into the studs at least 1-1/2 in. (3.8 cm). The board(s) must overlap the compressor cover.