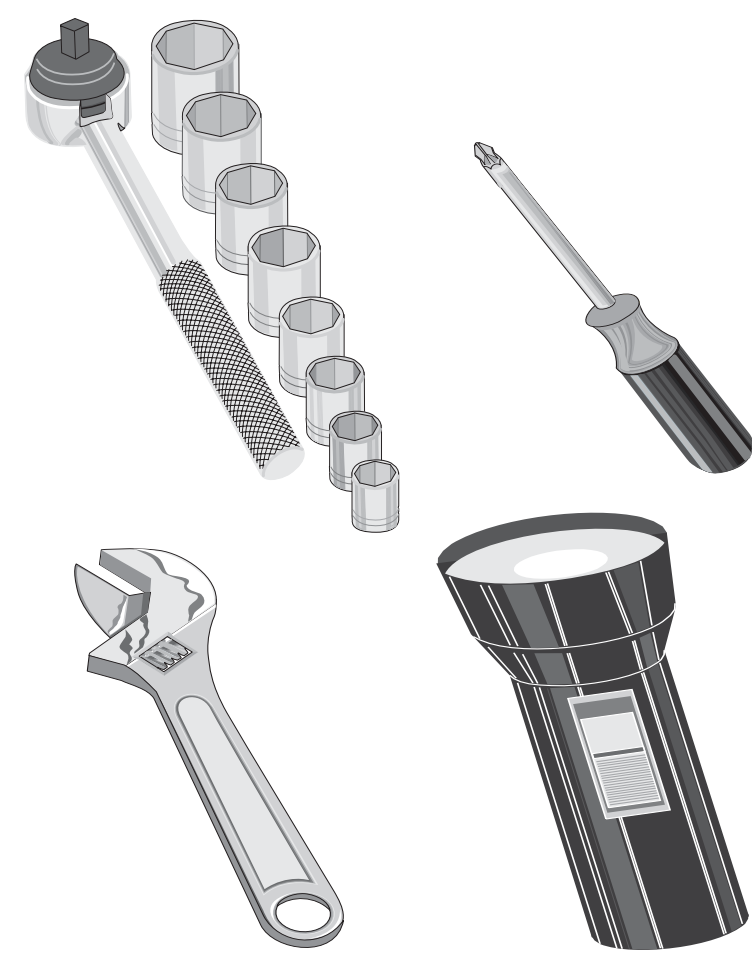




Dishwasher Installation Instructions



INSTALLER: Leave *Installation Instructions* with owner.
OWNER: Read your dishwasher *Use and Care Guide*. It contains important safety information for operating this appliance. It also has many suggestions for getting the best results from your dishwasher.

Printed in U.S.A. 154837701A (11/07)
Sears Brands Management Corp., Hoffman Estates, IL 60179 U.S.A.

Before You Begin

Read all instructions before installing dishwasher. For your safety, please read and observe all safety instructions. This guide will help you anticipate drain, water, and electrical connections, and help you select the best location for the dishwasher.

WARNING
Tip Over Hazard
Do not use dishwasher until completely installed. Do not push down on open door. Failure to follow this warning can result in serious injury.

Installation Tips

Tools and Materials Needed for Installation

- Drill, Electric
- Driver, Socket 3/32", 1/4", 3/16"
- Flaring Tool / Tube Cutter (for copper tubing)
- Flashlight
- Gloves
- Level
- Pipe Joint Compound (for iron pipe plumbing) or Pipe Thread Tape (for sealing threads)
- Pliers
- Safety Glasses
- Saw, Keyhole or 1/2", 1 1/2" to 2" Hole Cutters
- Screw Drivers, Slotted and #2 Phillips (magnetic tip preferred)
- Tape, Electrical or Duct
- Tape, Measuring
- Wire Stripper or Utility Knife
- Wrenches, Hex-end
- Wrenches, 2 Adjustable (for copper tubing) or 2 Pipe wrenches (for iron pipe plumbing)

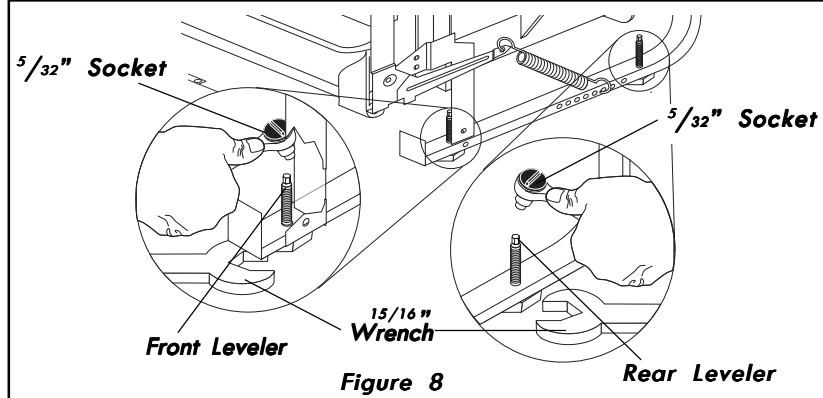
Leveling Dishwasher within Cabinets

1. Measure height of cabinet opening from underside of countertop to floor. Check chart for height opening and suggested adjustment.

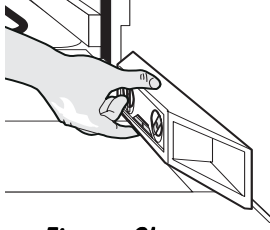
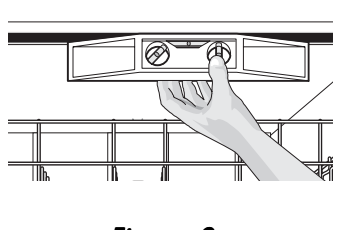
Height of Cabinet Opening	Number of Turns to Adjust Levelers
34" (86.4cm)	0
34 1/8" (86.7cm)	2
34 1/4" (87.2cm)	6
34 1/2" (87.6cm)	9

For additional height add shims under levelers.

2. Move dishwasher to front of installation area.
3. Loosen the front and rear leveling legs by turning counterclockwise. Refer to chart for number of turns. See **Figure 8**. Front levelers should allow 1/4" below underside of countertop.



4. If levelers have to be removed, make sure floor is free of obstructions.
5. Place dishwasher inside cabinet area so that it is centered in opening. Use caution when moving dishwasher to prevent damage to dishwasher, floor, and cabinets.
6. Check that dishwasher is level from side to side by placing a level against the top front section of the tub. See **Figure 9a**.



7. Check that dishwasher is level from front to back by placing level on side of opened door. See **Figure 9b**.
8. Adjust levelers up or down until dishwasher is level.

Helpful tip for built-up floors: Measure height of opening from underside of countertop to built-up floor. If the height is at least 33-3/4" (84.5 cm), the dishwasher will fit into the opening without modification to the countertop or flooring.

Put front and rear levelers all the way up. If the opening is at 33-3/4" (84.5 cm), the countertop mounting brackets may need to be removed to avoid damage to the top of the dishwasher console. If so, follow directions in Step 9 for floor anchoring when ready to secure unit.

Finishing the Drain Connection

WARNING
Electric Shock Hazard
Plumbing material and drain hose must not come in contact with wiring or electrical components. Failure to follow this warning could result in personal injury from exposed wiring.

1. Pull out unit and check to see if drain hose is correctly attached to the drain pump assembly. If drain hose is not attached to drain pump, follow the instruction sheet (included with drain hose) on how to correctly install the drain hose to the drain pump assembly.
2. Move unit back in place while routing drain hose through access hole. Use caution to prevent damage to the dishwasher, floor, and cabinets. **IMPORTANT: Make sure there are no sharp bends or kinks that might restrict drain flow.**
3. Secure drain hose to sink drain, disposer, or separate trap with a clamp. **IMPORTANT: Be careful not to overtighten clamp or you may damage end of hose.** Do not connect hose to horizontal pipe between sink drain and disposer.
4. Be sure unit does not rest on drain hose. It should be free of electrical components and door springs. Do not cut corrugated drain hose. Pull excess through cabinet and place under sink. Make sure hose does not come in contact with any sharp edges. See **Figure 10**.

Parts You Will Need

- Drain Hose Clamps, 1/2" Diameter (Included)
- Elbow, 90° with a 3/4" National Pipe Thread (not included)
- Conduit Connector (not included)
- Wire Nuts, two (2) for 12-14 gauge wire (not included)
- Plumbers Tape (not included)
- If required:
 - "Y" Branch Tailpiece and Connector Kit (See Step 4)
 - Air Gap Kit (See Step 4)
 - Fasteners for floor anchoring (See Step 9)

Available at:
Plumbing Supply Store
Plumbing Supply Store
Hardware Store

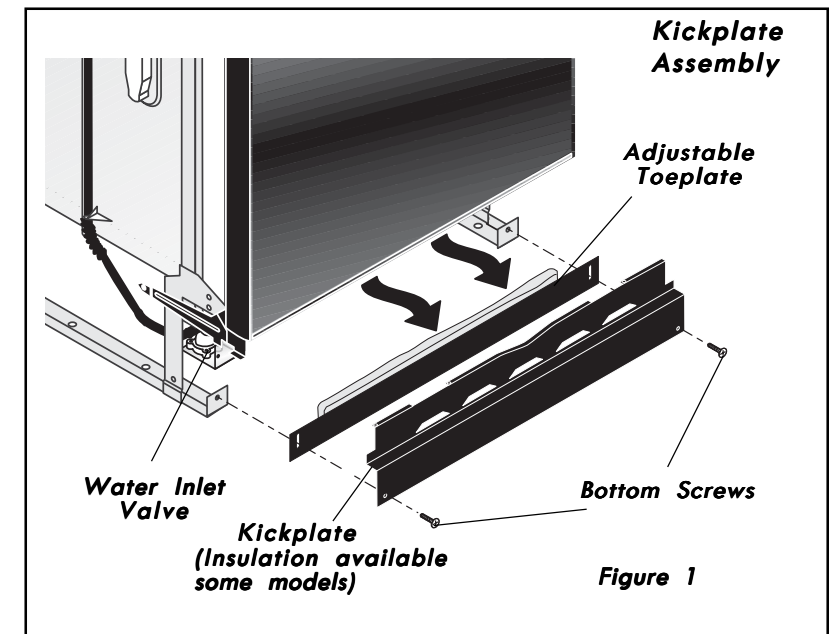
WARNING
Electric Shock Hazard
Disconnect electrical power at the fuse box or circuit breaker box before beginning installation. Failure to follow this warning could result in death or serious injury.

1. Examine dishwasher and locate connections. See **Step 4**.
2. Locate dishwasher where there is easy access to drain, water, and electrical lines. The best location is on either side of the kitchen sink for access to existing plumbing and ease in loading dishes. See **Step 4**.
3. Electrical, water, and drain connections are not the same for all age, brands, or models of dishwashers. Check the location and length of home utilities. See **Step 4**.
4. A 15-20 amp, grounded, 120 volt AC only, electrical supply is required. See **Steps 4 and 8**.
5. If dishwasher drain hose will be connected to a food disposer for the first time, knock out plug located inside disposer inlet. See **Steps 4 and 6**.
6. Kinked water or drain hoses can cause problems. See **Step 6**.
7. Dishwashers need to be connected to a hot water supply with enough water pressure to insure an adequate fill. See **Steps 4 and 7**.
8. Each home installation differs. You will need additional parts listed above to complete your installation. See **Steps 4 and 7**.
9. Flush water line prior to making the final connection to prevent clogging of dishwasher's filter screen. See **Step 7**.
10. The dishwasher will look, sound, and perform best when properly leveled. See **Step 5**. (NOTE: If levelers are removed during installation, make sure the floor is flat and free of any obstruction.)
11. Anchor the dishwasher to countertop. See **Step 9**.

Installation Preparation

1. Remove two (2) screws at front of the kickplate assembly using a #2 Phillips screw driver.
2. Tilt and pull forward to remove. (**Figure 1**).

NOTE: It is not necessary to remove the outer door for installation. However, you might find it more convenient to do so. You can find directions for removing door in Step 10.



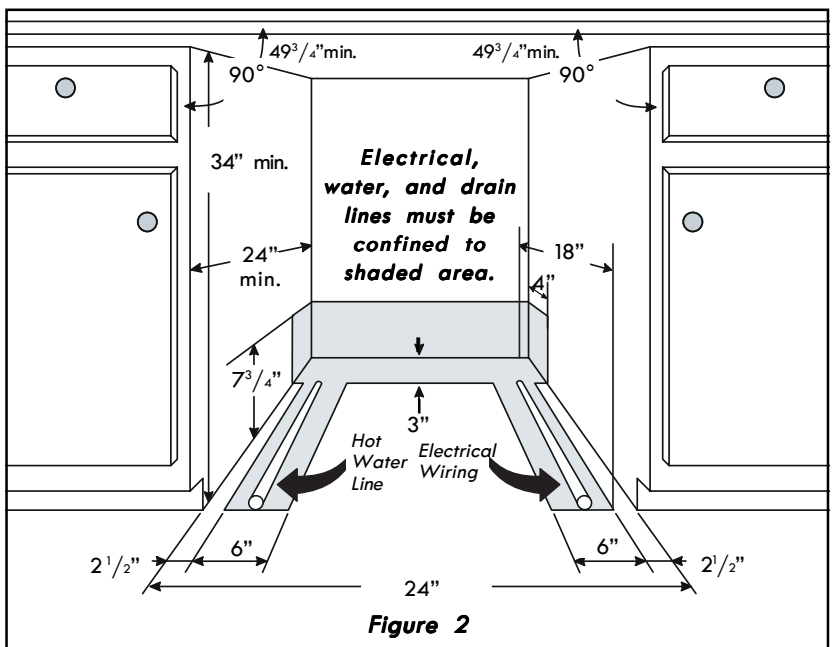
3. Locate water inlet valve behind kickplate on bottom left underside of unit. The valve has a 3/8" NPT female fitting.
4. Wrap 90° elbow (not included) with pipe thread tape (or apply joint compound) and thread it into water inlet valve.
5. Tighten elbow with a wrench, leaving elbow pointing toward rear of unit. To prevent bending of bracket or breaking of valve, avoid overtightening.

Cabinet Preparation: As a precaution, it is recommended that the cabinets enclosing all sides of the dishwasher (including the underside of the countertop) be sealed with an oil based paint or moisture-proof polyurethane to prevent possible steam/moisture damage.

Roughing In

WARNING
Electric Shock Hazard
Observe all local codes and ordinances for electrical and plumbing connections. All electrical and plumbing work should be performed by qualified persons. Failure to follow this warning could result in death or serious injury.

1. Make sure your location has the right drain, water, and electrical outlets to make the connections. Do not install unit under a cooktop range. Damage to plastic tub will occur.



- IMPORTANT:** For proper operation and appearance of unit, cabinet opening should have dimensions as shown in **Figure 2**. If unit is to be placed in a corner, there must be at least a 2-inch side clearance to open door.
2. Remove any carpet from area to provide motor clearance. Floor should be flat and free of any obstruction.

IMPORTANT: Drain, water, and electrical lines should be roughed-in before going any further.

WARNING
Electric Shock Hazard
Electrical, water, and drain lines must be confined to shaded areas in **Figure 2**. Electric conductors, water, and drain could be damaged. Failure to follow these instructions could result in fire or electric shock.

NOTE: If dishwasher is installed at end of a cabinet line, sides and back must be fully enclosed.

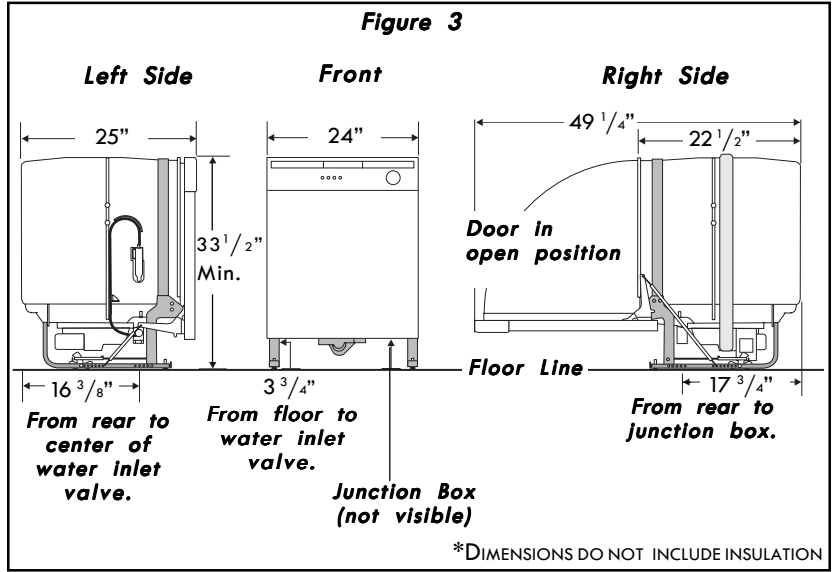
NOTE: You can order a Cabinet Seal Kit (Kit#154528701) by contacting your dealer, parts supplier or by calling 1-800-4MY-HOME. This kit provides a seal between the unit and cabinets once installation is complete.

Connections for Electrical, Water, and Drain

IMPORTANT: Do not cross drain, water, and electrical lines in front of dishwasher motor or frame.

Locating the Connections

1. Review dimensions in **Figure 3** to locate dishwasher's drain, water, and electrical connections.
2. All connections must be made in shaded area in **Figure 2**.

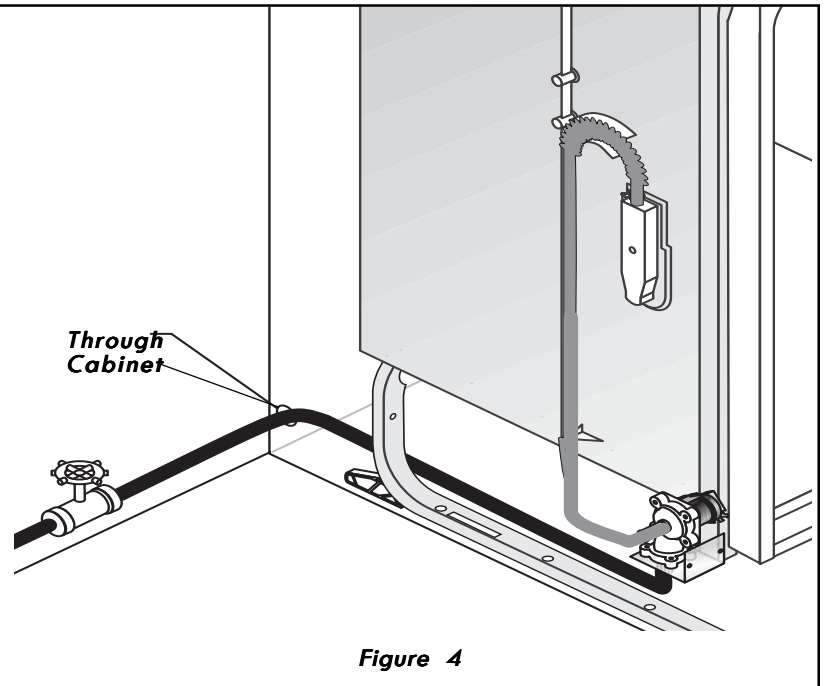


IMPORTANT: Disconnect power before starting installation.

- Electrical**
1. The dishwasher operates on a 120 volt, 60 Hz electrical supply. Provide a separate circuit with a fuse or circuit breaker rated for at least 15 amps (20 amps if connected with disposer) but not more than 20 amps.
 2. Note the locations of electrical supply and dishwasher's electrical junction box on right underside of unit behind kickplate assembly. See **Figure 3**.
 3. Cut access hole in shaded area shown in **Figure 2**.
 4. Pull electrical cable through hole into installation area.

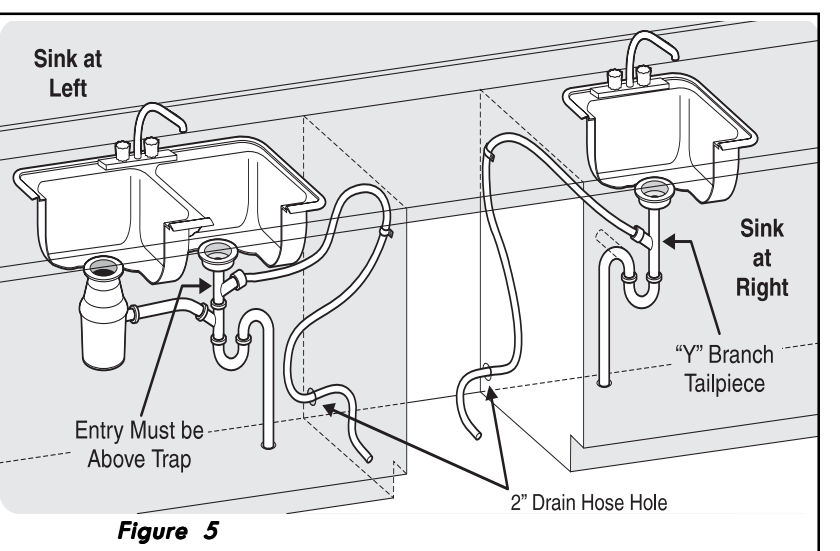
CAUTION
Property Damage
Do not use the furnished drain hose or a rubber garden hose for the water supply line. Either of these hoses can burst. Flooding may occur and cause property damage.

2. Be sure water inlet valve is protected from freezing. If valve freezes and ruptures, flooding may occur.
3. Determine amount of tubing needed to connect hot water supply to the unit's water inlet valve. Copper tubing must have a minimum 3/8" O.D. High-pressure and high-temperature rated plastic tubing with a minimum inner diameter of 1/4" may be used. A shut-off valve installed outside dishwasher cabinet is best. See **Figure 4**.

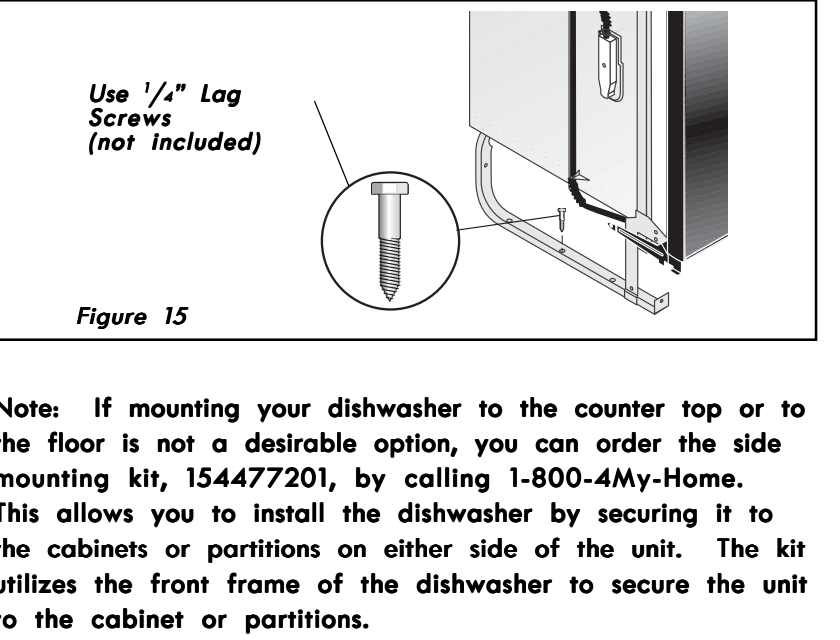
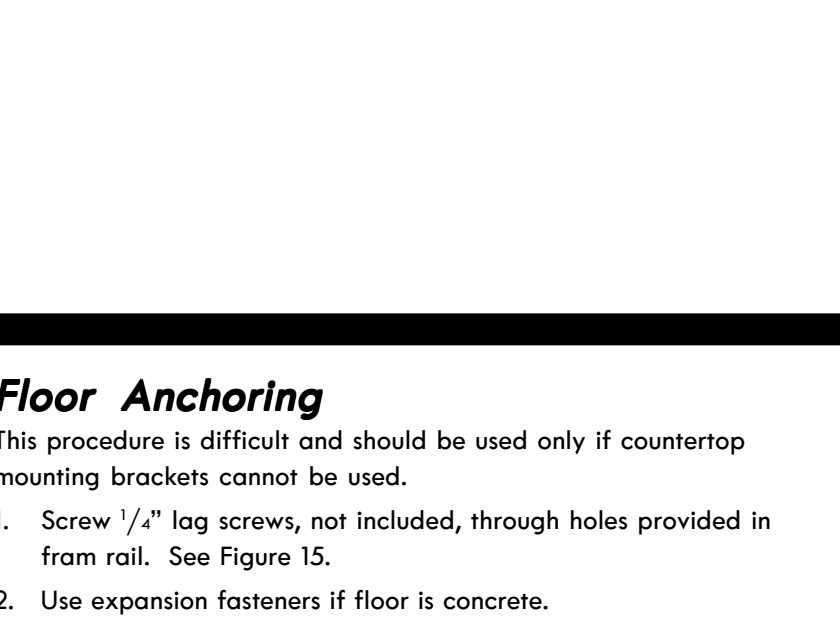


4. Cut water access hole in shaded area in **Figure 2**.
 5. Route water supply line into installation area.
- IMPORTANT:** Incoming hot water temperature should be at least 120°F (49°C). Water pressure should be between 20-120 psi.

- Drain**
1. Review **Figures 5, 6 and 7** to see the different ways to connect dishwasher to drain system. Choose method that best suits your need.



2. If you connect to a sink drain, entry will need to be above trap. A "Y" branch tailpiece and connector kit, not included, will make this method easier and includes all needed fittings and instructions. See **Figure 5**.



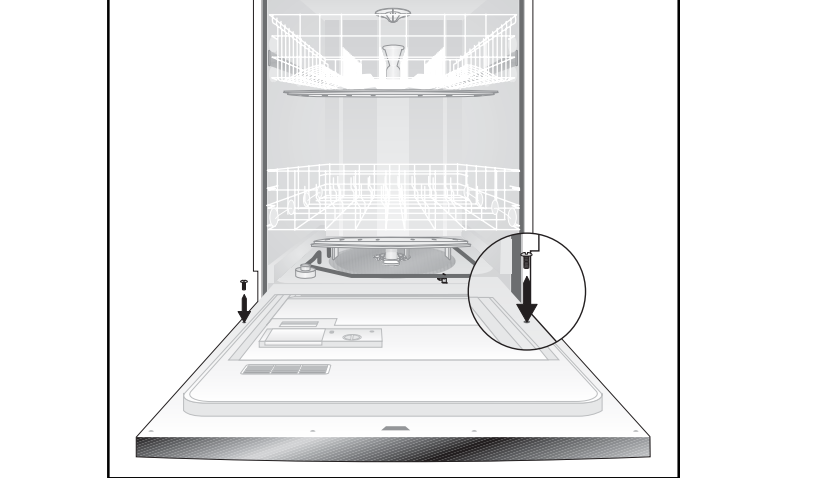
6. Unlatch door and open while supporting outer door on both sides at bottom to keep in place. Align screw holes and replace screws.

WARNING
Electric Shock Hazard
Disconnect electrical power at the fuse box or circuit breaker box before beginning installation. Failure to follow this warning could result in death or serious injury.

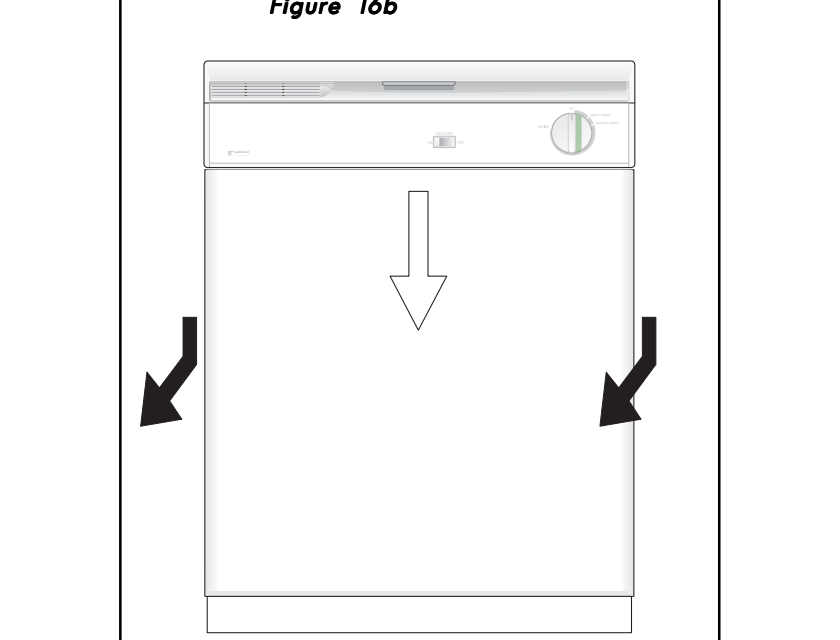
CAUTION
Cut Hazard
Metal color panels are sharp and should be handled with care. Wear gloves to protect hands. Failure to follow this warning may result in injury.

To Remove and Replace Outer Door

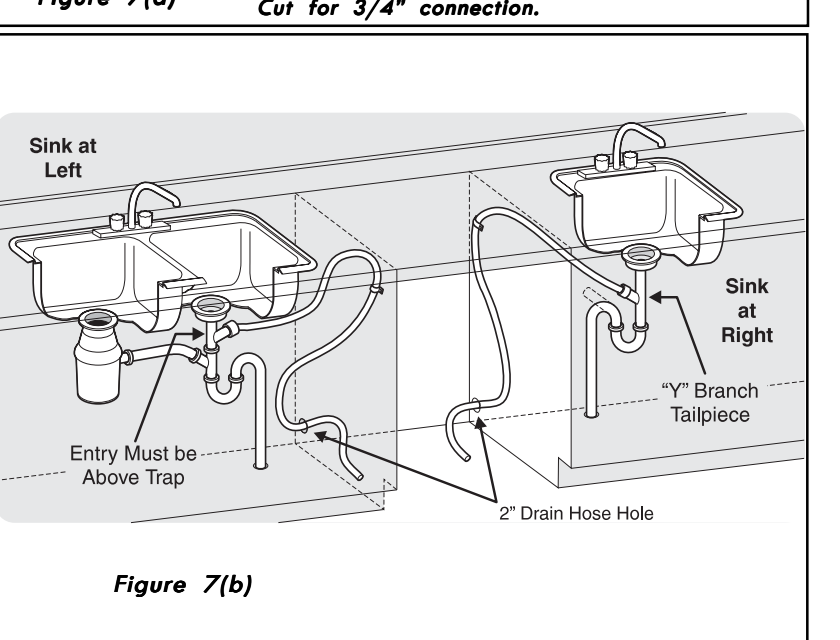
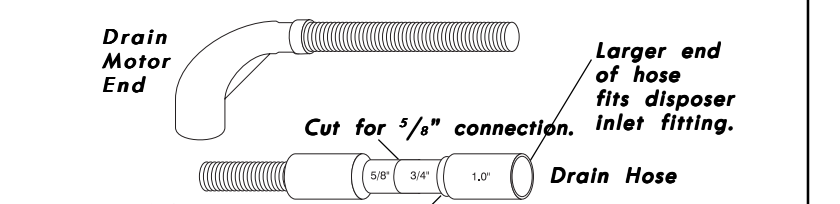
1. Unlatch and open door. Using a Phillips head screw driver, remove two (2) lower screws from inner door. Save screws to reassemble. See **Figure 16a**.



2. Close and latch door while holding both sides.
3. Place one hand on each side of door and pull down at top approximately 1/4". Pull entire door assembly toward you to remove. See **Figure 16b**.



3. If you connect to a sink trap, local codes may require you to install an air gap kit, not included. The drain hose will be routed from dishwasher to air gap inlet as shown in **Figure 6**. An air gap kit is available from a plumbing supply store.
4. If you connect to a disposer, the large end of drain hose will fit. **Figure 7(a). The knock out plug must be removed from inside disposer inlet before making the final fit to drain hose.** See **Figure 7(b)**.



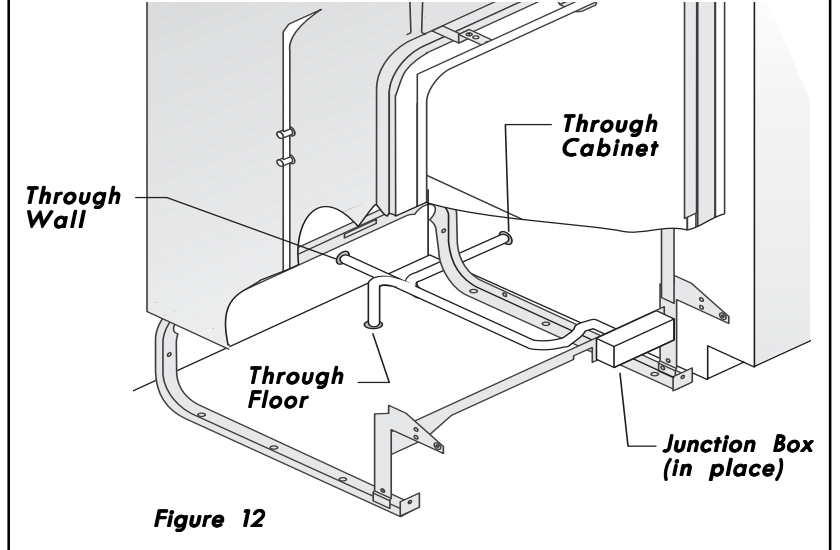
5. Before cutting drain hose access, check both sides of selected area to avoid interference. Cut a 2" diameter hole in shaded area shown in **Figure 2**.

6. If the cabinet wall is wood, sand edges of hole until smooth and rounded. If cabinet wall is metal, cover all sharp edges with electrical or duct tape to avoid cutting drain hose.

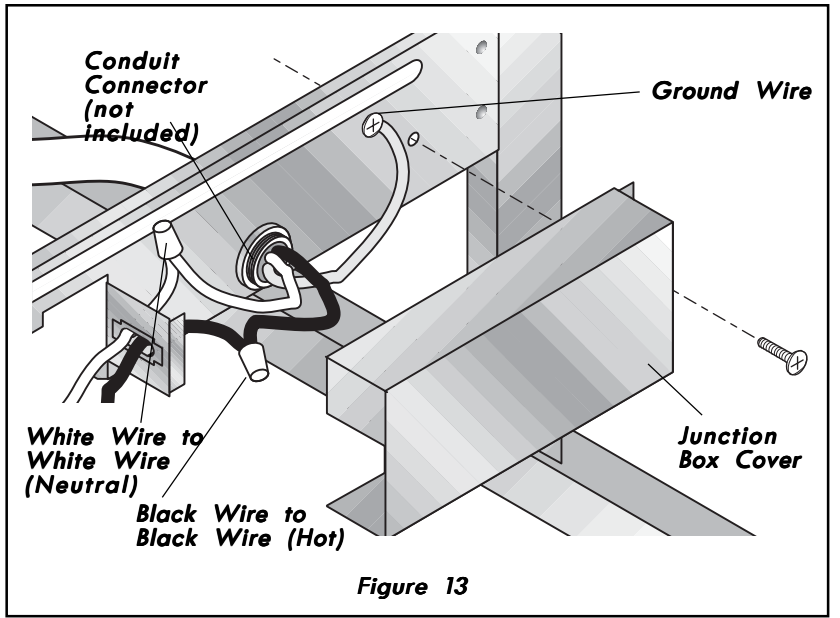
Electrical Supply

1. Remove junction box cover and pull house wiring into junction box. See **Figures 12 and 13**.
2. Use a UL listed conduit connector, not included, at box to stabilize wiring.

IMPORTANT: Be sure electrical cable is not routed behind dishwasher's motor.



3. Inside junction box, attach ground wire under head of grounding screw and tighten. See **Figure 13**.
4. Connect incoming black lead to dishwasher's black lead and incoming white lead to dishwasher's white lead with wire nuts or other suitable connectors, not included. Wire nuts should be tight.
5. Replace junction box cover. See **Figure 13**.



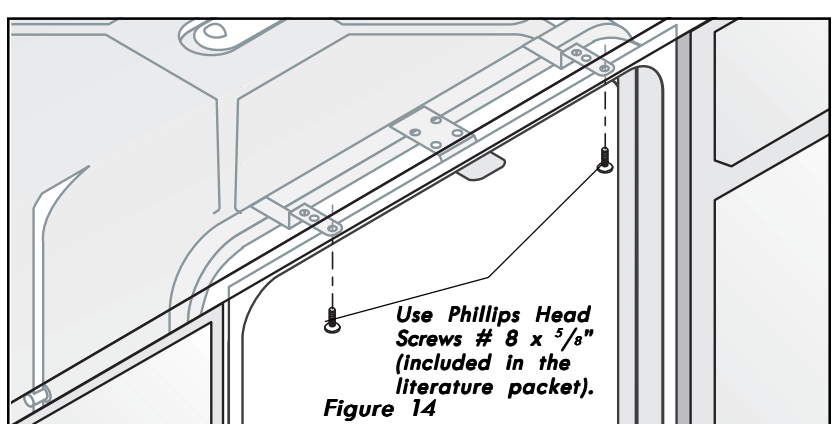
Securing the Dishwasher

The dishwasher must be secured to keep it from tilting when door is opened. Choose one of the methods described below to secure unit.

Countertop Anchoring

1. Install the Cabinet Seal Kit (Instructions included in Kit)
2. Replace Kickplate. See **Figure 1**
3. Adjust levelers (See Step 5) so mounting brackets touch underside of countertop. **IMPORTANT:** Dishwasher must rest on floor—do not hang from countertop. See **Figure 14**.
4. Tub needs to be even with the front of adjoining cabinets.
5. Screw mounting brackets firmly to countertop using screws provided in literature packet.
6. Open and close dishwasher door slowly. If door hits mounting bracket screw heads, adjust front levelers.

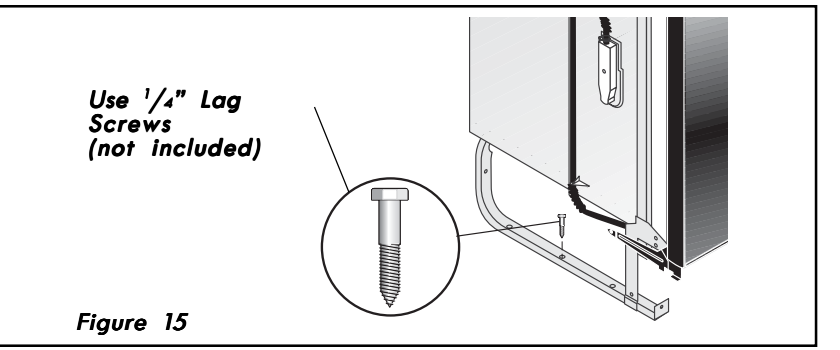
Note: Open and close door to make sure it does not hit surrounding cabinets or countertop.



Floor Anchoring

This procedure is difficult and should be used only if countertop mounting brackets cannot be used.

1. Screw 1/2" lag screws, not included, through holes provided in fram rail. See **Figure 15**.
2. Use expansion fasteners if floor is concrete.



Note: If mounting your dishwasher to the counter top or to the floor is not a desirable option, you can order the side mounting kit, 154477201, by calling 1-800-4MY-HOME. This allows you to install the dishwasher by securing it to the cabinets or partitions on either side of the unit. The kit utilizes the front frame of the dishwasher to secure the unit to the cabinet or partitions.

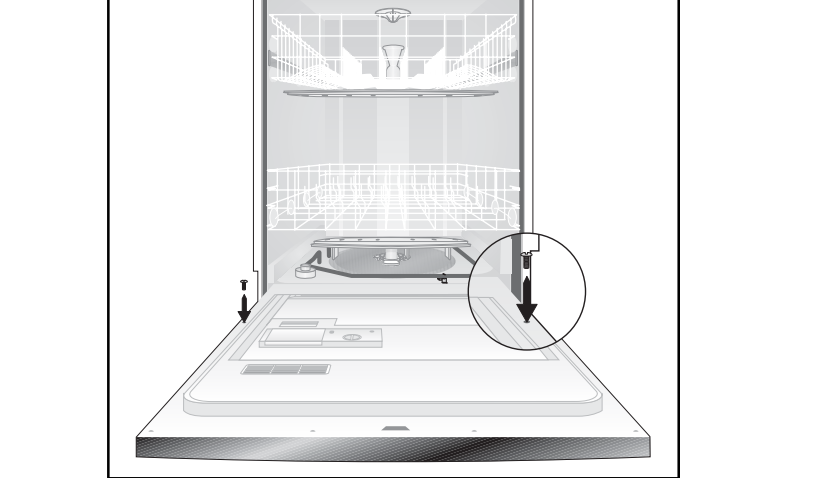
Removing & Replacing Door

WARNING
Electric Shock Hazard
Disconnect electrical power at the fuse box or circuit breaker box before beginning installation. Failure to follow this warning could result in death or serious injury.

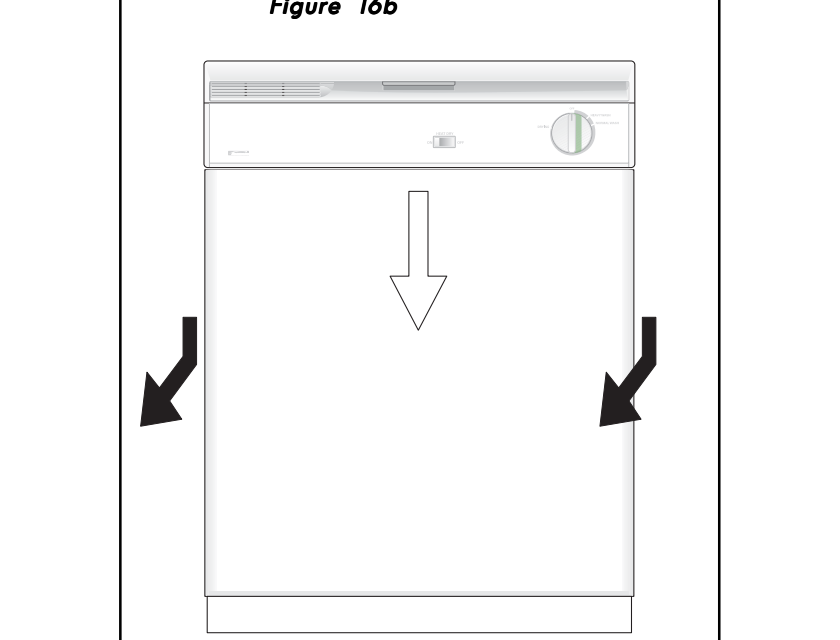
CAUTION
Cut Hazard
Metal color panels are sharp and should be handled with care. Wear gloves to protect hands. Failure to follow this warning may result in injury.

To Remove and Replace Outer Door

1. Unlatch and open door. Using a Phillips head screw driver, remove two (2) lower screws from inner door. Save screws to reassemble. See **Figure 16a**.



2. Close and latch door while holding both sides.
3. Place one hand on each side of door and pull down at top approximately 1/4". Pull entire door assembly toward you to remove. See **Figure 16b**.



Checking the Installation

Before starting the dishwasher, check these items:

- Drain hose is assembled to drain pump.
- All packing materials and consumer literature have been removed from unit.
- Dishwasher is level and securely fastened.
- Open and close door to make sure it does not hit surrounding cabinet or countertop.
- Water and drain lines have no kinks.
- Wiring connections to junction box are tight.
- Water supply is turned on.
- Joints are free of leaks.

Replacing Door

1. Refer to **Step 10**, numbers 5 and 6, for replacing outer door.
2. Adjust door springs to balance weight of door. A correct spring setting allows door to remain horizontal in opened position, yet will rise to close with slight lift to finger.
3. If necessary, increase tension by moving springs to a hole toward rear of unit or decrease by moving them toward front.
4. Turn electrical supply on.

Operate the machine through at least one fill and pump-out, checking the following items:

- At first fill, make sure water completely covers filter surface. (Motor pump sound may be heard before water enters unit.)
- At pump-out, make sure all water is pumped out.
- Check water connections again for leaks.

WARNING
Electric Shock Hazard
If all connections are correct, there are no leaks, and unit runs properly, replace the kickplate assembly before placing unit into operation. Failure to follow this warning could result in electric shock.