

Part Install Instructions

Upper Rack Bracket and Roller Assembly

! IMPORTANT SAFETY NOTICE

The information in this part instruction is intended for use by individuals possessing adequate backgrounds of electrical, electronic and mechanical experience. Any attempt to repair a major appliance may result in personal injury and property damage. The manufacturer or seller cannot be responsible for the interpretation of this information, nor can it assume any liability in connection with its use.

! WARNING

To avoid personal injury, disconnect power before servicing this appliance. If electrical power is required for diagnosis or test purposes, disconnect the power immediately after performing the necessary checks. **RECONNECT ALL GROUNDING DEVICES** if grounding wires, screws, straps, clips, nuts, or washers used to complete a path to ground are removed for service, they must be returned to their original position and properly fastened.

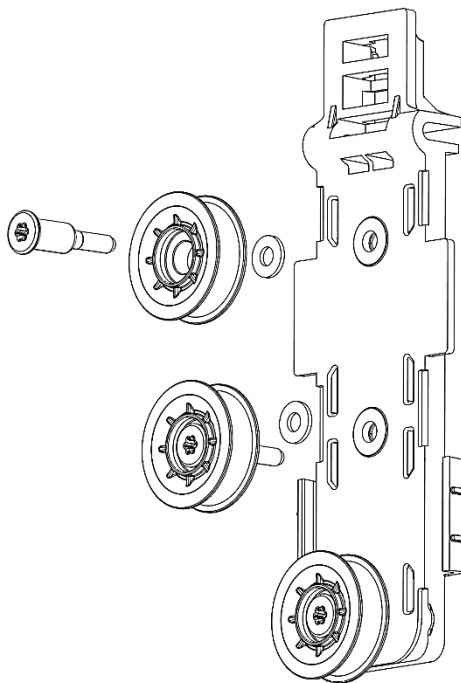
Parts Included:

- Bracket
- Rollers
- Clip
- Instruction Sheet

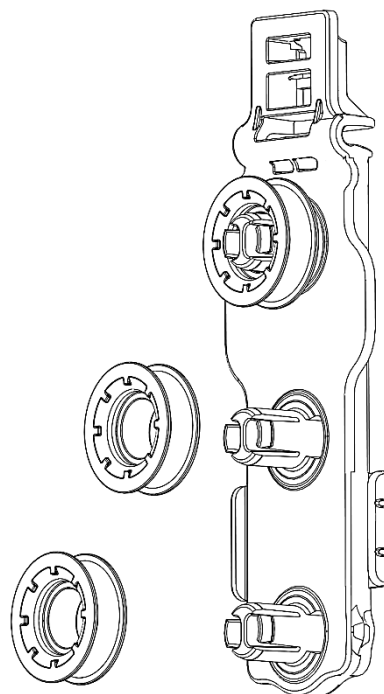
Overview – Upper Rack Roller and Bracket Update

Upper rack bracket and roller assemblies for both non-adjustable and adjustable racks (2 or 3 roller assemblies) have been updated. The update includes rollers now mounted with tabs. All roller combinations (2 or 3 rollers) are interchangeable and a mixture of either screw type or non-screw type is acceptable.

Rollers Secured with Screws

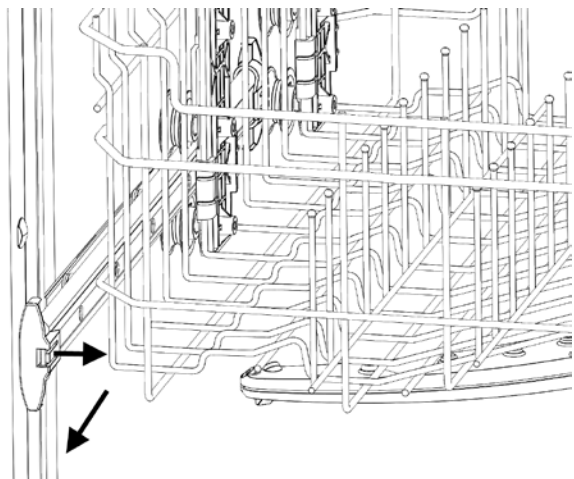


Rollers Secured with Tabs



To Remove the Upper Rack

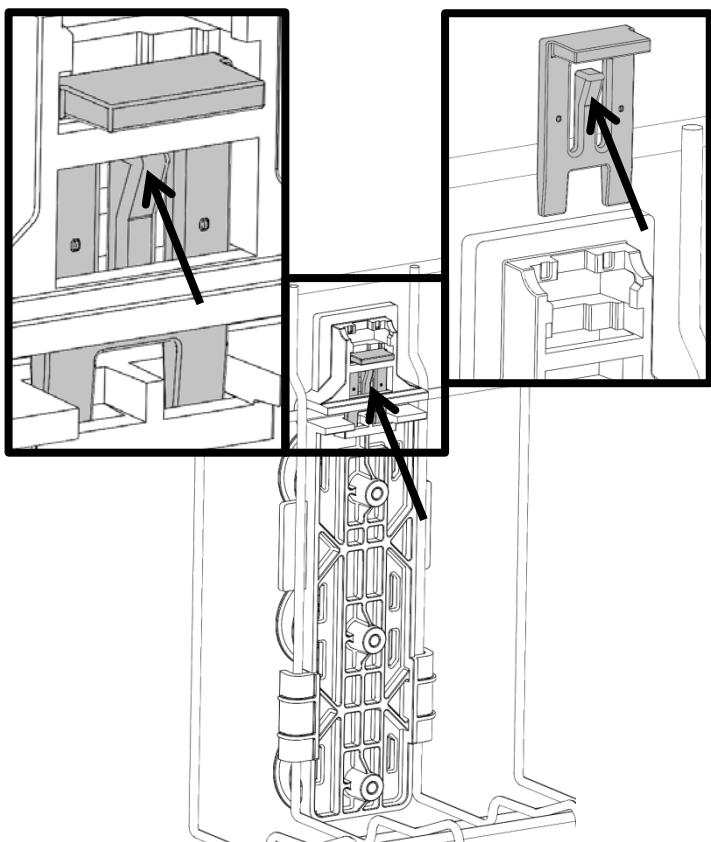
Step 1- Remove the front upper rack track end caps by pushing the tab in (toward the inside of the dishwasher), and pull the cap off the track



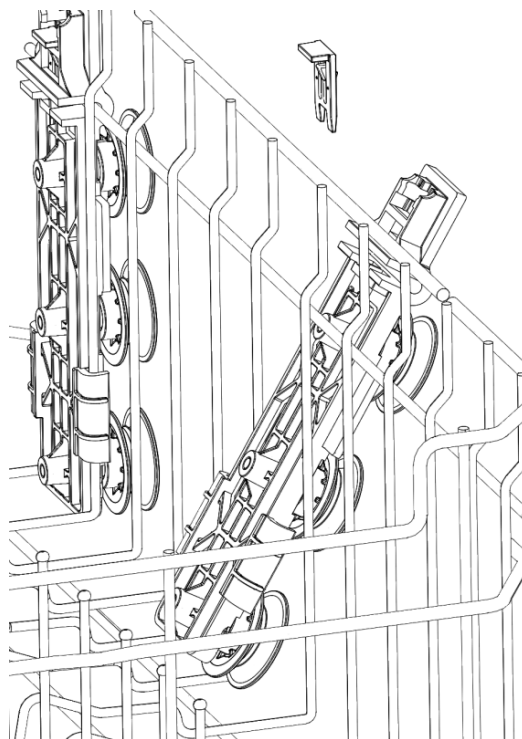
Step 2- Pull the rack out of the tracks

To Remove the Roller and Bracket Assembly

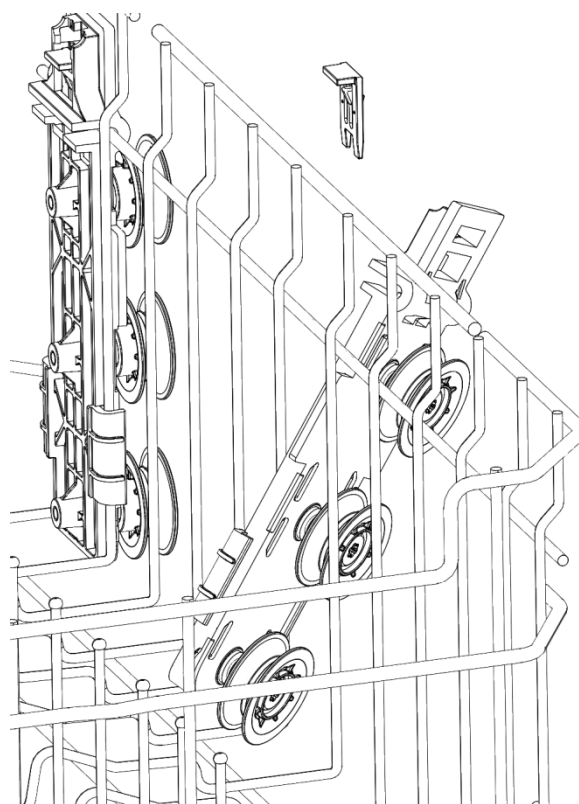
Step 1 – Remove the clip securing the bracket to the rack by pushing in on the tab and pulling the clip up and out of the bracket (tab shown below).
When re-assembling the clip, make sure it is fully inserted and locked in place.



Step 2- Tip the top of the bracket out and away from the rack.



Step 3- turn the bracket 90 degrees and pull out to remove the bracket assembly.



Universal Keywords: Div22 Src363 GE General Electric Mechtech

Document Specific Keywords: Instruction Sheet

Date: 072516

Document Name: WD00X23296

Subject: GE Dishwasher Upper Rack Bracket and Roller Assembly Part Install Instructions

Models: ADT521PGF0BS ADT521PGF2BS ADT521PGF4BS ADT521PGF6BS
ADT521PGJ0BS GDF510PGD0BB GDF510PGD0WW GDF510PGD1BB
GDF510PGD2BB GDF510PGD4BB GDF510PGD6BB GDF510PGJ0BB
GDF510PMD0SA GDF510PMD1SA GDF510PMD2MB GDF510PMD2SA
GDF510PMD4SA GDF510PMD6SA GDF510PMJ0SA GDF510PSD0SS
GDF510PSD1SS GDF510PSD2SS GDF510PSD4SS GDF510PSD6SS
GDF510PSJ0SS GDF520PGD0BB GDF520PGD1BB GDF520PGD2BB
GDF520PGD4BB GDF520PGD6BB GDF520PGJ0BB ADT521PGF0WS
ADT521PGF2WS ADT521PGF4WS ADT521PGF6WS ADT521PGJ0WS
GDF510PGD0BB GDF510PGD0WW GDF510PMD0SA GDF510PSD0SS
GDF520PGD0BB GDF520PGD0CC GDF520PGD0WW GDF520PGD1CC
GDF520PGD1WW GDF520PGD2CC GDF520PGD2WW GDF520PGD4CC
GDF520PGD4WW GDF520PGD6CC GDF520PGD6WW GDF520PGJ0CC
GDF520PGJ0WW GDF520PSD0SS GDF520PSD1SS GDF520PSD2SS
GDF520PSF1SS GDF520PSF2SS GDF520PSF4SS GDF520PSF6SS
GDF520PSJ0SS WD12X10410 WD12X10445