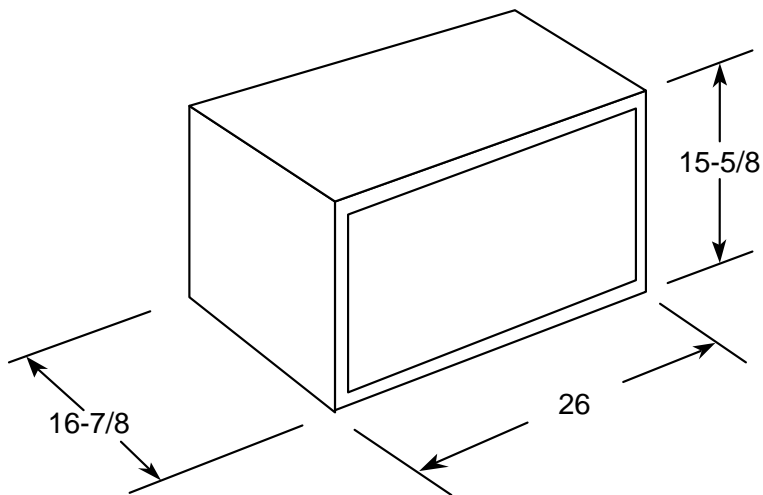




GE Appliances

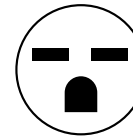
AJCS10DC—"J Series" Cool Unit

Wall Case Dimensions (in inches)



Note: When installing units in through-the-wall applications. Do not restrict air flow areas.

Tandem



230/208V
15 Amp



Total capacity and E.E.R. ratings are calculated based on the Association of Home Appliance Manufacturers' standards.



Listed by
Underwriters
Laboratories

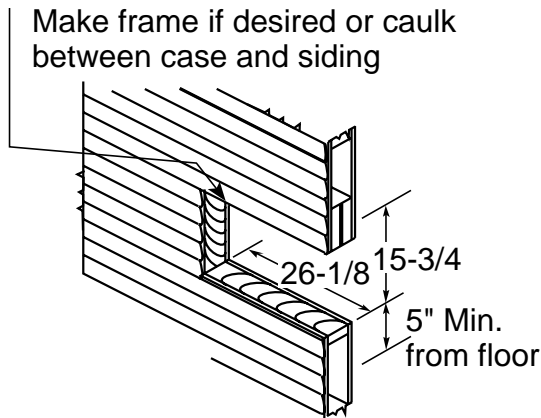
For answers to your Monogram,[®]GE Profile Performance Series,[™] GE Profile,[™] GE, Hotpoint and RCA appliance questions, call GE Answer Center[®] service, 800.626.2000.



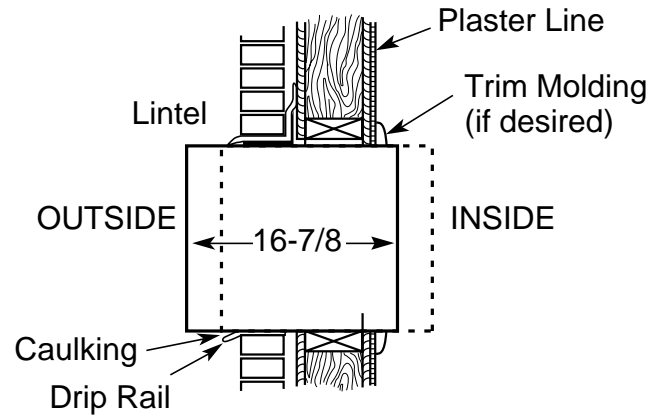
GE Appliances

AJCS10DC—"J Series" Cool Unit

Dimensions (in inches)

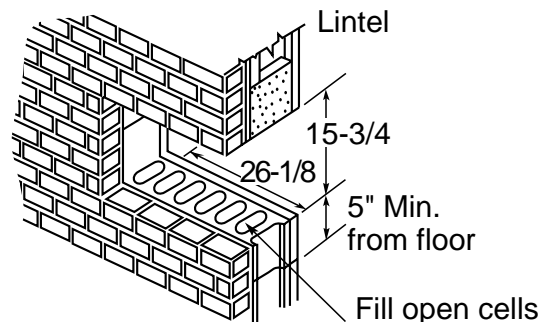


Frame Construction



Flexible Mounting Position

Installation Information: A finished opening of 26-1/8" x 15-3/4" clear of intrusions is required. Keep clearance of 4" from side walls. Brick veneer or frame walls should have wood studding surrounding case to provide firm anchoring with screws. Case can be fastened directly to brick or block walls with screws sunk in lead expansion shields.



Brick Block and Brick Frame Construction

For answers to your Monogram,® GE Profile Performance Series,™ GE Profile,™ GE, Hotpoint and RCA appliance questions, call GE Answer Center® service, 800.626.2000.



Total capacity and E.E.R. ratings are calculated based on the Association of Home Appliance Manufacturers' standards.



Listed by Underwriters Laboratories



GE Appliances

AJCS10DC—"J Series" Cool Unit

Features and Benefits

- Decorative Warm Gray-Beige Front
- 9,900/9,700 BTUH, 9.2/9.2 E.E.R., 230/208 Volts
- Fan Cycle Switch for Reduced Energy Consumption
- Variable Setting Thermostat
- 2 Cooling/2 Fan Only Speeds
- Wall Installation
- Slide-Out Filter for Easy Cleaning
- Exhaust for Air Exchange
- Slide-Out Chassis
- Wall Case—Optional Accessory (RAB46/47/48)
- Plug Type—Tandem