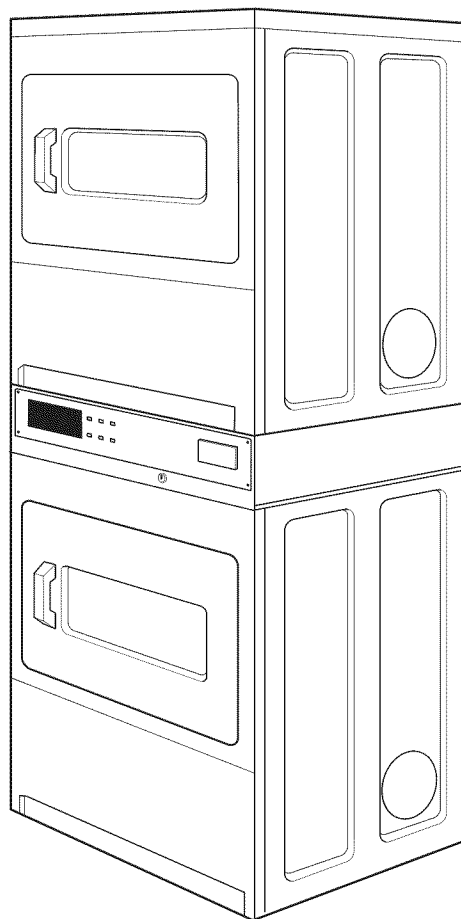




**INSTALLATION INSTRUCTIONS
COMMERCIAL STACKED DRYER**
Gas (120-Volt, 60-Hz) or Electric (120/240-Volt, 60-Hz)

**INSTRUCTIONS POUR L'INSTALLATION D'UNE
SÈCHEUSE COMMERCIALE SUPERPOSÉE**
à gaz (120 Volts, 60 Hz) ou électrique (120/240 Volts, 60 Hz)

Table of Contents/Table des matières 2



Actual unit may or may not contain doors with windows, depending on model

Selon le modèle, le présent appareil n'offre peut-être pas de hublot de porte.

TABLE OF CONTENTS

DRYER SAFETY.....	2
INSTALLATION REQUIREMENTS	4
Tools and Parts	4
Location Requirements.....	4
Electrical Requirements - Gas Dryer	6
Electrical Requirements - Electric Dryer (U.S. only)	6
Gas Supply Requirements	7
Venting Requirements	8
INSTALLATION INSTRUCTIONS – GAS DRYER	10
Make Gas Connection.....	10
Connect Vent	10
Complete Installation	10
INSTALLATION INSTRUCTIONS – ELECTRIC DRYER.....	11
Make Electrical Connection.....	11
Connect Vent	15
Complete Installation	15
ELECTRONIC CONTROL SETUP	15
MAINTENANCE INSTRUCTIONS	15

TABLE DES MATIÈRES

SÉCURITÉ DE LA SÈCHEUSE	17
EXIGENCES D'INSTALLATION.....	19
Outillage et pièces	19
Exigences d'emplacement	19
Spécifications électriques - sècheuse à gaz	21
Spécifications électriques - sècheuse électrique (É.-U. seulement)	21
Spécifications de l'alimentation en gaz	22
Exigences concernant l'évacuation	23
INSTRUCTIONS D'INSTALLATION – SÈCHEUSE À GAZ	25
Raccordement à la canalisation de gaz	25
Raccordement du conduit d'évacuation	25
Achever l'installation	26
INSTRUCTIONS D'INSTALLATION – SÈCHEUSE ÉLECTRIQUE.....	26
Raccordement électrique	26
Raccordement du conduit d'évacuation	31
Achever l'installation	31
RÉGLAGE DE LA COMMANDE ÉLECTRONIQUE	31
INSTRUCTIONS D'ENTRETIEN	31

DRYER SAFETY

Your safety and the safety of others are very important.

We have provided many important safety messages in this manual and on your appliance. Always read and obey all safety messages.



This is the safety alert symbol.

This symbol alerts you to potential hazards that can kill or hurt you and others.

All safety messages will follow the safety alert symbol and either the word "DANGER" or "WARNING."

These words mean:

⚠ DANGER

You can be killed or seriously injured if you don't immediately follow instructions.

⚠ WARNING

You can be killed or seriously injured if you don't follow instructions.

All safety messages will tell you what the potential hazard is, tell you how to reduce the chance of injury, and tell you what can happen if the instructions are not followed.

- It is recommended that the owner post, in a prominent location, instructions for the customer's use in the event the customer smells gas. This information should be obtained from your gas supplier.
- Post the following warning in a prominent location.

FOR YOUR SAFETY

Do not store or use gasoline or other flammable vapors and liquids in the vicinity of this or any other appliance.

WARNING: For your safety, the information in this manual must be followed to minimize the risk of fire or explosion, or to prevent property damage, personal injury, or death.

- Do not store or use gasoline or other flammable vapors and liquids in the vicinity of this or any other appliance.
- **WHAT TO DO IF YOU SMELL GAS:**
 - Do not try to light any appliance.
 - Do not touch any electrical switch; do not use any phone in your building.
 - Clear the room, building, or area of all occupants.
 - Immediately call your gas supplier from a neighbor's phone. Follow the gas supplier's instructions.
 - If you cannot reach your gas supplier, call the fire department.
- Installation and service must be performed by a qualified installer, service agency, or the gas supplier.

WARNING: Gas leaks cannot always be detected by smell.
Gas suppliers recommend that you use a gas detector approved by UL or CSA.
For more information, contact your gas supplier.
If a gas leak is detected, follow the "What to do if you smell gas" instructions.

In the State of Massachusetts, the following installation instructions apply:

- Installations and repairs must be performed by a qualified or licensed contractor, plumber, or gasfitter qualified or licensed by the State of Massachusetts.
- If using a ball valve, it shall be a T-handle type.
- A flexible gas connector, when used, must not exceed 3 feet.

IMPORTANT SAFETY INSTRUCTIONS

WARNING: To reduce the risk of fire, electric shock, or injury to persons when using the dryer, follow basic precautions, including the following:

- Read all instructions before using the dryer.
- Do not place items exposed to cooking oils in your dryer. Items contaminated with cooking oils may contribute to a chemical reaction that could cause a load to catch fire.
- Do not dry articles that have been previously cleaned in, washed in, soaked in, or spotted with gasoline, dry-cleaning solvents, other flammable, or explosive substances as they give off vapors that could ignite or explode.
- Do not allow children to play on or in the dryer. Close supervision of children is necessary when the dryer is used near children.
- Before the dryer is removed from service or discarded, remove the door to the drying compartment.
- Do not reach into the dryer if the drum is moving.
- Do not install or store the dryer where it will be exposed to the weather.
- Do not tamper with controls.
- Do not repair or replace any part of the dryer or attempt any servicing unless specifically recommended in this Use and Care Guide or in published user-repair instructions that you understand and have the skills to carry out.
- Do not use fabric softeners or products to eliminate static unless recommended by the manufacturer of the fabric softener or product.
- Do not use heat to dry articles containing foam rubber or similarly textured rubber-like materials.
- Clean lint screen before or after each load.
- Keep area around the exhaust opening and adjacent surrounding areas free from the accumulation of lint, dust, and dirt.
- The interior of the dryer and exhaust vent should be cleaned periodically by qualified service personnel.
- See installation instructions for grounding requirements.

SAVE THESE INSTRUCTIONS

IMPORTANT: The gas installation must conform with local codes, or in the absence of local codes, with the National Fuel Gas Code, ANSI Z223.1/NFPA 54 or the Canadian Natural Gas and Propane Installation Code, CSA B149.1.

The dryer must be electrically grounded in accordance with local codes, or in the absence of local codes, with the National Electrical Code, ANSI/NFPA 70 or Canadian Electrical Code, CSA C22.1.

INSTALLATION REQUIREMENTS

Tools and Parts

Gather the required tools and parts before starting installation. Read and follow the instructions provided with any tools listed here.

Tools needed

- 8" or 10" pipe wrench
- 8" or 10" adjustable wrench
- Flat-blade screwdriver
- Phillips screwdriver
- Adjustable wrench that opens to 1" (2.5 cm) or 1" (25 mm) hex-head socket wrench
- Security T-20 TORX^{®†} driver
- Level
- 5/16" open-end wrench
- Vent clamps
- Pipe-joint compound resistant to LP gas
- Caulk gun and caulk (for installing new exhaust vent)
- Pliers
- Putty knife

Parts supplied

Remove parts bag from dryer drum. Check that all parts were included.

- 10-32 x 5/16" serrated screw (4)
- Security cotter pin (2)

Location Requirements

⚠ WARNING



Explosion Hazard

Keep flammable materials and vapors, such as gasoline, away from dryer.

Do not install in a garage.

Failure to do so can result in death, explosion, or fire.

If installing a gas dryer:

IMPORTANT: Observe all governing codes and ordinances.

- Check code requirements: Some codes limit or do not permit installation of clothes dryers in closets or sleeping quarters. Contact your local building inspector.
- Make sure that lower edges of the cabinet, plus the back and bottom sides of the dryer, are free of obstructions to permit adequate clearance of air openings for combustion air. See "Recessed Area Installation Instructions" below for minimum spacing requirements.

NOTE:

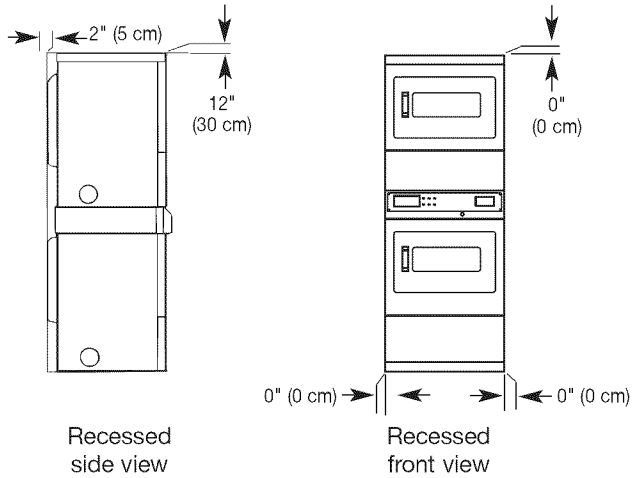
- The dryer must not be installed in an area where it will be exposed to water and/or weather.
- This dryer must not be installed in a closet with a door.

Recessed Area Installation Instructions

This dryer may be installed in a recessed area. Minimum installation clearances can be found on the rear of the dryer. The dryer must be exhausted outdoors.

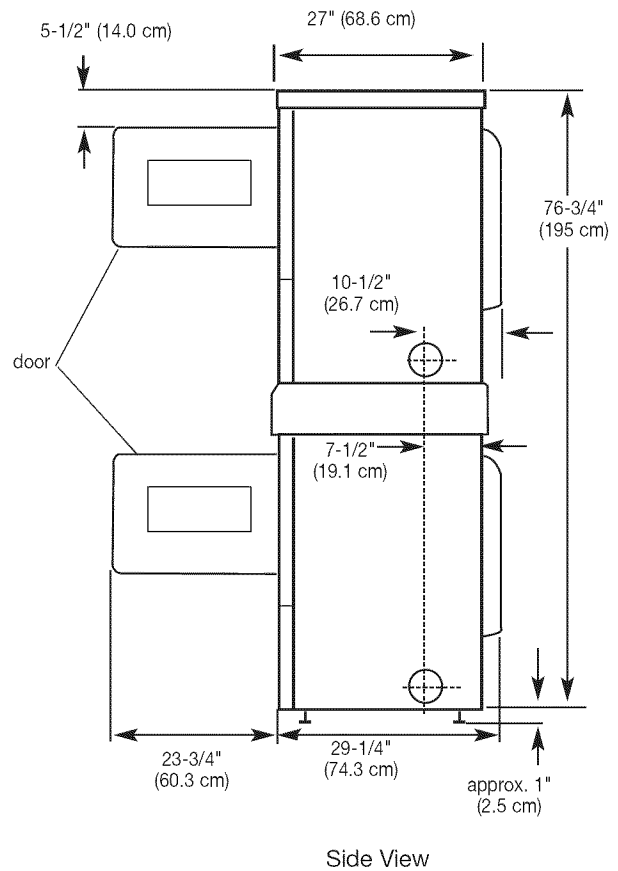
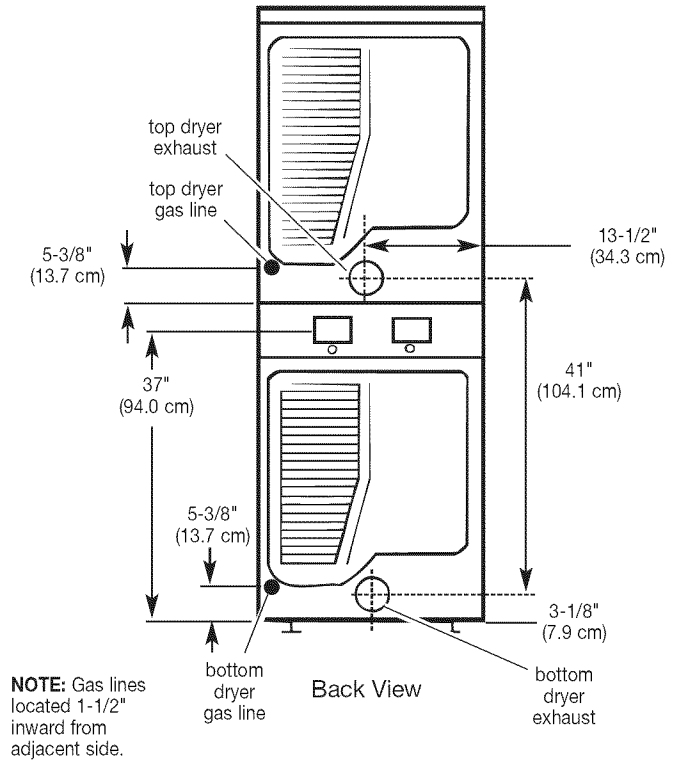
Minimum Installation Clearances

	Back	Sides	Top	Front
Recessed	2 in (5 cm)	0 in (0 cm)	12 in (30 cm)	—



Additional clearances for wall, door, and floor moldings may be required or if external exhaust elbow is used.

Product Dimensions



Electrical Requirements – Gas Dryer

⚠ WARNING



Electrical Shock Hazard

Plug into a grounded 3 prong outlet.

Do not remove ground prong.

Do not use an adapter.

Do not use an extension cord.

Failure to follow these instructions can result in death, fire, or electrical shock.

IMPORTANT: The dryer must be electrically grounded in accordance with local codes and ordinances or, in the absence of local codes, with the National Electrical Code, ANSI/NFPA 70, latest edition.

If codes permit and a separate ground wire is used, it is recommended that a qualified electrical installer determine that the ground path is adequate.

A copy of the above code standards can be obtained from:

National Fire Protection Association
One Batterymarch Park, Quincy, MA 02269

- A 120 volt, 60 Hz, AC only, 15-amp, fused electrical circuit is required. A time-delay fuse or circuit breaker is also recommended. It is recommended that a separate circuit serving only this dryer be provided.

Recommended Ground Method

The dryer, when installed, must be electrically grounded in accordance with local codes or, in the absence of local codes, with the National Electrical Code, ANSI/NFPA 70, latest edition.

GROUNDING INSTRUCTIONS

- For a grounded, cord-connected dryer:
This dryer must be grounded. In the event of a malfunction or breakdown, grounding will reduce the risk of electric shock by providing a path of least resistance for electric current. This dryer is equipped with a cord having an equipment-grounding conductor and a grounding plug. The plug must be plugged into an appropriate outlet that is properly installed and grounded in accordance with all local codes and ordinances.

WARNING: Improper connection of the equipment-grounding conductor can result in a risk of electric shock. Check with a qualified electrician or service representative or personnel if you are in doubt as to whether the dryer is properly grounded. Do not modify the plug provided with the dryer: if it will not fit the outlet, have a proper outlet installed by a qualified electrician.

SAVE THESE INSTRUCTIONS

Electrical Requirements – Electric Dryer (U.S. Only)

IMPORTANT: The dryer must be electrically grounded in accordance with local codes and ordinances or, in the absence of local codes, with the National Electrical Code, ANSI/NFPA 70, latest edition.

The National Electrical Code requires a 4-wire supply connection for homes built after 1996, dryer circuits involved in remodeling after 1996, and all mobile home installations.

If codes permit and a separate ground wire is used, it is recommended that a qualified electrical installer determine that the ground path is adequate.

A copy of the above code standards can be obtained from:

National Fire Protection Association
One Batterymarch Park, Quincy, MA 02269

- A four-wire or three-wire, single-phase, 120/240 volt, 60 Hz, AC only electrical supply (or four-wire or three-wire, 120/208 volt, if specified on the model/serial rating plate) is required on a separate, 30-amp circuit, fused on both sides of the line. A time-delay fuse or circuit breaker is recommended.

Recommended Ground Method

It is your responsibility to contact a qualified electrical installer to ensure that the electrical installation is adequate and in conformity with the National Electrical Code, ANSI/NFPA 70, latest edition, and all local codes and ordinances.

GROUNDING INSTRUCTIONS

- For a grounded, cord-connected dryer:
This dryer must be grounded. In the event of a malfunction or breakdown, grounding will reduce the risk of electric shock by providing a path of least resistance for electric current. This dryer uses a cord having an equipment-grounding conductor and a grounding plug. The plug must be plugged into an appropriate outlet that is properly installed and grounded in accordance with all local codes and ordinances.
- For a permanently connected dryer:
This dryer must be connected to a grounded metal, permanent wiring system, or an equipment-grounding conductor must be run with the circuit conductors and connected to the equipment-grounding terminal or lead on the dryer.

WARNING: Improper connection of the equipment-grounding conductor can result in a risk of electric shock. Check with a qualified electrician or service representative or personnel if you are in doubt as to whether the dryer is properly grounded. Do not modify the plug on the power supply cord: if it will not fit the outlet, have a proper outlet installed by a qualified electrician.

SAVE THESE INSTRUCTIONS

Gas Supply Requirements

⚠ WARNING



Explosion Hazard

Use a new CSA International approved gas supply line.

Install a shut-off valve.

Securely tighten all gas connections.

If connected to LP, have a qualified person make sure gas pressure does not exceed 13" (33 cm) water column.

Examples of a qualified person include:

**licensed heating personnel,
authorized gas company personnel, and
authorized service personnel.**

Failure to do so can result in death, explosion, or fire.

IMPORTANT: Observe all governing codes and ordinances.

This installation must conform with all local codes and ordinances. In the absence of local codes, installation must conform with American National Standard, National Fuel Gas Code ANSI Z223.1/NFPA 54.

A copy of the above code standards can be obtained from:

National Fire Protection Association
One Batterymarch Park, Quincy, MA 02269

The design of this dryer has been certified by CSA International for use at altitudes up to 10,000 feet (3048 m) above sea level at the B.T.U. rating indicated on the model/serial plate. Burner input adjustments are not required when the dryer is operated up to this elevation.

When installed above 10,000 feet (3048 m), a four percent (4%) reduction of the burner B.T.U. rating shown on the model/serial plate is required for each 1,000 foot (305 m) increase in elevation. For assistance when converting to other gas types and/or installing above 10,000 feet (3048 m) elevation, contact your local service company.

Type of Gas

This dryer is equipped for use with natural gas. It is design-certified by CSA International for L.P. (propane and butane) gases with appropriate conversion. No attempt shall be made to convert the dryer from the gas specified on the serial/rating plate for use with a different gas without consulting the serving gas supplier. Conversion must be done by a qualified service technician. Gas conversion kit part numbers are listed on the gas valve burner base.

Gas Supply Line

Recommended method

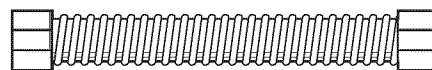
- Provide a gas supply line of ½" rigid (IPS) pipe to the dryer location. Pipe joint compounds that resist the action of LP gas must be used. Do not use TEFLON®† tape. With LP gas, piping or tubing size can be ½" minimum. Usually, LP gas suppliers determine the size and materials used in the system.

Alternate method

- The gas supply may also be connected using ¾" approved copper or aluminum tubing. If the total length of the supply line is more than 20 feet (6.1 m), larger tubing will be required. If using natural gas, do not use copper tubing. Pipe joint compounds that resist the action of LP gas must be used.

Flexible metal appliance connector

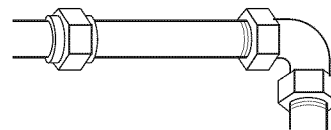
- It is recommended that a new flexible stainless steel gas line, design-certified by CSA International, be used for connecting the dryer to the gas supply line. (The gas pipe which extends through the lower rear of the dryer is provided with ¾" male pipe thread.)



- Do not kink or damage the flexible stainless steel gas line when moving the dryer.

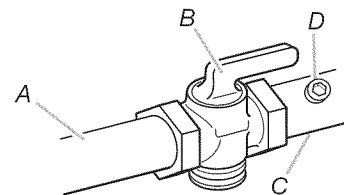
Rigid pipe connection

The rigid pipe connection requires a combination of pipe fittings to obtain an in-line connection to the dryer.



- Must include a shutoff valve:

The supply line must be equipped with a manual shutoff valve. In the U.S., the valve must be installed within 6 ft. (1.8 m) of dryer in accordance with National Fuel Gas Code, ANSI Z223.1. In Canada, an individual manual shutoff valve must be installed in accordance with the B149 installation codes CAN/CGA B149.1 and CAN/CGA B149.2. This valve should be located in the same room as the dryer. It should be in a location that allows ease of opening and closing. Do not block access to shutoff valve. The valve is for turning on or shutting off gas to the dryer.



A. Gas supply line
B. Shutoff valve in "open" position
C. To dryer
D. NPT 1/8" min. plugged tapping

- Installed in a confined area:

If the dryer is installed in a confined area such as a bathroom, provision must be made for enough air for combustion and ventilation. Check governing codes and ordinances or refer to the "Recessed Area Installation Instructions" in the "Location Requirements" section.

†TEFLON is a registered trademark of E.I. Du Pont De Nemours and Company.

Gas Supply Pressure Testing

A 1/8" NPT minimum plugged tapping, accessible for gauge testing, must be installed immediately upstream of the installed shut-off valve to the dryer.

The dryer must be disconnected from the gas supply piping system during any pressure testing of the system at test pressures in excess of 1/2 psig.

Venting Requirements

⚠ WARNING



Fire Hazard

Use a heavy metal vent.

Do not use a plastic vent.

Do not use a metal foil vent.

Failure to follow these instructions can result in death or fire.

WARNING: To reduce the risk of fire, this dryer **MUST BE EXHAUSTED OUTDOORS.**

- The dryer vent must not be connected into any gas vent, chimney, wall, ceiling, or a concealed space of a building.
- Do not use an exhaust hood with a magnetic latch.
- Do not install flexible metal vent in enclosed walls, ceilings, or floors.
- 4" (10.2 cm) heavy metal vent and clamps must be used.
- Use clamps to seal all joints. Vent must not be connected or secured to the dryer with screws. Do not use duct tape.

IMPORTANT: Observe all governing codes and ordinances.

Use a heavy metal vent. Do not use plastic or metal foil vent.

Rigid metal vent is recommended to prevent crushing and kinking.

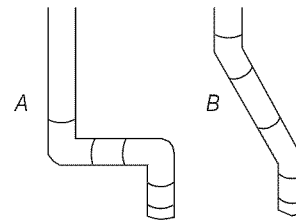
Flexible metal vent must be fully extended and supported when the dryer is in its final position. Remove excess flexible metal vent to avoid sagging and kinking that may result in reduced airflow and poor performance.

An exhaust hood should cap the vent to prevent rodents and insects from entering the home or business.

Exhaust hood must be at least 12" (30.5 cm) from the ground or any object that may be in the path of the exhaust (such as flowers, rocks, or bushes).

If using an existing vent system, clean lint from the entire length of the system and make sure exhaust hood is not plugged with lint. Replace any plastic or metal foil vent with rigid metal vent.

Plan installation to use the fewest number of elbows and turns.



Exhaust Air Flow

A. Good

B. Better

Allow as much room as possible when using elbows or making turns. Bend vent gradually to avoid kinking.

Vent outlet is located at the center of the bottom dryer back.

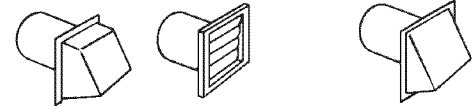
The vent can be routed up, down, left, right, behind the dryer, or straight out the back of the dryer.

Vent System Length

Maximum length of vent system depends upon the type of vent used, number of elbows, and type of exhaust hood. The maximum length for rigid vent is shown in the chart.

Maximum Vent Length

4" (10.2 cm) Diameter Exhaust Hoods



Rigid Metal Vent

No. of 90° turns	Box Hood and Louvered Style	Angled Hood Style
0	130 ft. (39.6 m)	129 ft. (39.3 m)
1	125 ft. (38.1 m)	119 ft. (36.3 m)
2	115 ft. (35.1 m)	109 ft. (33.2 m)
3	106 ft. (32.3 m)	100 ft. (30.5 m)
4	98 ft. (29.9 m)	92 ft. (28.0 m)

For vent systems not covered by the vent specification chart, see your parts distributor.

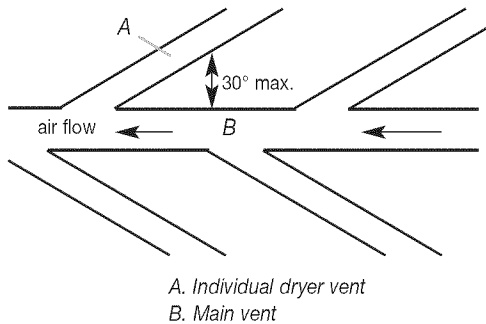
If dryer is installed in a confined area, such as a bedroom or bathroom, provision must be made for enough air for combustion and ventilation. (Check governing codes and ordinances.) See "Recessed Area Installation Instructions" in the "Location Requirements" section.

Multiple Dryer Venting

- A main vent can be used for venting a group of dryers. The main vent should be sized to remove 200 CFM of air per dryer (min. static pressure of 0.06 inch water column TOTAL). Large-capacity lint screens of proper design may be used in the main vent if checked and cleaned frequently. The room where the dryers are located should have make-up air equal to or greater than the CFM of all the dryers in the room.
- Back-draft Damper Kits, Part No. 3391910, are available from your dealer or distributor and should be installed in the vent of each dryer to prevent exhausted air from returning into the dryers and to keep the exhaust in balance within the main vent. Unobstructed air openings are required.

Each vent should enter the main vent at an angle pointing in the direction of the airflow. Vents entering from the opposite side should be staggered to reduce the exhausted air from interfering with the other vents.

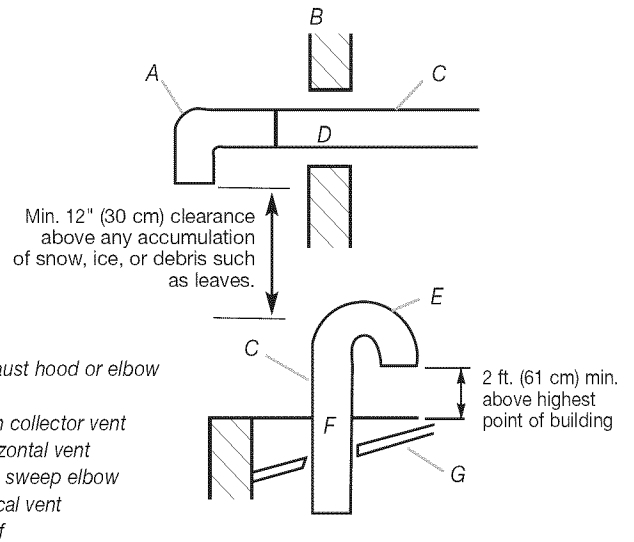
The maximum angle of each vent entering the main vent should be no more than 30°.



Keep air openings free of dry cleaning fluid fumes. Fumes create acids which, when drawn through the dryer heating units, can damage dryers and loads being dried.

A clean-out cover should be located on the main vent for periodic cleaning of the vent system.

If an exhaust hood cannot be used:



The outside end of the main vent should have a sweep elbow directed downward. If the main vent travels vertically through the roof, rather than through the wall, install a 180° sweep elbow on the end of the vent at least 2 feet (61 cm) above the highest part of the building. The opening in the wall or roof shall have a diameter 1/2" (1.3 cm) larger than the vent diameter. The vent should be centered in the opening.

Do not install screening or cap over the end of the vent.

INSTALLATION INSTRUCTIONS – GAS DRYER

Make Gas Connection

⚠ WARNING

Excessive Weight Hazard

**Use two or more people to move and install dryer.
Failure to do so can result in back or other injury.**

1. Remove red cap from gas pipe.
2. Connect gas supply to dryer. Use pipe-joint compound resistant to the action of L.P. gas for gas connections. If flexible metal tubing is used, be certain there are no kinks. If necessary for service, open the toe panel. Use a putty knife to press on the toe panel locks located at the upper corners of the toe panel. Pull downward on the toe panel to open. Toe panel is hinged at the bottom.
3. Open the shutoff valve in the gas supply line.
4. Test all connections by brushing on an approved noncorrosive leak-detection solution. Bubbles will show a leak. Correct any leak found.

Connect Vent

1. Using a 4" (10.2 cm) clamp, connect vent to exhaust outlet on rear of dryer. If connecting to existing vent, make sure the vent is clean. The dryer vent must fit over the dryer exhaust outlet and inside the exhaust hood. Make sure the vent is secured to exhaust hood with a 4" (10.2 cm) clamp.
2. Using two or more people, move dryer to desired installation location. Do not crush or kink vent. Make sure dryer is level.
3. Check that there are no kinks in the flexible gas line.

⚠ WARNING



Electrical Shock Hazard

Plug into a grounded 3 prong outlet.

Do not remove ground prong.

Do not use an adapter.

Do not use an extension cord.

Failure to follow these instructions can result in death, fire, or electrical shock.

Complete Installation

1. With dryer in final position, place level on top of the dryer, first side to side; then front to back. If the dryer is not level, adjust the legs of the dryer up or down until the dryer is level.
2. Using a Torx T20 security driver, open the control panel and rest it on the bottom edge of the opening.
3. For added security between the upper dryer and the collar, insert the cotter hair pin through the connecting bolt.
4. Close the control panel.
5. Plug into a grounded 3 prong outlet.
6. Check dryer operation.
Select a full heat cycle, let the dryer run for at least five minutes. Dryer will stop when time is used up.
NOTE: Dryer door must be closed for dryer to operate. When door is opened, dryer stops, but time continues to count down. To restart dryer, close door and reselect cycle.
7. If the burner does not ignite and you can feel no heat inside the dryer, shut off dryer for five minutes. Check that all supply valve controls are in "ON" position and that the electrical cord is plugged in. Repeat five-minute test.

INSTALLATION INSTRUCTIONS – ELECTRIC DRYER

Make Electrical Connection

⚠ WARNING

Excessive Weight Hazard

**Use two or more people to move and install dryer.
Failure to do so can result in back or other injury.**

Power Supply Cord Method – U.S. Only

- This dryer is manufactured ready to install with a 3-wire electrical supply connection. The neutral ground conductor is permanently connected to the neutral conductor (white wire) within the dryer. If the dryer is installed with a 4-wire electrical supply connection, the neutral ground conductor must be removed from the external ground connector (green screw), and secured under the neutral terminal (center or white wire) of the terminal block. When the neutral ground conductor is secured under the neutral terminal (center or white wire) of the terminal block, the dryer cabinet is isolated from the neutral conductor.

Power Supply Cord Method – U.S. Only

- If local codes do not permit the connection of a neutral ground wire to the neutral wire, see "Optional 3-wire connection" section.
- A 4-wire power supply connection must be used when the appliance is installed in a location where grounding through the neutral conductor is prohibited. Grounding through the neutral is prohibited for (1) new branch-circuit installations, (2) mobile homes, (3) recreational vehicles, and (4) areas where local codes prohibit grounding through the neutral conductors.

⚠ WARNING



Fire Hazard

Use a new UL listed 30 amp power supply cord.

Use a UL listed strain relief.

Disconnect power before making electrical connections.

Connect neutral wire (white or center wire) to center terminal (silver).

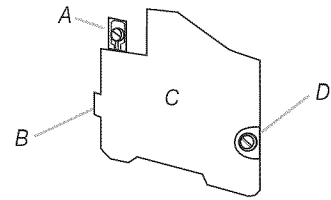
Ground wire (green or bare wire) must be connected to green ground connector.

Connect remaining 2 supply wires to remaining 2 terminals (gold).

Securely tighten all electrical connections.

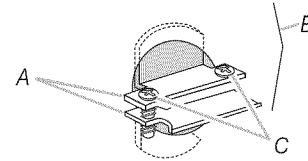
Failure to do so can result in death, fire, or electrical shock.

1. Disconnect power.



A. External ground conductor screw
B. Tab
C. Terminal block cover
D. Hold-down screw

2. Remove hold-down screw and the terminal block cover.
3. Assemble 3/4" UL-listed strain relief (UL marking on strain relief) into the hole below the terminal block opening. Tighten strain relief screws just enough to hold the two clamp sections together. Install power supply cord through the strain relief.

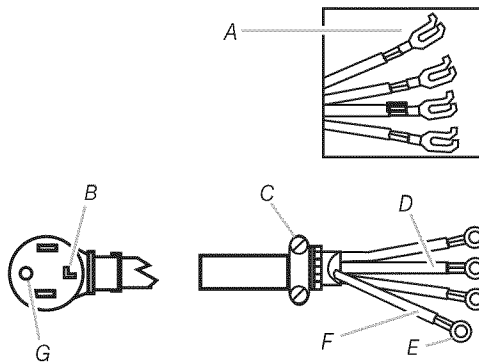


A. Strain relief clamp sections
B. Dryer cabinet
C. Strain relief screws

4. Complete installation following instructions for your type of electrical connection:

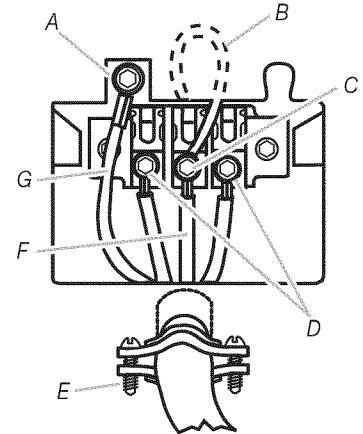
- Four-wire (recommended method)
- Three-wire (if four-wire is not available)

Power Supply Cord, Four-wire electrical connection:



A. Spade terminals with upturned ends
B. Neutral
C. 3/4" UL-listed strain relief
D. Neutral (white)
E. Ring terminals
F. Ground wire
G. Ground prong

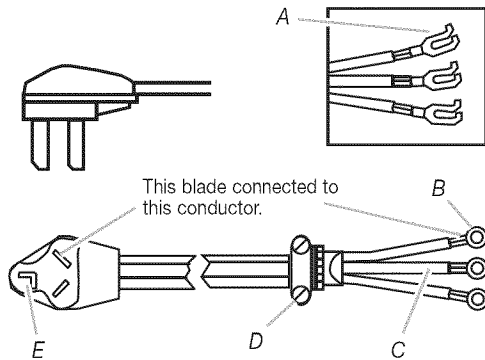
5. Remove the center terminal block screw.
6. Remove the appliance neutral ground wire from the external ground conductor screw. Fasten under center, silver-colored terminal block screw.
7. Connect the ground wire of the power supply cord to the external ground conductor screw. Tighten screw.
8. Connect the neutral wire (white or center) of the power supply cord under the center screw of the terminal block. Tighten screw.
9. Connect the other wires to outer terminal block screws. Tighten screws.
10. Tighten strain relief screws.
11. Insert tab of the terminal block cover into slot of the dryer rear panel. Secure cover with hold-down screw.



A. External ground conductor screw
B. Appliance neutral ground wire
C. Center terminal block screw
D. Outer terminal block screws
E. Strain relief screw
F. Neutral (center wire)
G. Ground wire

Four-wire power supply cord must have four, No. 10 copper wires and match a four-wire receptacle of NEMA Type 14-30R. The fourth wire (ground conductor) must be identified by a green cover and the neutral conductor by a white cover.

**Power Supply Cord,
Three-wire electrical connection:**

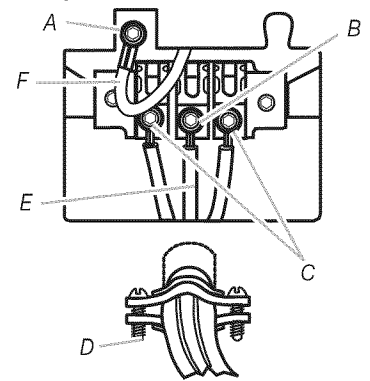


- A. Spade terminals with upturned ends
- B. Ring terminals
- C. Neutral (white or center)
- D. 1/4" UL-listed strain relief
- E. Neutral

Three-wire power supply cord must have three, No. 10 copper wires and match a three-wire receptacle of NEMA Type 10-30R.

Use this method where local codes permit connecting neutral ground wire to neutral wire:

5. Loosen or remove the center terminal block screw.
6. Connect the neutral wire (white or center) of the power supply cord to the center, silver-colored terminal screw of the terminal block. Tighten screw.
7. Connect the other wires to outer terminal block screws. Tighten screws.
8. Tighten strain relief screws.
9. Insert tab of the terminal block cover into slot of the dryer rear panel. Secure cover with hold-down screw.

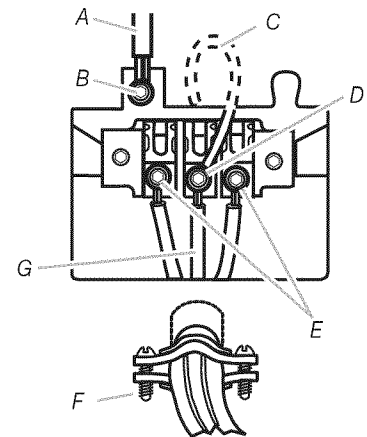


- A. External ground conductor screw
- B. Center terminal block screw
- C. Outer terminal block screws
- D. Strain relief screw
- E. Neutral (center wire)
- F. Appliance neutral ground wire

Use this method where local codes do not permit connecting neutral ground wire to neutral wire:

5. Remove the center terminal block screw.
6. Remove the appliance neutral ground wire from the external ground conductor screw. Connect the appliance neutral ground wire and the neutral wire (white or center) of the power supply cord under the center, silver-colored terminal block screw. Tighten screw.
7. Connect the other wires to outer terminal block screws. Tighten screws.
8. Tighten strain relief screws.
9. Insert tab of the terminal block cover into slot of the dryer rear panel. Secure cover with hold-down screw.
10. After reattaching the terminal cover, connect a separate copper ground wire from the external ground conductor screw to an adequate ground.

If codes permit and a separate ground wire is used, it is recommended that a qualified electrician determine that the ground path is adequate.



- A. Separate copper ground wire
- B. External ground conductor screw
- C. Appliance neutral ground wire
- D. Center terminal block screw
- E. Outer terminal block screws
- F. Strain relief screw
- G. Neutral (center wire)

Direct Wire Method – U.S. Only

⚠ WARNING



Fire Hazard

Use 10 gauge solid copper wire.

Use a UL listed strain relief.

Disconnect power before making electrical connections.

Connect neutral wire (white or center wire) to center terminal (silver).

Ground wire (green or bare wire) must be connected to green ground connector.

Connect remaining 2 supply wires to remaining 2 terminals (gold).

Securely tighten all electrical connections.

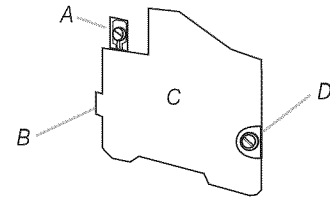
Failure to do so can result in death, fire, or electrical shock.

Direct wire cable must match power supply (4-wire or 3-wire) and be:

- Flexible armored cable or nonmetallic sheathed copper cable (with ground wire), protected with flexible metallic conduit. All current-carrying wires must be insulated.
- 10-gauge solid copper wire (do not use aluminum).
- At least 5 ft. (1.52 m) long.

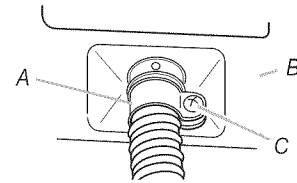
1. Disconnect power.

2. Remove hold-down screw and terminal block cover.



A. External ground conductor screw
B. Tab
C. Terminal block cover
D. Hold-down screw

3. Install $\frac{3}{4}$ " conduit connector into the hole below the terminal block opening. Connect flexible metallic conduit and tighten connector screw. Install direct wire cable through the flexible metallic conduit.

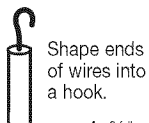
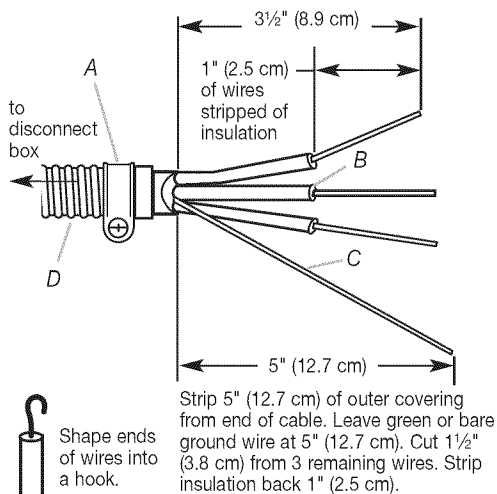


A. Conduit connector
B. Dryer cabinet
C. Connector screw

4. Complete installation following instructions for your type of electrical connection:

- Four-wire (recommended method)
- Three-wire (if four-wire is not available)

Direct Wire, Four-wire electrical connection:

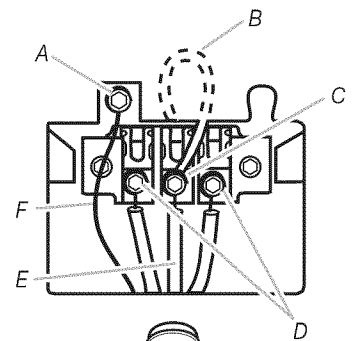


Shape ends of wires into a hook.

Strip 5" (12.7 cm) of outer covering from end of cable. Leave green or bare ground wire at 5" (12.7 cm). Cut $1\frac{1}{2}$ " (3.8 cm) from 3 remaining wires. Strip insulation back 1" (2.5 cm).

- A. $\frac{3}{4}$ " conduit connector
B. Neutral (white or center)
C. Ground wire (green or bare)
D. 10-gauge, 3 wire with ground wire in flexible metallic conduit

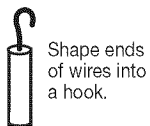
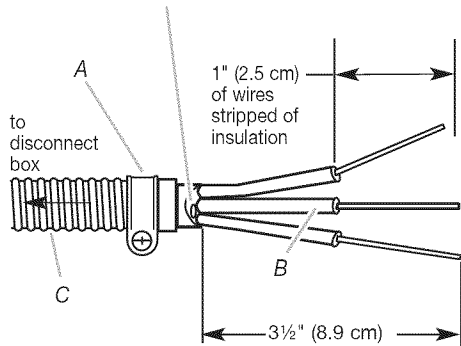
5. Remove the center terminal block screw.
6. Remove the appliance neutral ground wire from the external ground conductor screw. Fasten under center, silver-colored terminal block screw.
7. Connect the ground wire (green or bare) of the direct wire cable to the external ground conductor screw. Tighten screw.
8. Place the hooked end of the neutral wire (white or center) of the direct wire cable under the center screw of the terminal block (hook facing right). Squeeze hook end together. Tighten screw.
9. Place the hooked ends of the other direct wire cable wires under the outer terminal block screws (hook facing right). Squeeze hooked ends together. Tighten screws.
10. Insert tab of the terminal block cover into slot of the dryer rear panel. Secure cover with hold-down screw.



A. External ground conductor screw
B. Appliance neutral ground wire
C. Center terminal block screw
D. Outer terminal block screws
E. Neutral (center wire)
F. Green or bare ground wire

**Direct Wire,
Three-wire electrical connection:**

Three wire with ground wire: green or bare wire cut short. Wire is not used. Dryer is grounded through neutral conductor.



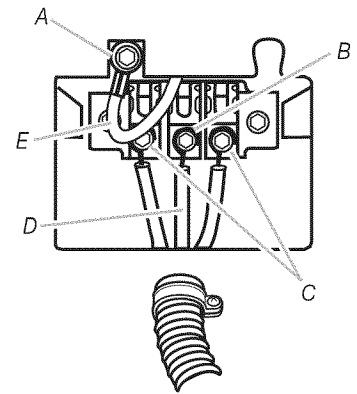
Shape ends of wires into a hook.

Strip 3 1/2" (8.9 cm) of outer covering from end of cable. Strip insulation back 1" (2.5 cm). If using 3 wire cable with ground wire, cut green or bare wire even with outer covering.

- A. 3/4" conduit connector
- B. Neutral (white or center)
- C. 10-gauge, 3 wire with ground wire in flexible metallic conduit

Use this method where local codes permit connecting neutral ground wire to neutral wire:

5. Loosen or remove the center terminal block screw.
6. Place the hooked end of the neutral wire (white or center) of the direct wire cable under the center screw of the terminal block (hook facing right). Squeeze hooked end together. Tighten screw.
7. Place the hooked ends of the other direct wire cable wires under the outer terminal block screws (hook facing right). Squeeze hooked ends together. Tighten screws.
8. Insert tab of the terminal block cover into slot of the dryer rear panel. Secure cover with hold-down screw.

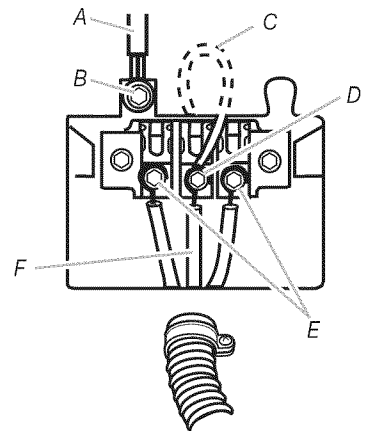


- A. External ground conductor screw
- B. Center terminal block screw
- C. Outer terminal block screws
- D. Neutral (center wire)
- E. Appliance neutral ground wire

Use this method where local codes do not permit connecting neutral ground wire to neutral wire:

5. Remove the center terminal block screw.
6. Remove the appliance neutral ground wire from the external ground conductor screw. Connect the appliance neutral ground wire and the neutral wire (white or center) of the direct wire cable under the center, silver-colored terminal block screw. Tighten screw.
7. Connect the other wires to outer terminal block screws. Tighten screws.
8. Insert tab of the terminal block cover into slot of the dryer rear panel. Secure cover with hold-down screw.
9. After reattaching the terminal cover, connect a separate copper ground wire from the external ground connector screw to an adequate ground.

If codes permit and a separate ground wire is used, it is recommended that a qualified electrician determine that the ground path is adequate.



- A. Separate copper ground wire
- B. External ground conductor screw
- C. Appliance neutral ground wire
- D. Center terminal block screw
- E. Outer terminal block screws
- F. Neutral (center wire)

Connect Vent

1. Using a 4" (10.2 cm) clamp, connect vent to exhaust outlet in dryer. If connecting to existing vent, make sure the vent is clean. The dryer vent must fit over the dryer exhaust outlet and inside the exhaust hood. Make sure the vent is secured to exhaust hood with a 4" (10.2 cm) clamp.
2. Using two or more people, move dryer to desired installation location. Do not crush or kink vent. Make sure dryer is level.

Complete Installation

1. With dryer in final position, place level on top of the dryer, first side to side; then front to back. If the dryer is not level, adjust the legs of the dryer up or down until the dryer is level.
2. Using a Torx T20 security driver, open the control panel and rest it on the bottom edge of the opening.

3. For added security between the upper dryer and the collar, insert the cotter hair pin through the connecting bolt.
4. Close the control panel.
5. Plug in dryer or reconnect power.
6. Check dryer operation.

Select a full heat cycle, let the dryer run for at least five minutes. Dryer will stop when time is used up.

NOTE: Dryer door must be closed for dryer to operate. When door is opened, dryer stops, but time continues to count down. To restart dryer, close door and reselect cycle.

7. Now start the dryer and allow it to complete a full heat cycle to make sure it is working properly.

ELECTRONIC CONTROL SETUP

See Tech Sheet for information on setup.

MAINTENANCE INSTRUCTIONS

Maintenance instructions:

- Clean lint screen after each cycle.
- Removing accumulated lint:
 - From inside the dryer cabinet:
Lint should be removed every 2 years or more often, depending on dryer usage. Cleaning should be done by a qualified person.
 - From the exhaust vent:
Lint should be removed every 2 years, or more often, depending on dryer usage.
- Keep area around dryer clear and free from combustible materials, gasoline and other flammable vapors and liquids.
- Keep dryer area clear and free from items that would obstruct the flow of combustion and ventilation air.

If dryer does not operate, check the following:

- Electrical supply is connected.
- Circuit breaker is not tripped or house fuse is not blown.
- Door is closed.
- Controls are set in a running or "ON" position.
- Cycle has been selected.
- For gas dryers, check that gas supply shutoff valves are set in open position.

If you need assistance:

The Commercial Laundry Support Center will answer any questions about operating or maintaining your dryer not covered in the Installation Instructions. Just dial 1-800 NO BELTS (1-800-662-3587) — the call is toll free.

When you call, you will need the dryer model number and serial number. Both numbers can be found on the serial-rating plate located in the dryer door well.

MAYTAG COMMERCIAL WASHER, DRYER, STACKED DRYER/ DRYER, COMMERCIAL STACK LAUNDRY, AND MULTI-LOAD COIN OPERATED COMMERCIAL WASHERS AND DRYERS WARRANTY

LIMITED WARRANTY ON PARTS

For the first five years from the date of purchase, when this commercial appliance is installed, maintained and operated according to the instructions attached to or furnished with the product, Maytag brand of Whirlpool Corporation (hereafter "Maytag") will pay for factory specified parts or original equipment manufacturer parts to correct defects in materials or workmanship. Proof of original purchase date is required to obtain service under this warranty.

ITEMS MAYTAG WILL NOT PAY FOR

1. All other costs including labor, transportation, or custom duties.
 2. Service calls to correct the installation of your commercial appliance, to instruct you how to use your commercial appliance, to replace or repair fuses, or to correct external wiring or plumbing.
 3. Repairs when your commercial appliance is used for other than normal, commercial use.
 4. Damage resulting from improper handling of product during delivery, theft, accident, alteration, misuse, abuse, fire, flood, acts of God, improper installation, installation not in accordance with local electrical or plumbing codes, or use of products not approved by Maytag.
 5. Pickup and Delivery. This commercial appliance is designed to be repaired on location.
 6. Repairs to parts or systems resulting from unauthorized modifications made to the commercial appliance.
 7. The removal and reinstallation of your commercial appliance if it is installed in an inaccessible location or is not installed in accordance with published installation instructions.
 8. Chemical damage is excluded from all warranty coverage.
 9. Changes to the building, room, or location needed in order to make the commercial appliance operate correctly.
-

DISCLAIMER OF IMPLIED WARRANTIES; LIMITATIONS OF REMEDIES

CUSTOMER'S SOLE AND EXCLUSIVE REMEDY UNDER THIS LIMITED WARRANTY SHALL BE PRODUCT REPAIR AS PROVIDED HEREIN. IMPLIED WARRANTIES, INCLUDING WARRANTIES OF MERCHANTABILITY OR FITNESS FOR A PARTICULAR PURPOSE, ARE LIMITED TO ONE YEAR OR THE SHORTEST PERIOD ALLOWED BY LAW. WHIRLPOOL SHALL NOT BE LIABLE FOR INCIDENTAL OR CONSEQUENTIAL DAMAGES. SOME STATES AND PROVINCES DO NOT ALLOW THE EXCLUSION OR LIMITATION OF INCIDENTAL OR CONSEQUENTIAL DAMAGES, OR LIMITATIONS ON THE DURATION OF IMPLIED WARRANTIES OF MERCHANTABILITY OR FITNESS, SO THESE EXCLUSIONS OR LIMITATIONS MAY NOT APPLY TO YOU. THIS WARRANTY GIVES YOU SPECIFIC LEGAL RIGHTS AND YOU MAY ALSO HAVE OTHER RIGHTS, WHICH VARY FROM STATE TO STATE OR PROVINCE TO PROVINCE.

If you need service, please contact your authorized Maytag Commercial Laundry distributor. To locate your authorized Maytag Commercial Laundry distributor, or for web inquiries, visit www.MaytagCommercialLaundry.com.

9/07

For written correspondence:

Maytag Commercial Laundry Service Department
2000 M-63 North
Benton Harbor, Michigan 49085 USA

SÉCURITÉ DE LA SÈCHEUSE

Votre sécurité et celle des autres est très importante.

Nous donnons de nombreux messages de sécurité importants dans ce manuel et sur votre appareil ménager. Assurez-vous de toujours lire tous les messages de sécurité et de vous y conformer.



Voici le symbole d'alerte de sécurité.

Ce symbole d'alerte de sécurité vous signale les dangers potentiels de décès et de blessures graves à vous et à d'autres.

Tous les messages de sécurité suivront le symbole d'alerte de sécurité et le mot "DANGER" ou "AVERTISSEMENT". Ces mots signifient :

⚠ DANGER

Risque possible de décès ou de blessure grave si vous ne suivez pas immédiatement les instructions.

⚠ AVERTISSEMENT

Risque possible de décès ou de blessure grave si vous ne suivez pas les instructions.

Tous les messages de sécurité vous diront quel est le danger potentiel et vous disent comment réduire le risque de blessure et ce qui peut se produire en cas de non-respect des instructions.

- On recommande que le propriétaire place les instructions à l'usage du client à un endroit bien visible, pour le cas où le client percevrait une odeur de gaz. Ces renseignements doivent être obtenus auprès de votre fournisseur de gaz.
- Placer l'avertissement qui suit à un endroit bien visible.

POUR VOTRE SÉCURITÉ

Ne pas entreposer ni utiliser de l'essence ou d'autres produits liquides ou gazeux inflammables à proximité de cet appareil ou de tout autre appareil électroménager.

AVERTISSEMENT : Pour votre sécurité, les renseignements dans ce manuel doivent être observés pour réduire au minimum les risques d'incendie ou d'explosion ou pour éviter des dommages au produit, des blessures ou un décès.

- Ne pas entreposer ou utiliser de l'essence ou d'autres vapeurs ou liquides inflammables à proximité de cet appareil ou de tout autre appareil électroménager.
- QUE FAIRE DANS LE CAS D'UNE ODEUR DE GAZ :
 - Ne pas tenter d'allumer un appareil.
 - Ne pas toucher à un commutateur électrique; ne pas utiliser le téléphone se trouvant sur les lieux.
 - Évacuer tous les gens de la pièce, de l'édifice ou du quartier.
 - Appeler immédiatement le fournisseur de gaz d'un téléphone voisin. Suivre ses instructions.
 - À défaut de joindre votre fournisseur de gaz, appeler les pompiers.
- L'installation et l'entretien doivent être effectués par un installateur qualifié, une agence de service ou le fournisseur de gaz.

AVERTISSEMENT : L'odorat ne permet pas toujours la détection d'une fuite de gaz.

Les distributeurs de gaz recommandent l'emploi d'un détecteur de gaz (homologation UL ou CSA).

Pour d'autre information, contacter le fournisseur de gaz local.

En cas de détection d'une fuite de gaz, exécuter les instructions "Que faire dans le cas d'une odeur de gaz".

IMPORTANTES INSTRUCTIONS DE SÉCURITÉ

AVERTISSEMENT : Pour réduire le risque d'incendie, de choc électrique ou de blessure lors de l'utilisation de la sècheuse, il convient d'observer certaines précautions élémentaires dont les suivantes :

- Lire toutes les instructions avant d'utiliser la sècheuse.
- Ne pas placer des articles exposés aux huiles de cuisson dans votre sècheuse. Les articles contaminés par des huiles de cuisson peuvent contribuer à une réaction chimique qui pourrait causer à la charge de s'enflammer.
- Ne pas faire sécher dans la machine des articles qui ont déjà été nettoyés, lavés, imbibés, ou tachés d'essence, de solvants pour nettoyage à sec, d'autres substances inflammables, ou de substances explosives puisqu'elles dégagent des vapeurs qui peuvent provoquer un incendie ou une explosion.
- Ne pas permettre à des enfants de jouer sur ou à l'intérieur de la sècheuse. Une surveillance étroite est nécessaire lorsque la sècheuse est utilisée près d'eux.
- Avant d'enlever la sècheuse du service ou la jeter, enlever la porte du compartiment de séchage.
- Ne pas mettre la main dans la sècheuse si le tambour est en mouvement.
- Ne pas installer ni entreposer la sècheuse où elle sera exposée aux intempéries.
- Ne pas jouer avec les commandes.
- Ne pas réparer ni remplacer une pièce de la sècheuse ou essayer d'en faire l'entretien à moins d'une recommandation spécifique dans le guide d'utilisation et d'entretien, ou publiée dans les instructions de réparation par l'utilisateur que vous comprenez et pouvez exécuter avec compétence.
- Ne pas utiliser un produit assouplissant de tissu ou des produits pour éliminer la statique à moins qu'ils ne soient recommandés par le fabricant du produit assouplissant de tissu ou du produit.
- Ne pas utiliser la chaleur pour faire sécher des articles fabriqués avec du caoutchouc mousse ou des matériaux semblables.
- Nettoyer le filtre à charpie avant et après chaque charge.
- Ne pas laisser la charpie, la poussière, ou la saleté s'accumuler autour du système d'évacuation ou autour de l'appareil.
- Un nettoyage périodique de l'intérieur de la sècheuse et du conduit d'évacuation doit être effectué par une personne qualifiée.
- Voir les instructions d'installation pour les exigences de liaison de l'appareil à la terre.

CONSERVEZ CES INSTRUCTIONS

IMPORTANT : L'installation du gaz doit se conformer aux codes locaux, ou en l'absence de codes locaux, au code canadien d'installation B149.1 du gaz naturel ou du propane.

La sècheuse doit être électriquement reliée à la terre conformément aux codes locaux, ou en l'absence de codes locaux, au Code canadien de l'électricité, CSA C22.1.

EXIGENCES D'INSTALLATION

Outillage et pièces

Rassembler les outils et pièces nécessaires avant de commencer l'installation. Lire et respecter les instructions d'installation fournies avec chacun des outils de cette liste.

Outillage nécessaire

- Clé à tube de 8" ou 10"
- Clé à molette de 8" ou 10"
- Tournevis à lame plate
- Tournevis Phillips
- Clé à molette avec ouverture jusqu'à 1" (2,5 cm) ou clé à douille hexagonale de 1" (25 mm)
- Tournevis de sécurité TORX® T-20
- Niveau
- Clé à douille de 5/16"
- Brides de fixation
- Composé d'étanchéité des raccords filetés - résistant au propane
- Pistolet à calfeutrage et composé de calfeutrage (pour l'installation d'un nouveau circuit d'évacuation)
- Pince
- Couteau à mastic

Pièces fournies

Retirer le sac de pièces du tambour de la sècheuse. Vérifier la présence de toutes les pièces.

- Vis cannelées de 10-32 x 5/16 po (4)
- Goupille fendue (2)

- Veiller à ce que les bords inférieurs de la caisse ainsi que l'arrière et les côtés inférieurs de la sècheuse soient exempts d'obstructions, afin de permettre le passage adéquat de l'air de combustion. Voir la section "Instructions pour l'installation dans un encastrement" pour l'espace de dégagement minimal.

REMARQUE :

- La sècheuse ne doit pas être installée en un endroit où elle serait exposée à de l'eau ou aux intempéries.
- Cette sècheuse ne doit pas être installée dans un placard muni d'une porte.

Instructions pour l'installation dans un encastrement

Cette sècheuse peut être installée dans un encastrement. Les distances de séparation minimales sont mentionnées à l'arrière de la sècheuse.

Le circuit d'évacuation de la sècheuse doit être relié à l'extérieur.

Exigences d'emplacement

AVERTISSEMENT



Risque d'explosion

Garder les matières et les vapeurs inflammables, telle que l'essence, loin de la sècheuse.

Ne pas installer dans un garage.

Le non-respect de ces instructions peut causer un décès, une explosion ou un incendie.

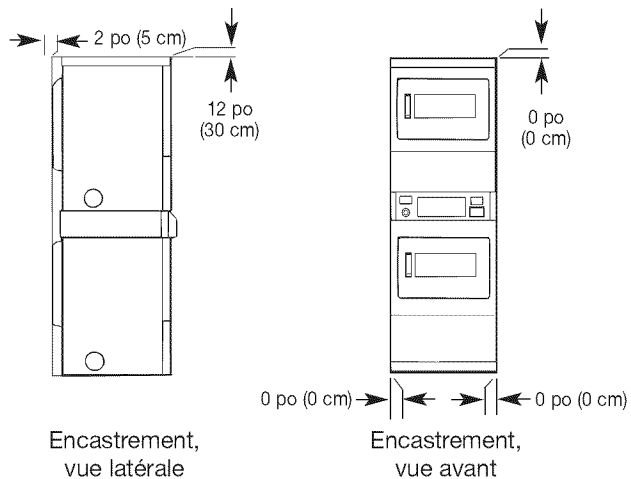
Pour l'installation d'une sècheuse à gaz :

IMPORTANT : Respecter les dispositions de tous les codes et règlements en vigueur.

- Déterminer les exigences des codes : Certains codes limitent ou prohibent l'installation d'une sècheuse dans un placard ou une chambre à coucher. Consulter l'inspecteur local des bâtiments.

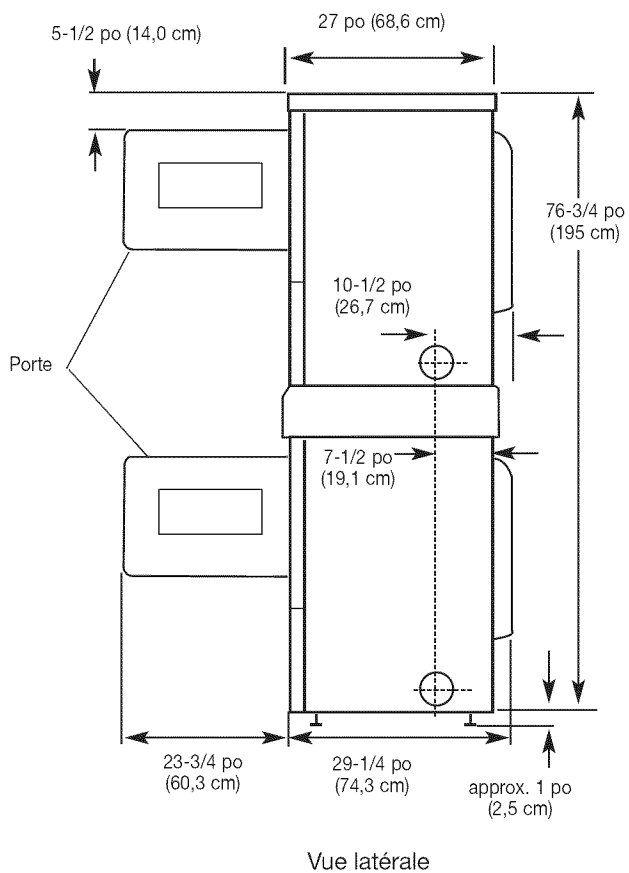
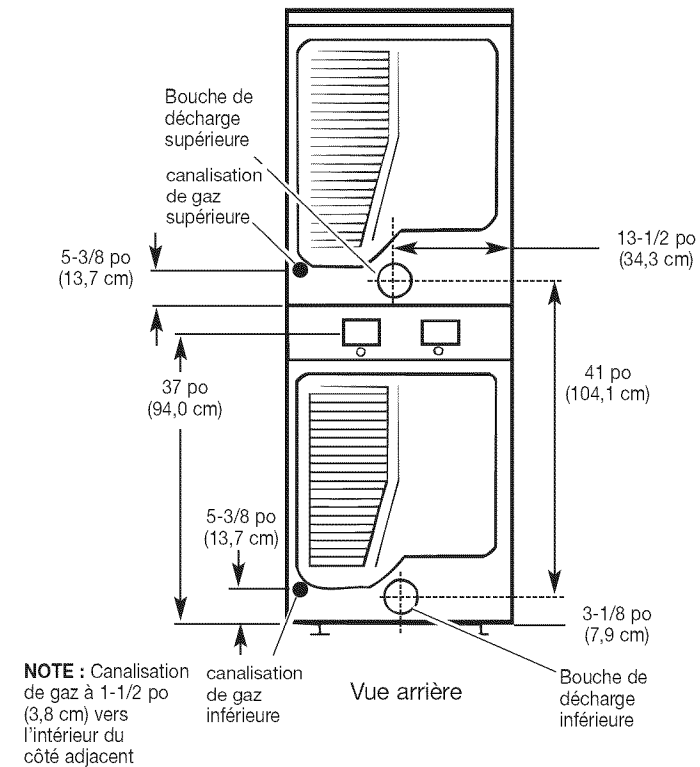
Distances de séparation minimales

	Arrière	Côtés	Dessus	Avant
Encastré	2 po (5 cm)	0 po (0 cm)	12 po (30 cm)	—



On doit prévoir un espacement additionnel pour tenir compte éventuellement des moulures du mur, de la porte et du plancher, ou si le circuit d'évacuation comporte un coude.

Dimensions du produit



⚠ AVERTISSEMENT



Risque de choc électrique

Brancher sur une prise à 3 alvéoles reliée à la terre.

Ne pas enlever la broche de liaison à la terre.

Ne pas utiliser un adaptateur.

Ne pas utiliser un câble de rallonge.

Le non-respect de ces instructions peut causer un décès, un incendie ou un choc électrique.

IMPORTANT : La sècheuse doit être électriquement reliée à la terre conformément aux prescriptions des codes et règlements locaux; en l'absence de code local, respecter les prescriptions du code national en vigueur : National Electrical Code, ANSI/NFPA 70 (édition la plus récente), ou Code canadien de l'électricité, CSA C22.1.

Si un conducteur distinct de liaison à la terre est utilisé (lorsque le code en vigueur le permet), on recommande qu'un électricien qualifié vérifie la qualité de la liaison à la terre.

On peut obtenir un exemplaire du code national en vigueur à l'adresse suivante :

National Fire Protection Association
One Batterymarch Park, Quincy, MA 02269

CSA International
8501 East Pleasant Valley Road
Cleveland, Ohio 44131-5575

- L'appareil doit être alimenté par un circuit électrique de 120 V (CA seulement), 60 Hz, protégé par un fusible de 15 A. On recommande l'emploi d'un fusible temporisé ou d'un disjoncteur. Il est également recommandé d'utiliser un circuit séparé pour la sècheuse.

Méthode recommandée de liaison à la terre

Après l'installation, la sècheuse doit être électriquement reliée à la terre conformément aux prescriptions des codes et règlements locaux; en l'absence de code local, respecter les prescriptions du code national en vigueur : National Electrical Code, ANSI/NFPA 70 (édition la plus récente), ou Code canadien de l'électricité, CSA C22.1, ainsi que celles des codes et règlements locaux.

INSTRUCTIONS DE LIAISON À LA TERRE

- Pour une sècheuse reliée à la terre et connectée par un cordon :

Cette sècheuse doit être reliée à la terre. En cas de mauvais fonctionnement ou de panne, la liaison à la terre réduira le risque de choc électrique en offrant au courant électrique un acheminement d'évacuation de moindre résistance. Cette sècheuse est alimentée par un cordon électrique comportant un conducteur relié à la terre et une fiche de branchement munie d'une broche de liaison à la terre. La fiche doit être branchée sur une prise appropriée qui est bien installée et reliée à la terre conformément à tous les codes et règlements locaux.

AVERTISSEMENT : Le raccordement incorrect de cet appareil au conducteur de liaison à la terre peut susciter un risque de choc électrique. En cas de doute quant à la qualité de liaison à la terre de la sècheuse, consulter un électricien ou un technicien ou un personnel qualifié. Ne pas modifier la fiche de branchement fournie avec la sècheuse; si la fiche ne correspond pas à la configuration de la prise de courant, demander à un électricien qualifié d'installer une prise de courant appropriée.

CONSERVEZ CES INSTRUCTIONS

Spécifications électriques — sècheuse électrique (É.-U. uniquement)

IMPORTANT : La sècheuse doit être électriquement reliée à la terre conformément aux prescriptions des codes et règlements locaux; en l'absence de code local, respecter les prescriptions du code national en vigueur : National Electrical Code, ANSI/NFPA 70 (édition la plus récente), ou Code canadien de l'électricité, CSA C22.1.

Le National Electrical Code exige une alimentation électrique à 4 conducteurs pour les maisons construites après 1996, les circuits de sècheuse concernés par le remodelage après 1996, et toutes les installations de maisons mobiles.

Si un conducteur distinct de liaison à la terre est utilisé (lorsque le code en vigueur le permet), on recommande qu'un électricien qualifié vérifie la qualité de la liaison à la terre.

On peut obtenir un exemplaire du code national en vigueur à l'adresse suivante :

National Fire Protection Association
One Batterymarch Park, Quincy, MA 02269

CSA International
8501 East Pleasant Valley Road
Cleveland, Ohio 44131-5575

- Aux É.-U. : L'appareil doit être alimenté par un circuit indépendant monophasé à quatre conducteurs ou trois conducteurs, 120/240 V, 60 Hz, CA seulement (ou un circuit 120/208 V à trois ou quatre conducteurs si ceci est spécifié sur la plaque signalétique); chaque conducteur de phase du circuit doit être protégé par un fusible 30 A; on recommande l'emploi de disjoncteurs ou de fusibles temporisés.
- Au Canada : L'appareil doit être alimenté par un circuit indépendant monophasé à quatre conducteurs, 115/230 V, 60 Hz; chaque conducteur de phase du circuit doit être protégé par un fusible 30 A; on recommande l'emploi de disjoncteurs ou fusibles temporisés.

Méthode recommandée de liaison à la terre

- Aux É.-U. : C'est au client qu'incombe la responsabilité de contacter un électricien qualifié qui pourra déterminer si l'installation électrique est adéquate et conforme aux prescriptions du National Electrical Code, ANSI/NFPA 70 (édition la plus récente) et à tous les codes et règlements locaux en vigueur.
- Au Canada : C'est au client qu'incombe la responsabilité d'installer la sécheuse conformément aux prescriptions de la norme CSA C22.1 (Code canadien de l'électricité), aux codes d'installation et à tous les codes nationaux et locaux applicables.

Les modèles vendus au Canada sont équipés d'un cordon d'alimentation flexible à quatre conducteurs (30 A). La fiche du cordon d'alimentation doit être branchée sur une prise de courant 30 A de même configuration.

INSTRUCTIONS DE LIAISON À LA TERRE

- Pour une sécheuse reliée à la terre et connectée par un cordon :
Cette sécheuse doit être reliée à la terre. En cas de mauvais fonctionnement ou de panne, la liaison à la terre réduira le risque de choc électrique en offrant au courant électrique un acheminement d'évacuation de moindre résistance. Cette sécheuse est alimentée par un cordon électrique comportant un conducteur relié à la terre et une fiche de branchement munie d'une broche de liaison à la terre. La fiche doit être branchée sur une prise appropriée qui est bien installée et reliée à la terre conformément à tous les codes et règlements locaux.
- Pour une sécheuse raccordée en permanence :
Cette sécheuse doit être raccordée à un système de câblage permanent en métal relié à la terre ou un conducteur relié à la terre doit être en fonction avec les conducteurs de circuit et raccordé à la borne de liaison à la terre ou la borne sur la sécheuse.

AVERTISSEMENT : Le raccordement incorrect de cet appareil au conducteur de liaison à la terre peut susciter un risque de choc électrique. En cas de doute quant à la qualité de liaison à la terre de la sécheuse, consulter un électricien ou un technicien ou un personnel qualifié. Ne pas modifier la fiche de branchement fournie avec la sécheuse; si la fiche ne correspond pas à la configuration de la prise de courant, demander à un électricien qualifié d'installer une prise de courant appropriée.

CONSERVEZ CES INSTRUCTIONS

⚠ AVERTISSEMENT



Risque d'explosion

Utiliser une canalisation neuve d'arrivée de gaz approuvée par la CSA International.

Installer un robinet d'arrêt.

Bien serrer chaque organe de connexion de la canalisation de gaz.

En cas de connexion au gaz propane, demander à une personne qualifiée de s'assurer que la pression de gaz ne dépasse pas 36 cm (14 po) de la colonne d'eau.

Par personne qualifiée, on comprend :

le personnel autorisé de chauffage, le personnel autorisé d'une compagnie de gaz, et le personnel d'entretien autorisé.

Le non-respect de ces instructions peut causer un décès, une explosion ou un incendie.

IMPORTANT : Respecter les dispositions de tous les codes et règlements en vigueur.

L'installation doit satisfaire aux critères de tous les codes et règlements locaux. En l'absence de code local, l'installation doit satisfaire aux prescriptions du National Fuel Gas Code ANSI Z223.1/NFPA 54 (American National Standard) ou CAN/CSA B149.

On peut obtenir un exemplaire du code national en vigueur à l'adresse suivante :

National Fire Protection Association
One Batterymarch Park, Quincy, MA 02269

CSA International
8501 East Pleasant Valley Road
Cleveland, Ohio 44131-5575

La conception de cette sécheuse a été homologuée par CSA International pour l'utilisation jusqu'à une altitude de 10 000 pi (3048 m) au-dessus du niveau de la mer, pour le débit thermique indiqué sur la plaque signalétique. Aucun réglage du brûleur n'est nécessaire lorsque la sécheuse est utilisée à une altitude inférieure à cette valeur maximale.

Si la sécheuse doit être utilisée à une altitude supérieure à 10 000 pi (3048 m), on doit réduire de 4 % le débit thermique du brûleur indiqué sur la plaque signalétique pour chaque tranche de 1000 pi (305 m) d'augmentation de l'altitude. Consulter votre compagnie de service locale pour obtenir de l'aide lors de la conversion à d'autres types de gaz et/ou de l'installation de la sécheuse à une altitude supérieure à 10 000 pi (3048 m).

Type de gaz

La sécheuse est équipée pour l'alimentation au gaz naturel. Elle est homologuée par CSA International pour l'alimentation avec des gaz de pétrole liquéfiés (propane et butane), après conversion appropriée. Ne pas entreprendre de convertir l'appareil pour l'utilisation d'un gaz différent de celui indiqué sur la plaque signalétique sans d'abord consulter le fournisseur de gaz. Un technicien qualifié doit effectuer la conversion. Les numéros des pièces nécessaires pour la conversion sont mentionnés sur la base de la valve du brûleur.

Canalisation de gaz

Méthode recommandée

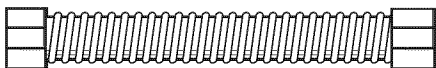
- Installer une canalisation de gaz rigide de 1/2" (IPS) jusqu'à l'emplacement d'installation de la sécheuse. On doit utiliser un composé d'étanchéité des tuyauteries résistant à l'action du gaz de pétrole liquéfié. Ne pas utiliser de ruban TEFLON[†]. Pour l'alimentation au propane, le diamètre des canalisations doit être de 1/2" (IPS) ou plus. Usuellement le fournisseur de gaz propane détermine les matériaux à utiliser et le diamètre approprié.

Autre méthode

- La canalisation de gaz peut également être connectée au moyen d'un tube homologué en aluminium ou en cuivre de 3/8". Si la longueur totale de la canalisation de gaz excède 20 pi (6,1 m), un tuyau de plus gros diamètre sera nécessaire. Dans le cas de l'alimentation au gaz naturel, ne pas utiliser de tuyau en cuivre. Assurer l'étanchéité des connexions avec un composé d'étanchéité résistant au propane.

Connecteur en métal souple pour appareil ménager :

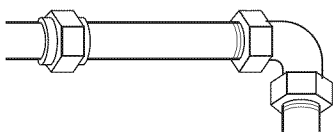
- Il est recommandé d'utiliser une canalisation en acier inoxydable souple et neuve, conception homologuée par CSA International, pour raccorder la sécheuse à la conduite d'alimentation en gaz. (La canalisation d'arrivée de gaz sortant à l'arrière/le bas de la sécheuse est dotée d'un filetage mâle de 3/8").



- Ne pas déformer ni endommager la canalisation de gaz en acier inoxydable souple lorsque vous déplacez la sécheuse.

Connexion du tuyau rigide :

La connexion du tuyau rigide nécessite une combinaison de raccords pour obtenir une connexion de la sécheuse en ligne.

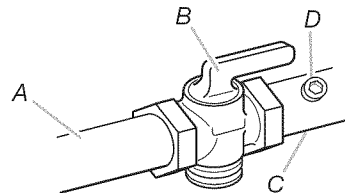


- Robinet d'arrêt nécessaire :

Conformément aux prescriptions du National Fuel Gas Code, ANSI Z223.1 aux É.-U., on doit installer un robinet d'arrêt manuel sur la canalisation d'alimentation, à moins de 6 pi (1,8 m) de la sécheuse. Au Canada, le robinet d'arrêt manuel doit être installé conformément aux prescriptions des codes d'installation B149 – CAN/CGA B149.1 et CAN/CGA B149.2. Le robinet d'arrêt doit être situé dans la même pièce que la

sécheuse. Il doit se trouver à un emplacement qui permet une ouverture et une fermeture faciles. Ne pas bloquer l'accès au robinet d'arrêt. Le robinet est destiné à alimenter/couper l'alimentation en gaz de la sécheuse.

- A. Canalisation d'arrivée de gaz
- B. Robinet d'arrêt - position d'ouverture
- C. Vers la sécheuse
- D. Raccord de 1/8" NPT minimal



- Installation dans un espace confiné :

Si la sécheuse est installée dans un espace réduit comme une salle de bain ou un placard, on doit prévoir une arrivée d'air appropriée pour la combustion et la ventilation. Consulter les codes et règlements en vigueur, ou voir "Instructions pour l'installation dans un encastrement ou un placard" de la section "Exigences d'emplacement".

Tests de pressurisation de la canalisation de gaz

Un raccord de 1/8," NPT minimal, accessible pour le raccordement d'un manomètre de test, doit être installé immédiatement en amont du robinet d'arrêt de gaz de la sécheuse.

Lors de tout test de pressurisation du système à une pression de test supérieure à 1/2 lb/po² rel., la sécheuse doit être déconnectée de la canalisation d'arrivée de gaz.

Exigences concernant l'évacuation

⚠ AVERTISSEMENT



Risque d'incendie

Utiliser un conduit d'évacuation en métal lourd.

Ne pas utiliser un conduit d'évacuation en plastique.

Ne pas utiliser un conduit d'évacuation en feuille de métal.

Le non-respect de ces instructions peut causer un décès ou un incendie.

AVERTISSEMENT : Pour réduire le risque d'incendie, cette sécheuse DOIT ÉVACUER L'AIR À L'EXTÉRIEUR.

- L'évent de la sécheuse ne doit pas être connecté à un conduit d'évacuation de gaz, une cheminée, un mur, un plafond, ou un vide de construction.
- Ne pas utiliser un clapet d'évacuation à fermeture magnétique.
- Ne pas installer le conduit métallique flexible dans les cavités fermées des murs, plafonds, ou planchers.

†@TEFLON est une marque déposée de E.I. Du Pont De Nemours et Compagnie.

- Utiliser un conduit d'évacuation en métal lourd de 4" (10,2 cm) et des brides de fixation.
- Utiliser des brides de fixation pour sceller tous les joints. L'évent ne doit pas être connecté ou fixé à la sècheuse avec des vis. Ne pas utiliser de ruban adhésif en toile.

IMPORTANT : Respecter les dispositions de tous les codes et règlements en vigueur.

Utiliser un conduit d'évacuation en métal lourd. Ne pas utiliser un conduit de plastique ou en feuille métallique.

On recommande d'utiliser un conduit métallique rigide pour réduire les risques d'écrasement et de déformation.

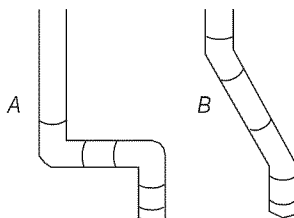
Un conduit métallique flexible doit être totalement déployé et soutenu lorsque la sècheuse est à sa position finale. Enlever tout excès de conduit flexible pour éviter tout affaissement/déformation susceptible de réduire le débit d'air et le rendement de la sècheuse.

Terminer le conduit d'évacuation par un clapet de décharge pour empêcher les rongeurs et insectes d'entrer dans l'habitation ou l'entreprise.

Le clapet de décharge doit être situé à au moins 12" (30,5 cm) au-dessus du sol ou de tout autre objet susceptible de se trouver sur le trajet de l'air humide rejeté (par exemple, fleurs, roches ou arbustes).

Lors de l'utilisation d'un circuit d'évacuation existant, nettoyer la charpie sur toute la longueur du système et veiller à ce que la bouche de décharge ne soit pas obstruée par une accumulation de charpie. Remplacer tout conduit de plastique ou de feuille métallique mince par un conduit métallique flexible ou rigide.

Planifier l'installation pour introduire le nombre minimal de coudes et de changements de direction.



Débit d'évacuation

A. Bon débit d'évacuation

B. Meilleur débit d'évacuation

Si des coudes sont utilisés ou des changements de direction effectués, prévoir autant d'espace que possible. Plier le conduit graduellement pour éviter de le déformer.

La bouche de sortie est située à l'arrière de la sècheuse, en bas/au centre.

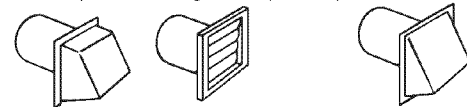
On peut acheminer le conduit d'évacuation par le haut, par le bas, par la gauche, par la droite, derrière la sècheuse, ou en ligne droite depuis l'arrière de la sècheuse.

Longueur du circuit d'évacuation

La longueur maximale du circuit d'évacuation dépend du type de conduit utilisé, du nombre de coudes, et du type de bouche de décharge. La longueur maximale pour le circuit de conduit rigide est indiquée dans le tableau ci-après.

Longueur maximale du conduit

Clapet de décharge de 4" (10,2 cm) de diamètre



Conduit métallique rigide

Nombre d'angles à 90°	Clapets de type boîte et à persiennes	Clapet incliné
0	130 pi (39,6 m)	129 pi (39,3 m)
1	125 pi (38,1 m)	119 pi (36,3 m)
2	115 pi (35,1 m)	109 pi (33,2 m)
3	106 pi (32,3 m)	100 pi (30,5 m)
4	98 pi (29,9 m)	92 pi (28,0 m)

Pour un circuit d'évacuation qui n'est pas couvert par le tableau, consulter votre marchand de pièces.

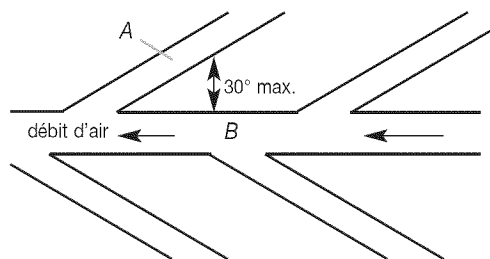
Si la sècheuse est installée dans un espace réduit tel qu'une chambre à coucher ou une salle de bain, on doit prévoir une arrivée d'air en quantité suffisante pour la combustion et la ventilation. (Consulter les codes et règlements en vigueur.) Voir "Instructions pour l'installation dans un encastrement" de la section "Exigences d'emplacement".

Évacuation multiple de la sècheuse

- Un conduit d'évacuation principal peut être utilisé pour un groupe de sècheuses. Le conduit d'évacuation principal devrait être d'un diamètre suffisant pour évacuer 200 pi³/min d'air par sècheuse. Des filtres à charpie de forte capacité et de conception adéquate peuvent être utilisés dans le conduit principal d'évacuation s'ils sont inspectés et nettoyés fréquemment. La pièce où se trouvent les sècheuses devrait recevoir un apport d'air de débit égal ou supérieur au débit total (pi³/min) de toutes les sècheuses installées dans la pièce.
- Des ensembles antirefoulement, n° de pièce 3391910, sont disponibles chez votre marchand et devraient être installés dans le conduit d'évacuation de chaque sècheuse pour empêcher l'air évacué de retourner dans les sècheuses et pour maintenir une pression équilibrée dans le conduit principal d'évacuation. Des orifices de passage d'air non obstrués sont requis.

Chaque conduit d'évacuation devrait pénétrer dans le conduit principal à un angle pointant dans la direction du débit d'air. Les conduits raccordés au conduit principal de part et d'autre devraient être disposés en quinconce pour que l'air évacué par une sècheuse ne puisse perturber l'évacuation d'une autre sècheuse.

L'angle maximal entre le conduit connecté à une sècheuse et le conduit principal ne devrait pas dépasser 30°.

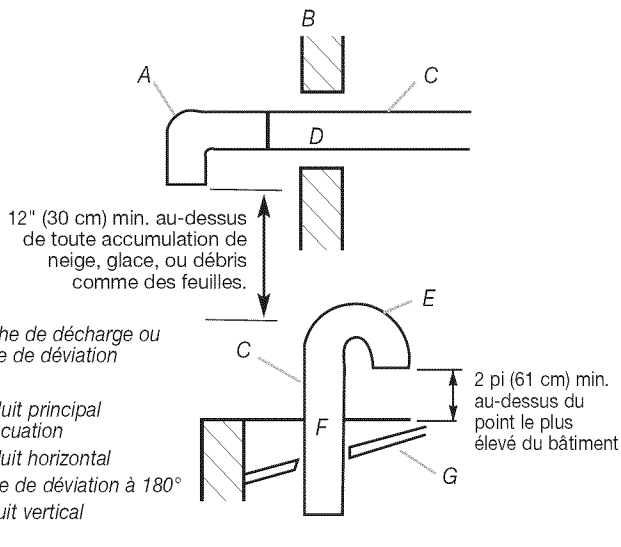


A. Conduit d'évacuation individuel de la sècheuse
B. Conduit principal d'évacuation

Faire en sorte que les vapeurs générées par les liquides de nettoyage à sec ne puissent pas atteindre les orifices d'entrée d'air; ces vapeurs créent des composés acides qui, lorsqu'ils sont attirés vers les unités de chauffage des sècheuses, peuvent endommager les sècheuses et le linge en cours de séchage.

Une bouche de nettoyage devrait être installée dans le conduit principal d'évacuation pour les nettoyages périodiques du système d'évacuation.

Si une bouche de décharge ne peut être utilisée :



A. Bouche de décharge ou coude de déviation
B. Mur
C. Conduit principal d'évacuation
D. Conduit horizontal
E. Coude de déviation à 180°
F. Conduit vertical
G. Toit

L'extrémité extérieure du conduit principal devrait être munie d'un coude de déviation dirigé vers le bas. Si le conduit principal suit une trajectoire verticale à travers le toit, plutôt qu'à travers le mur, installer un coude de déviation de 180° à l'extrémité du conduit et dépassant d'au moins 2 pi (61 cm) au-dessus de la partie la plus élevée du bâtiment. L'ouverture murale ou dans le toit doit avoir un diamètre supérieur de 1/2" (1,3 cm) à celui du conduit d'évacuation. Le conduit d'évacuation devrait être centré dans l'ouverture.

Ne pas installer une grille ou un couvercle à l'extrémité du conduit d'évacuation.

INSTRUCTIONS D'INSTALLATION - SÈCHEUSE À GAZ

Raccordement à la canalisation de gaz

AVERTISSEMENT

Risque du poids excessif

Utiliser deux ou plus de personnes pour déplacer et installer la sècheuse.

Le non-respect de cette instruction peut causer une blessure au dos ou d'autre blessure.

1. Retirer le capuchon rouge de la canalisation de gaz.
2. Raccorder la canalisation de gaz à la sècheuse. Utiliser un composé d'étanchéité compatible avec le gaz propane. Si un conduit métallique flexible est utilisé, vérifier qu'il n'est pas déformé.
Si cela est nécessaire à l'entretien, ouvrir le panneau de plinthe. Utiliser un couteau à mastic pour appuyer sur le verrou du panneau de plinthe situé dans les coins supérieures du panneau de plinthe. Tirer le panneau de plinthe vers le bas pour l'ouvrir. Le panneau de plinthe est fixé à la partie inférieure.
3. Ouvrir le robinet d'arrêt de la canalisation d'arrivée de gaz.
4. Vérifier tous les raccords en les badigeonnant d'une solution de détection des fuites non corrosive approuvée. L'apparition de bulles indique une fuite. Réparer toute fuite éventuelle.

Raccordement du conduit d'évacuation

1. À l'aide d'une bride de fixation de 4" (10,2 cm), relier le conduit d'évacuation à la bouche d'évacuation de la sècheuse. Si on utilise le conduit d'évacuation existant, s'assurer qu'il est propre. Le conduit d'évacuation de la sècheuse doit être fixé sur la bouche d'évacuation de la sècheuse et dans le clapet d'évacuation. S'assurer que le conduit d'évacuation est fixé au clapet d'évacuation à l'aide d'une bride de fixation de 4" (10,2 cm).
2. Avec l'aide d'au moins deux autres personnes, déplacer la sècheuse à l'emplacement final désiré. Ne pas écraser ni déformer le conduit d'évacuation. Vérifier que la sècheuse est de niveau.
3. Vérifier que la canalisation souple de gaz n'est pas déformée.

Achever l'installation

1. Une fois la sècheuse à son emplacement final, placer un niveau sur le sommet de la sècheuse, transversalement, puis dans le sens avant arrière. Si la sècheuse n'est pas d'aplomb, ajuster les pieds pour modifier la hauteur et établir un bon aplomb de la sècheuse.

AVERTISSEMENT



Risque de choc électrique

Brancher sur une prise à 3 alvéoles reliée à la terre.

Ne pas enlever la broche de liaison à la terre.

Ne pas utiliser un adaptateur.

Ne pas utiliser un câble de rallonge.

Le non-respect de ces instructions peut causer un décès, un incendie ou un choc électrique.

2. À l'aide d'un tournevis de sécurité Torx T20, ouvrir le tableau de commande et le faire reposer sur le bord inférieur de l'ouverture.
3. Pour plus de sécurité entre la partie supérieure de la sècheuse et la bague, insérer l'épingle à goupille fendue dans le boulon d'assemblage.
4. Fermer le tableau de commande.
5. Brancher sur une prise à 3 alvéoles reliée à la terre.
6. Contrôler le bon fonctionnement de la sècheuse:
Sélectionner un programme complet avec chaleur, laisser la sècheuse fonctionner pendant au moins cinq minutes. Elle s'arrête lorsque la durée est écoulée.
REMARQUE : La porte de la sècheuse doit être fermée pour que l'appareil fonctionne. Lorsque la porte est ouverte, la sècheuse s'arrête, mais le compte à rebours de la durée se poursuit. Pour remettre la sècheuse en marche, fermer la porte et resélectionner un programme.
7. Si on ne perçoit aucune chaleur à l'intérieur de la sècheuse et si le brûleur ne s'allume pas, arrêter la sècheuse pendant cinq minutes. Vérifier que tous les robinets de la canalisation d'alimentation sont ouverts et que le cordon d'alimentation électrique est branché. Répéter le test de cinq minutes de fonctionnement.

INSTRUCTIONS D'INSTALLATION - SÈCHEUSE ÉLECTRIQUE

Raccordement électrique

AVERTISSEMENT

Risque du poids excessif

Utiliser deux ou plus de personnes pour déplacer et installer la sècheuse.

Le non-respect de cette instruction peut causer une blessure au dos ou d'autre blessure.

nouvelle installation avec alimentation par un circuit secondaire, (2) résidence mobile, (3) véhicule récréatif et (4) juridictions dans lesquelles les codes locaux interdisent la liaison à la terre par l'intermédiaire des conducteurs neutres.

AVERTISSEMENT



Risque d'incendie

Utiliser un cordon d'alimentation électrique neuf homologué UL de 30 ampères.

Utiliser un réducteur de tension homologué UL.

Déconnecter la source de courant électrique avant de réaliser les connexions électriques.

Connecter le conducteur neutre (blanc ou conducteur central) à la borne centrale (argent).

Le conducteur de liaison à la terre (vert ou nu) doit être relié au connecteur vert de liaison à la terre.

Connecter les 2 conducteurs d'alimentation restants aux 2 bornes (or) restantes.

Bien serrer chaque organe de connexion du branchement électrique.

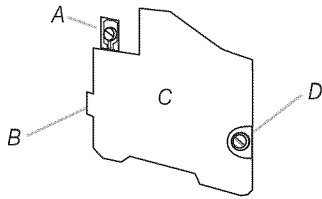
Le non-respect de cette instruction peut causer un décès, un incendie ou un choc électrique.

Méthode du cordon d'alimentation – É.-U. seulement

- Cette sècheuse a été fabriquée de manière à pouvoir être raccordée directement à un câble d'alimentation électrique à trois fils. Le conducteur neutre de liaison à la terre est raccordé de manière permanente au conducteur neutre (fil blanc), dans la sècheuse. Si la sècheuse doit être raccordée à un câble d'alimentation à quatre fils, le conducteur neutre de liaison à la terre doit être séparé du conducteur de liaison à la terre extérieur (vis verte) et fixé sous la borne neutre (fil central ou blanc) du bloc de raccordement. Une fois le conducteur neutre de liaison à la terre fixé sous la borne neutre (fil central ou blanc) du bloc de raccordement, la caisse de la sècheuse est isolée du conducteur neutre.
- Si les codes locaux ne permettent pas la connexion d'un fil neutre de liaison à la terre au fil neutre, voir la section "Mode de connexion facultatif – prise de courant à trois conducteurs".
- Il importe d'utiliser un mode de connexion à quatre fils lorsque l'appareil ménager est installé dans une juridiction où il est interdit de relier l'appareil à la terre par l'intermédiaire du conducteur neutre. Il est interdit de relier l'appareil à la terre par l'intermédiaire du conducteur neutre dans les cas suivants : (1)

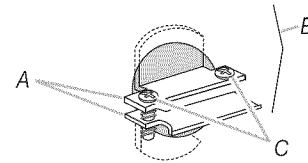
1. Déconnecter la source de courant électrique.

2. Ôter la vis de retenue et le couvercle du bloc de connexion.



- A. Vis pour conducteur externe de liaison à la terre
- B. Onglet
- C. Couvercle du bloc de connexion
- D. Vis de retenue

pour que les deux parties du serre-câble soient maintenues ensemble. Faire passer le câble d'alimentation entre les deux plaquettes.



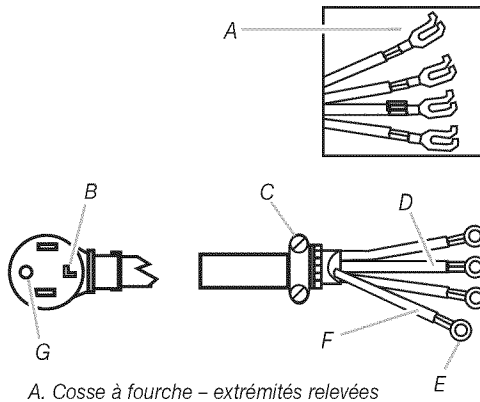
- A. Sections du serre-câble
- B. Caisse de la sècheuse
- C. Vis du serre-câble

3. Installer un serre-câble de 3/4" (agrément UL, avec marque sur le serre-câble) dans le trou situé au-dessous de l'ouverture du bloc de connexion. Serrer les vis du serre-câble juste assez

4. Exécuter les instructions d'installation qui suivent, selon le type de raccordement :

- Quatre conducteurs (méthode recommandée)
- Trois conducteurs (si un circuit à quatre conducteurs n'est pas disponible)

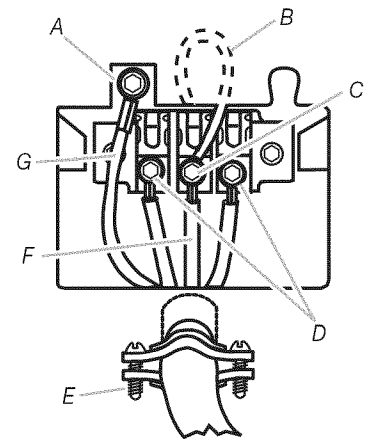
Cordon d'alimentation, prise de courant à quatre conducteurs :



- A. Cosse à fourche – extrémités relevées
- B. Broche neutre
- C. Serre-câble de 3/4" (agrément UL)
- D. Conducteur neutre (blanc)
- E. Cosses annulaires
- F. Conducteur de liaison à la terre
- G. Broche de liaison à la terre

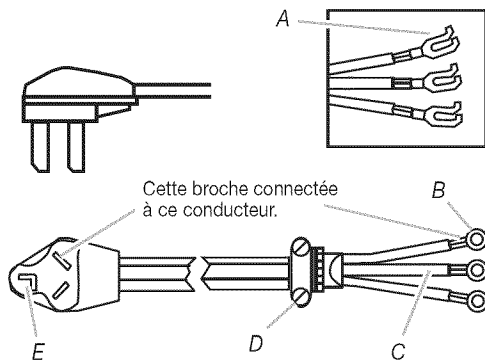
Le cordon d'alimentation à quatre conducteurs doit comporter quatre conducteurs de cuivre N° 10, et on doit disposer d'une prise de courant à quatre alvéoles de type NEMA 14-30R. Le quatrième conducteur (liaison à la terre) doit être identifié par un isolant vert et le conducteur neutre par un isolant blanc.

5. Ôter la vis de la borne centrale du bloc de connexion.
6. Détacher le conducteur de liaison à la terre de l'appareil de la vis de connexion du conducteur externe de liaison à la terre. Connecter ce conducteur sous la vis centrale de teinte argent du bloc de connexion.
7. Connecter le conducteur de liaison à la terre du cordon d'alimentation à la vis de connexion du conducteur externe de liaison à la terre. Serrer la vis.
8. Connecter le conducteur neutre (blanc ou central) du cordon d'alimentation sous la vis de la borne centrale du bloc de connexion. Serrer la vis.
9. Connecter les autres conducteurs sur les bornes externes du bloc de connexion. Serrer les vis.
10. Serrer les vis du serre-câble.
11. Insérer l'onglet du couvercle du bloc de connexion dans la fente du panneau arrière de la sècheuse. Immobiliser le couvercle avec la vis de retenue.



- A. Vis pour conducteur externe de liaison à la terre
- B. Conducteur de liaison à la terre de l'appareil
- C. Vis centrale du bloc de connexion
- D. Vis externes du bloc de connexion
- E. Vis du serre-câble
- F. Conducteur neutre (conducteur central)
- G. Conducteur de liaison à la terre

Cordon d'alimentation, prise de courant à trois conducteurs :

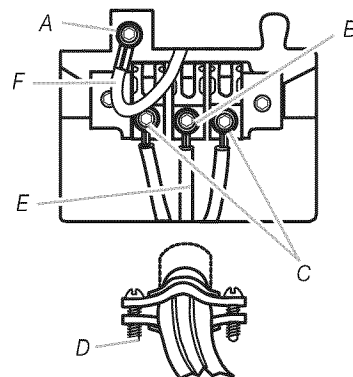


- A. Crosse à fourche – extrémités relevées
- B. Cosses annulaires
- C. Conducteur neutre (blanc ou central)
- D. Serre-câble de 3/4" (agrément UL)
- E. Broche neutre

Le cordon d'alimentation à trois conducteurs doit comporter trois conducteurs de cuivre N° 10, et on doit disposer d'une prise de courant à trois alvéoles de type NEMA 10-30R.

Lorsque le code local permet le raccordement entre conducteur neutre et conducteur de liaison à la terre de la caisse :

5. Desserrer ou enlever la vis de la borne centrale du bloc de connexion.
6. Connecter le conducteur neutre (blanc ou central) du cordon d'alimentation sur la borne centrale (vis de teinte argent) du bloc de connexion. Serrer la vis.
7. Connecter les autres conducteurs sur les bornes externes du bloc de connexion. Serrer les vis.
8. Serrer les vis du serre-câble.
9. Insérer l'onglet du couvercle du bloc de connexion dans la fente du panneau arrière de la sècheuse. Immobiliser le couvercle avec la vis de retenue.

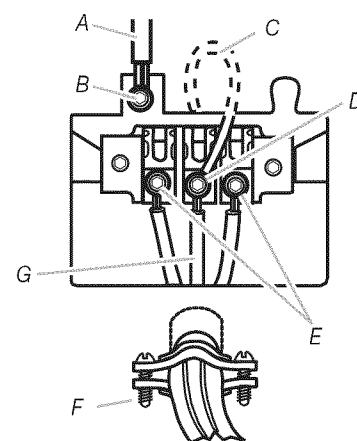


- A. Vis pour conducteur externe de liaison à la terre
- B. Vis centrale du bloc de connexion
- C. Vis externes du bloc de connexion
- D. Vis du serre-câble
- E. Conducteur neutre (conducteur central)
- F. Conducteur de liaison à la terre de l'appareil

Si les codes locaux ne permettent pas le raccordement entre conducteur neutre et conducteur de liaison à la terre de la caisse :

5. Ôter la vis de la borne centrale du bloc de connexion.
6. Détacher le conducteur de liaison à la terre de l'appareil de la vis de connexion du conducteur externe de liaison à la terre. Connecter le conducteur de liaison à la terre et le conducteur neutre (conducteur blanc ou central) du cordon d'alimentation de l'appareil, sous la vis centrale (argent) du bloc de connexion. Serrer la vis.
7. Connecter les autres conducteurs sur les bornes externes du bloc de connexion. Serrer les vis.
8. Serrer les vis du serre-câble.
9. Insérer l'onglet du couvercle du bloc de connexion dans la fente du panneau arrière de la sècheuse. Immobiliser le couvercle avec la vis de retenue.
10. Après avoir réinstallé le couvercle du bloc de connexion, installer un conducteur de liaison (cuivre) distinct entre la vis destinée à un conducteur externe de liaison à la terre et un point adéquat de liaison à la terre.

Si les codes permettent l'emploi d'un conducteur distinct de liaison à la terre, on recommande qu'un électricien qualifié vérifie la qualité de la liaison à la terre.



- A. Conducteur distinct de liaison à la terre, en cuivre
- B. Vis pour conducteur externe de liaison à la terre
- C. Conducteur de liaison à la terre de l'appareil
- D. Vis centrale du bloc de connexion
- E. Vis externes du bloc de connexion
- F. Vis du serre-câble
- G. Conducteur neutre (conducteur central)

Méthode de câblage direct – É.-U. seulement

⚠ AVERTISSEMENT



Risque d'incendie

Utiliser du fil en cuivre solide de calibre 10.

Utiliser un réducteur de tension homologué UL.

Déconnecter la source de courant électrique avant de réaliser les connexions électriques.

Connecter le conducteur neutre (blanc ou conducteur central) à la borne centrale (argent).

Le conducteur de liaison à la terre (vert ou nu) doit être relié au connecteur vert de liaison à la terre.

Connecter les 2 conducteurs d'alimentation restants aux 2 bornes (or) restantes.

Bien serrer chaque organe de connexion du branchement électrique.

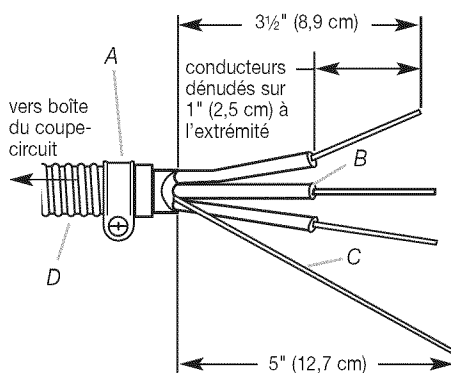
Le non-respect de cette instruction peut causer un décès, un incendie ou un choc électrique.

La configuration du câble d'alimentation par câblage direct doit correspondre à celle de la source d'électricité (4 conducteurs ou 3 conducteurs).

Le câble doit être comme suit :

- Câble blindé flexible ou câble à conducteur de cuivre et gaine non métallique (avec conducteur de liaison à la terre) protégé par un conduit métallique flexible. Chaque conducteur donnant lieu au passage d'un courant doit être isolé.

Câblage direct, prise de courant à quatre conducteurs :

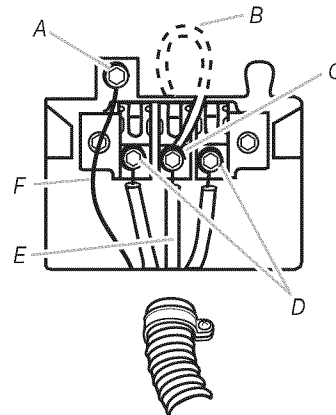


Former un crochet à l'extrémité de chaque conducteur.

Enlever 5" (12,7 cm) de la gaine externe à l'extrémité du câble. Conserver la longueur de 5" (12,7 cm) du conducteur vert ou nu de liaison à la terre. Pour les 3 autres conducteurs, couper une section de 1 1/2" (3,8 cm) à l'extrémité. Dénuder ensuite chaque conducteur sur 1" (2,5 cm).

- A. Connecteur de conduit de 3/4"
- B. Conducteur neutre (blanc ou central)
- C. Conducteur (vert ou nu) de liaison à la terre
- D. Câble à 3 conducteurs de calibre 10 avec conducteur de liaison à la terre en conduit métallique flexible

5. Ôter la vis de la borne centrale du bloc de connexion.
6. Détacher le conducteur de liaison à la terre de l'appareil de la vis de connexion du conducteur externe de liaison à la terre. Connecter ce conducteur sous la vis centrale de teinte argent du bloc de connexion.
7. Connecter le conducteur de liaison à la terre (vert ou nu) du câble d'alimentation par câblage direct à la vis de connexion du conducteur externe de liaison à la terre. Serrer la vis.
8. Placer l'extrémité formée en crochet du conducteur neutre (blanc ou central) du câble d'alimentation par câblage direct sous la vis de la borne centrale du bloc de connexion (crochet orienté vers la droite). Serrer le crochet sur la vis, puis serrer la vis.
9. Placer l'extrémité en crochet des autres conducteurs d'alimentation par câblage direct sous les vis externes des bornes du bloc de connexion (crochet orienté vers la droite). Serrer le crochet sur les vis, puis serrer les vis.
10. Insérer l'onglet du couvercle du bloc de connexion dans la fente du panneau arrière de la sècheuse. Immobiliser le couvercle avec la vis de retenue.

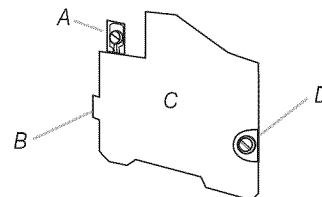


- A. Vis pour conducteur externe de liaison à la terre
- B. Conducteur de liaison à la terre de l'appareil
- C. Vis centrale du bloc de connexion
- D. Vis externes du bloc de connexion
- E. Conducteur neutre (conducteur central)
- F. Conducteur vert ou nu de liaison à la terre

- Conducteur de cuivre de calibre 10 (ne pas utiliser d'aluminium).

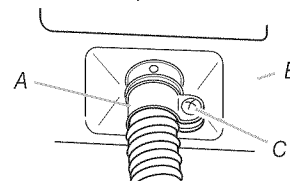
- Longueur de 5 pi ou plus (1,52 m).

1. Déconnecter la source de courant électrique.
2. Ôter la vis de retenue et le couvercle du bloc de connexion.



- A. Vis pour conducteur externe de liaison à la terre
- B. Onglet
- C. Couvercle du bloc de connexion
- D. Vis de retenue

3. Installer un connecteur de conduit de 3/4" dans le trou au-dessous de l'ouverture du bloc de connexion. Connecter le conduit métallique flexible et serrer la vis du connecteur. Faire passer le câble d'alimentation par câblage direct à travers le conduit métallique flexible.



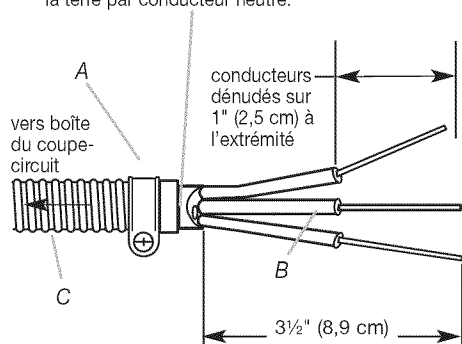
- A. Connecteur de conduit
- B. Caisse de la sècheuse
- C. Vis du connecteur

4. Exécuter les instructions d'installation qui suivent, selon le type de raccordement :

- Quatre conducteurs (méthode recommandée)
- Trois conducteurs (si un circuit à quatre conducteurs n'est pas disponible)

Câblage direct, prise de courant à trois conducteurs :

Trois conducteurs avec conducteur de liaison à la terre : Conducteur dénudé coupé, vert ou nu. Conducteur non utilisé. Sécheuse reliée à la terre par conducteur neutre.



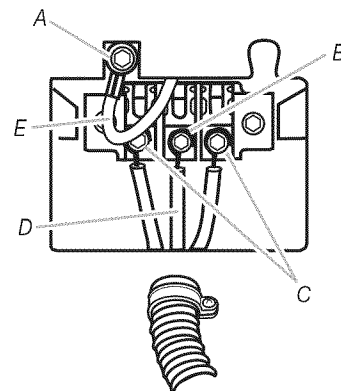
Former un crochet à l'extrémité de chaque conducteur.

Enlever 3 1/2" (8,9 cm) de la gaine externe à l'extrémité du câble. Dénuder ensuite chaque conducteur sur 1" (2,5 cm). Si vous utilisez un câble d'alimentation à 3 conducteurs avec conducteur de liaison à la terre, couper le conducteur nu ou vert au même niveau que la gaine externe.

- A. Connecteur de conduit de 3/4"
- B. Conducteur neutre (blanc ou central)
- C. Câble à 3 conducteurs de calibre 10 avec conducteur de liaison à la terre en conduit métallique flexible

Lorsque le code local permet le raccordement entre conducteur neutre et conducteur de liaison à la terre de la caisse :

5. Desserrer ou enlever la vis de la borne centrale du bloc de connexion.
6. Placer l'extrémité formée en crochet du conducteur neutre (blanc ou central) du câble d'alimentation par câblage direct sous la vis centrale du bloc de connexion (crochet orienté vers la droite). Serrer le crochet sur la vis, puis serrer la vis.
7. Placer l'extrémité en crochet des autres conducteurs d'alimentation par câblage direct sous les vis externes des bornes du bloc de connexion (crochet orienté vers la droite). Serrer le crochet sur les vis, puis serrer les vis.
8. Insérer l'onglet du couvercle du bloc de connexion dans la fente du panneau arrière de la sécheuse. Immobiliser le couvercle avec la vis de retenue.

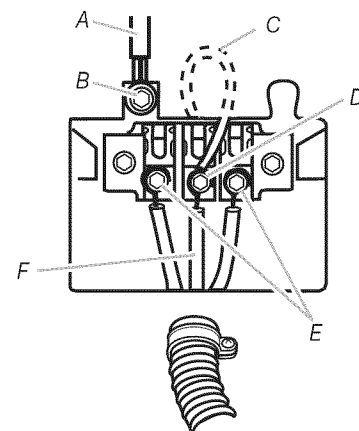


- A. Vis pour conducteur externe de liaison à la terre
- B. Vis centrale du bloc de connexion
- C. Vis externes du bloc de connexion
- D. Conducteur neutre (conducteur central)
- E. Conducteur de l'appareil (liaison à la terre)

Si les codes locaux ne permettent pas le raccordement entre conducteur neutre et conducteur de liaison à la terre de la caisse :

5. Ôter la vis de la borne centrale du bloc de connexion.
6. Détacher le conducteur de liaison à la terre de l'appareil de la vis de connexion du conducteur externe de liaison à la terre. Connecter le conducteur de liaison à la terre et le conducteur neutre (conducteur blanc ou central) du câble d'alimentation par câblage direct de l'appareil, sous la vis centrale (argent) du bloc de connexion. Serrer la vis.
7. Connecter les autres conducteurs sur les bornes externes du bloc de connexion. Serrer les vis.
8. Insérer l'onglet du couvercle du bloc de connexion dans la fente du panneau arrière de la sécheuse. Immobiliser le couvercle avec la vis de retenue.
9. Après avoir réinstallé le couvercle du bloc de connexion, installer un conducteur de liaison (cuivre) distinct entre la vis destinée à un conducteur externe de liaison à la terre et un point adéquat de liaison à la terre.

Si les codes permettent l'emploi d'un conducteur distinct de liaison à la terre, on recommande qu'un électricien qualifié vérifie la qualité de la liaison à la terre.



- A. Conducteur distinct en cuivre (liaison à la terre)
- B. Vis pour conducteur externe de liaison à la terre
- C. Conducteur de l'appareil (liaison à la terre)
- D. Vis centrale du bloc de connexion
- E. Vis externes du bloc de connexion
- F. Conducteur neutre (conducteur central)

Raccordement du conduit d'évacuation

1. À l'aide d'une bride de fixation de 4" (10,2 cm), relier le conduit d'évacuation à la bouche d'évacuation de la sècheuse. Si on utilise le conduit d'évacuation existant, s'assurer qu'il est propre. Le conduit d'évacuation de la sècheuse doit être fixé sur la bouche d'évacuation de la sècheuse et dans le clapet d'évacuation. S'assurer que le conduit d'évacuation est fixé au clapet d'évacuation à l'aide d'une bride de fixation de 4" (10,2 cm).
2. Avec l'aide d'au moins deux autres personnes, placer la sècheuse à l'emplacement final désiré. Ne pas écraser ni déformer le conduit d'évacuation. Vérifier que la sècheuse est de niveau.

Achever l'installation

1. Une fois la sècheuse à son emplacement final, placer un niveau sur le sommet de la sècheuse, transversalement, puis dans le sens avant arrière. Si la sècheuse n'est pas d'aplomb, ajuster les pieds pour modifier la hauteur et établir un bon aplomb de la sècheuse.

2. À l'aide d'un tournevis de sécurité Torx T20, ouvrir le tableau de commande et le faire reposer sur le bord inférieur de l'ouverture.
3. Pour plus de sécurité entre la partie supérieure de la sècheuse et la bague, insérer l'épingle à goupille fendue dans le boulon d'assemblage.
4. Fermer le tableau de commande.
5. Brancher la sècheuse ou reconnecter la source de courant électrique.
6. Contrôler le bon fonctionnement de la sècheuse:

Sélectionner un programme complet avec chaleur, laisser la sècheuse fonctionner pendant au moins cinq minutes. Elle s'arrête lorsque la durée est écoulée.

REMARQUE : La porte de la sècheuse doit être fermée pour que l'appareil fonctionne. Lorsque la porte est ouverte, la sècheuse s'arrête, mais le compte à rebours de la durée se poursuit. Pour remettre la sècheuse en marche, fermer la porte et resélectionner un programme.

7. Si le temps de séchage est trop long, s'assurer que le filtre à charpie est propre.
8. Mettre la sècheuse en marche; la laisser exécuter un programme complet avec chaleur (pas le programme de séchage à l'air) pour vérifier qu'elle fonctionne correctement.

RÉGLAGE DE LA COMMANDE ÉLECTRONIQUE

Voir la fiche technique pour plus d'information à propos du réglage.

INSTRUMENTS D'ENTRETIEN

Instructions d'entretien :

- Nettoyer le filtre à charpie après chaque utilisation.
- Comment enlever la charpie accumulée :
 - De l'intérieur de la sècheuse :
Il faut retirer la charpie tous les 2 ans ou plus souvent, selon l'utilisation de la sècheuse. Le nettoyage doit être effectué par une personne qualifiée.
 - Du conduit d'évacuation :
Il faut retirer la charpie tous les 2 ans ou plus souvent, selon l'utilisation de la sècheuse.
- Tenir les matériaux combustibles, essence ou autres vapeurs ou liquides inflammables, à l'écart de la zone entourant la sècheuse.
- Tenir les objets qui pourraient obstruer le flux de combustion et de ventilation à l'écart de la zone entourant la sècheuse.

Si la sècheuse ne fonctionne pas, vérifier ce qui suit :

- Le circuit d'alimentation électrique est bien connecté.
- Les disjoncteurs ne sont pas ouverts et les fusibles sont intacts.
- La porte est fermée.
- Les boutons de commande sélectionnent une configuration de fonctionnement.
- Un programme a été sélectionné.
- Pour une sècheuse à gaz, vérifier que les robinets de la canalisation de gaz sont ouverts.

Si vous avez besoin d'aide :

Le Centre d'assistance d'appareils de buanderie commerciaux répondra à toute question concernant le fonctionnement et l'entretien de la sècheuse non abordée dans les instructions d'installation. Le Centre d'assistance d'appareils de buanderie commerciaux est accessible 24 heures par jour, 7 jours par semaine. Il suffit de composer le 1-800 NO BELTS (1-800-662-3587). La communication est gratuite.

Lors de l'appel, vous devrez communiquer les numéros de modèle et de série de la sècheuse; les deux numéros sont inscrits sur la plaque signalétique située dans le logement de la porte de la sècheuse.

GARANTIE DE LA LAVEUSE COMMERCIALE, DE LA SÈCHEUSE, DE LA SÈCHEUSE/SÈCHEUSE SUPERPOSÉE, DE L'ENSEMBLE DE BUANDERIE COMMERCIAL SUPERPOSÉ, ET DES LAVEUSES ET SÈCHEUSES COMMERCIALES MULTI-CHARGE PAYANTES MAYTAG

GARANTIE LIMITÉE SUR LES PIÈCES

Pendant cinq ans à compter de la date d'achat, lorsque cet appareil ménager commercial est installé, utilisé et entretenu conformément aux instructions jointes à ou fournies avec le produit, Maytag marque de Whirlpool Corporation (ci-après désignée "Maytag") paiera pour les pièces de rechange spécifiées par l'usine ou les pièces de rechange d'équipement originales du fabricant pour corriger les vices de matériaux ou de fabrication. Une preuve d'achat originale est requise pour bénéficier du service de garantie.

MAYTAG NE PAIERA PAS POUR

1. Tous les autres frais, notamment la main-d'œuvre, le transport ou les taxes douanières.
2. Les visites de service pour rectifier l'installation de l'appareil ménager commercial, montrer à l'utilisateur comment utiliser l'appareil, remplacer ou réparer des fusibles, ou rectifier le câblage ou la plomberie extérieure.
3. Les réparations lorsque l'appareil est utilisé autrement que pour une utilisation commerciale ordinaire.
4. Les dommages imputables à une mauvaise manipulation du produit pendant une livraison, un vol, un accident, une modification, un usage impropre, un abus, un incendie, une inondation, des actes de Dieu, une mauvaise installation, une installation non conforme aux codes locaux d'électricité et de plomberie, ou l'utilisation de produits non approuvés par Maytag.
5. Le ramassage et la livraison. Cet appareil commercial est conçu pour être réparé sur place.
6. Les réparations aux pièces ou systèmes résultant d'une modification non autorisée faite à l'appareil commercial.
7. La dépose et la réinstallation de votre appareil commercial si celui-ci est installé dans un endroit inaccessible ou n'est pas installé conformément aux instructions d'installation fournies.
8. Les dommages chimiques ne sont pas couverts par la garantie.
9. Les modifications du bâtiment, de la pièce ou de l'emplacement nécessaires pour faire fonctionner l'appareil commercial correctement.

CLAUSE D'EXONÉRATION DE RESPONSABILITÉ AU TITRE DES GARANTIES IMPLICITES; LIMITATION DES RECOURS

LE SEUL ET EXCLUSIF RECOURS DU CLIENT DANS LE CADRE DE LA PRÉSENTE GARANTIE LIMITÉE CONSISTE EN LA RÉPARATION OU LE REMPLACEMENT DU PRODUIT PRÉVUS CI-DESSUS. LES GARANTIES IMPLICITES, Y COMPRIS LES GARANTIES APPLICABLES DE QUALITÉ MARCHANDE ET D'APTITUDE À UN USAGE PARTICULIER, SONT LIMITÉES À UN AN OU À LA PLUS COURTE PÉRIODE AUTORISÉE PAR LA LOI. WHIRLPOOL N'ASSUME AUCUNE RESPONSABILITÉ POUR LES DOMMAGES FORTUITS OU INDIRECTS. CERTAINES JURIDICTIONS NE PERMETTENT PAS L'EXCLUSION OU LA LIMITATION DES DOMMAGES FORTUITS OU INDIRECTS, OU LES LIMITATIONS DE LA DURÉE DES GARANTIES IMPLICITES DE QUALITÉ MARCHANDE OU D'APTITUDE À UN USAGE PARTICULIER, DE SORTE QUE CES EXCLUSIONS OU LIMITATIONS PEUVENT NE PAS S'APPLIQUER DANS VOTRE CAS. CETTE GARANTIE VOUS CONFÈRE DES DROITS JURIDIQUES SPÉCIFIQUES ET VOUS POUVEZ ÉGALEMENT JOUIR D'AUTRES DROITS QUI PEUVENT VARIER D'UNE JURIDICTION À UNE AUTRE.

Si vous avez besoin de service, veuillez communiquer avec votre distributeur d'ensemble de buanderie Maytag autorisé. Pour localiser votre distributeur d'ensemble de buanderie Maytag autorisé, ou pour des demandes de renseignements sur Internet, visitez le site Web www.MaytagCommercialLaundry.com.

9/07

Vous pouvez écrire à l'adresse suivante :

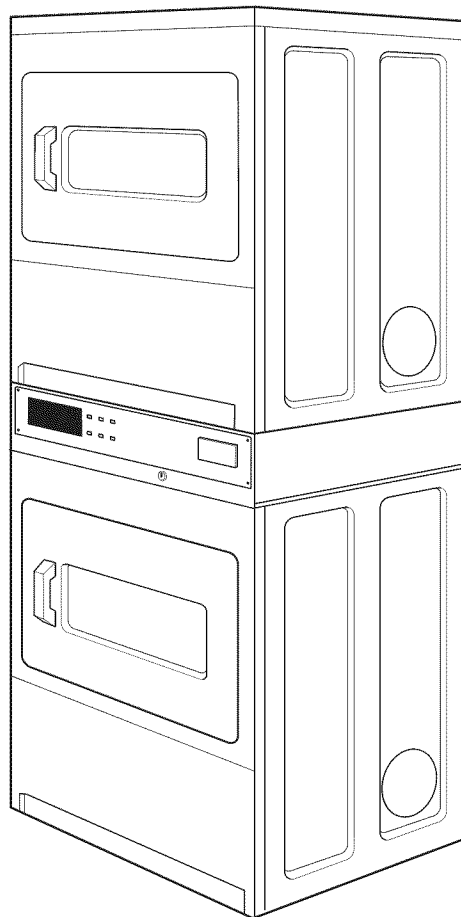
Maytag Commercial Laundry Service Department
2000 M-63 North
Benton Harbor, Michigan 49085 USA



**INSTALLATION INSTRUCTIONS
COMMERCIAL STACKED DRYER**
Gas (120-Volt, 60-Hz) or Electric (120/240-Volt, 60-Hz)

**INSTRUCTIONS POUR L'INSTALLATION D'UNE
SÈCHEUSE COMMERCIALE SUPERPOSÉE**
à gaz (120 Volts, 60 Hz) ou électrique (120/240 Volts, 60 Hz)

Table of Contents/Table des matières 2



Actual unit may or may not contain doors with windows, depending on model

Selon le modèle, le présent appareil n'offre peut-être pas de hublot de porte.

TABLE OF CONTENTS

DRYER SAFETY.....	2
INSTALLATION REQUIREMENTS	4
Tools and Parts	4
Location Requirements.....	4
Electrical Requirements - Gas Dryer	6
Electrical Requirements - Electric Dryer (U.S. only)	6
Gas Supply Requirements	7
Venting Requirements	8
INSTALLATION INSTRUCTIONS – GAS DRYER	10
Make Gas Connection.....	10
Connect Vent	10
Complete Installation	10
INSTALLATION INSTRUCTIONS – ELECTRIC DRYER.....	11
Make Electrical Connection.....	11
Connect Vent	15
Complete Installation	15
ELECTRONIC CONTROL SETUP	15
MAINTENANCE INSTRUCTIONS	15

TABLE DES MATIÈRES

SÉCURITÉ DE LA SÈCHEUSE	17
EXIGENCES D'INSTALLATION.....	19
Outillage et pièces	19
Exigences d'emplacement	19
Spécifications électriques - sècheuse à gaz	21
Spécifications électriques - sècheuse électrique (É.-U. seulement)	21
Spécifications de l'alimentation en gaz	22
Exigences concernant l'évacuation	23
INSTRUCTIONS D'INSTALLATION – SÈCHEUSE À GAZ	25
Raccordement à la canalisation de gaz	25
Raccordement du conduit d'évacuation	25
Achever l'installation	26
INSTRUCTIONS D'INSTALLATION – SÈCHEUSE ÉLECTRIQUE.....	26
Raccordement électrique	26
Raccordement du conduit d'évacuation	31
Achever l'installation	31
RÉGLAGE DE LA COMMANDE ÉLECTRONIQUE	31
INSTRUCTIONS D'ENTRETIEN	31

DRYER SAFETY

Your safety and the safety of others are very important.

We have provided many important safety messages in this manual and on your appliance. Always read and obey all safety messages.



This is the safety alert symbol.

This symbol alerts you to potential hazards that can kill or hurt you and others.

All safety messages will follow the safety alert symbol and either the word "DANGER" or "WARNING."

These words mean:

⚠ DANGER

You can be killed or seriously injured if you don't immediately follow instructions.

⚠ WARNING

You can be killed or seriously injured if you don't follow instructions.

All safety messages will tell you what the potential hazard is, tell you how to reduce the chance of injury, and tell you what can happen if the instructions are not followed.

- It is recommended that the owner post, in a prominent location, instructions for the customer's use in the event the customer smells gas. This information should be obtained from your gas supplier.
- Post the following warning in a prominent location.

FOR YOUR SAFETY

Do not store or use gasoline or other flammable vapors and liquids in the vicinity of this or any other appliance.

WARNING: For your safety, the information in this manual must be followed to minimize the risk of fire or explosion, or to prevent property damage, personal injury, or death.

- Do not store or use gasoline or other flammable vapors and liquids in the vicinity of this or any other appliance.
- **WHAT TO DO IF YOU SMELL GAS:**
 - Do not try to light any appliance.
 - Do not touch any electrical switch; do not use any phone in your building.
 - Clear the room, building, or area of all occupants.
 - Immediately call your gas supplier from a neighbor's phone. Follow the gas supplier's instructions.
 - If you cannot reach your gas supplier, call the fire department.
- Installation and service must be performed by a qualified installer, service agency, or the gas supplier.

WARNING: Gas leaks cannot always be detected by smell.
Gas suppliers recommend that you use a gas detector approved by UL or CSA.
For more information, contact your gas supplier.
If a gas leak is detected, follow the "What to do if you smell gas" instructions.

In the State of Massachusetts, the following installation instructions apply:

- Installations and repairs must be performed by a qualified or licensed contractor, plumber, or gasfitter qualified or licensed by the State of Massachusetts.
- If using a ball valve, it shall be a T-handle type.
- A flexible gas connector, when used, must not exceed 3 feet.

IMPORTANT SAFETY INSTRUCTIONS

WARNING: To reduce the risk of fire, electric shock, or injury to persons when using the dryer, follow basic precautions, including the following:

- Read all instructions before using the dryer.
- Do not place items exposed to cooking oils in your dryer. Items contaminated with cooking oils may contribute to a chemical reaction that could cause a load to catch fire.
- Do not dry articles that have been previously cleaned in, washed in, soaked in, or spotted with gasoline, dry-cleaning solvents, other flammable, or explosive substances as they give off vapors that could ignite or explode.
- Do not allow children to play on or in the dryer. Close supervision of children is necessary when the dryer is used near children.
- Before the dryer is removed from service or discarded, remove the door to the drying compartment.
- Do not reach into the dryer if the drum is moving.
- Do not install or store the dryer where it will be exposed to the weather.
- Do not tamper with controls.
- Do not repair or replace any part of the dryer or attempt any servicing unless specifically recommended in this Use and Care Guide or in published user-repair instructions that you understand and have the skills to carry out.
- Do not use fabric softeners or products to eliminate static unless recommended by the manufacturer of the fabric softener or product.
- Do not use heat to dry articles containing foam rubber or similarly textured rubber-like materials.
- Clean lint screen before or after each load.
- Keep area around the exhaust opening and adjacent surrounding areas free from the accumulation of lint, dust, and dirt.
- The interior of the dryer and exhaust vent should be cleaned periodically by qualified service personnel.
- See installation instructions for grounding requirements.

SAVE THESE INSTRUCTIONS

IMPORTANT: The gas installation must conform with local codes, or in the absence of local codes, with the National Fuel Gas Code, ANSI Z223.1/NFPA 54 or the Canadian Natural Gas and Propane Installation Code, CSA B149.1.

The dryer must be electrically grounded in accordance with local codes, or in the absence of local codes, with the National Electrical Code, ANSI/NFPA 70 or Canadian Electrical Code, CSA C22.1.

INSTALLATION REQUIREMENTS

Tools and Parts

Gather the required tools and parts before starting installation. Read and follow the instructions provided with any tools listed here.

Tools needed

- 8" or 10" pipe wrench
- 8" or 10" adjustable wrench
- Flat-blade screwdriver
- Phillips screwdriver
- Adjustable wrench that opens to 1" (2.5 cm) or 1" (25 mm) hex-head socket wrench
- Security T-20 TORX[†] driver
- Level
- 5/16" open-end wrench
- Vent clamps
- Pipe-joint compound resistant to LP gas
- Caulk gun and caulk (for installing new exhaust vent)
- Pliers
- Putty knife

Parts supplied

Remove parts bag from dryer drum. Check that all parts were included.

- 10-32 x 5/16" serrated screw (4)
- Security cotter pin (2)

Location Requirements

WARNING



Explosion Hazard

Keep flammable materials and vapors, such as gasoline, away from dryer.

Do not install in a garage.

Failure to do so can result in death, explosion, or fire.

If installing a gas dryer:

IMPORTANT: Observe all governing codes and ordinances.

- Check code requirements: Some codes limit or do not permit installation of clothes dryers in closets or sleeping quarters. Contact your local building inspector.
- Make sure that lower edges of the cabinet, plus the back and bottom sides of the dryer, are free of obstructions to permit adequate clearance of air openings for combustion air. See "Recessed Area Installation Instructions" below for minimum spacing requirements.

NOTE:

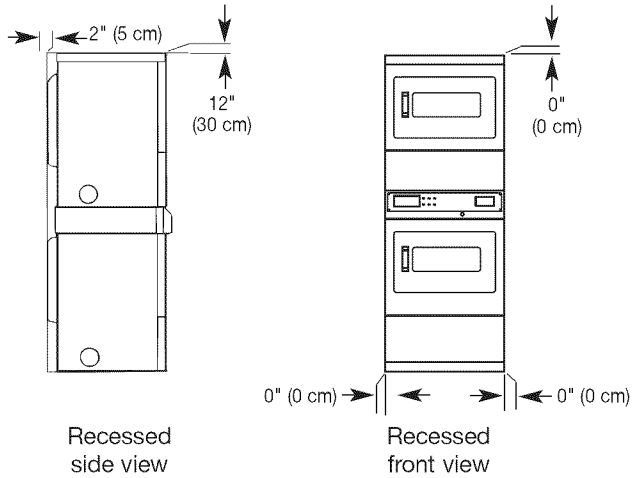
- The dryer must not be installed in an area where it will be exposed to water and/or weather.
- This dryer must not be installed in a closet with a door.

Recessed Area Installation Instructions

This dryer may be installed in a recessed area. Minimum installation clearances can be found on the rear of the dryer. The dryer must be exhausted outdoors.

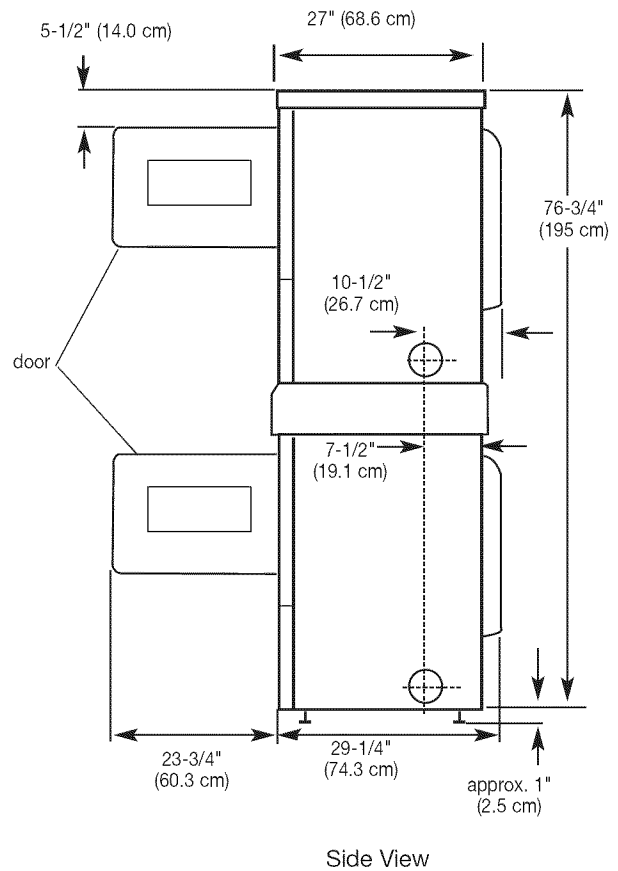
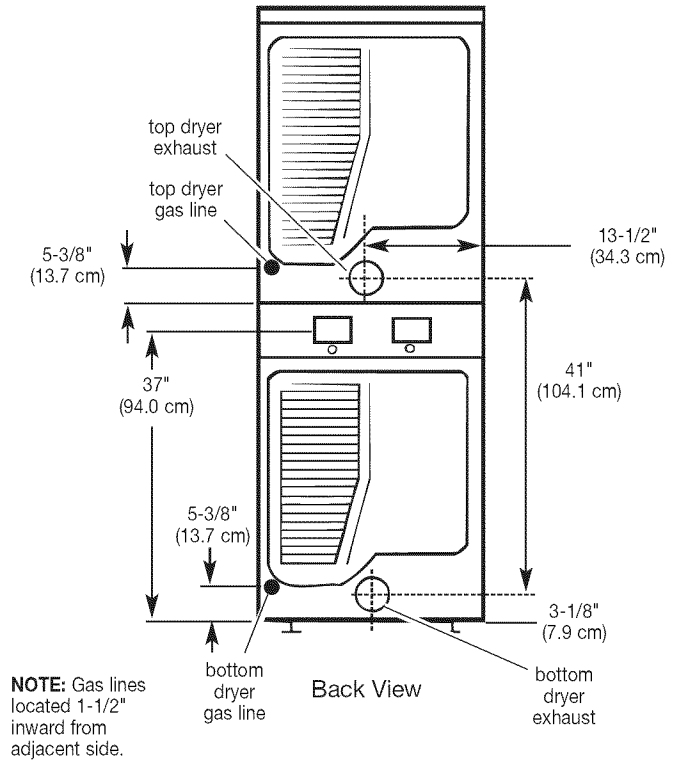
Minimum Installation Clearances

	Back	Sides	Top	Front
Recessed	2 in (5 cm)	0 in (0 cm)	12 in (30 cm)	—



Additional clearances for wall, door, and floor moldings may be required or if external exhaust elbow is used.

Product Dimensions



Electrical Requirements – Gas Dryer

⚠ WARNING



Electrical Shock Hazard

Plug into a grounded 3 prong outlet.

Do not remove ground prong.

Do not use an adapter.

Do not use an extension cord.

Failure to follow these instructions can result in death, fire, or electrical shock.

IMPORTANT: The dryer must be electrically grounded in accordance with local codes and ordinances or, in the absence of local codes, with the National Electrical Code, ANSI/NFPA 70, latest edition.

If codes permit and a separate ground wire is used, it is recommended that a qualified electrical installer determine that the ground path is adequate.

A copy of the above code standards can be obtained from:

National Fire Protection Association
One Batterymarch Park, Quincy, MA 02269

- A 120 volt, 60 Hz, AC only, 15-amp, fused electrical circuit is required. A time-delay fuse or circuit breaker is also recommended. It is recommended that a separate circuit serving only this dryer be provided.

Recommended Ground Method

The dryer, when installed, must be electrically grounded in accordance with local codes or, in the absence of local codes, with the National Electrical Code, ANSI/NFPA 70, latest edition.

GROUNDING INSTRUCTIONS

- For a grounded, cord-connected dryer:
This dryer must be grounded. In the event of a malfunction or breakdown, grounding will reduce the risk of electric shock by providing a path of least resistance for electric current. This dryer is equipped with a cord having an equipment-grounding conductor and a grounding plug. The plug must be plugged into an appropriate outlet that is properly installed and grounded in accordance with all local codes and ordinances.

WARNING: Improper connection of the equipment-grounding conductor can result in a risk of electric shock. Check with a qualified electrician or service representative or personnel if you are in doubt as to whether the dryer is properly grounded. Do not modify the plug provided with the dryer: if it will not fit the outlet, have a proper outlet installed by a qualified electrician.

SAVE THESE INSTRUCTIONS

Electrical Requirements – Electric Dryer (U.S. Only)

IMPORTANT: The dryer must be electrically grounded in accordance with local codes and ordinances or, in the absence of local codes, with the National Electrical Code, ANSI/NFPA 70, latest edition.

The National Electrical Code requires a 4-wire supply connection for homes built after 1996, dryer circuits involved in remodeling after 1996, and all mobile home installations.

If codes permit and a separate ground wire is used, it is recommended that a qualified electrical installer determine that the ground path is adequate.

A copy of the above code standards can be obtained from:

National Fire Protection Association
One Batterymarch Park, Quincy, MA 02269

- A four-wire or three-wire, single-phase, 120/240 volt, 60 Hz, AC only electrical supply (or four-wire or three-wire, 120/208 volt, if specified on the model/serial rating plate) is required on a separate, 30-amp circuit, fused on both sides of the line. A time-delay fuse or circuit breaker is recommended.

Recommended Ground Method

It is your responsibility to contact a qualified electrical installer to ensure that the electrical installation is adequate and in conformity with the National Electrical Code, ANSI/NFPA 70, latest edition, and all local codes and ordinances.

GROUNDING INSTRUCTIONS

- For a grounded, cord-connected dryer:
This dryer must be grounded. In the event of a malfunction or breakdown, grounding will reduce the risk of electric shock by providing a path of least resistance for electric current. This dryer uses a cord having an equipment-grounding conductor and a grounding plug. The plug must be plugged into an appropriate outlet that is properly installed and grounded in accordance with all local codes and ordinances.
- For a permanently connected dryer:
This dryer must be connected to a grounded metal, permanent wiring system, or an equipment-grounding conductor must be run with the circuit conductors and connected to the equipment-grounding terminal or lead on the dryer.

WARNING: Improper connection of the equipment-grounding conductor can result in a risk of electric shock. Check with a qualified electrician or service representative or personnel if you are in doubt as to whether the dryer is properly grounded. Do not modify the plug on the power supply cord: if it will not fit the outlet, have a proper outlet installed by a qualified electrician.

SAVE THESE INSTRUCTIONS

Gas Supply Requirements

⚠ WARNING



Explosion Hazard

Use a new CSA International approved gas supply line.

Install a shut-off valve.

Securely tighten all gas connections.

If connected to LP, have a qualified person make sure gas pressure does not exceed 13" (33 cm) water column.

Examples of a qualified person include:

**licensed heating personnel,
authorized gas company personnel, and
authorized service personnel.**

Failure to do so can result in death, explosion, or fire.

IMPORTANT: Observe all governing codes and ordinances.

This installation must conform with all local codes and ordinances. In the absence of local codes, installation must conform with American National Standard, National Fuel Gas Code ANSI Z223.1/NFPA 54.

A copy of the above code standards can be obtained from:

National Fire Protection Association
One Batterymarch Park, Quincy, MA 02269

The design of this dryer has been certified by CSA International for use at altitudes up to 10,000 feet (3048 m) above sea level at the B.T.U. rating indicated on the model/serial plate. Burner input adjustments are not required when the dryer is operated up to this elevation.

When installed above 10,000 feet (3048 m), a four percent (4%) reduction of the burner B.T.U. rating shown on the model/serial plate is required for each 1,000 foot (305 m) increase in elevation. For assistance when converting to other gas types and/or installing above 10,000 feet (3048 m) elevation, contact your local service company.

Type of Gas

This dryer is equipped for use with natural gas. It is design-certified by CSA International for L.P. (propane and butane) gases with appropriate conversion. No attempt shall be made to convert the dryer from the gas specified on the serial/rating plate for use with a different gas without consulting the serving gas supplier. Conversion must be done by a qualified service technician. Gas conversion kit part numbers are listed on the gas valve burner base.

Gas Supply Line

Recommended method

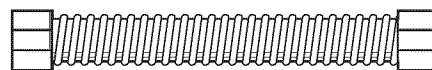
- Provide a gas supply line of ½" rigid (IPS) pipe to the dryer location. Pipe joint compounds that resist the action of LP gas must be used. Do not use TEFLON®† tape. With LP gas, piping or tubing size can be ½" minimum. Usually, LP gas suppliers determine the size and materials used in the system.

Alternate method

- The gas supply may also be connected using ¾" approved copper or aluminum tubing. If the total length of the supply line is more than 20 feet (6.1 m), larger tubing will be required. If using natural gas, do not use copper tubing. Pipe joint compounds that resist the action of LP gas must be used.

Flexible metal appliance connector

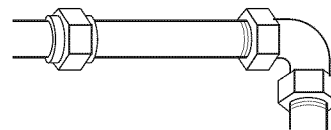
- It is recommended that a new flexible stainless steel gas line, design-certified by CSA International, be used for connecting the dryer to the gas supply line. (The gas pipe which extends through the lower rear of the dryer is provided with ¾" male pipe thread.)



- Do not kink or damage the flexible stainless steel gas line when moving the dryer.

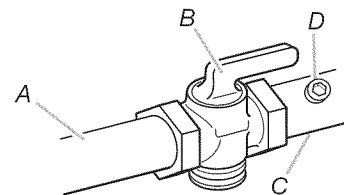
Rigid pipe connection

The rigid pipe connection requires a combination of pipe fittings to obtain an in-line connection to the dryer.



- Must include a shutoff valve:

The supply line must be equipped with a manual shutoff valve. In the U.S., the valve must be installed within 6 ft. (1.8 m) of dryer in accordance with National Fuel Gas Code, ANSI Z223.1. In Canada, an individual manual shutoff valve must be installed in accordance with the B149 installation codes CAN/CGA B149.1 and CAN/CGA B149.2. This valve should be located in the same room as the dryer. It should be in a location that allows ease of opening and closing. Do not block access to shutoff valve. The valve is for turning on or shutting off gas to the dryer.



A. Gas supply line
B. Shutoff valve in "open" position
C. To dryer
D. NPT 1/8" min. plugged tapping

- Installed in a confined area:

If the dryer is installed in a confined area such as a bathroom, provision must be made for enough air for combustion and ventilation. Check governing codes and ordinances or refer to the "Recessed Area Installation Instructions" in the "Location Requirements" section.

†TEFLON is a registered trademark of E.I. Du Pont De Nemours and Company.

Gas Supply Pressure Testing

A 1/8" NPT minimum plugged tapping, accessible for gauge testing, must be installed immediately upstream of the installed shut-off valve to the dryer.

The dryer must be disconnected from the gas supply piping system during any pressure testing of the system at test pressures in excess of 1/2 psig.

Venting Requirements

⚠ WARNING



Fire Hazard

Use a heavy metal vent.

Do not use a plastic vent.

Do not use a metal foil vent.

Failure to follow these instructions can result in death or fire.

WARNING: To reduce the risk of fire, this dryer **MUST BE EXHAUSTED OUTDOORS.**

- The dryer vent must not be connected into any gas vent, chimney, wall, ceiling, or a concealed space of a building.
- Do not use an exhaust hood with a magnetic latch.
- Do not install flexible metal vent in enclosed walls, ceilings, or floors.
- 4" (10.2 cm) heavy metal vent and clamps must be used.
- Use clamps to seal all joints. Vent must not be connected or secured to the dryer with screws. Do not use duct tape.

IMPORTANT: Observe all governing codes and ordinances.

Use a heavy metal vent. Do not use plastic or metal foil vent.

Rigid metal vent is recommended to prevent crushing and kinking.

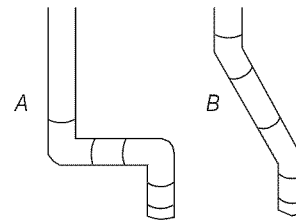
Flexible metal vent must be fully extended and supported when the dryer is in its final position. Remove excess flexible metal vent to avoid sagging and kinking that may result in reduced airflow and poor performance.

An exhaust hood should cap the vent to prevent rodents and insects from entering the home or business.

Exhaust hood must be at least 12" (30.5 cm) from the ground or any object that may be in the path of the exhaust (such as flowers, rocks, or bushes).

If using an existing vent system, clean lint from the entire length of the system and make sure exhaust hood is not plugged with lint. Replace any plastic or metal foil vent with rigid metal vent.

Plan installation to use the fewest number of elbows and turns.



Exhaust Air Flow

A. Good

B. Better

Allow as much room as possible when using elbows or making turns. Bend vent gradually to avoid kinking.

Vent outlet is located at the center of the bottom dryer back.

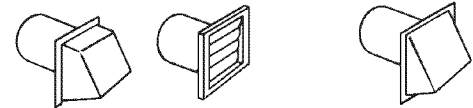
The vent can be routed up, down, left, right, behind the dryer, or straight out the back of the dryer.

Vent System Length

Maximum length of vent system depends upon the type of vent used, number of elbows, and type of exhaust hood. The maximum length for rigid vent is shown in the chart.

Maximum Vent Length

4" (10.2 cm) Diameter Exhaust Hoods



Rigid Metal Vent

No. of 90° turns	Box Hood and Louvered Style	Angled Hood Style
0	130 ft. (39.6 m)	129 ft. (39.3 m)
1	125 ft. (38.1 m)	119 ft. (36.3 m)
2	115 ft. (35.1 m)	109 ft. (33.2 m)
3	106 ft. (32.3 m)	100 ft. (30.5 m)
4	98 ft. (29.9 m)	92 ft. (28.0 m)

For vent systems not covered by the vent specification chart, see your parts distributor.

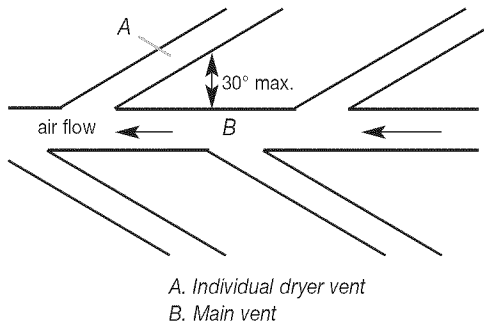
If dryer is installed in a confined area, such as a bedroom or bathroom, provision must be made for enough air for combustion and ventilation. (Check governing codes and ordinances.) See "Recessed Area Installation Instructions" in the "Location Requirements" section.

Multiple Dryer Venting

- A main vent can be used for venting a group of dryers. The main vent should be sized to remove 200 CFM of air per dryer (min. static pressure of 0.06 inch water column TOTAL). Large-capacity lint screens of proper design may be used in the main vent if checked and cleaned frequently. The room where the dryers are located should have make-up air equal to or greater than the CFM of all the dryers in the room.
- Back-draft Damper Kits, Part No. 3391910, are available from your dealer or distributor and should be installed in the vent of each dryer to prevent exhausted air from returning into the dryers and to keep the exhaust in balance within the main vent. Unobstructed air openings are required.

Each vent should enter the main vent at an angle pointing in the direction of the airflow. Vents entering from the opposite side should be staggered to reduce the exhausted air from interfering with the other vents.

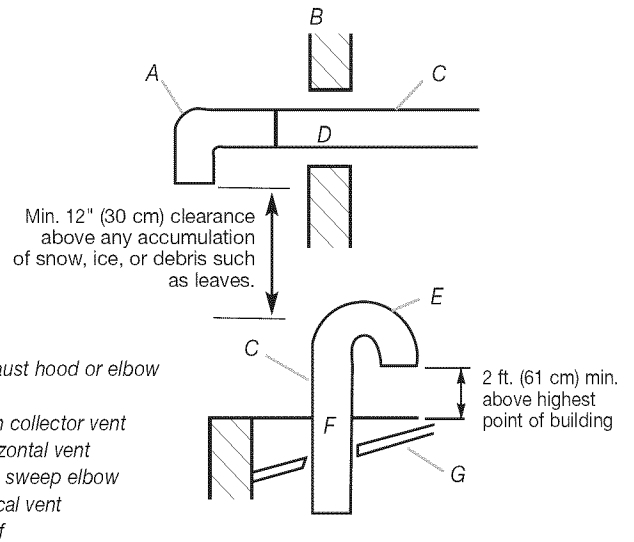
The maximum angle of each vent entering the main vent should be no more than 30°.



Keep air openings free of dry cleaning fluid fumes. Fumes create acids which, when drawn through the dryer heating units, can damage dryers and loads being dried.

A clean-out cover should be located on the main vent for periodic cleaning of the vent system.

If an exhaust hood cannot be used:



The outside end of the main vent should have a sweep elbow directed downward. If the main vent travels vertically through the roof, rather than through the wall, install a 180° sweep elbow on the end of the vent at least 2 feet (61 cm) above the highest part of the building. The opening in the wall or roof shall have a diameter 1/2" (1.3 cm) larger than the vent diameter. The vent should be centered in the opening.

Do not install screening or cap over the end of the vent.

INSTALLATION INSTRUCTIONS – GAS DRYER

Make Gas Connection

⚠ WARNING

Excessive Weight Hazard

**Use two or more people to move and install dryer.
Failure to do so can result in back or other injury.**

1. Remove red cap from gas pipe.
2. Connect gas supply to dryer. Use pipe-joint compound resistant to the action of L.P. gas for gas connections. If flexible metal tubing is used, be certain there are no kinks. If necessary for service, open the toe panel. Use a putty knife to press on the toe panel locks located at the upper corners of the toe panel. Pull downward on the toe panel to open. Toe panel is hinged at the bottom.
3. Open the shutoff valve in the gas supply line.
4. Test all connections by brushing on an approved noncorrosive leak-detection solution. Bubbles will show a leak. Correct any leak found.

Connect Vent

1. Using a 4" (10.2 cm) clamp, connect vent to exhaust outlet on rear of dryer. If connecting to existing vent, make sure the vent is clean. The dryer vent must fit over the dryer exhaust outlet and inside the exhaust hood. Make sure the vent is secured to exhaust hood with a 4" (10.2 cm) clamp.
2. Using two or more people, move dryer to desired installation location. Do not crush or kink vent. Make sure dryer is level.
3. Check that there are no kinks in the flexible gas line.

⚠ WARNING



Electrical Shock Hazard

Plug into a grounded 3 prong outlet.

Do not remove ground prong.

Do not use an adapter.

Do not use an extension cord.

Failure to follow these instructions can result in death, fire, or electrical shock.

Complete Installation

1. With dryer in final position, place level on top of the dryer, first side to side; then front to back. If the dryer is not level, adjust the legs of the dryer up or down until the dryer is level.
2. Using a Torx T20 security driver, open the control panel and rest it on the bottom edge of the opening.
3. For added security between the upper dryer and the collar, insert the cotter hair pin through the connecting bolt.
4. Close the control panel.
5. Plug into a grounded 3 prong outlet.
6. Check dryer operation.
Select a full heat cycle, let the dryer run for at least five minutes. Dryer will stop when time is used up.
NOTE: Dryer door must be closed for dryer to operate. When door is opened, dryer stops, but time continues to count down. To restart dryer, close door and reselect cycle.
7. If the burner does not ignite and you can feel no heat inside the dryer, shut off dryer for five minutes. Check that all supply valve controls are in "ON" position and that the electrical cord is plugged in. Repeat five-minute test.

INSTALLATION INSTRUCTIONS – ELECTRIC DRYER

Make Electrical Connection

⚠ WARNING

Excessive Weight Hazard

**Use two or more people to move and install dryer.
Failure to do so can result in back or other injury.**

Power Supply Cord Method – U.S. Only

- This dryer is manufactured ready to install with a 3-wire electrical supply connection. The neutral ground conductor is permanently connected to the neutral conductor (white wire) within the dryer. If the dryer is installed with a 4-wire electrical supply connection, the neutral ground conductor must be removed from the external ground connector (green screw), and secured under the neutral terminal (center or white wire) of the terminal block. When the neutral ground conductor is secured under the neutral terminal (center or white wire) of the terminal block, the dryer cabinet is isolated from the neutral conductor.

Power Supply Cord Method – U.S. Only

- If local codes do not permit the connection of a neutral ground wire to the neutral wire, see “Optional 3-wire connection” section.
- A 4-wire power supply connection must be used when the appliance is installed in a location where grounding through the neutral conductor is prohibited. Grounding through the neutral is prohibited for (1) new branch-circuit installations, (2) mobile homes, (3) recreational vehicles, and (4) areas where local codes prohibit grounding through the neutral conductors.

⚠ WARNING



Fire Hazard

Use a new UL listed 30 amp power supply cord.

Use a UL listed strain relief.

Disconnect power before making electrical connections.

Connect neutral wire (white or center wire) to center terminal (silver).

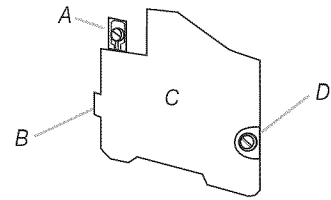
Ground wire (green or bare wire) must be connected to green ground connector.

Connect remaining 2 supply wires to remaining 2 terminals (gold).

Securely tighten all electrical connections.

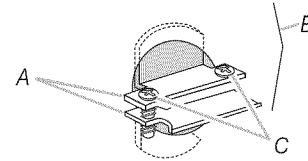
Failure to do so can result in death, fire, or electrical shock.

1. Disconnect power.



A. External ground conductor screw
B. Tab
C. Terminal block cover
D. Hold-down screw

2. Remove hold-down screw and the terminal block cover.
3. Assemble 3/4" UL-listed strain relief (UL marking on strain relief) into the hole below the terminal block opening. Tighten strain relief screws just enough to hold the two clamp sections together. Install power supply cord through the strain relief.

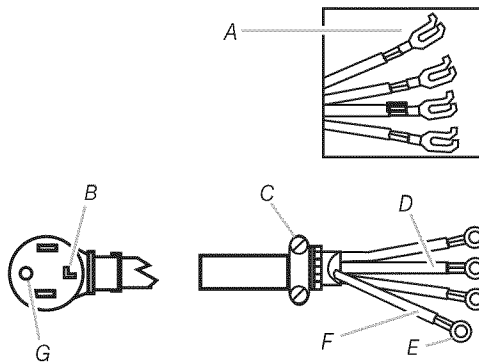


A. Strain relief clamp sections
B. Dryer cabinet
C. Strain relief screws

4. Complete installation following instructions for your type of electrical connection:

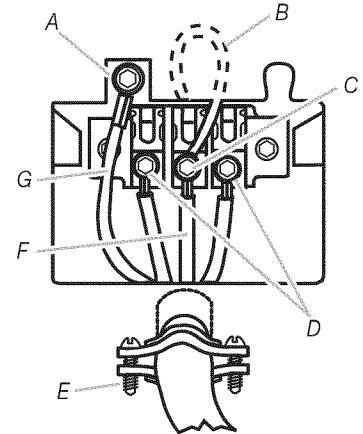
- Four-wire (recommended method)
- Three-wire (if four-wire is not available)

Power Supply Cord, Four-wire electrical connection:



A. Spade terminals with upturned ends
B. Neutral
C. 3/4" UL-listed strain relief
D. Neutral (white)
E. Ring terminals
F. Ground wire
G. Ground prong

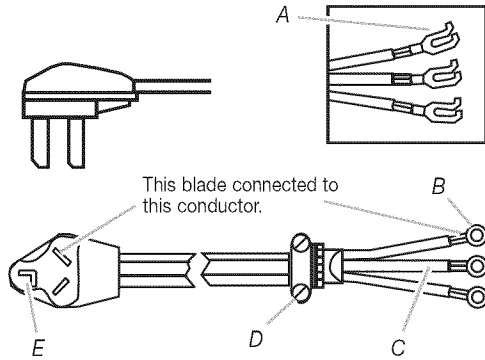
5. Remove the center terminal block screw.
6. Remove the appliance neutral ground wire from the external ground conductor screw. Fasten under center, silver-colored terminal block screw.
7. Connect the ground wire of the power supply cord to the external ground conductor screw. Tighten screw.
8. Connect the neutral wire (white or center) of the power supply cord under the center screw of the terminal block. Tighten screw.
9. Connect the other wires to outer terminal block screws. Tighten screws.
10. Tighten strain relief screws.
11. Insert tab of the terminal block cover into slot of the dryer rear panel. Secure cover with hold-down screw.



A. External ground conductor screw
B. Appliance neutral ground wire
C. Center terminal block screw
D. Outer terminal block screws
E. Strain relief screw
F. Neutral (center wire)
G. Ground wire

Four-wire power supply cord must have four, No. 10 copper wires and match a four-wire receptacle of NEMA Type 14-30R. The fourth wire (ground conductor) must be identified by a green cover and the neutral conductor by a white cover.

**Power Supply Cord,
Three-wire electrical connection:**

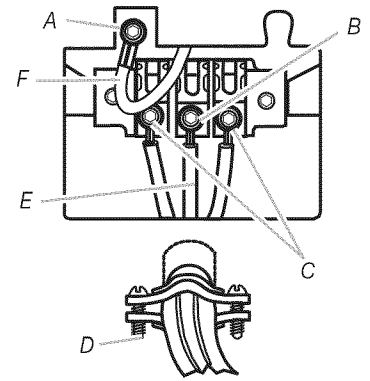


- A. Spade terminals with upturned ends
- B. Ring terminals
- C. Neutral (white or center)
- D. 3/4" UL-listed strain relief
- E. Neutral

Three-wire power supply cord must have three, No. 10 copper wires and match a three-wire receptacle of NEMA Type 10-30R.

Use this method where local codes permit connecting neutral ground wire to neutral wire:

5. Loosen or remove the center terminal block screw.
6. Connect the neutral wire (white or center) of the power supply cord to the center, silver-colored terminal screw of the terminal block. Tighten screw.
7. Connect the other wires to outer terminal block screws. Tighten screws.
8. Tighten strain relief screws.
9. Insert tab of the terminal block cover into slot of the dryer rear panel. Secure cover with hold-down screw.

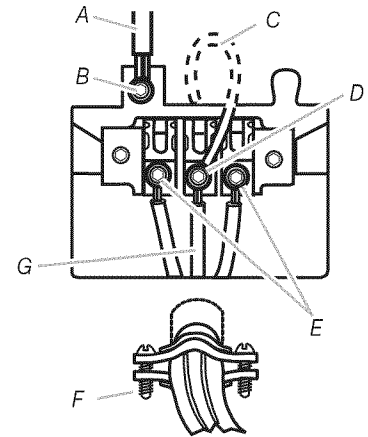


- A. External ground conductor screw
- B. Center terminal block screw
- C. Outer terminal block screws
- D. Strain relief screw
- E. Neutral (center wire)
- F. Appliance neutral ground wire

Use this method where local codes do not permit connecting neutral ground wire to neutral wire:

5. Remove the center terminal block screw.
6. Remove the appliance neutral ground wire from the external ground conductor screw. Connect the appliance neutral ground wire and the neutral wire (white or center) of the power supply cord under the center, silver-colored terminal block screw. Tighten screw.
7. Connect the other wires to outer terminal block screws. Tighten screws.
8. Tighten strain relief screws.
9. Insert tab of the terminal block cover into slot of the dryer rear panel. Secure cover with hold-down screw.
10. After reattaching the terminal cover, connect a separate copper ground wire from the external ground conductor screw to an adequate ground.

If codes permit and a separate ground wire is used, it is recommended that a qualified electrician determine that the ground path is adequate.



- A. Separate copper ground wire
- B. External ground conductor screw
- C. Appliance neutral ground wire
- D. Center terminal block screw
- E. Outer terminal block screws
- F. Strain relief screw
- G. Neutral (center wire)

Direct Wire Method – U.S. Only

⚠ WARNING



Fire Hazard

Use 10 gauge solid copper wire.

Use a UL listed strain relief.

Disconnect power before making electrical connections.

Connect neutral wire (white or center wire) to center terminal (silver).

Ground wire (green or bare wire) must be connected to green ground connector.

Connect remaining 2 supply wires to remaining 2 terminals (gold).

Securely tighten all electrical connections.

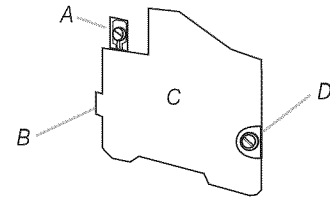
Failure to do so can result in death, fire, or electrical shock.

Direct wire cable must match power supply (4-wire or 3-wire) and be:

- Flexible armored cable or nonmetallic sheathed copper cable (with ground wire), protected with flexible metallic conduit. All current-carrying wires must be insulated.
- 10-gauge solid copper wire (do not use aluminum).
- At least 5 ft. (1.52 m) long.

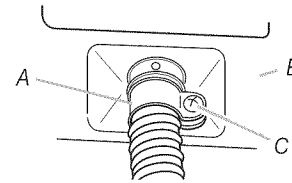
1. Disconnect power.

2. Remove hold-down screw and terminal block cover.



A. External ground conductor screw
B. Tab
C. Terminal block cover
D. Hold-down screw

3. Install $\frac{3}{4}$ " conduit connector into the hole below the terminal block opening. Connect flexible metallic conduit and tighten connector screw. Install direct wire cable through the flexible metallic conduit.

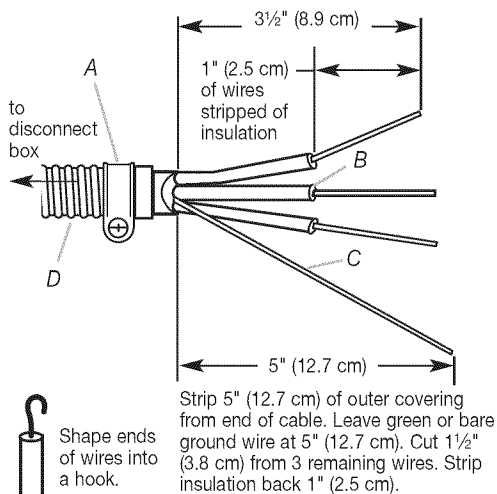


A. Conduit connector
B. Dryer cabinet
C. Connector screw

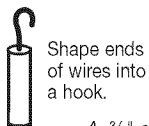
4. Complete installation following instructions for your type of electrical connection:

- Four-wire (recommended method)
- Three-wire (if four-wire is not available)

Direct Wire, Four-wire electrical connection:



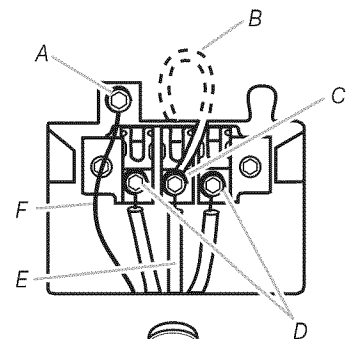
Strip 5" (12.7 cm) of outer covering from end of cable. Leave green or bare ground wire at 5" (12.7 cm). Cut $1\frac{1}{2}$ " (3.8 cm) from 3 remaining wires. Strip insulation back 1" (2.5 cm).



Shape ends of wires into a hook.

- A. $\frac{3}{4}$ " conduit connector
- B. Neutral (white or center)
- C. Ground wire (green or bare)
- D. 10-gauge, 3 wire with ground wire in flexible metallic conduit

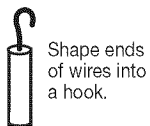
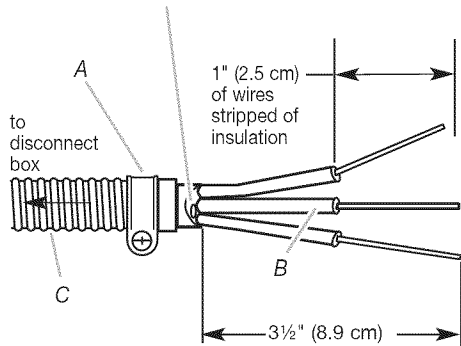
5. Remove the center terminal block screw.
6. Remove the appliance neutral ground wire from the external ground conductor screw. Fasten under center, silver-colored terminal block screw.
7. Connect the ground wire (green or bare) of the direct wire cable to the external ground conductor screw. Tighten screw.
8. Place the hooked end of the neutral wire (white or center) of the direct wire cable under the center screw of the terminal block (hook facing right). Squeeze hook end together. Tighten screw.
9. Place the hooked ends of the other direct wire cable wires under the outer terminal block screws (hook facing right). Squeeze hooked ends together. Tighten screws.
10. Insert tab of the terminal block cover into slot of the dryer rear panel. Secure cover with hold-down screw.



A. External ground conductor screw
B. Appliance neutral ground wire
C. Center terminal block screw
D. Outer terminal block screws
E. Neutral (center wire)
F. Green or bare ground wire

**Direct Wire,
Three-wire electrical connection:**

Three wire with ground wire: green or bare wire cut short. Wire is not used. Dryer is grounded through neutral conductor.



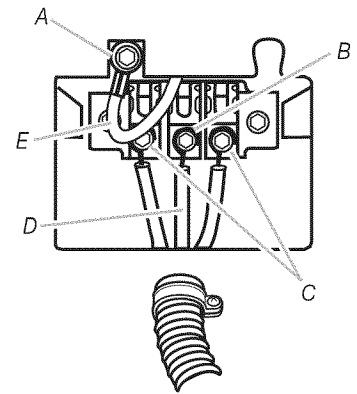
Shape ends of wires into a hook.

Strip 3 1/2" (8.9 cm) of outer covering from end of cable. Strip insulation back 1" (2.5 cm). If using 3 wire cable with ground wire, cut green or bare wire even with outer covering.

- A. 3/4" conduit connector
- B. Neutral (white or center)
- C. 10-gauge, 3 wire with ground wire in flexible metallic conduit

Use this method where local codes permit connecting neutral ground wire to neutral wire:

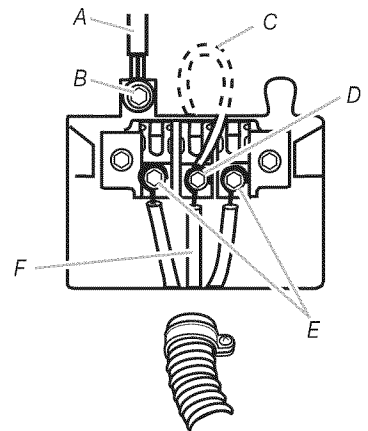
5. Loosen or remove the center terminal block screw.
6. Place the hooked end of the neutral wire (white or center) of the direct wire cable under the center screw of the terminal block (hook facing right). Squeeze hooked end together. Tighten screw.
7. Place the hooked ends of the other direct wire cable wires under the outer terminal block screws (hook facing right). Squeeze hooked ends together. Tighten screws.
8. Insert tab of the terminal block cover into slot of the dryer rear panel. Secure cover with hold-down screw.



- A. External ground conductor screw
- B. Center terminal block screw
- C. Outer terminal block screws
- D. Neutral (center wire)
- E. Appliance neutral ground wire

Use this method where local codes do not permit connecting neutral ground wire to neutral wire:

5. Remove the center terminal block screw.
6. Remove the appliance neutral ground wire from the external ground conductor screw. Connect the appliance neutral ground wire and the neutral wire (white or center) of the direct wire cable under the center, silver-colored terminal block screw. Tighten screw.
7. Connect the other wires to outer terminal block screws. Tighten screws.
8. Insert tab of the terminal block cover into slot of the dryer rear panel. Secure cover with hold-down screw.
9. After reattaching the terminal cover, connect a separate copper ground wire from the external ground connector screw to an adequate ground.



- A. Separate copper ground wire
- B. External ground conductor screw
- C. Appliance neutral ground wire
- D. Center terminal block screw
- E. Outer terminal block screws
- F. Neutral (center wire)

If codes permit and a separate ground wire is used, it is recommended that a qualified electrician determine that the ground path is adequate.

Connect Vent

1. Using a 4" (10.2 cm) clamp, connect vent to exhaust outlet in dryer. If connecting to existing vent, make sure the vent is clean. The dryer vent must fit over the dryer exhaust outlet and inside the exhaust hood. Make sure the vent is secured to exhaust hood with a 4" (10.2 cm) clamp.
2. Using two or more people, move dryer to desired installation location. Do not crush or kink vent. Make sure dryer is level.

Complete Installation

1. With dryer in final position, place level on top of the dryer, first side to side; then front to back. If the dryer is not level, adjust the legs of the dryer up or down until the dryer is level.
2. Using a Torx T20 security driver, open the control panel and rest it on the bottom edge of the opening.

3. For added security between the upper dryer and the collar, insert the cotter hair pin through the connecting bolt.
4. Close the control panel.
5. Plug in dryer or reconnect power.
6. Check dryer operation.

Select a full heat cycle, let the dryer run for at least five minutes. Dryer will stop when time is used up.

NOTE: Dryer door must be closed for dryer to operate. When door is opened, dryer stops, but time continues to count down. To restart dryer, close door and reselect cycle.

7. Now start the dryer and allow it to complete a full heat cycle to make sure it is working properly.

ELECTRONIC CONTROL SETUP

See Tech Sheet for information on setup.

MAINTENANCE INSTRUCTIONS

Maintenance instructions:

- Clean lint screen after each cycle.
- Removing accumulated lint:
 - From inside the dryer cabinet:
Lint should be removed every 2 years or more often, depending on dryer usage. Cleaning should be done by a qualified person.
 - From the exhaust vent:
Lint should be removed every 2 years, or more often, depending on dryer usage.
- Keep area around dryer clear and free from combustible materials, gasoline and other flammable vapors and liquids.
- Keep dryer area clear and free from items that would obstruct the flow of combustion and ventilation air.

If dryer does not operate, check the following:

- Electrical supply is connected.
- Circuit breaker is not tripped or house fuse is not blown.
- Door is closed.
- Controls are set in a running or "ON" position.
- Cycle has been selected.
- For gas dryers, check that gas supply shutoff valves are set in open position.

If you need assistance:

The Commercial Laundry Support Center will answer any questions about operating or maintaining your dryer not covered in the Installation Instructions. Just dial 1-800 NO BELTS (1-800-662-3587) — the call is toll free.

When you call, you will need the dryer model number and serial number. Both numbers can be found on the serial-rating plate located in the dryer door well.

MAYTAG COMMERCIAL WASHER, DRYER, STACKED DRYER/ DRYER, COMMERCIAL STACK LAUNDRY, AND MULTI-LOAD COIN OPERATED COMMERCIAL WASHERS AND DRYERS WARRANTY

LIMITED WARRANTY ON PARTS

For the first five years from the date of purchase, when this commercial appliance is installed, maintained and operated according to the instructions attached to or furnished with the product, Maytag brand of Whirlpool Corporation (hereafter "Maytag") will pay for factory specified parts or original equipment manufacturer parts to correct defects in materials or workmanship. Proof of original purchase date is required to obtain service under this warranty.

ITEMS MAYTAG WILL NOT PAY FOR

1. All other costs including labor, transportation, or custom duties.
 2. Service calls to correct the installation of your commercial appliance, to instruct you how to use your commercial appliance, to replace or repair fuses, or to correct external wiring or plumbing.
 3. Repairs when your commercial appliance is used for other than normal, commercial use.
 4. Damage resulting from improper handling of product during delivery, theft, accident, alteration, misuse, abuse, fire, flood, acts of God, improper installation, installation not in accordance with local electrical or plumbing codes, or use of products not approved by Maytag.
 5. Pickup and Delivery. This commercial appliance is designed to be repaired on location.
 6. Repairs to parts or systems resulting from unauthorized modifications made to the commercial appliance.
 7. The removal and reinstallation of your commercial appliance if it is installed in an inaccessible location or is not installed in accordance with published installation instructions.
 8. Chemical damage is excluded from all warranty coverage.
 9. Changes to the building, room, or location needed in order to make the commercial appliance operate correctly.
-

DISCLAIMER OF IMPLIED WARRANTIES; LIMITATIONS OF REMEDIES

CUSTOMER'S SOLE AND EXCLUSIVE REMEDY UNDER THIS LIMITED WARRANTY SHALL BE PRODUCT REPAIR AS PROVIDED HEREIN. IMPLIED WARRANTIES, INCLUDING WARRANTIES OF MERCHANTABILITY OR FITNESS FOR A PARTICULAR PURPOSE, ARE LIMITED TO ONE YEAR OR THE SHORTEST PERIOD ALLOWED BY LAW. WHIRLPOOL SHALL NOT BE LIABLE FOR INCIDENTAL OR CONSEQUENTIAL DAMAGES. SOME STATES AND PROVINCES DO NOT ALLOW THE EXCLUSION OR LIMITATION OF INCIDENTAL OR CONSEQUENTIAL DAMAGES, OR LIMITATIONS ON THE DURATION OF IMPLIED WARRANTIES OF MERCHANTABILITY OR FITNESS, SO THESE EXCLUSIONS OR LIMITATIONS MAY NOT APPLY TO YOU. THIS WARRANTY GIVES YOU SPECIFIC LEGAL RIGHTS AND YOU MAY ALSO HAVE OTHER RIGHTS, WHICH VARY FROM STATE TO STATE OR PROVINCE TO PROVINCE.

If you need service, please contact your authorized Maytag Commercial Laundry distributor. To locate your authorized Maytag Commercial Laundry distributor, or for web inquiries, visit www.MaytagCommercialLaundry.com.

9/07

For written correspondence:

Maytag Commercial Laundry Service Department
2000 M-63 North
Benton Harbor, Michigan 49085 USA

SÉCURITÉ DE LA SÈCHEUSE

Votre sécurité et celle des autres est très importante.

Nous donnons de nombreux messages de sécurité importants dans ce manuel et sur votre appareil ménager. Assurez-vous de toujours lire tous les messages de sécurité et de vous y conformer.



Voici le symbole d'alerte de sécurité.

Ce symbole d'alerte de sécurité vous signale les dangers potentiels de décès et de blessures graves à vous et à d'autres.

Tous les messages de sécurité suivront le symbole d'alerte de sécurité et le mot "DANGER" ou "AVERTISSEMENT". Ces mots signifient :

⚠ DANGER

Risque possible de décès ou de blessure grave si vous ne suivez pas immédiatement les instructions.

⚠ AVERTISSEMENT

Risque possible de décès ou de blessure grave si vous ne suivez pas les instructions.

Tous les messages de sécurité vous diront quel est le danger potentiel et vous disent comment réduire le risque de blessure et ce qui peut se produire en cas de non-respect des instructions.

- On recommande que le propriétaire place les instructions à l'usage du client à un endroit bien visible, pour le cas où le client percevrait une odeur de gaz. Ces renseignements doivent être obtenus auprès de votre fournisseur de gaz.
- Placer l'avertissement qui suit à un endroit bien visible.

POUR VOTRE SÉCURITÉ

Ne pas entreposer ni utiliser de l'essence ou d'autres produits liquides ou gazeux inflammables à proximité de cet appareil ou de tout autre appareil électroménager.

AVERTISSEMENT : Pour votre sécurité, les renseignements dans ce manuel doivent être observés pour réduire au minimum les risques d'incendie ou d'explosion ou pour éviter des dommages au produit, des blessures ou un décès.

- Ne pas entreposer ou utiliser de l'essence ou d'autres vapeurs ou liquides inflammables à proximité de cet appareil ou de tout autre appareil électroménager.
- QUE FAIRE DANS LE CAS D'UNE ODEUR DE GAZ :
 - Ne pas tenter d'allumer un appareil.
 - Ne pas toucher à un commutateur électrique; ne pas utiliser le téléphone se trouvant sur les lieux.
 - Évacuer tous les gens de la pièce, de l'édifice ou du quartier.
 - Appeler immédiatement le fournisseur de gaz d'un téléphone voisin. Suivre ses instructions.
 - À défaut de joindre votre fournisseur de gaz, appeler les pompiers.
- L'installation et l'entretien doivent être effectués par un installateur qualifié, une agence de service ou le fournisseur de gaz.

AVERTISSEMENT : L'odorat ne permet pas toujours la détection d'une fuite de gaz.

Les distributeurs de gaz recommandent l'emploi d'un détecteur de gaz (homologation UL ou CSA).

Pour d'autre information, contacter le fournisseur de gaz local.

En cas de détection d'une fuite de gaz, exécuter les instructions "Que faire dans le cas d'une odeur de gaz".

IMPORTANTES INSTRUCTIONS DE SÉCURITÉ

AVERTISSEMENT : Pour réduire le risque d'incendie, de choc électrique ou de blessure lors de l'utilisation de la sècheuse, il convient d'observer certaines précautions élémentaires dont les suivantes :

- Lire toutes les instructions avant d'utiliser la sècheuse.
- Ne pas placer des articles exposés aux huiles de cuisson dans votre sècheuse. Les articles contaminés par des huiles de cuisson peuvent contribuer à une réaction chimique qui pourrait causer à la charge de s'enflammer.
- Ne pas faire sécher dans la machine des articles qui ont déjà été nettoyés, lavés, imbibés, ou tachés d'essence, de solvants pour nettoyage à sec, d'autres substances inflammables, ou de substances explosives puisqu'elles dégagent des vapeurs qui peuvent provoquer un incendie ou une explosion.
- Ne pas permettre à des enfants de jouer sur ou à l'intérieur de la sècheuse. Une surveillance étroite est nécessaire lorsque la sècheuse est utilisée près d'eux.
- Avant d'enlever la sècheuse du service ou la jeter, enlever la porte du compartiment de séchage.
- Ne pas mettre la main dans la sècheuse si le tambour est en mouvement.
- Ne pas installer ni entreposer la sècheuse où elle sera exposée aux intempéries.
- Ne pas jouer avec les commandes.
- Ne pas réparer ni remplacer une pièce de la sècheuse ou essayer d'en faire l'entretien à moins d'une recommandation spécifique dans le guide d'utilisation et d'entretien, ou publiée dans les instructions de réparation par l'utilisateur que vous comprenez et pouvez exécuter avec compétence.
- Ne pas utiliser un produit assouplissant de tissu ou des produits pour éliminer la statique à moins qu'ils ne soient recommandés par le fabricant du produit assouplissant de tissu ou du produit.
- Ne pas utiliser la chaleur pour faire sécher des articles fabriqués avec du caoutchouc mousse ou des matériaux semblables.
- Nettoyer le filtre à charpie avant et après chaque charge.
- Ne pas laisser la charpie, la poussière, ou la saleté s'accumuler autour du système d'évacuation ou autour de l'appareil.
- Un nettoyage périodique de l'intérieur de la sècheuse et du conduit d'évacuation doit être effectué par une personne qualifiée.
- Voir les instructions d'installation pour les exigences de liaison de l'appareil à la terre.

CONSERVEZ CES INSTRUCTIONS

IMPORTANT : L'installation du gaz doit se conformer aux codes locaux, ou en l'absence de codes locaux, au code canadien d'installation B149.1 du gaz naturel ou du propane.

La sècheuse doit être électriquement reliée à la terre conformément aux codes locaux, ou en l'absence de codes locaux, au Code canadien de l'électricité, CSA C22.1.

EXIGENCES D'INSTALLATION

Outillage et pièces

Rassembler les outils et pièces nécessaires avant de commencer l'installation. Lire et respecter les instructions d'installation fournies avec chacun des outils de cette liste.

Outillage nécessaire

- Clé à tube de 8" ou 10"
- Clé à molette de 8" ou 10"
- Tournevis à lame plate
- Tournevis Phillips
- Clé à molette avec ouverture jusqu'à 1" (2,5 cm) ou clé à douille hexagonale de 1" (25 mm)
- Tournevis de sécurité TORX® T-20
- Niveau
- Clé à douille de 5/16"
- Brides de fixation
- Composé d'étanchéité des raccords filetés - résistant au propane
- Pistolet à calfeutrage et composé de calfeutrage (pour l'installation d'un nouveau circuit d'évacuation)
- Pince
- Couteau à mastic

Pièces fournies

Retirer le sac de pièces du tambour de la sécheuse. Vérifier la présence de toutes les pièces.

- Vis cannelées de 10-32 x 5/16 po (4)
- Goupille fendue (2)

- Veiller à ce que les bords inférieurs de la caisse ainsi que l'arrière et les côtés inférieurs de la sécheuse soient exempts d'obstructions, afin de permettre le passage adéquat de l'air de combustion. Voir la section "Instructions pour l'installation dans un encastrement" pour l'espace de dégagement minimal.

REMARQUE :

- La sécheuse ne doit pas être installée en un endroit où elle serait exposée à de l'eau ou aux intempéries.
- Cette sécheuse ne doit pas être installée dans un placard muni d'une porte.

Instructions pour l'installation dans un encastrement

Cette sécheuse peut être installée dans un encastrement. Les distances de séparation minimales sont mentionnées à l'arrière de la sécheuse.

Le circuit d'évacuation de la sécheuse doit être relié à l'extérieur.

Exigences d'emplacement

AVERTISSEMENT



Risque d'explosion

Garder les matières et les vapeurs inflammables, telle que l'essence, loin de la sécheuse.

Ne pas installer dans un garage.

Le non-respect de ces instructions peut causer un décès, une explosion ou un incendie.

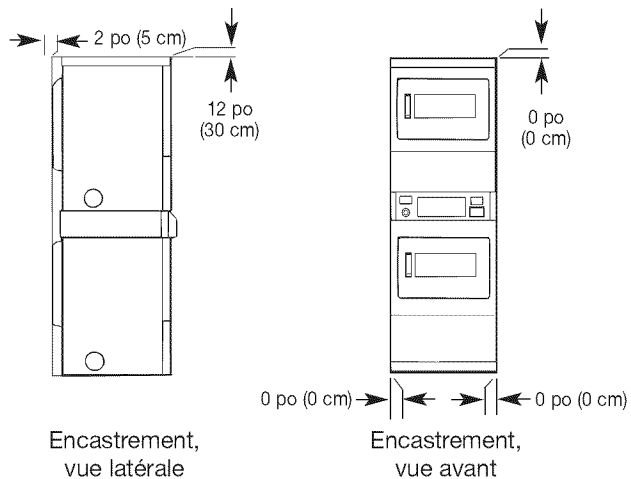
Pour l'installation d'une sécheuse à gaz :

IMPORTANT : Respecter les dispositions de tous les codes et règlements en vigueur.

- Déterminer les exigences des codes : Certains codes limitent ou prohibent l'installation d'une sécheuse dans un placard ou une chambre à coucher. Consulter l'inspecteur local des bâtiments.

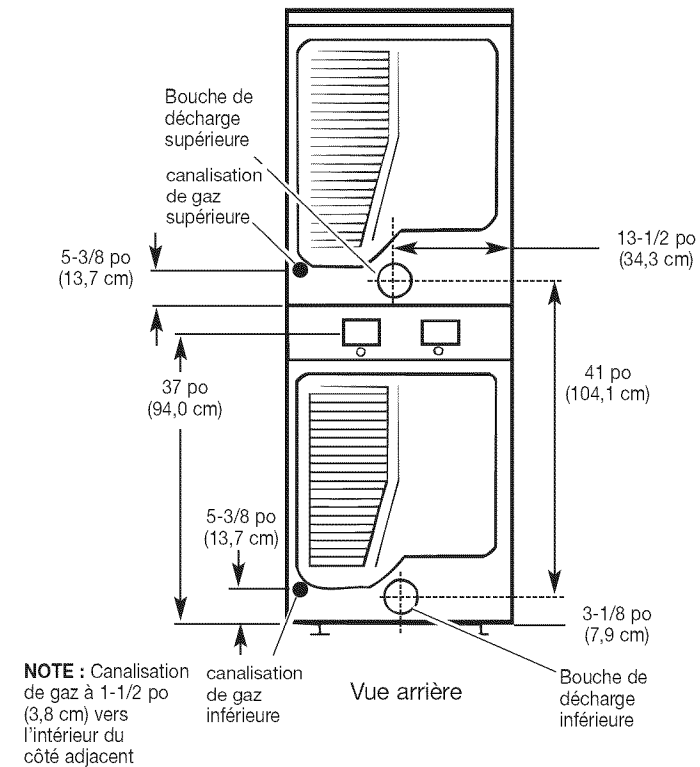
Distances de séparation minimales

	Arrière	Côtés	Dessus	Avant
Encastré	2 po (5 cm)	0 po (0 cm)	12 po (30 cm)	—

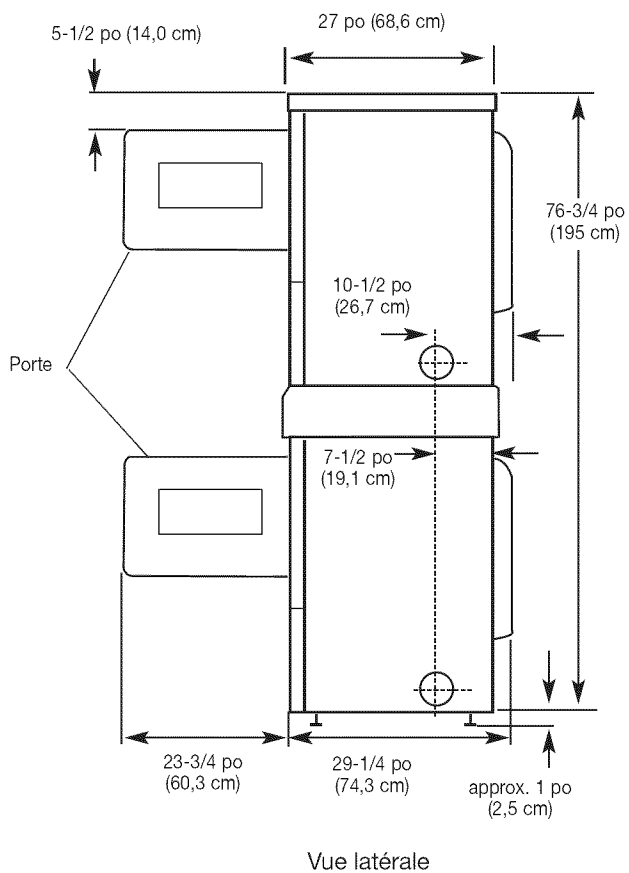


On doit prévoir un espacement additionnel pour tenir compte éventuellement des moulures du mur, de la porte et du plancher, ou si le circuit d'évacuation comporte un coude.

Dimensions du produit



NOTE : Canalisation de gaz à 1-1/2 po (3,8 cm) vers l'intérieur du côté adjacent



⚠ AVERTISSEMENT



Risque de choc électrique

Brancher sur une prise à 3 alvéoles reliée à la terre.

Ne pas enlever la broche de liaison à la terre.

Ne pas utiliser un adaptateur.

Ne pas utiliser un câble de rallonge.

Le non-respect de ces instructions peut causer un décès, un incendie ou un choc électrique.

IMPORTANT : La sècheuse doit être électriquement reliée à la terre conformément aux prescriptions des codes et règlements locaux; en l'absence de code local, respecter les prescriptions du code national en vigueur : National Electrical Code, ANSI/NFPA 70 (édition la plus récente), ou Code canadien de l'électricité, CSA C22.1.

Si un conducteur distinct de liaison à la terre est utilisé (lorsque le code en vigueur le permet), on recommande qu'un électricien qualifié vérifie la qualité de la liaison à la terre.

On peut obtenir un exemplaire du code national en vigueur à l'adresse suivante :

National Fire Protection Association
One Batterymarch Park, Quincy, MA 02269

CSA International
8501 East Pleasant Valley Road
Cleveland, Ohio 44131-5575

- L'appareil doit être alimenté par un circuit électrique de 120 V (CA seulement), 60 Hz, protégé par un fusible de 15 A. On recommande l'emploi d'un fusible temporisé ou d'un disjoncteur. Il est également recommandé d'utiliser un circuit séparé pour la sècheuse.

Méthode recommandée de liaison à la terre

Après l'installation, la sècheuse doit être électriquement reliée à la terre conformément aux prescriptions des codes et règlements locaux; en l'absence de code local, respecter les prescriptions du code national en vigueur : National Electrical Code, ANSI/NFPA 70 (édition la plus récente), ou Code canadien de l'électricité, CSA C22.1, ainsi que celles des codes et règlements locaux.

INSTRUCTIONS DE LIAISON À LA TERRE

- Pour une sècheuse reliée à la terre et connectée par un cordon :
Cette sècheuse doit être reliée à la terre. En cas de mauvais fonctionnement ou de panne, la liaison à la terre réduira le risque de choc électrique en offrant au courant électrique un acheminement d'évacuation de moindre résistance. Cette sècheuse est alimentée par un cordon électrique comportant un conducteur relié à la terre et une fiche de branchement munie d'une broche de liaison à la terre. La fiche doit être branchée sur une prise appropriée qui est bien installée et reliée à la terre conformément à tous les codes et règlements locaux.

AVERTISSEMENT : Le raccordement incorrect de cet appareil au conducteur de liaison à la terre peut susciter un risque de choc électrique. En cas de doute quant à la qualité de liaison à la terre de la sècheuse, consulter un électricien ou un technicien ou un personnel qualifié. Ne pas modifier la fiche de branchement fournie avec la sècheuse; si la fiche ne correspond pas à la configuration de la prise de courant, demander à un électricien qualifié d'installer une prise de courant appropriée.

CONSERVEZ CES INSTRUCTIONS

Spécifications électriques — sècheuse électrique (É.-U. uniquement)

IMPORTANT : La sècheuse doit être électriquement reliée à la terre conformément aux prescriptions des codes et règlements locaux; en l'absence de code local, respecter les prescriptions du code national en vigueur : National Electrical Code, ANSI/NFPA 70 (édition la plus récente), ou Code canadien de l'électricité, CSA C22.1.

Le National Electrical Code exige une alimentation électrique à 4 conducteurs pour les maisons construites après 1996, les circuits de sècheuse concernés par le remodelage après 1996, et toutes les installations de maisons mobiles.

Si un conducteur distinct de liaison à la terre est utilisé (lorsque le code en vigueur le permet), on recommande qu'un électricien qualifié vérifie la qualité de la liaison à la terre.

On peut obtenir un exemplaire du code national en vigueur à l'adresse suivante :

National Fire Protection Association
One Batterymarch Park, Quincy, MA 02269

CSA International
8501 East Pleasant Valley Road
Cleveland, Ohio 44131-5575

- Aux É.-U. : L'appareil doit être alimenté par un circuit indépendant monophasé à quatre conducteurs ou trois conducteurs, 120/240 V, 60 Hz, CA seulement (ou un circuit 120/208 V à trois ou quatre conducteurs si ceci est spécifié sur la plaque signalétique); chaque conducteur de phase du circuit doit être protégé par un fusible 30 A; on recommande l'emploi de disjoncteurs ou de fusibles temporisés.
- Au Canada : L'appareil doit être alimenté par un circuit indépendant monophasé à quatre conducteurs, 115/230 V, 60 Hz; chaque conducteur de phase du circuit doit être protégé par un fusible 30 A; on recommande l'emploi de disjoncteurs ou fusibles temporisés.

Méthode recommandée de liaison à la terre

- Aux É.-U. : C'est au client qu'incombe la responsabilité de contacter un électricien qualifié qui pourra déterminer si l'installation électrique est adéquate et conforme aux prescriptions du National Electrical Code, ANSI/NFPA 70 (édition la plus récente) et à tous les codes et règlements locaux en vigueur.
- Au Canada : C'est au client qu'incombe la responsabilité d'installer la sécheuse conformément aux prescriptions de la norme CSA C22.1 (Code canadien de l'électricité), aux codes d'installation et à tous les codes nationaux et locaux applicables.

Les modèles vendus au Canada sont équipés d'un cordon d'alimentation flexible à quatre conducteurs (30 A). La fiche du cordon d'alimentation doit être branchée sur une prise de courant 30 A de même configuration.

INSTRUCTIONS DE LIAISON À LA TERRE

- Pour une sécheuse reliée à la terre et connectée par un cordon :
Cette sécheuse doit être reliée à la terre. En cas de mauvais fonctionnement ou de panne, la liaison à la terre réduira le risque de choc électrique en offrant au courant électrique un acheminement d'évacuation de moindre résistance. Cette sécheuse est alimentée par un cordon électrique comportant un conducteur relié à la terre et une fiche de branchement munie d'une broche de liaison à la terre. La fiche doit être branchée sur une prise appropriée qui est bien installée et reliée à la terre conformément à tous les codes et règlements locaux.
- Pour une sécheuse raccordée en permanence :
Cette sécheuse doit être raccordée à un système de câblage permanent en métal relié à la terre ou un conducteur relié à la terre doit être en fonction avec les conducteurs de circuit et raccordé à la borne de liaison à la terre ou la borne sur la sécheuse.

AVERTISSEMENT : Le raccordement incorrect de cet appareil au conducteur de liaison à la terre peut susciter un risque de choc électrique. En cas de doute quant à la qualité de liaison à la terre de la sécheuse, consulter un électricien ou un technicien ou un personnel qualifié. Ne pas modifier la fiche de branchement fournie avec la sécheuse; si la fiche ne correspond pas à la configuration de la prise de courant, demander à un électricien qualifié d'installer une prise de courant appropriée.

CONSERVEZ CES INSTRUCTIONS

⚠ AVERTISSEMENT



Risque d'explosion

Utiliser une canalisation neuve d'arrivée de gaz approuvée par la CSA International.

Installer un robinet d'arrêt.

Bien serrer chaque organe de connexion de la canalisation de gaz.

En cas de connexion au gaz propane, demander à une personne qualifiée de s'assurer que la pression de gaz ne dépasse pas 36 cm (14 po) de la colonne d'eau.

Par personne qualifiée, on comprend :

le personnel autorisé de chauffage, le personnel autorisé d'une compagnie de gaz, et le personnel d'entretien autorisé.

Le non-respect de ces instructions peut causer un décès, une explosion ou un incendie.

IMPORTANT : Respecter les dispositions de tous les codes et règlements en vigueur.

L'installation doit satisfaire aux critères de tous les codes et règlements locaux. En l'absence de code local, l'installation doit satisfaire aux prescriptions du National Fuel Gas Code ANSI Z223.1/NFPA 54 (American National Standard) ou CAN/CSA B149.

On peut obtenir un exemplaire du code national en vigueur à l'adresse suivante :

National Fire Protection Association
One Batterymarch Park, Quincy, MA 02269

CSA International
8501 East Pleasant Valley Road
Cleveland, Ohio 44131-5575

La conception de cette sécheuse a été homologuée par CSA International pour l'utilisation jusqu'à une altitude de 10 000 pi (3048 m) au-dessus du niveau de la mer, pour le débit thermique indiqué sur la plaque signalétique. Aucun réglage du brûleur n'est nécessaire lorsque la sécheuse est utilisée à une altitude inférieure à cette valeur maximale.

Si la sécheuse doit être utilisée à une altitude supérieure à 10 000 pi (3048 m), on doit réduire de 4 % le débit thermique du brûleur indiqué sur la plaque signalétique pour chaque tranche de 1000 pi (305 m) d'augmentation de l'altitude. Consulter votre compagnie de service locale pour obtenir de l'aide lors de la conversion à d'autres types de gaz et/ou de l'installation de la sécheuse à une altitude supérieure à 10 000 pi (3048 m).

Type de gaz

La sécheuse est équipée pour l'alimentation au gaz naturel. Elle est homologuée par CSA International pour l'alimentation avec des gaz de pétrole liquéfiés (propane et butane), après conversion appropriée. Ne pas entreprendre de convertir l'appareil pour l'utilisation d'un gaz différent de celui indiqué sur la plaque signalétique sans d'abord consulter le fournisseur de gaz. Un technicien qualifié doit effectuer la conversion. Les numéros des pièces nécessaires pour la conversion sont mentionnés sur la base de la valve du brûleur.

Canalisation de gaz

Méthode recommandée

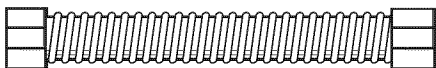
- Installer une canalisation de gaz rigide de 1/2" (IPS) jusqu'à l'emplacement d'installation de la sécheuse. On doit utiliser un composé d'étanchéité des tuyauteries résistant à l'action du gaz de pétrole liquéfié. Ne pas utiliser de ruban TEFLON[†]. Pour l'alimentation au propane, le diamètre des canalisations doit être de 1/2" (IPS) ou plus. Usuellement le fournisseur de gaz propane détermine les matériaux à utiliser et le diamètre approprié.

Autre méthode

- La canalisation de gaz peut également être connectée au moyen d'un tube homologué en aluminium ou en cuivre de 3/8". Si la longueur totale de la canalisation de gaz excède 20 pi (6,1 m), un tuyau de plus gros diamètre sera nécessaire. Dans le cas de l'alimentation au gaz naturel, ne pas utiliser de tuyau en cuivre. Assurer l'étanchéité des connexions avec un composé d'étanchéité résistant au propane.

Connecteur en métal souple pour appareil ménager :

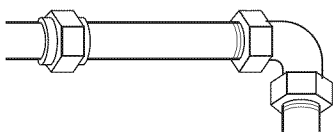
- Il est recommandé d'utiliser une canalisation en acier inoxydable souple et neuve, conception homologuée par CSA International, pour raccorder la sécheuse à la conduite d'alimentation en gaz. (La canalisation d'arrivée de gaz sortant à l'arrière/le bas de la sécheuse est dotée d'un filetage mâle de 3/8").



- Ne pas déformer ni endommager la canalisation de gaz en acier inoxydable souple lorsque vous déplacez la sécheuse.

Connexion du tuyau rigide :

La connexion du tuyau rigide nécessite une combinaison de raccords pour obtenir une connexion de la sécheuse en ligne.

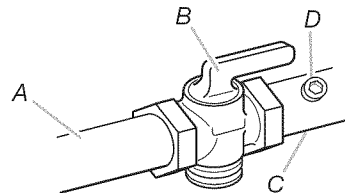


■ Robinet d'arrêt nécessaire :

Conformément aux prescriptions du National Fuel Gas Code, ANSI Z223.1 aux É.-U., on doit installer un robinet d'arrêt manuel sur la canalisation d'alimentation, à moins de 6 pi (1,8 m) de la sécheuse. Au Canada, le robinet d'arrêt manuel doit être installé conformément aux prescriptions des codes d'installation B149 – CAN/CGA B149.1 et CAN/CGA B149.2. Le robinet d'arrêt doit être situé dans la même pièce que la

sécheuse. Il doit se trouver à un emplacement qui permet une ouverture et une fermeture faciles. Ne pas bloquer l'accès au robinet d'arrêt. Le robinet est destiné à alimenter/couper l'alimentation en gaz de la sécheuse.

- A. Canalisation d'arrivée de gaz
- B. Robinet d'arrêt - position d'ouverture
- C. Vers la sécheuse
- D. Raccord de 1/8" NPT minimal



■ Installation dans un espace confiné :

Si la sécheuse est installée dans un espace réduit comme une salle de bain ou un placard, on doit prévoir une arrivée d'air appropriée pour la combustion et la ventilation. Consulter les codes et règlements en vigueur, ou voir "Instructions pour l'installation dans un encastrement ou un placard" de la section "Exigences d'emplacement".

Tests de pressurisation de la canalisation de gaz

Un raccord de 1/8," NPT minimal, accessible pour le raccordement d'un manomètre de test, doit être installé immédiatement en amont du robinet d'arrêt de gaz de la sécheuse.

Lors de tout test de pressurisation du système à une pression de test supérieure à 1/2 lb/po² rel., la sécheuse doit être déconnectée de la canalisation d'arrivée de gaz.

Exigences concernant l'évacuation

⚠ AVERTISSEMENT



Risque d'incendie

Utiliser un conduit d'évacuation en métal lourd.

Ne pas utiliser un conduit d'évacuation en plastique.

Ne pas utiliser un conduit d'évacuation en feuille de métal.

Le non-respect de ces instructions peut causer un décès ou un incendie.

AVERTISSEMENT : Pour réduire le risque d'incendie, cette sécheuse DOIT ÉVACUER L'AIR À L'EXTÉRIEUR.

- L'évent de la sécheuse ne doit pas être connecté à un conduit d'évacuation de gaz, une cheminée, un mur, un plafond, ou un vide de construction.
- Ne pas utiliser un clapet d'évacuation à fermeture magnétique.
- Ne pas installer le conduit métallique flexible dans les cavités fermées des murs, plafonds, ou planchers.

†@TEFLON est une marque déposée de E.I. Du Pont De Nemours et Compagnie.

- Utiliser un conduit d'évacuation en métal lourd de 4" (10,2 cm) et des brides de fixation.
- Utiliser des brides de fixation pour sceller tous les joints. L'évent ne doit pas être connecté ou fixé à la sècheuse avec des vis. Ne pas utiliser de ruban adhésif en toile.

IMPORTANT : Respecter les dispositions de tous les codes et règlements en vigueur.

Utiliser un conduit d'évacuation en métal lourd. Ne pas utiliser un conduit de plastique ou en feuille métallique.

On recommande d'utiliser un conduit métallique rigide pour réduire les risques d'écrasement et de déformation.

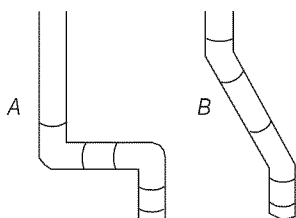
Un conduit métallique flexible doit être totalement déployé et soutenu lorsque la sècheuse est à sa position finale. Enlever tout excès de conduit flexible pour éviter tout affaissement/déformation susceptible de réduire le débit d'air et le rendement de la sècheuse.

Terminer le conduit d'évacuation par un clapet de décharge pour empêcher les rongeurs et insectes d'entrer dans l'habitation ou l'entreprise.

Le clapet de décharge doit être situé à au moins 12" (30,5 cm) au-dessus du sol ou de tout autre objet susceptible de se trouver sur le trajet de l'air humide rejeté (par exemple, fleurs, roches ou arbustes).

Lors de l'utilisation d'un circuit d'évacuation existant, nettoyer la charpie sur toute la longueur du système et veiller à ce que la bouche de décharge ne soit pas obstruée par une accumulation de charpie. Remplacer tout conduit de plastique ou de feuille métallique mince par un conduit métallique flexible ou rigide.

Planifier l'installation pour introduire le nombre minimal de coudes et de changements de direction.



Débit d'évacuation

A. Bon débit d'évacuation

B. Meilleur débit d'évacuation

Si des coudes sont utilisés ou des changements de direction effectués, prévoir autant d'espace que possible. Plier le conduit graduellement pour éviter de le déformer.

La bouche de sortie est située à l'arrière de la sècheuse, en bas/au centre.

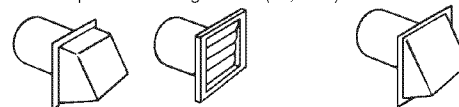
On peut acheminer le conduit d'évacuation par le haut, par le bas, par la gauche, par la droite, derrière la sècheuse, ou en ligne droite depuis l'arrière de la sècheuse.

Longueur du circuit d'évacuation

La longueur maximale du circuit d'évacuation dépend du type de conduit utilisé, du nombre de coudes, et du type de bouche de décharge. La longueur maximale pour le circuit de conduit rigide est indiquée dans le tableau ci-après.

Longueur maximale du conduit

Clapet de décharge de 4" (10,2 cm) de diamètre



Conduit métallique rigide

Nombre d'angles à 90°	Clapets de type boîte et à persiennes	Clapet incliné
0	130 pi (39,6 m)	129 pi (39,3 m)
1	125 pi (38,1 m)	119 pi (36,3 m)
2	115 pi (35,1 m)	109 pi (33,2 m)
3	106 pi (32,3 m)	100 pi (30,5 m)
4	98 pi (29,9 m)	92 pi (28,0 m)

Pour un circuit d'évacuation qui n'est pas couvert par le tableau, consulter votre marchand de pièces.

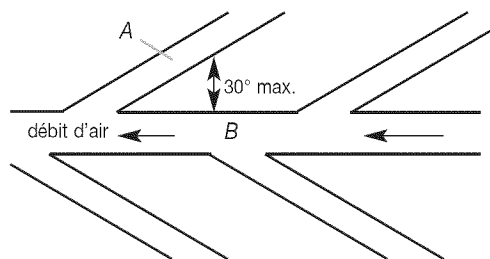
Si la sècheuse est installée dans un espace réduit tel qu'une chambre à coucher ou une salle de bain, on doit prévoir une arrivée d'air en quantité suffisante pour la combustion et la ventilation. (Consulter les codes et règlements en vigueur.) Voir "Instructions pour l'installation dans un encastrement" de la section "Exigences d'emplacement".

Évacuation multiple de la sècheuse

- Un conduit d'évacuation principal peut être utilisé pour un groupe de sècheuses. Le conduit d'évacuation principal devrait être d'un diamètre suffisant pour évacuer 200 pi³/min d'air par sècheuse. Des filtres à charpie de forte capacité et de conception adéquate peuvent être utilisés dans le conduit principal d'évacuation s'ils sont inspectés et nettoyés fréquemment. La pièce où se trouvent les sècheuses devrait recevoir un apport d'air de débit égal ou supérieur au débit total (pi³/min) de toutes les sècheuses installées dans la pièce.
- Des ensembles antirefoulement, n° de pièce 3391910, sont disponibles chez votre marchand et devraient être installés dans le conduit d'évacuation de chaque sècheuse pour empêcher l'air évacué de retourner dans les sècheuses et pour maintenir une pression équilibrée dans le conduit principal d'évacuation. Des orifices de passage d'air non obstrués sont requis.

Chaque conduit d'évacuation devrait pénétrer dans le conduit principal à un angle pointant dans la direction du débit d'air. Les conduits raccordés au conduit principal de part et d'autre devraient être disposés en quinconce pour que l'air évacué par une sècheuse ne puisse perturber l'évacuation d'une autre sècheuse.

L'angle maximal entre le conduit connecté à une sècheuse et le conduit principal ne devrait pas dépasser 30°.

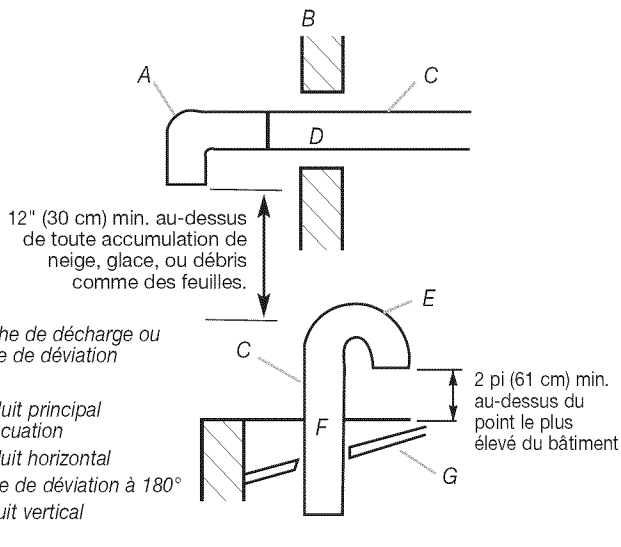


A. Conduit d'évacuation individuel de la sècheuse
B. Conduit principal d'évacuation

Faire en sorte que les vapeurs générées par les liquides de nettoyage à sec ne puissent pas atteindre les orifices d'entrée d'air; ces vapeurs créent des composés acides qui, lorsqu'ils sont attirés vers les unités de chauffage des sècheuses, peuvent endommager les sècheuses et le linge en cours de séchage.

Une bouche de nettoyage devrait être installée dans le conduit principal d'évacuation pour les nettoyages périodiques du système d'évacuation.

Si une bouche de décharge ne peut être utilisée :



A. Bouche de décharge ou coude de déviation
B. Mur
C. Conduit principal d'évacuation
D. Conduit horizontal
E. Coude de déviation à 180°
F. Conduit vertical
G. Toit

L'extrémité extérieure du conduit principal devrait être munie d'un coude de déviation dirigé vers le bas. Si le conduit principal suit une trajectoire verticale à travers le toit, plutôt qu'à travers le mur, installer un coude de déviation de 180° à l'extrémité du conduit et dépassant d'au moins 2 pi (61 cm) au-dessus de la partie la plus élevée du bâtiment. L'ouverture murale ou dans le toit doit avoir un diamètre supérieur de 1/2" (1,3 cm) à celui du conduit d'évacuation. Le conduit d'évacuation devrait être centré dans l'ouverture.

Ne pas installer une grille ou un couvercle à l'extrémité du conduit d'évacuation.

INSTRUCTIONS D'INSTALLATION - SÈCHEUSE À GAZ

Raccordement à la canalisation de gaz

AVERTISSEMENT

Risque du poids excessif

Utiliser deux ou plus de personnes pour déplacer et installer la sècheuse.

Le non-respect de cette instruction peut causer une blessure au dos ou d'autre blessure.

1. Retirer le capuchon rouge de la canalisation de gaz.
2. Raccorder la canalisation de gaz à la sècheuse. Utiliser un composé d'étanchéité compatible avec le gaz propane. Si un conduit métallique flexible est utilisé, vérifier qu'il n'est pas déformé.
Si cela est nécessaire à l'entretien, ouvrir le panneau de plinthe. Utiliser un couteau à mastic pour appuyer sur le verrou du panneau de plinthe situé dans les coins supérieures du panneau de plinthe. Tirer le panneau de plinthe vers le bas pour l'ouvrir. Le panneau de plinthe est fixé à la partie inférieure.
3. Ouvrir le robinet d'arrêt de la canalisation d'arrivée de gaz.
4. Vérifier tous les raccords en les badigeonnant d'une solution de détection des fuites non corrosive approuvée. L'apparition de bulles indique une fuite. Réparer toute fuite éventuelle.

Raccordement du conduit d'évacuation

1. À l'aide d'une bride de fixation de 4" (10,2 cm), relier le conduit d'évacuation à la bouche d'évacuation de la sècheuse. Si on utilise le conduit d'évacuation existant, s'assurer qu'il est propre. Le conduit d'évacuation de la sècheuse doit être fixé sur la bouche d'évacuation de la sècheuse et dans le clapet d'évacuation. S'assurer que le conduit d'évacuation est fixé au clapet d'évacuation à l'aide d'une bride de fixation de 4" (10,2 cm).
2. Avec l'aide d'au moins deux autres personnes, déplacer la sècheuse à l'emplacement final désiré. Ne pas écraser ni déformer le conduit d'évacuation. Vérifier que la sècheuse est de niveau.
3. Vérifier que la canalisation souple de gaz n'est pas déformée.

Achever l'installation

1. Une fois la sècheuse à son emplacement final, placer un niveau sur le sommet de la sècheuse, transversalement, puis dans le sens avant arrière. Si la sècheuse n'est pas d'aplomb, ajuster les pieds pour modifier la hauteur et établir un bon aplomb de la sècheuse.

AVERTISSEMENT



Risque de choc électrique

Brancher sur une prise à 3 alvéoles reliée à la terre.

Ne pas enlever la broche de liaison à la terre.

Ne pas utiliser un adaptateur.

Ne pas utiliser un câble de rallonge.

Le non-respect de ces instructions peut causer un décès, un incendie ou un choc électrique.

2. À l'aide d'un tournevis de sécurité Torx T20, ouvrir le tableau de commande et le faire reposer sur le bord inférieur de l'ouverture.
3. Pour plus de sécurité entre la partie supérieure de la sècheuse et la bague, insérer l'épingle à goupille fendue dans le boulon d'assemblage.
4. Fermer le tableau de commande.
5. Brancher sur une prise à 3 alvéoles reliée à la terre.
6. Contrôler le bon fonctionnement de la sècheuse:
Sélectionner un programme complet avec chaleur, laisser la sècheuse fonctionner pendant au moins cinq minutes. Elle s'arrête lorsque la durée est écoulée.
REMARQUE : La porte de la sècheuse doit être fermée pour que l'appareil fonctionne. Lorsque la porte est ouverte, la sècheuse s'arrête, mais le compte à rebours de la durée se poursuit. Pour remettre la sècheuse en marche, fermer la porte et resélectionner un programme.
7. Si on ne perçoit aucune chaleur à l'intérieur de la sècheuse et si le brûleur ne s'allume pas, arrêter la sècheuse pendant cinq minutes. Vérifier que tous les robinets de la canalisation d'alimentation sont ouverts et que le cordon d'alimentation électrique est branché. Répéter le test de cinq minutes de fonctionnement.

INSTRUCTIONS D'INSTALLATION - SÈCHEUSE ÉLECTRIQUE

Raccordement électrique

AVERTISSEMENT

Risque du poids excessif

Utiliser deux ou plus de personnes pour déplacer et installer la sècheuse.

Le non-respect de cette instruction peut causer une blessure au dos ou d'autre blessure.

nouvelle installation avec alimentation par un circuit secondaire, (2) résidence mobile, (3) véhicule récréatif et (4) juridictions dans lesquelles les codes locaux interdisent la liaison à la terre par l'intermédiaire des conducteurs neutres.

AVERTISSEMENT



Risque d'incendie

Utiliser un cordon d'alimentation électrique neuf homologué UL de 30 ampères.

Utiliser un réducteur de tension homologué UL.

Déconnecter la source de courant électrique avant de réaliser les connexions électriques.

Connecter le conducteur neutre (blanc ou conducteur central) à la borne centrale (argent).

Le conducteur de liaison à la terre (vert ou nu) doit être relié au connecteur vert de liaison à la terre.

Connecter les 2 conducteurs d'alimentation restants aux 2 bornes (or) restantes.

Bien serrer chaque organe de connexion du branchement électrique.

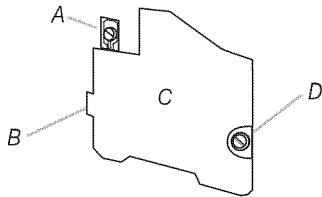
Le non-respect de cette instruction peut causer un décès, un incendie ou un choc électrique.

Méthode du cordon d'alimentation – É.-U. seulement

- Cette sècheuse a été fabriquée de manière à pouvoir être raccordée directement à un câble d'alimentation électrique à trois fils. Le conducteur neutre de liaison à la terre est raccordé de manière permanente au conducteur neutre (fil blanc), dans la sècheuse. Si la sècheuse doit être raccordée à un câble d'alimentation à quatre fils, le conducteur neutre de liaison à la terre doit être séparé du conducteur de liaison à la terre extérieur (vis verte) et fixé sous la borne neutre (fil central ou blanc) du bloc de raccordement. Une fois le conducteur neutre de liaison à la terre fixé sous la borne neutre (fil central ou blanc) du bloc de raccordement, la caisse de la sècheuse est isolée du conducteur neutre.
- Si les codes locaux ne permettent pas la connexion d'un fil neutre de liaison à la terre au fil neutre, voir la section "Mode de connexion facultatif – prise de courant à trois conducteurs".
- Il importe d'utiliser un mode de connexion à quatre fils lorsque l'appareil ménager est installé dans une juridiction où il est interdit de relier l'appareil à la terre par l'intermédiaire du conducteur neutre. Il est interdit de relier l'appareil à la terre par l'intermédiaire du conducteur neutre dans les cas suivants : (1)

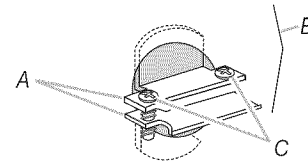
1. Déconnecter la source de courant électrique.

2. Ôter la vis de retenue et le couvercle du bloc de connexion.



- A. Vis pour conducteur externe de liaison à la terre
- B. Onglet
- C. Couvercle du bloc de connexion
- D. Vis de retenue

pour que les deux parties du serre-câble soient maintenues ensemble. Faire passer le câble d'alimentation entre les deux plaquettes.



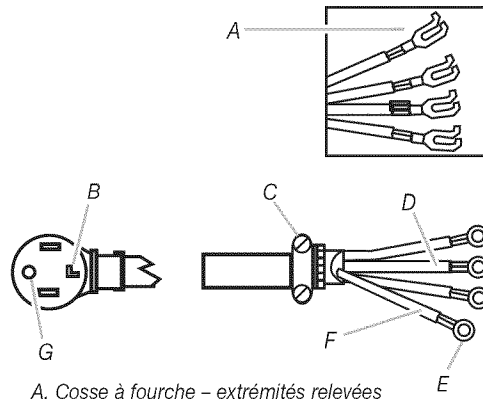
- A. Sections du serre-câble
- B. Caisse de la sècheuse
- C. Vis du serre-câble

3. Installer un serre-câble de 3/4" (agrément UL, avec marque sur le serre-câble) dans le trou situé au-dessous de l'ouverture du bloc de connexion. Serrer les vis du serre-câble juste assez

4. Exécuter les instructions d'installation qui suivent, selon le type de raccordement :

- Quatre conducteurs (méthode recommandée)
- Trois conducteurs (si un circuit à quatre conducteurs n'est pas disponible)

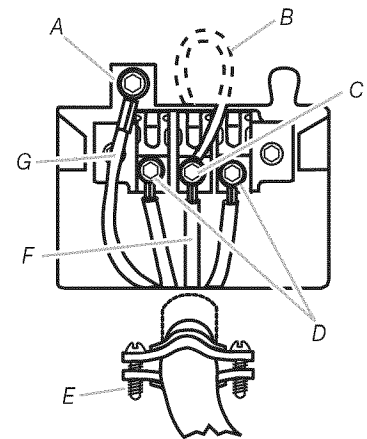
Cordon d'alimentation, prise de courant à quatre conducteurs :



- A. Crosse à fourche – extrémités relevées
- B. Broche neutre
- C. Serre-câble de 3/4" (agrément UL)
- D. Conducteur neutre (blanc)
- E. Cosses annulaires
- F. Conducteur de liaison à la terre
- G. Broche de liaison à la terre

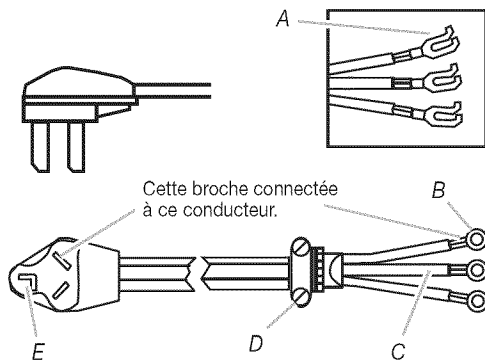
Le cordon d'alimentation à quatre conducteurs doit comporter quatre conducteurs de cuivre N° 10, et on doit disposer d'une prise de courant à quatre alvéoles de type NEMA 14-30R. Le quatrième conducteur (liaison à la terre) doit être identifié par un isolant vert et le conducteur neutre par un isolant blanc.

5. Ôter la vis de la borne centrale du bloc de connexion.
6. Détacher le conducteur de liaison à la terre de l'appareil de la vis de connexion du conducteur externe de liaison à la terre. Connecter ce conducteur sous la vis centrale de teinte argent du bloc de connexion.
7. Connecter le conducteur de liaison à la terre du cordon d'alimentation à la vis de connexion du conducteur externe de liaison à la terre. Serrer la vis.
8. Connecter le conducteur neutre (blanc ou central) du cordon d'alimentation sous la vis de la borne centrale du bloc de connexion. Serrer la vis.
9. Connecter les autres conducteurs sur les bornes externes du bloc de connexion. Serrer les vis.
10. Serrer les vis du serre-câble.
11. Insérer l'onglet du couvercle du bloc de connexion dans la fente du panneau arrière de la sècheuse. Immobiliser le couvercle avec la vis de retenue.



- A. Vis pour conducteur externe de liaison à la terre
- B. Conducteur de liaison à la terre de l'appareil
- C. Vis centrale du bloc de connexion
- D. Vis externes du bloc de connexion
- E. Vis du serre-câble
- F. Conducteur neutre (conducteur central)
- G. Conducteur de liaison à la terre

Cordon d'alimentation, prise de courant à trois conducteurs :

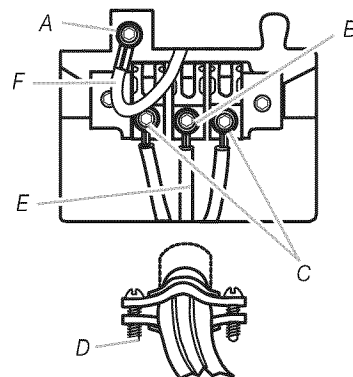


- A. Crosse à fourche – extrémités relevées
- B. Cosses annulaires
- C. Conducteur neutre (blanc ou central)
- D. Serre-câble de 3/4" (agrément UL)
- E. Broche neutre

Le cordon d'alimentation à trois conducteurs doit comporter trois conducteurs de cuivre N° 10, et on doit disposer d'une prise de courant à trois alvéoles de type NEMA 10-30R.

Lorsque le code local permet le raccordement entre conducteur neutre et conducteur de liaison à la terre de la caisse :

5. Desserrer ou enlever la vis de la borne centrale du bloc de connexion.
6. Connecter le conducteur neutre (blanc ou central) du cordon d'alimentation sur la borne centrale (vis de teinte argent) du bloc de connexion. Serrer la vis.
7. Connecter les autres conducteurs sur les bornes externes du bloc de connexion. Serrer les vis.
8. Serrer les vis du serre-câble.
9. Insérer l'onglet du couvercle du bloc de connexion dans la fente du panneau arrière de la sècheuse. Immobiliser le couvercle avec la vis de retenue.

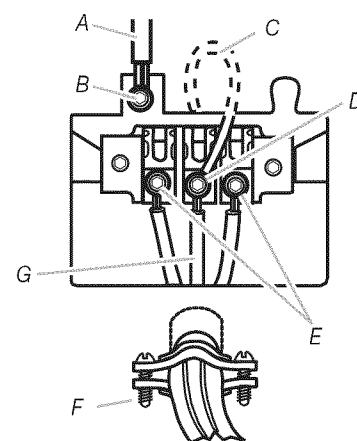


- A. Vis pour conducteur externe de liaison à la terre
- B. Vis centrale du bloc de connexion
- C. Vis externes du bloc de connexion
- D. Vis du serre-câble
- E. Conducteur neutre (conducteur central)
- F. Conducteur de liaison à la terre de l'appareil

Si les codes locaux ne permettent pas le raccordement entre conducteur neutre et conducteur de liaison à la terre de la caisse :

5. Ôter la vis de la borne centrale du bloc de connexion.
6. Détacher le conducteur de liaison à la terre de l'appareil de la vis de connexion du conducteur externe de liaison à la terre. Connecter le conducteur de liaison à la terre et le conducteur neutre (conducteur blanc ou central) du cordon d'alimentation de l'appareil, sous la vis centrale (argent) du bloc de connexion. Serrer la vis.
7. Connecter les autres conducteurs sur les bornes externes du bloc de connexion. Serrer les vis.
8. Serrer les vis du serre-câble.
9. Insérer l'onglet du couvercle du bloc de connexion dans la fente du panneau arrière de la sècheuse. Immobiliser le couvercle avec la vis de retenue.
10. Après avoir réinstallé le couvercle du bloc de connexion, installer un conducteur de liaison (cuivre) distinct entre la vis destinée à un conducteur externe de liaison à la terre et un point adéquat de liaison à la terre.

Si les codes permettent l'emploi d'un conducteur distinct de liaison à la terre, on recommande qu'un électricien qualifié vérifie la qualité de la liaison à la terre.



- A. Conducteur distinct de liaison à la terre, en cuivre
- B. Vis pour conducteur externe de liaison à la terre
- C. Conducteur de liaison à la terre de l'appareil
- D. Vis centrale du bloc de connexion
- E. Vis externes du bloc de connexion
- F. Vis du serre-câble
- G. Conducteur neutre (conducteur central)

Méthode de câblage direct – É.-U. seulement

AVERTISSEMENT



Risque d'incendie

Utiliser du fil en cuivre solide de calibre 10.

Utiliser un réducteur de tension homologué UL.

Déconnecter la source de courant électrique avant de réaliser les connexions électriques.

Connecter le conducteur neutre (blanc ou conducteur central) à la borne centrale (argent).

Le conducteur de liaison à la terre (vert ou nu) doit être relié au connecteur vert de liaison à la terre.

Connecter les 2 conducteurs d'alimentation restants aux 2 bornes (or) restantes.

Bien serrer chaque organe de connexion du branchement électrique.

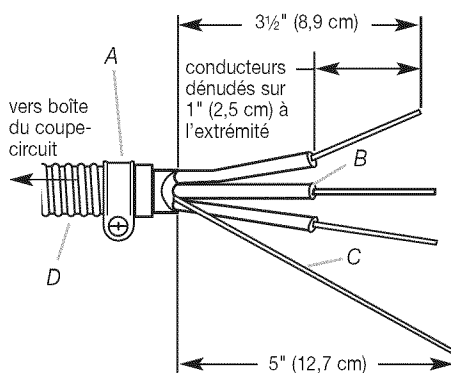
Le non-respect de cette instruction peut causer un décès, un incendie ou un choc électrique.

La configuration du câble d'alimentation par câblage direct doit correspondre à celle de la source d'électricité (4 conducteurs ou 3 conducteurs).

Le câble doit être comme suit :

- Câble blindé flexible ou câble à conducteur de cuivre et gaine non métallique (avec conducteur de liaison à la terre) protégé par un conduit métallique flexible. Chaque conducteur donnant lieu au passage d'un courant doit être isolé.

Câblage direct, prise de courant à quatre conducteurs :

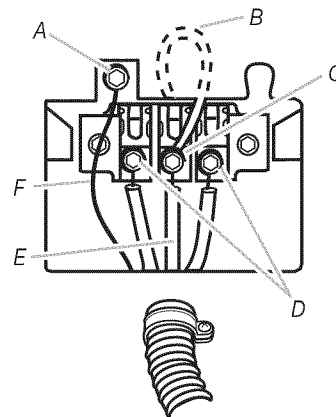


Former un crochet à l'extrémité de chaque conducteur.

Enlever 5" (12,7 cm) de la gaine externe à l'extrémité du câble. Conserver la longueur de 5" (12,7 cm) du conducteur vert ou nu de liaison à la terre. Pour les 3 autres conducteurs, couper une section de 1 1/2" (3,8 cm) à l'extrémité. Dénuder ensuite chaque conducteur sur 1" (2,5 cm).

- A. Connecteur de conduit de 3/4"
- B. Conducteur neutre (blanc ou central)
- C. Conducteur (vert ou nu) de liaison à la terre
- D. Câble à 3 conducteurs de calibre 10 avec conducteur de liaison à la terre en conduit métallique flexible

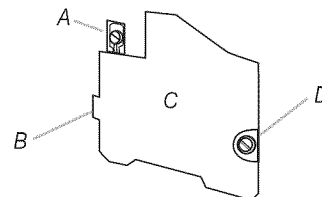
5. Ôter la vis de la borne centrale du bloc de connexion.
6. Détacher le conducteur de liaison à la terre de l'appareil de la vis de connexion du conducteur externe de liaison à la terre. Connecter ce conducteur sous la vis centrale de teinte argent du bloc de connexion.
7. Connecter le conducteur de liaison à la terre (vert ou nu) du câble d'alimentation par câblage direct à la vis de connexion du conducteur externe de liaison à la terre. Serrer la vis.
8. Placer l'extrémité formée en crochet du conducteur neutre (blanc ou central) du câble d'alimentation par câblage direct sous la vis de la borne centrale du bloc de connexion (crochet orienté vers la droite). Serrer le crochet sur la vis, puis serrer la vis.
9. Placer l'extrémité en crochet des autres conducteurs d'alimentation par câblage direct sous les vis externes des bornes du bloc de connexion (crochet orienté vers la droite). Serrer le crochet sur les vis, puis serrer les vis.
10. Insérer l'onglet du couvercle du bloc de connexion dans la fente du panneau arrière de la sècheuse. Immobiliser le couvercle avec la vis de retenue.



- A. Vis pour conducteur externe de liaison à la terre
- B. Conducteur de liaison à la terre de l'appareil
- C. Vis centrale du bloc de connexion
- D. Vis externes du bloc de connexion
- E. Conducteur neutre (conducteur central)
- F. Conducteur vert ou nu de liaison à la terre

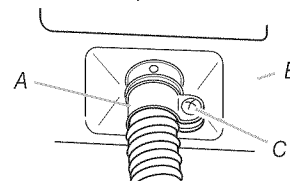
- Conducteur de cuivre de calibre 10 (ne pas utiliser d'aluminium).
- Longueur de 5 pi ou plus (1,52 m).

1. Déconnecter la source de courant électrique.
2. Ôter la vis de retenue et le couvercle du bloc de connexion.



- A. Vis pour conducteur externe de liaison à la terre
- B. Onglet
- C. Couvercle du bloc de connexion
- D. Vis de retenue

3. Installer un connecteur de conduit de 3/4" dans le trou au-dessous de l'ouverture du bloc de connexion. Connecter le conduit métallique flexible et serrer la vis du connecteur. Faire passer le câble d'alimentation par câblage direct à travers le conduit métallique flexible.



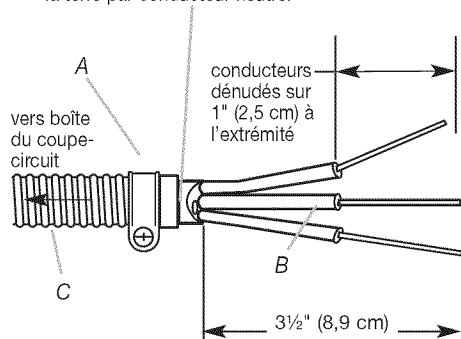
- A. Connecteur de conduit
- B. Caisse de la sècheuse
- C. Vis du connecteur

4. Exécuter les instructions d'installation qui suivent, selon le type de raccordement :

- Quatre conducteurs (méthode recommandée)
- Trois conducteurs (si un circuit à quatre conducteurs n'est pas disponible)

Câblage direct, prise de courant à trois conducteurs :

Trois conducteurs avec conducteur de liaison à la terre : Conducteur dénudé coupé, vert ou nu. Conducteur non utilisé. Sécheuse reliée à la terre par conducteur neutre.



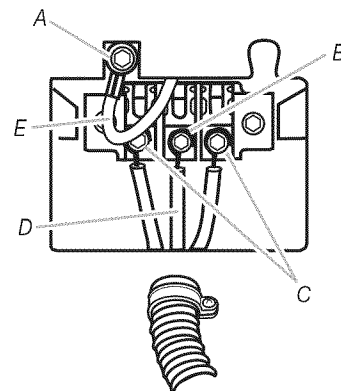
Former un crochet à l'extrémité de chaque conducteur.

Enlever 3 1/2" (8,9 cm) de la gaine externe à l'extrémité du câble. Dénuder ensuite chaque conducteur sur 1" (2,5 cm). Si vous utilisez un câble d'alimentation à 3 conducteurs avec conducteur de liaison à la terre, couper le conducteur nu ou vert au même niveau que la gaine externe.

- A. Connecteur de conduit de 3/4"
- B. Conducteur neutre (blanc ou central)
- C. Câble à 3 conducteurs de calibre 10 avec conducteur de liaison à la terre en conduit métallique flexible

Lorsque le code local permet le raccordement entre conducteur neutre et conducteur de liaison à la terre de la caisse :

5. Desserrer ou enlever la vis de la borne centrale du bloc de connexion.
6. Placer l'extrémité formée en crochet du conducteur neutre (blanc ou central) du câble d'alimentation par câblage direct sous la vis centrale du bloc de connexion (crochet orienté vers la droite). Serrer le crochet sur la vis, puis serrer la vis.
7. Placer l'extrémité en crochet des autres conducteurs d'alimentation par câblage direct sous les vis externes des bornes du bloc de connexion (crochet orienté vers la droite). Serrer le crochet sur les vis, puis serrer les vis.
8. Insérer l'onglet du couvercle du bloc de connexion dans la fente du panneau arrière de la sécheuse. Immobiliser le couvercle avec la vis de retenue.

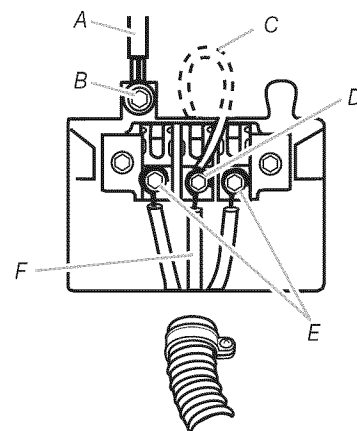


- A. Vis pour conducteur externe de liaison à la terre
- B. Vis centrale du bloc de connexion
- C. Vis externes du bloc de connexion
- D. Conducteur neutre (conducteur central)
- E. Conducteur de l'appareil (liaison à la terre)

Si les codes locaux ne permettent pas le raccordement entre conducteur neutre et conducteur de liaison à la terre de la caisse :

5. Ôter la vis de la borne centrale du bloc de connexion.
6. Détacher le conducteur de liaison à la terre de l'appareil de la vis de connexion du conducteur externe de liaison à la terre. Connecter le conducteur de liaison à la terre et le conducteur neutre (conducteur blanc ou central) du câble d'alimentation par câblage direct de l'appareil, sous la vis centrale (argent) du bloc de connexion. Serrer la vis.
7. Connecter les autres conducteurs sur les bornes externes du bloc de connexion. Serrer les vis.
8. Insérer l'onglet du couvercle du bloc de connexion dans la fente du panneau arrière de la sécheuse. Immobiliser le couvercle avec la vis de retenue.
9. Après avoir réinstallé le couvercle du bloc de connexion, installer un conducteur de liaison (cuivre) distinct entre la vis destinée à un conducteur externe de liaison à la terre et un point adéquat de liaison à la terre.

Si les codes permettent l'emploi d'un conducteur distinct de liaison à la terre, on recommande qu'un électricien qualifié vérifie la qualité de la liaison à la terre.



- A. Conducteur distinct en cuivre (liaison à la terre)
- B. Vis pour conducteur externe de liaison à la terre
- C. Conducteur de l'appareil (liaison à la terre)
- D. Vis centrale du bloc de connexion
- E. Vis externes du bloc de connexion
- F. Conducteur neutre (conducteur central)

Raccordement du conduit d'évacuation

1. À l'aide d'une bride de fixation de 4" (10,2 cm), relier le conduit d'évacuation à la bouche d'évacuation de la sècheuse. Si on utilise le conduit d'évacuation existant, s'assurer qu'il est propre. Le conduit d'évacuation de la sècheuse doit être fixé sur la bouche d'évacuation de la sècheuse et dans le clapet d'évacuation. S'assurer que le conduit d'évacuation est fixé au clapet d'évacuation à l'aide d'une bride de fixation de 4" (10,2 cm).
2. Avec l'aide d'au moins deux autres personnes, placer la sècheuse à l'emplacement final désiré. Ne pas écraser ni déformer le conduit d'évacuation. Vérifier que la sècheuse est de niveau.

Achever l'installation

1. Une fois la sècheuse à son emplacement final, placer un niveau sur le sommet de la sècheuse, transversalement, puis dans le sens avant arrière. Si la sècheuse n'est pas d'aplomb, ajuster les pieds pour modifier la hauteur et établir un bon aplomb de la sècheuse.

2. À l'aide d'un tournevis de sécurité Torx T20, ouvrir le tableau de commande et le faire reposer sur le bord inférieur de l'ouverture.
3. Pour plus de sécurité entre la partie supérieure de la sècheuse et la bague, insérer l'épingle à goupille fendue dans le boulon d'assemblage.
4. Fermer le tableau de commande.
5. Brancher la sècheuse ou reconnecter la source de courant électrique.
6. Contrôler le bon fonctionnement de la sècheuse:
Sélectionner un programme complet avec chaleur, laisser la sècheuse fonctionner pendant au moins cinq minutes. Elle s'arrête lorsque la durée est écoulée.
REMARQUE : La porte de la sècheuse doit être fermée pour que l'appareil fonctionne. Lorsque la porte est ouverte, la sècheuse s'arrête, mais le compte à rebours de la durée se poursuit. Pour remettre la sècheuse en marche, fermer la porte et resélectionner un programme.
7. Si le temps de séchage est trop long, s'assurer que le filtre à charpie est propre.
8. Mettre la sècheuse en marche; la laisser exécuter un programme complet avec chaleur (pas le programme de séchage à l'air) pour vérifier qu'elle fonctionne correctement.

RÉGLAGE DE LA COMMANDE ÉLECTRONIQUE

Voir la fiche technique pour plus d'information à propos du réglage.

INSTRUMENTS D'ENTRETIEN

Instructions d'entretien :

- Nettoyer le filtre à charpie après chaque utilisation.
- Comment enlever la charpie accumulée :
 - De l'intérieur de la sècheuse :
Il faut retirer la charpie tous les 2 ans ou plus souvent, selon l'utilisation de la sècheuse. Le nettoyage doit être effectué par une personne qualifiée.
 - Du conduit d'évacuation :
Il faut retirer la charpie tous les 2 ans ou plus souvent, selon l'utilisation de la sècheuse.
- Tenir les matériaux combustibles, essence ou autres vapeurs ou liquides inflammables, à l'écart de la zone entourant la sècheuse.
- Tenir les objets qui pourraient obstruer le flux de combustion et de ventilation à l'écart de la zone entourant la sècheuse.

Si la sècheuse ne fonctionne pas, vérifier ce qui suit :

- Le circuit d'alimentation électrique est bien connecté.
- Les disjoncteurs ne sont pas ouverts et les fusibles sont intacts.
- La porte est fermée.
- Les boutons de commande sélectionnent une configuration de fonctionnement.
- Un programme a été sélectionné.
- Pour une sècheuse à gaz, vérifier que les robinets de la canalisation de gaz sont ouverts.

Si vous avez besoin d'aide :

Le Centre d'assistance d'appareils de buanderie commerciaux répondra à toute question concernant le fonctionnement et l'entretien de la sècheuse non abordée dans les instructions d'installation. Le Centre d'assistance d'appareils de buanderie commerciaux est accessible 24 heures par jour, 7 jours par semaine. Il suffit de composer le 1-800 NO BELTS (1-800-662-3587). La communication est gratuite.

Lors de l'appel, vous devrez communiquer les numéros de modèle et de série de la sècheuse; les deux numéros sont inscrits sur la plaque signalétique située dans le logement de la porte de la sècheuse.

GARANTIE DE LA LAVEUSE COMMERCIALE, DE LA SÉCHEUSE, DE LA SÉCHEUSE/SÉCHEUSE SUPERPOSÉE, DE L'ENSEMBLE DE BUANDERIE COMMERCIAL SUPERPOSÉ, ET DES LAVEUSES ET SÉCHEUSES COMMERCIALES MULTI-CHARGE PAYANTES MAYTAG

GARANTIE LIMITÉE SUR LES PIÈCES

Pendant cinq ans à compter de la date d'achat, lorsque cet appareil ménager commercial est installé, utilisé et entretenu conformément aux instructions jointes à ou fournies avec le produit, Maytag marque de Whirlpool Corporation (ci-après désignée "Maytag") paiera pour les pièces de rechange spécifiées par l'usine ou les pièces de rechange d'équipement originales du fabricant pour corriger les vices de matériaux ou de fabrication. Une preuve d'achat originale est requise pour bénéficier du service de garantie.

MAYTAG NE PAIERA PAS POUR

1. Tous les autres frais, notamment la main-d'œuvre, le transport ou les taxes douanières.
2. Les visites de service pour rectifier l'installation de l'appareil ménager commercial, montrer à l'utilisateur comment utiliser l'appareil, remplacer ou réparer des fusibles, ou rectifier le câblage ou la plomberie extérieure.
3. Les réparations lorsque l'appareil est utilisé autrement que pour une utilisation commerciale ordinaire.
4. Les dommages imputables à une mauvaise manipulation du produit pendant une livraison, un vol, un accident, une modification, un usage impropre, un abus, un incendie, une inondation, des actes de Dieu, une mauvaise installation, une installation non conforme aux codes locaux d'électricité et de plomberie, ou l'utilisation de produits non approuvés par Maytag.
5. Le ramassage et la livraison. Cet appareil commercial est conçu pour être réparé sur place.
6. Les réparations aux pièces ou systèmes résultant d'une modification non autorisée faite à l'appareil commercial.
7. La dépose et la réinstallation de votre appareil commercial si celui-ci est installé dans un endroit inaccessible ou n'est pas installé conformément aux instructions d'installation fournies.
8. Les dommages chimiques ne sont pas couverts par la garantie.
9. Les modifications du bâtiment, de la pièce ou de l'emplacement nécessaires pour faire fonctionner l'appareil commercial correctement.

CLAUSE D'EXONÉRATION DE RESPONSABILITÉ AU TITRE DES GARANTIES IMPLICITES; LIMITATION DES RECOURS

LE SEUL ET EXCLUSIF RECOURS DU CLIENT DANS LE CADRE DE LA PRÉSENTE GARANTIE LIMITÉE CONSISTE EN LA RÉPARATION OU LE REMPLACEMENT DU PRODUIT PRÉVUS CI-DESSUS. LES GARANTIES IMPLICITES, Y COMPRIS LES GARANTIES APPLICABLES DE QUALITÉ MARCHANDE ET D'APTITUDE À UN USAGE PARTICULIER, SONT LIMITÉES À UN AN OU À LA PLUS COURTE PÉRIODE AUTORISÉE PAR LA LOI. WHIRLPOOL N'ASSUME AUCUNE RESPONSABILITÉ POUR LES DOMMAGES FORTUITS OU INDIRECTS. CERTAINES JURIDICTIONS NE PERMETTENT PAS L'EXCLUSION OU LA LIMITATION DES DOMMAGES FORTUITS OU INDIRECTS, OU LES LIMITATIONS DE LA DURÉE DES GARANTIES IMPLICITES DE QUALITÉ MARCHANDE OU D'APTITUDE À UN USAGE PARTICULIER, DE SORTE QUE CES EXCLUSIONS OU LIMITATIONS PEUVENT NE PAS S'APPLIQUER DANS VOTRE CAS. CETTE GARANTIE VOUS CONFÈRE DES DROITS JURIDIQUES SPÉCIFIQUES ET VOUS POUVEZ ÉGALEMENT JOUIR D'AUTRES DROITS QUI PEUVENT VARIER D'UNE JURIDICTION À UNE AUTRE.

Si vous avez besoin de service, veuillez communiquer avec votre distributeur d'ensemble de buanderie Maytag autorisé. Pour localiser votre distributeur d'ensemble de buanderie Maytag autorisé, ou pour des demandes de renseignements sur Internet, visitez le site Web www.MaytagCommercialLaundry.com.

9/07

Vous pouvez écrire à l'adresse suivante :

Maytag Commercial Laundry Service Department
2000 M-63 North
Benton Harbor, Michigan 49085 USA