

INSTALLATION INSTRUCTIONS

Over The Range Microwave Oven

BEFORE YOU BEGIN

Read these instructions completely and carefully.

- **IMPORTANT** Save these instructions for local inspector's use.
- **IMPORTANT** Observe all governing codes and coordinates.
- **NOTE TO INSTALLER** – Be sure to leave these instructions with the Consumer.
- **NOTE TO CONSUMER** – Keep these instructions for future reference.
- **SKILL LEVEL** – Installation of this appliance requires basic mechanical and electrical skills.
- Proper installation is the responsibility of the installer.
- Product failure due to improper installation is not covered under the Warranty.
- Please read all instructions thoroughly before installing the Over the Range Microwave Oven. Two people are recommended to install this product.
- If a new electrical outlet is required, its installation should be completed by a qualified electrician before the Over the Range Microwave Oven is installed. See 3 ELECTRICAL GROUNDING INSTRUCTIONS on page 2.

1 MOUNTING SPACE

This Over the Range Microwave Oven requires a mounting space on a wall as shown in Figure 1. It is designed to be used with standard 12" wall cabinets.

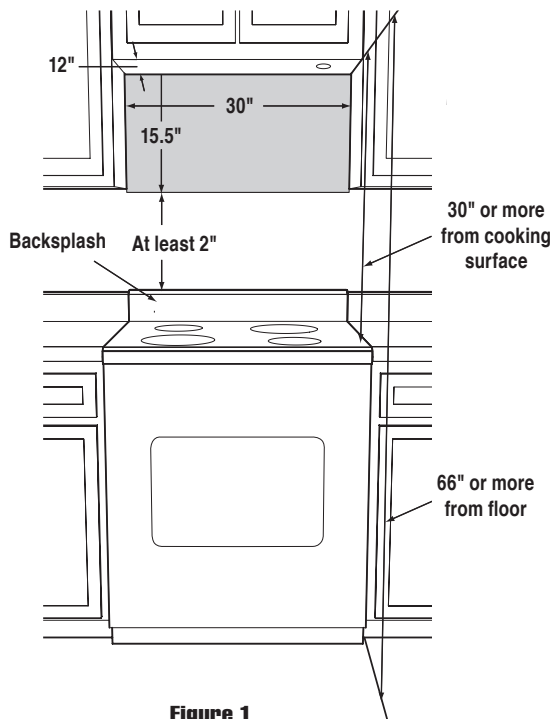


Figure 1

2 WALL CONSTRUCTION

This Over the Range Microwave Oven should be mounted against and supported by a flat vertical wall. The wall must be flat for proper installation. If the wall is not flat, use spacers to fill in the gaps. Wall construction should be a minimum of 2" x 4" wood studing and $\frac{3}{8}$ " or more thick dry wall or plaster/lath. The mounting surfaces must be capable of supporting weight of 110 pounds—the oven and contents—AND the weight of all items which would normally be stored in the top cabinet above the unit.

The unit should be attached to a minimum of one 2" x 4" wall stud.

To find the location of the studs, one of the following methods may be used:

- A. Use a stud finder, a magnetic device which locates the nails in the stud.
- B. Use a hammer to tap lightly across the mounting surface to find a solid sound. This will indicate stud location.

The center of the stud can be located by probing the wall with a small nail to find the edges of the stud and then placing a mark halfway between the edges. The center of any adjacent studs will normally be 16" or 24" to either side of this mark.

NEED HELP?

For toll-free telephone support in the U.S. and Canada:
1-877-4ELECTROLUX (1-877-435-3287)

READ CAREFULLY. KEEP THESE INSTRUCTIONS.

Installation Instructions

3 ELECTRICAL GROUNDING INSTRUCTIONS

This appliance must be grounded. This oven is equipped with a cord having a grounding wire with a grounding plug. It must be plugged into a wall receptacle that is properly installed and grounded in accordance with the National Electrical Code and local codes and ordinances. In the event of an electrical short circuit, grounding reduces risk of electric shock by providing an escape wire for the electric current.

WARNING - Improper use of the grounding plug can result in a risk of electric shock.

ELECTRICAL REQUIREMENTS

The oven is equipped with a 3-prong grounding plug. **DO NOT UNDER ANY CIRCUMSTANCES CUT OR REMOVE THE GROUNDING PIN FROM THE PLUG.**

DO NOT USE AN EXTENSION CORD. If the power supply cord is too short, have a qualified electrician or serviceman install an outlet near the appliance.

The Power Supply Cord and plug must be connected to a separate 120 Volt AC, 60 Hz, 15 Amp, or more branch circuit, single grounded receptacle. The receptacle should be located inside the cabinet directly above the Microwave Oven mounting location as shown in Figure 2.

NOTE:

1. If you have any questions about the grounding or electrical instructions, consult a qualified electrician or serviceman.
2. Neither Electrolux nor the dealer can accept any liability for damage to the oven or personal injury resulting from failure to observe the correct electrical connection procedures.

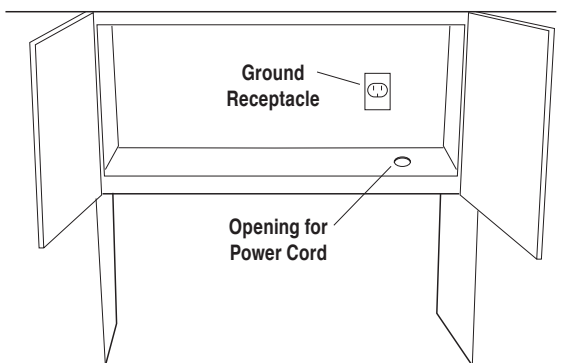


Figure 2

4 HOOD EXHAUST DUCT

When the hood is vented to the outside, a hood exhaust duct is required. All ductwork must be metal; absolutely do not use plastic duct. Check that all connections are made securely. Please read the following carefully:

EXHAUST CONNECTION: The hood exhaust has been designed to connect to a standard 3 1/4" x 10" rectangular duct. If round duct is required, a rectangular-to-round adapter must be used.

REAR EXHAUST: If a rear or horizontal exhaust is to be used, care should be taken to align the exhaust with the space between the studs, or wall should be prepared at the time it is constructed by leaving enough space between wall studs to accommodate exhaust.

MAXIMUM DUCT LENGTH: For satisfactory air movement, the total duct length of 3 1/4" x 10" rectangular or 6" diameter round duct should not exceed 140 feet.

Elbows, adapters, wall caps, roof caps, etc. present additional resistance to air flow and are equivalent to a section of straight duct which is longer than their actual physical size. When calculating the total length, add the equivalent lengths of all transitions and adapters plus the length of all straight duct sections. Figure 3 shows the approximate feet of equivalent length of some typical ductwork parts. Use the values in parentheses for calculating air flow resistance equivalent, which should total less than 140 feet.

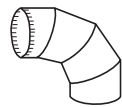


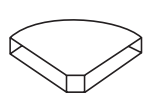
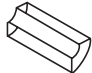
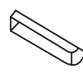
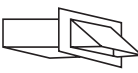

 90° Elbow (10 ft.)	 45° Elbow (5 ft.)	 Adaptor (5 ft.)	 10" Wide Elbow (10 ft.)
 90° Elbow (25 ft.)	 45° Elbow (5 ft.)	 Wall cap (40 ft.)	 Roof cap (24 ft.)

Figure 3

Installation Instructions

5 TOOLS RECOMMENDED FOR INSTALLATION

- Phillips Screwdriver
- Electric Drill
- 1/2", 5/8" and 3/32" Drill Bits
- 1 1/2" Wood Bit or Metal Hole Cutter (if metal cabinet is used)
- Saw to cut exhaust opening (if needed)
- Protective Drop Cloth for product and range - you may also use carton for protection
- Scissors
- Pencil
- Measure
- Tape

6 INSTALLATION HARDWARE

The INSTALLATION HARDWARE items ① - ⑥ are in a small bag. All items are in a bag packed below the oven.

Item	Name	Quantity
①	Wood Screw 5 x 35 mm	6
②	Toggle Bolt 3/16"	4
③	Top Cabinet Screw 5 x 85 mm	2
④	Flat Washer 30 mm diameter	2
⑤	Grommet	1
⑥	Tapping Screw 4 x 8 mm	3
⑦	Exhaust Damper Assembly	1
⑧	Grease Filter	2
⑨	Rear Cushion	1

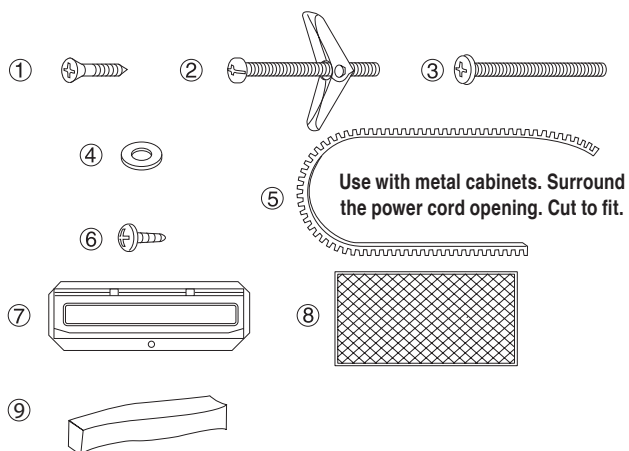


Figure 4

Parts shown not to common scale.

7 PREPARATION OF THE OVEN

1. Open the bottom of the carton, bend the carton flaps back and tilt the oven over to rest on plastic foam pad. Lift carton off oven and remove all packing materials, Installation Instructions, Wall Template, Top Template, Turntable and Turntable Support; however, DO NOT REMOVE THE WAVEGUIDE COVER, which is located on the ceiling in the oven cavity. SAVE THE CARTON AS IT MAY MAKE INSTALLATION EASIER.

2. CHECK THE OVEN.

Check the oven for any damage, such as misaligned or bent door, damaged door seals and sealing surfaces, broken or loose door hinges and latches and dents inside the cavity or on the door. If there is any damage, do not operate the oven and contact your dealer or Electrolux AUTHORIZED SERVICER.



Figure 5

Installation Instructions

8 VENTILATION SYSTEM (PREPARING OVEN FOR INSTALLATION)

This Over the Range Microwave Oven is designed for adaptation to three types of hood ventilation systems. Select the type required for your installation.

RECIRCULATING — non-vented, ductless. Follow installation procedure (A). Recirculating requires the use of the Charcoal Filters, which have already been installed in the oven.

HORIZONTAL EXHAUST — outside ventilation. Follow installation procedure (B).

VERTICAL EXHAUST — outside ventilation. Follow installation procedure (C).

(A) RECIRCULATING: NON-VENTED, DUCTLESS OPERATION

The unit is shipped assembled for recirculating.

NOTE:

1. The Exhaust Damper Assembly is not required for recirculating exhaust.
2. The Charcoal Filters should be replaced every 6 to 12 months, depending on use.

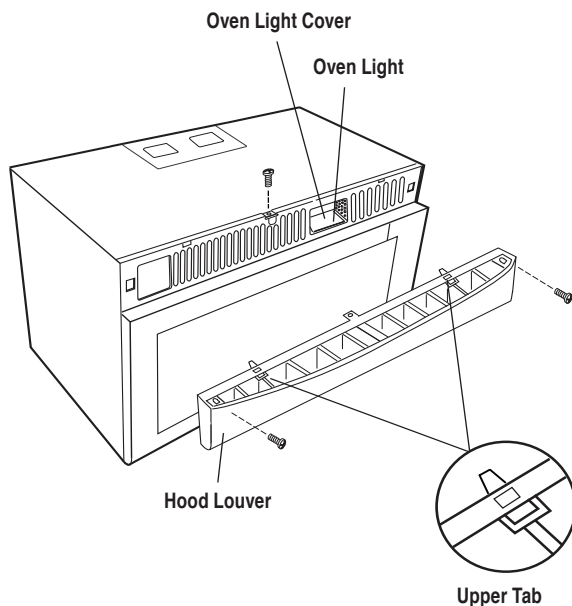


Figure 6A

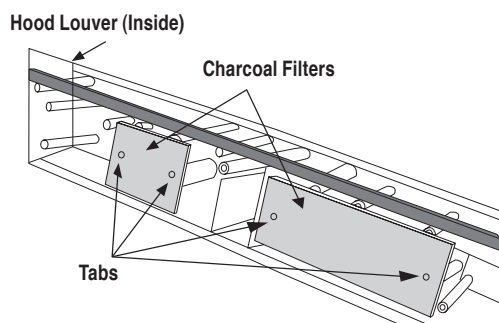


Figure 6B

(B) HORIZONTAL EXHAUST: OUTSIDE VENTILATION

1. Remove 3 screws from back edge and 3 screws from the top center of Fan Cover Bracket. Save 3 screws to be used later and discard remaining 3. Remove Fan Cover Bracket by sliding it in the opposite direction of the arrow on the Fan Cover Bracket, as shown in Figure 7.
2. Lift Hood Fan Unit carefully and slip wires out of cavity. See Figure 8. **CAUTION: Do not pull or stretch Hood Fan Wire.**
3. Rotate the Hood Fan Unit 180° so that the Fan Blade Openings are facing the back of the oven. See Figure 9A on page 5.
4. Replace Hood Fan Wire from (A) to (B). See Figure 9B on page 5. Replace Hood Fan Unit into the oven. **Be careful not to pinch the Hood Fan Wire and the Hood Fan Unit.** See Figure 9C on page 5.
5. Put the wire back into cavity. See Figure 10A on page 5.
6. Assemble the Exhaust Damper Assembly to the Fan Cover Bracket by sliding it into the slits in the same direction as the arrow. Use 1 Tapping Screw 4 x 8 mm from the INSTALLATION HARDWARE and tighten into place. See Figure 10B on page 5.
7. This assembly will be mounted to the Outside Rear Exhaust cutout in future instructions.

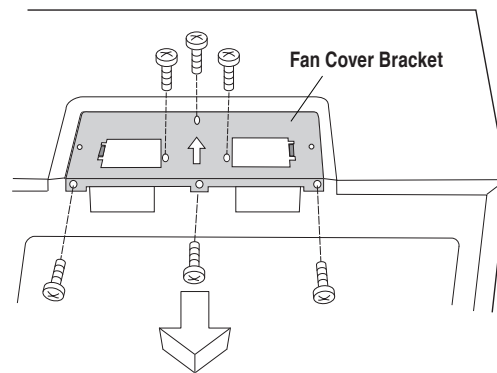


Figure 7

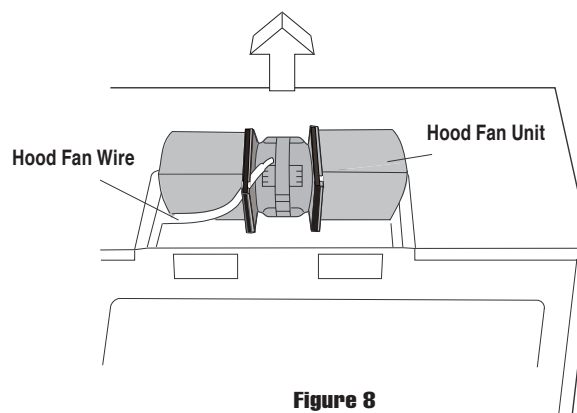
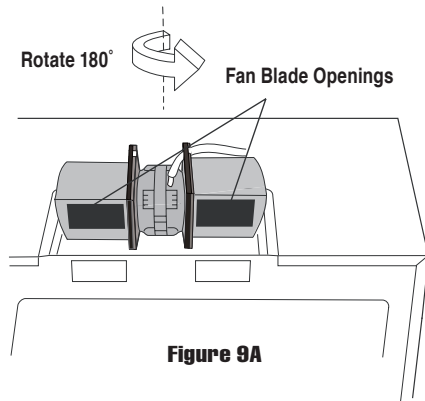
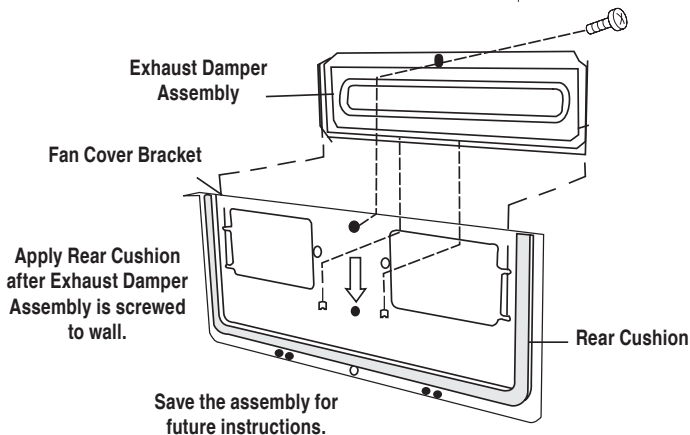
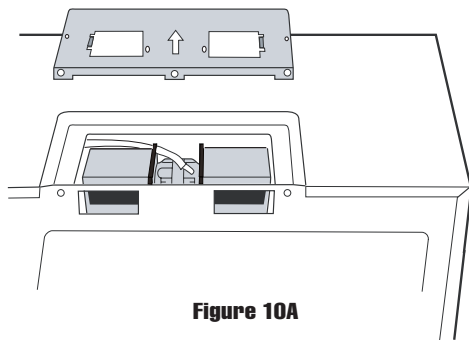
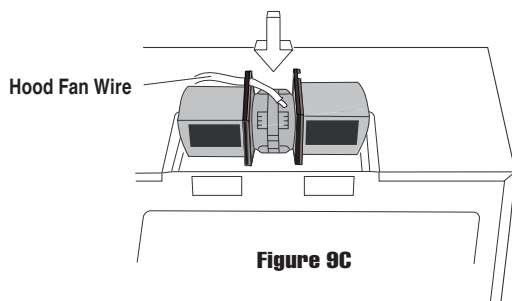
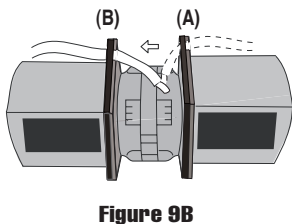


Figure 8

Installation Instructions

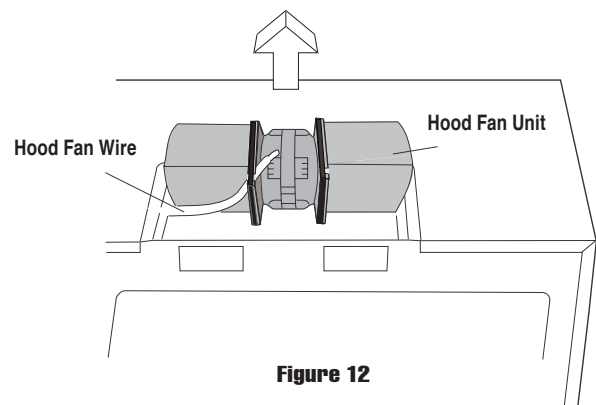
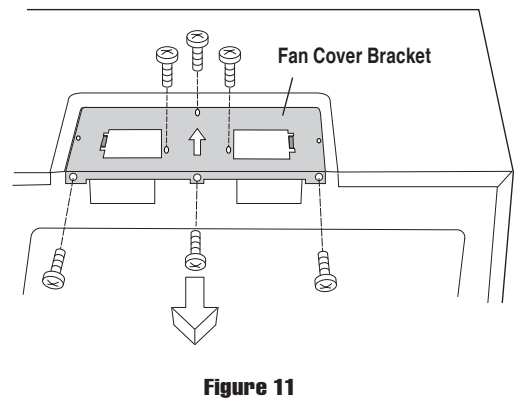


Change the position of wire to left side hole

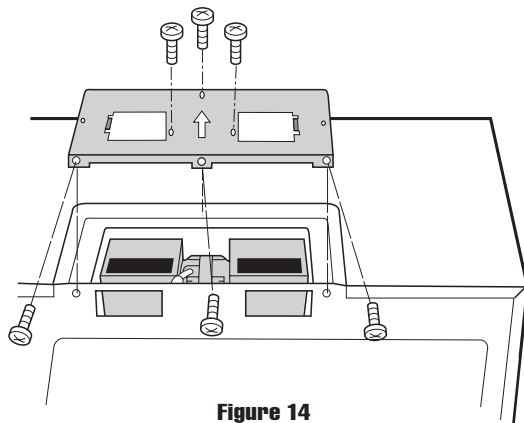
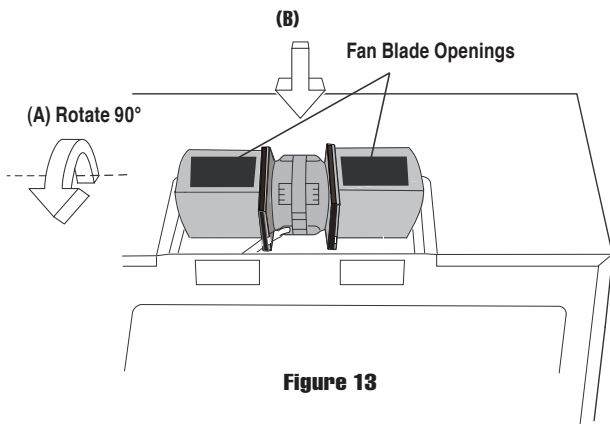


(C) VERTICAL EXHAUST: OUTSIDE VENTILATION

1. Remove and save 3 screws from back edge and 3 screws from the top center of the Fan Cover Bracket. Remove Fan Cover Bracket by sliding it in the opposite direction of the arrow on the Fan Cover Bracket as shown in Figure 11.
2. Lift Hood Fan Unit carefully and slip wires out of cavity. See Figure 12. **CAUTION: Do not pull or stretch Hood Fan Wire.**
3. Rotate the Hood Fan Unit 90° so that the Fan Blade Openings are facing the top of the oven. See Figure 13 (A) on page 6. Replace Hood Fan Unit into the oven. Be careful not to pinch the lead wire between the inner bracket and the Hood Fan Unit. Put the lead wire into Wire Box. See Figure 13 (B) on page 6.
4. Replace the Fan Cover Bracket by sliding it into the slits in the same direction as the arrow on the Fan Cover Bracket. Make sure the fan blades are visible through the top openings in the oven before proceeding.
5. Attach the Fan Cover Bracket to unit with the 3 screws from back edge and 3 screws from the top center of the Fan Cover Bracket, which were removed in Step 1 above. See Figure 14 on page 6. The Hood Fan Unit is now rotated for vertical exhaust operation.
6. Attach the Exhaust Damper Assembly to the fan cover bracket on the top of the outcase cabinet after mounting the oven. To attach the Exhaust Damper Assembly, refer to MOUNTING OVEN TO THE WALL, See Figure 20 on page 7.



Installation Instructions



3. Position the Mounting Plate with the Toggle Bolts attached at the wall location and insert Toggle Nuts and Bolts through the holes in the wall with the Toggle Nuts closed. See Figure 16. Use Wood Screws to attach the Mounting Plate to studs.

NOTE: Before insertion, be sure you leave a space more than the thickness of the wall between the Mounting Plate and the end of each of the Toggle Nuts (in the closed position). If you do not leave enough space, the Toggle Nut will not be able to open on the other side of the wall. Also, once a Toggle Nut opens, it cannot be withdrawn from the hole; therefore make sure all of the Toggles are in the correct position before insertion.

4. Align the Mounting Plate carefully and hold in position while tightening Toggle Bolts. Pull Toggle Bolt toward you and turn clockwise to tighten. See Figure 17.

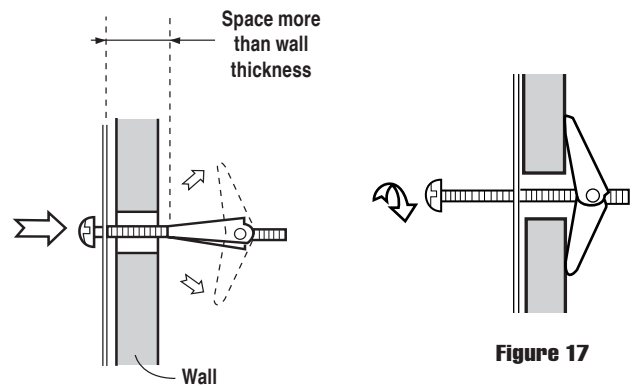
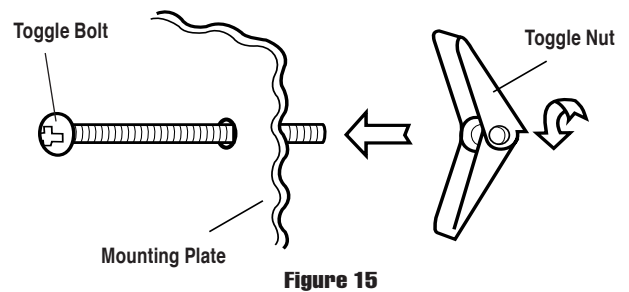


Figure 17

Figure 16

9 OVEN INSTALLATION

THIS OVEN CANNOT BE PROPERLY INSTALLED WITHOUT REFERRING TO THE MOUNTING INSTRUCTIONS FOUND ON BOTH TEMPLATES.

THE NEXT STEP IS TO READ AND FOLLOW MOUNTING INFORMATION ON BOTH TOP CABINET AND WALL TEMPLATES.

NOTE: THIS OVEN SHOULD BE ATTACHED TO AT LEAST ONE WALL STUD.

MOUNTING PLATE

1. Separate Toggle Nuts, packed in the INSTALLATION HARDWARE, from 4 Toggle Bolts.

2. **IMPORTANT** Use the mounting template provided to Use wood screws to attach mounting plate to the stud or studs. Use Toggle Bolts to attach mounting plate through the holes at A, B, C and D UNLESS THOSE HOLES ARE LOCATED ON THE STUD. Insert one Toggle Bolt into A, B, C and D where appropriate (these correspond to holes of the Wall Template) and put the Toggle Nuts onto the Toggle Bolts. See Figure 15. Refer to instructions in Wall Template.



MOUNTING OVEN TO THE WALL

Two people are recommended to attach the Microwave Oven/Hood to the Mounting Plate.

1. Thread the power supply cord through the hole made in the bottom of the top cabinet.
2. Install the oven by tilting it forward and sliding it onto two tabs of the Mounting Plate. Rotate the oven up so it rests against the wall. See Figure 18 on page 7.
3. Use the two Top Cabinet Screws and two Flat Washers, supplied in the INSTALLATION HARDWARE, to attach the unit to the top cabinet. See Figure 19 on page 7.
4. Secure the bottom of the oven to the Mounting Plate by using two Tapping Screws 4 x 8 mm from the INSTALLATION HARDWARE. See Figure 19 on page 7.

Installation Instructions

CHECKLIST FOR INSTALLATION

1. Make sure the unit has been installed according to all of the Installation Instructions and the Wall and Top Cabinet Templates.
2. Plug in the power cord.
3. Keep these Installation Instructions.

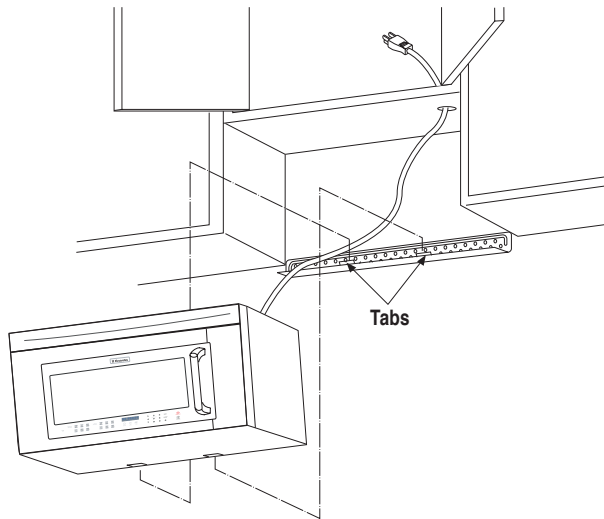


Figure 18

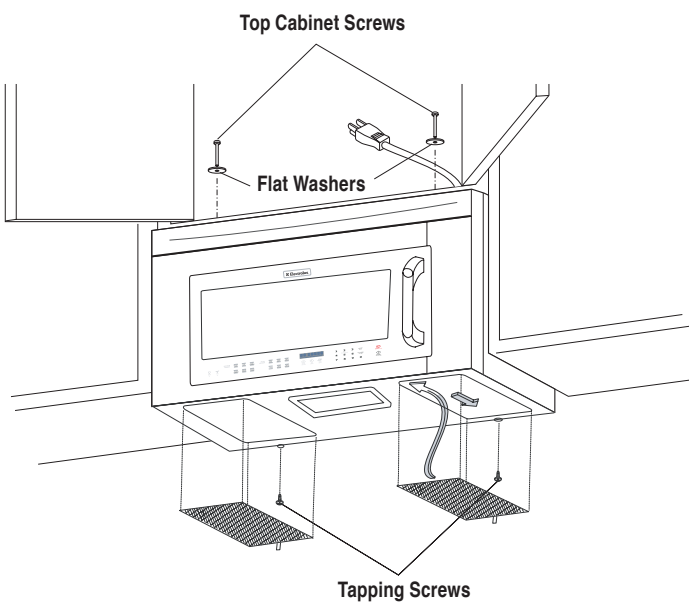


Figure 19

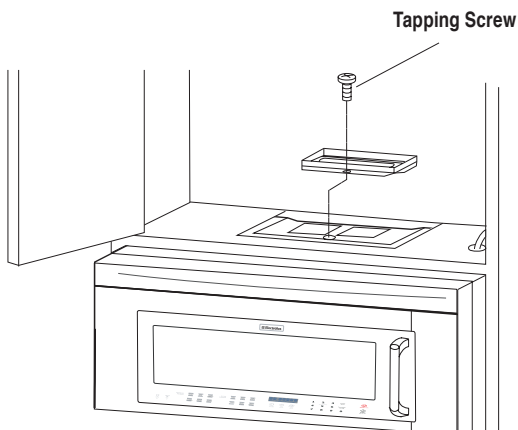


Figure 20

INSTRUCCIONES DE INSTALACIÓN

Horno microondas sobre la estufa

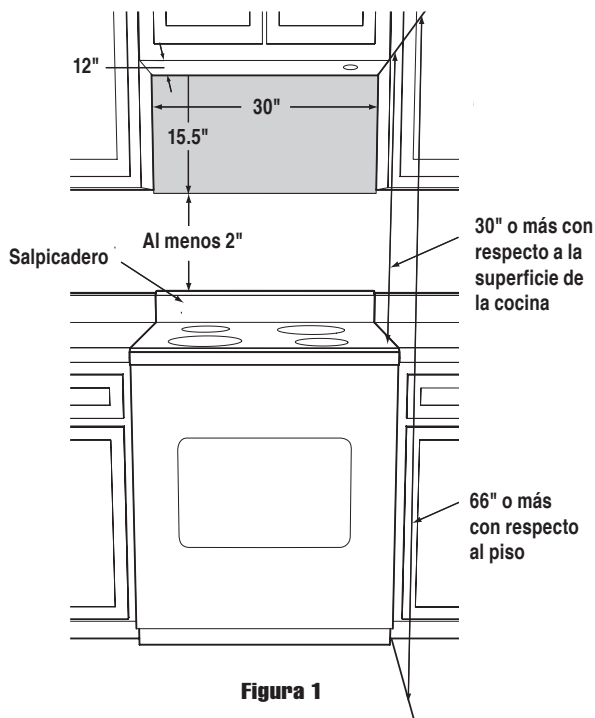
ANTES DE COMENZAR

Lea estas instrucciones completa y detalladamente.

- **IMPORTANTE** Guarde estas instrucciones para uso del inspector local.
- **IMPORTANTE** Cumpla con los códigos y normas vigentes.
- **NOTA PARA EL INSTALADOR** – Asegúrese de entregar estas instrucciones al consumidor.
- **NOTA AL CONSUMIDOR** – Conserve estas instrucciones para referencias futuras.
- **NIVEL DE CONOCIMIENTO** – La instalación de este aparato requiere de conocimientos básicos sobre mecánica y electricidad.
- La correcta instalación es responsabilidad del instalador
- La garantía no cubre la falla del producto por instalación inapropiada.
- Lea detenidamente las instrucciones antes de instalar el Horno microondas sobre estufa. Se recomienda que la instalación de este producto sea realizada entre dos personas.
- Si se requiere un tomacorriente eléctrico nuevo, su instalación debe ser realizada por un electricista calificado antes de instalar el Horno microondas sobre estufa. Vea el capítulo 3 INSTRUCCIONES DE CONEXIÓN ELÉCTRICA A TIERRA en la página 2.

1 ESPACIO DE MONTAJE

Este Horno microondas sobre estufa requiere de un espacio de montaje en la pared como se muestra en la Figura 1. Está diseñado para ser utilizado en gabinetes de pared estándar de 12".



2 CONSTRUCCIÓN DE PARED

Este Horno microondas sobre estufa debe montarse y apoyarse en una pared vertical plana. La pared debe ser plana para una instalación apropiada. Si la pared no es plana, utilice espaciadores para llenar los vacíos. La construcción de pared debe consistir de montantes de madera de 2" x 4" como mínimo y tablaroca o yeso/listón de 3/8" o más de espesor. Las superficies de montaje deben ser capaces de soportar un peso de 50 kg (110 libras) —el horno y su contenido— ADEMÁS de todos los elementos que generalmente se guardan en el gabinete superior por encima de la unidad.

La unidad debe ser fijada como mínimo a un montante de 2" x 4".

Para encontrar la ubicación de los montantes, puede seguir uno de los siguientes métodos:

- A. Utilice un localizador de montantes, un dispositivo magnético que localiza los clavos en el montante.
- B. Utilice un martillo para golpear levemente la superficie de montaje tratando de encontrar un sonido macizo. Esto le indicará la ubicación del montante.

El centro del montante puede ser ubicado sondeando la pared con un pequeño clavo para encontrar los bordes del montante y luego colocando una marca en el punto medio entre los bordes. El centro de cualquier montante adyacente por lo general estará a 16" o 24" de cualquier lado de esta marca.

¿NECESITA AYUDA?

Para soporte por teléfono gratuito en los Estados Unidos y Canadá llame al:

1-877-4ELECTROLUX (1-877-435-3287)

LEA DETALLADAMENTE. GUARDE ESTAS INSTRUCCIONES.

Instrucciones de Instalación

3 INSTRUCCIONES DE CONEXIÓN A TIERRA ELÉCTRICA

Este aparato debe conectarse a tierra. Este horno está equipado con un cable que tiene un alambre de tierra y enchufe con pata de tierra. Éste debe enchufarse en un tomacorriente de pared instalado apropiadamente y conectado a tierra de acuerdo con el Código Eléctrico Nacional, y los códigos y ordenanzas locales. En caso que se produzca un cortocircuito eléctrico, la conexión a tierra reduce el riesgo de descarga eléctrica proporcionando un alambre de escape para la corriente eléctrica.

ADVERTENCIA - El uso inapropiado del enchufe con pata de tierra puede resultar en peligro de descarga e léctrica.

REQUERIMIENTOS ELÉCTRICOS

El horno está equipado con un enchufe de conexión a tierra, de tres patas. **BAJO NINGUNA CIRCUNSTANCIA CORTE O RETIRE LA PATA DE TIERRA DEL ENCHUFE.**

NO UTILICE EXTENSIONES DE CABLE. Si el cable de alimentación es demasiado corto, deje que un electricista o técnico calificado instale un tomacorriente cerca del aparato.

El Cable de Suministro de Energía y el enchufe deben conectarse en un tomacorriente conectado a tierra de circuito separado de 120 Voltios AC, 60 Hz, 15 Amp, ó más. El tomacorriente debe ubicarse dentro del gabinete ubicado directamente sobre el sitio de montaje del horno microondas mostrado en la Figura 2.

NOTA:

1. Si tiene preguntas acerca de las instrucciones eléctricas o de conexión a tierra, consulte un electricista calificado.
2. Ni Electrolux ni el distribuidor pueden aceptar ninguna responsabilidad por daño al horno o por lesiones personales resultantes de no seguir los procedimientos correctos de conexión eléctrica.

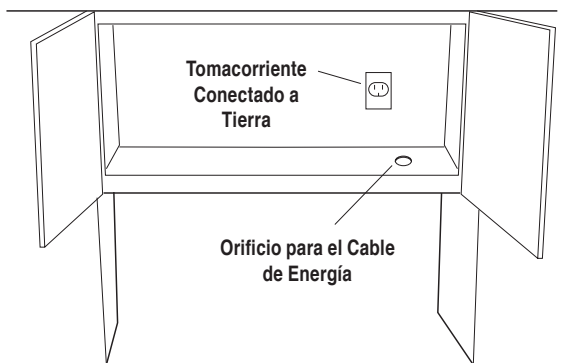


Figura 2

4 DUCTO DE ESCAPE DE CAMPANA EXTRACTORA

Cuando la campana extractora tiene escape hacia el exterior, se requiere un ducto de escape de campana. Todo el ducto debe ser metálico, categóricamente no utilice ducto plástico. Verifique que todas las conexiones están sujetadas firmemente. Por favor lea cuidadosamente lo siguiente:

CONEXIÓN DE ESCAPE: El escape de la campana ha sido diseñado para conectarse con un ducto rectangular estándar de 3 ¼" x 10". Si se requiere ducto redondo, debe utilizarse un adaptador de rectangular a redondo.

ESCAPE TRASERO: Si debe utilizarse un escape trasero o escape horizontal, debe tenerse cuidado de alinear el escape con el espacio entre las columnas, o la pared debe prepararse en el momento de construirse dejando suficiente espacio entre las columnas de pared para acomodar el escape.

LONGITUD MÁXIMA DEL DUCTO: Para movimiento satisfactorio del aire, la longitud total del ducto rectangular de 3 ¼" x 10" ó del ducto redondo con diámetro de 6" no debe exceder 140 pies (42.7 m).

Los codos, adaptadores, tapas de pared, tapas de techo, etc., presentan resistencia adicional al flujo de aire y son equivalentes a una sección recta de ducto con longitud superior a su longitud física real. Cuando se calc ula la longitud total, agregue las longitudes equivalentes de todas las transiciones y adaptadores más la longitud de todas las secciones rectas de ducto. La Figura 3 muestra la longitud equivalente aproximada en pies de algunas partes de ducto típicas. Utilice los valores dentro de paréntesis para calcular la resistencia al flujo de aire equivalente que debe ser un valor total inferior a 140 pies (42.7 m).

90° Codo (10 pies.)	45° Codo (5 pies.)	Adaptador (5 pies.)	Codo Ancho de 10 pulgadas (10 pies.)
90° Codo (25 pies.)	45° Codo (5 pies.)	Tapa de Pared (40 pies.)	Tapa de Techo (24 pies.)

Figura 3

Instrucciones de Instalación

5 HERRAMIENTAS RECOMENDADAS PARA LA INSTALACIÓN

- Atornillador Phillips
- Taladro eléctrico
- Brocas de 1/2", 5/8" y 3/32"
- Broca para madera de 1 1/2" ó Cortador de orificios en metal (si se utiliza gabinete metálico)
- Scie pour couper l'ouverture d'évacuation (s'il y a lieu)
- Sierra para cortar el orificio de escape (si se requiere)
- Paño para proteger el horno – también se puede utilizar cartón para protección
- Tijeras
- Lápiz
- Cinta para medir

6 HERRAJES DE INSTALACIÓN

Los elementos de la tornillería de instalación del ① - ⑥ están en una bolsa pequeña. Todos los elementos se encuentran en una caja de cartón debajo del horno.

Elemento	Nombre	Cantidad
①	Tornillo para Madera de 5 x 35 mm	6
②	Perno de Anclaje de 3/16"	4
③	Tornillo Gabinete Superior de 5 x 85 mm	2
④	Arandela Plana con diámetro de 30 mm	2
⑤	Anillo de Refuerzo	1
⑥	Tornillo Auto-Perforante de 4 x 8 mm	3
⑦	Regulador de Succión de Extracción	1
⑧	Filtros de grasa	2
⑨	Amortiguador posterior	1

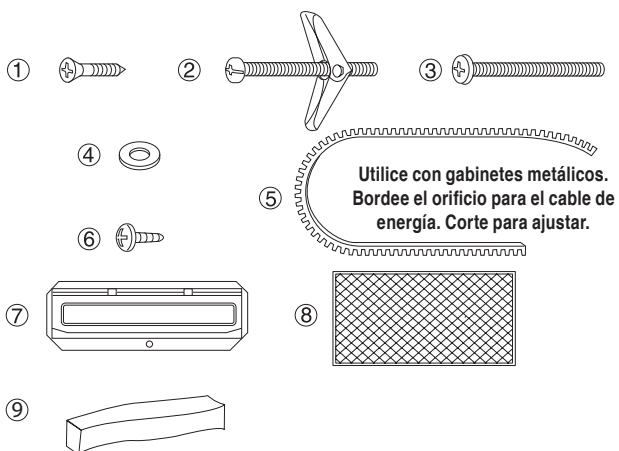


Figura 4

Las partes mostradas no están a escala.

7 PREPARACIÓN DEL HORNO

1. Abra la parte inferior de la caja de cartón, doble hacia atrás las alas de la caja de cartón y voltee la caja para colocar el horno sobre el cojín de espuma plástica. Levante y extraiga la caja de cartón del horno y saque todos los materiales de empaque, las Instrucciones de instalación, la plantilla de pared, la bandeja giratoria y su soporte; sin embargo, NO EXTRAIGA LA CUBIERTA DE GUÍA DE ONDAS que está ubicada en el techo dentro de la cavidad del horno. **GUARDE LA CAJA DE CARTÓN YA QUE ÉSTA PODRÍA FACILITAR LA INSTALACIÓN.**
2. **REVISE EL HORNO.** Revise el horno en cuanto a daño, tal como puerta desalineada o doblada, sellos y superficies de sellado de puerta dañadas, bisagras y cerrojos de puerta rotos o flojos, y abolladuras dentro de la cavidad o en la puerta. Si existe algún daño, no opere el horno y comuníquese con su distribuidor o con el **PROVEEDOR DE SERVICIO AUTORIZADO DE ELECTROLUX.**



Figura 5

Instrucciones de Instalación

8 SISTEMA DE VENTILACIÓN (PREPARACIÓN DEL HORNO PARA SU INSTALACIÓN)

Este Horno microondas sobre la estufa está diseñado para adaptarse a tres tipos de sistemas de ventilación de campana extractora. Seleccione el tipo correspondiente a su instalación.

RECIRCULANTE — sin extracción al exterior, sin ducto. Siga el procedimiento de instalación (A). La recirculación requiere el uso de los filtros de carbón vegetal, que están instalados en el horno.

ESCAPE HORIZONTAL — extracción hacia el exterior. Siga el procedimiento de instalación (B).

ESCAPE VERTICAL — extracción hacia el exterior. Siga el procedimiento de instalación (C).

(A) RECIRCULACIÓN: OPERACIÓN SIN EXTRACCIÓN AL XTERIOR, SIN DUCTO

La unidad viene ensamblada para recirculación.

NOTA:

1. No se requiere el conjunto del amortiguador de escape para recircular el escape.
2. Los filtros de carbón vegetal deben sustituirse cada 6 o 12 meses, según el uso.

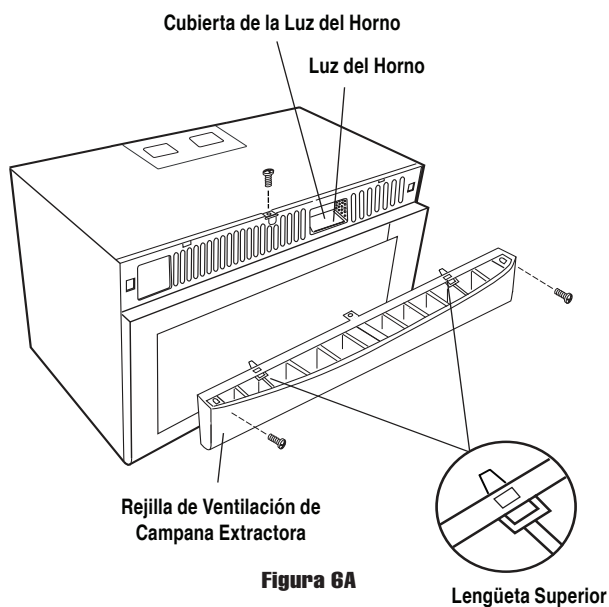


Figura 6A

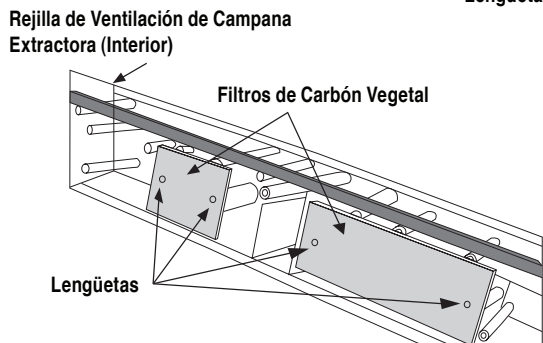


Figura 6B

(B) ESCAPE HORIZONTAL: EXTRACCIÓN HACIA EL EXTERIOR

1. Retire 3 tornillos del borde posterior y 3 tornillos de la parte superior central del soporte de la cubierta del ventilador. Guarde 3 tornillos para usarlos luego y descarte los 3 restantes. Retire el soporte de la cubierta del ventilador deslizándolo en la dirección contraria de la flecha que aparece en el soporte, como se muestra en la Figura 7.
2. Levante la unidad de ventilador de la campana extractora y deslice los alambres afuera de la cavidad. Vea la Figura 8. **Precaución: No jale o estire los Alambres del Ventilador de la Campana.**
3. Gire la unidad de ventilador de la campana 180° para que los Orificios de las Paletas del Ventilador estén frente a la parte posterior del horno. Vea la Figura 9A de la página 5.
4. Vuelva a colocar el cable del ventilador de (A) a (B). Vea la Figura 9B de la página 5. Coloque nuevamente la unidad del ventilador de la campana en el horno. **Tenga cuidado de no atrapar el cable y la unidad del ventilador de la campana.** Vea la Figura 9C de la página 5.
5. Coloque el alambre nuevamente en la cavidad. Vea la Figura 10A de la página 5.
6. Ensamble el conjunto del amortiguador de escape al Soporte de la Cubierta del Ventilador deslizándolo por las ranuras en la misma dirección de la flecha. Utilice 1 tornillo autorroscante de 4 x 8 mm de la TORNILLERÍA DE INSTALACIÓN y apriete hasta colocarlo en posición. Vea la Figura 10B de la página 5.
7. Este conjunto se montará en el recorte del escape posterior exterior para instrucciones futuras.

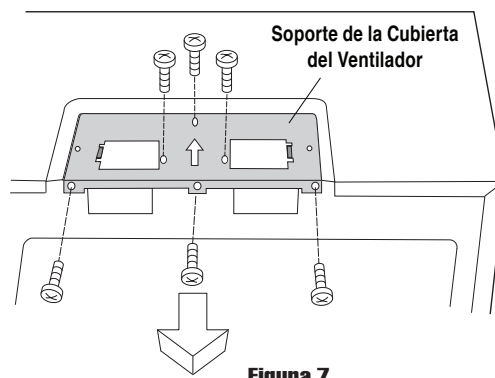


Figura 7

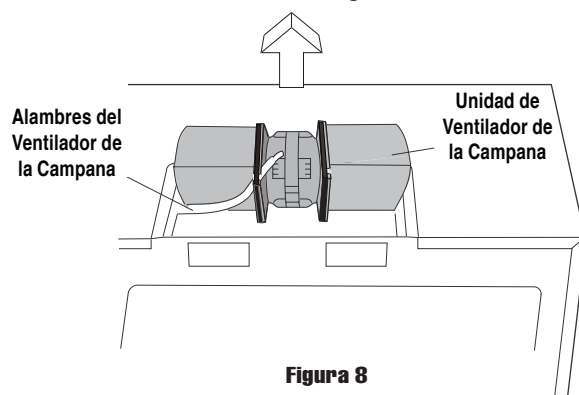


Figura 8

Instrucciones de Instalación

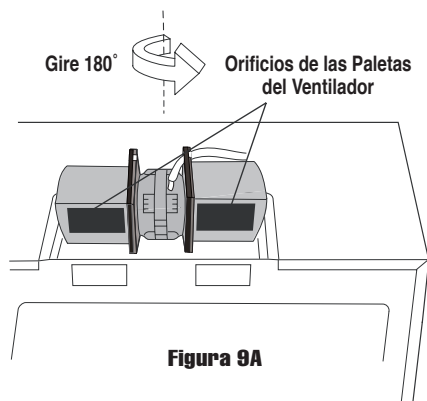


Figura 9A

Cambie la posición del cable al orificio del lado izquierdo.

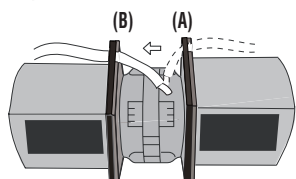


Figura 9B

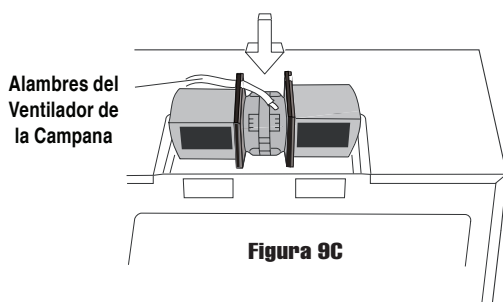


Figura 9C

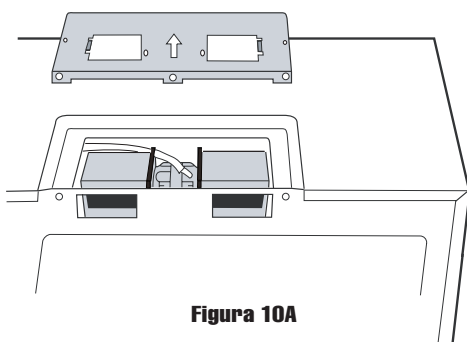


Figura 10A

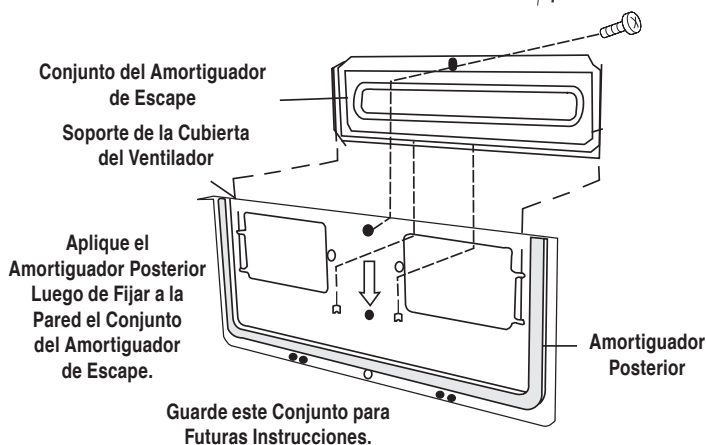


Figura 10B

(C) ESCAPE VERTICAL: EXTRACCIÓN HACIA EL EXTERIOR

1. Retire y guarde 3 tornillos del borde posterior y 3 tornillos de la parte superior central de la cubierta del ventilador. Retire el soporte de la cubierta del ventilador deslizando en la dirección contraria de la flecha que aparece en el soporte, como se muestra en la Figura 11.
2. Levante la unidad de ventilador de la campana extractora y deslice los alambres afuera de la cavidad. Vea la Figura 12. **Precaución: No jale o estire los Alambres del Ventilador de la Campana.**
3. Gire la unidad de ventilador de la campana 90° para que los Orificios de las Paletas del Ventilador estén frente a la parte superior del horno. Vea la Figura 13 (A) de la página 6. Coloque nuevamente la unidad de ventilador de la campana en el horno. Tenga cuidado de no atrapar el conductor entre el soporte interior y la unidad de ventilador de la campana. Coloque el conductor en la caja de alambres. Vea la Figura 13 (B) de la página 6.
4. Coloque nuevamente el soporte de la cubierta del ventilador deslizando por las ranuras en la misma dirección de la flecha de la cubierta del ventilador. Asegúrese de que las paletas del ventilador sean visibles a través de los orificios superiores en el horno antes de proceder.
5. Fije el soporte de la cubierta del ventilador a la unidad con los 3 tornillos del borde posterior y los 3 tornillos de la parte superior central del soporte de la cubierta del ventilador, retirados en el paso 1. Vea la Figura 14 de la página 6. Ahora, la unidad de ventilador de la campana ha girado para una operación de escape vertical.
6. Después de montar el horno, sujete el Regulador de Succión de Extracción a la cubierta del ventilador ubicada en la parte superior del horno. Para sujetar el Regulador de Succión de Extracción, remítase al capítulo "MONTAJE DEL HORNO EN LA PARED", Vea la Figura 20 de la página 7.

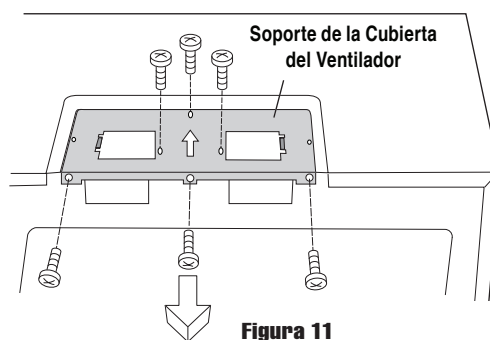


Figura 11

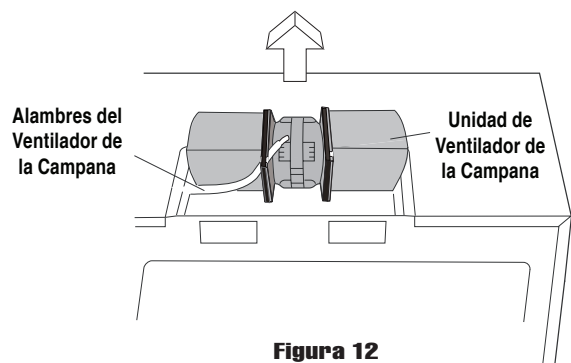
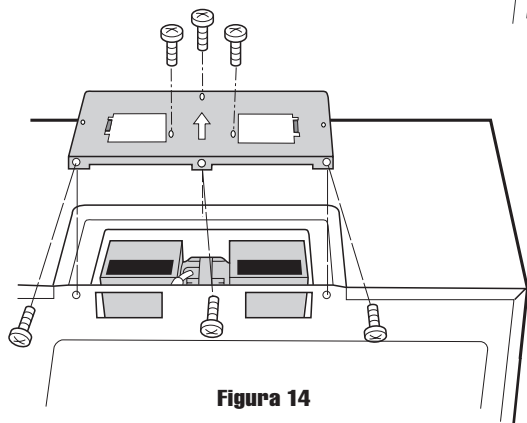
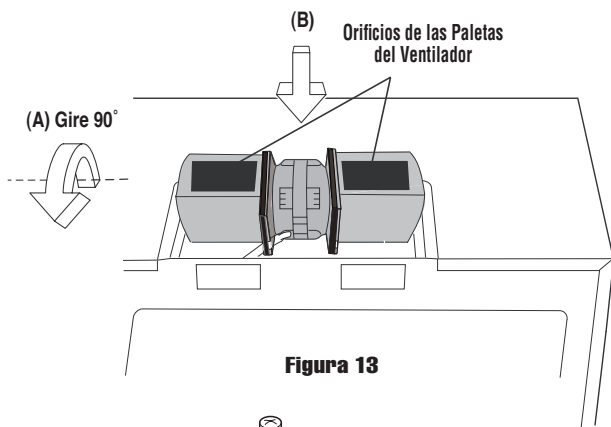


Figura 12

Instrucciones de Instalación



- Coloque la Placa de Montaje con los Pernos de Anclaje sujetos, en el sitio de pared e inserte los Pernos y Tuercas de Anclaje a través de los orificios en la pared con las Tuercas de Anclaje cerradas. Vea la Figura 16. Utilice Tornillos para Madera.

NOTA: Antes de la inserción, asegúrese de dejar un espacio superior al espesor de la pared entre la Placa de Montaje y el extremo de cada una de las Tuercas de Anclaje (en la posición cerrada). Si usted no deja suficiente espacio, la Tuerca de Anclaje no podrá abrirse en el otro lado de la pared. Además, una vez que la Tuerca de Anclaje se abre, ésta no puede retirarse del orificio; por lo tanto asegúrese que todos los Anclajes están en la posición correcta antes de la inserción.

- Alinee cuidadosamente la Placa de Montaje y sostenga en posición mientras aprieta los Pernos de Anclaje. Hale el Perno de Anclaje hacia usted y gire en sentido horario para apretar. Vea la Figura 17.

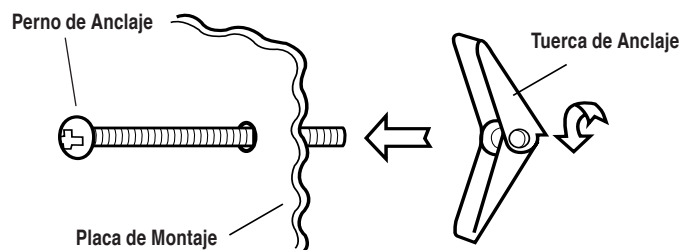


Figura 15

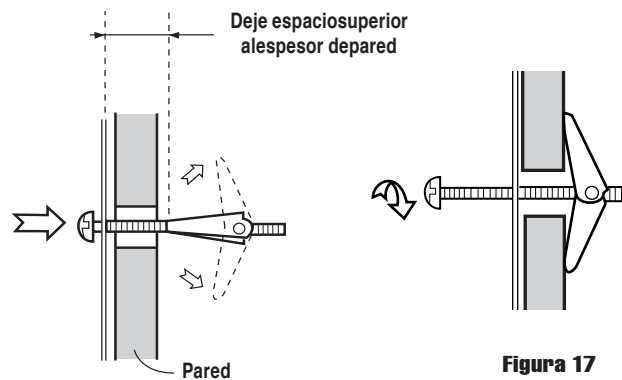


Figura 16

Figura 17

9 INSTALACIÓN DEL HORNO

ESTE HORNO NO PUEDE INSTALARSE APROPIADAMENTE SI NO SE CONSULTAN LAS INSTRUCCIONES DE MONTAJE QUE SE ENCUENTRAN EN AMBAS PLANTILLAS.

EL SIGUIENTE PASO ES LEER Y SEGUIR LA INFORMACIÓN DE MONTAJE QUE SE ENCUENTRA TANTO EN EL GABINETE SUPERIOR Y EN LAS PLANTILLAS DE PARED.

NOTA: ESTE HORNO DEBE SUJETARSE A AL MENOS UNA COLUMNA DE PARED.

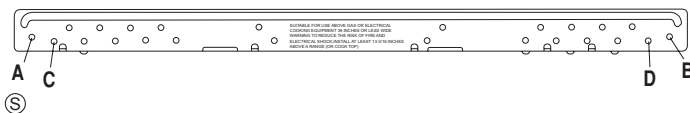
PLACA DE MONTAJE

- Extraiga las tuercas de anclaje, empaquetadas en los HERRAJES DE INSTALACIÓN, de los 4 pernos de anclaje.
- IMPORTANTE** Utilice la plantilla de montaje que se incluye para el uso de tornillos para madera para sujetar la placa de montaje a la columna o columnas. Utilice los pernos de anclaje para sujetar la placa de montaje a través de los orificios en A, B, C y D A MENOS QUE ESTOS ORIFICIOS SE ENCUENTREN UBICADOS SOBRE LA COLUMNA. Inserte un perno de anclaje en A, B, C y D donde sea apropiado (éstos corresponden a los orificios de la plantilla de pared) y coloque las tuercas de anclaje sobre los pernos de anclaje. Vea la Figura 15. Consulte las instrucciones de la plantilla de pared.

MONTAJE DEL HORNO EN LA PARED

Il recommandé d'utiliser deux personnes pour placer le four à micro-ondes et sa hotte sur la plaque de fixation.

- Passez le cordon secteur par le trou fait dans le fond du coffret supérieur.
- Instale el horno inclinándolo hacia delante y deslizándolo sobre las lengüetas de la placa de montaje. Gire el horno arriba tan descansa contra la pared. Vea la Figura 18 de la página 7.
- Utilisez les deux vis de coffret supérieur et deux rondelles plates fournies dans la HERRAJES DE INSTALACIÓN pour fixer l'unité sur le coffret supérieur. Vea la Figura 19 de la página 7.
- Asegurar el fondo del horno a la Placa de Montaje utilice dos Tornillo Auto-perforante de 4 x 8 mm de los HERRAJES DE INSTALACIÓN. Vea la Figura 19 de la página 7.



Instrucciones de Instalación

LISTA DE VERIFICACIÓN PARA INSTALACIÓN

1. Asegúrese que la unidad ha sido instalada de acuerdo con todas las Instrucciones de Instalación y las Plantillas de Pared y las Plantillas del Gabinete Superior..
2. Enchufe el cable de energía.
3. Conserve estas Instrucciones de instalación.

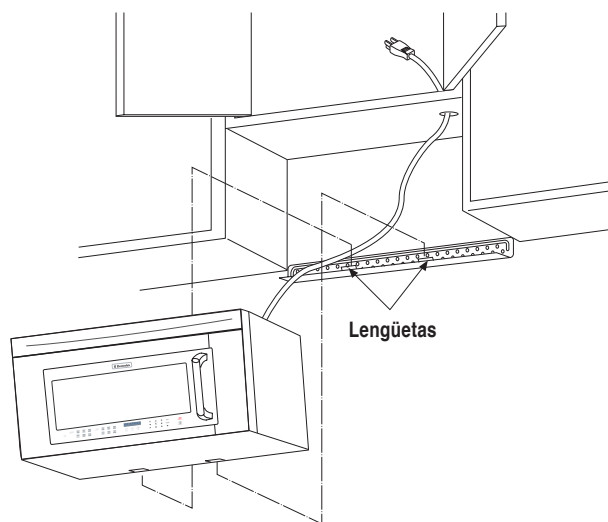


Figura 18

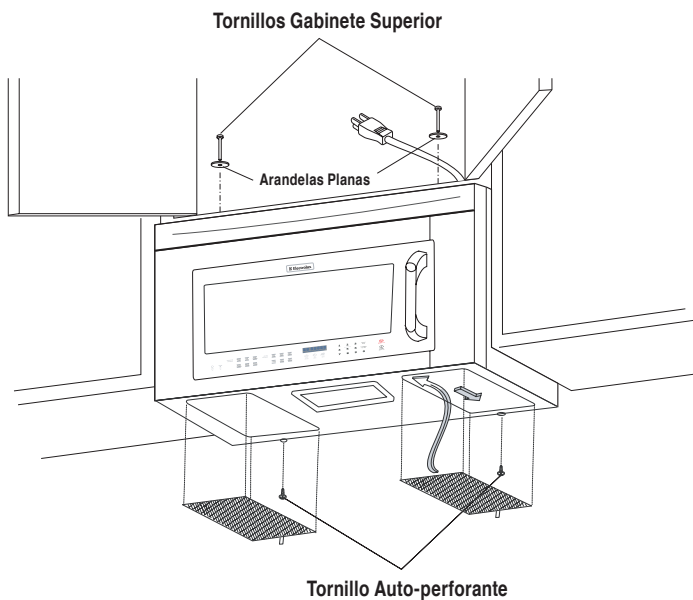


Figura 19

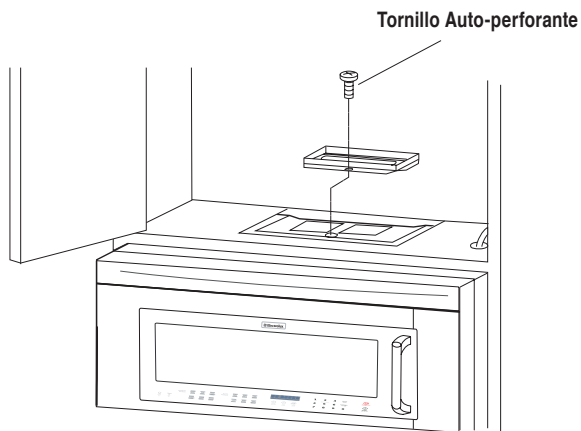


Figura 20

INSTALLATION D'INSTRUCTION

Four à micro-ondes monté au dessus d'une cuisinière

AVANT DE COMMENCER

Lire attentivement la totalité de ces instructions.

- **IMPORTANT** Conserver ces instructions pour l'inspecteur local.
 - **IMPORTANT** Observer tous les règlements et les coordonnées.
 - **NOTE À L'INSTALLATEUR** – Assurez-vous de laisser ces instructions au client.
 - **NOTE AU CLIENT** – Conserver ces instructions pour référence ultérieure.
 - **NIVEAU DE COMPÉTENCE** – L'installation de ce appareil exige des compétences de base en mécanique et en électricité.
- L'installateur est responsable de sa bonne installation.
 - Une panne du produit due à une mauvaise installation n'est pas couverte par la garantie.
 - Veuillez lire attentivement toutes les instructions avant d'installer le four à micro-ondes au-dessus d'une cuisinière. Il est recommandé que deux personnes installent ce produit.
 - Si une nouvelle prise électrique est nécessaire, il faut la faire poser par un électricien qualifié avant d'installer le four à micro-ondes au-dessus d'une cuisinière. Voir 3 INSTRUCTIONS POUR LA MISE À LA TERRE ÉLECTRIQUE à la page 2.

1 ESPACE DE MONTAGE

Le schéma 1 vous montre l'espace de montage nécessaire à Ce four à micro-ondes à hotte intégrée. Il est conçu pour être employé avec des armoires murales standard de 12 po (30,5 cm).

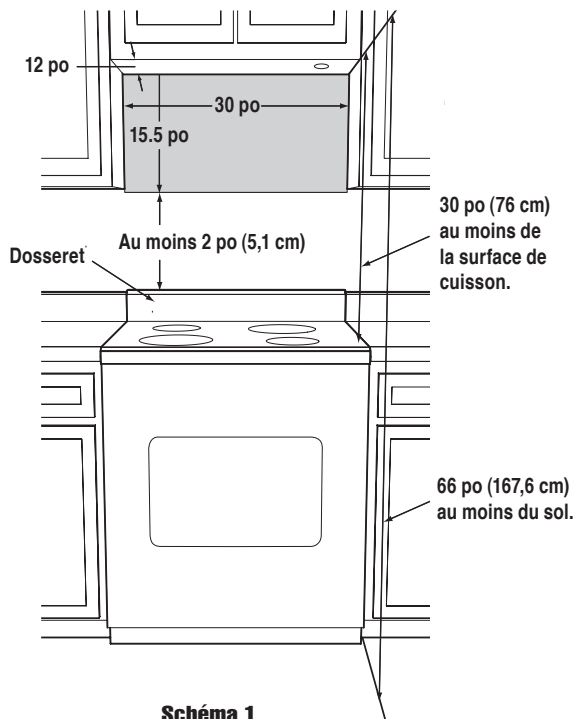


Schéma 1

2 CONSTRUCTION DU MUR

Le four à micro-ondes à hotte intégrée doit être supporté par un mur vertical plat. Pour une installation correcte, le mur doit être plat. Si ce n'est pas le cas, employez des entretoises pour remplir les espaces. La construction du mur doit avoir des poteaux muraux de 2 x 4 po et une cloison sèche ou un plâtrage d'au moins $\frac{3}{8}$ po (9,5 mm) d'épaisseur. Les surfaces de montage doivent pouvoir supporter un poids de 110 lb. (50 kg)— le four et son contenu — ET le poids de tous les articles qui sont normalement entreposés dans l'armoire au-dessus de l'appareil.

L'appareil sera fixé à au moins un poteau mural de 2 x 4 po ou 2 poteaux de 2 x 3 po.

Pour trouver l'emplacement des poteaux muraux, vous pouvez employer une des méthodes suivantes:

- A. Employez un localisateur de montants, un appareil magnétique qui localise les clous dans le poteau.
- B. Frappez doucement avec un marteau le long de la surface de montage pour trouver un son plein. Ceci indiquera l'emplacement du montant.

On peut localiser le centre du poteau vertical en enfonçant un petit clou dans le mur pour trouver les bords du montant, il suffit alors de marquer le centre entre les bords. Le centre des montants suivants se trouvera normalement à 16 ou 24 po (40,6 cm ou à 61 cm) de chaque côté de cette marque.

BESOIN D'AIDE?

Pour un support téléphonique gratuit aux É.-U. et au Canada :
1-877-4ELECTROLUX (1-877-435-3287)

LIRE ATTENTIVEMENT. CONSERVER CES INSTRUCTIONS.

Instructions D'Installation

3 INSTRUCTIONS DE MISE À LA TERRE

Cet appareil doit être mis à la terre. Ce four est équipé d'un cordon d'alimentation avec fil de mise à la terre, et d'une fiche de mise à la terre. Il faut le brancher dans une prise murale qui a été installée correctement et mise à la terre selon le Code national de l'électricité et les codes et décrets locaux. En cas de court-circuit électrique, la mise à la terre réduit les risques de choc électrique en permettant au courant de s'échapper par le fil de mise à la terre.

AVERTISSEMENT - Un mauvais usage de la prise de terre peut causer des chocs électriques.

INSTALLATION ÉLECTRIQUE

Le four est équipé d'une fiche de terre à 3 broches. IL NE FAUT EN AUCUN CAS COUPER OU ENLEVER LA BROCHE DE TERRE DE LA FICHE.

N'UTILISE PAS UNE RALLONGE. Si le cordon d'alimentation fourni est trop court, demandez à un électricien qualifié ou à un réparateur professionnel d'installer une prise à proximité de l'appareil.

Il faut connecter le cordon d'alimentation et la fiche sur un circuit séparé de 120 volts CA, 60 Hz, 15 A ou plus, avec prise murale simple avec terre. La prise doit être située dans l'armoire directement au-dessus de l'emplacement de montage du four à micro-ondes à hotte intégrée. Comme illustré par le schéma 2.

REMARQUE:

1. Si vous avez des questions à propos de l'installation électrique ou de la mise à la terre, consultez un électricien de métier ou un réparateur qualifié.
2. Ni Electrolux ni le revendeur ne peuvent accepter aucune responsabilité des dégâts au four, ou des blessures personnelles résultant du non-respect des procédures correctes de connexion électrique.

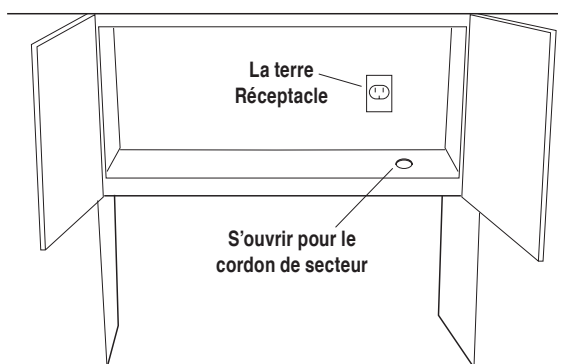


Schéma 2

4 CONDUIT D'ÉVACUATION DE LA HOTTE

Pour une hotte avec évacuation à l'air libre, il faut installer un conduit d'évacuation à la hotte. Tous les conduits doivent être en métal; n'employez aucun conduit en plastique. Vérifiez que toutes les connexions sont bien serrées. Veuillez lire attentivement ce qui suit:

CONNEXION DE L'ÉVACUATION: l'évacuation de la hotte est conçue pour être connectée à un conduit rectangulaire standard de 3 1/4 x 10 po (8,3 cm x 25,4 cm). Si vous avez besoin d'un conduit circulaire, il faut employer un adaptateur rectangulaire à rond.

ÉVACUATION ARRIÈRE: si vous employez une évacuation arrière ou horizontale, il faut faire attention de bien aligner l'évacuation avec l'espace entre les poteaux muraux, ou il faut préparer le mur à l'avance et laisser assez d'espace entre les poteaux muraux pour placer l'évacuation.

LONGUEUR MAXIMUM DU CONDUIT: pour un mouvement d'air suffisant, la longueur totale du conduit rectangulaire de 3 1/4 x 10 po (8,3 cm x 25,4 cm) ou du conduit circulaire de 6 po (15,2 cm) de diamètre ne doit pas dépasser 140 pi. (42,7 m).

Les coudes, adaptateurs, murs, mitres de toit, etc., présentent une résistance supplémentaire au flux d'air et sont équivalents à une section de conduit droit qui est plus long que leur taille réelle. Quand vous calculez la longueur totale, il faut ajouter les longueurs équivalentes de toutes les transitions ou adaptateurs aux sections de conduit droit. Le schéma 3 montre les longueurs équivalentes approximatives de quelques pièces typiques. Employez les valeurs entre parenthèses pour calculer l'équivalence de résistance du flux d'air, dont le total devra être de moins de 140 pi. (42,7 m).

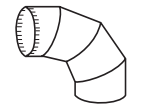
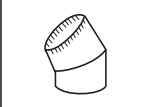
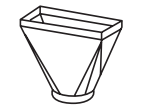
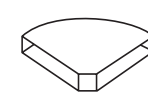
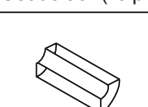
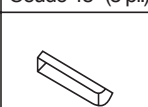
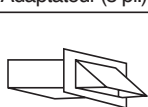

 Coude 90° (10 pi.)	 Coude 45° (5 pi.)	 Adaptateur (5 pi.)	 Coude de 10 (10 pi.)
 Coude 25° (25 pi.)	 Coude 45° (5 pi.)	 Chapeau mur (40 pi.)	 Chapeau toit (24 pi.)

Schéma 3

Instructions D'Installation

5 OUTILS RECOMMANDÉS POUR L'INSTALLATION

- Tournevis Phillips
- Perceuse électrique
- Forets de 1/2", 5/8" et 3/32" (13 – 16 – 8 mm)
- Mèche à bois de 1 1/2" (38 mm) ou coupe-trou dans métal (si un coffret métallique est utilisé)
- Scie pour couper l'ouverture d'évacuation (s'il y a lieu)
- Toile de protection pour le produit et la cuisinière (vous pouvez aussi réutiliser le carton d'emballage)
- Ciseaux
- Crayon
- Mètre
- Bande autocollante

6 MATÉRIEL D'INSTALLATION

Les articles de quincaillerie du matériel d'installation ① à ⑥ sont emballés dans un petit sac. L'ensemble de ces pièces est contenu dans un sachet placé sous le four.

Référence	Description	Quantité
①	Vis à bois 5 x 35 mm	6
②	Boulon à ailettes 3/16 po	4
③	Vis de coffret supérieur 5 x 85 mm	2
④	Rondelle plate diamètre 30 mm	2
⑤	Passe-fils	1
⑥	Vis autotaraudeuse 4 x 8 mm	3
⑦	Ensemble registre d'évacuation	1
⑧	Filtres à graisse	2
⑨	Coussinet arrière	1

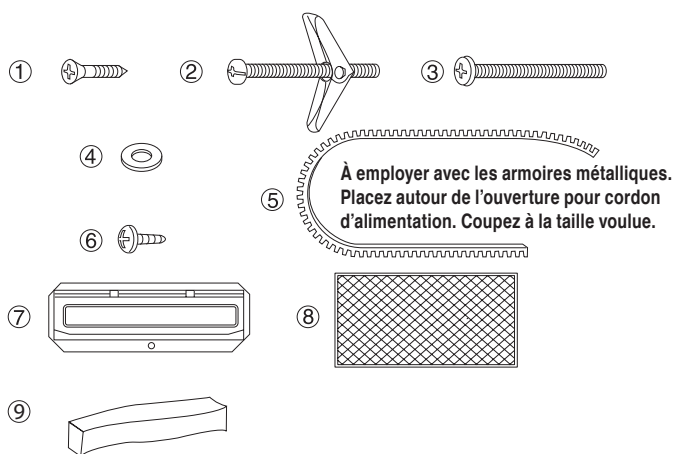


Schéma 4

Pièces montrées à des échelles différentes.

7 PRÉPARATION DU FOUR

1. Ouvrez le fond du carton, basculez les rabats en arrière et basculez le four pour le déposer sur la cale en mousse plastique. Ôtez le carton et sortez tous les emballages de protection, les Instructions d'installation, le gabarit mural, le gabarit de plafond, le plateau tournant et son support. Cependant, N'ENLEVEZ PAS LE CACHE DU GUIDE D'ONDES qui est situé sur le haut de la cavité du four. CONSERVEZ LE CARTON QUI PEUT VOUS FACILITER L'INSTALLATION.
2. VÉRIFIEZ LE FOUR.

Cherchez des dommages éventuels sur le four, comme un mauvais salignement ou une torsion de la porte, des dommages au niveau des joints ou des surfaces d'étanchéité, des cassures ou desserrages de charnières ou de verrouillage, des entailles dans la cavité ou sur la porte. Si vous trouvez un quelconque dommage, ne faites pas fonctionner le four et contactez votre revendeur ou UN SERVICE AGRÉÉ DE DÉPANNAGE ELECTROLUX.

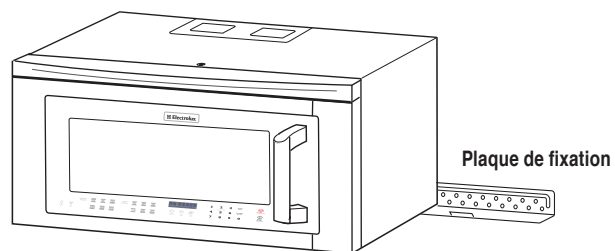


Schéma 5

Instructions D'Installation

8 SYSTÈME DE VENTILATION (PRÉPARATION DU FOUR POUR L'INSTALLATION)

Le four à micro-ondes à hotte intégrée est conçu pour s'adapter à trois types de systèmes de ventilation par hotte. Choisissez le type nécessaire pour votre installation.

RECYCLAGE — Hotte absorbante, à recyclage. Suivez la procédure d'installation (A). Ce type de hotte requiert l'utilisation de filtres à charbon actif, déjà installés dans le four.

ÉCHAPPEMENT HORIZONTAL — Ventilation extérieure. Suivez la procédure d'installation (B).

ÉCHAPPEMENT VERTICAL — Ventilation extérieure. Suivez la procédure d'installation (C).

(A) À RECIRCULATION D'AIR: FONCTIONNEMENT SANS ÉCHAPPEMENT OU TUYAUTERIE

L'unité est livrée pour un fonctionnement à recirculation d'air.

REMARQUE:

1. L'ensemble de d'évacuation 9 n'est pas nécessaire en cas d'évacuation avec recyclage.
2. Les filtres à charbon actif devraient être remplacés tous les 6 à 12 mois, selon la fréquence d'utilisation.

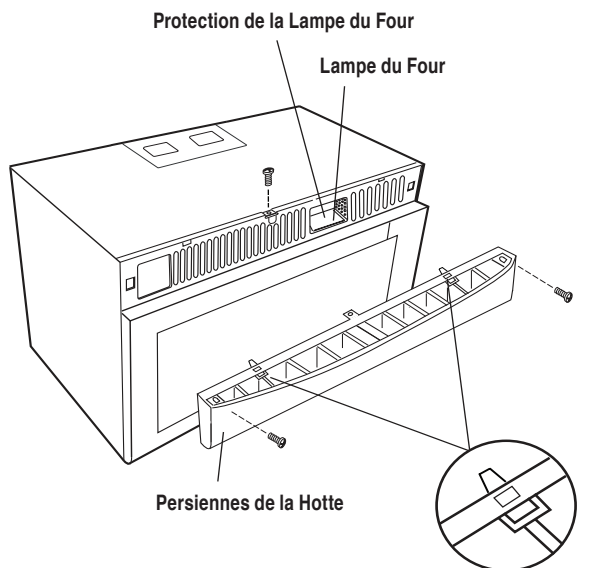


Schéma 6A

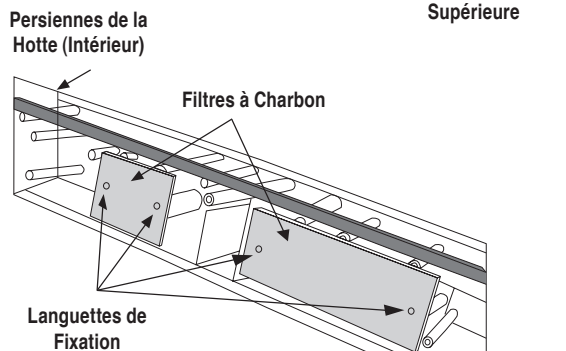


Schéma 6B

(B) ÉCHAPPEMENT HORIZONTAL: VENTILATION EXTÉRIEURE

1. Enlevez les 3 vis du bord inférieur et les 3 vis centrales audessus de la fixation du couvercle de ventilateur. Mettez de côté 3 vis qui seront réutilisées plus tard, et jetez les 3 autres. Enlevez cette pièce en la glissant dans la direction opposée à la flèche marquée dessus, comme illustré sur le Schéma 7.
2. Levez l'unité de ventilation de hotte avec précaution et glissez les fils hors de la cavité (voir le Schéma 8). **ATTENTION: NE TIREZ PAS SUR LES FILS DE CÂBLAGE ET NE LES ÉTIREZ PAS.**
3. Faites pivoter l'unité de ventilation de la hotte de 180° de façon à ce que les ouvertures de pales de ventilateur soient orientées vers l'arrière du four. Voir le schéma 9A, page 5.
4. Remplacez le câble de l'unité de ventilation de (A) à (B). Voir le schéma 9B, page 5. Remplacez l'unité de ventilation de la hotte dans le four. **Faites attention de ne pas pincer le câble et l'unité de ventilation de la hotte.** Voir le schéma 9C, page 5.
5. Placez le fil de connexion dans le coffret de fils. Voir le schéma 10A, page 5.
6. Fixer le registre d'évacuation au Support du Couvercle du Ventilateur en le glissant dans les fentes dans la même direction que la flèche. Utiliser 1 vis autotaraudeuse de 4 x 8 mm de la QUINCAILLERIE D'INSTALLATION et serrer en place. Voir le Schéma 10B, page 5.
7. Cet ensemble sera monté dans le découpage arrière extérieur du registre dans des instructions ultérieures.

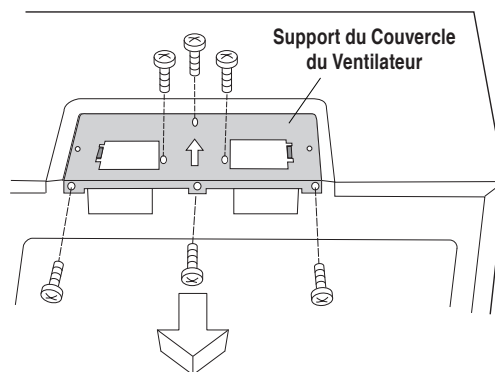


Schéma 7

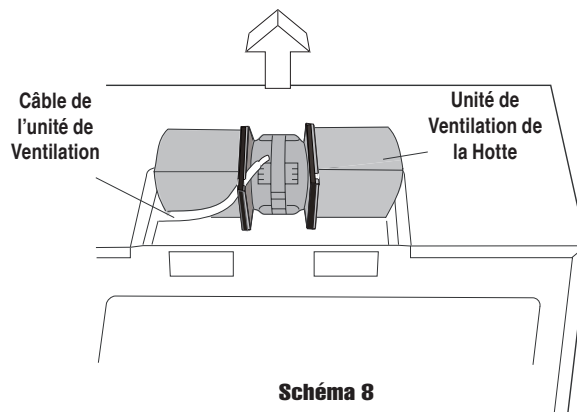
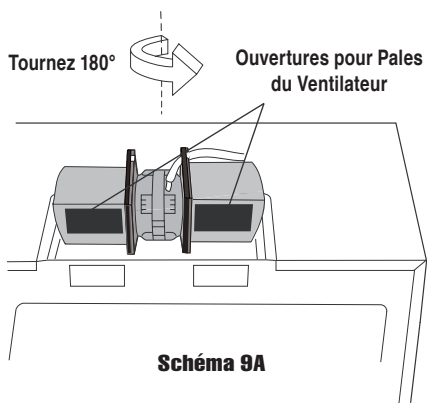
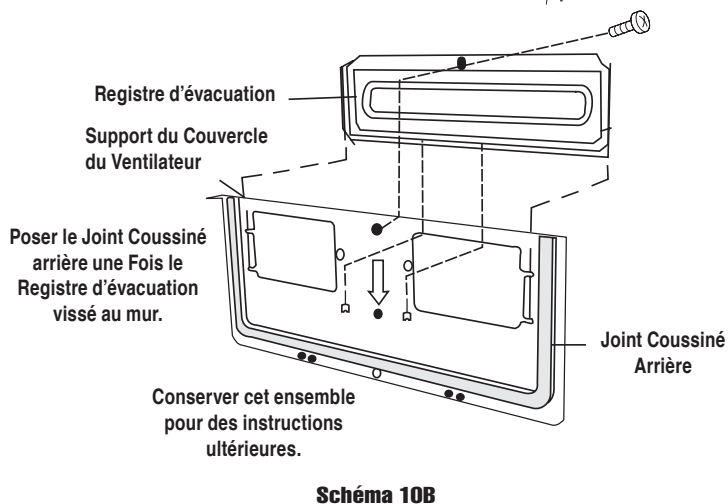
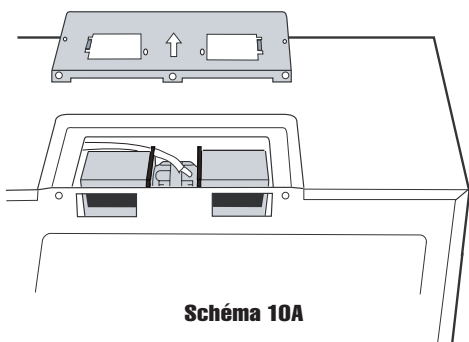
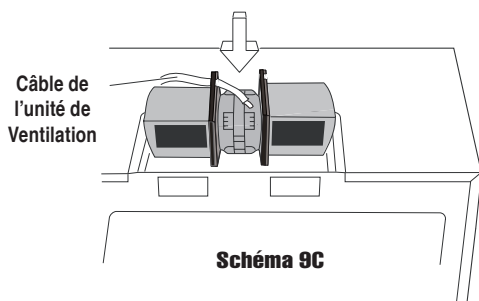
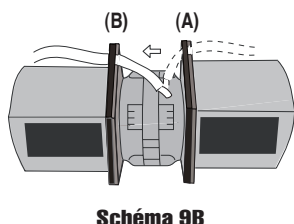


Schéma 8

Instructions D'Installation

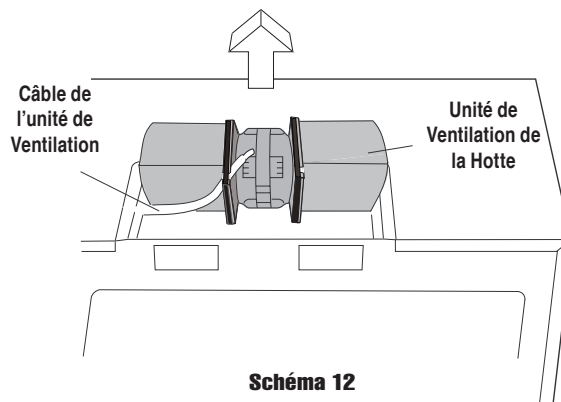
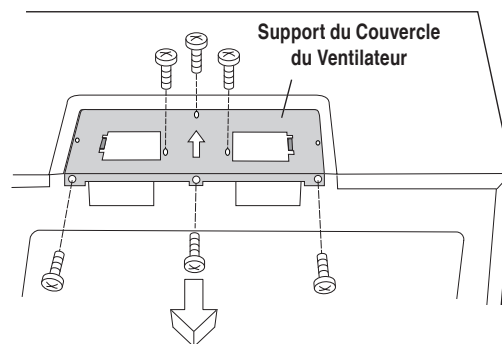


Modifiez la position du fil et placez-le dans l'orifice gauche

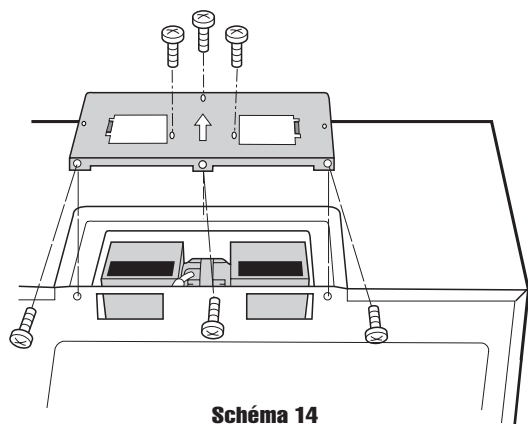
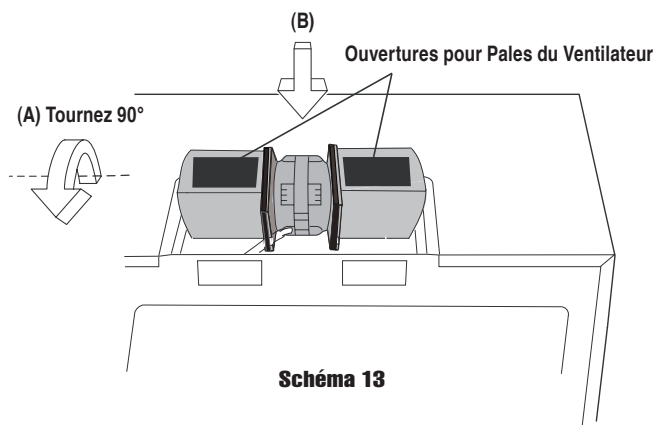


(C) ÉCHAPPEMENT VERTICAL: VENTILATION EXTÉRIURE

1. Enlevez et conservez les 3 vis du bord arrière et les 3 vis centrales au-dessus de la fixation du couvercle du ventilateur. Enlevez la fixation du couvercle du ventilateur en le faisant coulisser dans la direction opposée à celle indiquée par la flèche sur la pièce, comme indiqué à la Schéma 11.
2. Levez l'unité de ventilation de hotte avec précautions et glissez les fils hors de la cavité. Voir le Schéma 12. **ATTENTION : NE TIREZ PAS SUR LES FILS DE CÂBLAGE ET NE LES ÉTIREZ PAS.**
3. Faites pivoter le ventilateur 90° de sorte que les ouvertures de pale de ventilateur fassent face au dessus du four. Voir le schéma 13 (A), page 6. Remplacez le ventilateur dans le four. Faites attention à ne pas pincer le fil de fil entre la fixation intérieure et l'unité de ventilation. Placez le fil de connexion dans la boîte de raccordement. Voir le schéma 13 (B), page 6.
4. Remettez en place la fixation du couvercle de ventilateur en la glissant dans les fentes dans la même direction que la flèche marquée dessus. Assurez-vous que les pales de ventilateur sont visibles au travers des ouvertures à l'arrière avant de poursuivre.
5. Fixez la fixation du couvercle de ventilateur à l'ensemble avec les 3 vis du bord arrière et les 3 vis centrales au-dessus de la fixation du couvercle de ventilateur, enlevées à l'étape 1 précédente (voir le Schéma 14), page 6. L'unité de ventilateur de hotte est maintenant positionnée pour un fonctionnement en évacuation à la verticale.
6. Fixez l'ensemble registre d'évacuation au couvercle de ventilateur sur le dessus du coffret de carter avant de monter le four. Pour fixer l'ensemble registre d'évacuation, reportez-vous à la section MONTAGE MURAL DU FOUR, voir le Schéma 20, page 7.



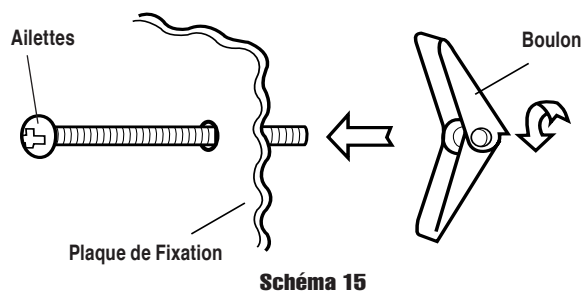
Instructions D'Installation



- Placez la plaque de fixation avec les boulons à ailettes sur le mur et insérez les boulons à ailettes avec leurs écrous dans les trous dans le mur, les ailettes refermées. Voir le schéma 16. Employez les vis à bois pour fixer la plaque de fixation aux poteaux muraux.

REMARQUE: Avant d'insérer les boulons, veillez à laisser un espace supérieur à l'épaisseur du mur entre la plaque de fixation et l'extrémité des écrous à ailettes (en position fermée). Si vous ne laissez pas assez d'espace, l'écrou à ailettes ne pourra pas s'ouvrir de l'autre côté du mur. En outre, une fois que les ailettes sont ouvertes, on ne peut plus enlever le boulon du mur, il faut donc veiller à ce que les boulons à ailettes soient dans la bonne position avant de les insérer.

- Alignez soigneusement la plaque de fixation et tenez-la en place pendant que vous serrez les boulons à ailettes. Tirez les boulons à ailettes vers vous et vissez dans le sens des aiguilles d'une montre. Voir le schéma 17.



9 INSTALLATION DE FOUR

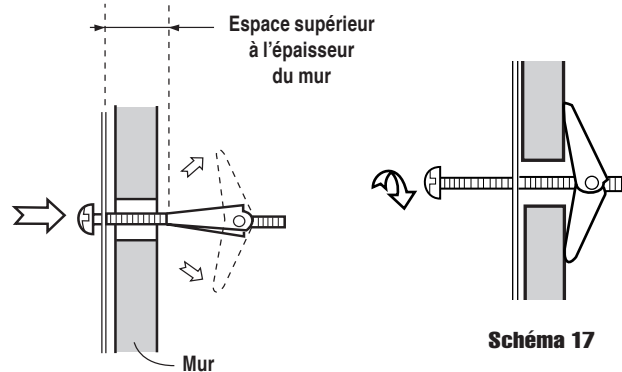
CE FOUR NE PEUT ÊTRE INSTALLÉ CONVENABLEMENT QUE SI L'ON SE RÉFÈRE AUX INSTRUCTIONS DE MONTAGE QUI SE TROUVENT SUR LES DEUX GABARITS.

L'ÉTAPE SUIVANTE EST DE LIRE ET DE SUIVRE LES RENSEIGNEMENTS DE MONTAGE QUI SE TROUVENT SUR LES GABARITS D'ARMOIRE SUPÉRIEURE ET DE MUR.

REMARQUE: CE FOUR DOIT ÊTRE FIXÉ À AU MOINS UN POTEAU MURAL.

PLAQUE DE FIXATION

- Séparez les 4 boulons à ailettes, emballés avec le MATÉRIEL d'INSTALLATION, des écrous à ailettes.
- IMPORTANT** Utilisez le gabarit de montage fourni ainsi que les vis à bois pour monter la plaque de fixation sur le ou les montants. Utilisez ensuite les boulons à ailettes pour monter la plaque de fixation en utilisant les orifices A, B, C et D, SAUF SI CES ORIFICES TOMBENT SUR LES MONTANTS. Insérez un boulon où il y a lieu en A, B, C ou D (correspondant aux orifices du gabarit mural), puis vissez les ailettes articulées (voir le Schéma 15). Reportez-vous aux instructions du gabarit mural.



MONTAGE MURAL DU FOUR

Il est recommandé d'utiliser deux personnes pour placer le four à micro-ondes et sa hotte sur la plaque de fixation.

- Passez le cordon secteur par le trou fait dans le fond du coffret supérieur.
- Installez le four en le faisant pencher vers l'avant, puis en le faisant glisser sur les deux languettes de la plaque de fixation. Poussez le four vers le haut et vers l'arrière de sorte qu'il cale contre le mur. Voir le schéma 18, page 7.
- Utilisez les deux vis de coffret supérieur et deux rondelles plates fournies dans la PIÈCES D'INSTALLATION pour fixer l'unité sur le coffret supérieur. Voir le schéma 19, page 7.
- Fixez le fond du four sur la plaque de fixation en vous servant de deux vis autotaradeuses 4 x 8 mm dans les PIÈCES D'INSTALLATION. Voir le schéma 19, page 7.

Instructions D'Installation

PENSE-BÊTE POUR L'INSTALLATION

1. Assurez-vous que l'appareil a été installé en suivant toutes les instructions et en utilisant le gabarit mural et de plafond.
2. Branchez le cordon d'alimentation secteur.
3. Conservez ces Instructions d'installation.

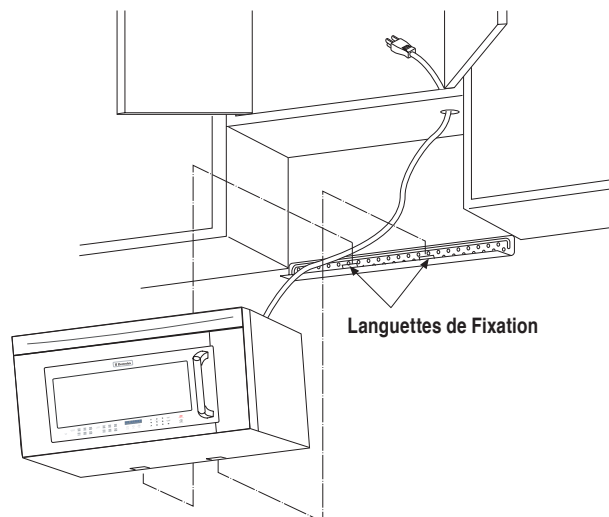


Schéma 18

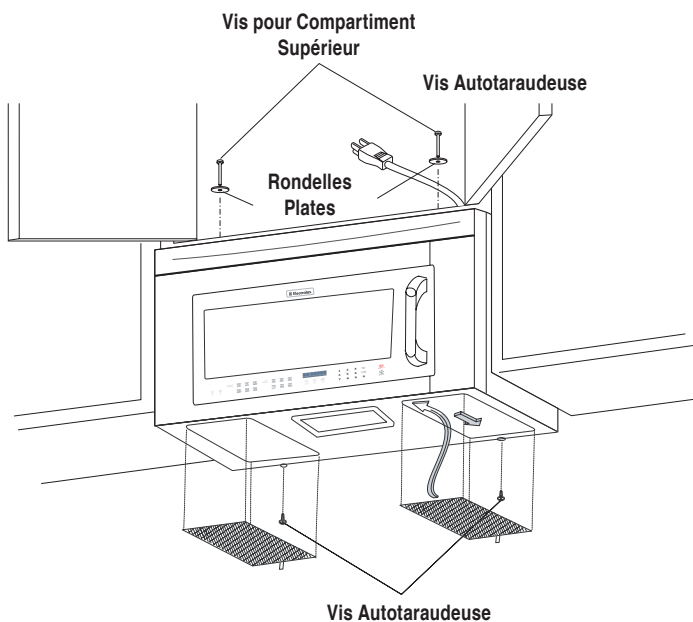


Schéma 19

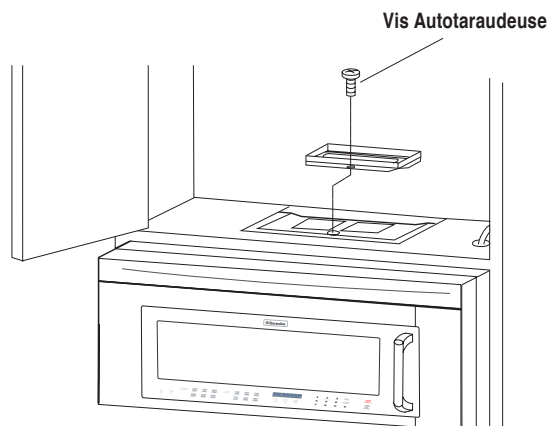


Schéma 20

