

ELECTRIC INDUCTION COOKTOP INSTALLATION INSTRUCTIONS

INSTRUCTIONS D'INSTALLATION DE LA TABLE DE CUISSON ÉLECTRIQUE À INDUCTION

Table of Contents/Table des matières

COOKTOP SAFETY 1 INSTALLATION REQUIREMENTS 2 Parts 2 Location Requirements 2 Electrical Requirements 3 INSTALLATION INSTRUCTIONS 4 Prepare Location 4 Install Mounting Clips 4 Install Cooktop 4 Make Electrical Connection 5 Complete Installation 6	SÉCURITÉ DE LA TABLE DE CUISSON 7 EXIGENCES D'INSTALLATION 7 Pièces 7 Exigences d'emplacement 7 Spécifications électriques 9 INSTRUCTIONS D'INSTALLATION 10 Préparation de l'emplacement 10 Installation des pinces de montage 10 Installation de la table de cuisson 10 Raccordement électrique 11 Achever l'installation 12
--	--

COOKTOP SAFETY

Your safety and the safety of others are very important.

We have provided many important safety messages in this manual and on your appliance. Always read and obey all safety messages.



This is the safety alert symbol.

This symbol alerts you to potential hazards that can kill or hurt you and others.

All safety messages will follow the safety alert symbol and either the word "DANGER" or "WARNING."

These words mean:

⚠ DANGER

You can be killed or seriously injured if you don't immediately follow instructions.

⚠ WARNING

You can be killed or seriously injured if you don't follow instructions.

All safety messages will tell you what the potential hazard is, tell you how to reduce the chance of injury, and tell you what can happen if the instructions are not followed.

IMPORTANT:

Save for local electrical inspector's use.

IMPORTANT :

À conserver pour consultation par l'inspecteur local des installations électriques.

INSTALLATION REQUIREMENTS

Parts

Gather the required parts before starting installation.

Parts Supplied

- Mounting clips (4)
- UL listed or CSA approved wire cable

Parts Needed

- UL listed or CSA approved strain relief

- UL listed wire connectors
- UL approved junction box or 240V outlet

Check local codes. Check existing electrical supply. See “Electrical Requirements.”

It is recommended that all electrical connections be made by a licensed, qualified electrical installer.

Location Requirements

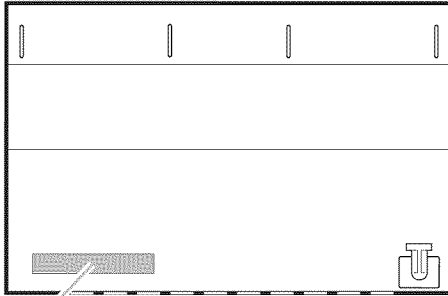
Make sure you have everything needed for correct installation. It is the responsibility of the installer to comply with the installation clearances specified in these instructions.

IMPORTANT: Observe all governing codes and ordinances. When installing cooktop, use minimum dimensions given.

- To eliminate the risk of burns or fire by reaching over the heated surface units, cabinet storage space located above the surface units should be avoided. If cabinet storage is to be provided, the risk can be reduced by installing a range hood that projects horizontally a minimum of 5" (12.7 cm) beyond the bottom of the cabinets.
- It is the installer's responsibility to comply with installation clearances specified on the model/serial rating plate. The model/serial rating plate is located on the underside of the cooktop burner box.

- Ovens approved for this type of installation will have an approval label located on the top of the oven. If you do not find this label, contact your dealer to confirm that your oven is approved. Refer to the oven manufacturer's Installation Instructions for approval for built-in undercounter use and proper cutout dimensions.
- When installing the cooktop over an undercounter built-in oven, do not fasten the cooktop to the countertop with clamps or seal the cooktop to the countertop. This will make the cooktop easier to remove if future servicing becomes necessary.
- Use the countertop opening dimensions that are given with these Installation Instructions. Given dimensions are minimum clearances and provide 0" (0 cm) clearance.
- Grounded electrical supply is required. See “Electrical Requirements” section.

Cooktop Model/Serial Rating Plate Location

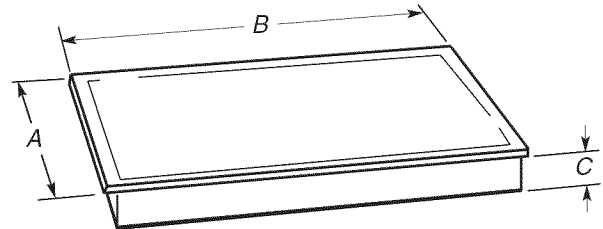


A

A. Model/serial rating plate location

Product Dimensions

Cooktop



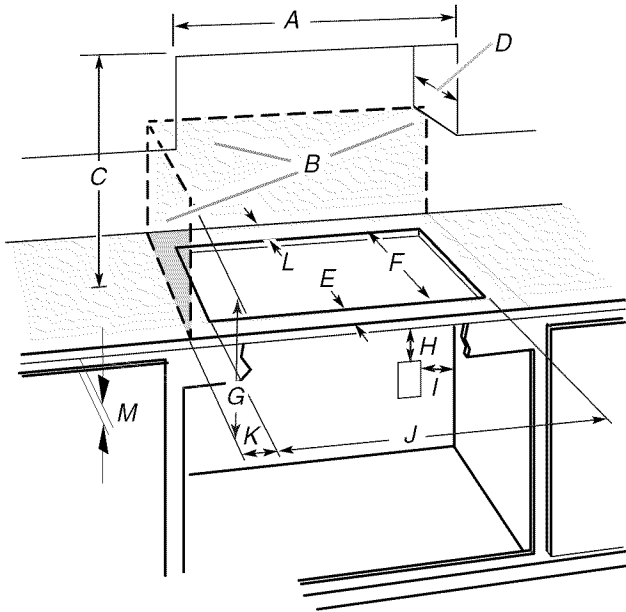
A. 20" (51.0 cm)

B. 23" (58.0 cm)

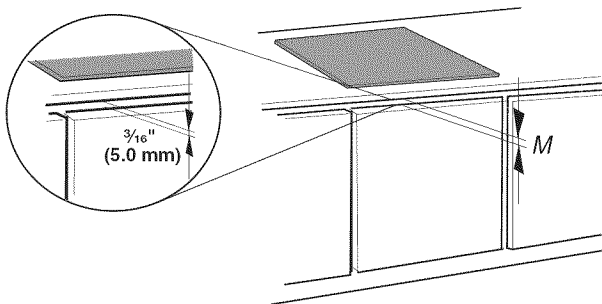
C. 2" (5.1 cm)

Cabinet Dimensions

IMPORTANT: If you are installing a range hood or microwave hood combination above the range, follow the range hood or microwave hood combination installation instructions for dimensional clearances above the cooktop surface.



- A. 23½" (60.0 cm)
- B. Combustible area above countertop (shown by dashed box above)
- C. 30" (76.2 cm) minimum clearance between top of cooktop platform and bottom of uncovered wood or metal cabinet (24" [61.0 cm] minimum clearance if bottom of wood or metal cabinet is covered by not less than ¼" [0.6 cm] flame retardant millboard covered with not less than No. 28 MSG sheet steel, 0.015" [0.04 cm] stainless steel, or 0.024" [0.06 cm] aluminum or 0.020" [0.05 cm] copper)
- D. 13" (33.0 cm) recommended upper cabinet depth
- E. 2" (5.1 cm)
- F. 19" (49.0 cm)
- G. 18" (45.7 cm) minimum clearance from upper cabinet to countertop within minimum horizontal clearances to cooktop
- H. Junction box or outlet; 12" (30.5 cm) minimum from bottom of countertop
- I. Junction box or outlet; 10" (25.4 cm) from right-hand side of cabinet
- J. 22" (56.0 cm)
- K. 4" (10.0 cm) minimum distance to nearest left and right side combustible surface above cooktop
- L. 2" (5.1 cm) minimum clearance between back wall and countertop
- M. **IMPORTANT:** For proper ventilation, provide a vent of ⅜" (5 mm) under the countertop, in the front of the cabinet. The ventilation opening is to extend the full length of the cooktop cutout. See the following illustration.



NOTES: After you make the countertop cutout, some installations may require notching down the base cabinet side walls to clear the cooktop base. To avoid this modification, use a base cabinet with sidewalls wider than the cutout.

If the cabinet has a drawer, a 5½" (13 cm) depth clearance from the countertop to the top of the drawer (or other obstruction) in the base cabinet is required.

Electrical Requirements

⚠ WARNING



Electrical Shock Hazard

Disconnect power before servicing.

Use 8 gauge copper wire.

Electrically ground cooktop.

Failure to follow these instructions can result in death, fire, or electrical shock.

If codes permit and a separate ground wire is used, it is recommended that a qualified electrical installer determine that the ground path and wire gauge are in accordance with local codes.

Check with a qualified electrical installer if you are not sure the cooktop is properly grounded.

It is not recommended to have a fuse in the neutral or ground circuit.

Make sure that the electrical connection and wire size are adequate and in conformance with the CSA Standards C22.1-94, Canadian Electrical Code, Part 1 and C22.2 No. O-M91-latest edition, and all local codes and ordinances.

A copy of the above code standards can be obtained from:

CSA International
178 Rexdale Boulevard
Toronto, Ontario
Canada M9W 1R3

Before You Make the Electrical Connection:

To properly install your cooktop, you must determine the type of electrical connection you will be using and follow the instructions provided for it here.

- A 4-wire or 3-wire, single phase, 240 volt, 60 Hz., AC only electrical supply is required on a separate circuit, fused on both sides of the line.
- The cooktop should be connected directly to the junction box through flexible, armored or nonmetallic sheathed, copper cable. The flexible, armored cable extending from the fuse box or circuit breaker box should be connected directly to the junction box.

- Locate the junction box to allow as much slack as possible between the junction box and the cooktop so that the cooktop can be moved if servicing becomes necessary in the future.
- Do not cut the conduit. The length of conduit provided is for serviceability of the cooktop.
- A UL listed or CSA approved conduit connector must be provided at each end of the power supply cable (at the cooktop and at the junction box). A listed conduit connector is already provided at the cooktop.

- If the house has aluminum wiring, follow the procedure below:
 1. Connect a section of solid copper wire to the pigtail leads.
 2. Connect the aluminum wiring to the added section of copper wire using special connectors and/or tools designed and UL listed for joining copper to aluminum.
 Follow the electrical connector manufacturer's recommended procedure. Aluminum/copper connection must conform with local codes and industry accepted wiring practices.

INSTALLATION INSTRUCTIONS

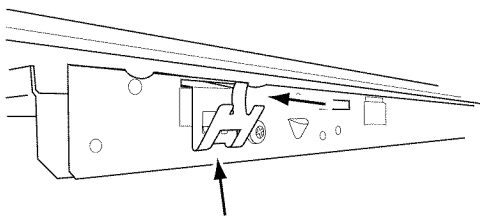
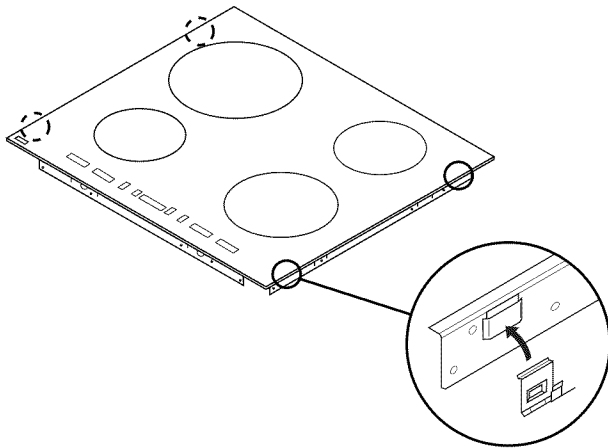
Prepare Location

1. Decide on the final location for the cooktop.

NOTE: Countertop must be 1 $\frac{3}{8}$ " (3.0 cm) to 2" (5.1 cm) thick.
2. If necessary, make cutout in countertop before installing cooktop. See "Location Requirements" section for more information.
3. Clean cutout of any remaining dust and debris.

Install Mounting Clips

1. Using 2 or more people, place the cooktop upside down on a covered surface using the foam end posts from the packaging.
2. Insert the mounting clips (provided) into the 4 pockets along the sides of the metallic frame under the glass top.



Insert bottom of mounting clip into bottom of pocket and push top over top of pocket to snap into place.

Install Cooktop

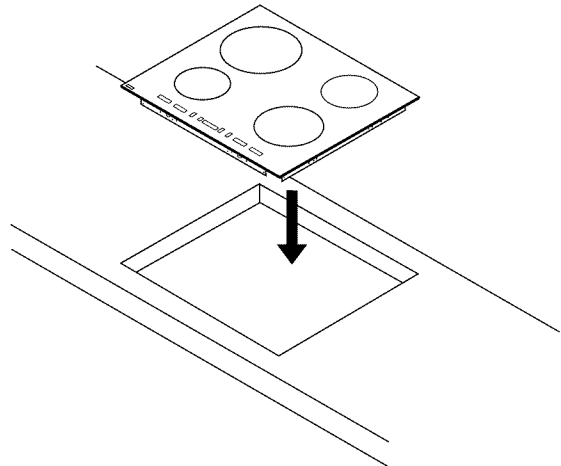
⚠ WARNING

Excessive Weight Hazard

**Use two or more people to move and install cooktop.
Failure to do so can result in back or other injury.**

1. Using 2 or more people, place the cooktop right side up and insert into cutout.

NOTE: Verify that the front edge of the cooktop is parallel to the front edge of the countertop. If repositioning is necessary, remove the cooktop from the cutout completely to avoid scratching the countertop.



Make Electrical Connection

⚠ WARNING



Electrical Shock Hazard

Disconnect power before servicing.

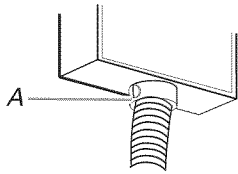
Use 8 gauge copper wire.

Electrically ground cooktop.

Failure to follow these instructions can result in death, fire, or electrical shock.

This cooktop is manufactured with a frame-connected, green (or bare) ground wire.

1. Disconnect power.
2. Remove junction box cover if it is present.
3. Connect the flexible cable conduit from the cooktop to the junction box using a UL listed or CSA approved conduit connector.

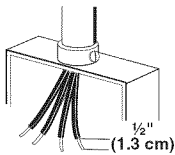


A. UL listed or CSA approved conduit connector

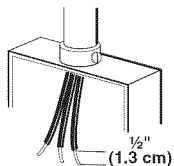
4. Tighten screws on conduit connector if present.
5. See "Electrical Connection Options Chart" to complete installation for your type of electrical connection.

Electrical Connection Options Chart

If Your Home Has:	Go to Section:
4-wire	4-Wire Cable from Power Supply

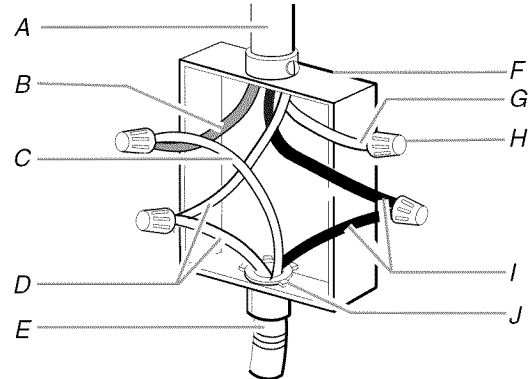


3-wire	3-Wire Cable from Power Supply
--------	--------------------------------



4-Wire Cable from Power Supply to 3-Wire Cable from Cooktop

IMPORTANT: Use the 4-wire cable from power supply where local codes do not permit connecting the frame-ground conductor to the neutral (white) junction box wire.



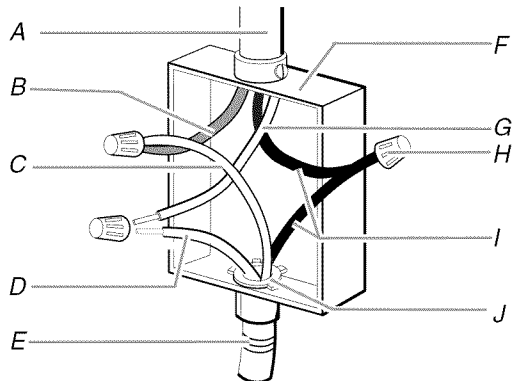
- | | |
|--|--|
| A. 4-wire cable from power supply | F. Junction box |
| B. Red wire from power supply | G. White wire from power supply |
| C. White wire from cooktop cable | H. UL listed wire connector |
| D. Green (or bare) ground wires from cooktop cable | I. Black wires |
| E. 3-wire cable from cooktop | J. UL listed or CSA approved conduit connector with wire bushing |

1. Connect the red wire (B) (in the junction box) to the white wire (C) from the cooktop cable using a UL listed wire connector.
2. Connect the green (or bare) ground wire (D) from the cooktop cable to the green (or bare) ground wire (in the junction box) using a UL listed wire connector.
3. Put a UL listed wire connector on the end of the white wire (G).

NOTE: Do not connect the green (or bare) ground wire to the neutral (white) wire in the junction box.
4. Connect the 2 black wires (I) together using a UL listed wire connector.
5. Install junction box cover.

3-Wire Cable from Power Supply to 3-Wire Cable from Cooktop

IMPORTANT: Use the 3-wire cable from power supply where local codes permit connecting the frame-ground conductor to the neutral (white) junction box wire.



- | | |
|---|--|
| A. 3-wire cable from power supply | F. Junction box |
| B. Red wire from power supply | G. White wire from power supply |
| C. White wire from cooktop cable | H. UL listed wire connector |
| D. Green (or bare) ground wire from cooktop cable | I. Black wires |
| E. 3-wire cable from cooktop | J. UL listed or CSA approved conduit connector with wire bushing |

1. Connect the red wire (B) to the white wire (C) from the cooktop cable using a UL listed wire connector.
2. Connect the green (or bare) cooktop cable wire (D) to the white (neutral) wire (G) in the junction box using a UL listed wire connector.
3. Connect the 2 black wires (I) together using a UL listed wire connector.
4. Install junction box cover.

Complete Installation

1. Check that all parts are now installed. If there is an extra part, go back through the steps to see which step was skipped.
2. Check that you have all your tools.
3. Dispose of/recycle all packaging materials.
4. Use a mild solution of liquid household cleaner and warm water to clean cooktop before use. Dry thoroughly with a soft cloth. For more information, see the "Cooktop Care" section of the Use and Care Guide.
5. Read "Cooktop Use" in the cooktop Use and Care Guide.
6. Plug power cord into appropriate outlet. Turn power on.

NOTE: If the cooktop does not work after turning on the power, check that a circuit breaker has not tripped or a household fuse has not blown. See "Troubleshooting" section in the Use and Care Guide for further information.

If you need Assistance or Service:

Please reference the "Assistance or Service" section of the Use and Care Guide or contact the dealer from whom you purchased your cooktop.

SÉCURITÉ DE LA TABLE DE CUISSON

Votre sécurité et celle des autres est très importante.

Nous donnons de nombreux messages de sécurité importants dans ce manuel et sur votre appareil ménager. Assurez-vous de toujours lire tous les messages de sécurité et de vous y conformer.



Voici le symbole d'alerte de sécurité.

Ce symbole d'alerte de sécurité vous signale les dangers potentiels de décès et de blessures graves à vous et à d'autres.

Tous les messages de sécurité suivront le symbole d'alerte de sécurité et le mot "DANGER" ou "AVERTISSEMENT". Ces mots signifient :

⚠ DANGER

Risque possible de décès ou de blessure grave si vous ne suivez pas immédiatement les instructions.

⚠ AVERTISSEMENT

Risque possible de décès ou de blessure grave si vous ne suivez pas les instructions.

Tous les messages de sécurité vous diront quel est le danger potentiel et vous disent comment réduire le risque de blessure et ce qui peut se produire en cas de non-respect des instructions.

EXIGENCES D'INSTALLATION

Rassembler les pièces nécessaires avant de commencer l'installation.

Pièces fournies

- Attaches de montage (4)
- Câble (homologation UL ou CSA)

Pièces nécessaires

- Serre-câble (homologation UL ou CSA)

Pièces

- Connecteurs de fils (homologation UL)
- Boîtier de connexion ou prise de 240 V homologué(e) UL

Consulter les codes locaux. Vérifier l'alimentation électrique existante. Voir "Spécifications électriques".

On recommande que toutes les connexions électriques soient effectuées par un électricien qualifié et certifié.

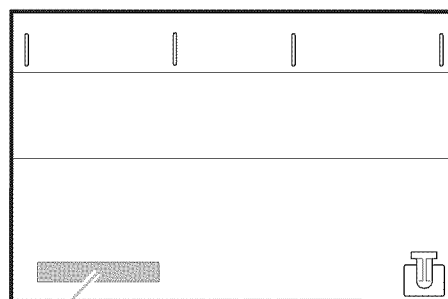
Exigences d'emplacement

S'assurer d'avoir tout le nécessaire pour une installation convenable. C'est à l'installateur qu'incombe la responsabilité de se conformer aux dégagements de séparation spécifiés dans ces instructions.

IMPORTANT : Observer les dispositions de tous les codes et règlements en vigueur. Lors de l'installation de la table de cuisson, utiliser les dimensions minimales indiquées.

- Afin de supprimer le risque de brûlures ou d'incendie en se penchant au-dessus des unités de surface chauffées, le rangement en armoire au-dessus des unités de surface doit être évité. Si des placards de rangement sont envisagés, le risque peut être réduit par l'installation d'une hotte de cuisine dépassant le bas des placards d'au moins 5" (12,7 cm) horizontalement.
- C'est à l'installateur qu'incombe la responsabilité de respecter les distances de séparation exigées, spécifiées sur la plaque signalétique de l'appareil. La plaque signalétique des numéros de modèle et de série est située sur la face inférieure de la boîte de brûleur de la table de cuisson.

Emplacement de la plaque signalétique de la table de cuisson



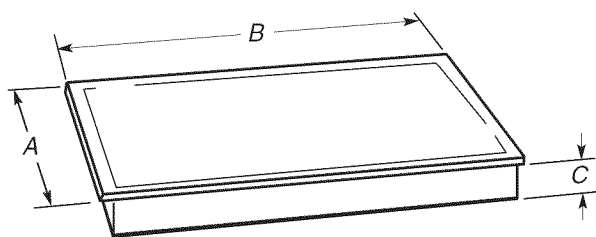
A

A. Emplacement de la plaque signalétique

- Les fours approuvés pour ce type d'installation comportent une étiquette d'approbation située sur le dessus du four. Si vous ne trouvez pas cette étiquette, contactez votre marchand pour confirmer que le four est bien approuvé. Consulter les Instructions d'installation du fabricant du four pour déterminer si l'utilisation en encastrement sous un comptoir est approuvée et pour obtenir les dimensions correctes de l'ouverture.
- Lors de l'installation de la table de cuisson sur un four encastré, ne pas fixer la table de cuisson au comptoir avec des brides, ni sceller la table de cuisson au plan de travail. Ceci facilitera la dépose de la table de cuisson plus tard en cas de nécessité de réparation.
- Utiliser les dimensions d'ouverture du plan de travail qui sont indiquées dans ces Instructions d'installation. Les dimensions données sont les espacements minimaux et fournissent un dégagement de 0" (0 cm).
- Une source d'électricité avec liaison à la terre est nécessaire. Voir la section "Spécifications électriques".

Dimensions du produit

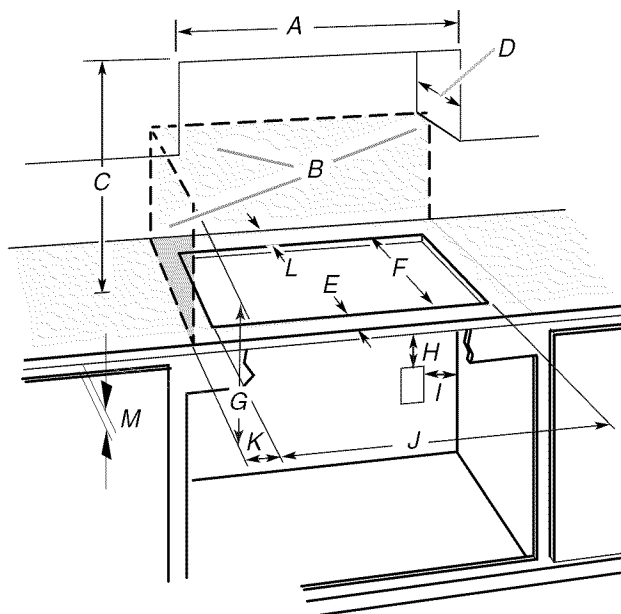
Tables de cuisson



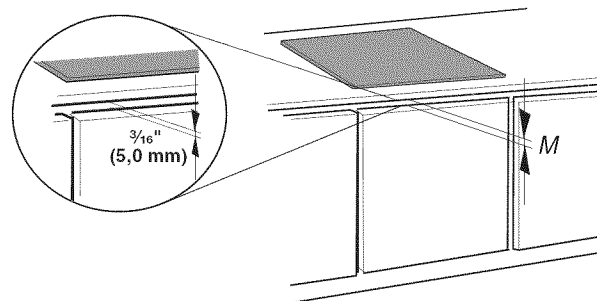
- A. 20" (51,0 cm)
- B. 23" (58,0 cm)
- C. 2" (5,1 cm)

Dimensions du placard

IMPORTANT : En cas d'installation d'une hotte ou d'un ensemble hotte/micro-ondes au-dessus de la cuisinière, suivre les instructions d'installation fournies avec la hotte ou l'ensemble hotte/micro-ondes concernant les dimensions de dégagement à respecter au-dessus de la surface de la table de cuisson.



- A. 23½" (60,0 cm)
- B. Zone de matière combustible au-dessus du plan de travail (espace délimité par des lignes pointillées ci-dessus)
- C. Distance minimale de séparation de 30" (76,2 cm) entre le dessus de la table de cuisson et le fond d'un placard métallique ou de bois non couvert (distance de séparation de 24" [61,0 cm] ou plus si le fond du placard de métal ou de bois est recouvert d'une plaque d'au moins ¼" (0,6 cm) de matériau résistant aux flammes, lui-même recouvert d'une feuille métallique d'une épaisseur correspondant à un calibre de 28 au moins pour l'acier, 0,015" [0,04 cm] pour l'acier inoxydable, 0,024" [0,06 cm] pour l'aluminium ou 0,020" [0,05 cm] pour le cuivre)
- D. Profondeur recommandée pour les placards supérieurs : 13" (33,0 cm)
- E. 2" (5,1 cm)
- F. 19" (49,0 cm)
- G. Distance de séparation minimale de 18" (45,7 cm) entre le placard supérieur et le plan de travail avec distance minimale de séparation horizontale pour la table de cuisson
- H. Boîtier de connexion ou prise électrique; 12" (30,5 cm) ou plus depuis le bas du plan de travail
- I. Boîtier de connexion ou prise électrique; 10" (25,4 cm) depuis le côté droit du placard
- J. 22" (56,0 cm)
- K. Distance de séparation minimale de 4" (10,0 cm) par rapport à la surface de matériau combustible la plus proche, à gauche ou à droite au-dessus de la table de cuisson
- L. Distance de séparation minimale de 2" (5,1 cm) ou plus entre la paroi arrière et le plan de travail
- M. **IMPORTANT :** Laisser une ouverture d'aération de 3/16" (5 mm) sous le plan de travail, à l'avant du placard pour une ventilation adéquate. L'ouverture d'aération doit être équivalente à la longueur de l'ouverture d'installation de la table de cuisson. Voir l'illustration ci-dessous.



REMARQUES : Après le découpage de l'ouverture dans le plan de travail, il est possible que pour certaines configurations d'installation, il soit nécessaire d'entailler les parois latérales du placard inférieur pour permettre le passage de la base de la table de cuisson. Pour éviter cette modification, utiliser un placard

inférieur dont la largeur des parois latérales est supérieure à celle de l'ouverture découpée.

Si le placard comporte un tiroir, on devra ménager une distance de séparation de 5 1/8" (13 cm) entre le plan de travail et le sommet du tiroir (ou autre obstruction) dans le placard inférieur.

Spécifications électriques

⚠ AVERTISSEMENT



Risque de choc électrique

Déconnecter la source de courant électrique avant l'entretien.

Utiliser du fil en cuivre de calibre 8.

Relier la table de cuisson à la terre.

Le non-respect de ces instructions peut causer un décès, un incendie ou un choc électrique.

Si on utilise un conducteur distinct de liaison à la terre lorsque les codes le permettent, il est recommandé qu'un électricien qualifié vérifie que la liaison à la terre et le calibre pour fils sont conformes aux codes locaux.

Vérifier avec un électricien qualifié si vous avez des doutes quant à la qualité de la liaison à la terre de la table de cuisson.

Il n'est pas recommandé d'installer un fusible dans le conducteur neutre ou le conducteur de liaison à la terre.

S'assurer que la connexion électrique et le calibre des fils sont appropriés et conformes au CSA C22.1-94, au Code canadien de l'électricité, Partie 1 et C22.2 N° O-M91 – dernière édition, et à tous les codes et règlements locaux.

Pour obtenir un exemplaire des normes des codes ci-dessus, contacter :

CSA International
178 Rexdale Boulevard
Toronto, Ontario
Canada M9W 1R3

Avant d'établir la connexion électrique :

Pour installer la table de cuisson correctement, il faut établir le type de raccords électriques que l'on utilisera et suivre les instructions indiquées ici.

- L'appareil doit être alimenté par un circuit monophasé de 240 V CA seulement, 60 Hz à 4 fils ou 3 fils, sur un circuit séparé, fusionné aux deux extrémités de la ligne.
- La table de cuisson doit être raccordée directement au boîtier de connexion par l'intermédiaire d'un câble flexible à conducteur de cuivre (avec blindage ou gaine non métallique). Le câble blindé flexible sortant du boîtier de distribution (fusible ou disjoncteur) doit être raccordé directement au boîtier de connexion.
- Repérer le boîtier de connexion pour laisser le plus d'espace possible entre celui-ci et la table de cuisson pour pouvoir déplacer la table de cuisson en cas de besoin de réparation à l'avenir.
- Ne pas couper le conduit. La longueur du conduit fournie est destinée à faciliter le fonctionnement de la table de cuisson.
- Un connecteur de conduit homologué UL ou CSA doit être fourni à chaque extrémité du câble d'alimentation électrique (à la table de cuisson et au boîtier de connexion). Un connecteur de conduit homologué est déjà fourni à la table de cuisson.
- Si le domicile est équipé d'un câblage en aluminium, suivre les instructions suivantes :
 1. Connecter une section de câble en cuivre massif aux conducteurs en queue de cochon.
 2. Connecter le câblage en aluminium à la section ajoutée de câblage en cuivre en utilisant des connecteurs et/ou des outils spécialement conçus et homologués UL pour fixer le cuivre à l'aluminium.

Appliquer la procédure recommandée par le fabricant des connecteurs. La connexion aluminium/cuivre doit être conforme aux codes locaux et aux pratiques de câblage acceptées par l'industrie.

INSTRUCTIONS D'INSTALLATION

Préparation de l'emplacement

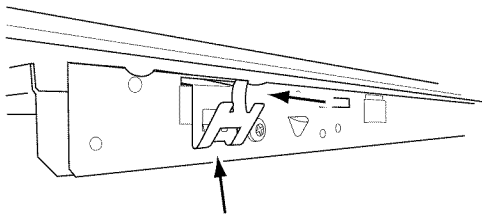
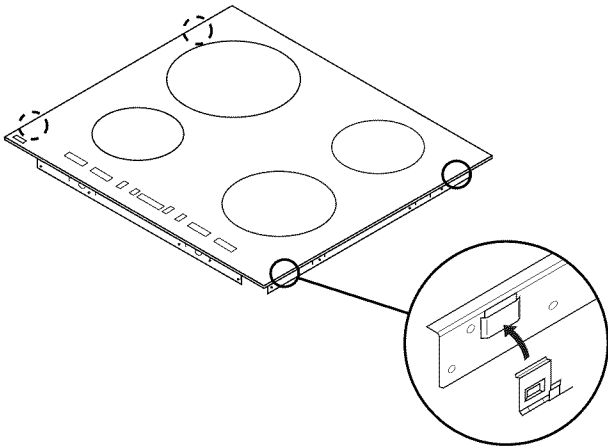
1. Déterminer l'emplacement final de la table de cuisson.

REMARQUE : L'épaisseur du plan de travail doit être comprise entre 1 $\frac{3}{16}$ " (3 cm) et 2" (5,1 cm).

2. Si nécessaire, découper l'ouverture dans le plan de travail avant d'installer la table de cuisson. Voir la section "Exigences d'installation" pour plus de renseignements.
3. Nettoyer l'ouverture pour la dégager de tout résidu ou poussière.

Installation des pinces de montage

1. À l'aide de deux personnes ou plus, placer la table de cuisson à l'envers sur une surface couverte en utilisant les cornières en polystyrène de l'emballage.
2. Insérer les brides attaches de montage (fournies) dans les 4 poches situées le long des parois du cadre métallique sous la surface en verre.



Insérer le bas de l'attache de montage dans la poche inférieure et enfoncer le dessus de l'attache sur le sommet de la poche pour l'emboîter.

Installation de la table de cuisson

⚠ AVERTISSEMENT

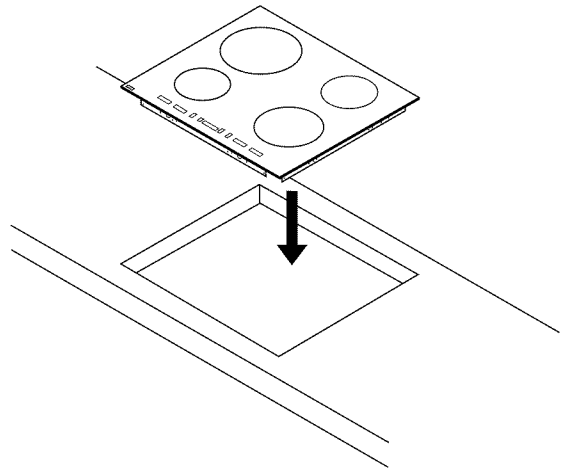
Risque du poids excessif

Utiliser deux ou plus de personnes pour déplacer et installer la table de cuisson.

Le non-respect de cette instruction peut causer une blessure au dos ou d'autre blessure.

1. À l'aide d'au moins 2 personnes, placer la table de cuisson à l'endroit et l'insérer dans l'ouverture d'encastrement.

REMARQUE : Vérifier que le bord avant de la table de cuisson est parallèle au bord avant du plan de travail. Si l'on doit repositionner la table de cuisson, la retirer complètement de l'ouverture pour éviter de rayer le plan de travail.



⚠ AVERTISSEMENT



Risque de choc électrique

Déconnecter la source de courant électrique avant l'entretien.

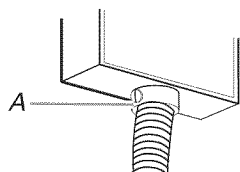
Utiliser du fil en cuivre de calibre 8.

Relier la table de cuisson à la terre.

Le non-respect de ces instructions peut causer un décès, un incendie ou un choc électrique.

Un conducteur vert (ou nu) de liaison à la terre est connecté au châssis de la table de cuisson lors de la fabrication.

1. Déconnecter la source de courant électrique.
2. Le cas échéant, enlever le couvercle du boîtier de connexion.
3. Avec le connecteur de conduit (homologation UL ou CSA), connecter le conduit de câble flexible de la table de cuisson au boîtier de connexion.

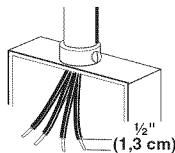


A. Connecteur de conduit (homologation UL ou CSA)

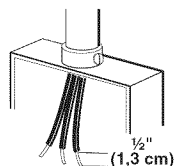
4. Serrer les vis du connecteur de conduit, le cas échéant.
5. Voir "Tableau des options de raccordement électrique" pour terminer l'installation correspondant à votre type de raccordement électrique.

Tableau des options de raccordement électrique

Câblage de la maison :	Voir la section suivante :
4 conducteurs	Câble à 4 conducteurs depuis l'alimentation électrique

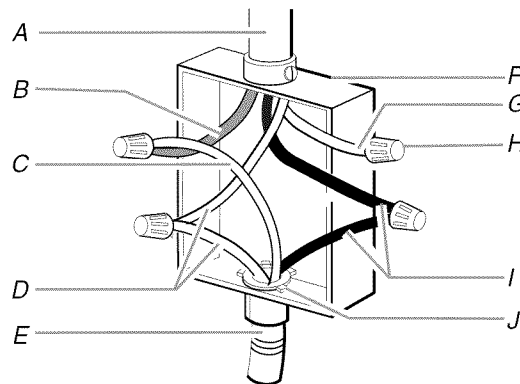


3 conducteurs	Câble à 3 conducteurs depuis l'alimentation électrique
---------------	--



Câble à 4 conducteurs depuis l'alimentation électrique jusqu'au câble à 3 conducteurs depuis la table de cuisson

IMPORTANT : Utiliser le câble à 4 conducteurs depuis l'alimentation électrique lorsque les codes locaux ne permettent pas la mise à la terre par l'intermédiaire du conducteur neutre (blanc) du boîtier de connexion.



- | | |
|--|---|
| A. Câble à 4 conducteurs depuis l'alimentation électrique | F. Boîtier de connexion |
| B. Conducteur rouge depuis l'alimentation électrique | G. Conducteur blanc depuis l'alimentation électrique |
| C. Conducteur blanc depuis le câble de la table de cuisson | H. Connecteur de fils (homologation UL) |
| D. Conducteurs verts (ou nus) de liaison à la terre depuis le câble de la table de cuisson | I. Conducteurs noirs |
| E. Câble à 3 conducteurs depuis la table de cuisson | J. Connecteur de conduit (homologation UL ou CSA) avec passe-fils |

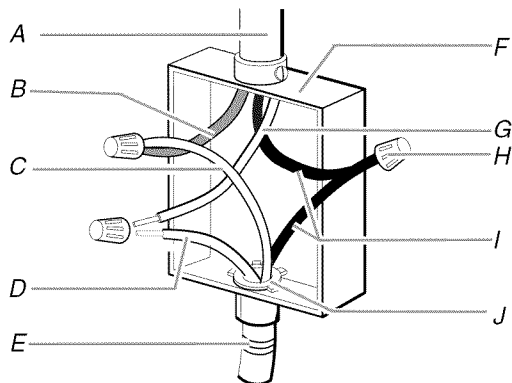
1. Connecter ensemble le conducteur rouge (B) (dans le boîtier de connexion) avec le conducteur blanc (C) depuis la table de cuisson avec un connecteur de fils (homologation UL).
2. Connecter le conducteur vert (ou nu) de liaison à la terre (D) du câble de la table de cuisson au conducteur vert (ou nu) de liaison à la terre dans le boîtier de connexion—utiliser un connecteur de fils (homologation UL).
3. Placer un connecteur de fils (homologation UL) à l'extrémité du conducteur blanc (G).

REMARQUE : Ne pas connecter le conducteur vert (ou nu) de liaison à la terre au conducteur neutre (blanc) dans le boîtier de connexion.

4. Connecter ensemble les 2 conducteurs noirs (I) avec un connecteur de fils (homologation UL).
5. Installer le couvercle du boîtier de connexion.

Câble à 3 conducteurs depuis l'alimentation électrique jusqu'au câble à 3 conducteurs depuis la table de cuisson

IMPORTANT : Utiliser le câble à 3 conducteurs depuis l'alimentation électrique lorsque les codes locaux en vigueur permettent le raccordement entre le conducteur de liaison à la terre du châssis et le conducteur neutre (blanc) dans le boîtier de connexion.



- | | |
|--|---|
| A. Câble à 3 conducteurs depuis l'alimentation électrique | F. Boîtier de connexion |
| B. Conducteur rouge depuis l'alimentation électrique | G. Conducteur blanc depuis l'alimentation électrique |
| C. Conducteur blanc depuis la table de cuisson | H. Connecteur de fils (homologation UL) |
| D. Conducteur vert (ou nu) de liaison à la terre du câble de la table de cuisson | I. Conducteurs noirs |
| E. Câble à 3 conducteurs depuis la table de cuisson | J. Connecteur de conduit (homologation UL ou CSA) avec passe-fils |

1. Connecter ensemble le conducteur rouge (B) avec le conducteur blanc (C) depuis la table de cuisson avec un connecteur de fils (homologation UL).
2. Connecter le conducteur vert (ou nu) de la table de cuisson (D) au conducteur blanc (neutre) (G) dans le boîtier de connexion avec un connecteur de fils (homologation UL).
3. Connecter ensemble les 2 conducteurs noirs (I) avec un connecteur de fils (homologation UL).
4. Installer le couvercle du boîtier de connexion.

Achever l'installation

1. Vérifier que toutes les pièces sont maintenant installées. S'il reste une pièce, passer en revue les différentes étapes pour découvrir laquelle aurait été oubliée.
2. Vérifier la présence de tous les outils.
3. Jeter/recycler tous les matériaux d'emballage.
4. Utiliser une solution d'eau tiède et de nettoyant ménager liquide doux pour nettoyer la table de cuisson avant utilisation. Sécher parfaitement avec un linge doux. Pour plus de renseignements, voir la section "Entretien de la table de cuisson" du Guide d'utilisation et d'entretien.
5. Lire "Utilisation de la table de cuisson" dans le Guide d'utilisation et d'entretien de la table de cuisson.
6. Reconnecter la source de courant électrique. Mettre l'appareil sous tension.

REMARQUE : Si la table de cuisson ne fonctionne pas une fois que l'appareil a été mis sous tension, vérifier que le disjoncteur n'est pas déclenché ou que les fusibles ne sont pas grillés. Voir la section "Dépannage" dans le Guide d'utilisation et d'entretien pour plus de renseignements.

Si vous avez besoin d'assistance ou de service :

Consulter la section "Assistance ou service" du Guide d'utilisation et d'entretien ou contacter le marchand chez qui vous avez acheté votre table de cuisson.