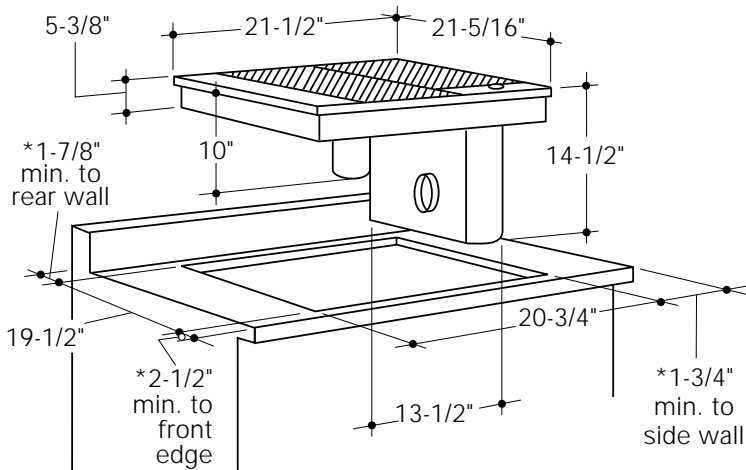




Monogram™

## ZEW166Y—Downdraft Grill Component

### Dimensions and Specifications (in inches)



\* When installed, the following minimum clearances must be maintained:  
2" from front of cooktop to front edge of countertop. 1" from back of cooktop to rear wall. 1" from side of cooktop to side wall.

#### Cutout Dimensions:

W 20-3/4"  
L 19-1/2"

**Note:** 240 volts/13.5 amps

**Important Information:** Multiple component installations require joiner strips between components. Add 1/4" to total cutout for each downdraft vent-to-component connection; add 3/4" to total cutout for each component-to-component connection. See Monogram Component Cooktop Installation Instructions, Pub. No. 49-8834 for specific installation requirements.

For answers to your Monogram®, GE Profile™, GE, Hotpoint and RCA appliance questions, call GE Answer Center® service, 800.626.2000.

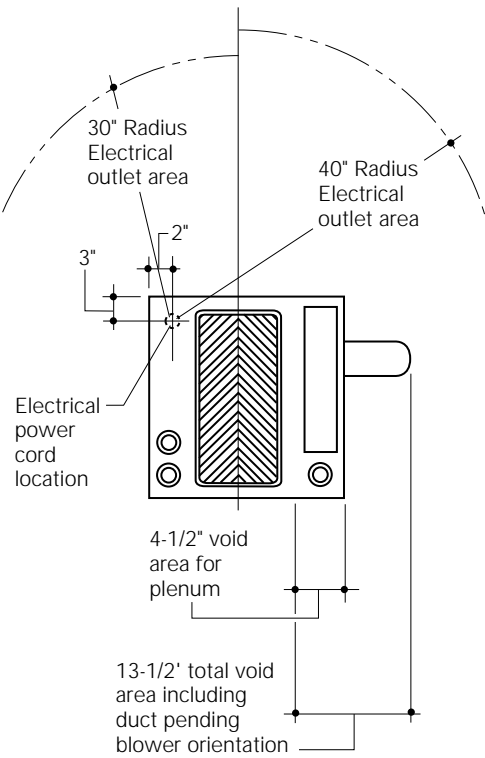




Monogram™

## ZEW166Y—Component Cooking Surfaces Electric Location Information

Dimensions and Specifications (in inches)



**Important Information:** Multiple component installations require joiner strips between components. Add 1/4" to total cutout for each downdraft vent-to-component connection; add 3/4" to total cutout for each component-to-component connection. See Monogram Component Cooktop Installation Instructions, Pub. No. 49-8834 for specific installation requirements.

For answers to your Monogram®, GE Profile™, GE, Hotpoint and RCA appliance questions, call GE Answer Center® service, 800.626.2000.





**Monogram™**

---

## **ZEW166Y—Component Cooking Surfaces Electric Location Information**

### **Features and Benefits**

- Stainless Steel Model
- 2800 Watt Heating Element
- Separate Controls for Each Half of Grill Heating Element
- Cast-Iron, Porcelainized Grill
- Downdraft Vent with Variable Speed Control
- 500 CFM Downdraft Vent Performance
- Remote Blower Capability
- Stainless Steel Component Surround
- Mix or Match Component Capability
- Installation Horizontally or Vertically
- Model ZEW166YSS—Stainless Steel