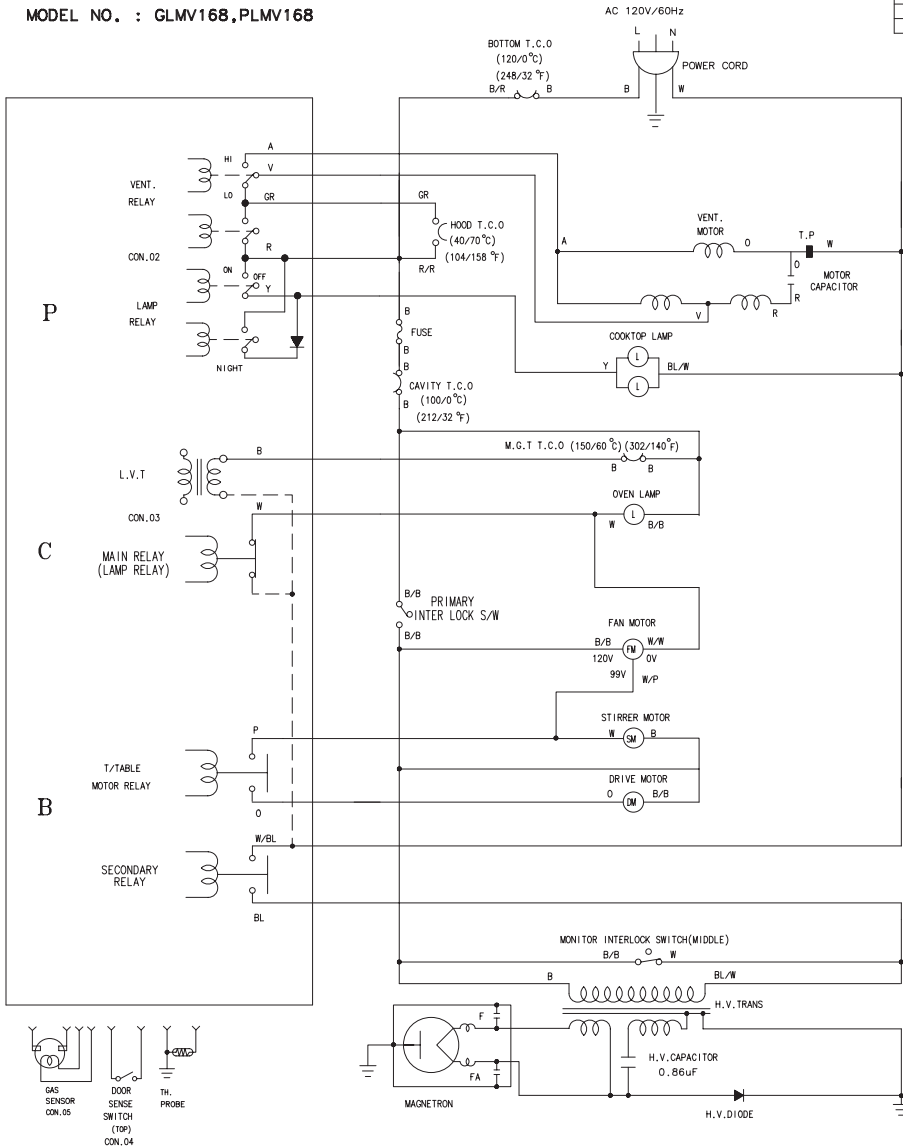


SCHEMATIC DIAGRAM

WARNING

POWER MUST BE DISCONNECTED
BEFORE SERVICING THIS APPLIANCE

OTR7
MODEL NO. : GLMV168, PLMV168

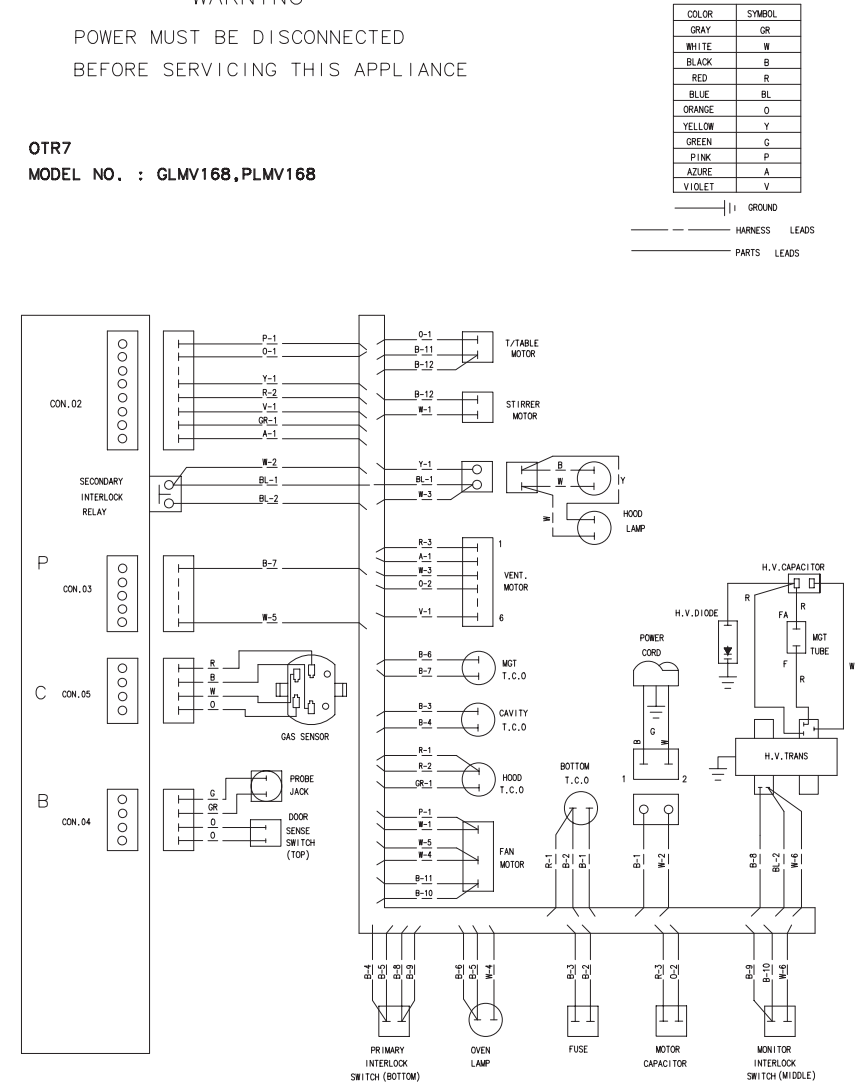


WIRING DIAGRAM

WARNING

POWER MUST BE DISCONNECTED
BEFORE SERVICING THIS APPLIANCE

OTR7
MODEL NO. : GLMV168, PLMV168



NOTE: FOR SERVICING REPLACEMENT USE 16GA, 105 °C
THERMOPLASTIC COVERED WIRE EXCEPT FOR
HIGH VOLTAGE LEADS OR AS NOTED ON SPECIAL LEADS.