

# 36 " GAS RANGE INSTALLATION INSTRUCTIONS



INSTALLATION AND SERVICE MUST BE PERFORMED BY  
A QUALIFIED INSTALLER.

**IMPORTANT: SAVE FOR LOCAL ELECTRICAL INSPECTOR'S USE.  
READ AND SAVE THESE INSTRUCTIONS FOR FUTURE REFERENCE.**

**⚠ WARNING** If the information in this manual is not followed exactly, a fire or explosion may result causing property damage, personal injury or death.

## FOR YOUR SAFETY:

- Do not store or use gasoline or other flammable vapors and liquids in the vicinity of this or any other appliance.
- **WHAT TO DO IF YOU SMELL GAS:**
  - Do not try to light any appliance.
  - Do not touch any electrical switch; do not use any phone in your building.
  - Immediately call your gas supplier from a neighbor's phone. Follow the gas supplier's instructions.
  - If you cannot reach your gas supplier, call the fire department.
- Installation and service must be performed by a qualified installer, service agency or the gas supplier.

## Dimensions and Clearance

Provide adequate clearance between range and adjacent combustible surfaces.

TYPICAL CONTROL PANEL	X. HEIGHT
HI Profile Control Panel	45 5/8" min.
LO Profile Control Panel	40 7/8" Min.

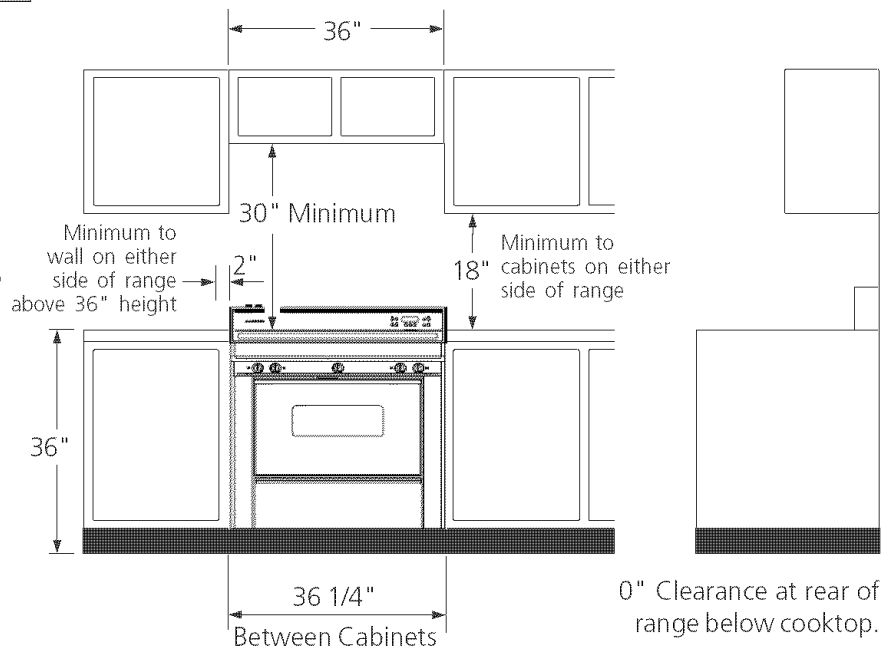
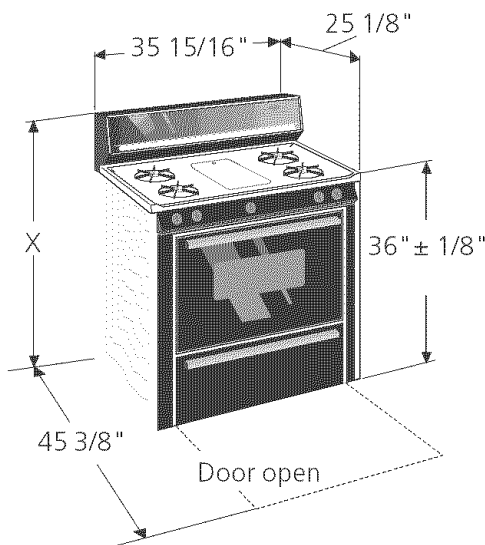


Figure 1

**NOTE: Wiring diagrams for these appliances are enclosed in this booklet.**

Printed in United States

P/N 318201750 (0410) Rev. C

English – pages 1-9

Español – páginas 10-19

Wiring Diagrams - pages 20-24

# 36" GAS RANGE INSTALLATION INSTRUCTIONS

## Important Notes to the Installer

1. Read all instructions contained in these installation instructions before installing the range.
2. Remove all packing material before connecting the electrical supply to the appliance.
3. Observe all governing codes and ordinances.
4. Be sure to leave these instructions with the consumer.

## Important Note to the Consumer

Keep these instructions with your Use and Care Guide for future reference.

# IMPORTANT SAFETY INSTRUCTIONS

Installation of this range must conform with local codes, or in the absence of local codes, with the National Fuel Gas Code ANSI Z223.1—latest edition.

This range has been design certified by American Gas Association (A.G.A.). As with any appliance using gas and generating heat, there are certain safety precautions you should follow. You will find them in the Use and Care Guide, read it carefully.

- **Be sure your range is installed and grounded properly by a qualified installer or service technician.**
- **This range must be electrically grounded in accordance with local codes, or in their absence, with the National Electrical Code ANSI/NFPA No. 70—latest edition.**
- The installation of appliances designed for manufactures (mobile) home installation must conform with Manufactured Home Construction and Safety Standard, title 24CFR, part 3280 [Formerly the Federal Standard for Mobile Home Construction and Safety, title 24, HUD (part 280)] or when such standard is not applicable, the Standard for Manufactured Home Installation 1982 (Manufactured Home Sites, Communities and Set ups), ANSI Z225.1 latest edition, or local codes.


- **Before installing the range in area covered with linoleum or any other synthetic floor covering, make sure the floor covering can withstand heat at least 90°F above room temperature without shrinking, warping or discoloring. Do not install the range over carpeting unless you place an insulating pad or sheet of ¼" thick plywood between the range and carpeting.**
- **Make sure the wall coverings around the range can withstand the heat generated by the range.**
- Do not obstruct the flow of combustion air at the oven vent nor around the base or beneath the lower front panel of the range. Avoid touching the vent openings or nearby surfaces as they may become hot. This range requires fresh air for proper burner combustion.
- **Do not store items of interest to children in the cabinets above the range.** Children could be seriously burned climbing on the range to reach items.
- **To eliminate the need to reach over the surface burners, cabinet storage space above the burners should be avoided.**
- **Adjust surface burner flame size so it does not extend beyond the edge of the cooking utensil.** Excessive flame is hazardous.
- **Do not use the oven as a storage space.** This creates a potentially hazardous situation.
- **Never use your range for warming or heating the room.** Prolonged use of the range without adequate ventilation can be hazardous.
- **Do not store or use gasoline or other flammable vapors and liquids near this or any other appliance.** Explosions or fires could result.
- Remove broiler pan and other utensils and wipe up excess spillage before self-cleaning the oven (if equipped).

**⚠ CAUTION** Do not make any attempt to operate the electric ignition oven during an electrical power failure. Resumption of electric power when OVEN TEMP and OVEN SET controls are in any position other than OFF will result in automatic ignition of the oven or broiler burner.

**In case of a power outage, you can light the surface burners on your range with a match.** Hold a lighted match to the burner, then slowly turn the knob to the LITE position. **Use extreme caution when lighting burners this way.**

Surface burner in use when electrical power failure occurs will continue to operate normally.

**The oven burner and broil burner on your range are lighted by electrical ignition. The oven and broiler cannot be operated in the event of a power failure.**

	<p><b>⚠ WARNING</b></p> <ul style="list-style-type: none"><li>• All ranges can tip.</li><li>• Injury to persons could result.</li><li>• Install anti-tip device packed with range.</li></ul>	<p><b>⚠ WARNING</b></p> <p>To reduce the risk of tipping of the range, the range must be secured by properly installed anti-tip bracket (s) provided with the range. To check if the bracket(s) is installed properly, grasp the top rear edge of the range and carefully tilt it forward to make sure the range is anchored.</p>
---	--	---

# 36 " GAS RANGE INSTALLATION INSTRUCTIONS

## 1. Before Installing the Range

### Remove shipping material

Remove all tape, shipping and packaging materials and the oven rack packaging. Lift up cooktop and remove the two shipping screws from the cooktop burners (see figure 2).

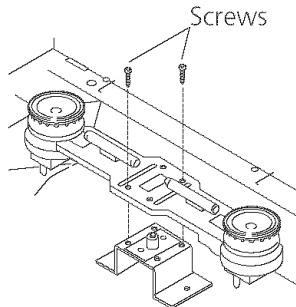


Figure 2

## 2. Provide an Adequate Gas Supply

This range is designed to operate on natural gas at 4" of manifold pressure or on LP gas at 10" of manifold pressure. It is shipped from the factory set for natural gas. If it is to be used with LP gas, adjustments must be made.

A convertible pressure regulator is connected in series with the manifold of the range and must remain in series with the supply line regardless of whether natural or LP gas is being used.

**For proper operation**, the maximum inlet pressure to the regulator must be no more than 14" of water column (W.C.) pressure.

For checking the regulator, the inlet pressure must be at least 1" water column pressure greater than the regulator manifold outlet setting. If the regulator is set for 4" of manifold pressure, the inlet pressure must be at least 5". If the regulator is set for 10", the inlet pressure must be at least 11".

The gas supply line into the range should be 1/2" or 3/4" I.D. flexible metal appliance connector five feet in length.

## 3. Seal the Openings

Seal any openings in the wall behind the range and in the floor under the range when hookups are completed.

## 4. Connect the Range to Gas

Refer to figure 4 to 7 for recommended connections.

A. **Install a manual shut-off valve** in the gas line in an easily accessible location outside of the range. Be sure you know how and where to shut-off the gas supply to the range.

B. Install 1/2" flare union adaptor supplied with the connector, to the 1/2" NPT internal thread on pressure regulator.

### Gas Connection for Electric Ignition Models

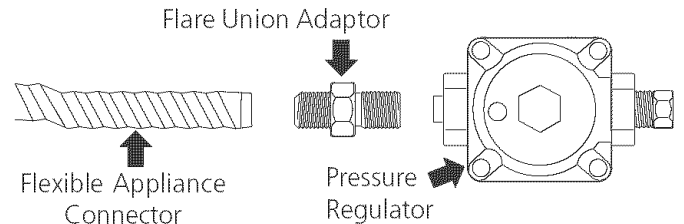
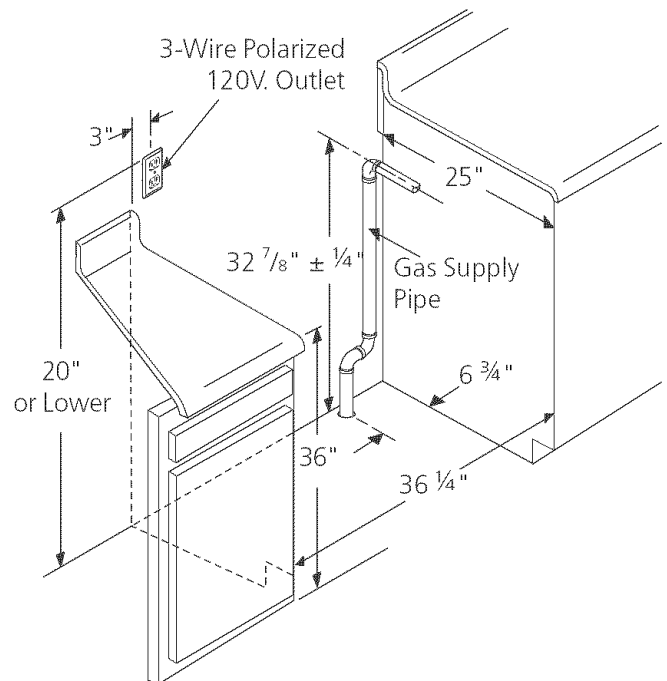


Figure 3

C. Because solid pipe restricts moving the range we recommended use of A.G.A. design certified flexible metal appliance connector. Connect flexible appliance to flare union.

D. Move range into approximate position and connect flexible appliance connector to gas supply line with proper flare union adaptor. The adaptor supplied with the flexible connector must be used.

E. **Check for leaks.** Turn the gas supply on the range and use a liquid leak detector at all joints and connections to check for leaks in the system.



Recommended locations for installing the electrical outlet and pipe opening may be adjusted to meet specific requirements.

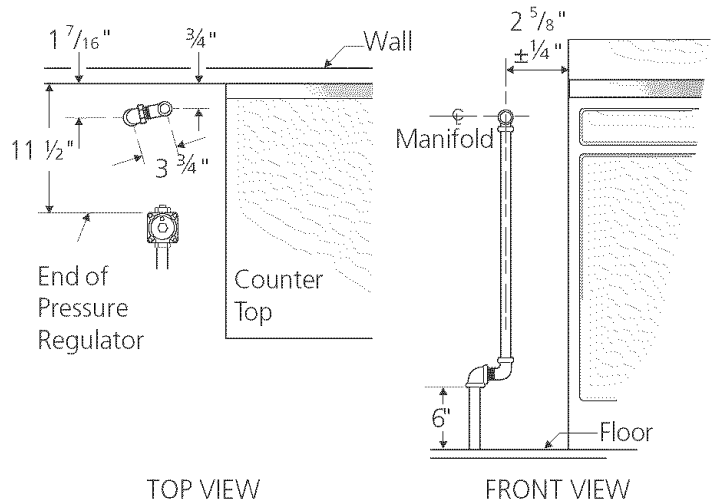
Figure 4

# 36" GAS RANGE INSTALLATION INSTRUCTIONS

**⚠ WARNING** Do not use a flame to check for leaks from gas connections. Checking for leaks with a flame may result in a fire or explosion.

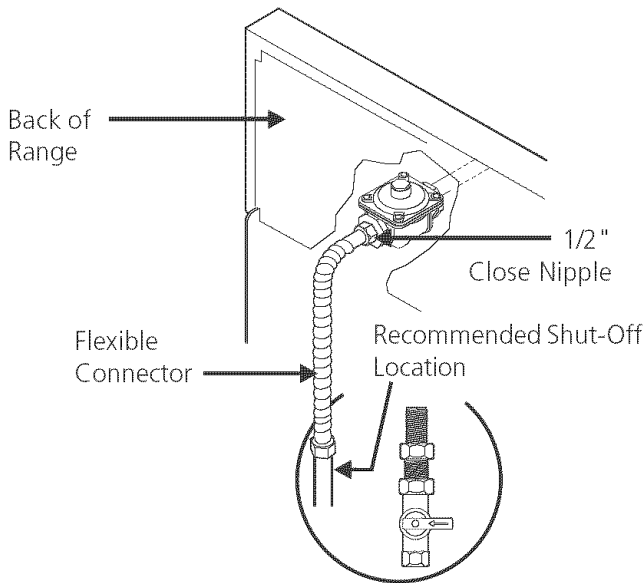
**Disconnect this range and its individual shutoff valve** from the gas supply piping system during any pressure testing of that system at test pressures greater than 14" of water column pressure (approx. 1/2" psig).

**Isolate the range from the gas supply piping system** by closing its individual manual shutoff valve during any pressure testing of the gas supply piping system at test pressures equal to or less than 14" of water column (approx. 1/2" psig).

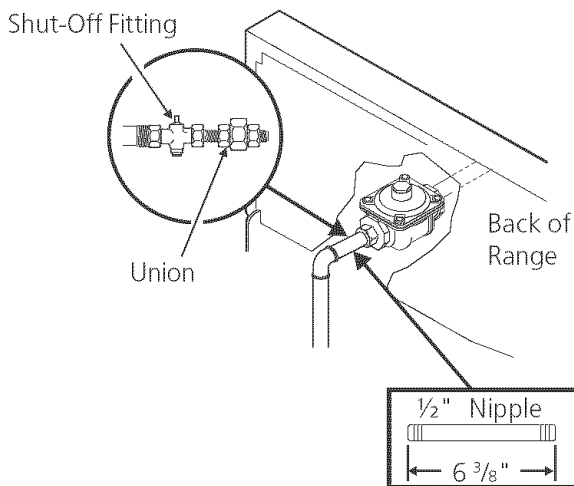


TOP VIEW FRONT VIEW

Solid Pipe Hookup Detail  
**Figure 7**

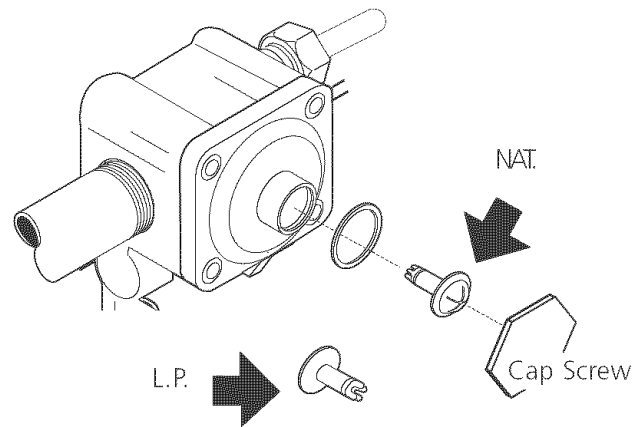


Flexible Connector Hookup  
**Figure 5**



Solid Pipe Hookup  
**Figure 6**

## 5. LP/Propane Gas Conversion A. Pressure Regulator Conversion



**Figure 8**

### Do Not Remove the Pressure Regulator

Remove cap-screw and snap out the nylon gas indicator by pushing it sideways. Turn the nylon gas indicator for type gas (Natural or LP) and snap it back in the cap-screw. Put cap-screw back on gas regulator.

# 36 " GAS RANGE INSTALLATION INSTRUCTIONS

## B. Surface Burner Valves Conversion

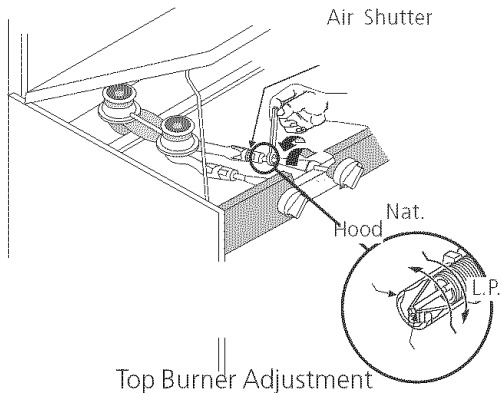


Figure 9

1. Lift cooktop to gain access to the surface burner spuds.
2. With  $\frac{1}{2}$ " wrench, turn spud down or clockwise until snug (approximately 2  $\frac{1}{2}$  turns). This restricts the flow of gas through spud to that allowed only by the hollow LP metering pin. **Do not overtighten.**

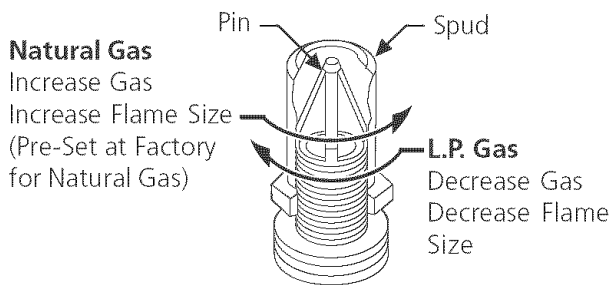


Figure 10

3. Lower main top and apply gas to check for proper flame size. Flame should be steady with approximately  $\frac{1}{2}$ " blue inner cones and no yellow or orange tips.

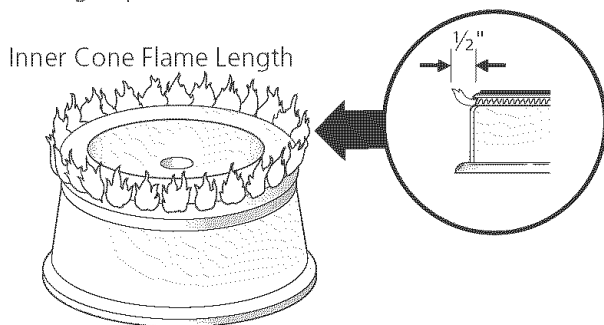


Figure 11

### Proper Air Adjustment

If air shutter is adjusted so that too much air flows into the burner, the flame will appear unsteady, possibly not burning all the way around and will be noisy (like a blow torch).

## C. Readjust the "LOW" Setting Surface Burner Valve

1. Turn control to LITE until burner ignites.
2. Quickly turn knob down to LOWEST SETTING.
3. If burner goes out, readjust valve as described in "Adjust the LOW Setting Surface Burner Valve" from Page 7.

## D. Air Adjustment Shutter

Apply gas to the burner and adjust air shutter on burner venturi tube to proper flame. For LP gas, the air shutter is generally left completely open.

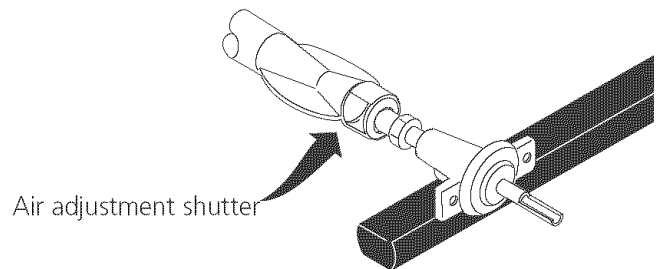
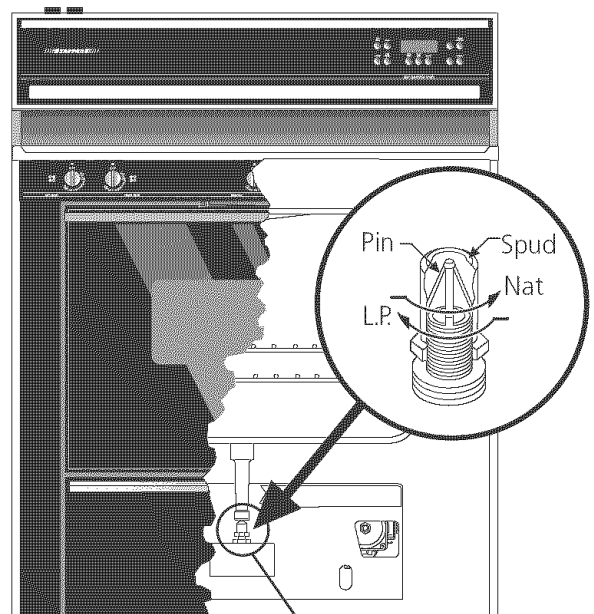


Figure 12

The air adjustment for each burner is located at the open end of the venturi tube and sits on the hood of the valve. The shutter is held in place by friction fit.

If air shutter needs adjusting, rotate the shutter to allow more or less air into the burner tubes as needed.



Oven Burner Spud

Figure 13

# 36" GAS RANGE INSTALLATION INSTRUCTIONS

## E. Convert Oven Burner Orifice

1. Remove storage drawer if equipped or lower panel to gain access to oven burner spuds.
2. Remove oven bottom and oven burner baffle located on top of burner. To remove oven bottom, pull up at rear, disengaged front of bottom from oven front frame, and pull the oven bottom straight out of the oven. Remove burner baffle so that the burner flame can be observed.
3. Using ½" wrench, turn down the adjustable spud which injects gas into the oven burner, until snug against the LP metering pin. This will be approximately 2 ½ turns. **Do Not Overtighten.**
4. Push the BAKE TEMP button, then SET the temperature to 300°F. Wait until burner starts to cycle. To determine if the oven burner flame is proper, observe the flame. It should be steady with approximately 1" blue cones and no yellow or orange flame tips.

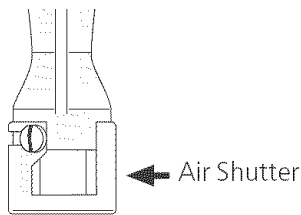


Figure 14

5. If adjustment to the air shutter is necessary, locate oven burner air shutter, loosen shutter set screw and adjust to obtain optimum flame (figure 14). This will normally be completely open for LP gas. Tighten shutter set screw.

## F. Convert Waist High Broiler Burner Orifice Flame (Self-Clean Models Only)

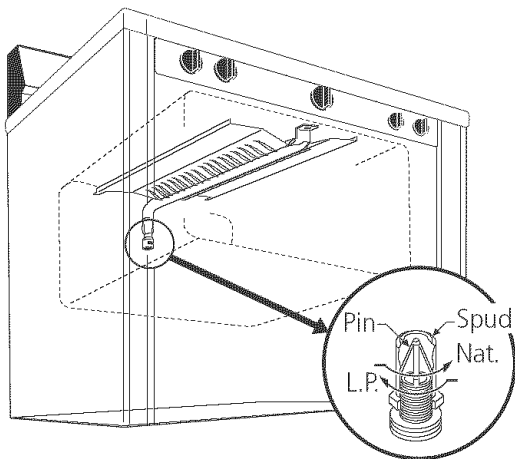


Figure 15

1. Open oven door.
2. Locate broiler burner spud and turn down approximately 2 ½ turns so that spud is snug against LP metering pin. **Do Not Overtighten.**
3. To determine if burner flame is proper, push the BROIL button, then turn the SET knob to the LO setting, and observe broiler flame. It should be steady and sharp with approximately 1" blue cones and no yellow or orange flame tips.
4. If adjustment to the air shutter is necessary, locate oven burner air shutter, loosen shutter set screw and adjust to obtain optimum flame (figure 14). This will normally be completely open for LP gas. Tighten shutter set screw.

## 6. Connect Electricity to Gas Range Electrical Requirements

120 volt, 60 Hertz, individual, properly grounded and polarized branch circuit protected by a 15 amp. circuit breaker or time delay fuse.

### Extension Cord Cautions:

Because of potential safety hazards under certain conditions we strongly recommend against the use of any extension cord. However, if you still select to use an extension cord, it is absolutely necessary that it be a UL listed 3-Wire grounding type appliance extension cord and that the current carrying rating of the cord in amperes be equivalent to or greater than the branch circuit rating. Such extension cords are obtainable through your local service organization.

## Grounding Instructions

**IMPORTANT** Please read carefully.

**For personal safety, this appliance must be properly grounded.**

The power cord of this appliance is equipped with a 3-prong (grounding) plug which mates with a standard 3-prong grounding wall receptacle (see Figure 8) to minimize the possibility of electric shock hazard from the appliance.

The wall receptacle and circuit should be checked by a qualified electrician to make sure the receptacle is properly grounded.

# 36 " GAS RANGE INSTALLATION INSTRUCTIONS

## Preferred Method

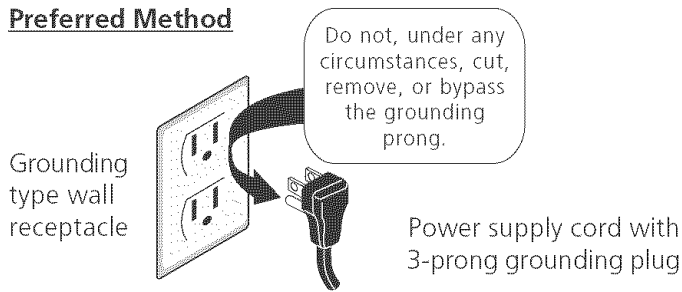


Figure 16

Where a standard 2-prong wall receptacle is installed, it is the personal responsibility and obligation of the consumer to have it replaced by a properly grounded 3-prong wall receptacle.

**Do not, under any circumstances, cut or remove the third (ground) prong from the power cord.**

**CAUTION** Disconnect electrical supply cord from wall receptacle before servicing range.

## 7. Check Operation

Refer to the [Use and Care Guide](#) packaged with the range for operating instructions and for care and cleaning of your range.

Do not touch the burners. They may be hot enough to cause burns.

### 1. Check the igniters

Operation of electric igniters should be checked after range and supply line connectors have been carefully checked for leaks and range has been connected to electric power.

**Note:** If range is to be operated on L.P. gas, conversion of regulator and adjustment of burner spuds is necessary before ignition check; refer to ???.

### A) Surface Burner Igniters

To check for proper lighting, push in and turn a surface burner knob to the LITE position. The surface burner should light when gas is available to top burner. Each burner should light within 4 seconds in normal operation after air has been purged from supply lines. Once the burner lights, knob should be rotated out of the LITE position. Try each valve separately until all burners have been checked out.

## B) Oven Igniter System

Self-Clean Models:

Remove all materials and literature from oven and:

1. Push the BAKE TEMP button and set the oven temperature to 300°F. Within 60 seconds the bake (lower) burner will ignite. Check for proper flame; push the CANCEL button.
2. Push the broil button and set the oven temperature to 300°F. Within 60 seconds the broil (upper) burner will ignite. Check for proper flame. Allow burners to cycle at least one time; push the CANCEL button.

Non Self-Clean Models:

Remove all materials and literature from oven and:

1. Turn oven temperature knob to BAKE (300°F). Within 60 seconds the lower burner should ignite. Check for proper flame. Turn knob to off.
2. Turn oven temperature knob to BROIL. Within 60 seconds the lower burner should ignite. Check for proper flame. Turn knob to off.

## 2. Adjust the "LO" or "SIMMER" Setting of Surface Burner Valves (see Figure 17)

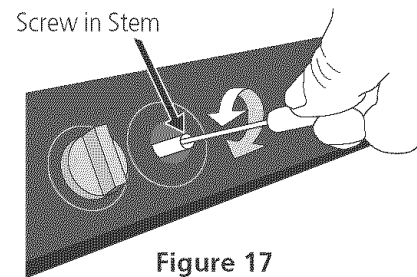


Figure 17

- A. Turn control to LITE until burner ignites.
- B. Quickly turn knob down to LOWEST POSITION.
- C. If burner goes out, readjust valve as follows:  
Remove the surface burner control knob, insert a thin-bladed screw driver into the hollow valve stem and engage the slotted screw inside. Flame size can be increased or decreased with the turn of the screw. Adjust flame until you can quickly turn knob from LITE to LOWEST POSITION without extinguishing the flame. Flame should be as small as possible without going out.

## 8. Make Sure Range Is Level

Level the range by placing a level horizontally on an oven rack. Check diagonally from front to back, then level the range by either adjusting the leveling legs or by placing shims under the corners of the range as needed.

# 36" GAS RANGE INSTALLATION INSTRUCTIONS

9. When installation is complete, connect the power cord and set the time of day on the electronic oven control as explained in the Owner's Guide.

10. Verify the operation of the electronic control functions as per instructions given in the Owner's Guide.

11. Make sure the air flow from the oven vent and the air flow to the bottom front of range is unobstructed.

## When All Hookups are Complete

Make sure all controls are left in the OFF position.

**NOTE:** Refer to Owner's Guide for complete instructions for ordering parts or making inquiries about this range.

**NOTE:** Refer to Owner's Guide for operating instructions and cleaning instructions.

**Important:** See next page for Anti-tip Bracket Installation Instructions.

## Model and Serial Number Location

The model and serial plate is located in the left hand side, underneath the surface cooktop.

When ordering parts for or making inquiries about your range, always be sure to include the model and serial numbers and a lot number or letter from the serial plate of your range.

Your serial plate also tells you the rating of the burners and type of fuel and the pressure the range was adjusted for when it left the factory.

## Before You Call for Service

Read the Avoid Service Checklist and operating instructions in your Use and Care Guide.

Check to make sure the house fuse or circuit breaker for your cooktop are not blown or open.



# 36 " GAS RANGE INSTALLATION INSTRUCTIONS

## 12. Important Safety Warning

This range must be properly secured to the floor by using the included anti-tip brackets and screws. Failure to install the brackets could allow the range to accidentally tip over if excessive weight is placed on an open door or if a child climbs upon it. Serious injury might result from spilled hot liquids or from the range itself. Refer to the instructions below for proper installation. Figure A.

**NOTE:** If the range is ever moved to a different location, the anti-tip brackets must also be moved and installed with the range.

## Anti-tip Bracket Installation Instructions

The anti-tip kit is located in a plastic bag in the oven.

### Tools Required:

5/16" Nutdriver or Flat Head Screwdriver  
Adjustable Wrench  
3/16" Dia. Masonry Drill Bit (if installing in concrete)

Attach brackets to the floor at the back of the range to hold both rear leg levelers. When fastening to the floor, be sure that screws do not penetrate electrical wiring or plumbing. The screws provided will work in either wood or concrete.

Range may be anchored to floor in a dwelling house with hold down brackets as illustrated in Figure "A". These hold down brackets allow range to be freely pulled out from the wall for cleaning or servicing without the use of tools.

1. Attach brackets to the floor or rear wall with screws provided. **Important:** Attachment must be secured to solid floor or wall. Do not attach to plaster, sheet rock, or other soft material. If attachment is to rear wall, any moldings must be removed in area behind range.
2. If brackets are to be attached to masonry or ceramic floors, position brackets on floor and mark hole location. Drill 3/16" holes.
3. Lower both rear leg levelers about three turns so the brackets will slide over leveler head.
4. Level the range front to back and side to side with the two front leg levelers and the rear levelers.

5. Slide range into place making sure rear legs are trapped by ends of brackets. Range may need to be shifted slightly to one side as it is being pushed back to allow rear legs to align with brackets. Remove lower panel or storage drawer to inspect brackets or grasp the top rear edge of the range and carefully attempt to tilt it forward to make sure range is properly anchored.

For mobile homes, the range must be anchored to the floor as illustrated in Figure "B".

1. Remove false panel or storage drawer to gain access to the anchoring holes.
2. A 1/4" diameter hole is provided in the center of each base rail for anchoring to floor.

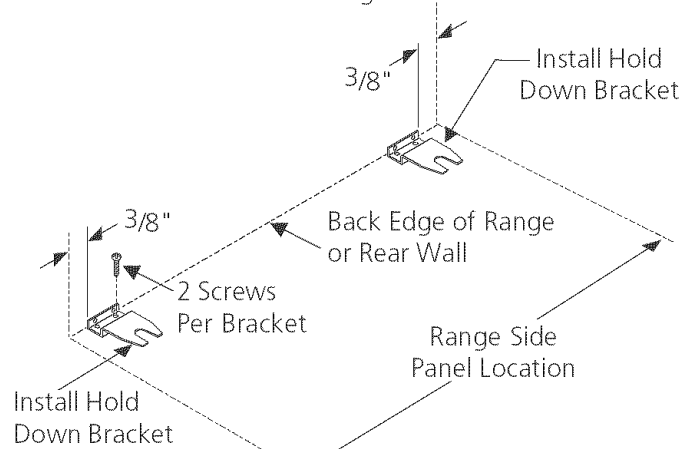


Figure A

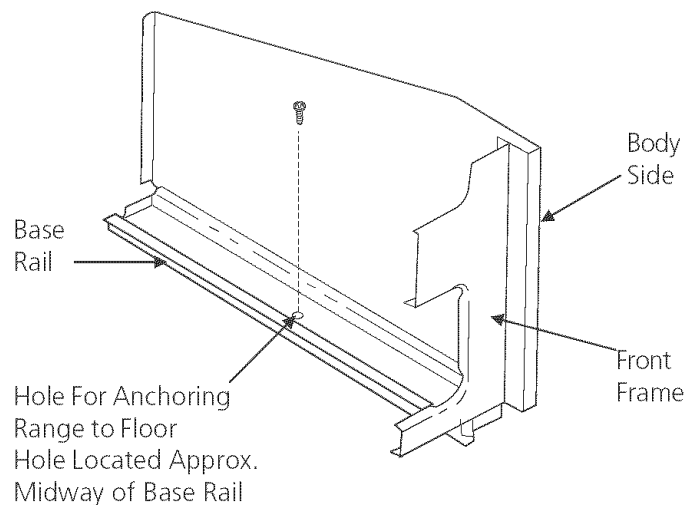


Figure B

**⚠ WARNING** Stepping, leaning or sitting on the door or drawer of this range can result in serious injuries and also cause damage to the range.

# INSTRUCCIONES DE INSTALACION PARA LA ESTUFA A GAS DE 36"



LA INSTALACION Y EL SERVICIO DEBEN SER EFECTUADOS POR UN INSTALADOR CALIFICADO.

IMPORTANTE: GUARDE ESTAS INSTRUCCIONES PARA USO DEL INSPECTOR LOCAL DE ELECTRICIDAD.

LEA Y GUARDE ESTAS INSTRUCCIONES PARA REFERENCIA FUTURA.

**ADVERTENCIA** Si todas las instrucciones de éste manual no son observadas a la letra, se puede ocurrir incendios o explosiones que pueden causar daños materiales, lesiones o la muerte.

- No almacene o utilice gasolina u otros vapores y líquidos inflamables cerca de este o cualquier otro artefacto.
- **QUE HACER SI HAY FUGAS DE GAS**
  - No intente de encender ningún artefacto
  - No toque ningún interruptor eléctrico; no utilice ningún aparato telefónico en su edificio.
  - Llame inmediatamente el abastecedor de gas desde el telefónico de un vecino. Siga las instrucciones del abastecedor de gas.
  - En caso que no puede contactar el abastecedor de gas, llame al departamento de bomberos.
- La instalación y el servicio técnico deben ser realizados por un instalador calificado, por un servicio técnico certificado o por el abastecedor de gas.

## Dimensiones y espacios libres

Provee adecuados espacios libres entre la estufa y las superficies combustibles adyacentes

PANEL DE CONTROL TÍPICO	X. ALTURA
Panel de control bajo	45 5/8" Min.
Panel de control alto	40 7/8" Min.

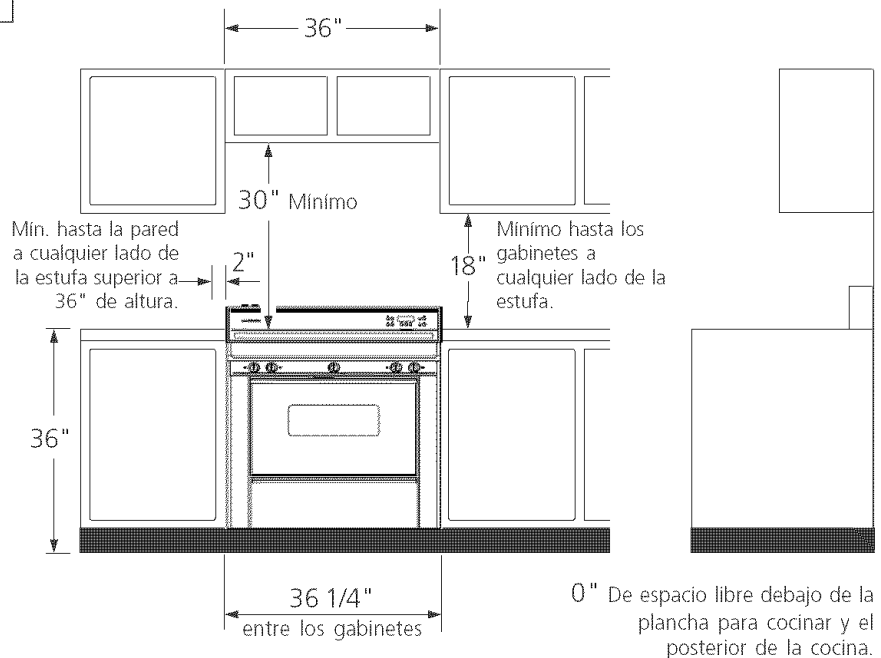
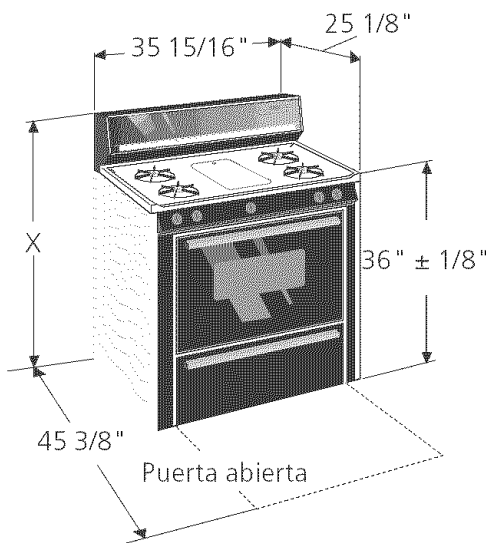


Figura 1

**NOTA:** Se adjunta los diagramas de cables de estas estufas con el libreta.

# INSTRUCCIONES DE INSTALACION PARA LA ESTUFA A GAS DE 36"

## Notas importantes para el instalador

1. Lea todas las instrucciones contenidas en este manual antes de instalar la estufa.
2. Saque todo el material usado en el embalaje del compartimiento del horno antes de conectar el suministro eléctrico a la estufa.
3. Observe todos los códigos y reglamentos pertinentes.
4. Deje estas instrucciones con el comprador.

## Nota Importante para el Consumidor

Conserve estas instrucciones y el Manual del Usuario para referencia futura.

## IMPORTANTES INSTRUCCIONES DE SEGURIDAD



La instalación de esta estufa debe realizarse en conformidad con los códigos locales o, si éstos no existen, con el National Fuel Gas Code ANSI Z223.1 - última edición.

El diseño de esta estufa cuenta con la aprobación de la American Gas Association. Al igual que todos los artefactos a gas que generan calor, deben seguirse ciertas medidas de seguridad. Vienen con el Manual de utilización y mantenimiento. Lea el manual atentamente.

- **Asegúrese que la estufa sea instalada correctamente por un instalador o técnico calificado.**
- **La estufa debe conectarse eléctricamente a tierra de acuerdo con los códigos locales o, de no existir, con el código eléctrico ANSI/NFPA No. 70 - última edición.**
- La instalación de unidades diseñadas para casas (movibles) deben cumplir con los estándares de "Manufactured Home Construction and Safety Standard, title 24 CFR part 3280". (Anteriormente

"The Federal Standard for Mobile Home Construction and Safety title 24, HUD (Part 280)". O cuando estos estándares no sean aplicables: "The Standard for Manufactured Home Installation 1982, (Manufactured Home Sites, Communities and set-ups), ANSI Z225.1, última edición o códigos y regulaciones locales.

- **Antes de instalar la estufa en una área recubierta con linóleo o cualquiera otra cubierta de suelo sintético, asegúrese que la cubierta puede resistir a una temperatura de al menos 90° F de calor superior a la temperatura de la pieza, sin contraerse, deformarse o descolorirse. No coloque la estufa sobre una carpintería a menos que instale un soporte aislante o una plancha contrachapada de ¼" de espesor entre la estufa y la carpintería.**
- **Asegúrese que el tapiz de la pared alrededor de la estufa puede resistir al calor generado por la estufa.**
- No obstruya la circulación de aire de combustión en las ventilaciones del horno, ni alrededor de la base, ni debajo del tablero frontal de la estufa. Evite tocar las aberturas de ventilación y las superficies cercanas pues éstas pueden calentarse. Esta estufa requiere aire fresco para que el quemador haga la combustión adecuadamente.
- **No almacene artículos que interesan los niños en los armarios que están por encima de la estufa.** Les podría causar quemaduras graves si intentan subirse para alcanzarlos.
- **Para eliminar toda posibilidad de alargar el brazo por encima de los superficies de los quemadores, es necesario eliminar todos los armarios por encima de los quemadores.**
- **Grade el tamaño de la llama de modo que no sobrepase el borde del utensilio sobre la plancha de cocinar.** Una llama excesiva puede ser peligrosa.
- **No use el horno como espacio de almacenamiento.** Esa situación puede ser peligrosa.
- **No utilice jamás su estufa como calefactor.** El uso prolongado de la estufa sin la ventilación adecuada puede ser peligroso.
- **No guarde o haga uso de gasolina o otros vapores y líquidos inflamables acerca de esté o cualquier aparato.** Se puede resultar en incendios o explosiones.
- **Remueva la bandeja de la parrilla y otros utensilios, y todo derramamiento antes de usar el ciclo de limpieza a si misma.**

	<b>⚠ ADVERTENCIA</b> <ul style="list-style-type: none"><li>• Todas las estufas pueden volcarse.</li><li>• Esto podría resultar en lesiones personales.</li><li>• Instale el dispositivos antivuelco que se ha empacado junto con esta estufa.</li></ul>	<b>⚠ ADVERTENCIA</b> Reducir el riesgo de que se vuelque la estufa, hay que asegurarla adecuadamente colocandole los soportes antivuelco que se proporcionan. Para comprobar si estos estan instalados y apretados en su lugar como se debe, ase el borde trasero superior de la estufa y cuidadosamente inclínela hacia adelante para asegurar que la estufa se ancle.
		

**⚠ ADVERTENCIA** No trate de usar el horno de encendido eléctrico durante un corte de energía. El reestablecimiento del servicio eléctrico cuando los controles de TEMP DEL HORNO y de REGULACIÓN DEL HORNO están en cualquier posición diferente a APAGADO causaría el encendido automático del quemador del horno o del quemador de la parrilla.

# INSTRUCCIONES DE INSTALACION PARA LA ESTUFA A GAS DE 36"

**Durante un corte de energía eléctrica se pueden encender los quemadores de la cubierta con una cerilla.** Acerque una cerilla encendida al quemador y luego gire lentamente el botón a la posición ENCENDIDO (LITE). **Tenga extremo cuidado al encender los quemadores en esta forma.**

Los quemadores de superficie que estén encendidos cuando ocurra el corte de energía eléctrica seguirán funcionando normalmente.

**El quemador del horno y el quemador de la parrilla de su estufa están encendidos con encendido eléctrico. El horno y la parrilla no pueden funcionar durante un corte de energía.**

## 1. Antes de instalar la estufa a gas

### Remueva todos los artículos de embalaje

Retire toda la cinta, todos los artículos de embalaje y de expedición, y el embalaje de la rejilla del horno. Levante la plancha para cocinar y remueva los dos tornillos de expedición de los quemadores de la plancha para cocinar.

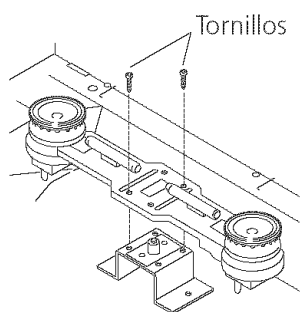


Figura 2

## 2. Provea un adecuado suministro de gas

Esta estufa ha sido diseñada para utilizar gas natural de 4" de presión múltiple, o para utilizar gas PL de 10" de presión múltiple. De fábrica viene para usarse con gas natural. Para que se pueda usar con gas PL.

Un regulador de conversión de presión está conectado con el múltiple de la estufa, y debe permanecer en serie con la línea de suministro de gas, no importa si está usando gas natural o gas PL.

**Para que manejo correcto,** la presión de entrada máxima hacia el regulador no debe exceder 14" de presión de la columna de agua.

Para controlar el regulador, la presión de entrada debe ser de al menos 1" mayor que el ajuste de la presión del múltiple del regulador. Si el regulador se ajusta a 4" de la presión del múltiple, la presión de entrada debe ser de al menos 5". Si el regulador se ajusta a 10" de la presión del múltiple, la presión de entrada debe ser de al menos 11".

La línea de suministro de gas por el horno deberá tener un tubo de 1/2" o I.D. de 3/4" conector de metal flexible de una longitud de cinco pies.

## 3. Selle las aberturas

Selle todas las aberturas en la pared detrás de la estufa y en el suelo debajo de la estufa cuando los montajes están terminados.

## 4. Conexión de la estufa al suministro de gas

Refiérase a las figuras 4 a 7 para las conexiones recomendadas.

- A. **Instale una válvula de cierre manual** en la línea de suministro de gas en un sitio de fácil acceso en la parte exterior de la estufa. Asegúrese de saber dónde y cómo cerrar el suministro de gas de la estufa.
- B. Instale el ensanchamiento de unión o adaptador provisto con el conector, al filete interno NPT de 1/2" al regulador de presión.

### Conexión del gas en los modelos con encendido eléctrico

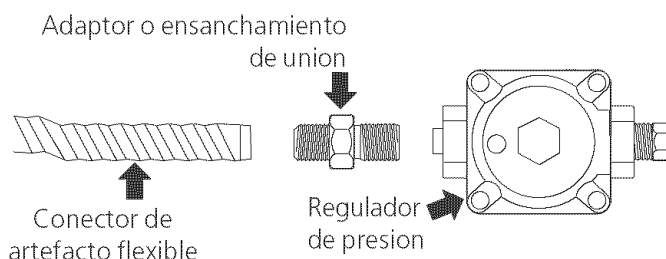
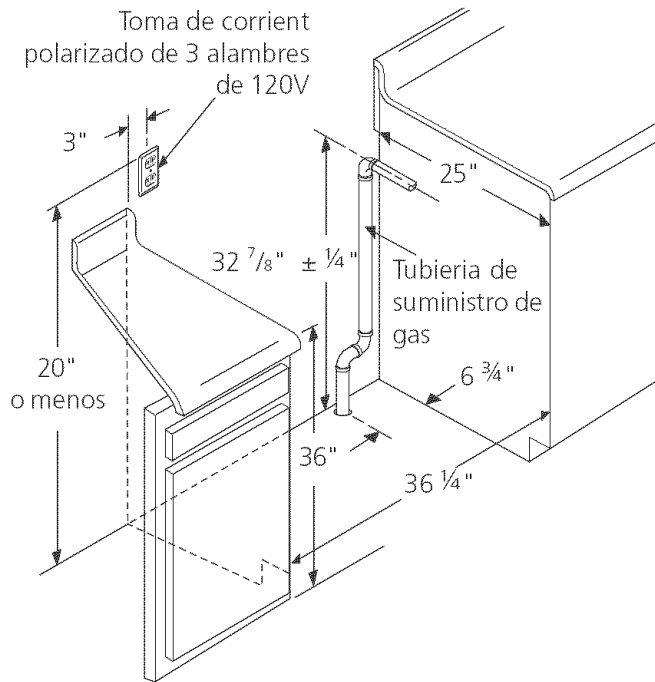


Figura 3

- C. No es fácil de mover la estufa a causa de su tubería sólida, por eso recomendamos de utilizar un conector de metal flexible de diseño AGA certificado. Conecte el conector de metal flexible al ensanchamiento de unión.
- D. Mueva la estufa en su posición aproximada y conecte el conector flexible a la línea de suministro de gas con el ensanchamiento de unión adecuado. Debe usarse el adaptador provisto con el conector flexible.

# INSTRUCCIONES DE INSTALACION PARA LA ESTUFA A GAS DE 36"

E. **Verifique si hay fugas.** Dé la vuelta al suministro de gas de la estufa y utilice un detector de fugas líquidas en todas las articulaciones y conexiones para verificar si existen fugas.



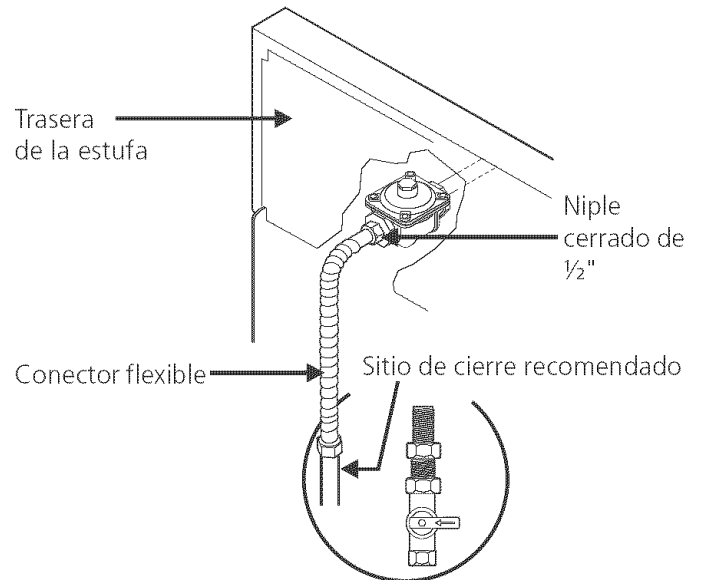
Los sitios recomendados para instalar la toma de corriente eléctrica y la abertura de la tubería se pueden ajustar según los requisitos específicos.

Figura 4

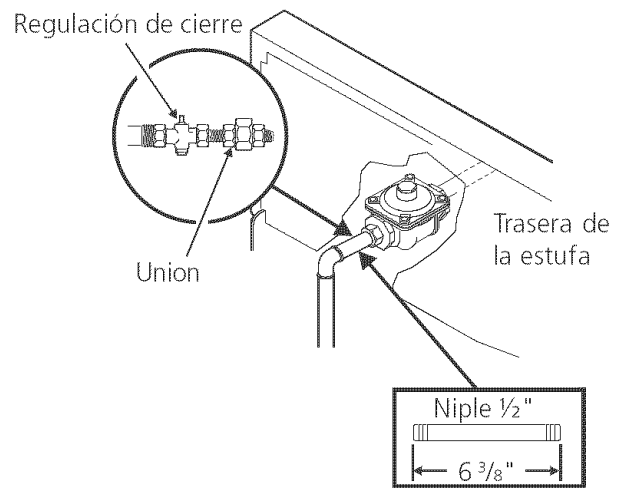
**ADVERTENCIA** No use ningún tipo de llama para verificar si hay fugas de gas.

**Desconecte la cocina y su válvula de cierre individual del sistema de tubería** del suministro de gas durante cualquier ensayo de presión del sistema en ensayos de presión superiores a 14" (aprox. 1/2 psig.)

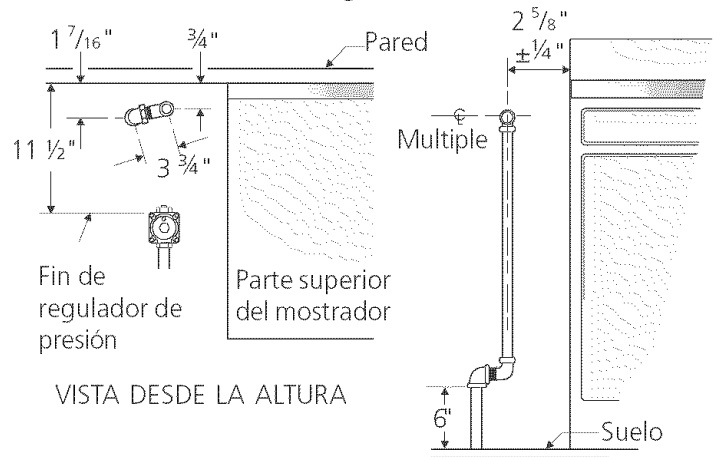
**Aparte la cocina del sistema de tubería** del suministro de gas, cerrando su válvula de cierre individual manual, durante cualquier ensayo de presión del sistema de suministro de gas en ensayos iguales o inferiores a 14" (aprox. 1/2 psig.)



Acoplamiento de conector flexible  
Figura 5



Acoplamiento de tubería sólida  
Figura 6



Detalles de acoplamiento de tubería sólida  
Figura 7

# INSTRUCCIONES DE INSTALACION PARA LA ESTUFA A GAS DE 36"

## 5. Conversión de gas propano/ licuado

### A. Conversión el regulador de presión

No remueva el regulador de presión

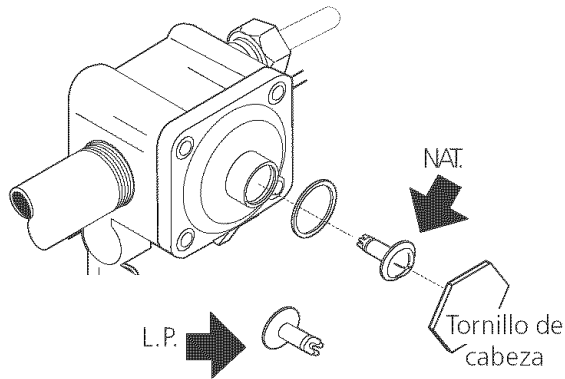
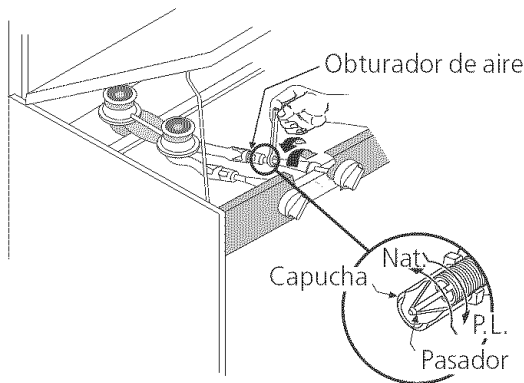


Figura 8

Remueva el tornillo de cabeza y suelte el indicador de gas de nilón empujandole de lado. Gire el indicador de gas de nilón para usar con la especie de gas deseado (Natural o PL) y sitúele de nuevo en el tornillo de cabeza. Vuelva a poner el tornillo de cabeza sobre el regulador de gas.

### B. Conversión las valvulas para quemadores de superficie



Ajuste del quemador superior  
Figura 9

1. Levante la cubierta de la plancha de cocinar para acceder a las juntas en forma de bellota de las quemaduras de superficie.
2. Usando una llave de 1/2", voltée la junta en forma de bellota hacia abajo o en el sentido de las manecillas de un reloj hasta que estén completamente ajustadas (aproximadamente 2 1/2 vueltas). Esto restringe el flujo de gas a través de la junta, permitiendo solamente el flujo de gas por el pasador de medición de gas PL. **No apriete demasiado.**

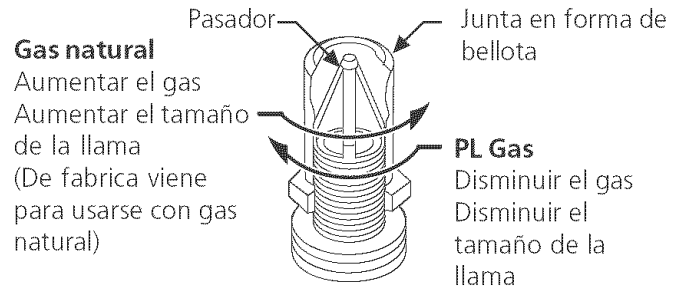


Figura 10

3. Rabaje la superficie superior y abra el gas para determinar si el tamaño de la llama es la apropiada. Esta debe estar estable formando conos internos azules de 1/2" aproximadamente sin extremos amarillos o anaranjados.

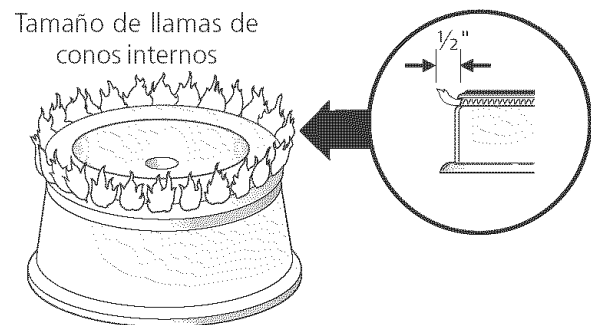


Figura 11

### Ajuste de entrada de aire

Si el obturador de aire está dejando pasar demasiado aire al quemador, la llama será inestable, posiblemente no habrá llama a todo el rededor del quemador, y esta será ruidosa (como un soplete).

### C. Ajuste la regulacion de "LOW" de la superficie de las valvulas para quemadores

1. Gire los controles a ENCENDIDO (LITE) hasta que el quemador se encende.
2. Gire **rápidamente** el boton de control hasta la posicion más baja.
3. Si el quemador se apague, reajuste la valvula como se muestra a continuación: (como se muestra en la página 18).

# INSTRUCCIONES DE INSTALACION PARA LA ESTUFA A GAS DE 36"

## D. Obturador de ajuste para el aire

Proporcione gas al quemador y ajuste el obturador de gas en el vénturi para obtener una llama adecuada. Para gas LP, el obturador de aire se deja generalmente abierto, sin embargo.

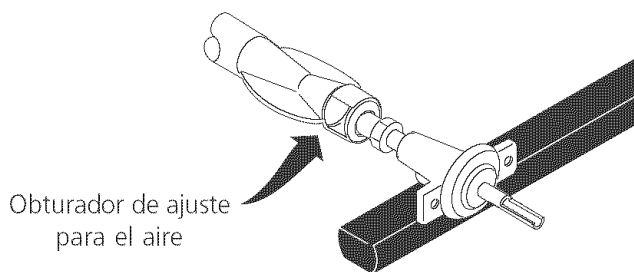


Figura 12

El obturador de ajuste de aire, para cada uno de los cuatro quemadores, está localizado en el extremo abierto del vénturi posicionado sobre la capucha de la válvula. El obturador es mantenido en su punto por fricción.

Si el obturador de aire necesita ajuste, gire el obturador para permitir más o menos entrada de aire en los quemadores (según se necesite).

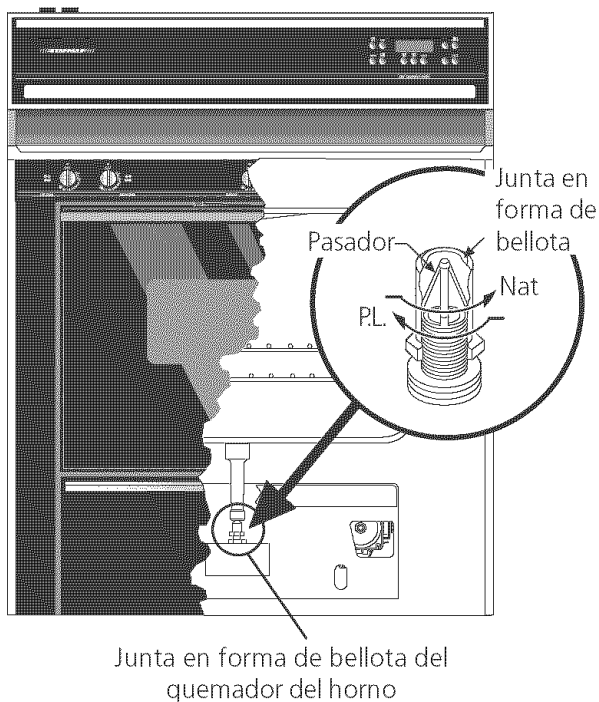


Figura 13

## E. Convierta el orificio del quemador del horno

1. Remueva el cajón de almacenamiento si el horno le tiene o el panel inferior para acceder a las juntas en forma de bellota de las quemaduras del horno.
2. Remueva la parte inferior del horno y el resonador del quemador situado sobre la extremidad del quemador. Para retirar el fondo del horno. Tire la parte de atrás, suelte la parte frontal del fondo del horno del armazón del horno, y tire el fondo del horno en línea recta del horno. Remueva el resonador del quemador para poder observar la llama del quemador.
3. Usando una llave de  $\frac{1}{2}$ ", gire hacia abajo la junta en forma de bellota ajustable que inyecta gas al quemador del horno, hasta que ajuste contra el pasador medidor de P.L. Esto será aproximadamente  $2 \frac{1}{2}$  vueltas. **No apriete demasiado.**
4. Apriete el botón de ASAR y ajuste la temperatura del horno a  $300^{\circ}\text{F}$ . Espere hasta que el horno alterne entre "on" y "off" (prendido y apagado). Para determinar si el tamaño de la llama es la apropiada, observe la llama. Esta debe estar estable formando conos internos azules de 1" aproximadamente sin extremos amarillos o anaranjados.

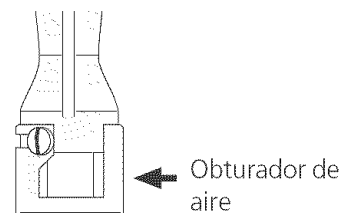


Figura 14

5. Si sea necesario de ajustar el obturador de aire, localice el obturador de aire del quemador del horno, afloje el tornillo del obturador y ajuste para obtener la llama optima. Sera completamente abierta para gas PL. Apriete el tornillo del obturador.

## F. Conversión de la llama del orificio del quemador de la alta cintura de parrilla (Modelos autolimpiables solamente)

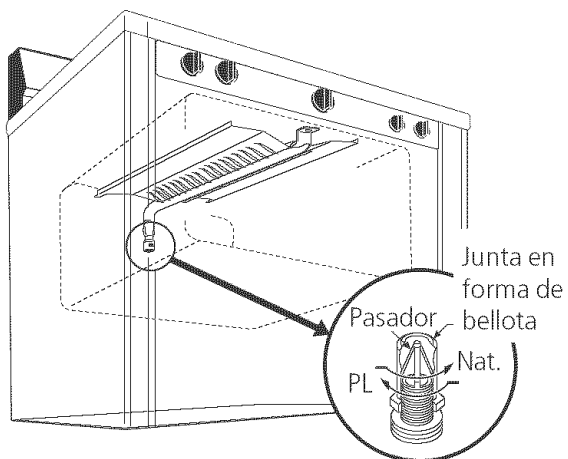


Figura 15

1. Abre la puerta.
2. Localice el quemador en forma de bellota de la parrilla, y gire aproximadamente  $2 \frac{1}{2}$  vueltas, de tal modo que la junta en forma de bellota se asea junta al pasador de medición PL. **No apriete demasiado.**
3. Para determinar si el tamaño de la llama es la apropiada, aprete el boton para HORNEAR y gire el boton de SET al marco LO, y observe la llama de la parrilla. Esta debe estar estable y bien aguda formando conos internos azules de 1" aproximadamente sin extremos amarillos o anaranjados.
4. Si sea necesario de ajustar el obturador de aire, localice el obturador de aire del quemador del horno, afloje el tornillo del obturador para obtener la llama optima (vea figura 14). Debera ser completamente abierta para gas PL. Apriete el tornillo del obturador.

## 6. Conexión de la electricidad a la estufa

### Requisitos eléctricos

Un circuito de cañerías particular conectado correctamente a tierra de 120 voltios, 60 Herz protegidos por un interruptor automático de 15 amp. o un fusible de retardo.

### Tenga extremo cuidado a la utilización de un cable flexible de extensión:

La utilización de un cable flexible de extensión puede ser muy peligrosa; recomendamos de no utilizar un cable flexible de extensión. Sin embargo, si desee utilizar a cualquier precio un cable de extensión, debera ser un cable UL de tres patas de conexión a tierra y la derivación corriente en amperios del cable de extensión debera ser de capacidad normal equivalente o más grande que la capacidad del circuito derivado. Puede obtener estos cables flexibles de extensión a su organización de servicio local.

### Conexion a tier

**IMPORTANTE** Por favor, lea atentamente.

**Como medida de seguridad personal, este artefacto debe conectarse a tierra correctamente.**

El cable de encendido de este artefacto incluye un enchufe de tres patas (de conexión a tierra) que calza con un enchufe de pared estándar de tres patas de conexión a tierra (Figura. 16) para disminuir la posibilidad de peligro de choques eléctricos desde el artefacto.

Se aconseja al consumidor que un electricista calificado verifique el enchufe de pared y el circuito para asegurar que el enchufe esté conectado a tierra correctamente y polarizado.



# INSTRUCCIONES DE INSTALACION PARA LA ESTUFA A GAS DE 36"

## Metodo preferido

Enchufe de pared a tierra

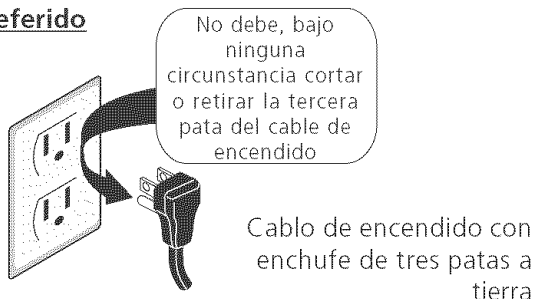


Figura 16

Dónde se encuentre un toma standard de dos patas, será responsabilidad personal y obligación del comprador reemplazarlo por un enchufe de pared de tres patas correctamente conectado a tierra.

**No debe, bajo ninguna circunstancia cortar o retirar la tercera pata (tierra) del cable de encendido.**

**⚠ AVISO** Desconecte el cable eléctrico del toma de la pared antes de hacer mantenimiento.

## 7. Verifique la operación

Refiera el Manual del usuario que viene con la estufa para las instrucciones de funcionamiento y el mantenimiento y la limpieza de su estufa.

No toque a los quemadores. Pueden estar suficientemente calientes par causar quemaduras.

### 1. Verifique los dispositivos de encendido

La manipulación de los dispositivos de encendido eléctrico deberán verificarse tras haber revisado detenidamente la estufa y los conectores del tubo del suministro de fugas y tras haber conectado la estufa al suministro eléctrico.

**Nota:** Para que se pueda usar la cocina con gas PL, la conversión del regulador de presión y el ajuste de las juntas en forma de bellota de los quemadores deben realizarse antes de verificar los dispositivos de encendido; refiere a "Como convertir la estufa para que se pueda usar con gas PL."

## A) Dispositivos de encendido de los quemadores de superficie

Para verificar el correcto encendido, presione hacia adentro y gire una válvula de quemador superior hasta la posición "ENCENDIDO" (LITE). El quemador de superficie debe encender cuando el quemador superior tiene gas disponible. Cada uno de los quemadores debe encenderse dentro de cuatro (4) segundos en el modo de funcionamiento normal después de haber purgado el aire de la línea de suministro de gas. Una vez el quemador encienda debe cambiarse a una posición diferente a "ENCENDIDO" (LITE). Cada valvula debe chequearse independientemente hasta que todos los quemadores hallan sido revisados.

## B) Sistema de encendido del horno

Modelos autolimpiables:

Remueva todos los artículos y el paquete de literatura del horno, y:

1. Aprete el boton para ASAR y ajuste la temperatura del horno a 300 F. En 60 segundos aproximadamente, el quemador de asar (quemador de la parte inferior) debe encender. Verifique para obtener la llama adecuada y aprete el boton de CANCELAR.
2. Aprete el boton para HORNEAR y ajuste la temperatura del horno a 300 F. En 60 segundos aproximadamente, el quemador de hornear (quemador de la parte superior) debe encender. Verifique para obtener la llama adecuada. El quemador debe alternar entre encendido y apagado por lo menos una vez antes de apretar el boton de CANCELAR.

Modelos no autolimpiables:

Remueva todos los artículos y el paquete de literatura del horno, y:

1. Gire el boton de temperatura para ASAR (BAKE) (300°F). En 60 segundos aproximadamente, el quemador de la parte inferior debe encender. Verifique para obtener la llama adecuada. Gire el boton de temperatura a OFF.
2. Gire el boton de temperatura para HORNEAR (BROIL). En 60 segundos aproximadamente, el quemador de la parte inferior debe encender. Verifique para obtener la llama adecuada. Gire el boton de temperatura a OFF.

# INSTRUCCIONES DE INSTALACION PARA LA ESTUFA A GAS DE 36"

## 2. Ajuste el marco de "LOW" de la superficie de las valvulas para quemadores (vea figura 17)

Tornillo en el vástago

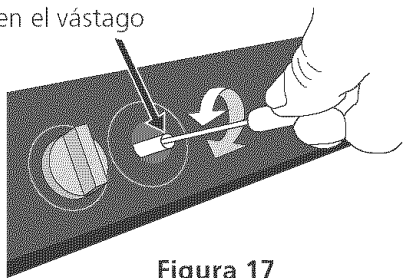


Figura 17

1. Gire los controles a ENCENDIDO (LITE) hasta que el quemador se encende.
2. Gire **rápido**mente el boton de control hasta la POSICION MÁS BAJA.
3. Si el quemador se apague, reajuste la valvula como se muestra a continuación:  
Retire el botón de control del quemador, inserte un destornillador de cuchillo delgado en el vástago del agujero de la válvula y encaje el tornillo ranurado adentro. El tamaño de la llama se puede aumentar o disminuir girando el tornillo. Gradúe la llama hasta que se pueda girar rápidamente hacia abajo desde LITE hasta LOWEST POSITION sin apagar la llama. La llama deberá ser lo más baja posible y estable sin apagarse.

## 8. Asegurese que la estufa esta a nivel

Nivele la estufa, instalado un nivel horizontalmente sobre una rejilla del horno. Verifique en diagonal de adelante hacia atrás, y nivele la estufa ajustando las patas de nivelación o poniendo cuñas por debajo de los ricónes de la estufa como sea necesario.

## 9. Despues de la instalación, conecte el cable de energía y ponga el control de la regulacion del reloj del horno electrónico a la buena hora como se muestra en la guía del usuario.

## 10. Verifique si todos los controles del horno electrónico funcionan correctamente, in acuerdo con las instrucciones de la guía del usuario.

## 11. Asegurese que el flujo de combustión de la ventilacion del horno y la ventilación de aire de la parte más baja del armazón de la estufa no estén obstruidos.

### Quando se han realizado todos los sistemas de conexión

Asegurese que todos los controles están en la posición de apagado.

**NOTA:** Consulte el Manual de usuario para completas instrucciones o solicitud de información acerca de su estufa.

**NOTA:** Consulte el Manual de usuario para las instrucciones de funcionamiento y limpieza.

### Importante: Ver la pagina 10 para las instrucciones de instalación del soporte antivuelco.

### Modelo y ubicación del número de serie

El modelo y la placa de numero de serie están ubicados al lado izquierdo, por debajo del armazón de la plancha para cocinar.

Asegúrese de incluir el modelo y número de serie que se encuentran en la placa de su estufa, en todo pedido de partes o solicitud de información acerca de su estufa.

La placa de número de serie también indica las especificaciones de los quemadores, el tipo de combustible y la presión para la cual fué ajustada la estufa en la fábrica.

### Antes de llamar al servicio técnico

Consulte el Manual del usuario para las instrucciones de funcionamiento u limpieza.

Verifique que los fusibles de la casa no se hayan fundido o el cortacircuitos de la estufa no hayan saltado o abierto.

## 12. Advertencia de seguridad importante

Esta estufa debe ser asegurada al piso usando las platinas de anclaje y los tornillos suministrados. El no instalar apropiadamente los soportes antivuelco puede llegar a permitir que la estufa se incline hacia adelante, accidentalmente, si se coloca un peso excesivo sobre la puerta abierta o si un niño se sube en ella. La estufa caliente a los líquidos calientes derramados podrían causar serias lesiones personales. Refiérase a las instrucciones que se dan a continuación para la correcta instalación de los soportes antivuelco. Figura A.

**NOTA:** Si mueva la estufa a otro sitio, deba también mover los soportes antivuelco para instalarlas con la estufa.

### Instrucciones para de instalación del soporte antivuelco

Las piezas se encuentran en un saco de plástico en el horno.

#### Herramientas requeridas:

Llave de tuerca de 5/16" o destornillador de cabeza plana

Llave ajustable

Broca para mampostería de 3/16" de diámetro (para taladrar concreto)

Asegure las platinas al piso en la parte posterior de la estufa de forma que soporten las dos patas niveladoras traseras. Al colocarlas asegúrese de no perforar alambres eléctricos o tubería. Los tornillos suministrados pueden usarse en concreto o madera.

La estufa puede anclarse al piso en una residencia con las platinas de anclaje, tal como se ilustra en la figura "A". Estas platinas permiten que la estufa se hale hacia adelante para su limpieza o reparación, sin necesidad de usar herramientas.

1. Asegure las platinas de anclaje al piso o a la pared posterior con los tornillos suministrados. **Importante:** las platinas deben anclarse sobre madera o piso sólido. No deben anclarse sobre estuco, chapa de roca o algún otro material de baja resistencia. Si el anclaje va a hacerse sobre la pared posterior, deben removerse todas la molduras que queden detrás de la estufa.
2. Si las platinas van a anclarse en pisos de mampostería o cerámica, coloque las platinas en el piso y marque la ubicación de los orificios. Taladre orificios de 3/16".
3. Gire las patas niveladoras 3 vueltas hacia abajo de forma que las platinas deslicen sobre las cabezas niveladoras.
4. Nivele la parte delantera y trasera de la estufa y las partes laterales con los dos niveladores de pata delanteros y los niveladores traseros.

5. Deslice la estufa hasta que quede en su lugar asegurándose de que las patas traseras están atrapadas bajo las platinas de anclaje. Puede ser necesario balancear la estufa hacia los lados a medida que se desliza hacia atrás para lograr que las patas traseras se alineen con las platinas de anclaje. Para asegurarse de que la estufa está correctamente anclada remueva el cajón de almacenamiento o el panel inferior, también puede verificarse la instalación tratando, cuidadosamente, de inclinar la estufa hacia adelante.

En casas móviles la estufa debe anclarse al piso como se muestra en la figura B.

1. Remueva el panel falso o el cajón de almacenamiento para poder alcanzar los orificios de anclaje.
2. En el centro de cada riel de la base de la estufa se suministra un orificio de 1/4" para el anclaje al piso.

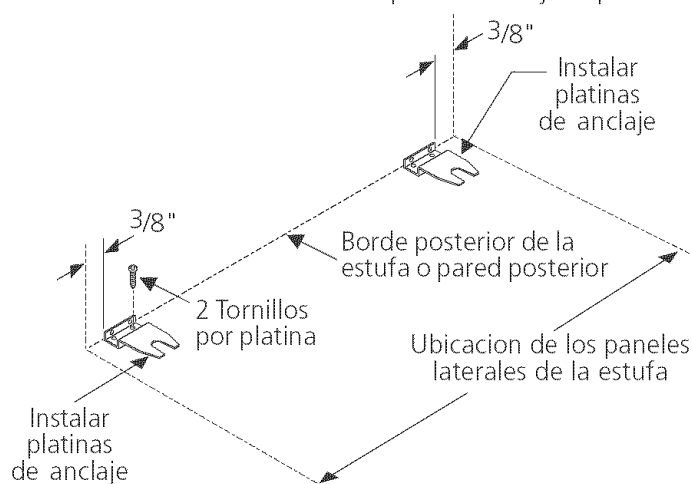


Figura A

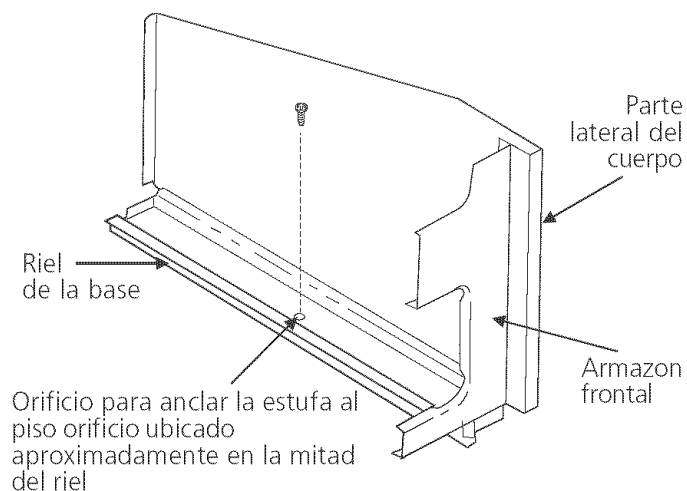
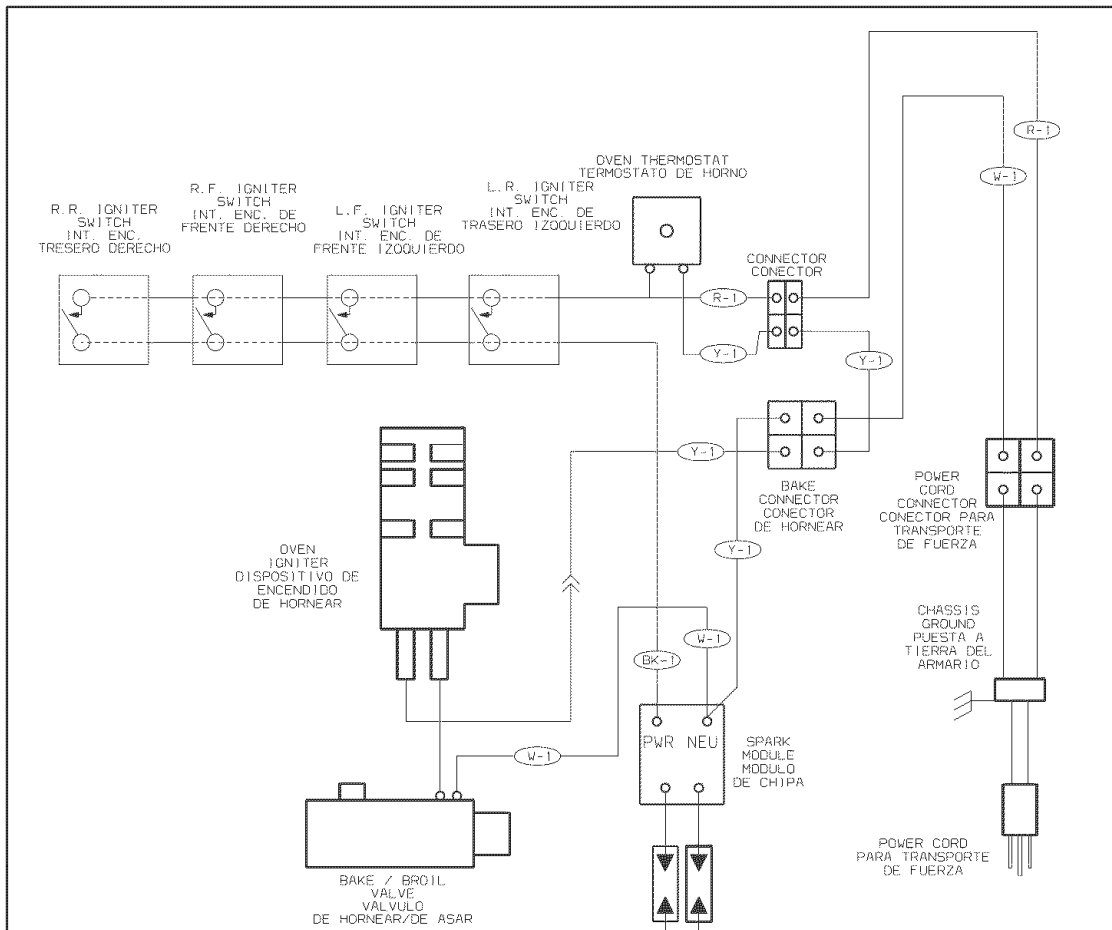


Figura B

**ADVERTENCIA** Pararse, aóyarse o sentarse en la puerta o cajón de esta estufa causar serias lesiones personales y también puede dañar la estufa.

# WIRING DIAGRAM - 318045808 - DIAGRAMA DE LA INSTALACIÓN ALÁMBRICA

(Manual Clean Models with Griddle - Modelos limpieza manual con parilla)



**CAUTION:**  
 LABEL ALL WIRES PRIOR TO DISCONNECTION WHEN SERVICING CONTROLS.  
 WIRING ERROR CAN CAUSE IMPROPER AND DANGEROUS OPERATION.  
 VERIFY PROPER OPERATION AFTER SERVICING.

**AVISO:**  
 ETIQUETE TODOS LOS ALAMBRES ANTES DE DESCONECTAR PARA REALIZAR EL  
 MANTENIMIENTO DE LOS CONTROLES.  
 ERROR DE ALAMBRAJE PUEDE CAUSAR UN FUNCIONAMIENTO INCORRECTO Y  
 PELIGROSO.  
 VERIFIQUE SI EL FUNCIONAMIENTO ESTA CORRECTO DESPUES DEL MANTENIMIENTO.

**WARNING**  
 DISCONNECT POWER  
 BEFORE SERVICING UNIT

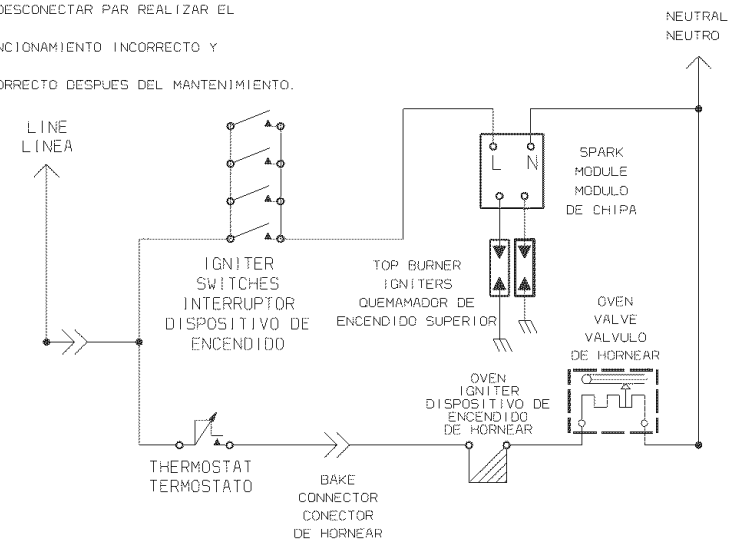
**AVISO**  
 DESCONECTE LA ENERGIA ANTES  
 DE REALIZAR EL MANTENIMIENTO  
 DEL ELECTRODOMESTICO.

COLOR WIRE NO.  
 NO. DE COLOR DE ALAMBRE

( Y-1 )

**COLOR CODE/CODIGOS DE COLOR**

B .- BLACK/NEGRO	P .- PINK/ROSA
BL .- BLUE/AZUL	PR .- PURPLE/PURPUREO
BR .- BROWN/MORENO	R .- RED/ROJO
C .- COPPER/COBRE	T .- TAN/TOSTADO
G .- GREEN/VERDE	V .- VIOLET/VIOLETA
GY .- GREY/GRIS	W .- WHITE/BLANCO
O .- ORANGE/NARANJA	Y .- YELLOW/AMARILLO

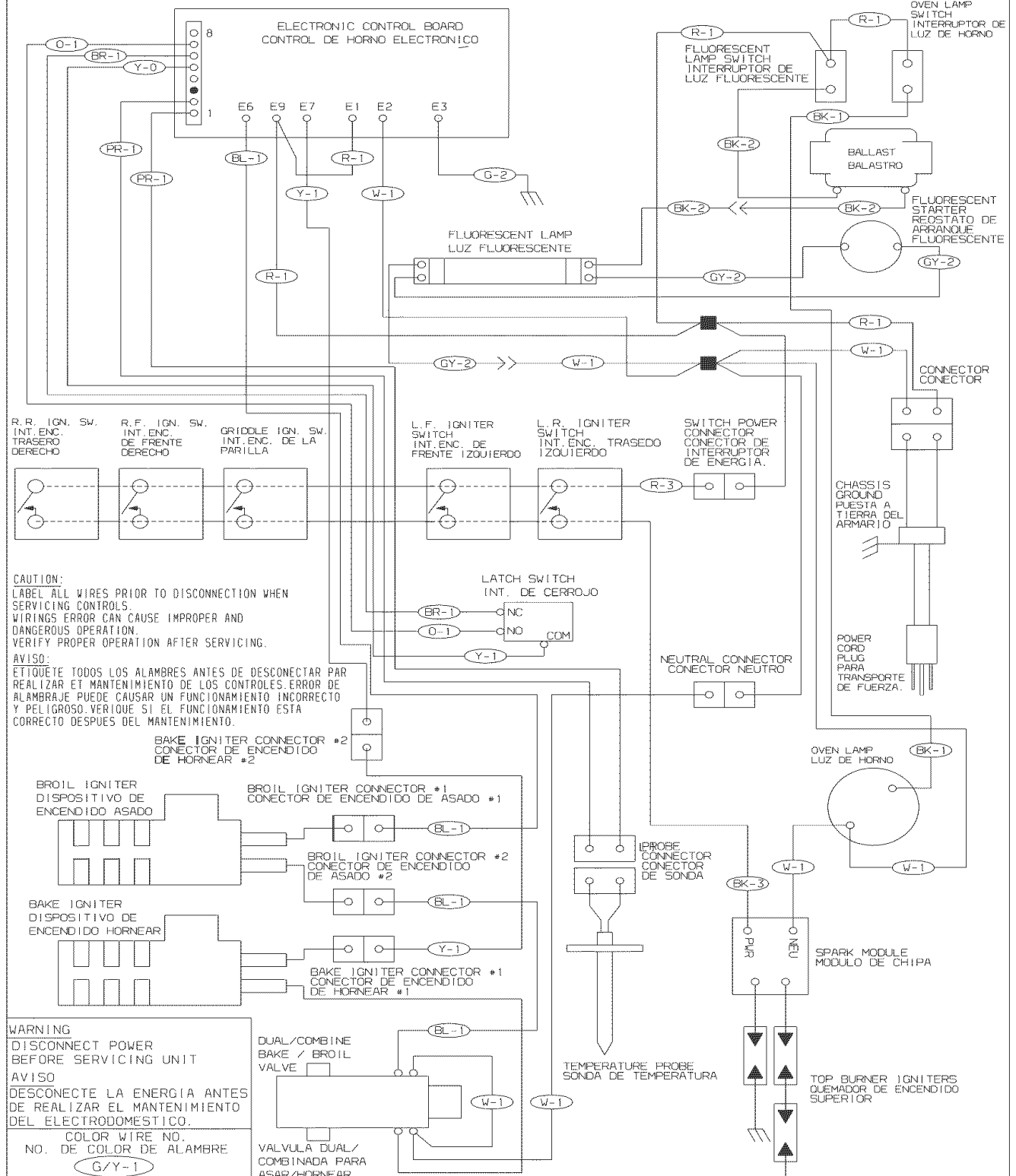


1	20	125	3173
WIRE ALAMBRE	GAGE MEDIDA	TEMP °C	UL STYLE MODD UL

318045808 REV. A

# WIRING DIAGRAM - 318045809 - DIAGRAMA DE LA INSTALACIÓN ALÁMBRICA

(Manual Clean Models without Griddle - Modelos limpieza manual sin parilla)



**CAUTION:**  
 LABEL ALL WIRES PRIOR TO DISCONNECTION WHEN SERVICING CONTROLS.  
 WIRINGS ERROR CAN CAUSE IMPROPER AND DANGEROUS OPERATION.  
 VERIFY PROPER OPERATION AFTER SERVICING.

**AVISO:**  
 ETIQUETE TODOS LOS ALAMBRES ANTES DE DESCONECTAR PARA REALIZAR EL MANTENIMIENTO DE LOS CONTROLES. ERROR DE ALAMBRAJE PUEDE CAUSAR UN FUNCIONAMIENTO INCORRECTO Y PELIGROSO. VERIFIQUE SI EL FUNCIONAMIENTO ESTA CORRECTO DESPUES DEL MANTENIMIENTO.

**WARNING**  
 DISCONNECT POWER BEFORE SERVICING UNIT  
**AVISO**  
 DESCONECTE LA ENERGIA ANTES DE REALIZAR EL MANTENIMIENTO DEL ELECTRODOMESTICO.

COLOR WIRE NO.  
 NO. DE COLOR DE ALAMBRE  
 G/Y-1

COLOR CODE/CODIGOS DE COLOR			
BK - BLACK / NEGRO	P - PINK / ROSA	3	20
BL - BLUE / AZUL	PR - PURPLE / PURPUREO	2	18
BR - BROWN / MORENO	R - RED / ROJO	1	20
C - COPPER / COBRE	T - TAN / TOSTADO		
G - GREEN / VERDE	V - VIOLET / VIOLETA		
GY - GREY / GRIS	W - WHITE / BLANCO		
O - ORANGE / NARANJA	Y - YELLOW / AMARILLO		

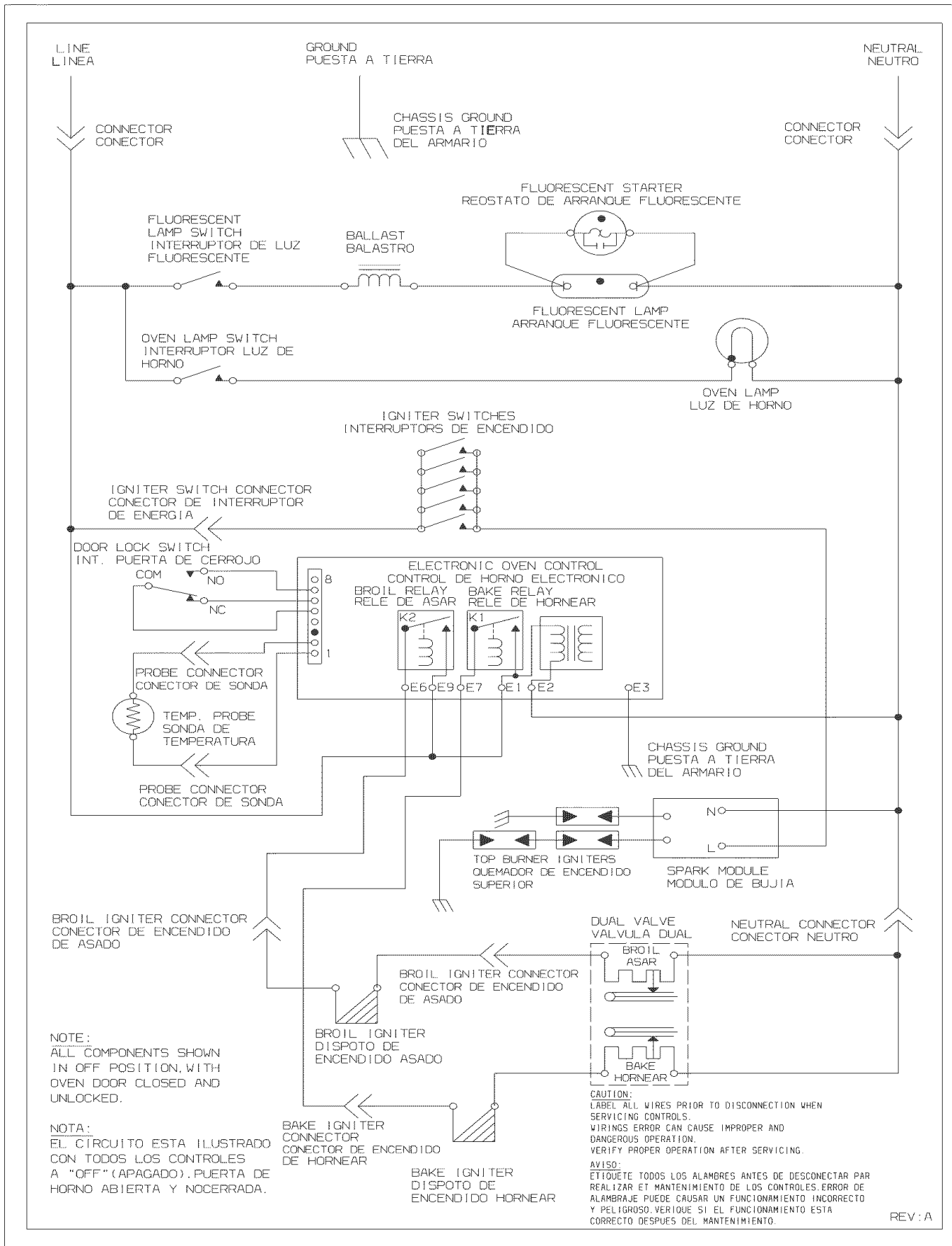
WIRE ALAMBRE	GAGE MEDIDA	TEMP °C	UL STYLE MODO UL
3	20	150	3321
2	18	125	3173
1	20	125	3173

318045809 REV A

SHEET HOJA : 1

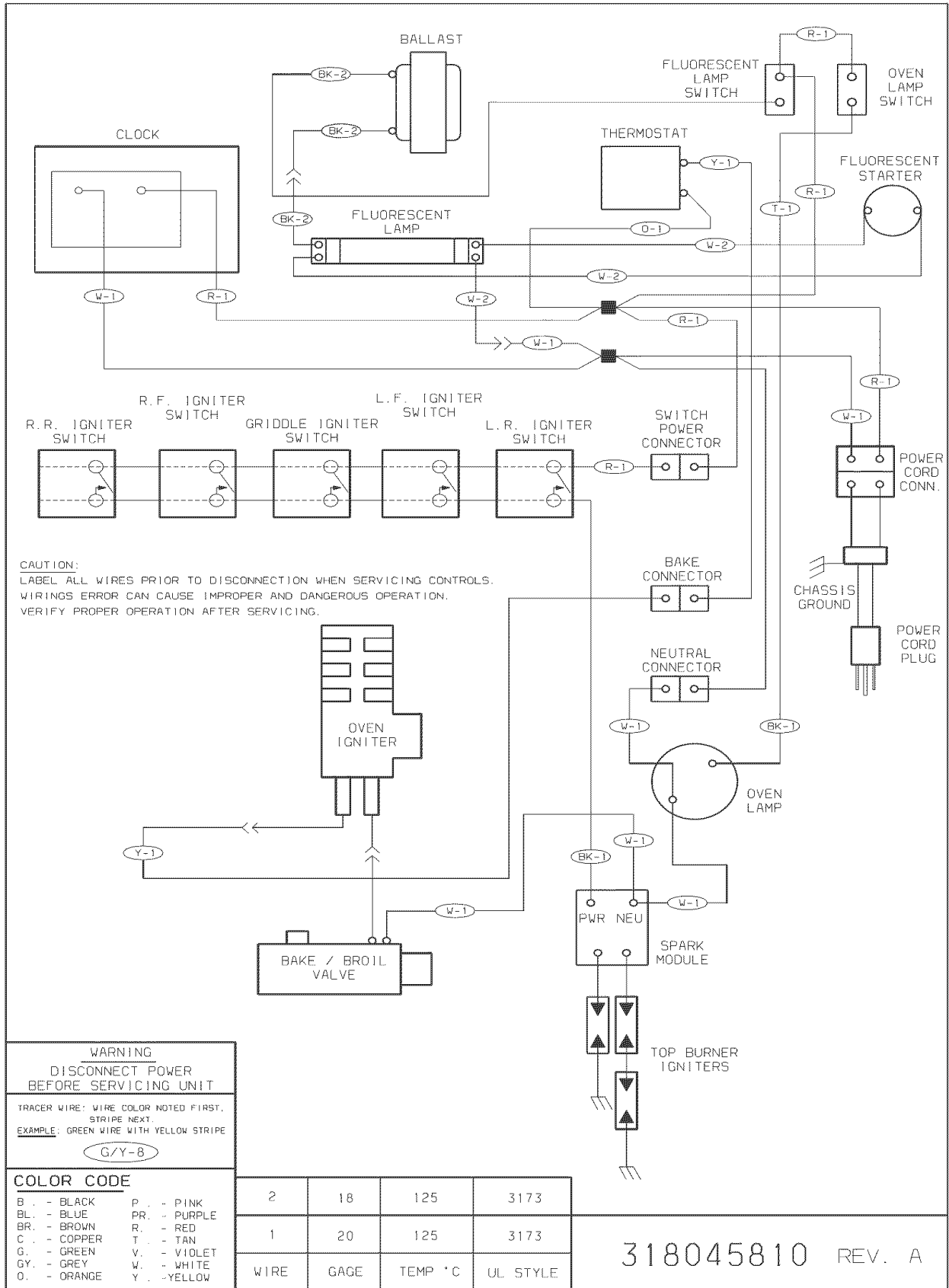
# WIRING DIAGRAM - 318045809 - DIAGRAMA DE LA INSTALACIÓN ALÁMBRICA

(Models with Self-Cleaning Oven - Modelos con horno autolimpiables)



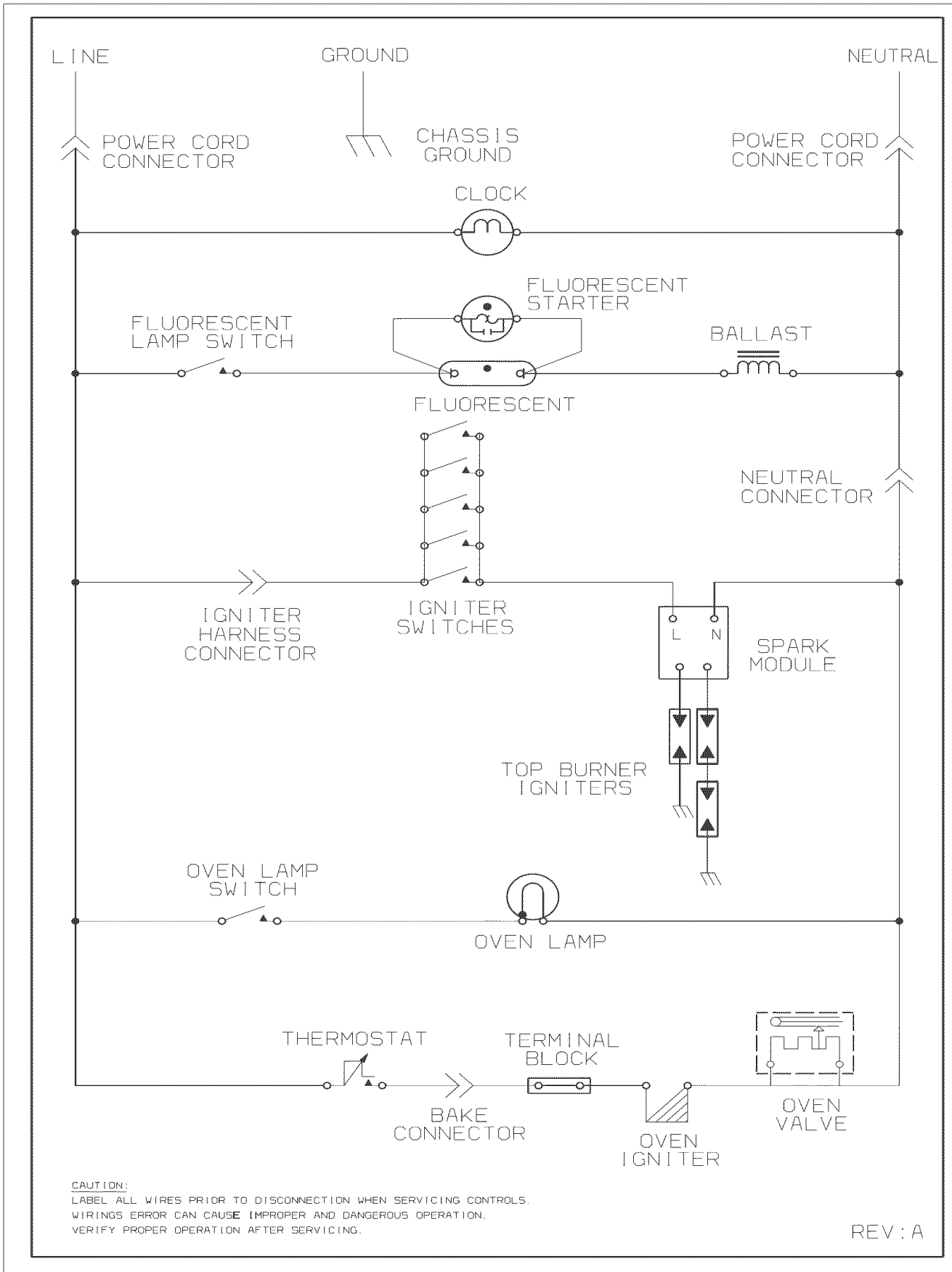
# WIRING DIAGRAM - 318045810 - DIAGRAMA DE LA INSTALACIÓN ALÁMBRICA

(Models with Self-Cleaning Oven - Modelos con horno autolimpiables)



# WIRING DIAGRAM - 318045903 - DIAGRAMA DE LA INSTALACIÓN ALÁMBRICA

(Models with Self-Cleaning Oven - Modelos con horno autolimpiables)



**CAUTION:**  
 LABEL ALL WIRES PRIOR TO DISCONNECTION WHEN SERVICING CONTROLS.  
 WIRINGS ERROR CAN CAUSE IMPROPER AND DANGEROUS OPERATION.  
 VERIFY PROPER OPERATION AFTER SERVICING.

REV : A