

PRODUCT MODEL SERIES

KBHS109S

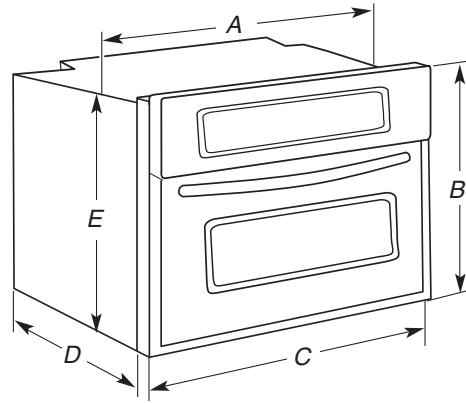
KBHS179S

Electrical: Microwave oven must be connected to the proper electrical voltage and frequency as specified on the model/serial number rating plate. The model/serial number rating plate is located on the right-hand microwave oven frame. When a 4-wire or 3-wire, single phase 120/208 or 120/240 volt, 60Hz, AC only electrical supply is available, a 20-amp maximum circuit protection is required, fused on both sides of the line.

NOTE: Models KBHC109 and KBHC179 require a 30-amp circuit.

A time-delay fuse or circuit breaker is recommended. Connect directly to the fused disconnect (or circuit breaker box) through flexible, armored or nonmetallic sheathed, copper cable (with grounding wire).

OVERALL DIMENSIONS



27" (68.6 cm) models

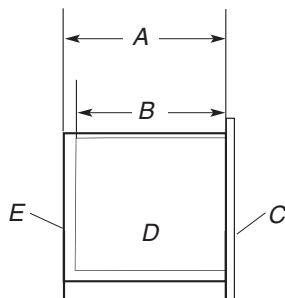
- A. 25 ⁵/₁₆" (64.3 cm) recessed width
- B. 20 ⁵/₁₆" (51.6 cm) overall height
- C. 26 ³/₄" (67.9 cm) overall width
- D. 23" (58.3 cm) max. recessed depth
- E. 18 ³/₄" (47.6 cm) recessed height

30" (76.2 cm) models

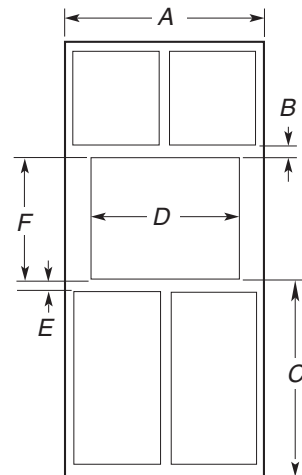
- A. 28 ⁵/₁₆" (71.9 cm) recessed width
- B. 20 ⁵/₁₆" (51.6 cm) overall height
- C. 29 ³/₄" (75.6 cm) overall width
- D. 23" (58.3 cm) max. recessed depth
- E. 18 ³/₄" (47.6 cm) recessed height

CABINET OPENING DIMENSIONS

Cabinet Side View



- A. 23 ¹/₄" (59.1 cm) min. cutout depth
- B. 23" (58.4 cm) recessed oven depth
- C. Oven front
- D. Recessed oven
- E. Cabinet



27" (68.6 cm) models

- A. 27" (68.6 cm) min. cabinet width
- B. 1" (2.5 cm) top of cutout to bottom of upper cabinet door
- C. 40" (101.2 cm) bottom of cutout to floor (recommended)
- D. 25 ¹/₂" (64.8 cm) cutout width
- E. 1 ¹/₂" (3.8 cm) min. bottom of cutout to top of cabinet door
- F. 19 ⁷/₁₆" (49.4 cm) cutout height

30" (76.2 cm) models

- A. 30" (76.2 cm) min. cabinet width
- B. 1" (2.5 cm) top of cutout to bottom of upper cabinet door
- C. 40" (101.2 cm) bottom of cutout to floor (recommended)
- D. 28 ¹/₂" (72.4 cm) cutout width
- E. 1 ¹/₂" (3.8 cm) min. bottom of cutout to top of cabinet door
- F. 19 ⁷/₁₆" (49.4 cm) cutout height