



Frigidaire

Factory Parts Catalog

Product No.	GLMV169DBF	PLMV169DCG
Market	North America	North America
Color	black	stainless steel
Volts	120	120
Watts	1000	1000
Wiring Diagram	5995503835	5995503835
Owner's Guide	TINSEB478MRR0	TINSEB478MRR0
Installation Instructions	316137234	316137234

 **Electrolux**

Electrolux Major Appliances
 North & Latin America
 P.O. BOX 212378
 AUGUSTA, GA 30917

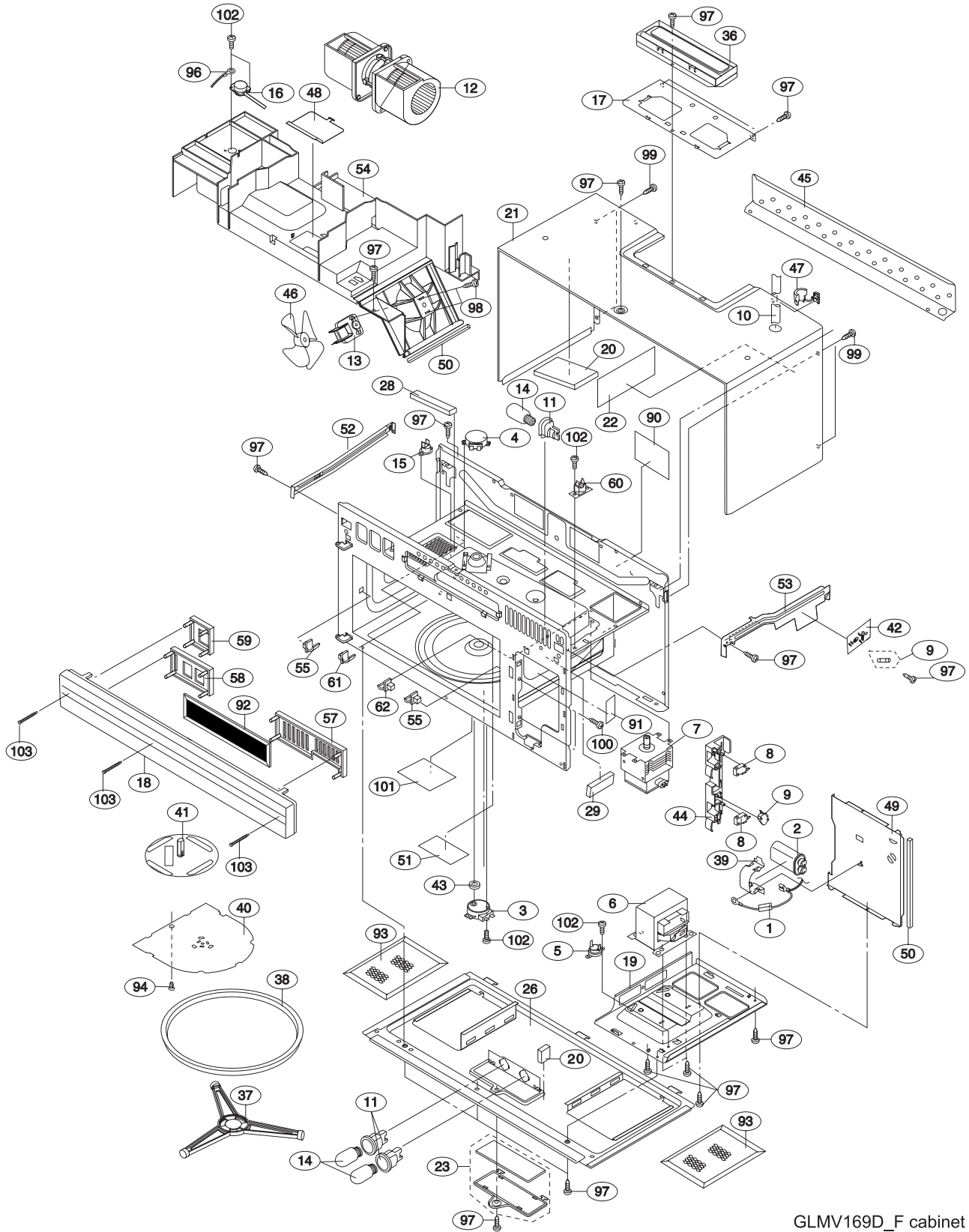
Publication No.
5995503835
 07/11/19
 (EN/SERVICE/KC)
 099

**OVER-RANGE
 MICROWAVE**

Model No.
GLMV169D / PLMV169D

Copyright © 2007 Electrolux Home Products, Inc.
 All rights reserved.

OVEN, CABINET



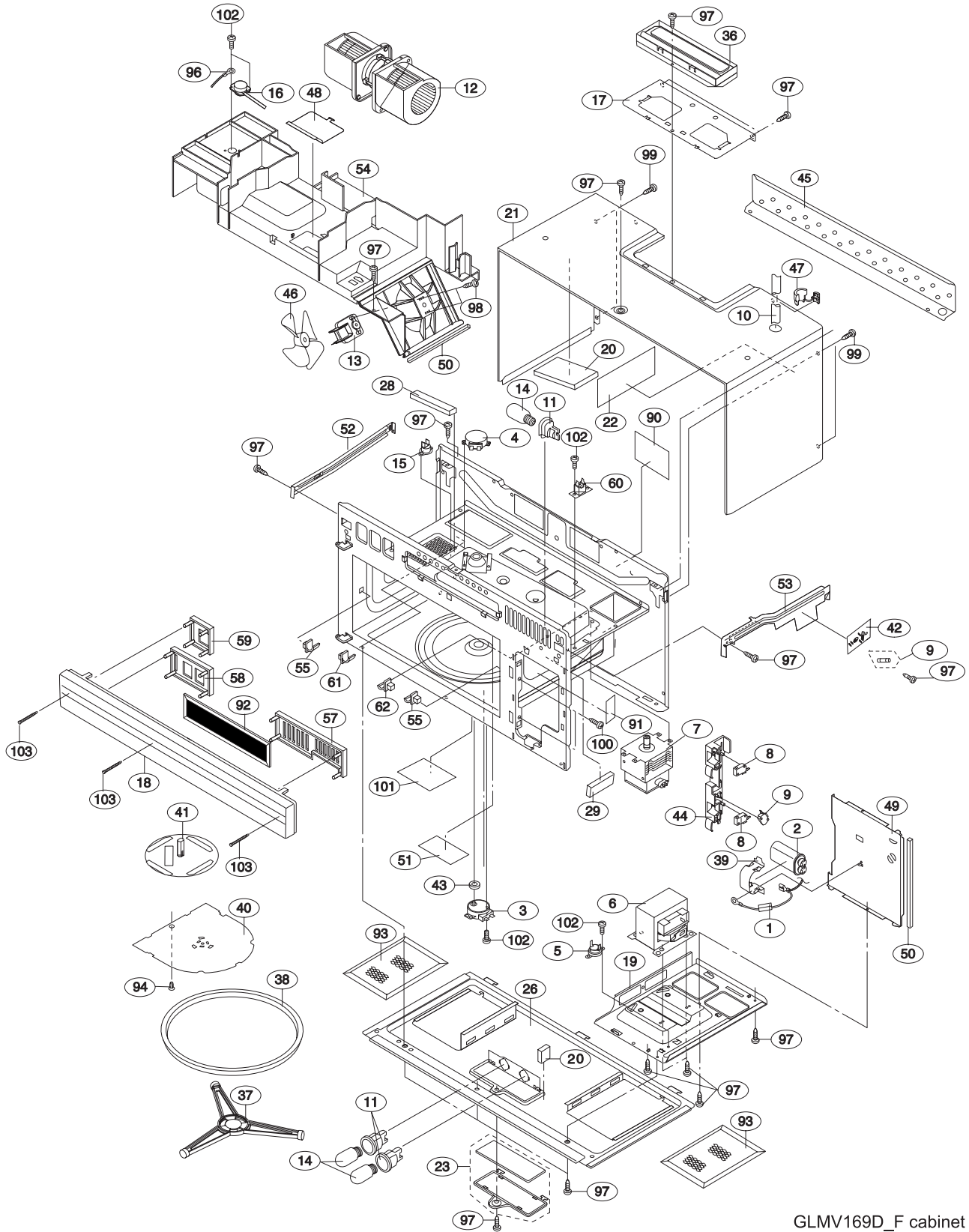
GLMV169D_F cabinet

OVEN,CABINET

Model Index: A GLMV169D (GLMV169DBF)
B PLMV169D (PLMV169DCG)

POS. NO	PART NO.		DESCRIPTION
1 #	5304461352	A B	Rectifier, high voltage
2 #	5304440020	A B	Capacitor, high voltage
3 #	5304448488	A B	Motor, turntable
4 #	5304448489	A B	Motor, stirrer fan
5 #	5304440023	A B	Thermal Cutout, hood
6 #	5304456053	A B	Transformer, power
7 #	5304461353	A B	Magnetron
8 #	5304440026	A B	Switch, interlock, door sensor
9 #	5303319559	A B	Switch, monitor, w/ceramic fuse
10 #	5304440028	A B	Power Cord, electric
11 #	5303319561	A B	Receptacle, lamp socket, oven
12 #	5304440029	A B	Motor, hood fan
13 #	5304448490	A B	Motor, cooling fan
14	5304440031	A B	Lamp, incandescent, 20 W, (3)
15 #	5304440032	A B	Thermal Cutout, oven cavity
16 #	5304440033	A B	Sensor, humidity, cook control
17	5304440232	A B	Plate, rear stay
18	5304454555	A -	Grille, exhaust, black
18	5304464742	- B	Grille, exhaust, stainless steel
19	5304464340	A B	Base, transformer, right side
20	5304440237	A B	Cushion, cabinet
21	5304445465	A B	Cabinet, outer casing, black
22	5304451803	A B	Wiring Diagram, schematic, label
23	5303319573	A B	Lens/Frame Assy, lamp
26	5304464341	A B	Cover, unit base, black
28	5304441369	A B	Cushion, cavity top pnl
29	5304441370	A B	Cushion, magnetron pad
36	5304464343	A B	Damper Assembly, exhaust
37	5304440284	A B	Support Assy, turntable
38	5304440285	A B	Tray, turntable, glass
39	5303319587	A B	Retainer, capacitor strap
40	5304440286	A B	Cover, stirrer fan
41 #	5304440287	A B	Stirrer Assembly
42 #	5304451818	A B	Filter, noise, electronic
43	5304440288	A B	Bushing, motor shaft, turntable
44	5304440289	A B	Latch Hook
45	5304464344	A B	Bracket, unit mtg plate, rear
46 #	5304440291	A B	Fan Blade, mag cooling fan
47	5303319605	A B	Bushing, grommet, power cord
48	5304440292	A B	Cover, oven lamp
49	5304440293	A B	Duct, hood intake, right side
50	5304440294	A B	Cushion, intake duct
51	5304440295	A B	Lens, lamp filter
52	5304461366	A B	Support, chassis, left side
53	5304461367	A B	Support, chassis, right side
54	5304451828	A B	Duct, exhaust hood
55	5304440299	A B	Support, rack, front
57	5304459558	A B	Cover A, grille louver
58	5304464347	A B	Cover B, grille louver

OVEN, CABINET



GLMV169D_F cabinet

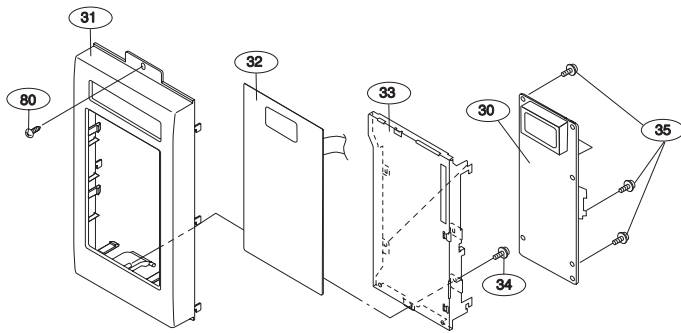
OVEN,CABINET

Model Index: A GLMV169D (GLMV169DBF)
 B PLMV169D (PLMV169DCG)

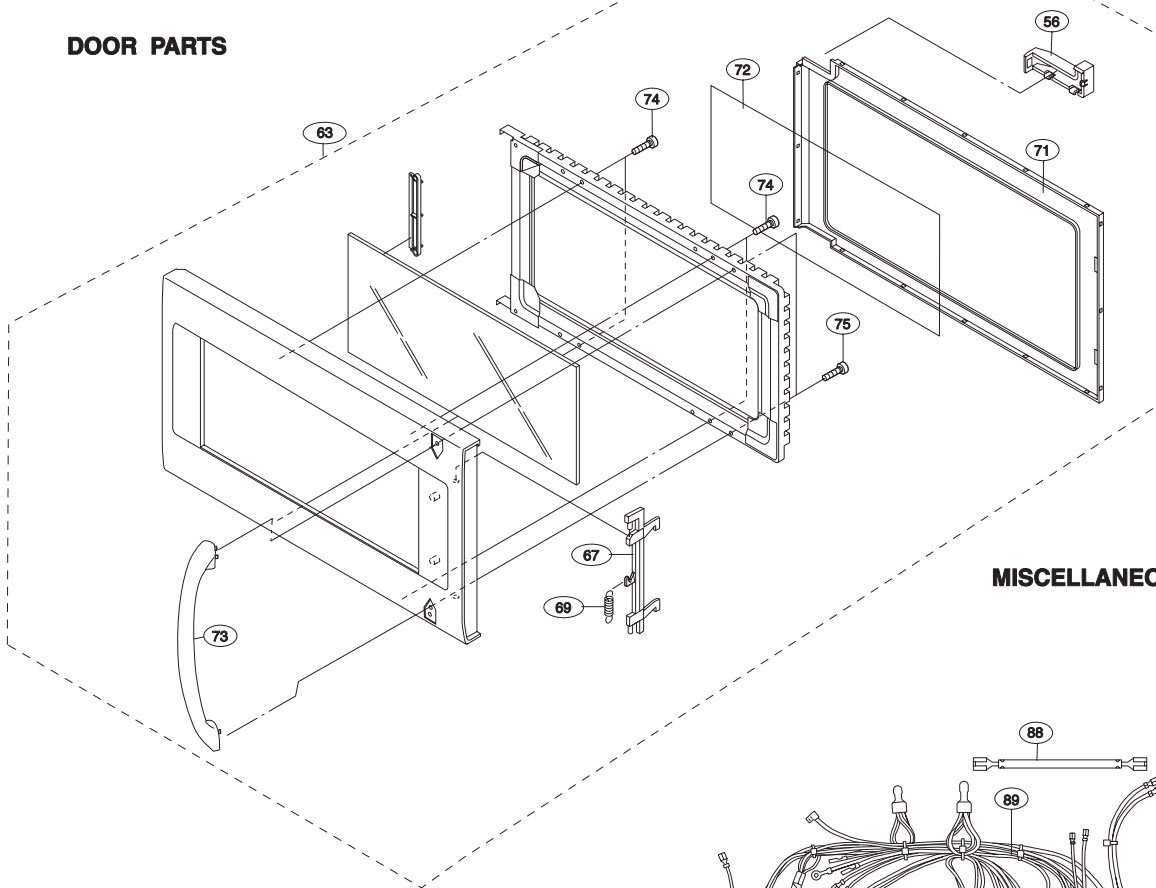
POS. NO	PART NO.		DESCRIPTION
59	5304464348	A B	Cover C, grille louver
60 #	5304458211	A B	Fuse, magnetron
61	5304441371	A B	Support, rack, left rear
62	5304441372	A B	Support, rack, right rear
90	5304440333	A B	Label, Caution-DHHS
91	5304440334	A B	Label, Caution-monitor
92	5304440335	A B	Filter, inside exhaust, charcoal
93	5303319568	A B	Filter, grease, (2)
94	5304440337	A B	Clip, canoe type, stirrer cover
96 #	5304440339	A B	Wire, sensor ground
97	5304451553	A B	Screw, 4 mm x 12 mm
98	5304461379	A B	Screw, 4mm x 8mm
99	5303319639	A B	Screw, wrapper, back
100	5303319641	A B	Screw
101	5304441900	A B	Label, Caution-DHHS
102	5304453725	A B	Screw, 3mm x 8mm
103	5303319640	A B	Screw, black

CONTROL PANEL, DOOR, MISC.

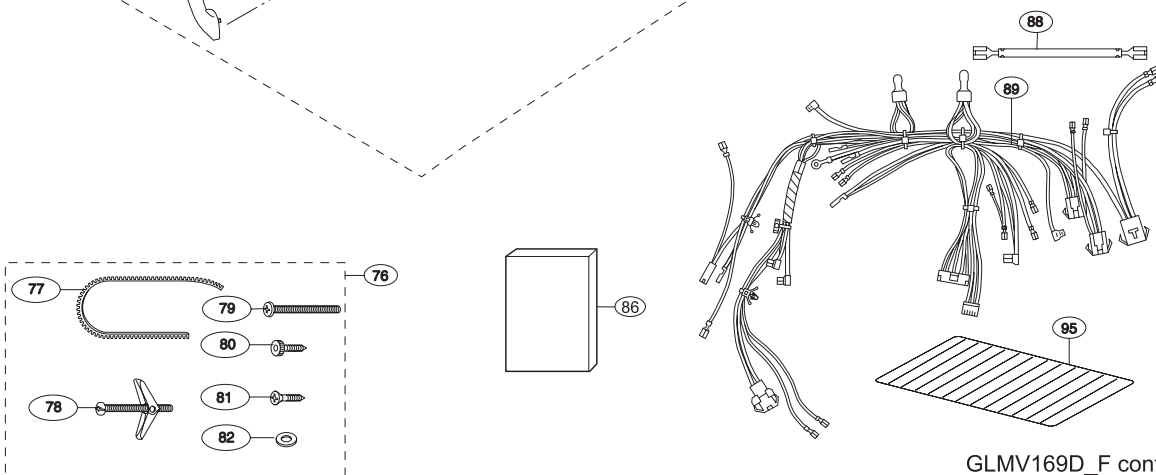
CONTROL PANEL PARTS



DOOR PARTS



MISCELLANEOUS



GLMV169D_F controls

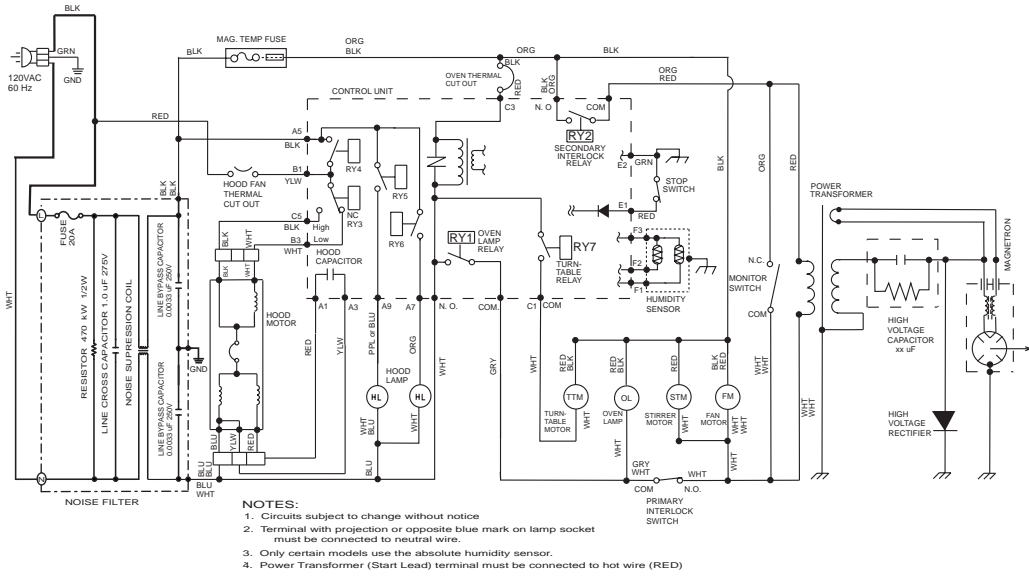
CONTROL PANEL,DOOR,MISC.

Model Index: A GLMV169D (GLMV169DBF)
B PLMV169D (PLMV169DCG)

POS. NO	PART NO.		DESCRIPTION
30 #	5304440245	A B	Control Board, printed circuit
31	5304445604	A -	Frame, control panel, black
31	5304448491	- B	Frame, control panel, stainless steel
32 #	5304443989	A B	Touch Control, key pad, black
33	5304440281	A B	Panel, control mount
34	5304456930	A B	Screw, 3 mm x 10 mm
35	5304458568	A B	Screw, 3 mm x 10 mm
56	5304440300	A B	Door Stop
63 #	5304441374	A -	Door Assy, black, w/handle
63 #	5304458212	- B	Door Assy, stainless, w/handle
	Not Replaceable	A B	Door components not listed available only as part of complete door assembly
67	5304440314	A B	Latch, door
69	5304440316	A B	Spring, door latch
71	5304440320	A B	Frame, choke cover, inner door
72	5304440321	A B	Seal, door, film
73	5304440323	A -	Handle, door, black
73	5304456145	- B	Handle, door, stainless steel
74	5304451561	A B	Screw, 4 mm x 8 mm
75	5304458213	A B	Screw, 4 mm x 12 mm
76	5304464349	A B	Hardware, installation, kit
77	5303318761	A B	Sleeve, power cord, grommet
78	5303318762	A B	Screw, toggle
79	5304453895	A B	Screw, 5mm x 85mm
80	5304451553	A B	Screw, 4 mm x 12 mm
81	5304453723	A B	Screw, 5mm x 35mm
82	5304453724	A B	Washer
86	5304451830	A B	Template, installation, top
86	5304464350	A B	Template, installation, wall
88 #	5304440331	A B	Wire, high voltage-A
89 #	5304461378	A B	Wiring Harness, main-A
95	5304440338	A B	Rack, microwave oven, wire

WIRING SCHEMATIC

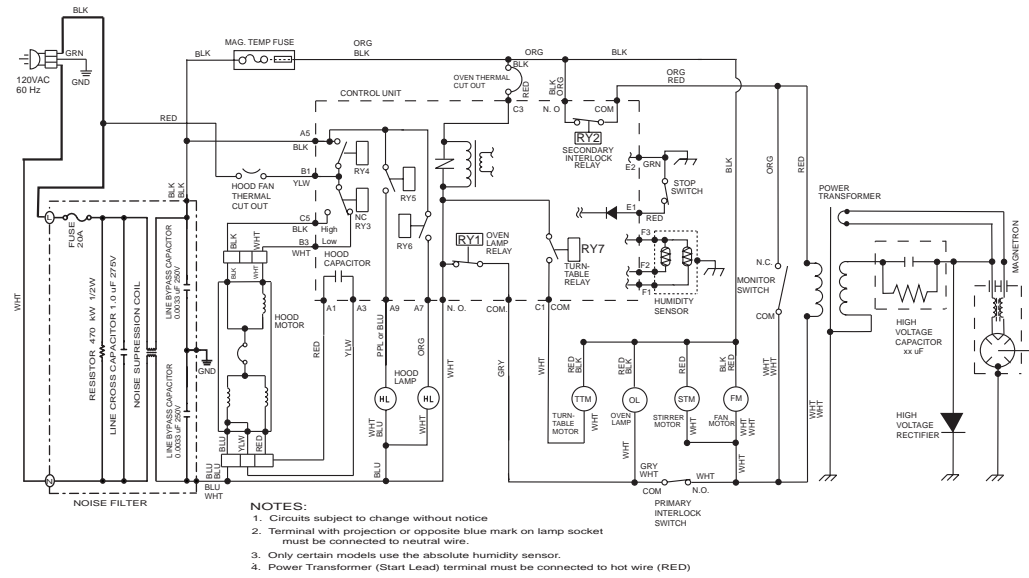
SCHEMATIC
 NOTE: CONDITION OF OVEN
 1. DOOR CLOSED
 2. CLOCK APPEARS ON DISPLAY



- NOTES:**
1. Circuits subject to change without notice
 2. Terminal with projection or opposite blue mark on lamp socket must be connected to neutral wire.
 3. Only certain models use the absolute humidity sensor.
 4. Power Transformer (Start Lead) terminal must be connected to hot wire (RED)

Figure O-1. Oven Schematic-Off Condition

SCHEMATIC
 NOTE: CONDITION OF OVEN
 1. DOOR CLOSED
 2. COOKING TIME PROGRAMMED
 3. VARIABLE COOKING CONTROL "HIGH"
 4. "START" PAD TOUCHED



- NOTES:**
1. Circuits subject to change without notice
 2. Terminal with projection or opposite blue mark on lamp socket must be connected to neutral wire.
 3. Only certain models use the absolute humidity sensor.
 4. Power Transformer (Start Lead) terminal must be connected to hot wire (RED)

Figure O-2. Oven Schematic-Cooking Condition