



*Frigidaire*

Factory Parts Catalog

Product No.	CPLMB209DCC
Market	Canada
Color	stainless steel
Volts	120
Watts	1100
Wiring Diagram	5995553343
Owner's Guide	TINSEB383MRR2
Installation Instructions	316137335

 **Electrolux**

Electrolux Major Appliances  
 North & Latin America  
 P.O. BOX 212378  
 AUGUSTA, GA 30917

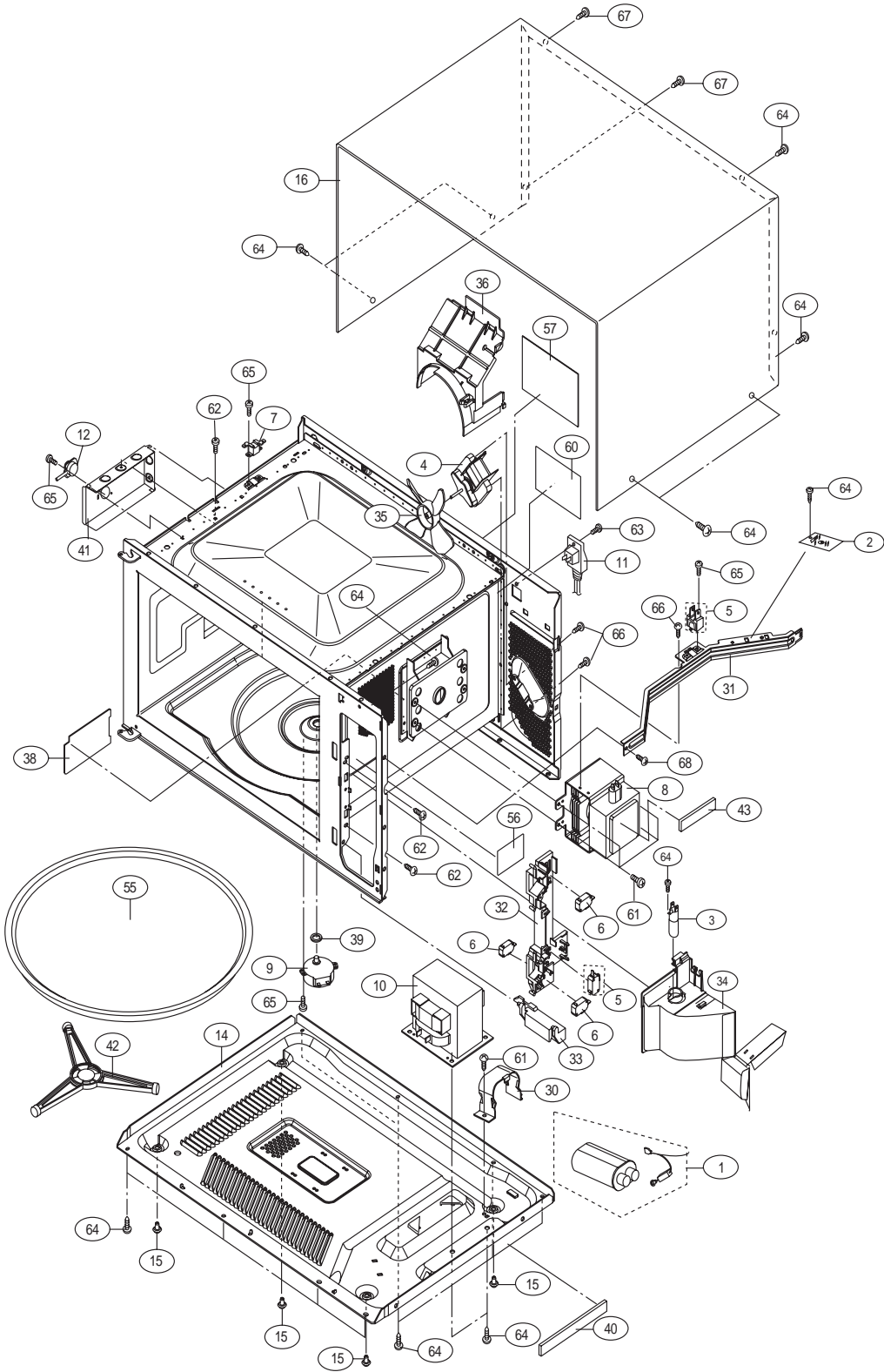
Publication No.  
**5995553343**  
 09/09/30  
 (EN/SERVICE/KC)  
 099

**BUILT-IN MICROWAVE**

Model No.  
**CPLMB209D**

Copyright © 2009 Electrolux Home Products, Inc.  
 All rights reserved.

### OVEN, CABINET

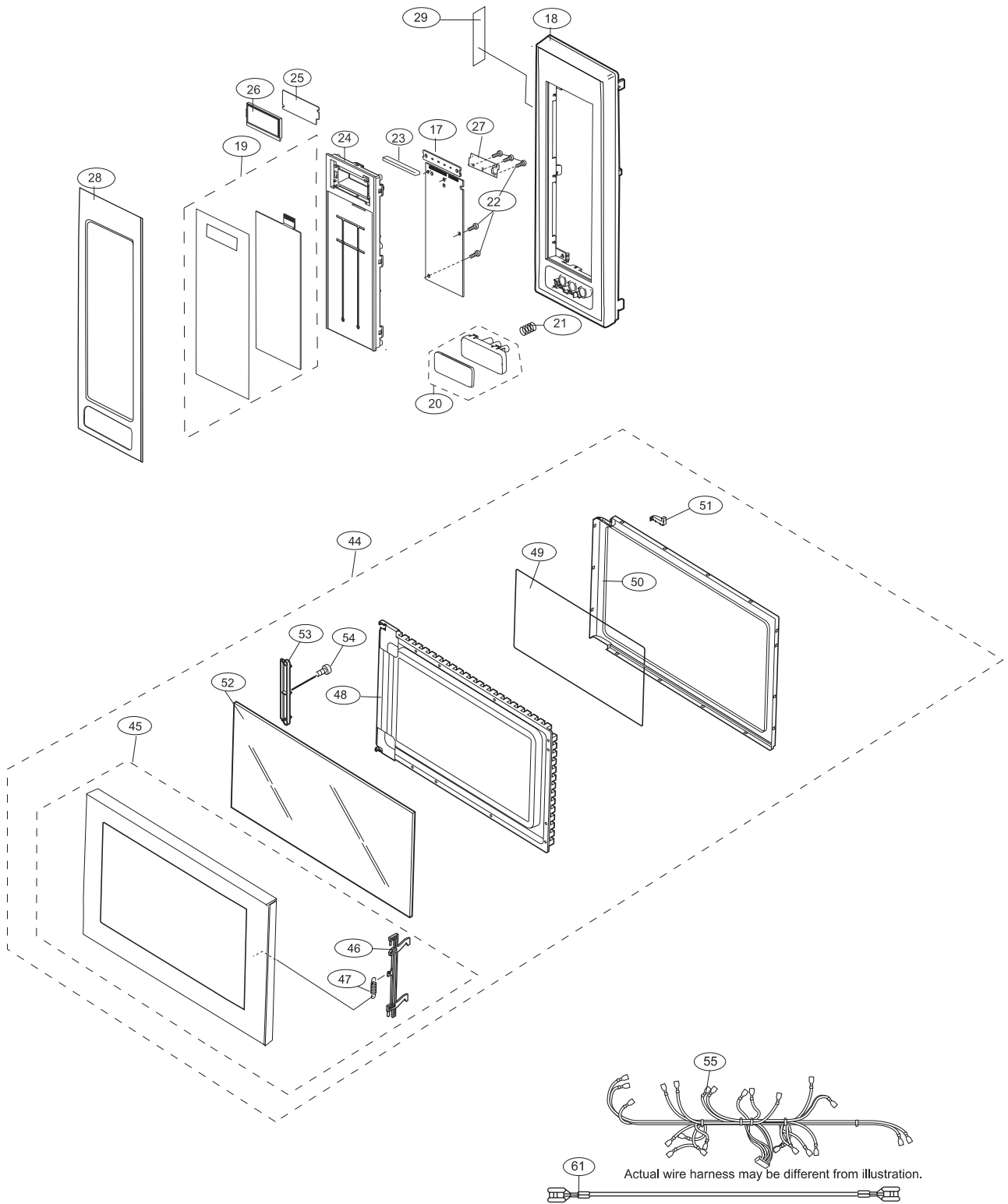


CPLMB209DCC-CAB

**OVEN,CABINET**

POS. NO	PART NO.	DESCRIPTION
1 #	5304468869	Rectifier Assembly, high voltage
2 #	5303322968	Filter, noise, electronic
3 #	5304440779	Lamp Assy, with socket
4 #	5304448490	Motor, cooling fan
5 #	5304440027	Switch Kit, monitor, with CT fuse
6 #	5304440026	Switch, interlock, door sensor
7 #	5304440780	Fuse, cavity temp, 20 Amp, 250 V
8 #	5304448837	Magnetron
9 #	5304448832	Motor, turntable
10 #	5304440876	Transformer, power
11 #	5304440784	Power Cord, electric
12 #	5304440785	Sensor, humidity, cook control
14	5304440814	Base, unit chassis
15	5304440815	Foot, cabinet support
16	5304440816	Cabinet, outer casing, black
30	5304440838	Retainer, capacitor strap
31	5304462313	Bracket, chassis support
32	5304440840	Latch Hook
33	5304440841	Lever, door release
34	5304440842	Duct, magnetron
35 #	5304440843	Fan Blade, cooling fan
36	5304440844	Duct, cooling fan
38	5304462314	Cover, waveguide
39	5304440288	Bushing, motor shaft, turntable
40	5304475539	Cushion, base plate pad
41	5304440847	Duct, AH sensor
42	5304440284	Support Assy, turntable
43	5304441910	Cushion, magnetron pad
55	5304440868	Tray, turntable, glass
56	5304440334	Label, Caution-monitor
57	5304440333	Label, Caution-DHHS
60	5304451533	Label, NHW caution
61	5303319636	Screw
62	5303319641	Screw
63	5304462315	Screw, 4 mm x 12 mm, ground
64	5304451553	Screw, 4 mm x 12 mm
65	5304453725	Screw, 3mm x 8mm
66	5304450253	Screw, 4 mm x 8 mm
67	5304440873	Screw, Torx, tamper proof
68	5304462316	Screw

**CONTROL PANEL, DOOR, MISC.**



CPLMB209D controls

**CONTROL PANEL, DOOR, MISC.**

---

POS. NO	PART NO.	DESCRIPTION
17 #	5304440877	Control Board, printed circuit
18	5304440821	Frame, control panel, black
19 #	5304440824	Touch Control Assy, black
20	5304448833	Push Button, door opener, stainless steel
21	5304440831	Spring, door button
22	5304440282	Screw, control board, 3mm x 10mm
23	5304440832	Connector, rubber, control board
24	5304440833	Panel, touch control
25 #	5304440834	LED Sheet, backlight
26 #	5304440835	LCD, display
27	5304440836	Bracket, PCB support
28	5304448834	Trim, control panel, stainless steel, deco plate
29	5304440346	Label, User Caution
44	5304448835	Door Assy, complete, stainless steel
45	5304448836	Panel, outer door, stainless, w/latch & trim
46	5304440856	Latch, door
47	5304440316	Spring, door latch
48	5304440857	Panel, inner door, black
49	5304440860	Seal, door, film
50	5304440861	Choke Cover, inner door
51	5304442145	Door Stop
52	5304440863	Panel, glass, black, door front
53	5304440862	Door Stop
54	5304440866	Screw
55 #	5304440878	Wiring Harness, main
61 #	5304440870	Wire, high voltage-A

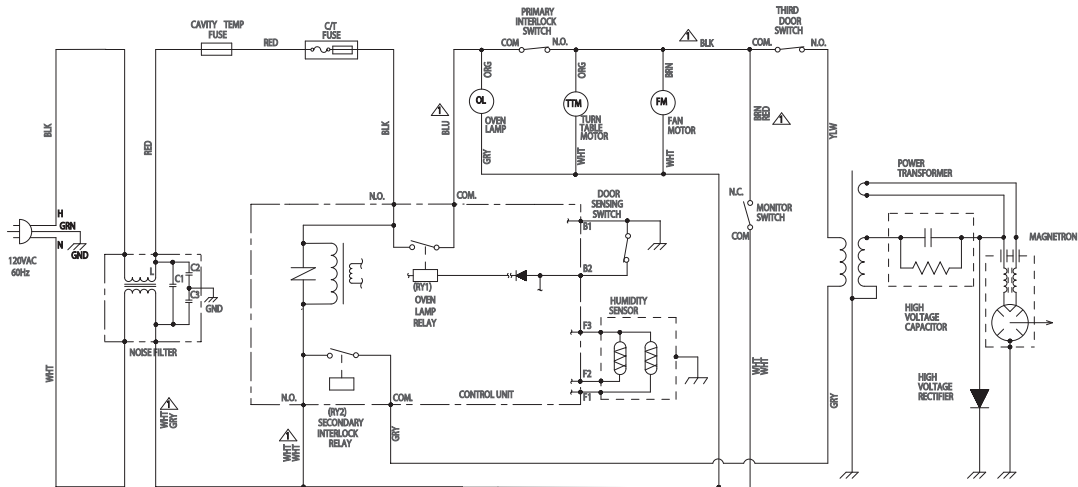
WIRING DIAGRAM

SCHEMATIC

NOTE: CONDITION OF OVEN

1. Door Closed
2. CLOCK APPEARS ON DISPLAY

NOTE: "\*" indicates components with potential above 250V.

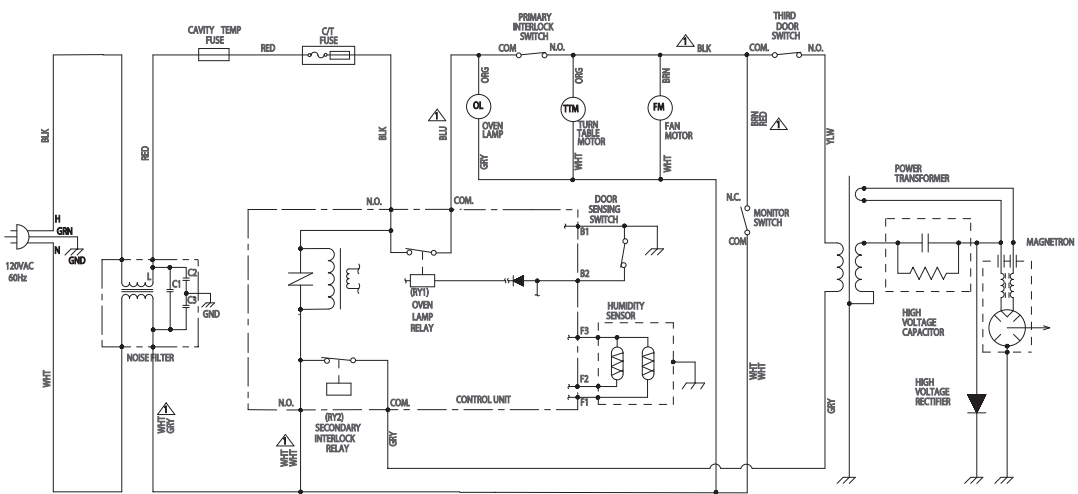


Oven Schematic - Off Condition

SCHEMATIC

NOTE: CONDITION OF OVEN

1. DOOR CLOSED
2. COOKING TIME PROGRAMMED
3. VARIABLE COOKING CONTROL "HIGH"
4. "START" PAD TOUCHED



Oven Schematic - Cooking Condition