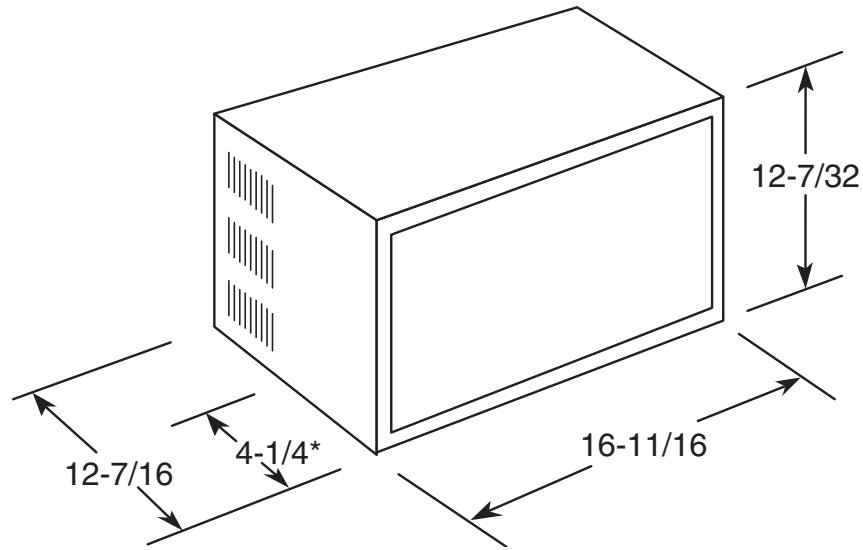




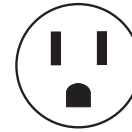
GE Appliances

ASF05LA – GE ENERGY STAR® Mechanical Deluxe 115 Volt Room Air Conditioner

Wall Case Dimensions (in inches)



*Distance from front of case to side louvers (excluding grille).



Parallel
115V
15 Amp

Note: When installing slide-out chassis units in through-the-wall applications, keep louvers free. Do not restrict air flow areas. Fixed chassis units are not suitable for through-the-wall applications.

Wall Outlets: All wiring including installation of receptacle must be made in accordance with local electrical codes and regulations. Electrical outlet should be in reach of line cord.

Note: Aluminum wiring may pose special problems – consult a qualified electrician.

Warranty: One-Year Full Warranty on entire unit. In-home service. Parts and labor included. Five-Year Full Warranty on sealed refrigerating system. In-home service. Parts and labor included. See written warranty for details.



Listed by
Underwriters
Laboratories



Total capacity and E.E.R.
ratings are calculated
based on the Association
of Home Appliance
Manufacturers' standards.



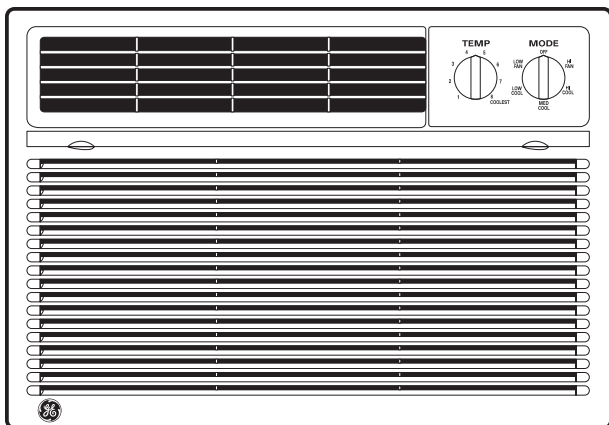
As an ENERGY STAR®
partner, GE has determined
that this product meets the
ENERGY STAR guidelines
for energy efficiency.

For answers to your Monogram®, GE Profile™ or
GE® appliance questions, visit our website at
GEAppliances.com or call
GE Answer Center® service, 800.626.2000.



GE Appliances

ASF05LA – GE ENERGY STAR® Mechanical Deluxe 115 Volt Room Air Conditioner



Features and Benefits

- ENERGY STAR® qualified
- 1.5 Dehumidification (pints/hr)
- 8-Position Thermostat
- 5,400 BTUH (Cooling)
- 3 Cooling/2 Fan Only Speeds
- 10.8 E.E.R.
- 115 Volts
- Model ASF05LA

