

Have questions about your dryer?

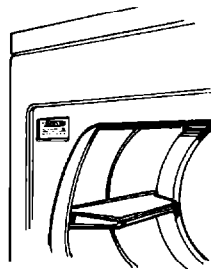
Check your Use and Care Guide for a toll-free number to call, or call your dealer. The dealer is listed in the Yellow Pages of your phone directory under "Appliances — Household — Major — Service and Repair."

When you call, you will need the dryer model number and serial number. Both numbers are on the model/serial rating plate located in the door well behind the dryer door and on front of opening.

Record the numbers here for handy reference:

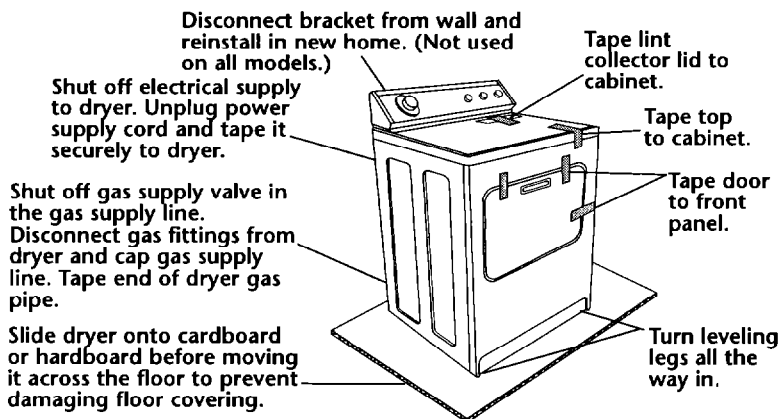
Model No. _____

Serial No. _____

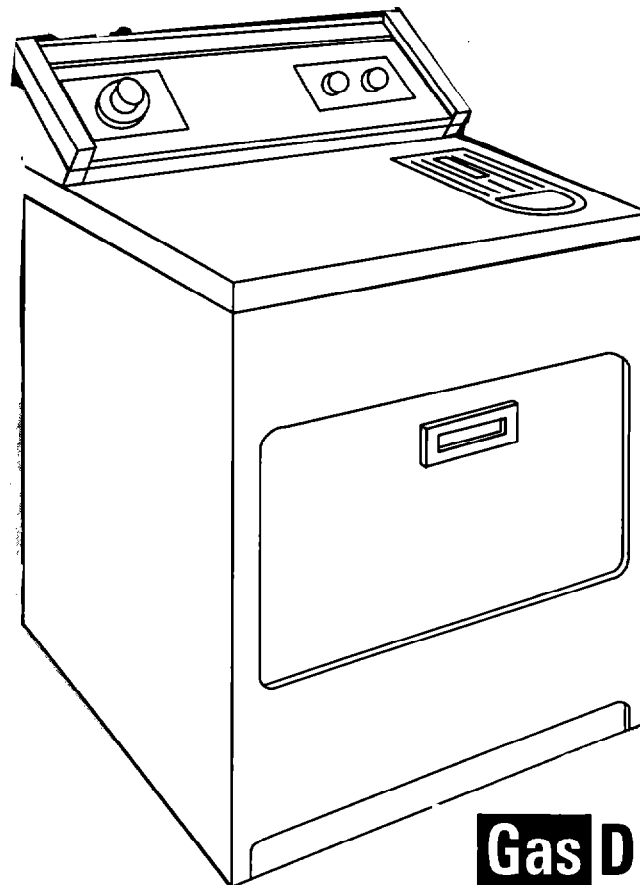


Moving dryer to a new location?

Check with your gas supplier or dealer to confirm that your dryer is equipped with the correct burner for the particular type of gas in your new home. Burner information is specified on the model/serial rating plate.



Installation Instructions



GAS DRYER

Gas Dryer

Set to operate on **NATURAL GAS**.
Part No. 3405341 Rev. A

IMPORTANT:

Read and save these instructions.

Installer: Leave Installation Instructions with homeowner.

Homeowner: Keep Installation Instructions for future reference.

For best performance, install dryer according to Installation Instructions. Failure to complete installation as instructed could void warranty.

Save Installation Instructions for local electrical inspector's use.

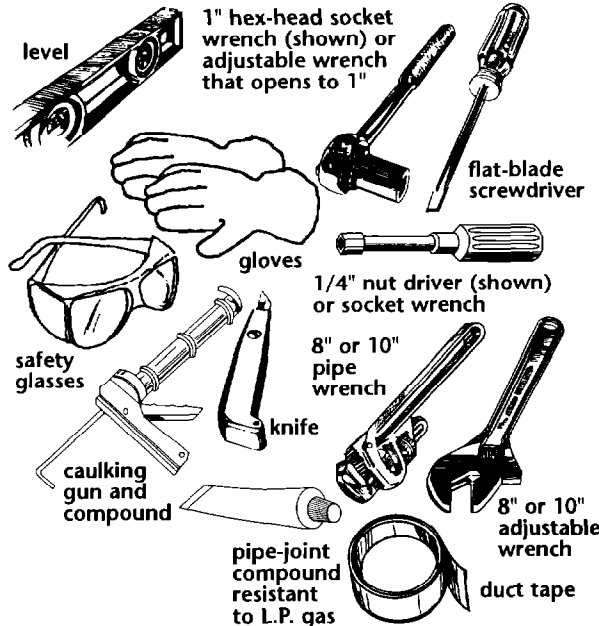
11196



Before you start:

Check that you have everything necessary for correct installation. Proper installation is your responsibility.

Tools needed for installation:

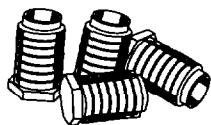


Tools needed to change door swing:

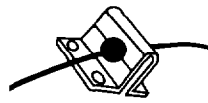
- Phillips screwdriver
- soft cloth or towel

Parts supplied for installation:

Remove parts package from dryer drum. Check that all parts were included.



4 leveling legs



cable and bracket (Not supplied with all dryers.)



4 boots for leveling legs

Parts needed for installation:

Check local codes and with gas supplier, and read electrical, gas and venting requirements before purchasing parts.

Gas

Gas supply line must have:

- 1/8" NPT plugged tapping.
- shutoff valve.

Rigid gas supply line must be:

- 1/2" IPS pipe used with a combination of pipe fittings.
- Optional connection to dryer:
 - New, flexible metal tubing design-certified by the American Gas Association.
 - 3/8" male pipe flare.



Tubing supply line must be:

- Lengths under 20 feet can use 3/8" approved tubing (if codes and gas supplier permit).
- Lengths over 20 feet should use larger tubing.

L.P. Gas Conversion:

Conversion must be made by a qualified technician. See gas valve burner base for gas conversion kit part number.*

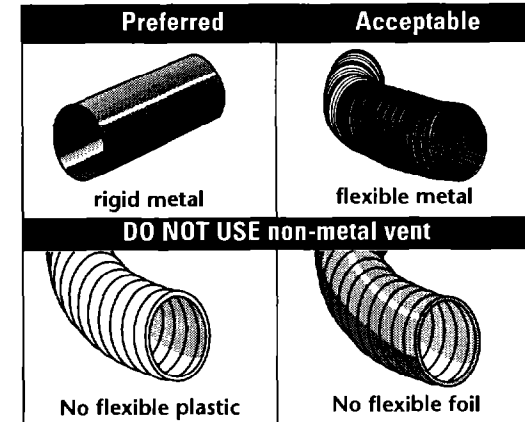
Cable bracket (Not supplied with all dryers.)

Screws to attach cable bracket to your type wall.

Venting

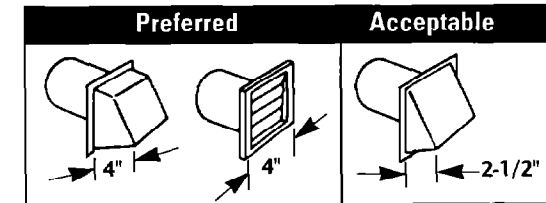
Ventwork

Four-inch metal exhaust vent must be used.



Exhaust hood

Do Not use exhaust hoods with magnetic latches.



Mobile home installations require:

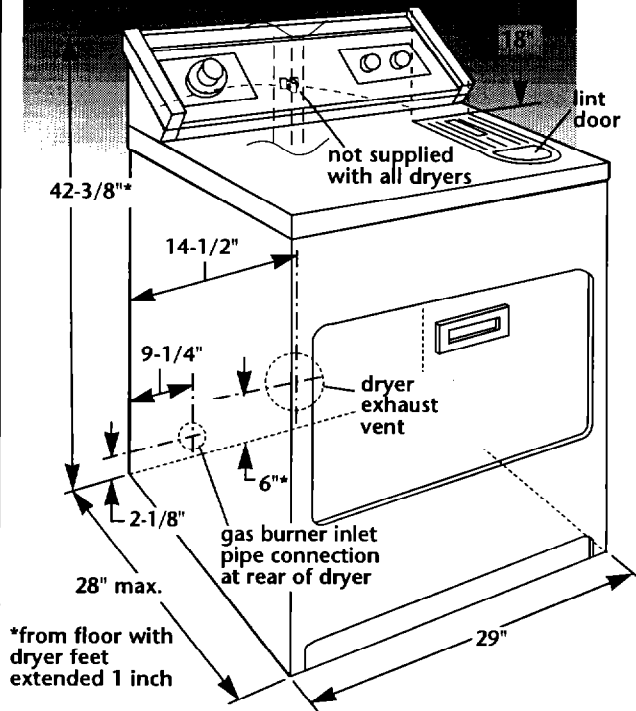
- Mobile Home Installation Kit, Part Number 346764*
- Metal exhaust system hardware*

Floors sloped greater than 1 inch:

Require Extended Dryer Feet Kit, Part No. 279810*

*Available for purchase from your dealer.

Dryer location and dimensions



WARNING: If the information in this manual is not followed exactly, a fire or explosion may result causing property damage, personal injury or death.

- Do Not store or use gasoline, or other flammable vapors and liquids in the vicinity of this or any other appliance.
- WHAT TO DO IF YOU SMELL GAS:**
 - Do Not try to light any appliance.
 - Do Not touch any electrical switch; Do Not use any phone in your building.

- Immediately call your gas supplier from a neighbor's phone. Follow gas supplier's instructions.
- If you cannot reach your gas supplier, call the fire department.
- Installation and service must be done by a qualified installer, service agency or the gas supplier.

WARNING



Explosion Hazard

Keep flammable materials and vapors away from dryer. Place dryer at least 18 inches above the floor for a garage installation. Failure to do so can result in death, explosion, fire, or burns.

For proper drying performance:

The location must provide:

- Protection from weather and water:** Do not store or use dryer where it will be exposed to water and weather.
- Room temperature above 45°F:** If room temperature is below 45°F, automatic cycles may not shut off.

- Level floor:** Maximum slope under entire dryer should not be more than 1 inch. (If slope is greater than 1 inch, install Extended Dryer Feet Kit, Part No. 279810.) Clothes may not tumble properly and automatic sensor cycles may not operate correctly if dryer is not level.

- Sturdy floor** to support dryer weight of 175 pounds.
- Exhaust to outdoors:** Dryer must be exhausted outdoors to prevent exposure to harmful substances in the gas fuels; to prevent large amounts of lint and moisture from accumulating and to maintain drying efficiency.

It is your responsibility to:

- Observe all governing codes and ordinances.
- Check code requirements: Some codes limit or do not permit installation of clothes dryers in garages, closets, mobile homes or sleeping quarters. Contact your local building inspector.
- Comply with the installation specifications and dimensions.
- Consider spacing requirements for companion appliances.
- Properly install dryer and secure dryer using cable bracket.
- Make sure you have everything necessary for proper installation.
- Contact a qualified installer to insure that the electrical and gas installations meet all national and local codes and ordinances.

This installation must also conform with the American National Standard, National Fuel Gas Code ANSI Z223.1 — latest edition**, and all local codes and ordinances.

Copies of the standards listed may be obtained from:
****American Gas Association**
 1515 Wilson Boulevard
 Arlington, Virginia 22209

Recessed area/closet installation

WARNING



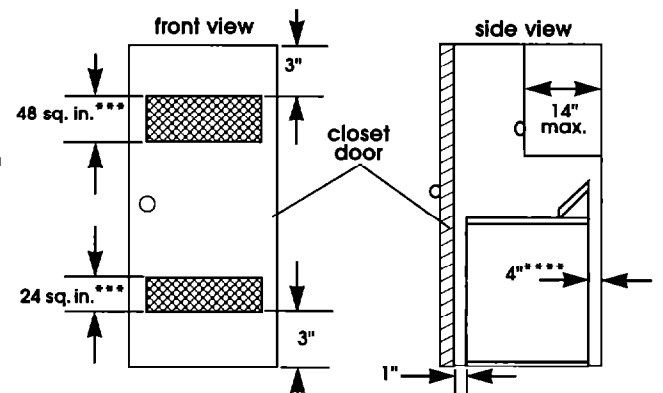
Fire Hazard
 Exhaust dryer outside.
 Failure to do so can result in death or fire.

No other fuel burning appliance may be installed in the same closet or recessed area.

- If codes permit, dryer may be installed in a recessed area or closet using dimensions shown.
- Dimensions are in inches and are the minimum allowable. Detailed space requirements can also be found on the label on the back panel of the dryer.
- Additional spacing should be considered for ease of installation and servicing. Companion appliance spacing should also be considered.

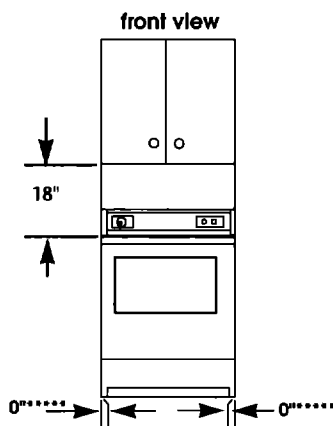
Closet/confined area installation

If a closet door is installed: The minimum unobstructed air openings are required. Louvered doors with equivalent air openings are acceptable.



*** Minimum top and bottom air openings for closet door.
 **** External exhaust elbow requires additional space.

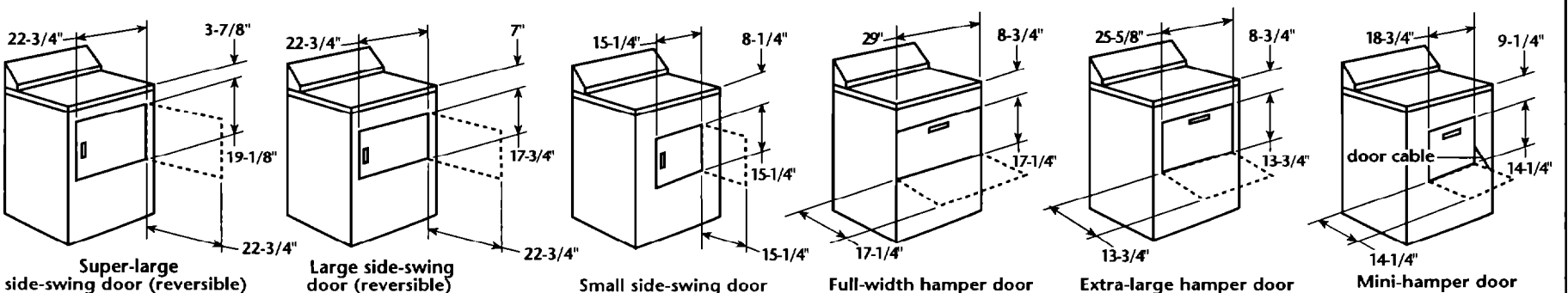
Recessed area installation



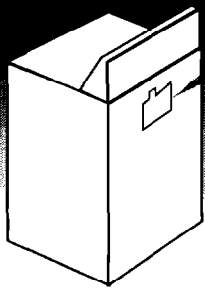
***** Wall, door and floor molding may require additional spacing.

Door clearance

Location must be large enough to fully open dryer door.



Electrical requirements



Important: Observe all governing codes and ordinances.

A 120-volt, 60-Hz, AC-only, 15- or 20-ampere fused electrical supply is required. A time-delay fuse or circuit breaker is recommended.

It is recommended that a separate circuit serving only this appliance be provided.

⚠ WARNING



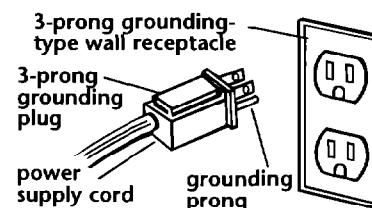
Electrical Shock Hazard
Plug into a grounded 3 prong outlet.
Do not remove ground prong.
Do not use an adapter.
Do not use an extension cord.
Failure to follow these instructions can result in death, fire, or electrical shock.

If codes permit and a separate grounding wire is used, it is recommended that a qualified electrician determine that the grounding path is adequate.

Recommended grounding method

For your personal safety, this appliance must be grounded. This appliance is equipped with a power supply cord having a 3-prong grounding plug. To minimize possible shock hazard, the

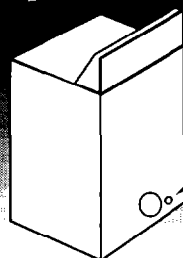
cord must be plugged into a mating 3-prong grounding-type wall receptacle, grounded in accordance with the National Electrical Code, ANSI/NFPA 70 — latest edition*, and all local codes and ordinances. If a mating wall receptacle is not available, it is the personal responsibility and obligation of the customer to have a properly grounded 3-prong wall receptacle installed by a qualified electrician.



Copies of the standards listed above may be obtained from:

* National Fire Protection Association
 Batterymarch Park
 Quincy, Massachusetts 02269

Gas supply requirements



⚠ WARNING

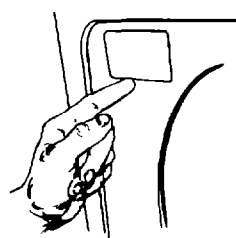


Explosion Hazard
Connect dryer to a regulated gas supply.
Use a new flexible gas supply line.
If L.P. gas is used, have the L.P. gas checked by a qualified person before installing the dryer.
If L.P. gas is used, the L.P. gas supply must not exceed 13" water column.
Failure to do so can result in death, explosion, fire, or burns.

OBSERVE ALL GOVERNING CODES AND ORDINANCES.

Gas requirements:

Check that dryer is equipped with the correct burner for the particular type of gas in the home. Burner information will be found on the model/serial rating plate in door well of the dryer. If this information does not agree with the type of gas available, see your dealer.



Natural Gas:

This dryer is equipped for use with NATURAL GAS. It is design-certified by American Gas Association for L.P. (propane or butane) gases with appropriate conversion.

L.P. Gas:

No attempt shall be made to convert the appliance from the gas specified on the model/serial rating plate for use with a different gas without consulting the serving gas supplier. Conversion must be done by a qualified service technician. Gas conversion kit part numbers are listed on the gas valve burner base.

Burner Input requirements:

Elevations up to 10,000 feet:

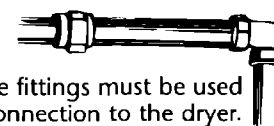
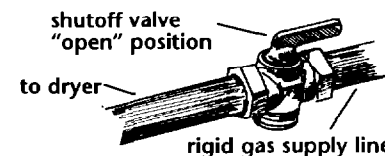
The design of this dryer has been certified by the A.G.A. for use at altitudes up to 10,000 feet above sea level at the B.T.U. rating indicated on the model/serial rating plate. Burner input adjustments are not required when the dryer is operated up to this elevation.

Elevations above 10,000 feet:

When installed above 10,000 feet, a four percent (4%) reduction of the burner B.T.U. rating shown on the model/serial rating plate is required for each 1,000 foot increase in elevation. For assistance installing dryer above 10,000 feet elevation, contact your serving gas supplier.

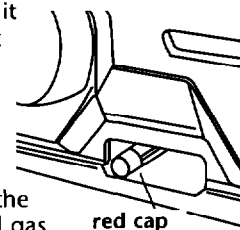
Supply line requirements:

Provide a rigid gas supply line to the dryer location. When rigid pipe is used it should be 1/2 inch IPS. When acceptable to the gas supplier and local codes, 3/8-inch approved tubing may be used for lengths under 20 feet. For lengths over 20 feet, larger tubing should be used. Pipe-joint compounds resistant to the action of L.P. gas must be used.



A combination of pipe fittings must be used to obtain an in-line connection to the dryer.

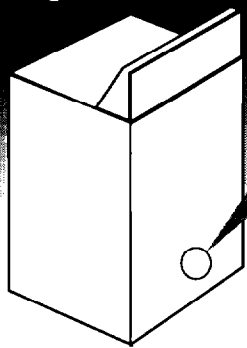
If local codes permit, it is recommended that new flexible metal tubing, design-certified by the American Gas Association, be used for connecting the appliance to the rigid gas supply line. (The gas pipe which extends through the lower rear of the appliance has 3/8-inch male pipe thread.)



A 1/8-inch NPT plugged tapping, accessible for test gauge connection, must be installed immediately upstream of the gas supply connection to the dryer.

The dryer and its individual shutoff valve must be disconnected from the gas supply piping system during any pressure testing of that system.

Exhaust requirements



WARNING



Fire Hazard

Use a heavy metal vent.
Do not use a plastic vent.
Do not use a metal foil vent.
Failure to follow these instructions can result in death or fire.

- Do Not use non-metal flexible vent, metal vent that is smaller than four inches (10.2 cm) in diameter or exhaust hoods with magnetic latches.
- Do Not exhaust dryer into a chimney, furnace, cold air vent, attic or crawl space, or any other vent used for venting.
- Do Not install flexible vent in enclosed walls, ceilings or floors.

WARNING



Health Hazard

The dryer **MUST** be exhausted outside to prevent exposure to harmful substances in gas fuels.
Failure to follow this instruction could result in a health problem.

Important: Observe all governing codes and ordinances.

Exhaust your dryer to the outside. Moisture and lint indoors may cause:

- Lint to gather around the dryer where it can be fuel for a fire.
- Moisture damage to woodwork, furniture, paint, wallpaper, carpet, etc.
- Housecleaning problems and health problems.

Four-inch diameter vent is required for best performance.

Rigid or flexible metal exhaust vent must be used. Do Not use plastic or foil-covered vent.

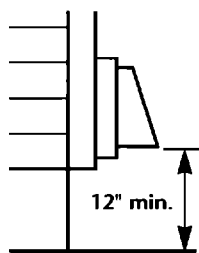
Rigid metal vent is recommended to prevent crushing and kinking.

Flexible metal vent must be fully extended and supported when the dryer is in its final position. Remove excess flexible vent to avoid sagging and kinking that may result in reduced air flow.

An exhaust hood should cap the exhaust vent to prevent exhausted air from returning to the dryer.

Exhaust outlet hood must be at least 12 inches from the ground or any object that may be in the path of the exhaust (such as flowers, rocks or bushes, etc.).

If using an existing exhaust system, clean lint from entire length of system and make sure exhaust hood is not plugged with lint. Replace any vinyl or metallized plastic foil vent with rigid metal or flexible metal vent.



Use duct tape to seal all joints. Do Not use screws to secure vent.

Service check: Back pressure in any exhaust system used must not exceed 0.9 inches in water column measured with an incline manometer at the point that exhaust vent connects to dryer.

Mobile home installation requirements

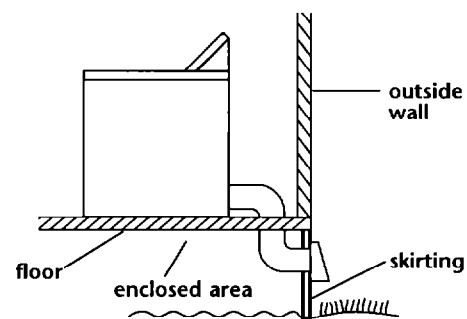
If codes permit, this appliance is suitable for mobile home installations. The installation of the dryer must conform to Manufactured Home Construction and Safety Standard, Title 24 CFR, Part 3280 (formerly the Federal Standard for Mobile Homes Construction and Safety, Title 24, HUD Part 280) or latest edition.

The dryer must be fastened to the floor.

Order Mobile Home Installation Kit, Part No. 346764, from your dealer. Kit includes the necessary fastening hardware and detailed installation instructions. Metal exhaust system is also available through your dealer.

The dryer must be exhausted outside.

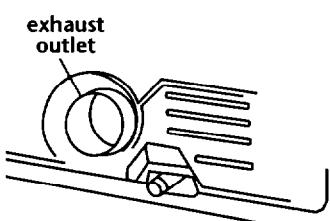
If dryer is exhausted through the floor and the area under the mobile home is enclosed, the exhaust system **must** terminate outside. Extension beyond the enclosure is recommended to prevent lint and moisture buildup under the mobile home.



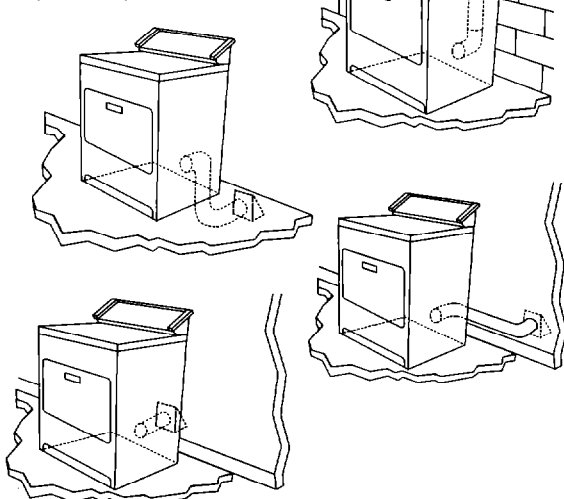
Plan the exhaust vent installation

Route the vent

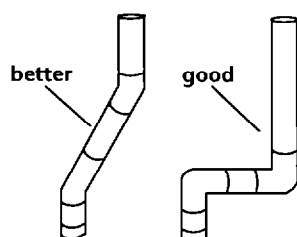
The exhaust outlet is located at the center of the rear of the dryer.



The exhaust vent can be routed up, down, left, right or straight out the back of the dryer. See "Recessed area/closet installation" section, Panel A, for general space requirements.



exhaust air flow



Select the route that will provide the straightest and most direct path outdoors. Plan the installation to use the fewest number of elbows and turns. Avoid making 90° turns.

When using elbows or making turns, allow as much room as possible. Bend vent gradually to avoid kinking.

Determine vent length

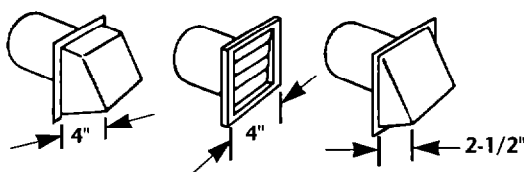
The maximum length of the exhaust system depends upon:

- the type of vent (rigid or flexible metal).
- the number of elbows used.
- if a combination of rigid and flexible metal vent is used.

Do not use vent runs longer than specified in exhaust vent length charts.

Exhaust systems longer than specified will:

- Accumulate lint creating a potential fire hazard.
- Shorten the life of the dryer.
- Reduce performance, resulting in longer drying times and increased energy usage.



The same length of vent can be used with any of the three exhaust hoods shown.

Exhaust vent length charts list lengths by type of vent to be used. Use the chart that matches your vent type.

When you use only one type of metal vent...

- Determine the number of elbows you will need.
- In the column listing the type of metal vent you are using (rigid or flexible), find the maximum length of metal vent on the same line as the number of elbows.

Maximum length of Rigid metal vent OR fully extended Flexible metal vent

① Number of 90° elbows	② 4" dia. rigid metal vent	③ 4" dia. flexible metal vent
0	115 ft	38 ft
1	105 ft	35 ft
2	95 ft	32 ft
3	85 ft	28 ft
4	75 ft	25 ft
5	65 ft	22 ft

The maximum length using a 2" x 6" rectangular vent with 2 elbows and transitioning into a 2-1/2" exhaust hood is 8 feet.

When you use a combination of rigid and flexible metal vent...

- Determine the number of elbows you will need.
- Determine the length of Flexible metal vent you will use. Find the column that has the nearest number of feet to what you will be using.
- In the shaded area of that column find the maximum length of Rigid metal vent on the same line as the number of elbows.

①	②	Maximum length of fully extended Flexible and Rigid metal vent						③ Length of Rigid metal vent
		Length of Flexible metal vent						
	0'	1-5'	6-10'	11-15'	16-20'	21-25'		
0	115 ft	100 ft	85 ft	70 ft	50 ft	40 ft		
1	105 ft	90 ft	75 ft	60 ft	45 ft	30 ft		
2	95 ft	80 ft	65 ft	50 ft	35 ft	20 ft		
3	85 ft	70 ft	55 ft	40 ft	25 ft	10 ft		
4	75 ft	60 ft	45 ft	30 ft	15 ft	0 ft		
5	65 ft	50 ft	35 ft	20 ft	5 ft	0 ft		

Example: ① You need to use 2 elbows.

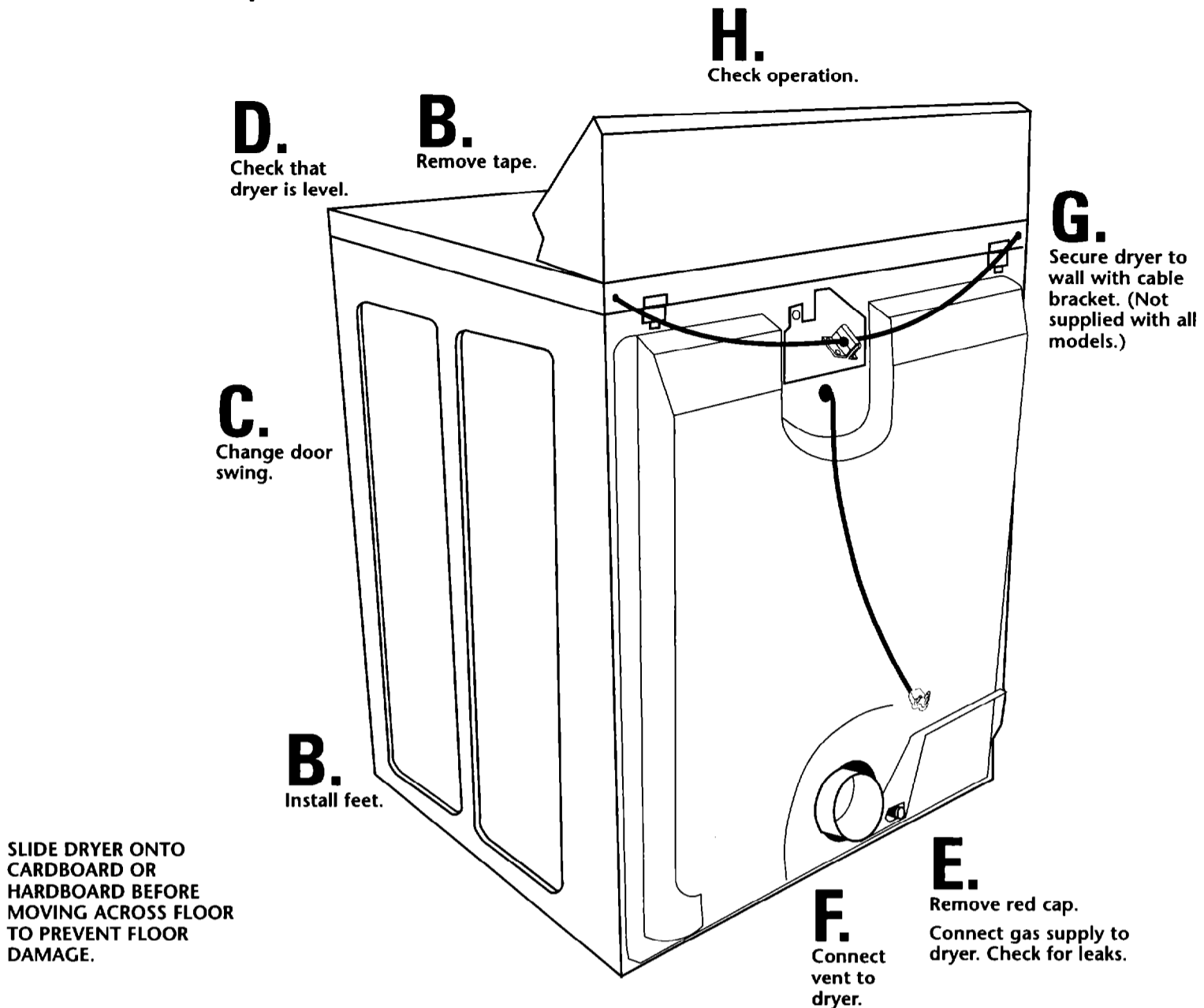
② You will use 5 feet **Flexible** metal vent.

③ The maximum length of **Rigid** metal vent you can use is 80 feet.

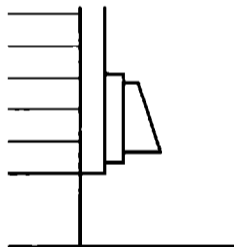


Now start installation (If installing washer and dryer, install dryer first.)

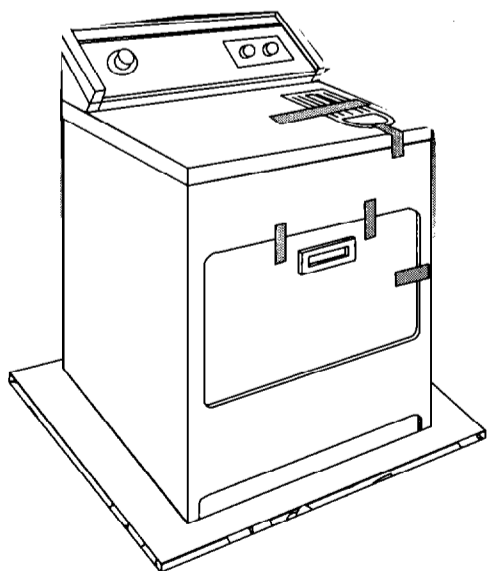
See installation steps for details.

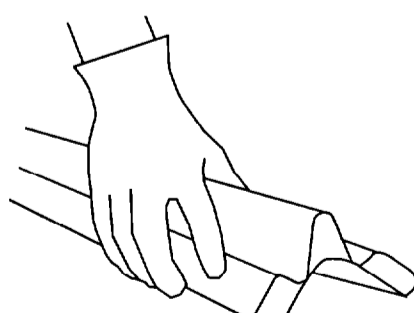
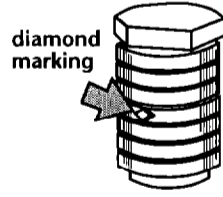
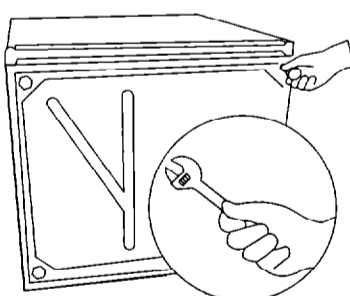
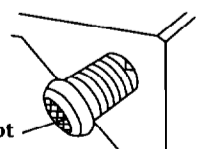


A. Install ventwork

1. Put on safety glasses and gloves.
 2. Install exhaust hood. Use caulking compound to seal exterior wall opening around exhaust hood.
 3. Connect exhaust vent to hood. (Exhaust vent MUST fit inside hood.) Secure vent to hood with duct tape.
 4. Run exhaust vent to dryer location. Use the straightest path possible. Avoid 90° turns. Use duct tape to seal all joints.
- 

B. Prepare dryer



1. Remove tape from dryer cabinet. Do Not remove tape from lint collector lid. Open dryer door and remove tape from dryer drum. (Not all dryer drums are taped.) Remove drying rack, if included. Turn dryer drum counterclockwise to make sure all tape was removed. Wipe drum with damp cloth to remove any dust.
 2. Take two cardboard corners from dryer carton and place them on floor in back of dryer. Firmly grasp body of dryer and gently lay it on its back on the cardboard corners.
 3. Start to screw legs into holes by hand. Use an adjustable wrench or 1" hex-head socket wrench to finish turning legs until you reach the ridge with the diamond marking.
 4. Slide a boot over the bottom of each of the four legs.
 5. Stand dryer up on cardboard or hardboard. Remove tape from lint collector lid.
- 
- 
- 
- 

C. Change door swing

Available on Super-wide side-swing and Large side-swing door models only.
If not reversing door swing, skip ahead to "Level dryer" steps.

Be careful not to scratch or chip paint.

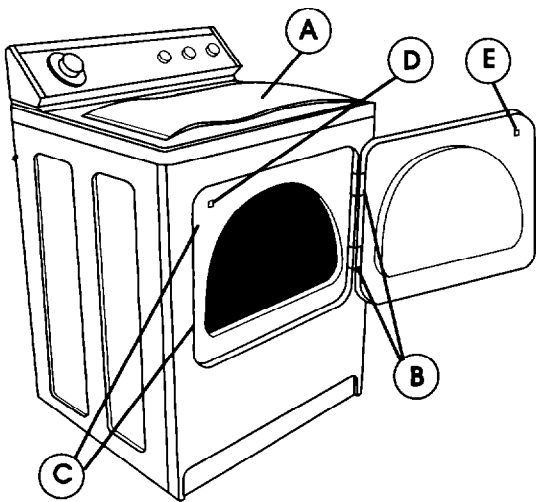
1. Place a large towel or soft cloth (A) on top of dryer.

2. Open dryer door. Remove bottom screws from cabinet side of hinges (B). Loosen (do not remove) top screws from cabinet side of hinges.

3. Lift door until top screws in cabinet are in large part of hinge slot. Pull door forward off screws. Set door (handle side up) on top of dryer. Remove top screws from cabinet.

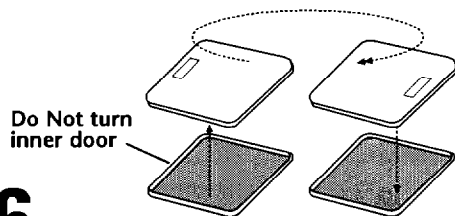
Complete door swing change following the instructions for your type door.

Super-wide side swing door

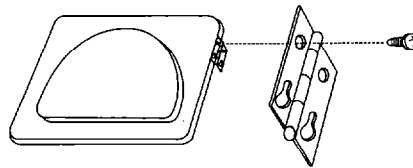


4. Remove screws attaching hinges to door.

5. Remove screws at top, bottom and side of door. Holding door over towel on dryer, grasp sides of outer door and carefully lift to separate it from inner door. Do NOT pry apart with putty knife. Do NOT pull on door seal or plastic door catches.

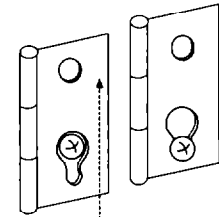


6. Turn and reattach outer door panel to inner door panel so handle is on the side where hinges were just removed. Be careful to keep cardboard spacer centered between doors.



7. Attach door hinge to door so large part of hinge slot is at bottom of hinge.

8. Carefully remove 4 hinge hole plugs (C) on left side of cabinet. Insert plugs in hinge holes on right side of cabinet.

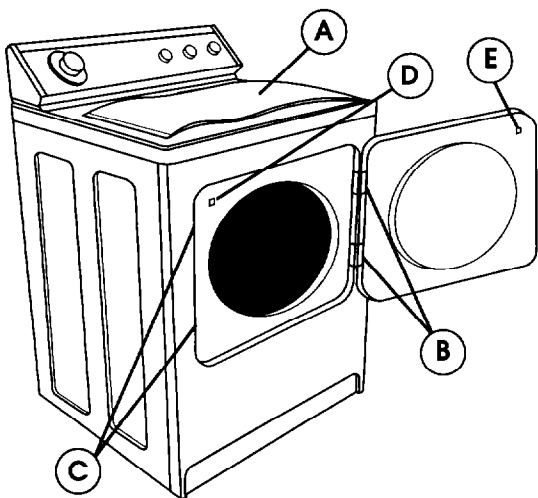


9. Insert screws in bottom holes on left side of cabinet. Tighten screws halfway. Position door so large end of door hinge slot is over screws. Slide door up so screws are in bottom of slots. Tighten screws. Insert and tighten top screws in hinges.

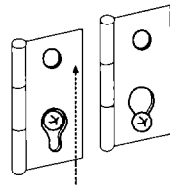
10. Remove door strike (D) from cabinet. Remove door strike plug. Insert door strike in new hole and secure with screw. Insert door strike plug in original door strike hole and secure with screw.

11. Close door and check that door strike aligns with door catch (E). If door does not close completely, slide door catch left or right within slot until strike snaps into catch.

Large side swing door



4. Carefully remove 4 hinge hole plugs (C) on left side of cabinet. Insert plugs in hinge holes on right side of cabinet.



5. Insert screws in bottom holes on left side of cabinet. Tighten screws halfway. Position door so large end of door hinge slot is over screws. Slide door up so screws are in bottom of slots. Tighten screws. Insert and tighten top screws in hinges.

6. Remove door strike (D) from cabinet. Remove door strike plug. Insert door strike in new hole and secure with screw. Insert door strike plug in original door strike hole and secure with screw.

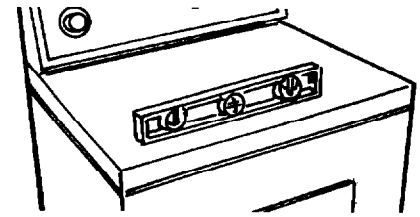
7. Close door and check that door strike aligns with door catch (E). If door does not close completely, slide door catch left or right within slot until strike snaps into catch.

D. Level dryer

Dryer must be level to reduce noise and assure proper performance.

Slide dryer onto cardboard or hardboard before moving across floor to prevent floor damage.

1. Move dryer close to its permanent location. Leave enough room to connect exhaust vent and gas supply. Remove cardboard or hardboard from under dryer.



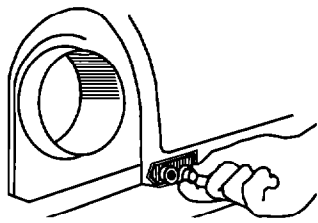
2. Check levelness of dryer by placing a level on top of dryer, first side to side, then front to back. If dryer is not level, adjust dryer legs up or down.

If legs are not long enough to level dryer, order Extended Dryer Feet Kit, Part No. 279810 (sold two legs per kit), from your dealer.

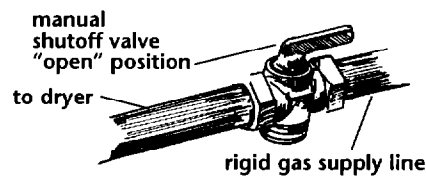
If boots are removed to level the legs, be sure to replace the boots.

E. Make gas connection

1. Remove the red cap from the gas pipe. Move the dryer into its final position.



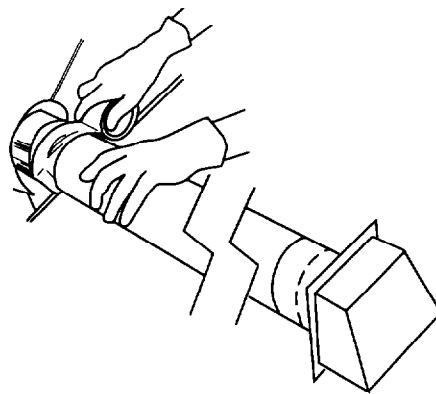
2. Connect gas supply to dryer. Use pipe-joint compound resistant to the action of L.P. gas for gas connections. If flexible metal tubing is used, be certain there are no kinks.



3. Turn the shutoff valve in the gas supply line to the "open" position.

4. Use a brush and liquid detergent to test all external gas connections for leaks. Bubbles around connections will indicate a leak. If a leak appears, shut off gas valve controls and tighten connections. Then check connections again.

F. Exhaust dryer



1. Connect exhaust vent to exhaust outlet in dryer. The dryer exhaust vent **must** fit over the dryer exhaust outlet and inside the exhaust hood vent.

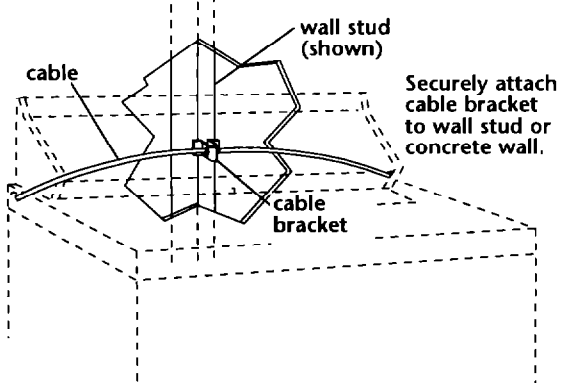
Use duct tape to seal all joints and to secure exhaust vent to dryer exhaust outlet.

2. If your dryer does not have a cable bracket, move dryer into final position. Go to "Check operation" steps.

If a cable and bracket are attached to the back of your dryer, go to "Secure dryer" steps.

G. Secure dryer

If a cable and bracket are attached to back of your dryer.



⚠ WARNING



Fire Hazard

The dryer must be secured by the cable assembly to a wall stud or concrete wall to prevent the dryer from pulling away from the gas supply line.

Both ends of the cable must remain attached to the dryer.

Do Not cut the cable line.

If the dryer is moved to a new location, the bracket must be disconnected from the wall and reinstalled in the new location.

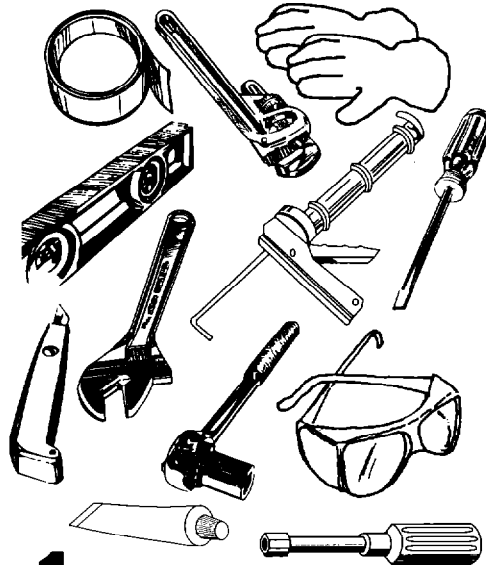
Failure to do so may result in a fire or explosion.

1. Untape cable bracket from back of dryer.

2. In the area directly behind the dryer, attach the cable bracket securely to the wall stud or concrete wall using correct fasteners for your type of wall construction. Screws to attach cable bracket have not been provided because of the variation of wall surfaces.

3. Move dryer into final position.

H. Check operation



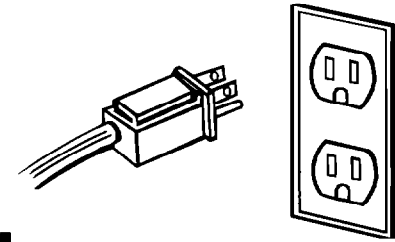
1.

Check that you:

- ✓ did not skip any steps.
- ✓ installed all parts.
- ✓ properly installed dryer legs and boots.
- ✓ leveled dryer.
- ✓ have all the tools you started with.

2.

Plug power supply cord into grounded outlet. Turn power supply on.



3.

Read the Use and Care Guide to fully understand your new dryer. Select a full heat cycle (not the air cycle) and start dryer. After five minutes, open dryer door. You should feel heat inside dryer.

If the burner did not ignite and you do not feel heat inside the dryer, shut the dryer off for 5 minutes. Then check that:

- ✓ controls are set in a running or "On" position.
- ✓ start button has been pushed firmly.
- ✓ gas supply line shutoff valve is open.

Repeat 5-minute test. If dryer still does not operate properly, check the following:

- ✓ electrical supply is connected.
- ✓ house fuse is intact and tight; or circuit breaker has not tripped.
- ✓ dryer door is closed.

If dryer makes an unusual noise, check that dryer is level.