

KitchenAid®

COMMERCIAL STYLE GAS COOKTOP

Use & Care Guide

For questions about features, operation/performance, parts accessories or service, call: **1-800-422-1230**
In Canada, call for assistance **1-800-461-5681**, for installation and service, call: **1-800-807-6777** or visit our website at...
www.kitchenaid.com or www.KitchenAid.ca

TABLE DE CUISSON À GAZ, STYLE COMMERCIAL

Guide d'utilisation et d'entretien

Au Canada, pour assistance composez le **1-800-461-5681**, pour installation ou service composez le **1-800-807-6777** ou visitez notre site web à...
www.KitchenAid.ca

Table of Contents/Table des matières..... 2



TABLE OF CONTENTS

COOKTOP SAFETY	3
PARTS AND FEATURES	5
COOKTOP USE	8
Cooktop Controls	8
Surface Burners	9
Simmer Plate	9
GRILLE	10
GRIDDLE	12
Home Canning	13
Cookware	13
COOKTOP CARE	13
General Cleaning	13
TILE BEZEL FEATURE	15
TROUBLESHOOTING	16
ASSISTANCE OR SERVICE	17
WARRANTY	18

TABLE DES MATIÈRES

SÉCURITÉ DE LA TABLE DE CUISSON	19
PIÈCES ET CARACTÉRISTIQUES	21
UTILISATION DE LA TABLE DE CUISSON	24
Commandes de la table de cuisson	24
Brûleurs de surface	25
Plaque de mijotage.....	25
GRIL	26
PLAQUE À FRIRE	28
Préparation de conserves à la maison.....	29
Ustensiles de cuisson	29
ENTRETIEN DE LA TABLE DE CUISSON	30
Nettoyage général	30
CARACTÉRISTIQUE DE L'ENCADREMENT À CARREAUX ..	32
DÉPANNAGE	33
ASSISTANCE OU SERVICE	34
GARANTIE	35

COOKTOP SAFETY

Your safety and the safety of others are very important.

We have provided many important safety messages in this manual and on your appliance. Always read and obey all safety messages.



This is the safety alert symbol.

This symbol alerts you to potential hazards that can kill or hurt you and others.

All safety messages will follow the safety alert symbol and either the word "DANGER" or "WARNING." These words mean:

! DANGER

You can be killed or seriously injured if you don't immediately follow instructions.

! WARNING

You can be killed or seriously injured if you don't follow instructions.

All safety messages will tell you what the potential hazard is, tell you how to reduce the chance of injury, and tell you what can happen if the instructions are not followed.

WARNING: If the information in this manual is not followed exactly, a fire or explosion may result causing property damage, personal injury or death.

- Do not store or use gasoline or other flammable vapors and liquids in the vicinity of this or any other appliance.
- **WHAT TO DO IF YOU SMELL GAS:**
 - Do not try to light any appliance.
 - Do not touch any electrical switch.
 - Do not use any phone in your building.
 - Immediately call your gas supplier from a neighbor's phone. Follow the gas supplier's instructions.
 - If you cannot reach your gas supplier, call the fire department.
- Installation and service must be performed by a qualified installer, service agency or the gas supplier.

IMPORTANT SAFETY INSTRUCTIONS

WARNING: To reduce the risk of fire, electrical shock, injury to persons, or damage when using the cooktop, follow basic precautions, including the following:

- **CAUTION:** Do not store items of interest to children in cabinets above the cooktop – children climbing on the cooktop to reach items could be seriously injured.
- Proper Installation – The cooktop, when installed, must be electrically grounded in accordance with local codes or, in the absence of local codes, with the *National Electrical Code, ANSI/NFPA 70* or the *Canadian Electrical Code, Part 1*. Be sure the cooktop is properly installed and grounded by a qualified technician.
- This cooktop is equipped with a three-prong grounding plug for your protection against shock hazard and should be plugged directly into a properly grounded receptacle. Do not cut or remove the grounding prong from this plug.
- Disconnect the electrical supply before servicing the cooktop.
- Never Use the Cooktop for Warming or Heating the Room.
- Injuries may result from the misuse of the cooktop such as stepping, leaning, or sitting on the top surface.
- Maintenance – Keep cooktop area clear and free from combustible materials, gasoline, and other flammable vapors and liquids.
- Storage on the cooktop – Flammable materials should not be stored on or near surface units.
- Top burner flame size should be adjusted so it does not extend beyond the edge of the cooking utensil.

SAVE THESE INSTRUCTIONS

The California Safe Drinking Water and Toxic Enforcement Act requires the Governor of California to publish a list of substances known to the State of California to cause cancer, birth defects, or other reproductive harm, and requires businesses to warn of potential exposure to such substances.

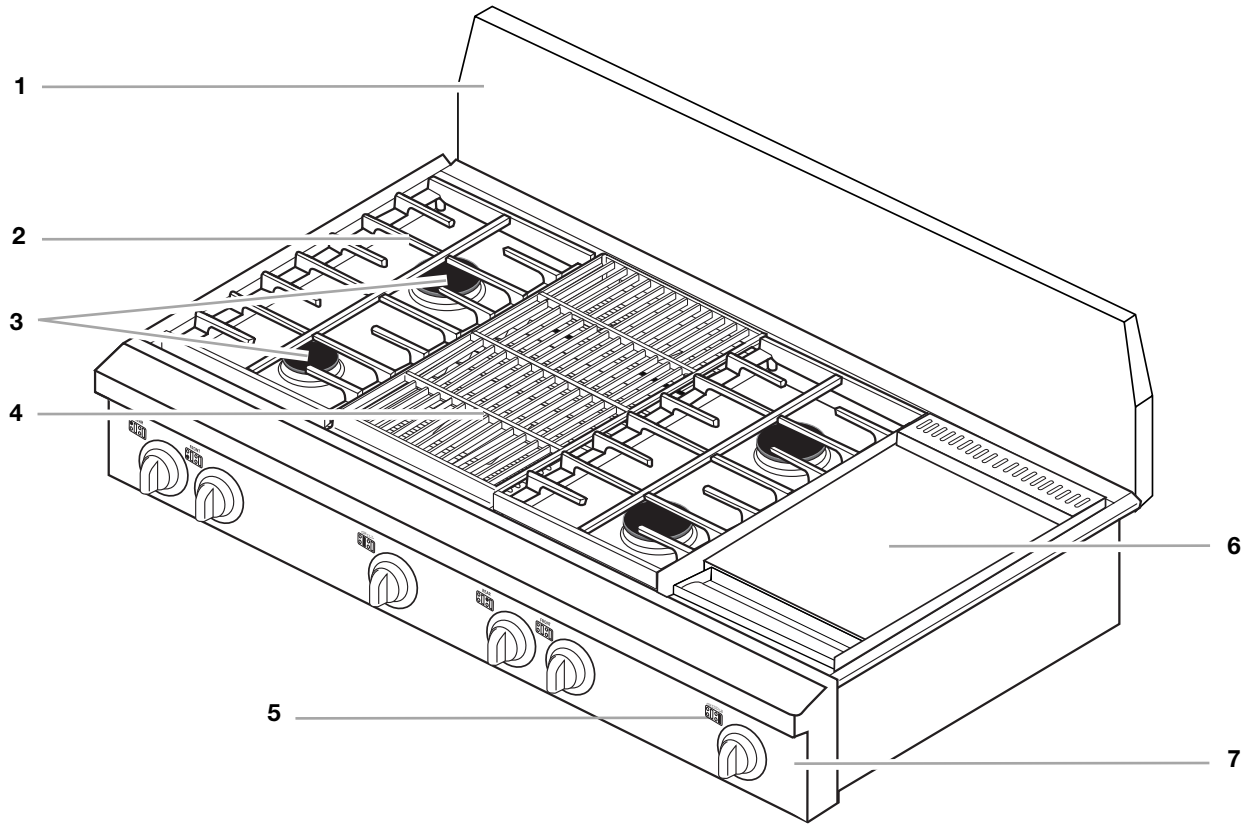
WARNING: This product contains a chemical known to the State of California to cause cancer, birth defects, or other reproductive harm.

This appliance can cause low-level exposure to some of the substances listed, including benzene, formaldehyde, carbon monoxide, toluene, and soot.

PARTS AND FEATURES

This manual covers several different models. The cooktop you have purchased may have some or all of the items listed. The locations and appearances of the features shown here may not match those of your model.

48" (121.92 cm) Cooktop

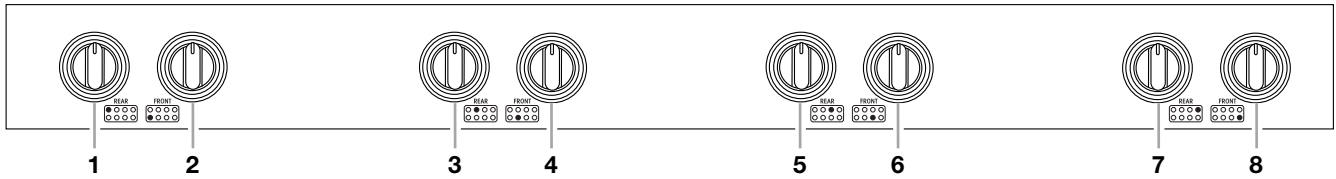


- 1. Stainless Steel Backguard
(Island Trim not shown)
- 2. Surface Burner Grate

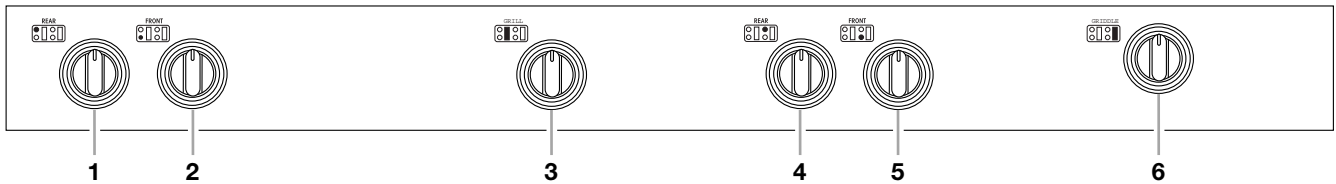
- 3. Surface Burner
- 4. Grille (on some models)
- 5. Surface Burner Marker

- 6. Griddle
(on some models)
- 7. Control Panel

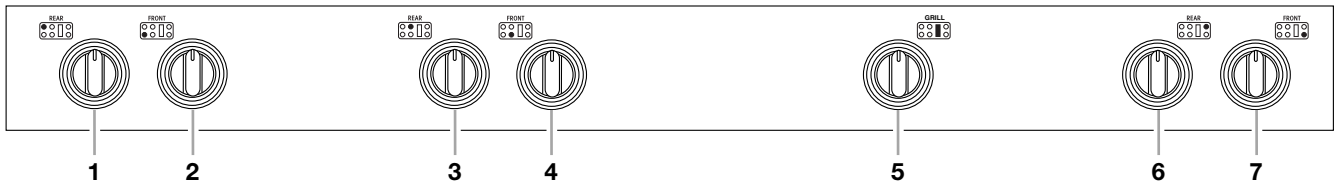
48" Control Panels



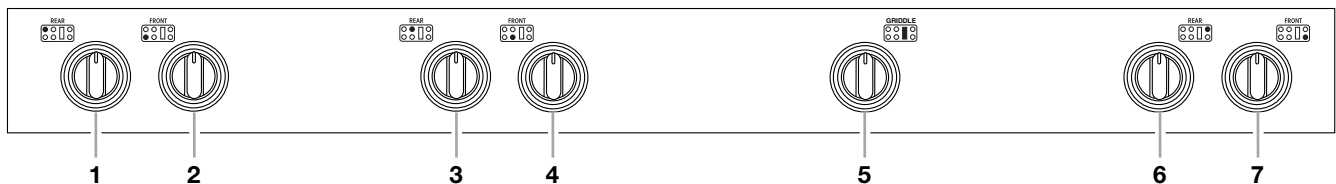
- | | | |
|--|---|--|
| 1. Left Rear Control Knob (15K BTU) | 4. Center Left Front Control Knob (15K BTU) | 6. Center Right Front Control Knob (15K BTU) |
| 2. Left Front Control Knob (6K BTU) | 5. Center Right Rear Control Knob (15K BTU) | 7. Right Rear Control Knob (15K BTU) |
| 3. Center Left Rear Control Knob (15K BTU) | | 8. Right Front Control Knob (6K BTU) |



- | | | |
|-------------------------------------|---|--|
| 1. Left Rear Control Knob (15K BTU) | 3. Grille Control Knob (18K BTU) | 5. Center Right Front Control Knob (15K BTU) |
| 2. Left Front Control Knob (6K BTU) | 4. Center Right Rear Control Knob (15K BTU) | 6. Griddle Control Knob (15K BTU) |

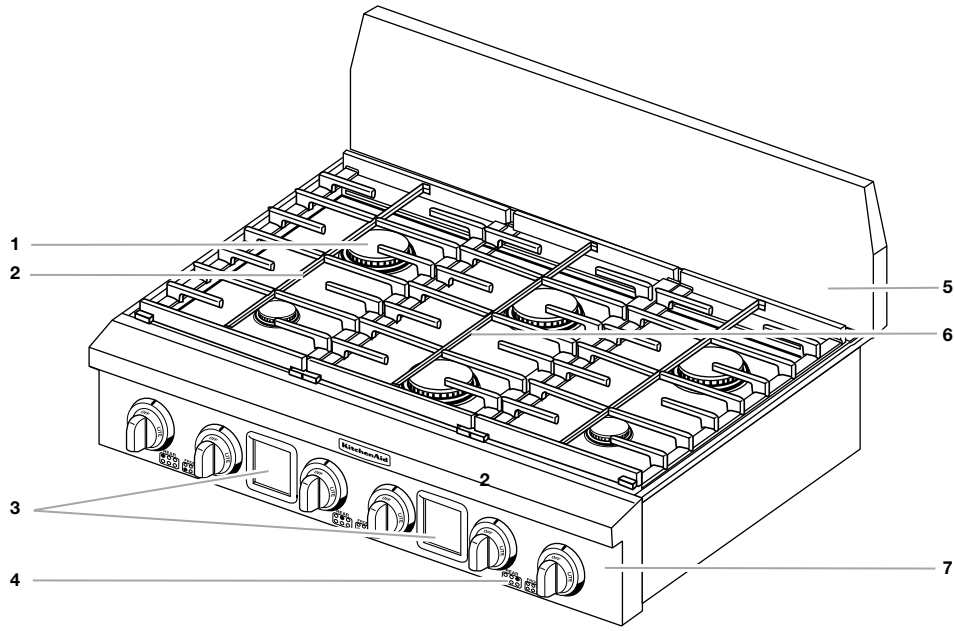


- | | | |
|-------------------------------------|---|--------------------------------------|
| 1. Left Rear Control Knob (15K BTU) | 3. Center Left Rear Control Knob (15K BTU) | 5. Grille Control Knob (18K BTU) |
| 2. Left Front Control Knob (6K BTU) | 4. Center Left Front Control Knob (15K BTU) | 6. Right Rear Control Knob (15K BTU) |
| | | 7. Right Front Control Knob (6K BTU) |



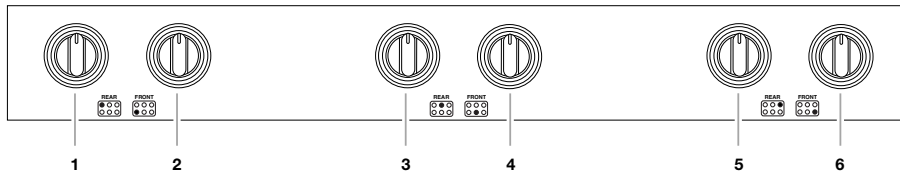
- | | | |
|-------------------------------------|---|--------------------------------------|
| 1. Left Rear Control Knob (15K BTU) | 3. Center Left Rear Control Knob (15K BTU) | 5. Griddle Control Knob (15K BTU) |
| 2. Left Front Control Knob (6K BTU) | 4. Center Left Front Control Knob (15K BTU) | 6. Right Rear Control Knob (15K BTU) |
| | | 7. Right Front Control Knob (6K BTU) |

36" (91.44 cm) Cooktop

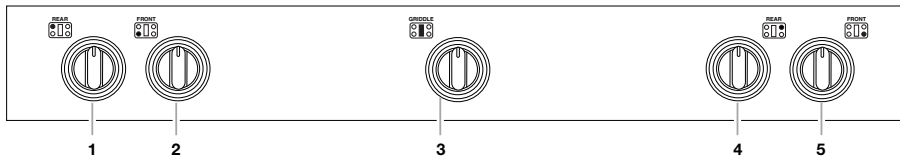


- 1. Surface Burner
- 2. Surface Burner Grate
- 3. Tile Bezel Assembly (on some models)
- 4. Surface Burner Marker
- 5. Stainless Steel Backguard (Island Trim not shown)
- 6. Grille or Griddle (on some models)
- 7. Control Panel

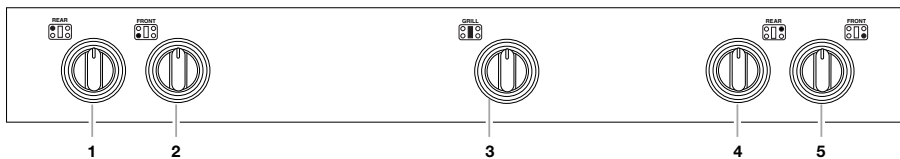
36" (91.44 cm) Control Panels



- 1. Left Rear Control Knob (15K BTU)
- 2. Left Front Control Knob (6K BTU)
- 3. Center Rear Control Knob (15K BTU)
- 4. Center Front Control Knob (15K BTU)
- 5. Right Rear Control Knob (15K BTU)
- 6. Right Front Control Knob (6K BTU)



- 1. Left Rear Control Knob (15K BTU)
- 2. Left Front Control Knob (6K BTU)
- 3. Griddle Control Knob (15K BTU)
- 4. Right Rear Control Knob (15K BTU)
- 5. Right Front Control Knob (6K BTU)



- 1. Left Rear Control Knob (15K BTU)
- 2. Left Front Control Knob (6K BTU)
- 3. Grille Control Knob (18K BTU)
- 4. Right Rear Control Knob (15K BTU)
- 5. Right Front Control Knob (6K BTU)

COOKTOP USE

Cooktop Controls

⚠ WARNING



Fire Hazard

Do not let the burner flame extend beyond the edge of the pan.

Turn off all controls when not cooking.

Failure to follow these instructions can result in death or fire.

IMPORTANT: Your cooktop is factory-set for use with Natural Gas. If you wish to use L.P. Gas, an L.P. Gas Conversion Kit is included with your new range. See the instructions included with the L.P. Gas Conversion Kit for details on making this conversion. Electric igniters automatically light the surface burners when control knobs are turned to LITE.

The large burners (15,000 BTU [British Thermal Units]) provide the highest heat setting, and are ideal for cooking large quantities of food or liquid, using large pots and pans. The small burners (6,000 BTU) allow more accurate simmer control at the lowest setting, and are ideal for cooking smaller quantities of food, using smaller pots and pans.

Before setting a control knob, place filled cookware on the grate. Do not operate a burner while using empty cookware or without any cookware on the grate.

NOTE: Visually check that the burner has lit. If the burner does not ignite, listen for the clicking sound. If you do not hear the igniter click, TURN THE BURNER OFF. Check for a tripped circuit breaker or blown fuse.

Check that the control knob is pressed completely down on the valve shaft. If the spark igniter still does not operate, call a trained repair specialist.

Proper grounding and polarity are necessary for correct operation of the electric ignition system. If the wall receptacle does not provide correct polarity, the igniter will become grounded and occasionally click, even after the burner has ignited. Contact a trained repair specialist to check the wall receptacle to see if it is wired with the correct polarity.

To Set:

1. Push in and turn knob counterclockwise to LITE.

All surface burners will click. Only the burner with the control knob turned to LITE will produce a flame.

2. Turn knob anywhere between HI and LO. Use the following chart as a guide when setting heat levels.

SETTING	RECOMMENDED USE
LITE	■ Light the burner.
HI	■ Start food cooking. ■ Bring liquid to a boil.
MED to HI	■ Hold a rapid boil. ■ Quickly brown or sear food.
MED	■ Fry or sauté foods. ■ Hold a slow boil.
MED to LO	■ Cook soups, sauces and gravies. ■ Stew or steam foods.
LO	■ Keep food warm. ■ Melt chocolate or butter. ■ Simmer.

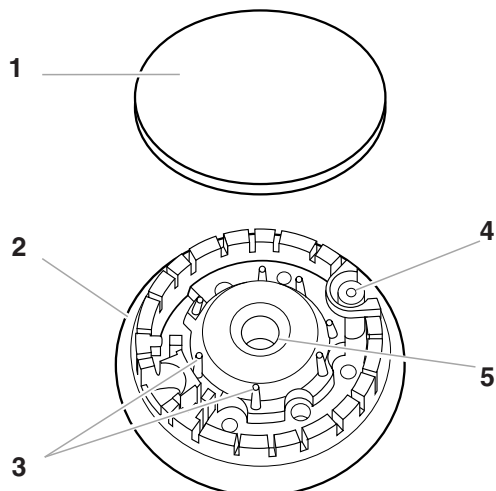
REMEMBER: When cooktop is in use, the entire cooktop area may become hot.

Surface Burners

IMPORTANT: Do not obstruct the flow of combustion and ventilation air around the burner grate edges.

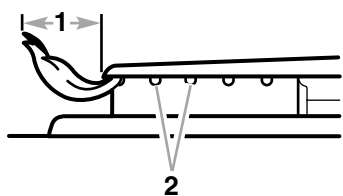
Before cleaning, make sure all controls are off and the oven and cooktop are cool. Do not use oven cleaners, bleach or rust removers.

Burner cap: Always keep the burner cap in place when using a surface burner. A clean burner cap will help prevent poor ignition and uneven flames. Always clean the burner cap after a spillover and routinely remove and clean the caps according to the "General Cleaning" section.



1. Burner cap
2. Burner base
3. Alignment pins
4. Igniter
5. Gas tube opening

Gas tube opening: Gas must flow freely throughout the gas tube opening for the burner to light properly. Keep this area free of soil and do not allow spills, food, cleaning agents or any other material to enter the gas tube opening. Protect it from splatters by always using a burner cap.

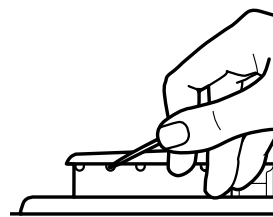


1. 1-1/2 in. (25-38 mm)
2. Burner ports

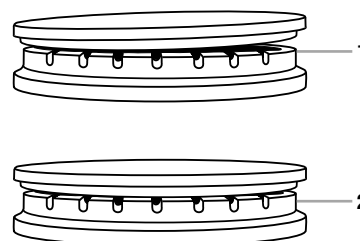
Burner ports: Check burner flames occasionally for proper size and shape as shown above. A good flame is blue in color, not yellow. Keep this area free of soil and do not allow spills, food, cleaning agents or any other material to enter the burner ports.

To Clean:

1. Remove the burner cap from the burner base and clean according to "General Cleaning" section.
2. Clean the gas tube opening with a damp cloth.
3. Clean clogged burner ports with a straight pin as shown. Do not enlarge or distort the port. Do not use a wooden toothpick. If the burner needs to be adjusted, contact a trained repair specialist.



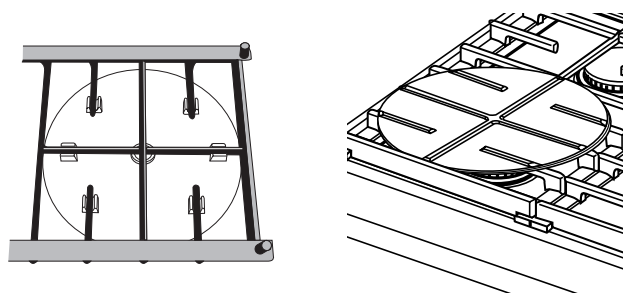
4. Replace the burner cap, making sure the alignment pins on the cap are properly aligned with the burner base.



1. Incorrect
2. Correct

5. Turn on the burner. If the burner does not light, check cap alignment. If the burner still does not light, do not service the sealed burner yourself. Contact a trained repair specialist.

Simmer Plate



The Simmer Plate is made of aluminum to evenly spread the heat over the bottom of cookware. It can be used on the large surface burners.

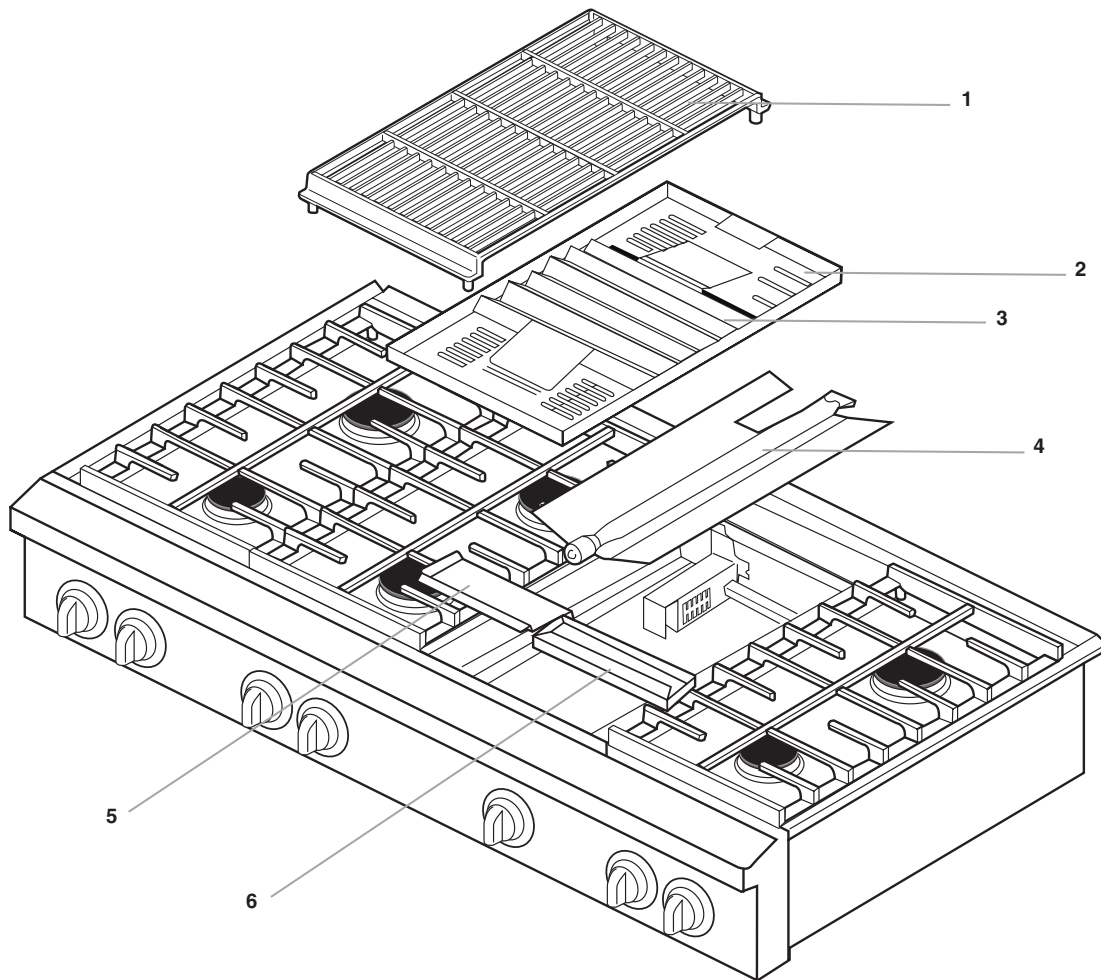
Do not use the Simmer Plate above the medium setting. For best results, use the Simmer Plate with burner settings in the medium to low range on the cooktop when lower temperatures are needed for simmering, or for maintaining food at a low temperature over an extended period of time.

Channels on the bottom of the Simmer Plate have been designed so it fits properly and securely over the grate.

See "Assistance or Service" section to order extra Simmer Plates.

GRILLE

(on some models)



1. Grille Grate
2. Wave Tray

3. Wave Plate
4. Burner Assembly

5. Front Spill Guard
6. Drip Tray

The grille module consists of a cast-iron grate, a wave tray, a wave plate, a burner assembly, a front spill guard and a drip tray. It is used to grill foods. Refer to the “Grille Chart” for cook times and settings.

When using the grille, follow the guidelines below.

- Do not leave the grille unattended while cooking.
- Do not use aluminum foil, charcoal or wood chips.
- Trim excess fat to reduce spattering. Slit the remaining fat on the edges to prevent curling.
- Allow space between food on the grille. Crowding food will result in uneven cooking.
- Use a metal spatula or tongs to turn food.
- Steaks, chops and hamburgers should be turned only once to prevent loss of juices.
- For even cooking, foods such as chicken quarters should be turned several times.

- To check for doneness of meats and poultry, use an instant read thermometer or make a small cut in the center of the food. This will prevent loss of juices.

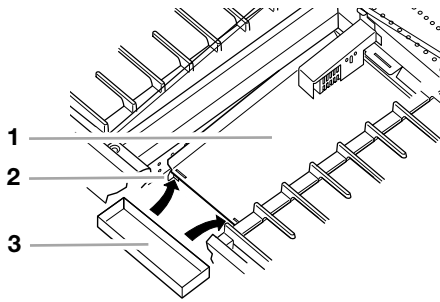
Before removing or replacing grille, make sure the control knobs are turned to OFF. Allow the grille to cool completely before handling.

To Remove:

1. Remove grille grate.
2. Remove wave tray and wave plate.
3. Remove burner assembly.
4. Remove front spill guard.
5. Remove drip tray.
6. Clean basin. See “General Cleaning” section.

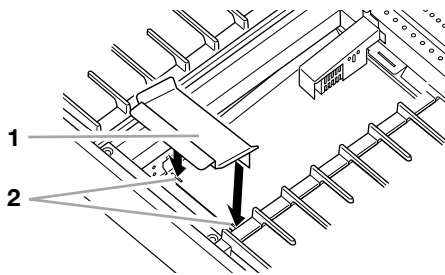
To Replace:

1. Lift burner assembly out of basin and set aside.
2. Place drip tray on bottom of grille basin and slide the tray forward so that it is located side to side and against the locating feet of the rear spill guard.



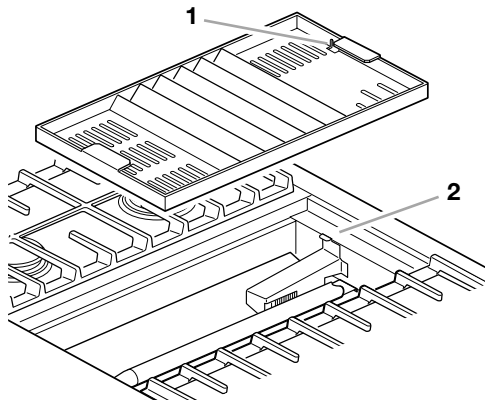
1. Rear spill guard
2. Locating feet
3. Drip tray

3. Insert the front spill guard feet into the slots in the rear spill guard. The rear flange will rest on the burner box.



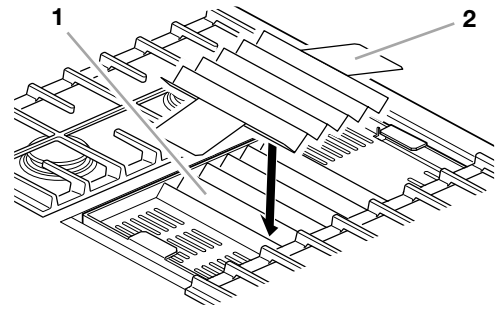
1. Front spill guard
2. Feet and slots

4. Place burner assembly over spill guard, making sure burner's rear flange is seated in slot.
5. Install the wave tray into the grille. The tab in the left rear corner of the bay must fit through the slot in the left rear corner of the wave tray.



1. Slot for locating tab
2. Locating tab

6. Place the wave plate on the wave tray. The wave plate must be centered on the wave tray.



1. Wave tray
2. Wave plate

7. Replace grille grate.

To Use:

1. Turn on overhead range hood.
2. If desired, apply a light coating of vegetable oil or non-stick cooking spray to grille grate.
3. Push in and turn knob to LITE/HI. The flame will ignite in 30-40 seconds. Allow grille to preheat for 10 minutes.
4. Turn knob to desired cook setting. Place food on grille.

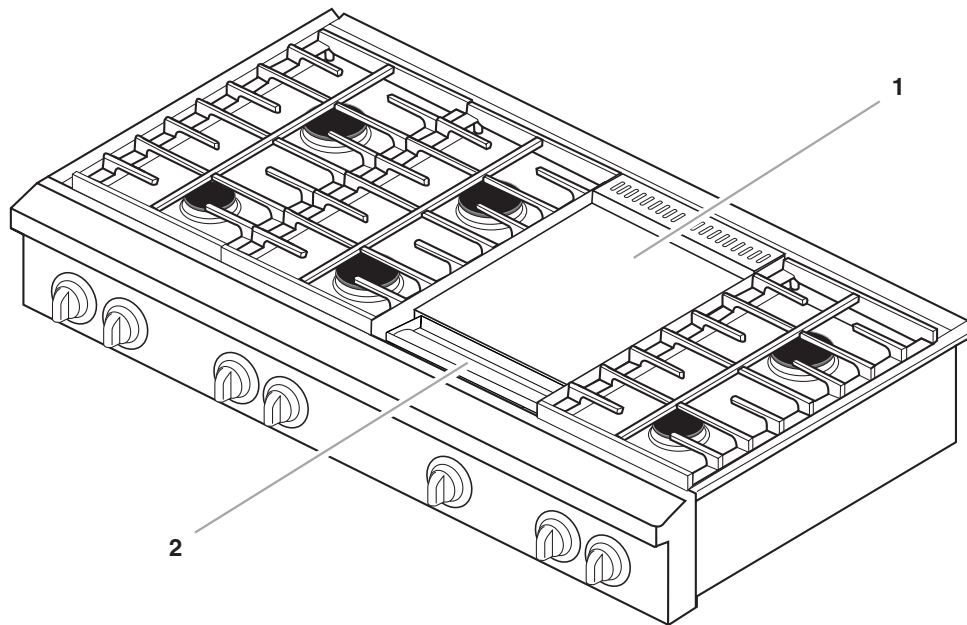
GRILLE CHART

The settings and times are guidelines only and may need to be adjusted for individual tastes.

FOOD	SETTING	COOK TIME TOTAL MINUTES
Steak		
1 in. (2.5 cm)	MED-HI	16-20
medium	MED-HI	20-30
well done		
Ground Meat Patties		
½-¾ in. (1.3-1.9 cm)	MED	20-25
Pork Chops		
1 in. (2.5 cm)	MED	35-55
Ham Slices		
½ in. (1.2 cm)	MED-HI	8-12
Frankfurters and Pre-cooked Sausages		
	MED	8-15
Chicken		
Quarters	MED-LO	50-80
Breasts, boneless	MED	20-40
Fish Steaks		
¾-1 in. (1.9-2.5 cm)	MED	10-15

GRIDDLE

(on some models)



1. Griddle

2. Drip Tray

The griddle is a built-in unit made of polished steel and comes with a drip tray. It is shipped with a protective coating covered with paper to prevent rust from occurring and must be removed before using. See the “General Cleaning” section for more information.

- Do not use cookware on the griddle.
- Do not pour cold water on a hot griddle. This may warp the griddle, producing an uneven cooking surface.
- The griddle must be level to operate properly.
- The griddle should be preheated before cooking most foods. Refer to recipe or package instructions.
- Remove and clean the grease tray and the area below after each use.
- After each cleaning, wipe the griddle surface with a light film of cooking oil to protect the finish from rust and corrosion. Do not use corn oil.
- It is normal for a seasoned griddle to darken with use.

Before cleaning the griddle, turn control knobs to OFF and allow griddle to cool.

First Time Use:

1. Remove the paper from the griddle.
2. Completely remove the protective coating from the surface with warm soapy water and a soft cloth or sponge. Rinse and dry.
3. Pour 1 teaspoon (5 mL) of vegetable oil onto the center of the griddle and spread evenly over the entire surface with a paper towel.
The griddle is ready for use. If desired, additional grease or shortening may be used when cooking.

To Use:

1. Push in and turn knob to LITE/HI. The flame will ignite in 30-40 seconds. Allow griddle to preheat for 10 minutes. Place food on griddle.
2. If preheating is not required, start cooking food at desired temperature setting.

GRIDDLE CHART

The settings and times are guidelines only and may need to be adjusted for individual tastes.

FOOD	SETTING	COOK TIME TOTAL MINUTES
Sausage Patties and Links	325°F (163°C)	12-18
Bacon Slices	350°F (177°C)	7-11
Ham Steaks (fully cooked)	325°F (163°C)	5-7
Ground Meat Patties	350°F (177°C)	10-15
Frankfurters and Pre-cooked Sausages	325°F (163°C)	8-15
Fish Steaks, Fillets	325°F (163°C)	8-15
Eggs	300°F (149°C)	3-5
Hash Brown Potatoes	400°F to 425°F (204°C to 218°C)	8-12
French Toast	350°F (177°C)	5-7
Pancakes	350°F (177°C)	2-4
Grilled Sandwiches	325°F (163°C)	3-5

Home Canning

When canning for long periods, alternate the use of surface cooking areas, elements or surface burners between batches. This allows time for the most recently used areas to cool.

- Center the canner on the grate or largest surface cooking area or element. Canners should not extend more than 1 in. (2.5 cm) outside the cooking area.
- Do not place canner on two surface cooking areas, elements or surface burners at the same time.
- For more information, contact your local U.S. Government Agricultural Department Extension Office. In Canada, contact Agriculture Canada. Companies that manufacture home canning products can also offer assistance.

Cookware

IMPORTANT: Never leave empty cookware on a hot surface cooking area, element or surface burner.

Ideal cookware should have a flat bottom, straight sides, a well-fitting lid and the material should be of medium-to-heavy thickness.

Rough finishes may scratch the cooktop. Aluminum and copper may be used as a core or base in cookware. However, when used as a base it can leave permanent marks on the cooktop or grates.

Cookware material is a factor in how quickly and evenly heat is transferred, which affects cooking results. A nonstick finish has the same characteristics as its base material. For example, aluminum cookware with a nonstick finish will take on the properties of aluminum.

Use the following chart as a guide for cookware material characteristics.

COOKWARE	CHARACTERISTICS
Aluminum	<ul style="list-style-type: none">■ Heats quickly and evenly.■ Suitable for all types of cooking.■ Medium or heavy thickness is best for most cooking tasks.
Cast iron	<ul style="list-style-type: none">■ Heats slowly and evenly.■ Good for browning and frying.■ Maintains heat for slow cooking.
Ceramic or Ceramic glass	<ul style="list-style-type: none">■ Follow manufacturer's instructions.■ Heats slowly, but unevenly.■ Ideal results on low to medium heat settings.
Copper	<ul style="list-style-type: none">■ Heats very quickly and evenly.
Earthenware	<ul style="list-style-type: none">■ Follow manufacturer's instructions.■ Use on low heat settings.
Porcelain enamel-on-steel or cast iron	<ul style="list-style-type: none">■ See stainless steel or cast iron.
Stainless steel	<ul style="list-style-type: none">■ Heats quickly, but unevenly.■ A core or base of aluminum or copper on stainless steel provides even heating.

COOKTOP CARE

General Cleaning

IMPORTANT: Before cleaning, make sure all controls are off and the cooktop is cool. Always follow label instructions on cleaning products.

Soap, water and a soft cloth or sponge are suggested first unless otherwise noted.

EXTERIOR PORCELAIN ENAMEL SURFACES

Food spills containing acids, such as vinegar and tomato, should be cleaned as soon as the entire appliance is cool. These spills may affect the finish.

- Glass cleaner, mild liquid cleaner or nonabrasive scrubbing pad:

Gently clean around the model and serial number plate because scrubbing may remove numbers.

STAINLESS STEEL

Do not use soap-filled scouring pads, abrasive cleaners, Cooktop Polishing Creme, steel-wool pads, gritty washcloths or some paper towels. Damage may occur.

Rub in direction of grain to avoid damaging.

- **Stainless Steel Cleaner & Polish:**
See “Assistance or Service” section to order.
- **Liquid detergent or all-purpose cleaner:**
Rinse with clean water and dry with soft, lint-free cloth.
- **Vinegar for hard water spots**

PORCELAIN-COATED GRATES AND CAPS

Food spills containing acids, such as vinegar and tomato, should be cleaned as soon as the cooktop, grates and caps are cool. These spills may affect the finish.

To avoid chipping, do not bang grates and caps against each other or hard surfaces such as cast iron cookware.

Do not reassemble caps on burners while wet.

Do not clean in the Self-Cleaning cycle.

Do not clean in dishwasher.

- **Nonabrasive pad and mildly abrasive cleanser:**
Clean as soon as cooktop, grates and caps are cool.

SURFACE BURNERS

Sealed Burner models

See “Surface Burners” section.

CONTROL KNOBS

Do not use steel wool, abrasive cleansers or oven cleaner.

Do not soak knobs.

When replacing knobs, make sure knobs are in the OFF position.

On some models, do not remove seals under knobs.

NOTE: When replacing knobs after cleaning either the surface burner controls or the grille module control, make sure the knobs are replaced to the correct location. For example, the knobs for the surface burner controls will read “LITE,” while the knob for the grill will read “LITE/HI.”

- **Soap and water or dishwasher:**
Pull knobs straight away from control panel to remove.

CONTROL PANEL

Do not use abrasive cleaners, steel-wool pads, gritty washcloths or some paper towels. Damage may occur.

- **Soap and water.**
Wash, rinse and dry with a soft cloth.
- **Glass cleaner and soft cloth or sponge:**
Apply glass cleaner to soft cloth or sponge, not directly on panel.

SIMMER PLATE

Do not clean in dishwasher.

- **Liquid detergent and water.**
Wipe with damp cloth or sponge then rinse with clean water and wipe dry.
- **Mild-abrasive cleanser**
Rub in the direction of the grain lines with a damp cloth or sponge. Rinse thoroughly. Repeat if necessary.

TILE BEZEL

- **Soap and water.**
Wash, rinse and dry with a soft cloth.
- **Glass cleaner.**
Apply glass cleaner to soft cloth or sponge, not directly on tile bezel assembly.

GRILLE MODULE

For more information, see “Grille” section.

Do not use oven cleaners, metal brushes, abrasive scouring pads or other scrubbers made to clean outdoor grilles.

Grille Grate

Do not clean grille grate in dishwasher.

Do not clean in a self-cleaning oven.

- **Clean the grille grate shortly after cooking is completed and the burner has been turned off.**
- **While still warm, use a soft bristle barbecue brush to scrub the grille grate. Oven mitts may be worn while cleaning.**
- **For thorough cleaning of the grille grate, soak in warm, soapy water for 30 minutes. After soaking, scrub with nonabrasive pad.**

Wave Tray and Wave Plate

- **Soak in warm, soapy water to loosen soil. After soaking, scrub with a nonabrasive pad.**
- **Oven cleaner.**

Burner Assembly

Do not soak in water.

- **Soap and water or nonabrasive cleanser.**
- **Damp cloth or nonabrasive pad.**

Front Spill Guard and Drip Tray

Allow cooktop to cool completely before cleaning.

- **Soap and water or nonabrasive cleanser.**
- **Damp cloth or nonabrasive pad.**

Module Basin

- **Warm, soapy water.**
- **Nonabrasive pad or sponge.**
- **For heavy soil, soak paper towels in household cleanser and lay them on the soil for at least 30 minutes. After soaking, scrub with a nonabrasive pad.**

GRIDDLE MODULE

Clean the griddle shortly after removing food and the burner has been turned off.

- Use a metal spatula to scrape residue into the drip tray. To avoid damaging the surface, always rub in the direction of the polish lines. If necessary, scrub the griddle surface with a nonabrasive pad and a little cooking oil or use a griddle screen cleaner (not supplied with this unit).

- Hot, soapy water and/or soft plastic scrub pad.
- After cleaning, dry surface with a soft cloth or sponge. To protect the finish and prevent rust, wipe the entire surface with a light film of cooking oil.

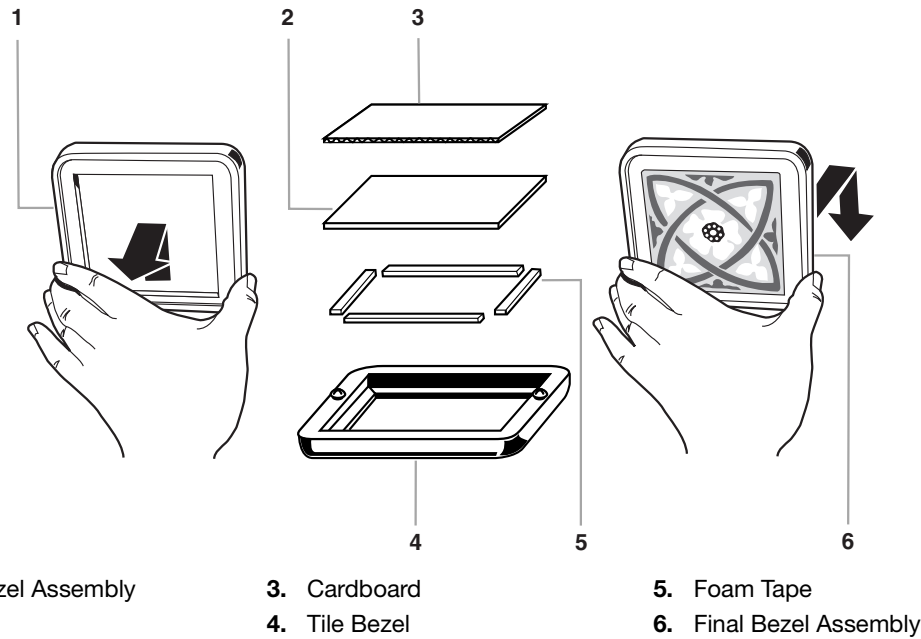
Drip Tray and Area Under Tray

Allow cooktop to cool completely before cleaning.

- Soap and water or nonabrasive cleanser.
 - Damp cloth or nonabrasive pad.
-

TILE BEZEL FEATURE

The Tile Bezel feature allows you to insert decorative tiles into the bezel assembly. This allows you to coordinate the tiles in the bezel with the tiles in your kitchen. To order additional Tile Bezels, see "Assistance or Service" section.



To Insert Using a 4¼ in. (10.8 cm) tile

Before inserting the tile, remove tile bezels from accessory box and unwrap.

1. Remove the piece of square cardboard from inside the bezel and save.
2. Insert your tile into the bezel with decorative side facing the front.
3. Depending on the thickness of the tile, use the cardboard or the foam tape. Either option will require peeling the backing off the tape and attaching to the tile.
If you are using cardboard, be sure to center on the tile.
4. Reattach assembly to control panel by lining up holes on back of bezel over screws on the control panel, and push down firmly until it is in place.

To Insert Using a 3⅞ in. (9.8 cm) tile

Before inserting the tile, remove tile bezels from accessory box and unwrap.

1. Remove the piece of square cardboard from inside the bezel and save.
2. Peel backing from foam tape and adhere to inside vertical surfaces of tile bezel.
3. Insert your tile, decorative side facing the front, into one corner of the bezel and apply some pressure which will compress the foam tape and allow the other end of the tile to drop in.
4. Depending on the thickness of the tile, use the cardboard or the foam tape. Either option will require peeling the backing off the tape and attaching to the tile.
If you are using the cardboard, be sure to center on the tile.
5. Reattach assembly to control panel by lining up holes on back of bezel over screws on the control panel, and push down firmly until it is in place.

TROUBLESHOOTING

Try the solutions suggested here first in order to avoid the cost of an unnecessary service call.

Nothing will operate

- **Has a household fuse blown or has the circuit breaker tripped?**
Replace the fuse or reset the circuit.
-

Surface burners will not operate

- **Is this the first time the surface burners have been used?**
Turn on any one of the surface burner knobs to release air from the gas lines.
 - **Is the control knob set correctly?**
Push in knob before turning to a setting.
 - **Are the burner ports clogged?**
On sealed burner models, see “Surface Burners” section.
-

Surface burner flames are uneven, yellow and/or noisy

- **Are the burner ports clogged?**
On sealed burner models, see “Surface Burners” section.
 - **On models with caps, are the burner caps positioned properly?**
See “Surface Burners” section.
 - **Is the burner damaged?**
On models with caps, look for a warped cap. If cap will not spin freely on a flat surface, painted side down, the cap is warped. Switch cap with a different surface burner to check for further warping. Contact a trained repair specialist.
 - **Is propane gas being used?**
The appliance may have been converted improperly. Contact a trained repair specialist.
-

Surface burner makes popping noises

- **Is the burner wet?**
Let it dry.
-

Burner sparks but does not light

- **Is there continuous sparking, but the burner does not light?**
Discontinue use of the surface burner and contact a service technician.
-

Excessive heat around cookware on cooktop

- **Is the cookware the proper size?**
Use cookware about the same size as the surface cooking area, element or surface burner. Cookware should not extend more than 1 in. (2.5 cm) outside the cooking area.
-

Cooktop cooking results not what expected

- **Is the proper cookware being used?**
See “Cookware” section.
 - **Is the control knob set to the proper heat level?**
See “Cooktop Controls” section.
 - **Is the appliance level?**
Level the appliance. See the Installation Instructions.
-

Grille and Griddle results not what expected

- **Was the grille or griddle preheated?**
Preheat grille or griddle. See “Grille” or “Griddle” sections for more information.
 - **Is there proper air circulation between foods?**
Space food evenly across the grille grates.
 - **Are foods taking too long to cook?**
Partially frozen or very cold foods will increase cooking time. Thoroughly defrost foods.
-

ASSISTANCE OR SERVICE

Before calling for assistance or service, please check “Troubleshooting.” It may save you the cost of a service call. If you still need help, follow the instructions below.

When calling, please know the purchase date and the complete model and serial number of your appliance. This information will help us to better respond to your request.

If you need replacement parts

If you need to order replacement parts, we recommend that you only use factory specified parts. These factory specified parts will fit right and work right because they are made with the same precision used to build every new KITCHENAID® appliance.

To locate factory specified parts in your area, call our Customer Interaction Center telephone number or your nearest KitchenAid designated service center.

In the U.S.A.

Call the KitchenAid Customer Interaction Center toll free:

1-800-422-1230.

Our consultants provide assistance with:

- Features and specifications on our full line of appliances.
- Installation information.
- Accessory and repair parts sales.
- Specialized customer assistance (Spanish speaking, hearing impaired, limited vision, etc.).
- Referrals to local dealers, repair parts distributors, and service companies. KitchenAid designated service technicians are trained to fulfill the product warranty and provide after-warranty service, anywhere in the United States.

To locate the KitchenAid designated service company in your area, you can also look in your telephone directory Yellow Pages.

For further assistance

If you need further assistance, you can write to KitchenAid with any questions or concerns at:

KitchenAid Brand Home Appliances
Customer Interaction Center
553 Benson Road
Benton Harbor, MI 49022-2692

Please include a daytime phone number in your correspondence.

Accessories U.S.A.

To order accessories, call the KitchenAid Customer Interaction Center toll free at **1-800-442-9991** and follow the menu prompts. Or visit our website at www.kitchenaid.com and click on “Shop-Online,” then “Accessories.”

Stainless Steel Cleaner & Polish

(stainless steel models)

Order Part #4396095

Simmer Plate

(on some models)

Order Part #4455109

Tile Bezels

(on some models)

Order Part #8284641

Griddle Cover

Order Part #4396305

Wok Ring

Order Part #8284965

In Canada

For product related questions, please call the KitchenAid Canada Customer Interaction Center toll free:

1-800-461-5681 Monday to Friday 8:00 a.m. - 6:00 p.m. (EST).
Saturday 8:30 a.m. - 4:30 p.m. (EST).

Our consultants provide assistance with:

- Features and specifications on our full line of appliances.
- Referrals to local dealers.

For parts, accessories and service in Canada

Call **1-800-807-6777**. KitchenAid designated service technicians are trained to fulfill the product warranty and provide after-warranty service, anywhere in Canada.

For further assistance

If you need further assistance, you can write to KitchenAid Canada with any questions or concerns at:

Customer Interaction Center
KitchenAid Canada
1901 Minnesota Court
Mississauga, Ontario L5N 3A7

Please include a daytime phone number in your correspondence.

KITCHENAID® COOKTOP, BUILT-IN OVEN AND RANGE WARRANTY

ONE-YEAR FULL WARRANTY

For one year from the date of purchase, when this appliance is operated and maintained according to instructions attached to or furnished with the product, KitchenAid will pay for factory specified parts and repair labor costs to correct defects in materials or workmanship. Service must be provided by a KitchenAid designated service company.

SECOND THROUGH FIFTH YEAR LIMITED WARRANTY ON ELECTRIC ELEMENTS, CERAMIC GLASS COOKTOP, GAS BURNERS, AND SOLID STATE TOUCH CONTROL SYSTEM

On electric ranges and electric cooktops, in the second through fifth years from the date of purchase, when this appliance is operated and maintained according to instructions attached to or furnished with the product, KitchenAid will pay for factory specified parts for any electric element to correct defects in materials or workmanship.

On ceramic glass ranges and ceramic glass cooktops, in the second through fifth years from the date of purchase, when this appliance is operated and maintained according to instructions attached to or furnished with the product, KitchenAid will pay for factory specified parts for the ceramic glass cooktop. KitchenAid warrants that the ceramic glass cooktop will not discolor, the cooktop pattern will not wear off, the rubber seal between the ceramic glass cooktop and porcelain edge will not crack, the ceramic glass cooktop will not crack due to thermal shock and the surface unit elements will not burn out.

On gas ranges and gas cooktops, in the second through fifth years from the date of purchase, when this appliance is operated and maintained according to instructions attached to or furnished with the product, KitchenAid will pay for factory specified parts for any gas burner to correct defects in materials or workmanship.

On ranges and built-in ovens, in the second through fifth years from the date of purchase, when this appliance is operated and maintained according to instructions attached to or furnished with the product, KitchenAid will pay for factory specified parts for the porcelain oven cavity/inner door if the part rusts through due to defects in materials or workmanship. KitchenAid will pay for factory specified parts for solid state touch control system and Magnetron tube in combination ovens to correct defects in materials or workmanship.

SIXTH THROUGH TENTH YEAR LIMITED WARRANTY ON RANGES AND BUILT-IN OVENS PORCELAIN OVEN CAVITY/INNER DOOR

On ranges and built-in ovens only, in the sixth through tenth years from date of purchase, when this appliance is operated and maintained according to instructions attached to or furnished with the product, KitchenAid will pay for factory specified parts for the oven cavity/inner door if the part rusts through due to defects in materials or workmanship.

KitchenAid will not pay for:

1. Service calls to correct the installation of your appliance, to instruct you how to use your appliance, to replace house fuses or correct house wiring, or to replace owner-accessible light bulbs.
 2. Repairs when your appliance is used in other than normal, single-family household use.
 3. Pickup and delivery. Your appliance is designed to be repaired in the home.
 4. Damage resulting from accident, alteration, misuse, abuse, fire, flood, improper installation, acts of God or use of products not approved by KitchenAid or KitchenAid Canada.
 5. Repairs to parts or systems resulting from unauthorized modifications made to the appliance.
 6. Replacement parts or repair labor costs for units operated outside the United States or Canada.
 7. In Canada, travel or transportation expenses for customers who reside in remote areas.
 8. Any labor costs during the limited warranty periods.
-

KITCHENAID AND KITCHENAID CANADA SHALL NOT BE LIABLE FOR INCIDENTAL OR CONSEQUENTIAL DAMAGES.

Some states or provinces do not allow the exclusion or limitation of incidental or consequential damages, so this exclusion or limitation may not apply to you. This warranty gives you specific legal rights, and you may also have other rights which vary from state to state or province to province.

Outside the 50 United States and Canada, this warranty does not apply. Contact your authorized KitchenAid dealer to determine if another warranty applies.

If you need service, first see the "Troubleshooting" section of this book. After checking "Troubleshooting," additional help can be found by checking the "Assistance or Service" section or by calling the KitchenAid Customer Interaction Center, **1-800-422-1230** (toll-free), from anywhere in the U.S.A. In Canada, contact your KitchenAid designated service company or call **1-800-807-6777**. 4/01

Keep this book and your sales slip together for future reference. You must provide proof of purchase or installation date for in-warranty service.

Write down the following information about your appliance to better help you obtain assistance or service if you ever need it. You will need to know your complete model number and serial number. You can find this information on the model and serial number label/plate, located on your appliance as shown in the "Parts and Features" section.

Dealer name _____
Address _____
Phone number _____
Model number _____
Serial number _____
Purchase date _____

SÉCURITÉ DE LA TABLE DE CUISSON

Votre sécurité et celle des autres est très importante.

Nous donnons de nombreux messages de sécurité importants dans ce manuel et sur votre appareil ménager. Assurez-vous de toujours lire tous les messages de sécurité et de vous y conformer.



Voici le symbole d'alerte de sécurité.

Ce symbole d'alerte de sécurité vous signale les dangers potentiels de décès et de blessures graves à vous et à d'autres.

Tous les messages de sécurité suivront le symbole d'alerte de sécurité et le mot "DANGER" ou "AVERTISSEMENT". Ces mots signifient :

⚠ DANGER

Risque possible de décès ou de blessure grave si vous ne suivez pas immédiatement les instructions.

⚠ AVERTISSEMENT

Risque possible de décès ou de blessure grave si vous ne suivez pas les instructions.

Tous les messages de sécurité vous diront quel est le danger potentiel et vous disent comment réduire le risque de blessure et ce qui peut se produire en cas de non-respect des instructions.

AVERTISSEMENT : Pour votre sécurité, les renseignements dans ce manuel doivent être observés pour réduire au minimum les risques d'incendie ou d'explosion ou pour éviter des dommages au produit, des blessures ou un décès.

- Ne pas entreposer ni utiliser de l'essence ou d'autres vapeurs ou liquides inflammables à proximité de cet appareil ou de tout autre appareil électroménager.
- QUE FAIRE DANS LE CAS D'UNE ODEUR DE GAZ :
 - Ne pas tenter d'allumer un appareil.
 - Ne pas toucher à un commutateur électrique.
 - Ne pas utiliser le téléphone se trouvant sur les lieux.
 - Appeler immédiatement le fournisseur de gaz d'un téléphone voisin. Suivre ses instructions.
 - À défaut de joindre votre fournisseur de gaz, appeler les pompiers.
- L'installation et l'entretien doivent être effectués par un installateur qualifié, une agence de service ou le fournisseur de gaz.

IMPORTANTES INSTRUCTIONS DE SÉCURITÉ

AVERTISSEMENT : Pour réduire le risque d'incendie, de choc électrique, de blessures ou de dommages lors de l'utilisation de la table de cuisson, il convient d'observer certaines précautions élémentaires dont les suivantes :

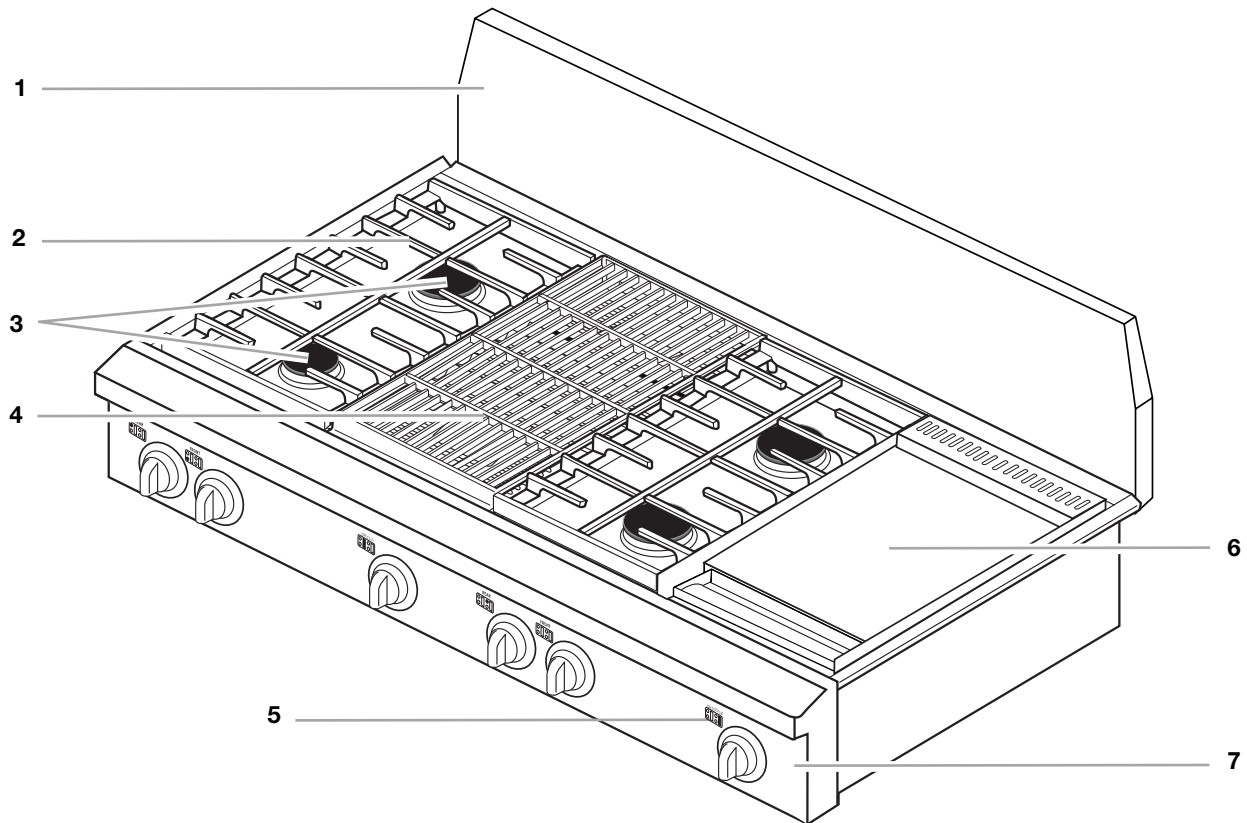
- **MISE EN GARDE** – Ne pas remiser dans des armoires au-dessus de la table de cuisson, des objets que des enfants pourraient vouloir atteindre. Les enfants pourraient se blesser gravement en grim pant sur la table de cuisson.
- Installation appropriée – La table de cuisson lorsqu'elle est correctement installée doit être reliée à la terre conformément aux codes locaux ou, en l'absence de codes locaux, selon le *Code national électrique, ANSI/NFPA70* ou le *Code canadien des installations électriques, Partie 1*. S'assurer que la table de cuisson est correctement installée et reliée à la terre par un technicien qualifié.
- La table de cuisson est munie d'une fiche de liaison à la terre à trois broches pour votre protection contre les risques de choc électrique et doit être branchée directement dans une prise de courant bien reliée à la terre. Ne pas couper ni enlever la broche de liaison à la terre de cette fiche.
- Débrancher l'alimentation électrique avant d'exécuter des réparations à la table de cuisson.
- Ne pas utiliser la table de cuisson comme source de chauffage ou de réchauffage d'une pièce.
- Des blessures peuvent survenir du mauvais usage de la table de cuisson tel que se tenir debout sur la surface, se pencher ou s'asseoir sur le dessus de la surface.
- Entretien – Garder l'espace autour de la table de cuisson dégagé et exempt de matériaux combustibles, d'essence et d'autres vapeurs et liquides inflammables.
- Remisage sur la table de cuisson – Des produits inflammables ne doivent pas être remisés sur ou près des éléments de surface.
- La taille de la flamme des brûleurs de surface devrait être ajustée de sorte qu'elle ne dépasse pas le bord d'un ustensile de cuisson.

CONSERVEZ CES INSTRUCTIONS

PIÈCES ET CARACTÉRISTIQUES

Ce manuel couvre plusieurs modèles différents. La table de cuisson que vous avez achetée peut comporter quelques-uns ou tous les articles énumérés. L'emplacement et l'apparence des caractéristiques illustrées peuvent être différents de ceux de votre modèle.

Table de cuisson de 48 po (121.92 cm)



1. Dossieret de protection en acier inoxydable (Garniture pour îlot non illustrée)

2. Grille de brûleur de surface

3. Brûleur de surface

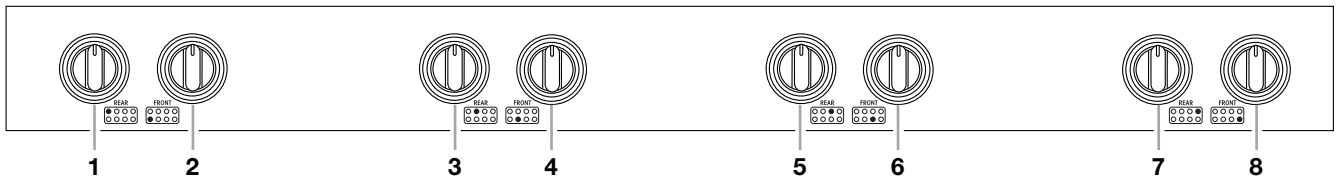
4. Gril (sur certains modèles)

5. Indicateur de brûleur de surface

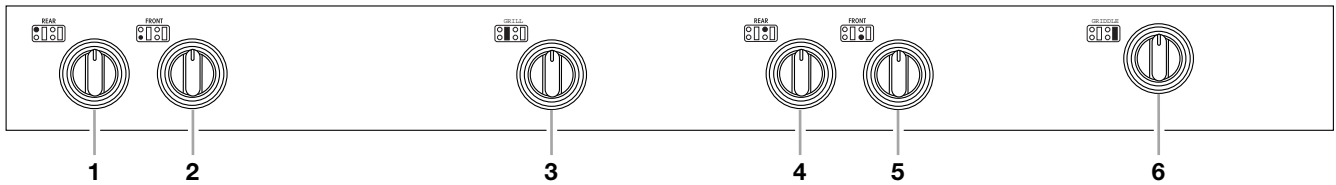
6. Plaque à frire (sur certains modèles)

7. Tableau de commande

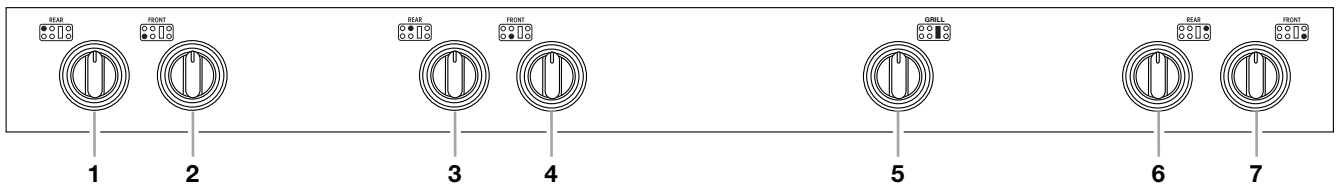
Tableaux de commande de 48 po (121.92 cm)



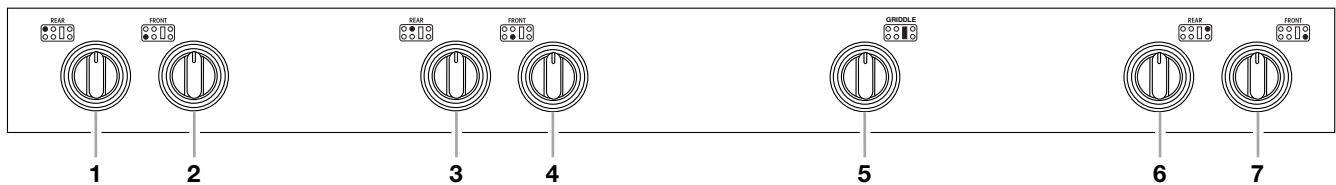
- | | | |
|---|---|---|
| 1. Commande arrière gauche (15K BTU) | 4. Commande avant centrale gauche (15K BTU) | 6. Commande avant centrale droite (15K BTU) |
| 2. Commande avant gauche (6K BTU) | 5. Commande arrière centrale droite (15K BTU) | 7. Commande arrière droite (15K BTU) |
| 3. Commande arrière centrale gauche (15K BTU) | | 8. Commande avant droite (6K BTU) |



- | | | |
|--------------------------------------|---|---|
| 1. Commande arrière gauche (15K BTU) | 3. Commande du grill (18K BTU) | 5. Commande avant centrale droite (15K BTU) |
| 2. Commande avant gauche (6K BTU) | 4. Commande arrière centrale droite (15K BTU) | 6. Commande de la plaque à frire (15K BTU) |

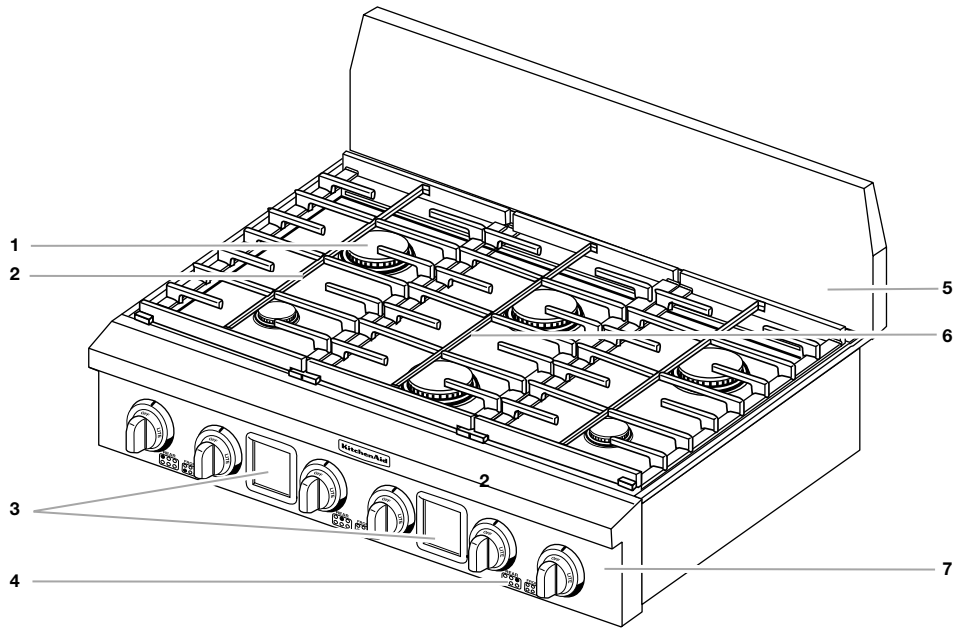


- | | | |
|--------------------------------------|---|--------------------------------------|
| 1. Commande arrière gauche (15K BTU) | 3. Commande arrière centrale gauche (15K BTU) | 5. Commande du grill (18K BTU) |
| 2. Commande avant gauche (6K BTU) | 4. Commande avant centrale gauche (15K BTU) | 6. Commande arrière droite (15K BTU) |
| | | 7. Commande avant droite (6K BTU) |



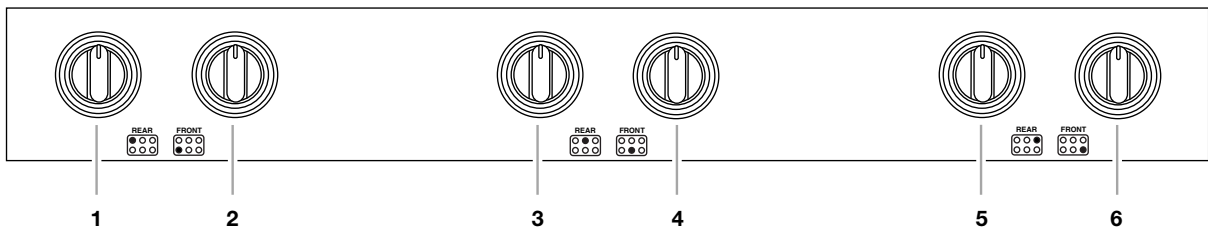
- | | | |
|--------------------------------------|---|--------------------------------------|
| 1. Commande arrière gauche (15K BTU) | 3. Commande arrière centrale gauche (15K BTU) | 5. Commande du grill (15K BTU) |
| 2. Commande avant gauche (6K BTU) | 4. Commande avant centrale gauche (15K BTU) | 6. Commande arrière droite (15K BTU) |
| | | 7. Commande avant droite (6K BTU) |

Table de cuisson de 36 po (91.44 cm)

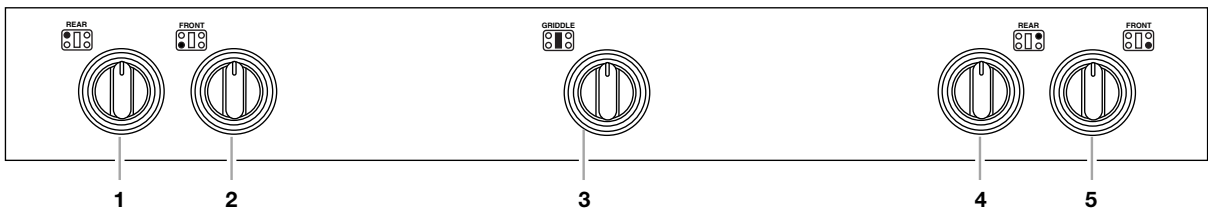


- | | | |
|---|--|--|
| 1. Brûleur de surface | 4. Indicateur de brûleur de surface | 6. Gril ou plaque à frire (sur certains modèles) |
| 2. Grille de brûleur de surface | 5. Dossieret de protection en acier inoxydable (garniture pour îlot non illustrée) | 7. Tableau de commande |
| 3. Encadrements à carreaux (sur certains modèles) | | |

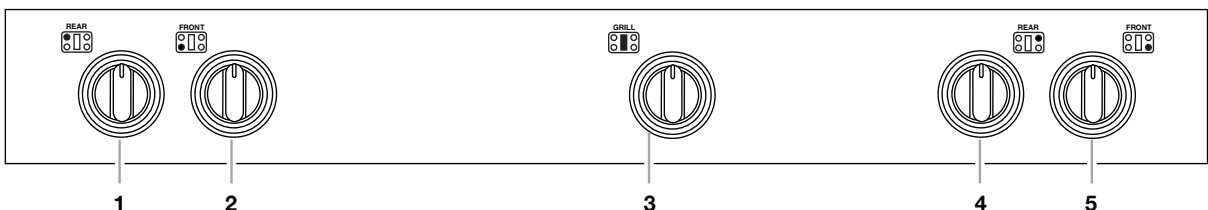
Tableaux de commande de 36 po (91.44 cm)



- | | | |
|--------------------------------------|--|--------------------------------------|
| 1. Commande arrière gauche (15K BTU) | 3. Commande arrière centrale (15K BTU) | 5. Commande arrière droite (15K BTU) |
| 2. Commande avant gauche (6K BTU) | 4. Commande avant centrale (15K BTU) | 6. Commande avant droite (6K BTU) |



- | | | |
|--------------------------------------|--|--------------------------------------|
| 1. Commande arrière gauche (15K BTU) | 3. Commande de la plaque à frire (15K BTU) | 4. Commande arrière droite (15K BTU) |
| 2. Commande avant gauche (6K BTU) | | 5. Commande avant droite (6K BTU) |



- | | | |
|--------------------------------------|-------------------------------|--------------------------------------|
| 1. Commande arrière gauche (15K BTU) | 3. Commande du gril (18K BTU) | 4. Commande arrière droite (15K BTU) |
| 2. Commande avant gauche (6K BTU) | | 5. Commande avant droite (6K BTU) |

UTILISATION DE LA TABLE DE CUISSON

Commandes de la table de cuisson

⚠ AVERTISSEMENT



Risque d'incendie

La flamme d'un brûleur ne devrait pas dépasser le bord du récipient de cuisson.

Fermer tous les réglages lorsque la cuisson est terminée.

Le non-respect de ces instructions peut causer un décès ou un incendie.

IMPORTANT: La table de cuisson est réglée à l'usine pour l'utilisation de gaz naturel. Pour utiliser du gaz propane, un équipement de conversion au gaz propane est compris avec la cuisinière. Voir les instructions comprises avec la trousse de conversion au gaz propane pour les détails concernant l'exécution de cette conversion.

Des allumeurs électriques allument automatiquement les brûleurs de surface lorsque les boutons de commande sont réglés à LITE (allumage).

Les grands brûleurs (15K BTU) sont les plus chauds et permettent de cuire de grandes quantités d'aliments ou de liquides dans de grands chaudrons. Les petits brûleurs (6K BTU) permettent un mijotage plus précis à des températures plus basses pour de plus petites quantités d'aliments et de plus petits chaudrons.

Avant de régler un bouton de commande, placer l'ustensile de cuisson rempli sur la grille. Ne pas allumer un brûleur sous un ustensile vide ou sans ustensile sur la grille.

REMARQUE : Vérifier à la vue si le brûleur est allumé. Si le brûleur ne s'allume pas, écouter le son d'un déclic. Si vous n'entendez pas un déclic, ÉTEINDRE LE BRÛLEUR. Vérifier si le coupe-circuit est déclenché ou si un fusible est grillé.

Vérifier que le bouton de commande est complètement enfoncé sur la tige de la soupape. Si l'allumeur par étincelle ne fonctionne toujours pas, faire venir un technicien qualifié pour l'entretien.

Une liaison à la terre et une polarité appropriées sont nécessaires pour le bon fonctionnement du système d'allumage électrique. Si la prise de courant murale ne fournit pas la polarité correcte, l'allumeur deviendra relié à la terre et fera retentir un déclic de temps à autre, même après que le brûleur est allumé. Contacter un technicien qualifié pour l'entretien pour qu'il vérifie la prise de courant murale pour voir si elle est reliée par fil à la polarité correcte.

Réglage :

1. Pousser et tourner le bouton dans le sens antihoraire à LITE. Tous les brûleurs de surface émettront un déclic. Seul le brûleur dont le bouton est tourné à LITE produira une flamme.
2. Tourner le bouton n'importe où entre HI et LO. Utiliser le tableau suivant comme guide lors du réglage des niveaux de chaleur.

RÉGLAGE	UTILISATION RECOMMANDÉE
LITE	■ Pour allumer le brûleur.
HI	■ Pour commencer la cuisson des aliments. ■ Pour porter un liquide à ébullition.
MED à HI	■ Pour maintenir une ébullition rapide. ■ Pour brunir ou saisir rapidement les aliments.
MED	■ Pour frire ou sauter les aliments. ■ Pour maintenir une ébullition lente.
MED à LO	■ Pour cuire les soupes et les sauces. ■ Pour mijoter ou étuver les aliments.
LO	■ Pour garder les aliments chauds. ■ Pour fondre le chocolat ou le beurre. ■ Pour mijoter lentement.

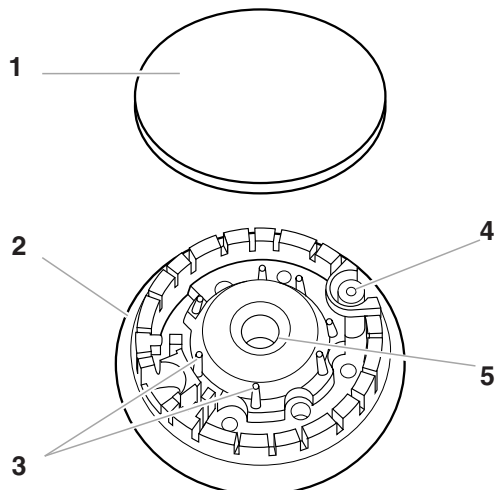
N'OUBLIEZ PAS : Quand l'appareil est utilisé, toute la surface de la table de cuisson peut devenir chaude.

Brûleurs de surface

IMPORTANT : Ne pas entraver l'évacuation de l'air de combustion et de ventilation autour des bords des grilles de brûleur.

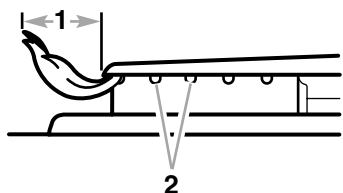
Avant le nettoyage, s'assurer que toutes les commandes sont éteintes et que le four et la table de cuisson sont froids. Ne pas utiliser de nettoyants à four, d'eau de Javel ou de décapants à rouille.

Chapeau de brûleur : Toujours garder le chapeau de brûleur en place lorsqu'un brûleur de surface est utilisé. Un chapeau de brûleur propre empêche le mauvais allumage et des flammes inégales. Toujours nettoyer le chapeau du brûleur après un renversement de produits et enlever et nettoyer régulièrement les chapeaux tel qu'indiqué à la section "Nettoyage général".



1. Chapeau de brûleur
2. Base du brûleur
3. Tiges d'alignement
4. Allumeur
5. Ouverture du tube d'arrivée de gaz

Ouverture du tube d'arrivée de gaz : Pour que la flamme s'allume convenablement, il faut que le gaz puisse passer librement à travers l'ouverture. Garder cette zone propre et ne pas laisser les produits renversés, les aliments, les agents de nettoyage ou tout autre produit pénétrer dans l'ouverture du tube d'arrivée de gaz. Protéger l'ouverture contre les renversements en utilisant toujours un chapeau de brûleur.



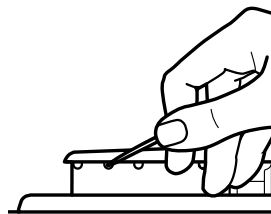
1. 1-1/2 po (25 à 38 mm)
2. Orifices de brûleur

Orifices de brûleur : Examiner occasionnellement les flammes des brûleurs pour en vérifier la taille et la forme tel qu'indiqué ci-dessus. Une bonne flamme est bleue plutôt que jaune. Garder cette zone exempte de souillures et ne pas laisser les produits renversés, les aliments, les agents de nettoyage ou autre produit pénétrer dans les orifices du brûleur.

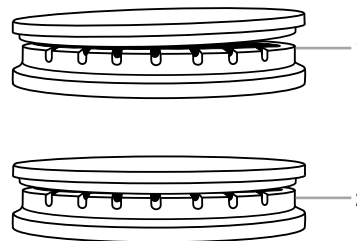
Nettoyage :

1. Enlever le chapeau de brûleur du la base du brûleur et nettoyer tel qu'indiqué à la section "Nettoyage général".
2. Nettoyer l'ouverture de tube d'arrivée de gaz avec un chiffon humide.

3. Nettoyer les orifices de brûleur obstrués avec une épingle droite tel qu'indiqué. Ne pas agrandir ni déformer l'orifice. Ne pas utiliser un cure-dents en bois. Si le brûleur a besoin d'être ajusté, contacter un technicien de réparation qualifié.



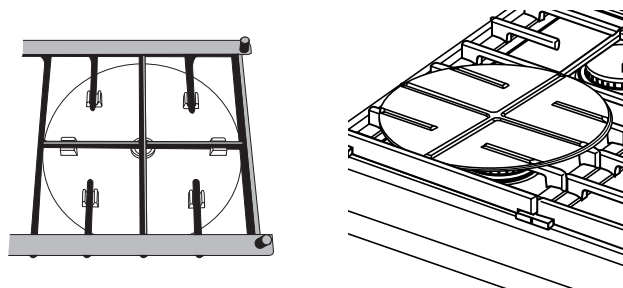
4. Réinstaller le chapeau du brûleur et s'assurer que les tiges d'alignement sur le chapeau sont bien alignées avec la base du brûleur.



1. Incorrect
2. Correct

5. Allumer le brûleur. Si le brûleur ne s'allume pas, vérifier l'alignement du chapeau. Si le brûleur ne s'allume toujours pas, ne pas faire vous-même l'entretien d'un brûleur scellé. Contacter un technicien de réparation qualifié.

Plaque de mijotage



La plaque de mijotage est fabriquée en aluminium pour répandre également la chaleur sur la base des ustensiles de cuisson. Elle peut être utilisée sur les brûleurs de grande surface.

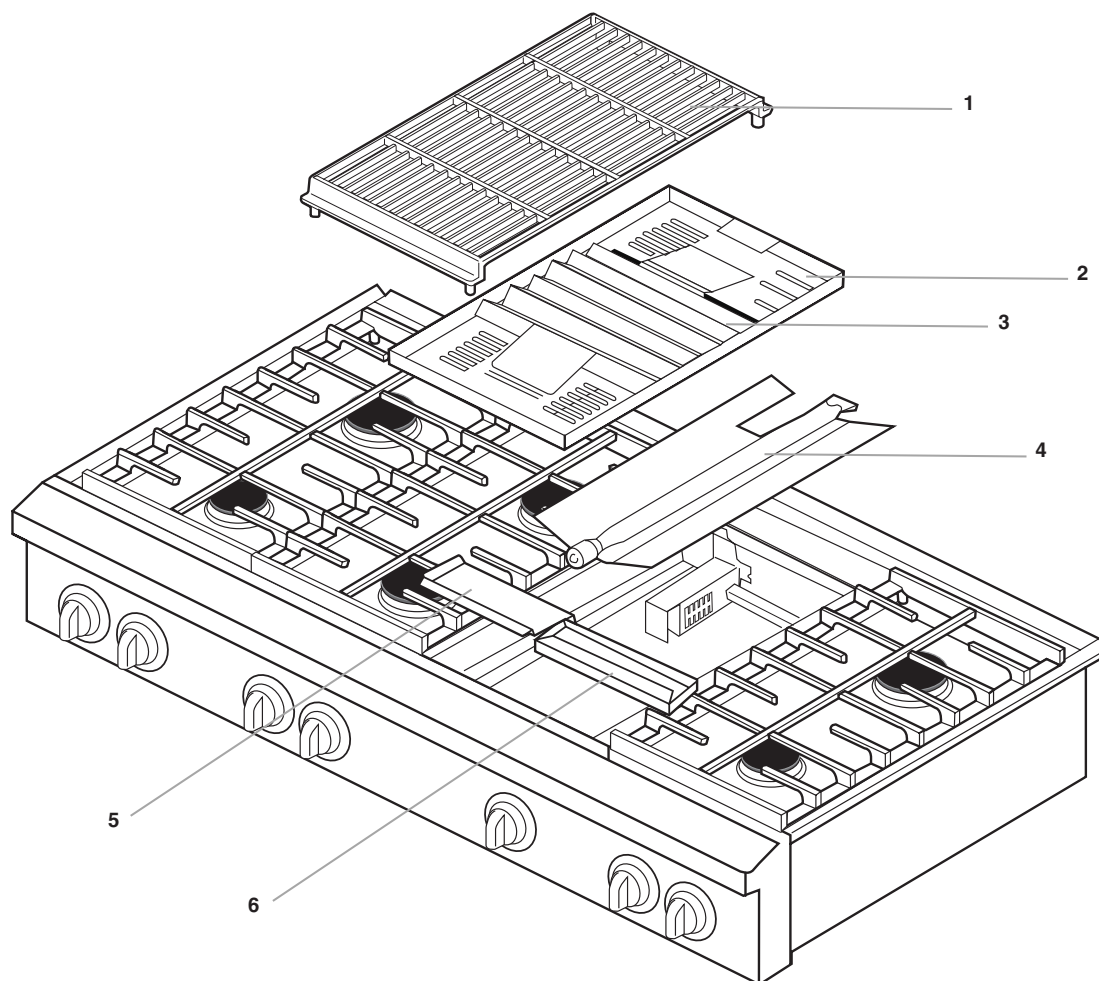
Ne pas utiliser la plaque de mijotage sur le réglage moyen. Pour de meilleurs résultats, utiliser la plaque de mijotage avec les réglages des brûleurs dans la gamme moyenne à faible sur la table de cuisson, lorsque des températures moins élevées sont requises pour le mijotage, ou pour maintenir les aliments à une température basse au cours d'une période prolongée.

Les rainures à la base de la plaque de mijotage ont été conçues de sorte qu'elles s'adaptent convenablement et solidement sur la grille.

Voir la section "Assistance ou service" pour soumettre une commande.

GRIL

(sur certains modèles)



- | | | |
|--------------------|------------------------|--------------------------------------|
| 1. Grille du gril | 3. Plaque nervurée | 5. Protecteur anti-déversement avant |
| 2. Plateau nervuré | 4. Ensemble de brûleur | 6. Plateau ramasse-gouttes |

Le module du gril consiste en une grille en fonte, un plateau nervuré, une plaque nervurée, un ensemble de brûleur, un protecteur anti-déversement et un plateau ramasse-gouttes. Il est utilisé pour griller les aliments. Se référer au "Tableau de cuisson au gril" pour les durées et réglages de cuisson.

Pour utiliser le gril, suivre les directives suivantes.

- Ne pas laisser le gril sans surveillance lors de la cuisson.
- Ne pas utiliser de papier d'aluminium, de charbon de bois ou copeaux de bois.
- Laisser de l'espace entre les aliments. Les aliments surchargés sur le gril ne cuiront pas uniformément.
- Couper l'excès de gras pour réduire les éclaboussures. Entailler le gras résiduel pour empêcher la viande de se cintrer.
- Utiliser une spatule en métal ou des pinces pour retourner les aliments.
- Retourner une seule fois les biftecks, côtelettes et hamburgers pour éviter les pertes de jus.

- Pour permettre une cuisson uniforme des quartiers de poulet, les retourner à plusieurs reprises.
- Pour vérifier le degré de cuisson de la viande ou de la volaille, utiliser un thermomètre à lecture instantanée ou pratiquer une petite entaille au centre de la viande. Cela évitera les pertes de jus.

Avant d'enlever ou de réinstaller le gril, s'assurer que les boutons de commande sont à OFF (arrêt) et laisser le gril refroidir complètement.

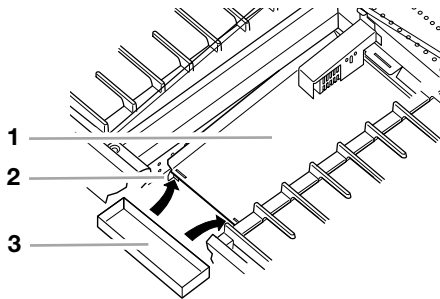
Enlèvement :

1. Enlever la grille du gril.
2. Enlever le plateau nervuré et la plaque nervurée.
3. Enlever l'ensemble du brûleur.

4. Enlever le protecteur anti-déversement.
5. Enlever le plateau ramasse-gouttes.
6. Nettoyer le bassin. Voir la section "Nettoyage général".

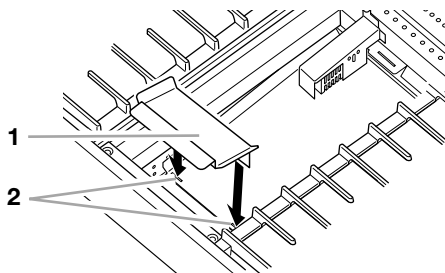
Réinstallation :

1. Soulever l'ensemble du brûleur hors du bassin et le mettre de côté.
2. Placer le plateau ramasse-gouttes au fond du bassin du gril et glisser le plateau vers l'avant de telle sorte qu'il se trouve en position transversale contre les pieds repères du protecteur anti-déversement arrière.



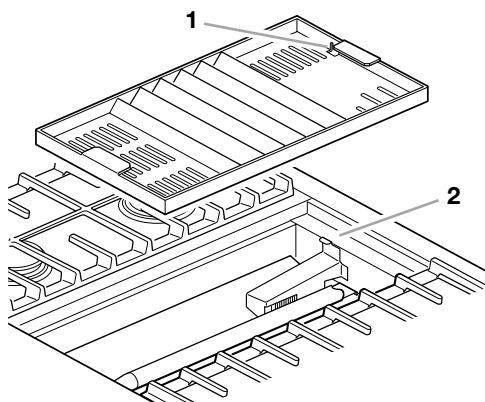
1. Protecteur anti-déversement arrière
2. Pieds repères
3. Plateau ramasse-gouttes

3. Insérer les pieds du protecteur anti-déversement avant dans les fentes du protecteur anti-déversement arrière. Le rebord arrière reposera sur le coffret des brûleurs.



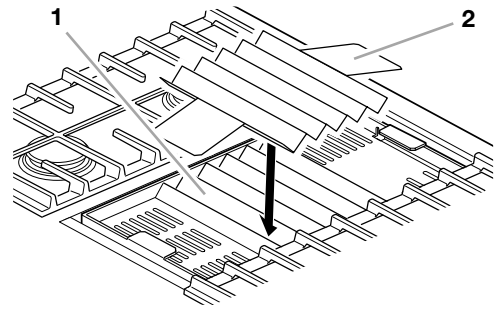
1. Protecteur anti-déversement avant
2. Pieds et fentes

4. Placer l'ensemble du brûleur sur le protecteur anti-déversement et s'assurer que le rebord arrière des brûleurs repose dans la fente.
5. Installer le plateau nervuré dans le gril. L'onglet dans le coin arrière gauche de la cavité doit passer à travers la fente dans le coin arrière gauche du plateau nervuré.



1. Fente pour l'onglet repère
2. Onglet repère

6. Placer la plaque nervurée sur le plateau nervuré. La plaque doit être centrée sur le plateau.



1. Plateau nervuré
2. Plaque nervurée

7. Réinstaller la grille du gril.

Utilisation :

1. Mettre la hotte d'évacuation au-dessus de la cuisinière en marche.
2. Si désiré, appliquer une mince couche d'huile végétale ou d'enduit antiadhésif de cuisson sur la grille du gril.
3. Pousser et tourner le bouton à LITE/HI. La flamme s'allumera en 30 à 40 secondes. Préchauffer le gril pendant 10 minutes.
4. Tourner le bouton au réglage de cuisson désiré. Mettre l'aliment sur le gril.

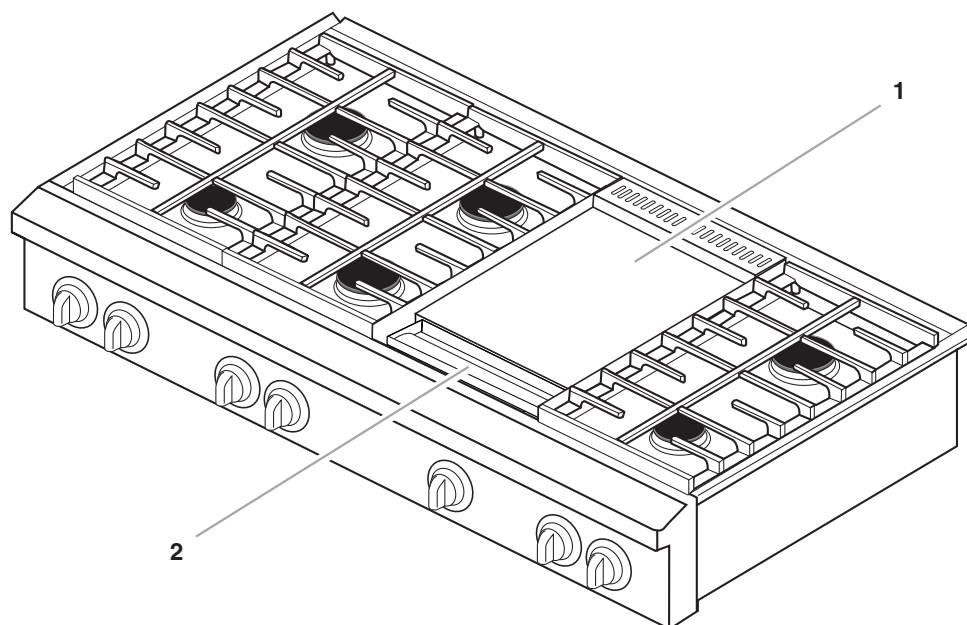
TABLEAU DE CUISSON AU GRIL

Les réglages et durées de cuisson ne sont que des suggestions et doivent être ajustées selon le goût.

ALIMENTS	RÉGLAGE	DURÉE DE CUISSON MINUTES
Bifteck 1 po (2,5 cm) à point bien cuit	MED-HI MED-HI	16-20 20-30
Galettes de viande hachée ½-¾ po (1,3 à 1,9 cm)	MED	20-25
Côtelettes de porc 1 po (2,5 cm)	MED	35-55
Tranches de jambon ½ po (1,2 cm)	MED-HI	8-12
Saucisses de Francfort et saucisses précuites	MED	8-15
Poulet Quartiers	MED-LO MED	50-80 20-40
Darnes de poisson ¾-1 po (1,9 à 2,5 cm)	MED	10-15

PLAQUE À FRIRE

(sur certains modèles)



1. Plaque à frire

2. Plateau ramasse-gouttes

La plaque à frire est un module incorporé en acier poli et muni d'un plateau ramasse-gouttes. Elle est expédiée recouverte d'un enduit antirouille recouvert de papier à enlever avant l'utilisation. Voir la section "Nettoyage général" pour plus de renseignements.

- Ne pas utiliser d'ustensile de cuisson sur la plaque à frire.
- Ne pas verser d'eau froide sur une plaque à frire chaude. Ceci risque de gauchir la plaque à frire et de produire des résultats de cuisson inégaux.
- La plaque à frire doit être d'aplomb pour bien fonctionner.
- La plaque à frire devrait être préchauffée avant la cuisson de la plupart des aliments. Voir les instructions sur l'emballage ou la recette.
- Enlever et nettoyer le plateau ramasse-gouttes; nettoyer aussi la zone en dessous après chaque utilisation.
- Après chaque nettoyage, enduire la surface de la plaque à frire avec une légère couche d'huile de cuisson pour protéger le fini contre la rouille et la corrosion. Ne pas utiliser d'huile de maïs.
- Il est normal que la plaque à frire conditionnée noircisse à l'usage.

Avant de nettoyer la plaque à frire, tourner les boutons de commande à OFF (arrêt) et laisser la plaque refroidir.

Utilisation initiale :

1. Enlever le papier de la plaque à frire.
2. Enlever complètement l'enduit protecteur de la surface avec de l'eau savonneuse tiède et un chiffon doux ou une éponge. Rincer et sécher.
3. Verser 1 c. à thé (5 mL) d'huile végétale au centre de la plaque à frire et l'étendre uniformément sur toute la surface avec un essuie-tout.
La plaque à frire est prête à être utilisée. Si désiré, utiliser un appoint de matière grasse ou de shortening lors de la cuisson.

Utilisation :

1. Pousser et tourner le bouton à LITE/HI. La flamme s'allumera en 30 à 40 secondes. Préchauffer la plaque à frire pendant 10 minutes. Mettre les aliments sur la plaque à frire.
2. Si le préchauffage n'est pas requis, commencer la cuisson au réglage de température désiré.

TABLEAU DE CUISSON SUR LA PLAQUE À FRIRE TOTALE DE

Les réglages et durées de cuisson ne sont que des suggestions et doivent être ajustés selon le goût.

ALIMENTS	RÉGLAGE	DURÉE TOTALE DU CUISSON MINUTES
Galettes de saucisse et saucisses	325°F (163°C)	12-18
Tranches de bacon	350°F (177°C)	7-11
Tranches de jambon (complètement cuit)	325°F (163°C)	5-7
Galettes de viande hachée	350°F (177°C)	10-15
Saucisses de Francfort et Saucisses précuites	325°F (163°C)	8-15
Darnes et filets de poisson	325°F (163°C)	8-15
Oeufs	300°F (149°C)	3-5
Pommes de terre rissolées	400°F à 425°F (204°C à 218°C)	8-12
Pain doré	350°F (177°C)	5-7
Crêpes	350°F (177°C)	2-4
Sandwiches grillés	325°F (163°C)	3-5

Préparation de conserves à la maison

Lors de la préparation de conserves pendant de longues périodes, alterner l'utilisation des surfaces de cuisson des éléments ou des brûleurs de surface entre les quantités préparées. Cette alternance permet aux dernières surfaces utilisées de refroidir.

- Centrer l'autoclave sur la grille ou la plus grande surface de cuisson ou sur le plus grand élément. L'autoclave ne doit pas dépasser plus de 1 po (2,5 cm) hors de la surface de cuisson.
- Ne pas placer l'autoclave sur deux surfaces de cuisson, deux éléments ou deux brûleurs de surface à la fois.
- Pour plus de renseignements, contacter le bureau local du Département de l'Agriculture des É.-U. Au Canada, contacter Agriculture Canada. Les compagnies qui fabriquent des produits pour la préparation de conserves peuvent aussi offrir de l'aide.

Ustensiles de cuisson

IMPORTANT : Ne jamais laisser un ustensile de cuisson vide sur une surface de cuisson, un élément ou un brûleur de surface chauds.

Les ustensiles de cuisson idéals doivent avoir un fond plat, des parois droites, un couvercle qui ferme bien et le matériau doit être d'épaisseur moyenne à forte.

Les finis rugueux peuvent égratigner la table de cuisson. L'aluminium et le cuivre peuvent être utilisés comme fond ou base d'un ustensile de cuisson. Toutefois, lorsqu'ils sont utilisés comme base, ils peuvent laisser des marques permanentes sur la surface de cuisson ou les grilles.

Le matériau d'un ustensile de cuisson a une influence sur la rapidité et l'uniformité de la transmission de la chaleur, lesquelles contribuent aux résultats de cuisson. Un fini antiadhésif a les mêmes caractéristiques que son matériau de base. Par exemple, un ustensile de cuisson en aluminium avec un fini antiadhésif aura les propriétés de l'aluminium.

Utiliser le tableau suivant comme guide pour les caractéristiques du matériau d'ustensile de cuisson.

USTENSILE	CARACTÉRISTIQUES
Aluminium	<ul style="list-style-type: none"> ■ Chauffe rapidement et également. ■ Convient à tous les genres de cuisson. ■ L'épaisseur moyenne ou forte convient le mieux pour la plupart des tâches de cuisson.
Fonte	<ul style="list-style-type: none"> ■ Chauffe lentement et également. ■ Convient pour le brunissement et la friture. ■ Maintient la chaleur pour une cuisson lente.
Céramique ou vitrocéramique	<ul style="list-style-type: none"> ■ Suivre les instructions du fabricant. ■ Chauffe lentement, mais inégalement. ■ Les meilleurs résultats sont obtenus aux réglages de chaleur basse à moyenne.
Cuivre	<ul style="list-style-type: none"> ■ Chauffe très rapidement et également.
Terre cuite	<ul style="list-style-type: none"> ■ Suivre les instructions du fabricant. ■ Utiliser des réglages de température basse.
Acier émaillé en porcelaine ou fonte émaillée	<ul style="list-style-type: none"> ■ Voir acier inoxydable ou fonte.
Acier inoxydable	<ul style="list-style-type: none"> ■ Chauffe rapidement, mais inégalement. ■ Un fond ou une base d'aluminium ou de cuivre sur l'acier inoxydable procure un chauffage égal.

ENTRETIEN DE LA TABLE DE CUISSON

Nettoyage général

IMPORTANT : Avant le nettoyage, s'assurer que toutes les commandes sont désactivées et que la table de cuisson est refroidie. Toujours suivre les instructions sur les étiquettes des produits nettoyants.

Du savon, de l'eau et un chiffon doux ou une éponge sont recommandés à moins d'indication contraire.

SURFACES EXTERNES EN ÉMAIL VITRIFIÉ

Les renversements d'aliments contenant des acides, tels que vinaigre et tomates, devraient être nettoyés dès que toute la surface est refroidie. Ces renversements peuvent affecter le fini.

- Nettoyant à vitre, nettoyant doux liquide ou tampon à récurer non abrasif :

Nettoyer doucement autour de la plaque signalétique des numéros de modèle et de série car le frottage pourrait en effacer les chiffres.

ACIER INOXYDABLE

Ne pas utiliser de tampons de récurage savonneux, nettoyants abrasifs, crème à polir pour table de cuisson, tampons en laine d'acier, chiffons de lavage rudes ou certains essuie-tout. Des dommages peuvent survenir.

Frotter dans la direction du grain pour éviter les dommages.

- Nettoyant et poli pour acier inoxydable :
Voir la section "Assistance ou Service" pour passer une commande.
- Détergent liquide ou nettoyant tout-usage :
Rincer à l'eau propre et sécher avec un chiffon doux sans charpie.
- Vinaigre pour les taches d'eau dure

GRILLES ET CHAPEAUX ÉMAILLÉS

Les renversements d'aliments contenant des acides, tels que vinaigre et tomates, devraient être nettoyés dès que la table de cuisson, les grilles et les chapeaux sont refroidis. Ces renversements peuvent affecter le fini.

Pour éviter l'écaillage, ne pas entrechoquer les grilles et les chapeaux ni les frapper contre des surfaces dures telles que les ustensiles en fonte.

Ne pas réinstaller les chapeaux sur les brûleurs quand ils sont mouillés.

Ne pas les nettoyer au moyen du programme d'autonettoyage.

Ne pas les nettoyer dans le lave-vaisselle.

- Tampon non abrasif et nettoyant liquide doux légèrement abrasif :

Nettoyer dès que la table de cuisson, les grilles et les chapeaux sont refroidis.

BRÛLEURS DE SURFACE

Modèles à brûleurs scellés

Voir la section "Brûleurs de surface".

BOUTONS DE COMMANDE

Ne pas utiliser de la laine d'acier, des produits de nettoyage abrasifs ou un nettoyant à four.

Ne pas les immerger.

Lors de la réinstallation des boutons, s'assurer que chaque bouton est à la position OFF (arrêt).

Sur certains modèles, ne pas enlever les joints sous les boutons.

REMARQUE : Lors de la réinstallation des boutons de commande des brûleurs de surface ou du gril, s'assurer que les boutons sont réinstallés au bon endroit. Par exemple, les boutons pour les brûleurs de surface portent la mention "LITE" et le bouton du gril la mention "LITE/HI".

- Savon et eau ou lave-vaisselle :

Tirer les boutons directement hors du tableau de commande pour les enlever.

TABLEAU DE COMMANDE

Ne pas utiliser des nettoyants abrasifs, tampons en laine d'acier, chiffons de lavage rudes ou certains essuie-tout. Des dommages peuvent survenir.

- Savon et eau.
Laver, rincer et sécher avec un chiffon doux.
- Nettoyant à vitre et chiffon doux ou éponge :
Appliquer le nettoyant à vitre sur un chiffon doux ou une éponge, et non pas directement sur le tableau.

PLAQUE DE MIJOTAGE

Ne pas la nettoyer dans la lave-vaisselle.

- Détergent liquide et eau.
Essuyer avec un chiffon ou une éponge humide, puis rincer à l'eau propre et sécher avec un chiffon sans charpie.
- Produit nettoyant légèrement abrasif :
Frotter dans le sens du grain avec un chiffon ou une éponge humide. Rincer à fond. Répéter au besoin.

ENCADREMENT À CARREAUX

- Savon et eau.
Laver, rincer et sécher avec un chiffon doux.
- Nettoyant à vitre.
Appliquer le nettoyant à vitre sur un chiffon doux ou une éponge, et non pas directement sur l'ensemble de l'encadrement à carreau.

MODULE DE GRIL

Pour plus de renseignements, voir la section "Gril."

Ne pas utiliser de nettoyants à four, brosses métalliques, tampons à récurer abrasifs ou autres accessoires de récurage destinés au nettoyage de grils de barbecue.

Grille du gril

Ne pas nettoyer la grille du gril dans la lave-vaisselle.

Ne pas la nettoyer dans un four autonettoyant.

- Nettoyer la grille du gril peu de temps après la cuisson et après avoir éteint le brûleur.
- Nettoyer la grille du gril lorsqu'elle est encore tiède avec une brosse à soies douces pour barbecue. Vous pouvez porter des mitaines de four pour ce nettoyage.
- Pour un nettoyage à fond de la grille du gril, la tremper dans de l'eau tiède savonneuse pendant 30 minutes. Après le trempage, frotter avec un tampon non abrasif.

Plateau nervuré et plaque nervurée

- Tremper dans de l'eau tiède savonneuse pour dégager la saleté. Après le trempage, frotter avec un tampon non abrasif.
- Nettoyant à four.

Ensemble de brûleur

Ne pas tremper dans l'eau.

- Savon et eau ou nettoyant non abrasif.
- Chiffon humide ou tampon non abrasif.

Protecteur anti-déversement avant et plateau ramasse-gouttes

Laisser la table de cuisson refroidir complètement avant le nettoyage.

- Savon et eau ou nettoyant non abrasif.
- Chiffon humide ou tampon non abrasif.

Bassin du module

- Eau tiède savonneuse.
- Tampon non abrasif ou éponge.
- Pour des saletés intenses, tremper des essuie-tout dans un nettoyant ménager et les étendre sur les saletés pendant au moins une demi-heure ou plus. Après le trempage, frotter avec un tampon non abrasif.

MODULE DE LA PLAQUE À FRIRE

Nettoyer la plaque à frire peu de temps après avoir ôté les aliments et éteint le brûleur.

- Utiliser une spatule métallique pour gratter les résidus vers le plateau ramasse-gouttes. Pour éviter d'endommager la surface, toujours frotter dans la direction des lignes du poli. Si nécessaire, frotter la surface de la plaque à frire avec un tampon non abrasif et un peu d'huile de cuisson ou utiliser un nettoyant de plaque à frire (non fourni avec cet appareil).
- Eau chaude savonneuse et/ou tampon à récurer doux en plastique.
- Après le nettoyage, sécher la surface avec un chiffon doux ou une éponge. Pour protéger le fini et prévenir la rouille, enduire toute la surface d'une légère couche d'huile de cuisson.

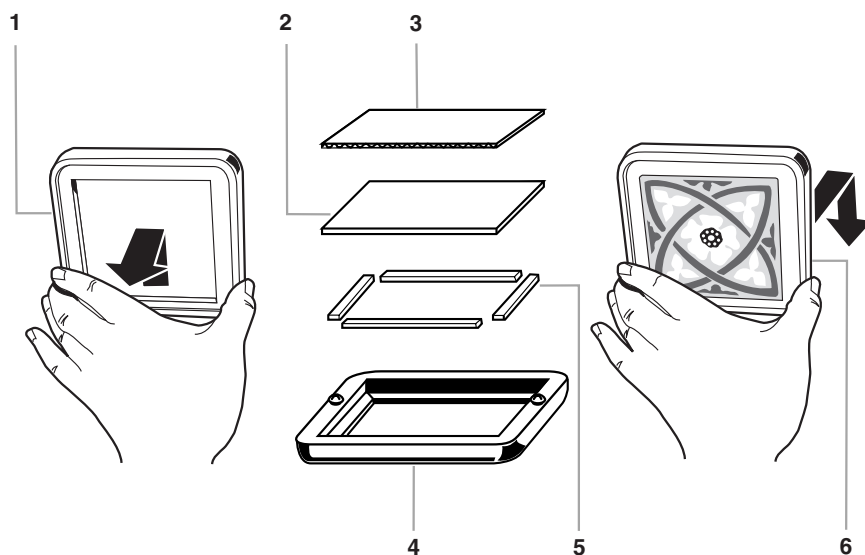
Plateau ramasse-gouttes et zone sous-jacente

Laisser la table de cuisson refroidir complètement avant le nettoyage.

- Savon et eau ou nettoyant non abrasif.
- Chiffon humide ou tampon non abrasif.

CARACTÉRISTIQUE DE L'ENCADREMENT À CARREAUX

La caractéristique de l'encadrement à carreaux permet d'insérer des carreaux décoratifs dans l'encadrement. Ceci vous permet d'agencer les carreaux dans l'encadrement avec ceux de votre cuisine. Pour commander des encadrements à carreaux supplémentaires, voir la section "Assistance ou service".



1. Ensemble de pré-encadrement
2. Carreau

3. Carton
4. Encadrement à carreaux

5. Ruban de mousse
6. Encadrement final

Insertion d'un carreau de 4¼ po (10,8 cm)

Avant d'insérer le carreau, sortir les encadrements à carreaux de la boîte d'accessoires et ôter l'emballage.

1. Enlever la pièce de carton carrée de l'intérieur de l'encadrement et la conserver.
2. Insérer le carreau dans l'encadrement, côté décoratif vers l'avant.
3. Selon l'épaisseur du carreau, utiliser le carton ou le ruban de mousse. L'une ou l'autre option nécessite que l'on enlève l'endos et que l'on fixe le carton ou le ruban de mousse sur le carreau.
Si le carton est utilisé, s'assurer de le centrer sur le carreau.
4. Réinstaller l'ensemble sur le tableau de commande en alignant les trous à l'arrière de l'encadrement avec les vis sur le tableau de commande et presser vers le bas jusqu'à ce qu'il soit bien en place.

Insertion d'un carreau de 3⅞ po (9,8 cm)

Avant d'insérer le carreau, sortir les encadrements à carreaux de la boîte d'accessoires et ôter l'emballage.

1. Enlever la pièce de carton carrée de l'intérieur de l'encadrement et la conserver.
2. Décoller l'endos du ruban de mousse et faire adhérer le ruban aux surfaces verticales internes de l'encadrement.
3. Insérer le carreau côté décoratif vers l'avant dans un coin de l'encadrement et exercer une pression qui comprimera le ruban de mousse et permettra à l'autre extrémité du carreau d'être mise en place.
4. Selon l'épaisseur du carreau, utiliser le carton ou le ruban de mousse. L'une ou l'autre option nécessite que l'on enlève l'endos et que l'on fixe le carton ou le ruban de mousse sur le carreau.
Si le carton est utilisé, s'assurer de le centrer sur le carreau.
5. Réinstaller l'ensemble sur le tableau de commande comme suit : aligner les trous à l'arrière de l'encadrement avec les vis sur le tableau de commande et presser vers le bas jusqu'à ce qu'il soit bien en place.

DÉPANNAGE

Essayer les solutions suggérées ici d'abord afin d'éviter le coût d'une visite de service non nécessaire.

Rien ne fonctionne

- **Un fusible est-il grillé ou le disjoncteur s'est-il ouvert?**
Remplacer le fusible ou remettre le disjoncteur en fonction.
-

Les brûleurs de surface ne fonctionnent pas

- **Est-ce la première fois que les brûleurs de surface sont utilisés?**
Allumer n'importe quel brûleur de surface pour libérer l'air des canalisations de gaz.
 - **Le bouton de commande est-il réglé correctement?**
Pousser sur le bouton avant de le tourner à un réglage.
 - **Les orifices des brûleurs sont-ils obstrués?**
Sur les modèles à brûleurs scellés, voir la section "Brûleurs de surface".
-

Les flammes des brûleurs de surface ne sont pas uniformes, sont de teinte jaune et/ou bruyantes

- **Les orifices des brûleurs sont-ils obstrués?**
Sur les modèles à brûleurs scellés, voir la section "Brûleurs de surface".
 - **Sur les modèles à chapeau, les chapeaux des brûleurs sont-ils bien installés?**
Voir la section "Brûleurs de surface".
 - **Le brûleur est-il endommagé?**
Sur les modèles à chapeaux, vérifier si le chapeau est déformé. Si le chapeau ne tourne pas librement sur une surface plate, côté peint vers le bas, le chapeau est gauchi. Permuter le chapeau avec un brûleur de surface différent pour vérifier s'il y a un autre gauchissement. Contacter un technicien de réparation qualifié.
 - **Utilise-t-on du gaz propane?**
L'appareil a peut-être été converti incorrectement. Contacter un technicien de réparation qualifié.
-

Le brûleur de surface fait de petits bruits

- **Le brûleur est-il mouillé?**
Le laisser sécher.
-

Le brûleur émet des étincelles, mais ne s'allume pas.

- **Y a-t-il une production continue d'étincelles sans que le brûleur ne s'allume?**
Discontinuer l'utilisation du brûleur de surface et contacter un technicien de service.
-

Chaleur excessive autour des ustensiles de cuisson sur la table de cuisson

- **L'ustensile de cuisson est-il de dimension appropriée?**
Utiliser un ustensile de cuisson à peu près de la même dimension que le brûleur, l'élément ou la surface de cuisson. L'ustensile de cuisson ne doit pas dépasser plus de 1 po (2,5 cm) hors de la surface de cuisson.
-

Les résultats de cuisson sur la table de cuisson ne sont pas les résultats prévus

- **Utilise-t-on un ustensile de cuisson approprié?**
Voir la section "Ustensiles de cuisson".
 - **Le bouton de commande est-il réglé au niveau approprié de chaleur?**
Voir la section "Commandes de la table de cuisson".
 - **L'appareil est-il d'aplomb?**
Niveler l'appareil. Voir les instructions d'installation.
-

Les résultats de cuisson avec le gril ou la plaque à frire ne sont pas ce qui était prévu.

- **Le gril ou la plaque à frire a-t-il(elle) été préchauffé(e)?**
Préchauffer le gril ou la plaque à frire. Voir les sections "Gril" ou "Plaque à frire" pour plus de renseignements.
 - **Existe-t-il une circulation d'air appropriée autour des aliments?**
Espacer les aliments uniformément sur les grilles du gril.
 - **La cuisson des aliments prend-elle trop de temps?**
Les aliments partiellement congelés ou très froids augmenteront la durée de cuisson. Décongeler complètement les aliments.
-

ASSISTANCE OU SERVICE

Avant de faire un appel pour assistance ou service, consulter la section “Dépannage”. Ceci peut vous faire économiser le coût d’une visite de service. Si vous avez encore besoin d’aide, suivre les instructions ci-dessous.

Lors d’un appel, veuillez connaître la date d’achat, le numéro de modèle et le numéro de série au complet de l’appareil. Ces renseignements nous aideront à mieux répondre à votre demande.

Si vous avez besoin de pièces de rechange

Si vous avez besoin de commander des pièces de rechange, nous vous recommandons d’employer uniquement des pièces spécifiées par le fabricant. Les pièces spécifiées par le fabricant conviendront bien parce qu’elles sont fabriquées avec la même précision que celle utilisée dans la fabrication de chaque nouvel appareil KITCHENAID®.

Pour obtenir des pièces spécifiées par le fabricant dans votre région, composer le numéro de téléphone de notre Centre d’interaction avec la clientèle ou avec le centre de service désigné de KitchenAid le plus proche.

Pour des questions relatives aux produits, veuillez appeler sans frais le Centre d’interaction avec la clientèle de KitchenAid Canada au :

1-800-461-5681 du lundi au vendredi - de 8 h 00 à 18 h 00 (HNE).
Le samedi - de 8 h 30 à 16 h 30 (HNE).

Nos consultants vous renseigneront sur les sujets suivants :

- Caractéristiques et spécifications sur toute notre gamme d’appareils électroménagers.
- Références aux marchands locaux.

Pour pièces, accessoires et service

Composer le **1-800-807-6777**. Les techniciens de service désignés par KitchenAid Canada sont formés pour remplir la garantie des produits et fournir un service après la garantie, partout au Canada.

Pour plus d’assistance

Si vous avez besoin de plus d’assistance, vous pouvez soumettre par écrit toute question ou préoccupation à KitchenAid Canada à l’adresse suivante :

Centre d’interaction avec la clientèle
KitchenAid Canada
1901 Minnesota Court
Mississauga, Ontario L5N 3A7

Veuillez inclure dans votre correspondance un numéro de téléphone où on peut vous joindre le jour.

GARANTIE DE TABLE DE CUISSON, FOUR ENCASTRÉ ET CUISINIÈRE KITCHENAID®

GARANTIE COMPLÈTE DE UN AN

Pendant un an à partir de la date d'achat, lorsque cet appareil ménager est utilisé et entretenu conformément aux instructions fournies avec le produit, KitchenAid paiera pour les pièces spécifiées par le fabricant et la main-d'oeuvre pour la correction des vices de matériaux ou de fabrication. Les réparations doivent être effectuées par un établissement de service désigné par KitchenAid.

GARANTIE LIMITÉE DE LA DEUXIÈME À LA CINQUIÈME ANNÉE INCLUSIVEMENT SUR LES ÉLÉMENTS ÉLECTRIQUES, TABLE DE CUISSON EN VITROCÉRAMIQUE, BRÛLEURS À GAZ ET SYSTÈME DE COMMANDES TRANSISTORISÉES

Sur les cuisinières et tables de cuisson électriques, de la deuxième à la cinquième année inclusivement à partir de la date d'achat, lorsque cet appareil ménager est utilisé et entretenu conformément aux instructions fournies avec le produit, KitchenAid paiera pour les pièces spécifiées par le fabricant pour tout élément électrique pour la correction des vices de matériaux ou de fabrication.

Sur les cuisinières et tables de cuisson en vitrocéramique, de la deuxième à la cinquième année inclusivement à partir de la date d'achat lorsque cet appareil ménager est utilisé et entretenu conformément aux instructions fournies avec le produit, KitchenAid paiera pour les pièces spécifiées par le fabricant pour la table de cuisson en vitrocéramique. KitchenAid garantit que la table de cuisson en vitrocéramique ne subira pas de décoloration, que le motif sur la table de cuisson ne s'effacera pas par usure, que le joint en caoutchouc entre la table de cuisson en vitrocéramique et le bord en porcelaine ne se fendra pas, que la surface de cuisson en vitrocéramique ne se fendra pas à cause d'un choc thermique et que les éléments de surface ne brûleront pas.

Sur les cuisinières et tables de cuisson à gaz, de la deuxième à la cinquième année inclusivement à partir de la date d'achat, lorsque cet appareil ménager est utilisé et entretenu conformément aux instructions fournies avec le produit, KitchenAid paiera pour les pièces spécifiées par le fabricant pour tout brûleur à gaz pour la correction des vices de matériaux ou de fabrication.

Sur les cuisinières et fours encastrés, de la deuxième à la cinquième année inclusivement à partir de la date d'achat, lorsque cet appareil ménager est utilisé et entretenu conformément aux instructions fournies avec le produit, KitchenAid paiera pour les pièces spécifiées par le fabricant pour la cavité du four et l'intérieur de la porte en porcelaine si la pièce rouille par suite de vices de matériaux et de fabrication. KitchenAid paiera pour les pièces spécifiées par le fabricant pour le système de commandes transistorisées et le tube magnétron dans les fours combinés, pour corriger les vices de matériaux et de fabrication.

GARANTIE LIMITÉE DE LA SIXIÈME À LA DIXIÈME ANNÉE INCLUSIVEMENT SUR LA CAVITÉ DU FOUR ET L'INTÉRIEUR DE LA PORTE EN PORCELAINES SUR LES CUISINIÈRES ET FOURS ENCASTRÉS

Sur les cuisinières et fours encastrés seulement, de la sixième à la dixième année inclusivement lorsque cet appareil ménager est utilisé et entretenu conformément aux instructions fournies avec le produit, KitchenAid paiera pour les pièces spécifiées par le fabricant pour la cavité du four et l'intérieur de la porte si la pièce rouille par suite de vices de matériaux ou de fabrication.

KitchenAid ne paiera pas pour :

1. Les visites de service pour rectifier l'installation de votre appareil ménager, montrer à l'utilisateur comment utiliser l'appareil ou remplacer des fusibles, rectifier le câblage électrique du domicile ou remplacer des ampoules d'éclairage.
2. Les réparations lorsque l'appareil est utilisé à des fins autres que l'usage unifamilial normal.
3. Le ramassage et la livraison. Votre appareil ménager est conçu pour être réparé à domicile.
4. Les dommages imputables à : accident, modification, mésusage, abus, incendie, inondation, mauvaise installation, actes de Dieu, ou utilisation de produits non approuvés par KitchenAid Canada.
5. Les réparations aux pièces ou systèmes résultant de modifications non autorisées faites à l'appareil.
6. Le coût des pièces de rechange ou de la main-d'oeuvre de réparation pour les appareils utilisés en dehors du Canada.
7. Les frais de voyage ou de transport pour les clients qui habitent dans des régions éloignées.
8. Tous frais de main-d'oeuvre au cours des périodes de garanties limitées.

KITCHENAID ET KITCHENAID CANADA DÉCLINE TOUTE RESPONSABILITÉ AU TITRE DE DOMMAGES SECONDAIRES OU INDIRECTS.

Certains États ou certaines provinces ne permettent pas l'exclusion ou la limitation des dommages secondaires ou indirects : par conséquent, cette exclusion ou limitation peut ne pas s'appliquer dans votre cas. Cette garantie vous donne des droits juridiques spécifiques, et vous pouvez aussi avoir d'autres droits qui varient d'un État à un autre ou d'une province à une autre.

À l'extérieur du Canada et des 50 États des États-Unis, cette garantie ne s'applique pas. Contactez votre marchand KitchenAid autorisé pour déterminer si une autre garantie s'applique.

Si vous avez besoin de service, voir d'abord la section "Dépannage" de ce manuel. Après avoir vérifié la section "Dépannage", une aide additionnelle peut être trouvée en vérifiant la section "Assistance ou Service" ou en téléphonant au centre d'interaction avec la clientèle KitchenAid au **1-800-422-1230** (sans frais) de n'importe où aux États-Unis. Au Canada, contactez votre compagnie de service désignée par KitchenAid ou composez le **1-800-807-6777**.

4/01

Conservez ce manuel et votre reçu de vente ensemble pour référence ultérieure. Pour le service sous garantie, vous devez présenter un document prouvant la date d'achat ou d'installation.

Inscrivez les renseignements suivants au sujet de votre appareil pour mieux obtenir assistance ou service en cas de besoin. Vous devrez connaître les numéros complets de modèle et de série. Cette information est donnée sur la plaque signalétique des numéros de modèle et de série, située sur votre appareil tel qu'indiqué dans la section "Pièces et caractéristiques".

Nom du marchand _____

Adresse _____

Numéro de téléphone _____

Numéro de modèle _____

Numéro de série _____

Date d'achat _____

4456610

© 2003. All rights reserved.
Tous droits réservés.

® Registered Trademark/TM Trademark of KitchenAid, U.S.A., KitchenAid Canada licensee in Canada
® Marque déposée/TM Marque de commerce de KitchenAid, U.S.A., Emploi licencié par KitchenAid Canada au Canada

8/03
Printed in U.S.A.
Imprimé aux É.-U.