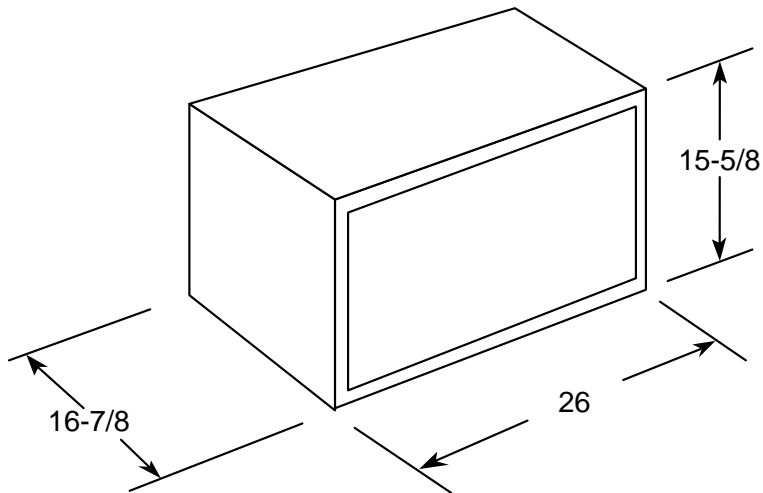




GE Appliances

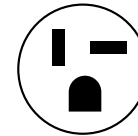
AJHS08DC—"J Series" Heat Pump

Wall Case Dimensions (in inches)



Note: When installing units in through-the-wall applications. Do not restrict air flow areas.

Perpendicular



230/208V
20 Amp

For answers to your Monogram,[®]GE Profile Performance Series,[™] GE Profile,[™] GE, Hotpoint and RCA appliance questions, call GE Answer Center[®] service, 800.626.2000.



Total capacity and E.E.R. ratings are calculated based on the Association of Home Appliance Manufacturers' standards.



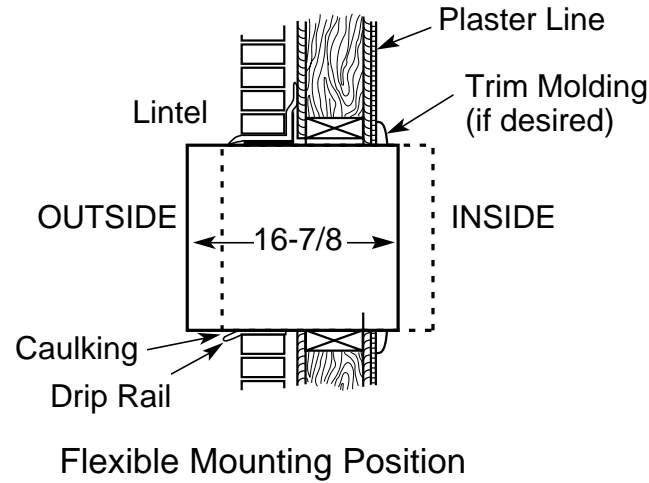
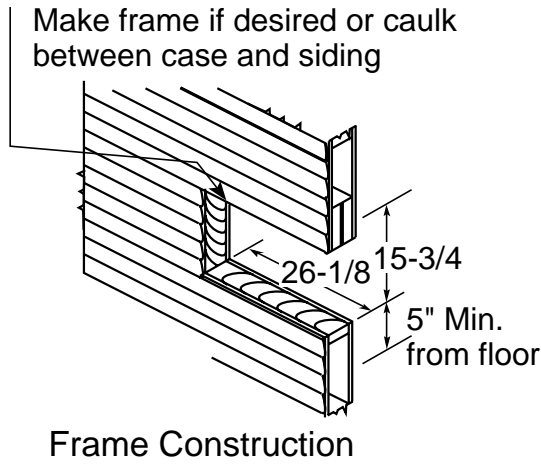
Listed by Underwriters Laboratories



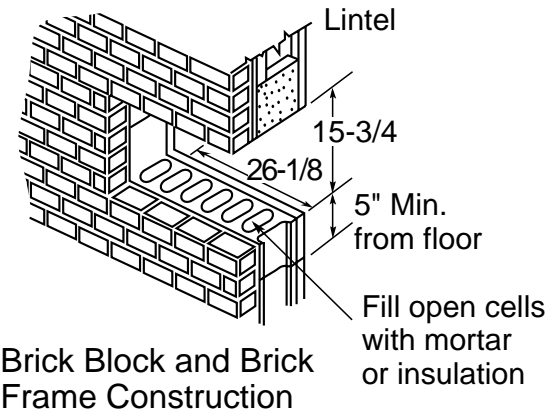
GE Appliances

AJHS08DC—"J Series" Heat Pump

Dimensions (in inches)



Installation Information: A finished opening of 26-1/8" x 15-3/4" clear of intrusions is required. Keep clearance of 4" from side walls. Brick veneer or frame walls should have wood studding surrounding case to provide firm anchoring with screws. Case can be fastened directly to brick or block walls with screws sunk in lead expansion shields.



For answers to your Monogram,[®] GE Profile Performance Series,[™] GE Profile,[™] GE, Hotpoint and RCA appliance questions, call GE Answer Center[®] service, 800.626.2000.



Total capacity and E.E.R. ratings are calculated based on the Association of Home Appliance Manufacturers' standards.



Listed by Underwriters Laboratories



GE Appliances

AJHS08DC—"J Series" Heat Pump

Features and Benefits

- Decorative Warm Gray-Beige Front
- 8,000/7,800 BTUH (Cooling), 7,700/7,500 BTUH (Reverse Cycle Heating), 11,600/9,500 BTUH (Electric Resistance Heating), 9.2/9.2 E.E.R., 230/208 Volts
- Fan Cycle Switch for Reduced Energy Consumption
- Variable Setting Thermostat
- 2 Cooling/2 Heat/2 Fan Speeds
- Includes Two-Stage Heating Thermostat
- Slide-Out Filter for Easy Cleaning
- Exhaust for Air Exchange
- Slide-Out Chassis
- Chassis Only—Without Wall Case and Mounting Kit
- Wall Case—Optional Accessory (RAB46/47/48)
- Window Mounting Kit—Optional Accessory
- Plug Type—Perpendicular