

*Frigidaire*

## Factory Parts Catalog

|               |               |
|---------------|---------------|
| Product No.   | FAC084N7A2    |
| Series        | Compact II    |
| Volts         | 115           |
| BTU-Cooling   | 8000          |
| Owner's Guide | 2202039823    |
| Market        | North America |

 **Electrolux**

ELECTROLUX HOME PRODUCTS, INC.  
P.O. Box 212378, Augusta, GA 30917

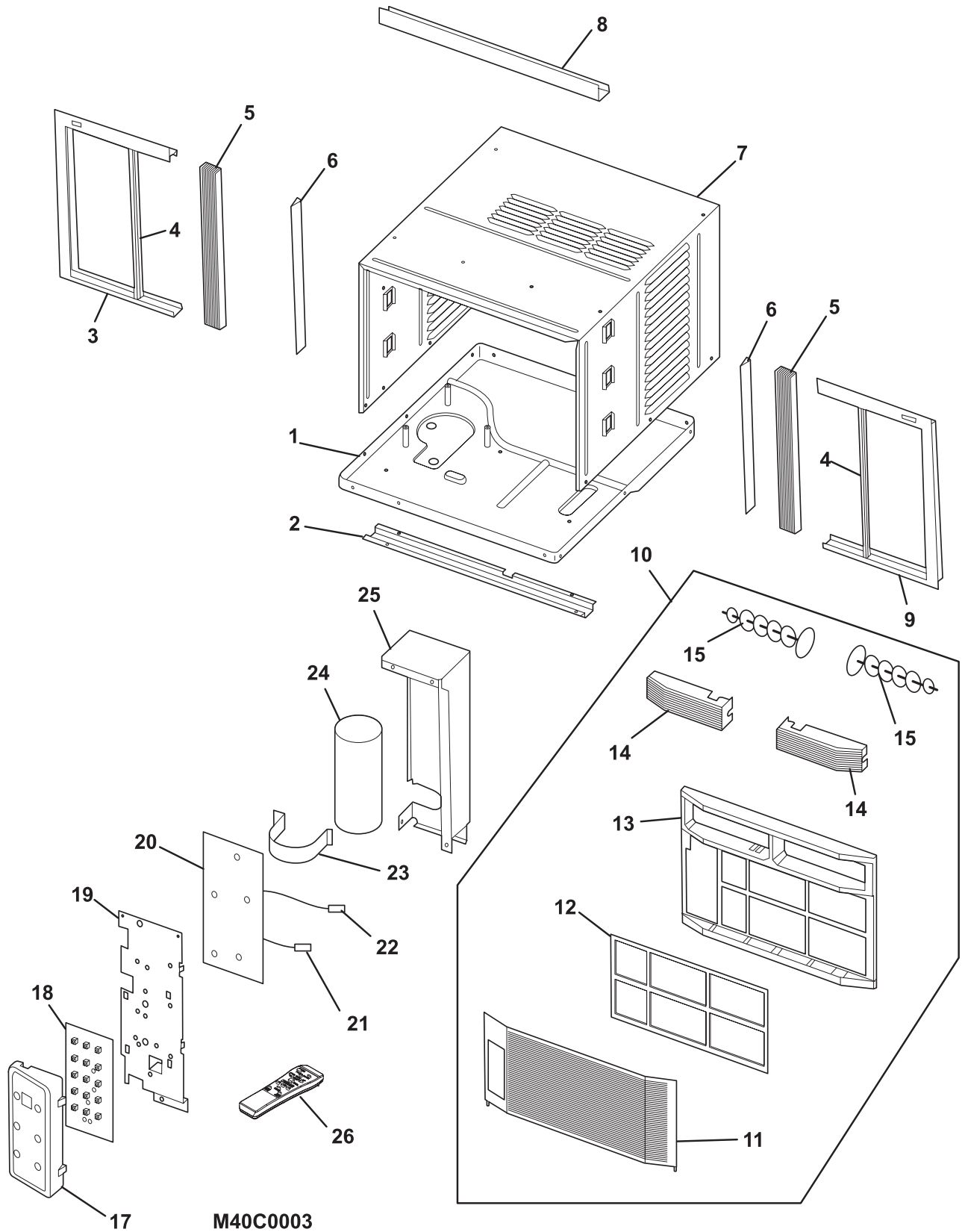
Publication No.  
**5995415873**  
04/08/31  
(EN/SERVICE/KC)  
099

**ROOM AIR  
CONDITIONER**

Model No.  
**FAC084N7A**

Copyright © 2004 Electrolux Home Products, Inc.  
All rights reserved.

**CABINET, FRONT, CONTROLS**



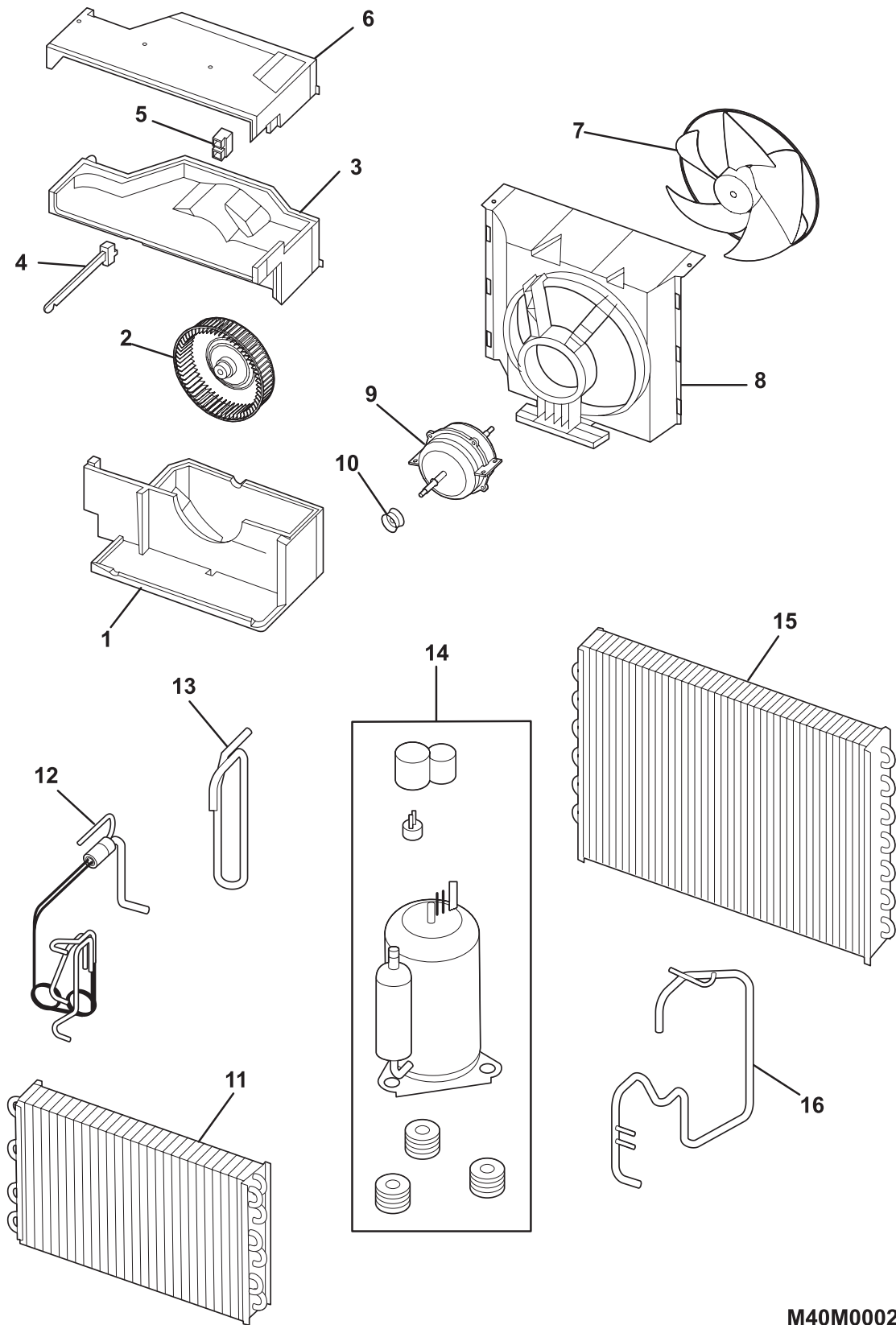
---

**CABINET, FRONT, CONTROLS**


---

| POS. NO | PART NO.   | DESCRIPTION                              |
|---------|------------|--|
| 1       | 5304436522 | Base, unit chassis                       |
| 2       | 5304436523 | Rail, shutter track, bottom              |
| 3       | 5304436544 | Frame, shutter panel, LH                 |
| 4       | 5304436545 | Retainer, shutter lock                   |
| 5       | 5304436546 | Shutter, accordion panel                 |
| 6       | 5304436547 | Retainer, shutter mount, cabinet sides   |
| 7       | 5304436548 | Cabinet, wrapper/sleeve                  |
| 8       | 5304436549 | Rail, shutter track, top                 |
| 9       | 5304436550 | Frame, shutter panel, RH                 |
| 10      | 5304436599 | Front Assembly, complete panel, includes |
| 11      | 5304436551 | Panel, front grille, tilt-out            |
| 12      | 5304436552 | Filter, air, plastic frame               |
| 13      | 5304436553 | Frame, front assembly                    |
| 14      | 5304436554 | Louver, horizontal                       |
| 15      | 5304436555 | Louver, vertical                         |
| 17      | 5304436536 | Enclosure, control, pcb display          |
| 17      | 5304436537 | Control Panel, display, electronic       |
| 18 #    | 5304436534 | PC Board, display/input                  |
| 19      | 5304436533 | Panel, ctrl mtg board                    |
| 20 #    | 5304436531 | PC Board, control/power                  |
| 21 #    | 5304436543 | Sensor, ambient temp                     |
| 22 #    | 5304436542 | Sensor, evap temp, defrost               |
| 23      | 5304436530 | Strap, capacitor mtg.                    |
| 24 #    | 5304436528 | Capacitor                                |
| 25      | 5304436524 | Control Box                              |
| 26 #    | 5304436595 | Remote Control, transmitter              |

**COOLING & AIR FLOW SYSTEMS**



**M40M002**

---

**COOLING & AIR FLOW SYSTEMS**


---

| POS. NO | PART NO.   | DESCRIPTION                                  |
|---------|------------|--|
| 1       | 5304436556 | Scroll, blower housing, bottom, w/drain tray |
| 2 #     | 5304436557 | Blower Wheel, centrifugal fan                |
| 3       | 5304436559 | Scroll, blower housing, top                  |
| 4       | 5304436558 | Door, fresh air vent, with lever             |
| 5       | 5304436564 | Guide, vent door/lever                       |
| 6       | 5304436565 | Cover, blower scroll, top                    |
| 7 #     | 5304436563 | Fan Blade, propeller, axial flow             |
| 8 #     | 5304436562 | Shroud, fan housing                          |
| 9 #     | 5304442198 | Motor, fan                                   |
| 10      | 5304436560 | Seal, fan motor, rubber ring, water proof    |
| 11 #    | 5304436567 | Evaporator                                   |
| 12 #    | 5304436583 | Capillary Tube, assy w/strainer              |
| 13 #    | 5304436577 | Discharge Tube                               |
| 14 #    | 5304437077 | Compressor Assy                              |
| 15 #    | 5304436573 | Condenser                                    |
| 16 #    | 5304437100 | Suction Tube                                 |

**WIRING DIAGRAM**

