

Frigidaire

Factory Parts Catalog

Product No.	FAC126N1A1
Series	Compact II
Volts	115
BTU-Cooling	12000
Owner's Guide	2202039823
Market	North America

 **Electrolux**

ELECTROLUX HOME PRODUCTS, INC.
P.O. Box 212378, Augusta, GA 30917

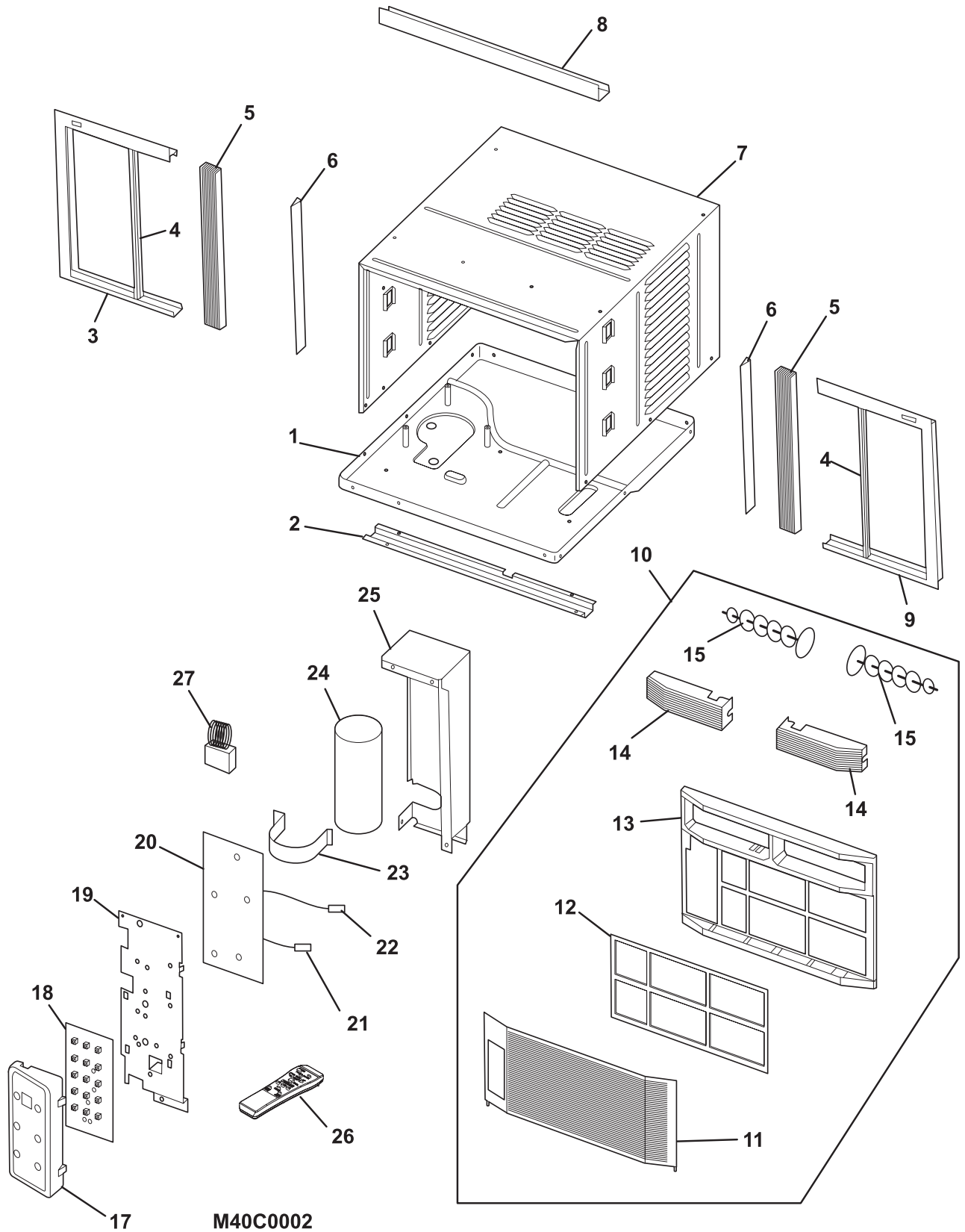
Publication No.
5995405981
04/03/30
(EN/SERVICE/KC)
099

**ROOM AIR
CONDITIONER**

Model No.
FAC126N1A

Copyright © 2004 Electrolux Home Products, Inc.
All rights reserved.

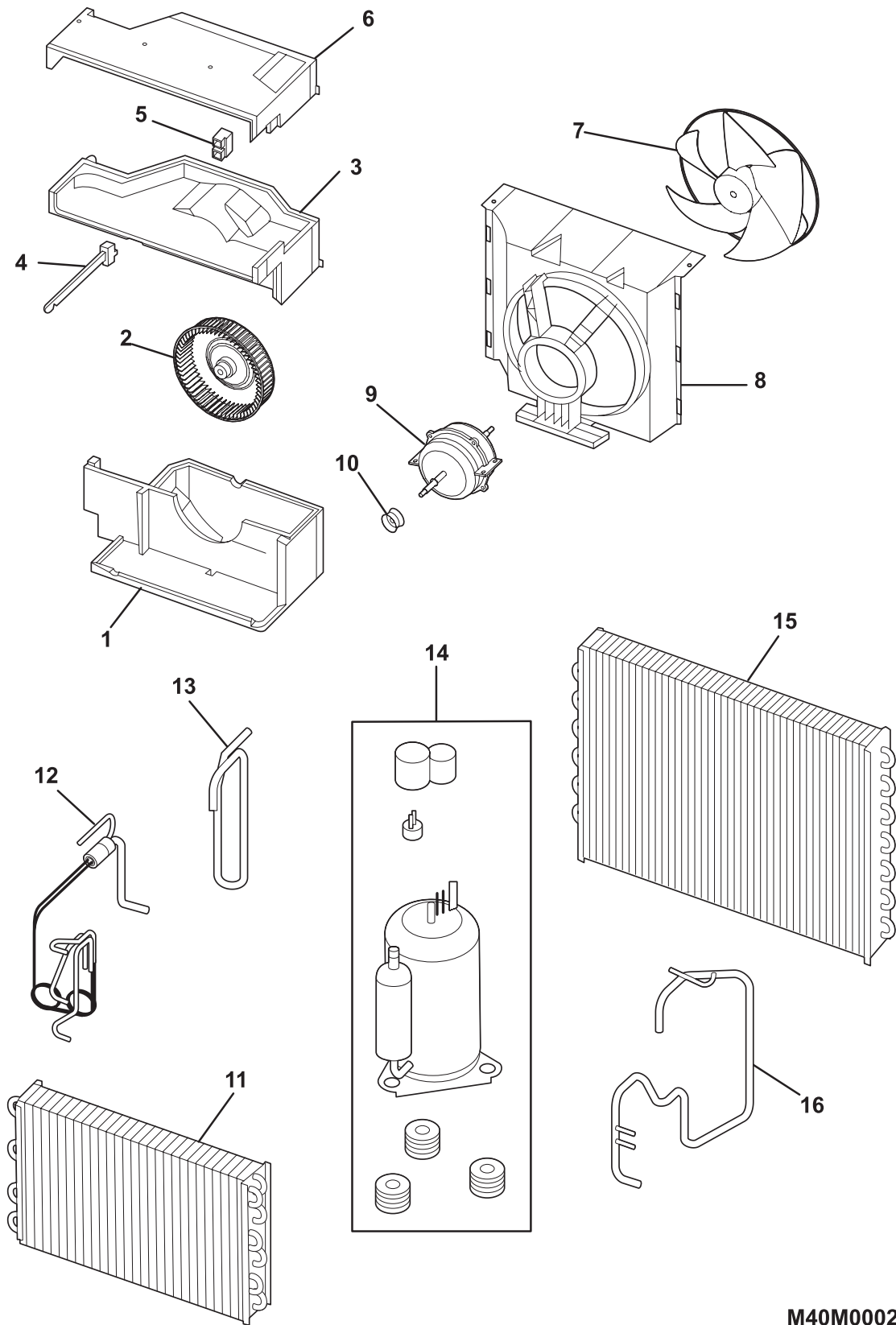
CABINET, FRONT, CONTROLS



CABINET, FRONT, CONTROLS

POS. NO	PART NO.	DESCRIPTION
1	5304436521	Base, unit chassis
2	5304436523	Rail, shutter track, bottom
3	5304436544	Frame, shutter panel, LH
4	5304436545	Retainer, shutter lock
5	5304436546	Shutter, accordian panel
6	5304436547	Retainer, shutter mount, cabinet sides
7	5304436548	Cabinet, wrapper/sleeve
8	5304436549	Rail, shutter track, top
9	5304436550	Frame, shutter panel, RH
10	5304436600	Front Assembly, complete panel, includes
11	5304436551	Panel, front grille, tilt-out
12	5304436552	Filter, air, plastic frame
13	5304436553	Frame, front assembly
14	5304436554	Louver, horizontal
15	5304436555	Louver, vertical
17	5304436536	Enclosure, control, pcb display
17	5304436538	Control Panel, display, electronic
18 #	5304436535	PC Board, display/input
19	5304436533	Panel, ctrl mtg board
20 #	5304436532	PC Board, control/power
21 #	5304436543	Sensor, ambient temp
22 #	5304436542	Sensor, evap temp, defrost
23	5304436530	Strap, capacitor mtg.
24 #	5304436526	Capacitor
25	5304436524	Control Box
26 #	5304436596	Remote Control, transmitter
27 #	5304436529	Ionizer

COOLING & AIR FLOW SYSTEMS



M40M002

COOLING & AIR FLOW SYSTEMS

POS. NO	PART NO.	DESCRIPTION
1	5304436556	Scroll, blower housing, bottom, w/drain tray
2 #	5304436557	Blower Wheel, centrifugal fan
3	5304436559	Scroll, blower housing, top
4	5304436558	Door, fresh air vent, with lever
5	5304436564	Guide, vent door/lever
6	5304436565	Cover, blower scroll, top
7 #	5304436563	Fan Blade, propeller, axial flow
8 #	5304436562	Shroud, fan housing
9 #	5304436561	Motor, fan
10	5304436560	Seal, fan motor, rubber ring, water proof
11 #	5304436566	Evaporator
12 #	5304436580	Capillary Tube, assy w/strainer
13 #	5304436575	Discharge Tube
14 #	5304437080	Compressor Assy, <u>Note</u> : Includes overload, wiring cover, and mounting grommets
15 #	5304436572	Condenser
16 #	5304436569	Suction Tube

WIRING DIAGRAM

