

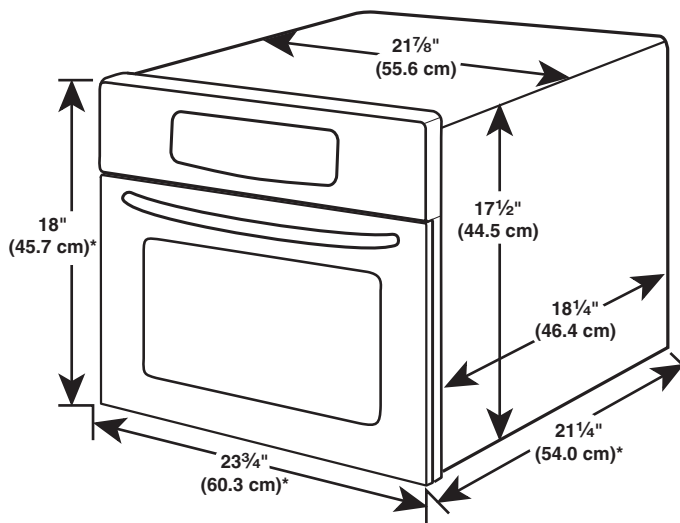
KitchenAid® 24", 27" and 30" Built-in Microwave Oven

PRODUCT MODEL SERIES

KBMS1454R

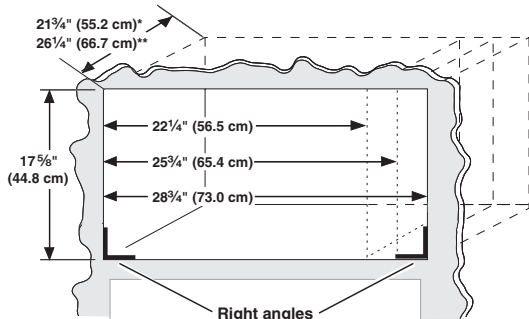
Electrical: A 120 Volt, 60 Hz, AC only, 15- or 20-amp fused electrical supply (or circuit breaker) is required. (A time-delay fuse or circuit breaker is recommended.) It is recommended that a separate circuit serving only this appliance be provided.

OVERALL DIMENSIONS



*Measurements include front facing of microwave oven. Depth measurement also includes door handle.

CABINET OPENING DIMENSIONS



*With flush receptacle, or with non-flush receptacle located in upper right or upper left corner of cutout.

**With non-flush receptacle.

DIM.	24" (61.0 CM) INSTALLATION	27" (68.6 CM) INSTALLATION	30" (76.2 CM) INSTALLATION
Width	22 1/4" (56.5 cm) ± 3/16" (4.8 mm)	25 3/4" (65.4 cm) ± 3/16" (4.8 mm)	28 3/4" (73.0 cm) ± 3/16" (4.8 mm)
Height	17 5/8" (44.8 cm) for all installations		
Depth	21 3/4" (55.2 cm) with flush receptacle, or with non-flush receptacle located in far corner; 26 1/4" (66.7 cm) with non-flush receptacle		

MINIMUM INSTALLATION CLEARANCES

