



Frigidaire

Factory Parts Catalog

| | | | |
|---------------------------|------------|-----------------|------------|
| Product No. | CFMV156DBC | CFMV156DCD | CFMV156DSC |
| Market | Canada | Canada | Canada |
| Color | black | stainless steel | white |
| Volts | 120 | 120 | 120 |
| Watts | 950 | 950 | 950 |
| Wiring Diagram | 5995511317 | 5995511317 | 5995511317 |
| Owner's Guide | 316137230 | 316137230 | 316137230 |
| Installation Instructions | 316137333 | 316137233 | 316137233 |



Electrolux Major Appliances
 North & Latin America
 5855 TERRY FOX WAY
 MISSISSAUGA, ONTARIO, CANADA L5V
 3E4

Publication No.
5995511317
 08/04/09
 (EN/SERVICE/KC)
 099

**OVER-RANGE
 MICROWAVE**

Model No.
CFMV156D

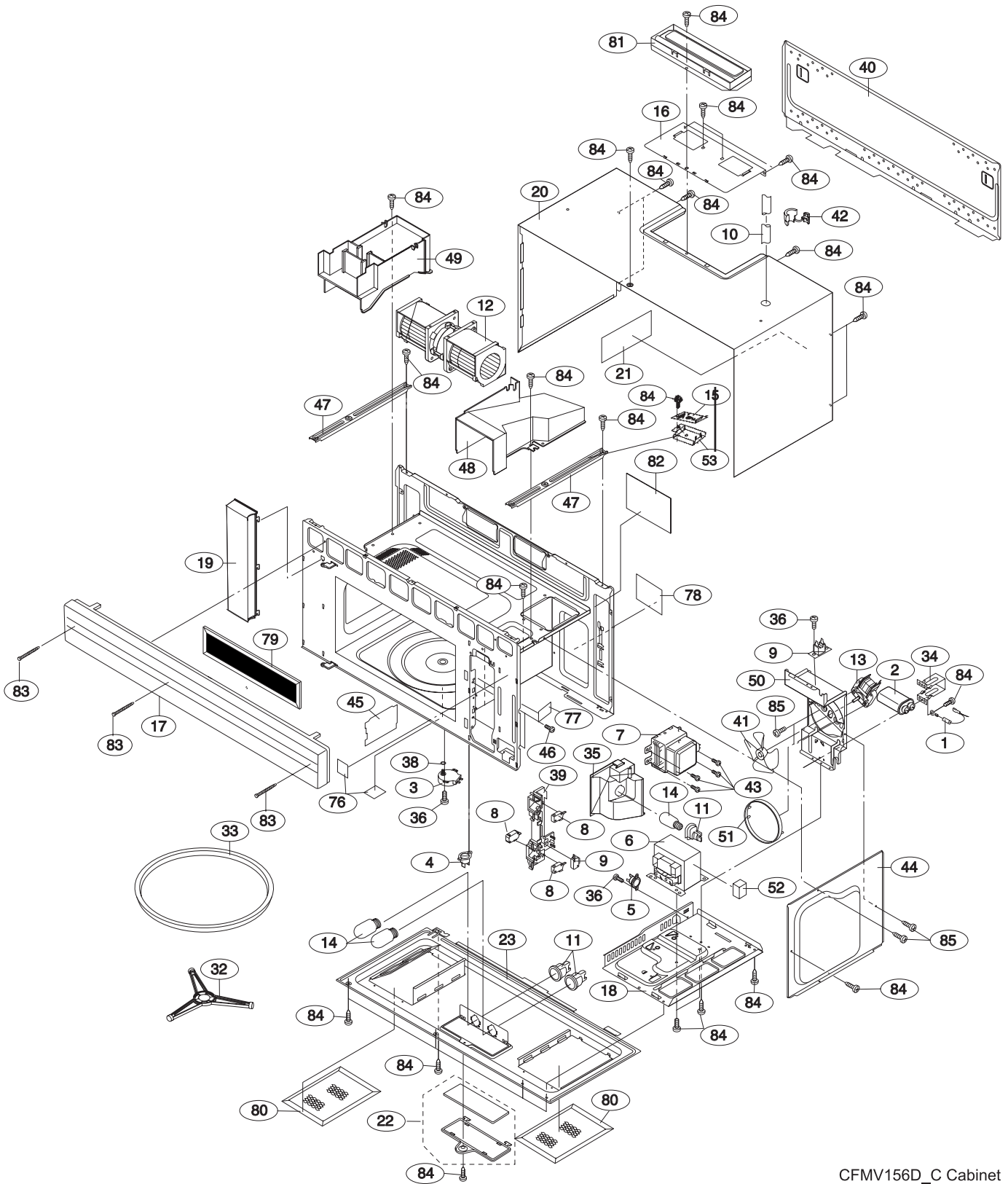
Copyright © 2008 Electrolux Home Products, Inc.
 All rights reserved.

OVEN,CABINET

Model Index: A CFMV156D (CFMV156DBC)
 B CFMV156D (CFMV156DCD)
 C CFMV156D (CFMV156DSC)

| POS. NO | PART NO. | | DESCRIPTION |
|---------|------------|-------|-----------------------------------|
| 1 # | 5304461263 | A B C | Rectifier, high voltage |
| 2 # | 5304441903 | A B C | Capacitor, high voltage |
| 3 # | 5304448488 | A B C | Motor, turntable |
| 4 # | 5304440032 | A B C | Thermal Cutout, oven cavity |
| 5 # | 5304440023 | A B C | Thermal Cutout, hood |
| 6 # | 5304461585 | A B C | Transformer, power |
| 7 # | 5304448849 | A B C | Magnetron |
| 8 # | 5304440026 | A B C | Switch, interlock, door sensor |
| 9 # | 5304440027 | A B C | Switch Kit, monitor, with CT fuse |
| 10 # | 5304440028 | A B C | Power Cord, electric |
| 11 # | 5303319561 | A B C | Receptacle, lamp socket, oven |
| 12 # | 5304441847 | A B C | Motor, hood fan |
| 13 # | 5304441848 | A B C | Motor, cooling fan |
| 14 | 5304440031 | A B C | Lamp, incandescent, 20 W, (3) |
| 15 # | 5303322968 | A B C | Filter, noise, electronic |
| 16 | 5304441849 | A B C | Plate, rear stay |
| 17 | 5304458567 | A B - | Grille, exhaust louver, black |
| 17 | 5304461264 | - - C | Grille, exhaust louver, white |
| 18 | 5304461266 | A B C | Base, transformer, right side |
| 19 | 5304451942 | A - - | Panel, front trim, black, LS |
| 19 | 5304448841 | - B - | Panel, front trim, stainless, LS |
| 19 | 5304441857 | - - C | Panel, front trim, white, LS |
| 20 | 5304441858 | A B - | Cabinet, outer casing, black |
| 20 | 5304441860 | - - C | Cabinet, outer casing, white |
| 21 | 5304441905 | A B C | Wiring Diagram, schematic |
| 22 | 5303319573 | A B - | Lens/Frame Assy, lamp |
| 22 | 5304458209 | - - C | Lens/Frame Assy, lamp, white |
| 23 | 5304451815 | A B - | Cover, unit base, black |
| 23 | 5304451816 | - - C | Cover, unit base, white |
| 32 | 5304440284 | A B C | Support Assy, turntable |
| 33 | 5304441872 | A B C | Tray, turntable, glass |
| 34 | 5304441873 | A B C | Retainer, capacitor strap |
| 35 | 5304441874 | A B C | Duct, magnetron |
| 36 | 5304453725 | A B C | Screw, 3mm x 8mm |
| 38 | 5304440288 | A B C | Bushing, motor shaft, turntable |
| 39 | 5304440289 | A B C | Latch Hook |
| 40 | 5304461267 | A B C | Bracket, mounting plate, rear |
| 41 # | 5304440843 | A B C | Fan Blade, cooling fan |
| 42 | 5303319605 | A B C | Bushing, grommet, power cord |
| 43 | 5303319636 | A B C | Screw |
| 44 | 5304441876 | A B C | Duct, hood intake, right side |
| 45 | 5304440845 | A B C | Cover, waveguide |
| 46 | 5303319641 | A B C | Screw |
| 47 | 5304441877 | A B C | Support, chassis |
| 48 | 5304441878 | A B C | Duct, hood intake, right side |
| 49 | 5304441879 | A B C | Duct, exhaust hood, left side |
| 50 | 5304441880 | A B C | Duct, cooling fan |
| 51 | 5304441881 | A B C | Ring, fan orifice |

OVEN, CABINET



CFMV156D_C Cabinet

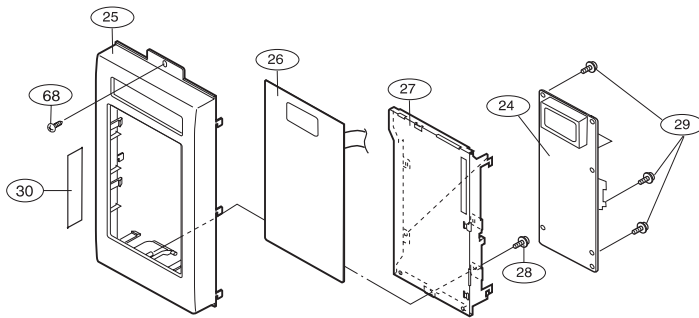
OVEN,CABINET

Model Index: A CFMV156D (CFMV156DBC)
 B CFMV156D (CFMV156DCD)
 C CFMV156D (CFMV156DSC)

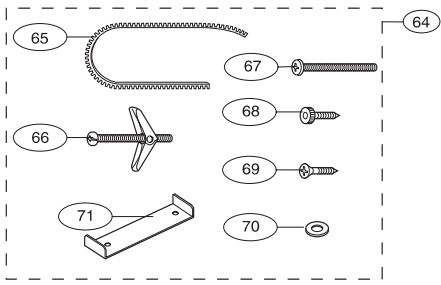
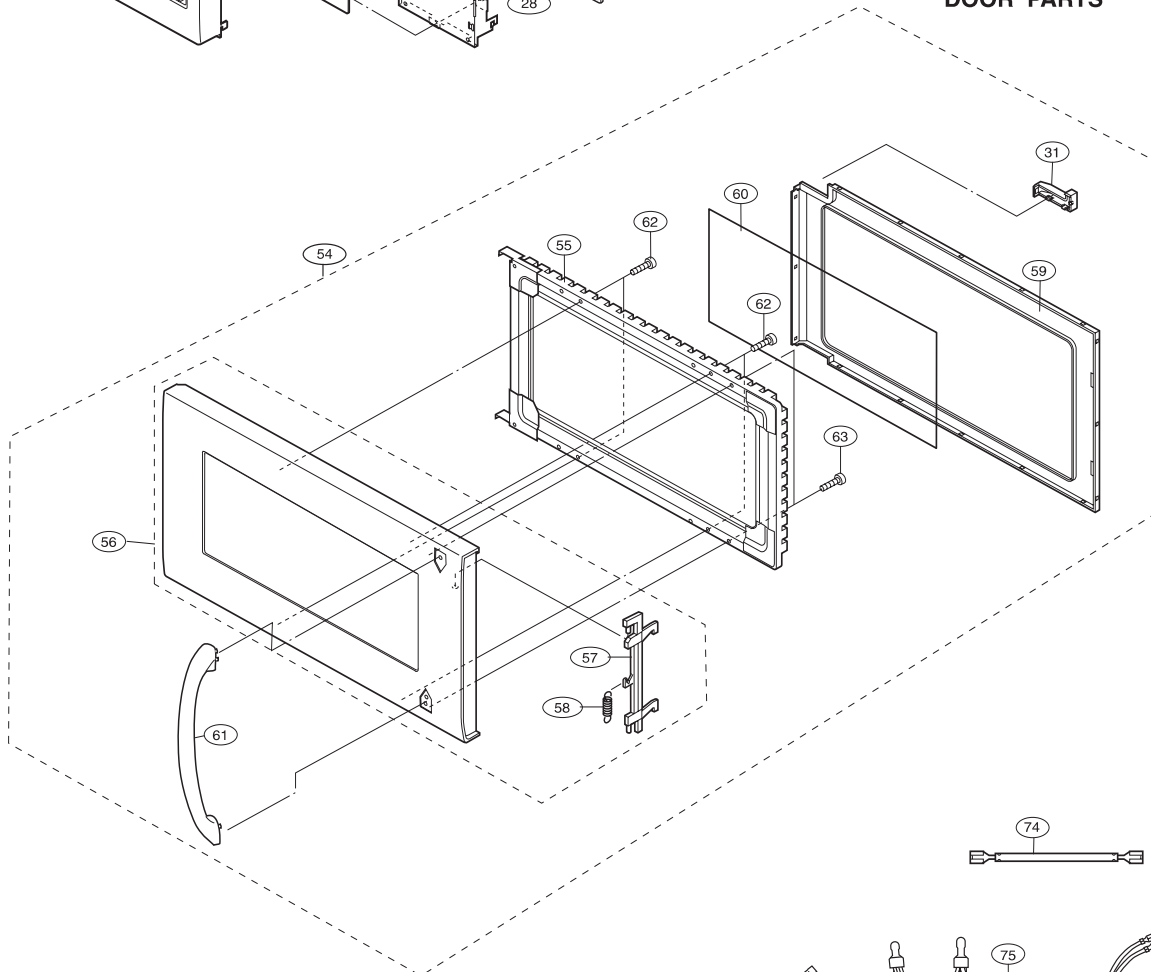
| POS. NO | PART NO. | | DESCRIPTION |
|---------|------------|-------|----------------------------------|
| 52 | 5304441882 | A B C | Cushion, transformer pad |
| 53 | 5303322975 | A B C | Bracket, noise filter, angle |
| 76 | 5304441900 | A B C | Label, Caution-DHHS |
| 77 | 5304440334 | A B C | Label, Caution-monitor |
| 78 | 5304440333 | A B C | Label, Caution-DHHS |
| 79 | 5304456425 | A B C | Filter, inside exhaust, charcoal |
| 80 | 5303319568 | A B C | Filter, grease, (2) |
| 81 | 5304440283 | A B C | Damper Assy, exhaust |
| 82 | 5304451533 | A B C | Label, NHW caution |
| 83 | 5303319640 | A B - | Screw, black |
| 83 | 5303319663 | - - C | Screw, white |
| 84 | 5304451553 | A B C | Screw, 4 mm x 12 mm |
| 85 | 5304450253 | A B C | Screw, 4 mm x 8 mm |

CONTROL PANEL, DOOR, MISC.

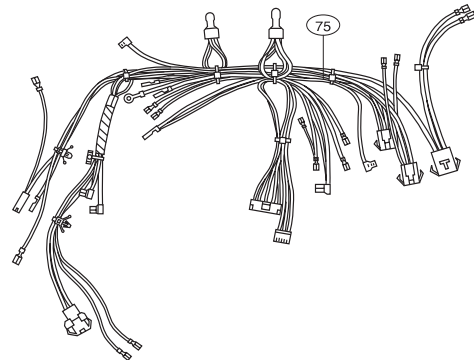
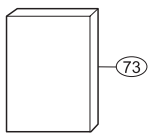
CONTROL PANEL PARTS



DOOR PARTS



MISCELLANEOUS



CFMV156D_C Controls

CONTROL PANEL,DOOR,MISC.

Model Index: A CFMV156D (CFMV156DBC)
 B CFMV156D (CFMV156DCD)
 C CFMV156D (CFMV156DSC)

| POS. NO | PART NO. | | DESCRIPTION |
|---------|------------|-------|--|
| 24 # | 5304441863 | A B C | Control Board, printed circuit |
| 25 | 5304450254 | A - - | Frame, control panel, black |
| 25 | 5304448513 | - B - | Frame, control panel, stainless steel |
| 25 | 5304441867 | - - C | Frame, control panel, white |
| 26 # | 5304441868 | A B - | Switch, touch pad, black |
| 26 # | 5304441870 | - - C | Switch, touch pad, white |
| 27 | 5304440281 | A B C | Panel, control mount |
| 28 | 5304458568 | A B C | Screw, 3 mm x 10 mm |
| 29 | 5304456930 | A B C | Screw, 3 mm x 10 mm |
| 30 | 5304440346 | A B C | Label, User Caution |
| 31 | 5304441871 | A B C | Door Stop |
| 54 | 5304455603 | A - - | Door Assy, black, w/handle |
| 54 | 5304447862 | - B - | Door Assy, stainless, w/handle |
| 54 | 5304461268 | - - C | Door Assy, white, w/handle |
| 55 | 5304441887 | A B - | Panel, inner door, black |
| 55 | 5304441889 | - - C | Panel, inner door, white |
| 56 | 5304461334 | A - - | Frame Assembly, door, black, w/glass & latch |
| 56 | 5304453721 | - B - | Frame Assembly, door, stainless, w/glass & latch |
| 56 | 5304461270 | - - C | Frame Assembly, door, white, w/glass & latch |
| 57 | 5304441893 | A B C | Latch, door |
| 58 | 5304440316 | A B C | Spring, door latch |
| 59 | 5304441894 | A B C | Frame, choke cover, inner door |
| 60 | 5304440860 | A B C | Seal, door, film |
| 61 | 5304440323 | A B - | Handle, door, black |
| 61 | 5304440324 | - - C | Handle, door, white |
| 62 | 5304451561 | A B C | Screw, 4 mm x 8 mm |
| 63 | 5304440326 | A B C | Screw, 4mm x 12mm |
| 64 | 5304461272 | A B C | Hardware, installation, kit |
| 65 | 5303318761 | A B C | Sleeve, power cord, grommet |
| 66 | 5303318762 | A B C | Screw, toggle |
| 67 | 5304453722 | A B C | Screw, 5mm x 60mm |
| 68 | 5304451553 | A B C | Screw, 4 mm x 12 mm |
| 69 | 5304453723 | A B C | Screw, 5mm x 35mm |
| 70 | 5304453724 | A B C | Washer |
| 71 | 5304441896 | A B C | Bracket, scale plate |
| 73 | 5304458571 | A B C | Template, installation, top/wall |
| 74 # | 5304441898 | A B C | Wire, high voltage-A |
| 75 # | 5304441907 | A B C | Wiring Harness, main |

WIRING SCHEMATIC

SCHMATIC
 NOTE: CONDITION OF OVEN
 1. DOOR CLOSED.
 2. CLOCK APPEARS ON DISPLAY.

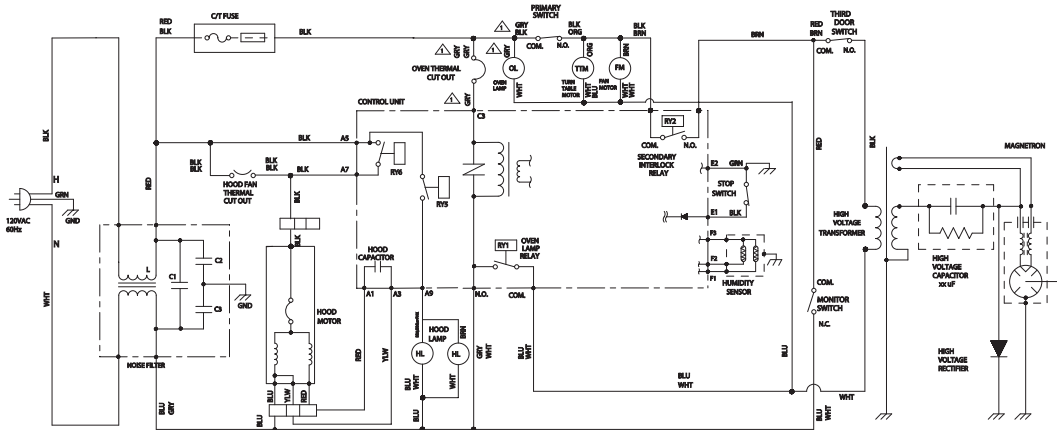


Figure O-1. Oven Schematic-Off Condition

SCHMATIC
 NOTE: CONDITION OF OVEN
 1. DOOR CLOSED.
 2. COOKING TIME PROGRAMMED.
 3. VARIABLE COOKING CONTROL "HIGH".

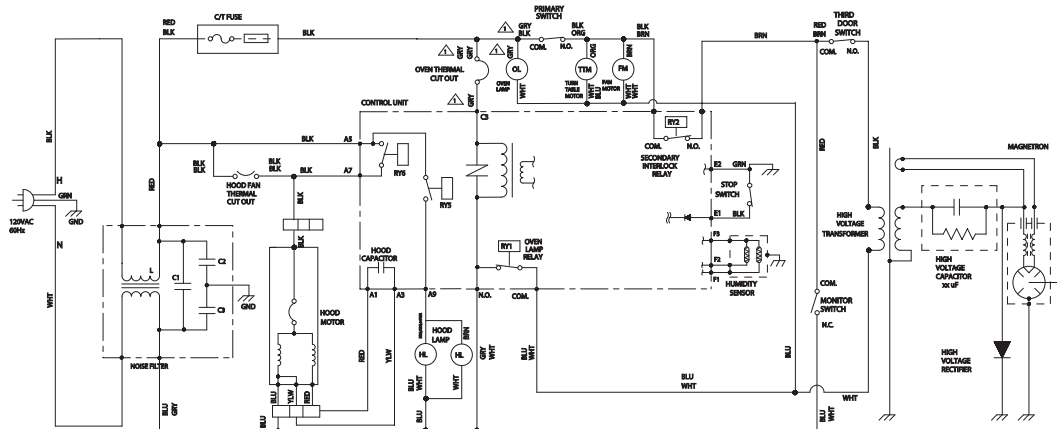


Figure O-2. Oven Schematic-Cooking Condition

CFMV156D_C Wiring