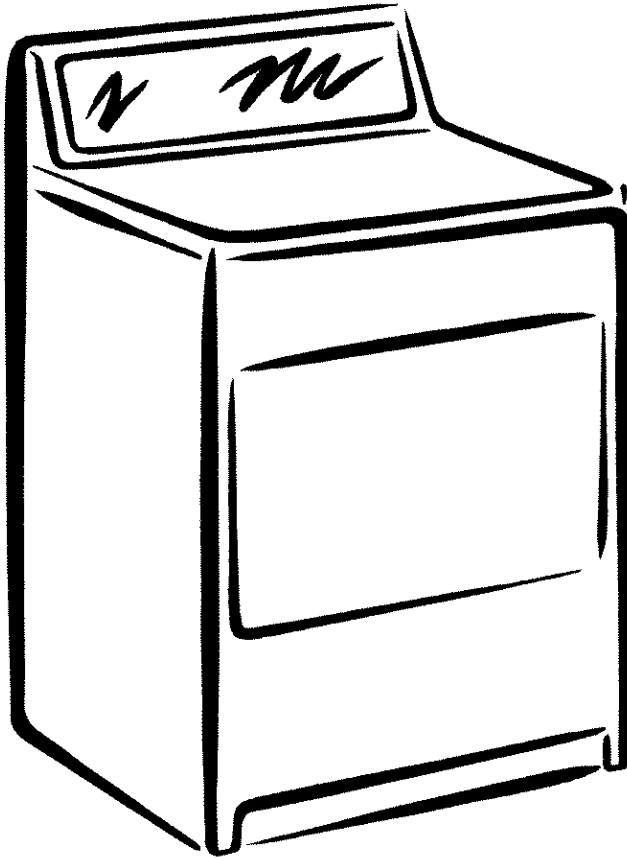


Owner's Manual and Installation Instructions



27-Inch Wide GAS DRYERS



ENGLISH ESPAÑOL



IMPORTANT:

Read and follow all safety
and operating instructions
before first use of this product.

Sears, Roebuck and Co., Hoffman Estates, IL 60179 U.S.A.
www.sears.com

WARNING: For your safety, the information in this manual must be followed to minimize the risk of fire or explosion, or to prevent property damage, personal injury, or death.

- Do not store or use gasoline or other flammable vapors and liquids in the vicinity of this or any other appliance.
- **WHAT TO DO IF YOU SMELL GAS:**
 - Do not try to light any appliance.
 - Do not touch any electrical switch; do not use any phone in your building.
 - Clear the room, building, or area of all occupants.
 - Immediately call your gas supplier from a neighbor's phone. Follow the gas supplier's instructions.
 - If you cannot reach your gas supplier, call the fire department.
- Installation and service must be performed by a qualified installer, service agency, or the gas supplier.

TABLE OF CONTENTS

BEFORE USING YOUR NEW DRYER	3
KENMORE ELITE™ GAS DRYER WARRANTY	4
DRYER SAFETY	5
INSTALLATION INSTRUCTIONS	7
OPERATING YOUR DRYER	24
LAUNDRY TIPS	31
CARING FOR YOUR DRYER	33
TROUBLESHOOTING	37
SEARS MAINTENANCE AGREEMENT	39

BEFORE USING YOUR NEW DRYER

Please read this manual. It will help you install and operate your new Kenmore ELITE™ dryer in the most economical way.

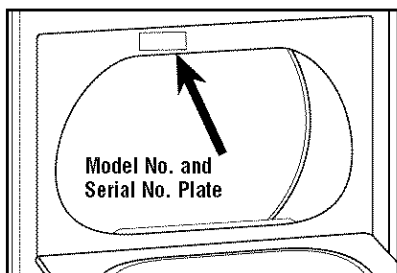
If you need more information about the care and operation of Kenmore ELITE™ appliances call your nearest Sears store. You will need the complete model and serial numbers when requesting information. Your dryer's model and serial numbers are located on the Model and Serial Number Plate.

Use the space below to record the model number and serial number of your new Kenmore ELITE™ dryer.

Model No. _____

Serial No. _____

Date of Purchase _____



Keep this book and your Sears Salescheck (receipt) in a safe place for future reference.

KENMORE ELITE™ GAS DRYER WARRANTY

Full One Year Warranty on Mechanical and Electrical Parts

For one year from the date of purchase, if this dryer is installed and operated according to the instructions in this manual, Sears will repair or replace any of its mechanical or electrical parts if they are defective in material or workmanship.

NOTE: Exhausting your dryer with a plastic vent may void this warranty. Pages 18-22 of this manual describe the complete exhaust requirements for this dryer.

Warranty Restriction

If the dryer is subjected to other than private family use, all warranty coverage is effective for only 90 days.

Warranty Service

Warranty service is available by contacting your nearest Sears Service Center in the United States.

This warranty applies only while this dryer is in use in the United States.

This warranty gives you specific legal rights, and you may also have other rights which vary from state to state.

**Sears, Roebuck and Co., Dept. 817WA,
Hoffman Estates, IL 60179**

For Sears Warranty information or to contact a Sears Service Center, call 1-800-4-MY-HOMESM (1-800-469-4663).

DRYER SAFETY

Your safety and the safety of others is very important.

We have provided many important safety messages in this manual and on your appliance. Always read and obey all safety messages.



This is the safety alert symbol. This symbol alerts you to hazards that can kill or hurt you and others. All safety messages will be preceded by the safety alert symbol and the word "DANGER" or "WARNING." These words mean:

 **DANGER**

You will be killed or seriously injured if you don't follow instructions.

 **WARNING**

You can be killed or seriously injured if you don't follow instructions.

All safety messages will identify the hazard, tell you how to reduce the chance of injury, and tell you what can happen if the instructions are not followed.

IMPORTANT SAFETY INSTRUCTIONS

WARNING: To reduce the risk of fire, electric shock, or injury to persons when using the dryer, follow basic precautions, including the following:

- Read all instructions before using the dryer.
- Do not place items exposed to cooking oils in your dryer. Items contaminated with cooking oils may contribute to a chemical reaction that could cause a load to catch fire.
- Do not dry articles that have been previously cleaned in, washed in, soaked in, or spotted with gasoline, dry-cleaning solvents, other flammable, or explosive substances as they give off vapors that could ignite or explode.
- Do not allow children to play on or in the dryer. Close supervision of children is necessary when the dryer is used near children.
- Before the dryer is removed from service or discarded, remove the door to the drying compartment.
- Do not reach into the dryer if the drum is moving.
- Do not install or store the dryer where it will be exposed to the weather.
- Do not tamper with controls.
- Do not repair or replace any part of the dryer or attempt any servicing unless specifically recommended in this Owner's Manual or in published user-repair instructions that you understand and have the skills to carry out.
- Do not use fabric softeners or products to eliminate static unless recommended by the manufacturer of the fabric softener or product.
- Do not use heat to dry articles containing foam rubber or similarly textured rubber-like materials.
- Clean lint screen before or after each load.
- Keep area around the exhaust opening and adjacent surrounding areas free from the accumulation of lint, dust, and dirt.
- The interior of the dryer and exhaust vent should be cleaned periodically by qualified service personnel.
- See the "INSTALLATION INSTRUCTIONS" section for grounding requirements.

SAVE THESE INSTRUCTIONS

IMPORTANT: The gas installation must conform with local codes, or in the absence of local codes, with the National Fuel Gas Code, ANSI Z223.1.

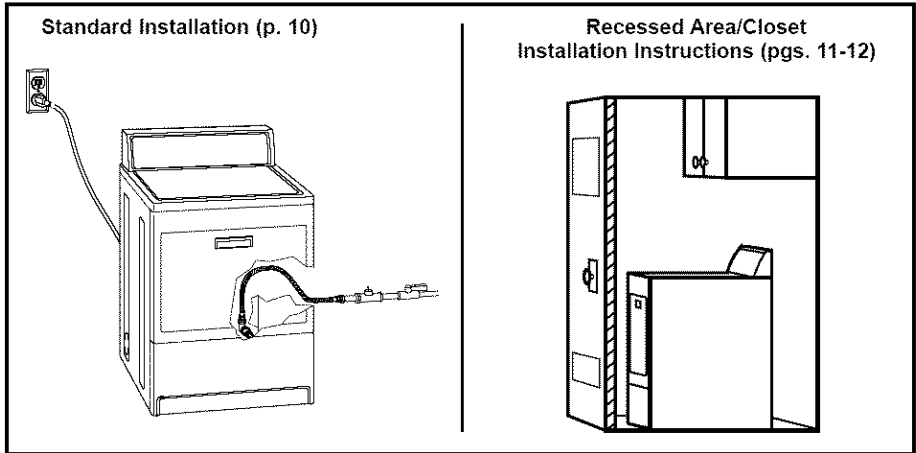
The dryer must be electrically grounded in accordance with local codes, or in the absence of local codes, with the National Electrical Code, ANSI/NFPA 70.

INSTALLATION INSTRUCTIONS

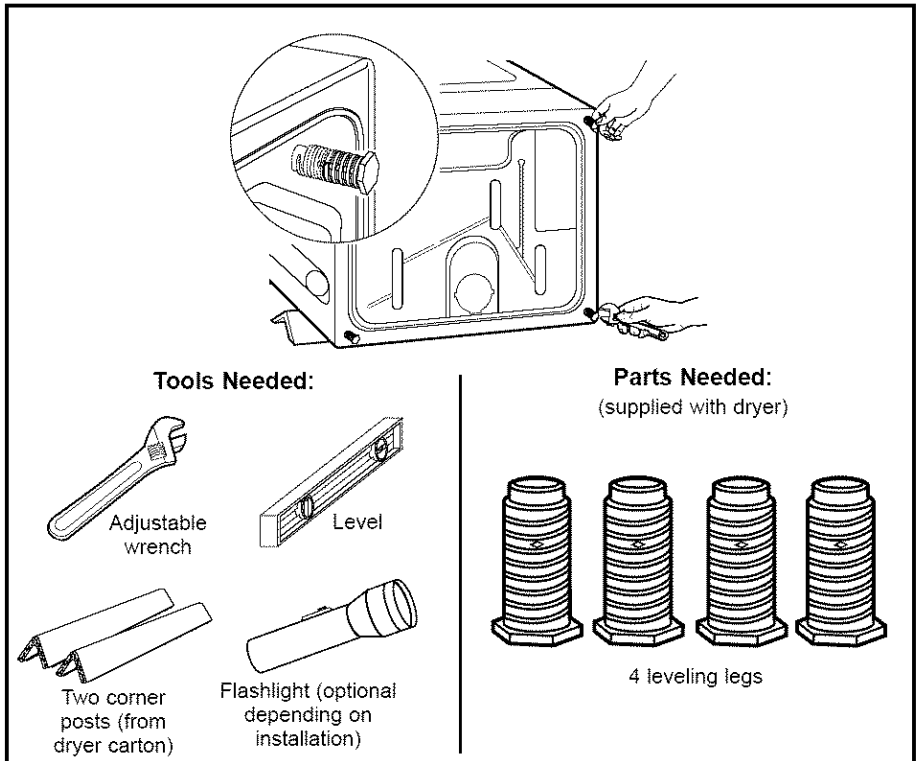
INSTALLATION OVERVIEW

For a complete list of tools and parts needed, see pages 7-9.

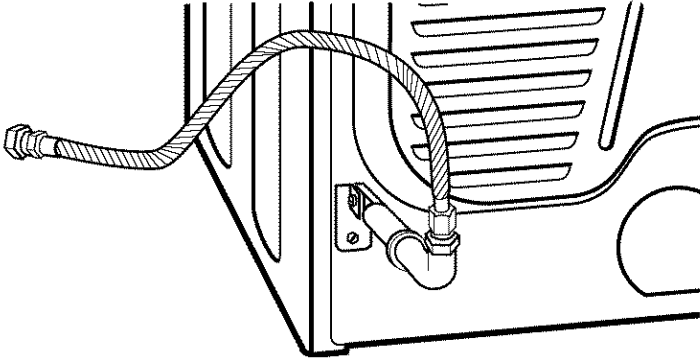
A. SELECT LOCATION FOR YOUR DRYER (pgs. 10-13)



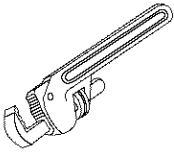
B. INSTALL LEVELING LEGS (p. 14)



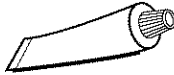
C. INSTALL GAS LINE (pgs. 15-17)



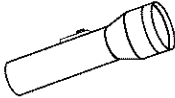
Tools Needed:



8-inch or 10-inch pipe wrench



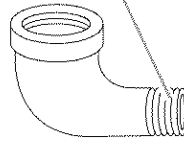
Pipe-joint compound resistant to L.P. gas



Flashlight (optional depending on installation)

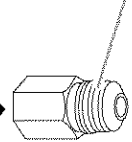
Parts Needed:

Use pipe joint compound

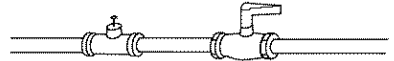


$\frac{3}{8}$ -in to $\frac{3}{8}$ -in pipe elbow

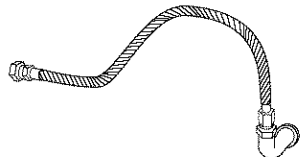
Do not use pipe joint compound



$\frac{3}{8}$ -in male pipe-to-flare (optional depending on installation)

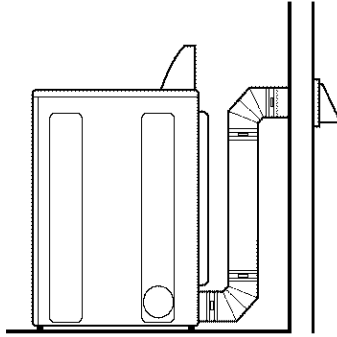


Rigid gas supply line approved for natural gas use (**NOTE:** additional fittings may be required)

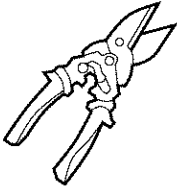


$\frac{3}{8}$ -inch diameter, flexible stainless steel 4-foot or 6-foot gas line

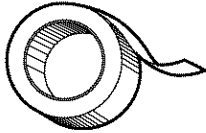
D. CONNECT EXHAUST (pgs. 18-22)



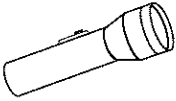
Tools Needed:



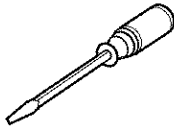
Tin snips



Duct tape

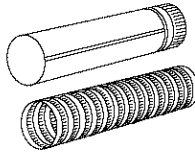


Flashlight
(optional depending
on installation)

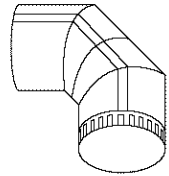


Flat-bladed
screwdriver

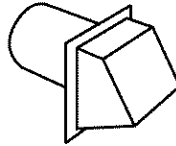
Parts Needed:



4-inch heavy or
flexible metal vent



4-inch metal elbow(s)
(optional depending
on installation)



4-inch outlet
exhaust hood



(4) 4-inch
diameter clamps

A. SELECT LOCATION FOR YOUR DRYER

for your **Benefit**

Selecting the proper location for your dryer makes installation easy and gives you the best drying performance.


STANDARD INSTALLATION

Check location where dryer will be installed. Proper installation is your responsibility. Make sure you have everything necessary for correct installation (see illustration below).

The dryer must not be installed where it can be exposed to water and/or weather.

- Proper operation of dryer cycles requires temperatures above 45°F (at lower temperatures, the dryer may not shut off at the end of automatic cycles and drying times will be extended).
- Use at least the minimum installation spacings described on page 12. This will ensure you have an adequate clearance for service and proper operation including flow of combustion and ventilation air, and that you have a sufficient distance from combustible construction.
- Be sure your location allows for a proper exhaust installation. **A gas dryer must be exhausted to the outdoors.** See pages 18-22 for complete exhaust requirements.
- Check code requirements. Some codes limit or do not permit installation of clothes dryers in garages, closets, mobile homes, or sleeping quarters. Contact your local building inspector.

! WARNING

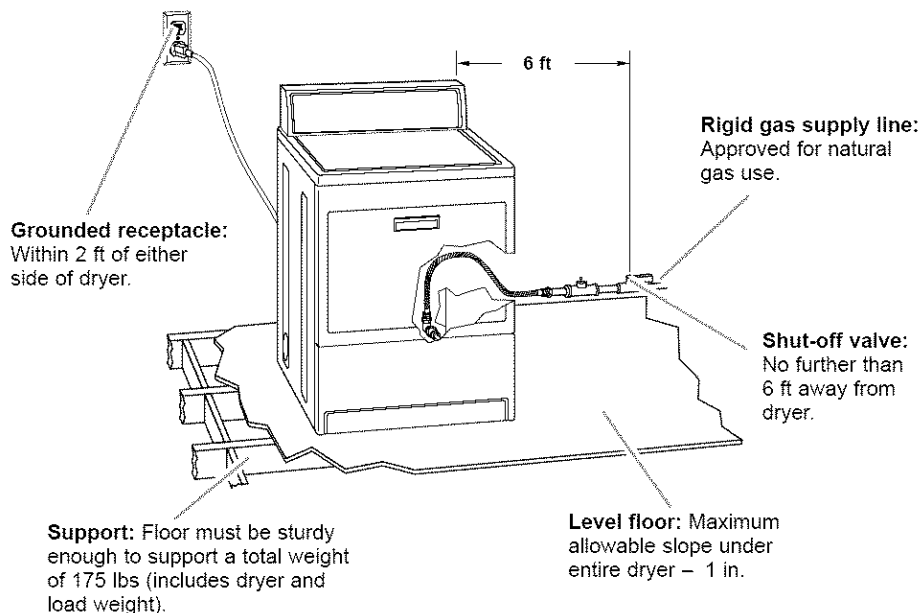


Explosion Hazard

Keep flammable materials and vapors, such as gasoline, away from dryer.

Place dryer at least 18 inches (46 cm) above the floor for a garage installation.

Failure to do so can result in death, explosion, or fire.



RECESSED AREA/CLOSET INSTALLATION INSTRUCTIONS

This dryer may be installed in a recessed area or closet.

The dryer must not be installed where it can be exposed to water and/or weather.

- Proper operation of dryer cycles requires temperatures above 45°F (at lower temperatures, the dryer may not shut off at the end of automatic cycles and drying times will be extended).
- Use at least the minimum installation spacings described on page 12. This will ensure you have an adequate clearance for service and proper operation including flow of combustion and ventilation air, and that you have a sufficient distance from combustible construction.
- Be sure your location allows for a proper exhaust installation. **A gas dryer must be exhausted to the outdoors.** See pages 18-22 for complete exhaust requirements.
- Check code requirements. Some codes limit or do not permit installation of clothes dryers in garages, closets, mobile homes, or sleeping quarters. Contact your local building inspector.

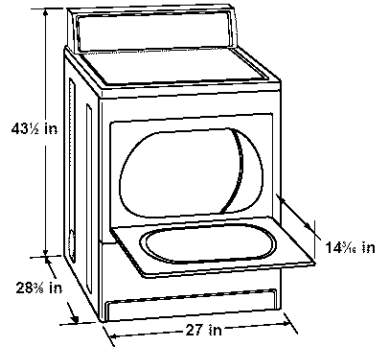
WARNING: To reduce the risk of fire, this appliance **MUST BE EXHAUSTED OUTDOORS.**

NOTE: No fuel-burning appliances may be installed in the same closet as a dryer.

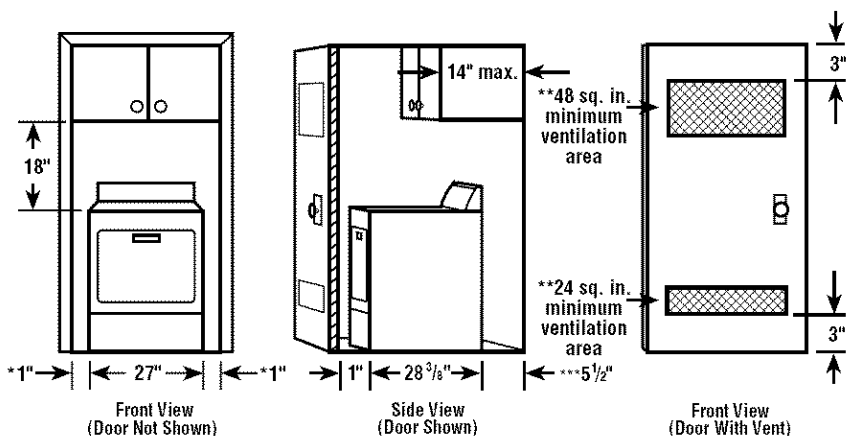
DRYER DIMENSIONS

Most installations will require at least 5-inch clearance behind the dryer for the dryer vent.

Location must be large enough to fully open dryer door.



MINIMUM INSTALLATION SPACING



* Additional clearances for wall, door and floor moldings may be required. 0" clearance is acceptable but not recommended.

** Opening is minimum for closet door. Louvered door with equivalent air openings in top and bottom are acceptable.

*** Additional space is needed when external exhaust elbow is used. Can be 0" clearance when house exhausting is lined up directly with dryer exhaust.

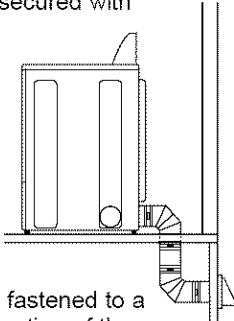
- In the above illustration, the installation spacing is in inches and is the minimum allowable.
- Additional spacing should be considered for ease of installation and servicing.
- If closet door is installed, the minimum air openings in top and bottom are required. Louvered doors with equivalent air openings in top and bottom are acceptable.
- All installations must be exhausted outside. Use at least the minimum dimensions indicated.

MOBILE HOME EXHAUST REQUIREMENTS

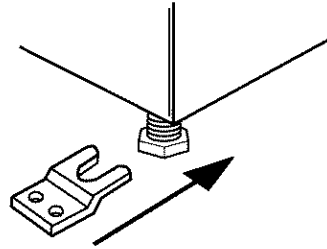
- The dryer must not be installed where it can be exposed to water and/or weather. Proper operation of dryer cycles requires temperatures above 45°F (at lower temperatures, the dryer may not shut off at the end of automatic cycles and drying times will be extended).
- Use at least the minimum installation spacings described on page 12. This will ensure you have an adequate clearance for service and proper operation including flow of combustion and ventilation air, and that you have a sufficient distance from combustible construction.
- Special provisions must be made for the introduction of outside air into the dryer when installed in a mobile home. The area of any opening for the introduction of outside air (such as a nearby window) should be at least twice as large as the dryer exhaust opening.

This dryer is suitable for mobile home installations. The installation must conform to the Manufactured Home Construction and Safety Standard, Title 24 CFR, Part 3280 (formerly the Federal Standard for Mobile Homes Construction and Safety, Title 24, HUD Part 280).

- Dryer exhaust vent must not be connected or secured with screws or other devices which extend into the interior of the vent.
- A gas dryer must be exhausted outdoors. The exhaust vent must be securely fastened to a noncombustible portion of the mobile home structure and must not terminate beneath the mobile home.



For mobile home use, gas dryers must be securely fastened to the floor. Order Mobile Home Installation Kit 346764 from your Sears store or Sears Service Center. Kit includes the necessary fastening hardware and detailed installation instructions. Exhaust system hardware is also available through your Sears store or Sears Service Center.



WARNING: To reduce the risk of fire, this appliance **MUST BE EXHAUSTED OUTDOORS.**

B. INSTALL LEVELING LEGS

for your **Benefit**

Leveling your dryer correctly will reduce operating noise and provide improved drying performance.

⚠ WARNING

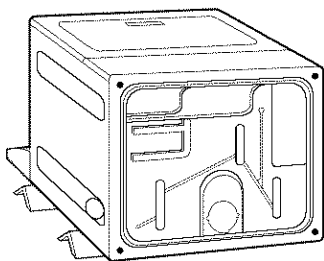
Excessive Weight Hazard

Use two or more people to move and install dryer.

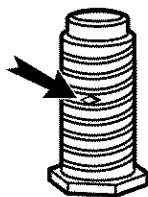
Failure to do so can result in back or other injury.

STEP 1. Take two of the cardboard corners from the carton. Place them on the floor in back of the dryer.

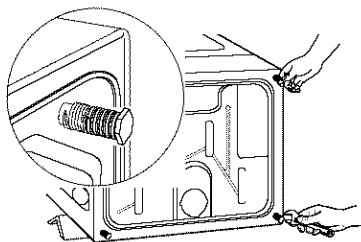
STEP 2. Firmly grasp the body of the dryer (not the top or console panel). Gently lay dryer on the cardboard corners.



STEP 3. With one of the legs in hand, check the ridges for a diamond marking.

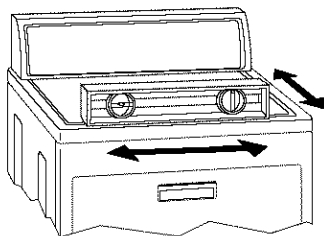


STEP 4. Start to screw the legs into the holes by hand. Use a wrench to finish turning the legs until diamond marking is no longer visible. This is when we recommend you start checking the dryer for levelness. Further adjustment may be necessary.

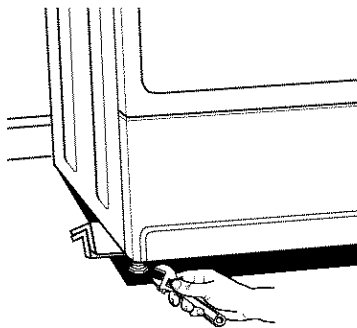


STEP 5. Stand the dryer up and move it close to its final location. Leave enough room to connect the exhaust vent.

STEP 6. Check levelness of dryer by placing a level on top of the dryer, first side-to-side; then front-to-back.



STEP 7. If dryer is not level, prop the dryer up using two stacked cardboard corner posts. Use a wrench to adjust the legs up or down.



NOTE: It may be necessary to level the dryer again after it is moved into its final position.

C. INSTALL GAS LINE

for your **Benefit**

The proper gas connection ensures an installation that meets local code requirements.

GAS REQUIREMENTS

! WARNING



Explosion Hazard

Use a new AGA approved gas supply line.

Install a shut-off valve.

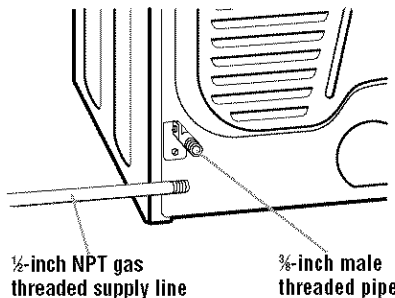
Securely tighten all gas connections.

If connected to LP, have a qualified person make sure gas pressure does not exceed 13" (33 cm) water column.

Examples of a qualified person include licensed heating personnel, authorized gas company personnel, and authorized service personnel.

Failure to do so can result in death, explosion, or fire.

- Make certain your dryer has the correct burner for the type of gas in your home. Burner information is located on the rating plate in the door well of your dryer. If this information does not agree with the type of gas available, contact your local Sears store or Sears Service Center. Any change to the burner must be made by a certified technician.
- Provide a rigid gas supply line of ½-inch pipe to your dryer.
- If you are using natural gas, do not use copper tubing.
- If your dryer has been converted to use L.P. gas, ⅝-inch L.P.-compatible copper tubing may be used. If the total length of the supply line is more than 20 feet, use larger pipe. Pipe joint compounds that resist the action of L.P. gas must be used. Do not use Teflon tape.

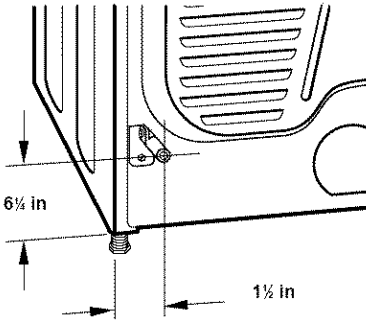


ENGLISH

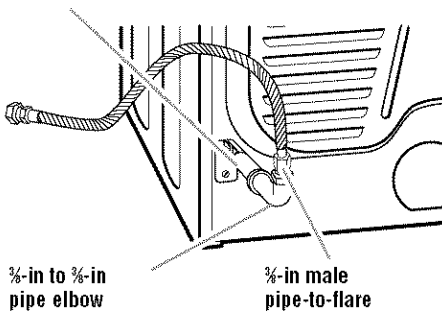
It is your responsibility to contact a qualified gas line installer to ensure you have natural gas.

- The design of this dryer has been certified by the American Gas Association for use at altitudes up to 10,000 feet above sea level at the B.T.U. rating indicated on the model/serial number plate. Burner input adjustments are not required when the dryer is operated up to this level.
- When installed above 10,000 feet, a four percent (4%) reduction of the burner B.T.U. rating shown on the model/serial number plate is required for each 1,000 foot increase in elevation. For assistance when converting to other gas types and/or installing above 10,000 feet elevation contact your local service company.

- If local codes permit, use flexible stainless steel tubing (Design Certified by the American Gas Association) to connect your dryer to the gas supply line. To prevent kinking, you may need an elbow and a connector between the stainless steel tubing and the dryer gas pipe. The gas pipe that comes out through the rear of your dryer has a $\frac{3}{8}$ in male pipe thread.



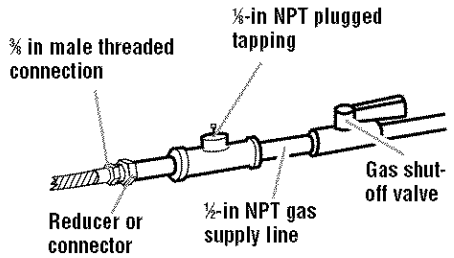
$\frac{3}{8}$ -in NPT male threaded connection



$\frac{3}{8}$ -in to $\frac{3}{8}$ -in pipe elbow

$\frac{3}{8}$ -in male pipe-to-flare

- A combination of pipe fittings must be used to connect the dryer to the existing gas line.

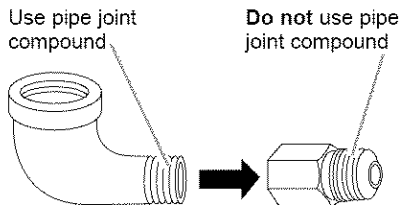


- The gas supply must have a shut-off valve. The valve should be in the same room as the dryer, within six feet. The location should be easy to reach for opening and closing the valve.
- A $\frac{1}{2}$ -inch NPT plugged tapping, accessible for test gauge connection, must be installed immediately upstream of the gas supply connection to the dryer.
- To ensure proper combustion and ventilation, the dryer installation should adhere to the minimum recommended clearances. See page 12.
- For mobile home installation, see page 13 for more instructions.
- The dryer must be disconnected from the gas supply piping system during any pressure testing of that system.

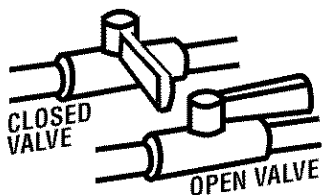
CONNECT DRYER TO GAS LINE

STEP 1. Remove the red cap from the gas pipe. Move the dryer to its final position.

STEP 2. Connect gas supply to dryer. Use a wrench to tighten. For gas connections you must use pipe joint compound resistant to the action of L.P. gas. **Apply pipe joint compound to the non-flared male threads only.** If flexible metal tubing is used be sure there are no kinks.



STEP 3. Open the shut-off valve in the supply line. The valve is open when the handle is parallel to the gas pipe.



STEP 4. Test all the connections by brushing on an approved leak-detection solution. Bubbles will show a leak. Correct any leak found. Never test for gas leaks with a flame.

ELECTRICAL REQUIREMENTS

It is your responsibility:

- To contact a qualified electrical installer.
- To assure that the electrical installation is adequate and in conformance with the National Electrical Code, ANSI/NFPA 70 – latest edition and all local codes and ordinances.

Copies of the code standards listed above may be obtained from:

National Fire Protection Association
Batterymarch Park
Quincy, Massachusetts 02269

for your Benefit

The proper electrical connection ensures an installation that meets local code requirements.

⚠ WARNING



Electrical Shock Hazard
Plug into a grounded 3 prong outlet.
Do not remove ground prong.
Do not use an adapter.
Do not use an extension cord.
Failure to follow these instructions can result in death, fire, or electrical shock.

- A 120-Volt, 60-Hz., AC-only, 15- or 20-ampere fused electrical supply is required.
- A time-delay fuse or circuit breaker is recommended. Be sure fuse or circuit breaker matches the rating of your line.
- Use a separate circuit serving only your dryer.
- Do not use an extension cord.

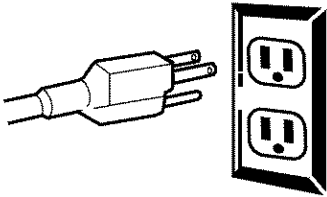
GROUNDING INSTRUCTIONS

WARNING: This appliance must be grounded. In the event of malfunction or breakdown, grounding will reduce the risk of electric shock by providing a path of least resistance for electric current.

Your dryer has a power supply cord with a 3 prong grounding plug. Never remove the power supply cord ground prong.

To help prevent electrical shock hazard, the power supply cord must be plugged into a mating 3 prong grounded wall receptacle (grounded in accordance with the National Electrical Code, ANSI/NFPA 70-Latest Edition and local codes and ordinances). If a mating wall receptacle is not available, it is your responsibility to have a properly grounded, 3 prong wall receptacle installed by a qualified electrician.

SAVE THESE INSTRUCTIONS



D. CONNECT EXHAUST

for your **Benefit**

A properly exhausted dryer will give you the shortest drying time, lower your utility bills, and extend the life of the dryer.

!WARNING

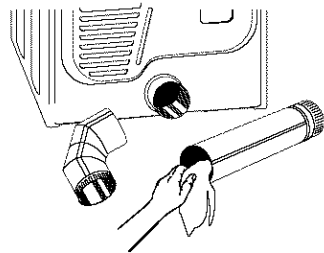


Fire Hazard

- Use a heavy metal vent.**
- Do not use a plastic vent.**
- Do not use a metal foil vent.**
- Failure to follow these instructions can result in death or fire.**

WARNING: To reduce the risk of fire, this appliance **MUST BE EXHAUSTED OUTDOORS.**

- Do not exhaust dryer into a chimney, a wall, a ceiling, or a concealed space of a building.
- The diameter of the heavy metal vent must be 4 inches.
- Do not use an exhaust hood with a magnetic latch.
- Dryer exhaust vent must not be connected or secured with screws or other devices which extend into the interior of the vent.
- If using an existing exhaust system, disconnect vent from the dryer and clean one section at a time until you reach the exhaust hood. To clean out lint, you can use the hose attachment on your vacuum, or use a pole or wire with a feather duster or rag attached.

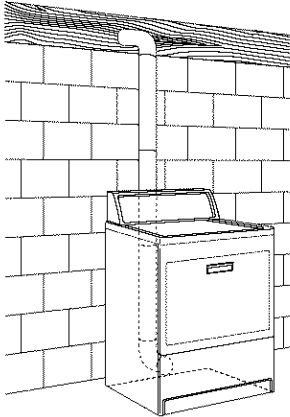


- Make sure exhaust hood is not plugged with lint. Follow the instructions in this section to reinstall your vent system.

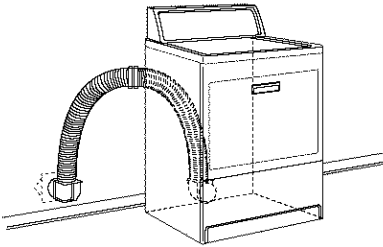
ROUTE THE VENT

Typical installations exhaust from the rear of the dryer.

Avoid pushing the dryer tightly against a wall. This can crush or kink the vent. Use the straightest path you can, where possible. Avoid 90° turns.



Rear exhaust installations for standard offset connections – (see pgs. 20-21).



Rear exhaust installations for offset connections with close clearances – (see p. 22)

This dryer may be converted to exhaust out the right or left side or through the bottom. To convert the dryer, one of the following kits must be used.

- Exhaust Kit No. 279818 (white)
- Exhaust Kit No. 279819 (almond)
- Exhaust Kit No. 279915 (graphite)
- Exhaust Kit No. 279925 (bisque)

⚠ WARNING



Fire Hazard

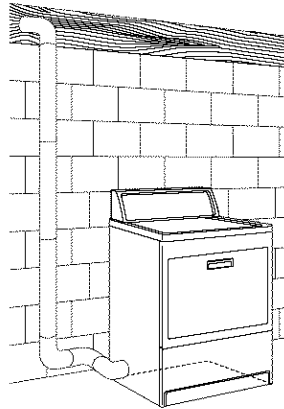
Cover unused exhaust holes with one of the following kits:

- 279818 (white)
- 279819 (almond)
- 279915 (graphite)
- 279925 (bisque)

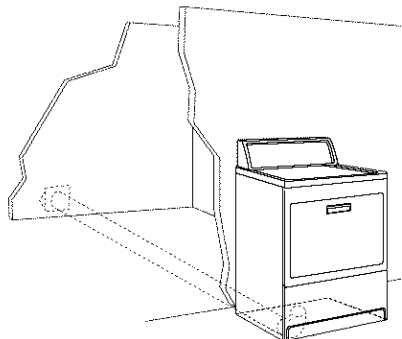
Contact your local dealer.

Failure to follow these instructions can result in death, fire, electrical shock or serious injury.

Follow the instructions in the kit to avoid operational and personal hazards. These kits are available at your local Sears store or Sears Service Center.



Typical installations for left or right side exhausting

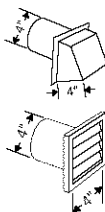



Typical installations for bottom exhausting 19

DETERMINE VENT LENGTH

Maximum Exhaust Lengths:

- *Rear Exhaust.* The maximum length of the rear exhaust system depends on the type of vent, the number of elbows, and the type of exhaust hood. Refer to the chart below.
- *Side or Bottom Exhaust.* Side or bottom exhaust adds a 90° turn inside the dryer. To determine maximum exhaust length, add one 90° turn to the chart.

EXHAUST HOOD TYPE		
		
Number of 90° Turns	Maximum length of 4-inch diameter heavy metal vent.	
0	64 ft	58 ft
1	54 ft	48 ft
2	44 ft	38 ft
3	35 ft	29 ft
4	27 ft	21 ft
Number of 90° Turns	Maximum length of 4-inch diameter flexible metal vent.	
0	36 ft	28 ft
1	31 ft	23 ft
2	27 ft	19 ft
3	25 ft	17 ft
4	23 ft	15 ft

NOTE: If a combination of heavy metal vent and flexible metal vent is used, use instructions for flexible metal vent.

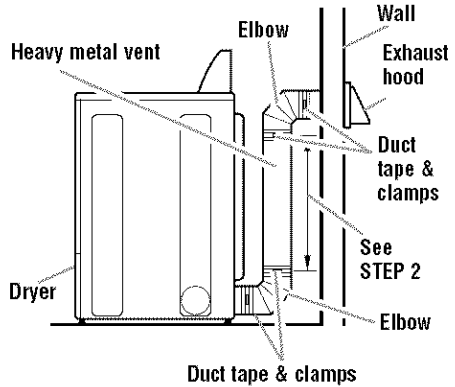
STANDARD OFFSET CONNECTIONS

Using 4-inch heavy metal vent:

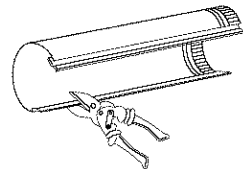
NOTE: Do not secure exhaust vent joints with screws. Screws can catch lint and slow the drying process. Instead, use clamps to secure exhaust vent joints.

STEP 1. Install a 4-inch metal elbow on the hood and on the dryer exhaust outlet.

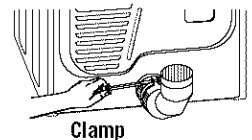
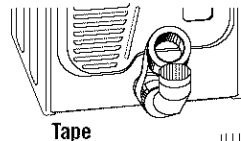
STEP 2. Measure the length of 4-inch heavy metal vent needed to connect the two elbows.



The vent usually comes in 2-foot lengths. Use tin snips to cut the vent 3 inches longer than your measurement in order to make a connection.



STEP 3. Place a clamp on each end of vent elbow and connect elbow to your dryer's exhaust outlet. Tape the joint with duct tape. Tighten clamp.



STEP 4. Connect vent to elbow. Tape the joint with duct tape. Tighten clamp.

STEP 5. Install one end of elbow on vent, the other end to the exhaust hood. Tape joints and tighten clamps.

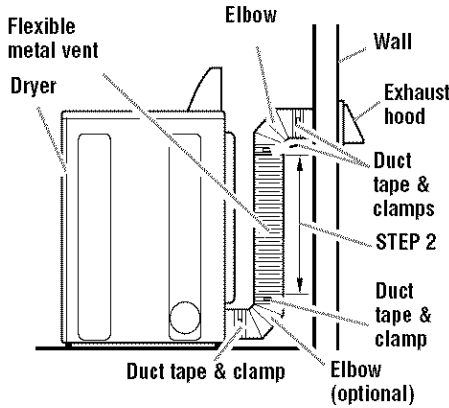
Finish Installation. See “**REVIEW INSTALLATION**”.

Using 4-inch flexible metal vent:

NOTE: Do not secure exhaust vent joints with screws. Screws can catch lint and slow the drying process. Instead, use clamps to secure exhaust vent joints.

STEP 1. Install a 4-inch metal elbow on the exhaust hood and, if necessary, on the dryer’s exhaust outlet.

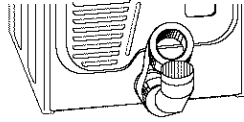
STEP 2. Measure the length of 4-inch flexible metal vent needed from the dryer to the hood.



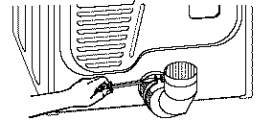
STEP 3. Add 10 inches to the measurement for each bend in the vent.

STEP 4. Add 3 more inches to the measurement for connection over the dryer’s exhaust outlet and hood.

STEP 5. Place a clamp on each end of vent elbow. Install one end of elbow on vent, the other end to the exhaust hood. Tape joints and tighten clamps.



Tape

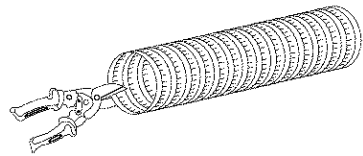


Clamp

STEP 6. Stretch the vent only as needed by pulling out from the center in each direction. Do not stretch vent sections over 6 feet. If distance is more than 6 feet, use 2 or more sections of metal vent with flexible metal vent attached at ends.

STEP 7. Connect the vent directly to the dryer outlet or to a separate elbow. Tape the joints with duct tape. Secure with clamps.

STEP 8. To connect the vent to the section of the exhaust hood that is inside your wall, it may be necessary to make two ½ inch cuts in the end of the flexible vent to allow it to expand.



Finish Installation. See “**REVIEW INSTALLATION**”.

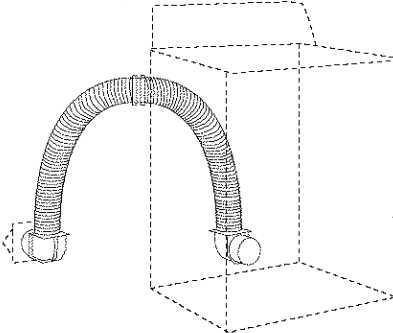
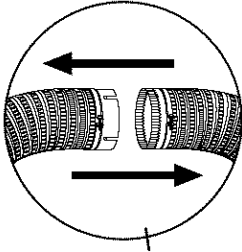
OFFSET CONNECTIONS WITH CLOSE CLEARANCES

When your exhaust vent is in a close clearance behind the dryer, or if you are installing your dryer in a recessed area or closet, you will find it helpful to install the exhaust vent over-the-top* of the dryer. A kit is available from your local Sears store or Sears Service Center.

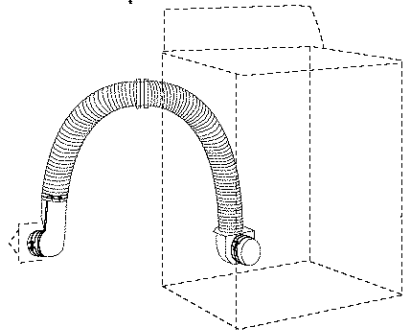
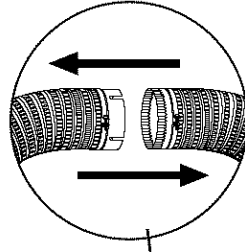
*Parts may be covered by one or more U.S. Patents.

NOTE: Vent systems come in many varieties. Select the type that best fits your installation. Three of the most common types of installations are illustrated here.

LOOP SYSTEM

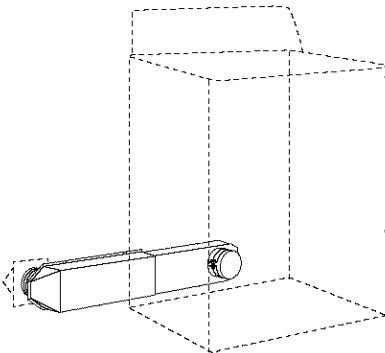


Vent system installed over-the-top with standard elbows



Vent system installed over-the-top with one offset and one standard elbow

PERISCOPE SYSTEM



Vent system with one periscope (2-inch clearance)

REVIEW INSTALLATION

for your **Benefit**

Take a few minutes to complete this checklist. It will help assure you that you have a proper installation and increase your satisfaction with your Kenmore ELITE™ dryer.

- Check that all parts you removed from the parts packages are now installed.
- Ensure that dryer is positioned in its final location. Make sure vent is not crushed or kinked.
- Ensure that dryer is level by placing a level on top of the dryer. Check side-to-side first, then check front-to-back. If dryer is not level, adjust the legs up or down.
- Check to make sure you have all the tools you started with.

FINAL STEPS

- Plug the power supply cord into the grounded outlet or power supply.
- Turn power supply on.
- Wipe the interior of the drum thoroughly with a damp cloth to remove any dust.
- Remove the blue protective film on the console and any tape remaining on dryer.
- Read the rest of this manual to fully understand your new dryer.
- To remove air from the gas line, set the dryer on a full heat cycle (not the AIR FLUFF setting) for 20 minutes. After five minutes, open dryer door. The burner should have ignited during these five minutes. If you do not feel heat, turn the dryer off and WAIT 5 MINUTES. During these 5 minutes check to be sure dryer gas supply valve is open. Repeat steps above. If the burner still does not ignite, see "TROUBLESHOOTING."

OPERATING YOUR DRYER

⚠ WARNING



Explosion Hazard

Keep flammable materials and vapors, such as gasoline, away from dryer.

Do not dry anything that has ever had anything flammable on it (even after washing).

Failure to follow these instructions can result in death, explosion, or fire.

⚠ WARNING



Fire Hazard

No washer can completely remove oil. Do not dry anything that has ever had any type of oil on it (including cooking oils).

Items containing foam, rubber, or plastic must be dried on a clothesline or by using an Air Cycle.

Failure to follow these instructions can result in death or fire.

STARTING YOUR DRYER

NOTE: The drawings in this section show the basic features of all models covered by this manual. Refer to the supplied "Feature Sheet" for your dryer's particular features.

STEP 1. Check lint screen. Clean if needed.

STEP 2. Put laundry into dryer and shut door.

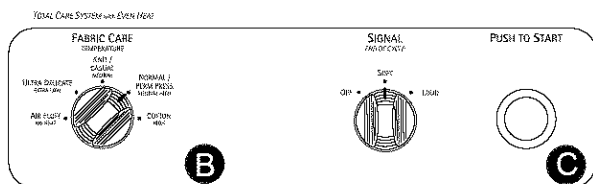
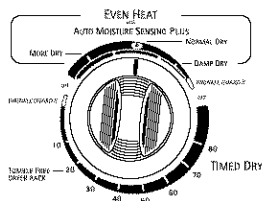
STEP 3. Set Cycle Selector Control (Timer) **A** (see page 25).

STEP 4. Set FABRIC/TEMPERATURE Control **B** (see page 26 and 27). Check clothes label for manufacturer's recommendations.

STEP 5. Press PUSH TO START Button **C**. Be sure door is closed.

STOPPING/RESTARTING YOUR DRYER

- To stop the dryer at any time, open dryer door.
- To restart, press PUSH TO START Button **C**. Be sure door is closed.
- If you wish to end your drying cycle, turn Cycle Selector Control (Timer) **A** to OFF.



Heavy Duty - EWOS Size Capacity - Quiet Pak II



CYCLE DESCRIPTIONS

for your **Benefit**

The automatic cycles save saves you time by providing the best drying results in the shortest time. This can help you save money on utility bills and reduce the risk of fabric damage.

EVENHEAT™ with AUTO MOISTURE SENSING PLUS cycles

Your dryer's automatic cycle is EVENHEAT™ with AUTO MOISTURE SENSING PLUS. Use this cycle for most loads. Drying time varies according to type of fabric, size of load, and dryness setting.

- Set the Cycle Selector Control (Timer) to NORMAL DRY(*) which is good for most fabrics.
- At the end of the cycle, feel the dried clothes. If they are damp, select MORE DRY the next time you do a similar load. If they are overdried, select DAMP DRY the next time you do a similar load.
- Dryness is determined by an electronic sensor that "feels" the amount of moisture in clothes as they pass over it. When the dryness selected is reached, the dryer goes into a Cool Down period of up to 10 minutes.
- The END OF CYCLE SIGNAL sounds (if selected) once the cycle is completed.
- If you do not unload the dryer, it goes into WRINKLE GUARD® automatically. For an explanation of WRINKLE GUARD®, see page 29.

NOTE: On some models, WRINKLE GUARD® is selected by an option switch.

TIMED DRY CYCLE

Use this cycle to get up to 80 or 90 minutes (depending on model) of heated drying time.

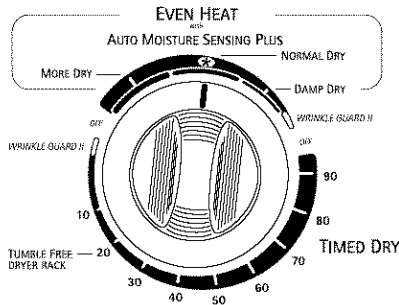
- The heating cycle is followed by a 10-minute (approx.) Cool Down period.
- The END OF CYCLE SIGNAL sounds (if selected) once the cycle is completed.

NOTE: Dryers with a WRINKLE GUARD® Option control will go into WRINKLE GUARD® immediately following this cycle (if selected).

TOUCH UP CYCLE (on some models)

Use this cycle to smooth synthetic and permanent press clothes that are clean but wrinkled from being crowded in a closet or suitcase.

- This setting provides about 15 minutes of heated tumbling followed by a 10-minute (approx.) Cool Down period.
- Remove clothes immediately when tumbling stops.



FABRIC CARE/ TEMPERATURE CONTROL

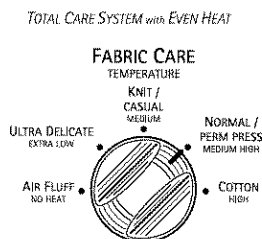
for your **Benefit**

Proper use of this control helps ensure that fabrics are dried at the right temperature for maximum life.

Use this control to select the drying temperature that matches the fabrics in your load.

- Select EXTRA LOW for delicate fabrics. Select HIGH for durable fabrics such as sturdy work clothes or bath towels.

The following chart lists suggested dryer settings and drying times for various loads. This is only a guide. Settings may require adjustment depending on the requirements of your load.



Type of Load	Automatic Setting	Drying Temp	TIMED DRY Setting
COTTONS AND LINENS			
Extra Heavy – Bedspreads, mattress pads, quilts	MORE DRY	HIGH	70-90 min.
Heavyweight – Towels, jeans, corduroys, work clothes	MORE DRY	HIGH	50-60 min.
Mediumweight – Sheets, cotton underwear, diapers	NORMAL DRY	MEDIUM/HIGH or MEDIUM*	40-50 min.
Lightweight – Batistes, organdies, lingerie	NORMAL DRY	EXTRA LOW	30-40 min.
PERMANENT PRESS, SYNTHETICS AND BLENDS			
Heavyweight – Work clothes, jackets, raincoats	NORMAL DRY	HIGH	40-50 min.
Mediumweight – Shirts, play clothes, sheets, slacks	NORMAL DRY	MEDIUM/HIGH or MEDIUM*	30-40 min.
Lightweight – Lingerie, blouses, dresses	DAMP DRY	MEDIUM or EXTRA LOW*	20-30 min.
KNITS			
Heavyweight – Cottons, rayons, blends, T-shirts, slacks, shirts	NORMAL DRY	HIGH	40-50 min.
Mediumweight – Synthetics (polyester, acrylic, etc.), dress slacks, skirts, sweaters	NORMAL DRY	MEDIUM/HIGH or MEDIUM*	30-40 min.
Lightweight – Synthetics (polyester, acrylic, etc.) and blends, lingerie, blouses, dresses	DAMP DRY	EXTRA LOW	20-30 min.

*Use the lowest temperature setting available on your dryer.

USING AIR FLUFF

for your **Benefit**

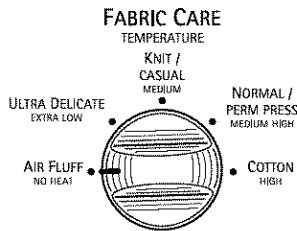
Use this cycle for all the benefits of hang drying with a shorter drying time.

Use the AIR FLUFF Cycle to get up to 80 or 90 minutes of drying time in room temperature air. Use this setting for items that will not tolerate heat such as plastics and foam rubber. Also use this setting for airing and fluffing items such as pillows.

To use AIR FLUFF:

- Set Cycle Selector Control for the number of minutes you want in the TIMED DRY Cycle.
- Set FABRIC CARE/TEMPERATURE Control to AIR FLUFF.
- Set other options, press PUSH TO START Button.

Refer to the following chart for examples of items that require drying without heat. Use the AIR FLUFF Setting, or place the items on a line or rack to air dry.



Type of Load	AIR FLUFF Setting
DELICATE FABRICS Sheer curtains (2 or 3 panels), gauze, lace, etc. (Use AIR FLUFF if low heat is not available.)	20-30 min.
RUBBER, PLASTIC, HEAT-SENSITIVE FABRICS Foam rubber – Pillows, padded bras, stuffed toys • Make sure coverings are securely stitched. • Shake and fluff pillows by hand several times during the cycle. • Make sure pillows are completely dry. Foam rubber pillows take a long time to dry.* Plastic – Shower curtains, tablecloths Rubber-backed rugs Olefin, Polypropylene, Sheer nylon	20-30 min. 20-30 min. 40-50 min. 10-20 min.

*Reset time, as needed, to allow these items to dry completely.

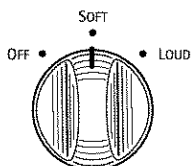
END-OF-CYCLE SIGNAL CONTROL

for your **Benefit**

Your dryer sounds a signal when a drying cycle is finished. The signal is helpful when you are drying permanent press, synthetics, and other items. These items should be removed from the dryer as soon as it stops in order to prevent wrinkles.

- The volume of the signal can be adjusted.

SIGNAL END OF CYCLE



PUSH TO START BUTTON

Use this control to start the dryer. Be sure the dryer door is closed.

Opening the door stops the dryer. It will not start again until you close the door and press the PUSH TO START Button. Be sure the Cycle Selector Control (Timer) is still on a drying cycle or air setting.

SOFT-HEAT® SYSTEM

for your **Benefit**

SOFT-HEAT® System guards against overdrying. This helps your fabrics retain the natural moisture they need, prevents static, and reduces pilling – the formation of small lint-like balls on the surface of garments. Pilling is the natural result of washing and wearing of garments.

Kenmore ELITE™ dryers help prevent overdrying so you get outstanding fabric care. In the EVENHEAT™ with AUTO MOISTURE SENSING PLUS and TIMED DRY Cycles, clothes are dried at the temperature you selected until the last few minutes of the cycle. The dryer then switches to low heat.

COOL DOWN

Approximately ten minutes before the end of the EVENHEAT™ with AUTO MOISTURE SENSING PLUS and TIMED DRY Cycles, clothes are tumbled without heat to help reduce wrinkles and make clothes more comfortable to handle.

USING WRINKLE GUARD®

for your **Benefit**

WRINKLE GUARD® helps keep your permanent press items wrinkle free when you don't unload the dryer promptly at the end of the automatic cycle.

If you do not open the door at the end of the automatic cycle, WRINKLE GUARD® will tumble the clothes without heat for about 15 seconds periodically throughout the cycle.

- On dryers with WRINKLE GUARD® II, periodic tumbling will continue for about 40 minutes unless you open the dryer door.
- On dryers with WRINKLE GUARD® III, periodic tumbling will continue for about 2½ hours unless you open the dryer door.
- WRINKLE GUARD® III has a selectable ON/OFF Option. When WRINKLE GUARD® III is set at OFF, the dryer stops after Cool Down and may be unloaded.

The END OF CYCLE SIGNAL will sound after each period of tumbling, unless it is off.

TUMBLE FREE™ HEATED DRYER RACK

Your dryer may include a drying rack. If your dryer does not have a drying rack, you can purchase one by calling Sears (see back cover).

for your **Benefit**

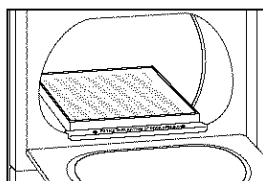
Use the TUMBLE FREE™ heated dryer rack for items that you do not want to tumble dry, such as sweaters and tennis shoes. When you use the heated dryer rack, the heated air inside the dryer flows in a concentrated pattern to allow efficient and uniform drying.

To use the heated dry rack:

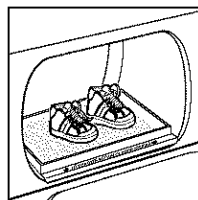
Do not remove lint screen.

STEP 1. Open dryer door.

STEP 2. Slide dryer rack over the bottom of the dryer door opening. Push down to secure it on the frame.



STEP 3. Place wet items on top of the dryer rack. Allow space around items for air to circulate. The rack does not move, but the drum will rotate. Make sure items do not hang over the edges or between rack grill.



STEP 4. Close dryer door.

STEP 5. Use the TIMED DRY cycle. Refer to the chart below.

STEP 6. Set the FABRIC CARE/TEMPERATURE Control. Refer to the chart below.

STEP 7. Start the dryer.

To remove the dryer rack, lift it straight up and out of the dryer.

NOTE: Check the lint screen and remove any lint accumulated from items dried on the rack.

Suggested Items for Rack Drying	FABRIC CARE/ Temperature Setting	Cycle Selector (Timer) Setting	Suggested Time (minutes)*
Washable wool items (block to shape and lay flat on rack)	ULTRA DELICATE	TIMED DRY	20
Stuffed toys (cotton or polyester fiber filling)	COTTON	TIMED DRY	20
Stuffed toys (foam rubber filling)	AIR FLUFF		50
Galoshes (rubber)	AIR FLUFF		20
Foam rubber pillows	AIR FLUFF		50
Tennis shoes	AIR FLUFF		20

*Reset time, as needed, to complete drying.

LAUNDRY TIPS

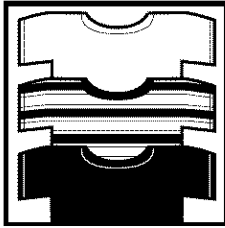
for your **Benefit**

Follow these recommendations to help save on utility bills and prolong the life of your garments.

PREPARING CLOTHES FOR DRYING

- Refer to your Washer Owner's Manual for proper washing techniques and additional laundry tips.
- See page 6 of this book for Important Safety Instructions.

SORTING CLOTHES



- Separate dark colors from light colors; colorfast from non-colorfast. Items properly sorted by color for washing are usually properly sorted for drying.
- Separate heavy fabrics (denim, towels) from light fabrics (synthetics, permanent press).
- Separate lint givers (towels, chenille) from lint takers (corduroy, synthetics, permanent press). When possible, turn lint takers inside out.

CHOOSING LOAD SIZES

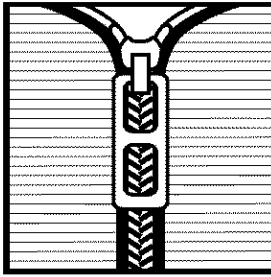
- Mix large items with small items. Load the dryer by the amount of space items take up, not by their weight. Do not overload the dryer. Overcrowding causes uneven drying and wrinkling, and can cause items to wear out faster (because of pilling).
- You may need to rearrange large items (sheets, blankets, tablecloths) during a cycle to reduce balling or rolling up.
- For better tumbling action, when drying only a few small items, add one or two lint-free towels. This also prevents small lightweight items from blocking airflow.

KING SIZE™ CAPACITY DRYERS

Heavy Work Clothes	Towels	Mixed Load
4 jeans	10 bath towels	3 sheets (1 king, 2 twin)
4 workpants	10 hand towels	4 pillowcases
4 workshirts	14 wash cloths	3 shirts
2 sweatshirts		3 blouses
2 sweatpants		9 T-shirts
		9 shorts
		10 handkerchiefs

ENGLISH

DRYING TIPS



- Close zippers, snaps, and hooks to avoid snagging other items. Remove heat-sensitive trim that can be damaged by drying. Tie strings and sashes so they will not tangle.
- Check garments for spots and stains left after washing. Do not tumble these items. Heat may permanently set stains.
- Check pockets before drying. Sharp or metal objects can damage your dryer. Do not lay these objects on your dryer, they can damage the finish. Turn pockets of heavy garments inside out for even drying.
- Place small items such as baby socks or hankies in laundry bag for easier removal.
- Articles to be ironed should be removed while still damp.

USING DRYER FABRIC SOFTENERS

Dryer fabric softeners are recommended for reducing static cling. Always follow package instructions carefully.

- Put one fabric softener sheet on top of the load before starting the dryer. Do not add a fabric softener sheet after the drying cycle has started. Instant heat can cause the fabric softener to spot fabrics.
- Remove fabric softener stains by wetting the stains and rubbing them with liquid detergent or bar soap and rewash.
- Some fabric softeners can clog the lint screen and slow drying. Use fabric softeners labeled as dryer safe.

SAVING ENERGY

- Sort loads by fabric weight and type.
- Use the automatic cycle to dry most loads.
- Dry full loads only. Do not overdry.
- Avoid overloading dryer, adding wet items to a partly dried load, or opening the door unnecessarily.
- Shorten drying times by exhausting dryer properly and cleaning exhaust vent and outside exhaust hood as needed.
- Keep the lint screen clean.
- Use dryer where room air temperature is above 45°F.

CARING FOR YOUR DRYER

CLEANING YOUR DRYER

for your **Benefit**

Proper care of your dryer can extend its life and help you avoid costly service calls.

EXTERIOR

Use a soft, damp cloth to clean the cabinet and console. Avoid using harsh abrasives. Do not put sharp metal objects on or in your dryer. They can damage the finish.

INTERIOR

⚠ WARNING



Explosion Hazard

Use nonflammable cleaner.

Failure to do so can result in death, explosion, or fire.

Garments that contain unstable dyes, such as denim blue jeans or brightly colored cotton items, may discolor the drum interior. These stains are not harmful to your dryer and will not stain future loads of clothes. It is helpful to dry unstable dye items inside out to prevent dye transfer.

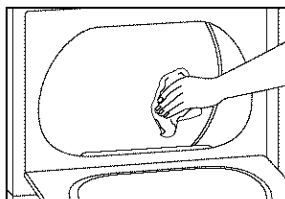
To clean dryer drum:

STEP 1. Make a paste with detergent and very warm water and apply to a soft cloth. Continue with STEPS 2-4.

or

STEP 1a. Spray non-flammable liquid household cleaner on the stained area. Continue with STEPS 2-4.

STEP 2. Scrub area until all excess dye is removed.



STEP 3. Wipe thoroughly with a damp cloth.

STEP 4. Tumble a load of clean towels for 20 minutes to dry.

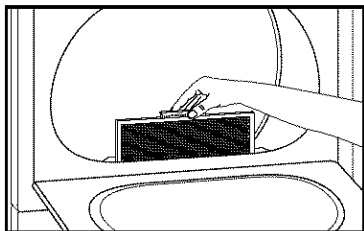
CLEANING THE LINT SCREEN

Remove Lint Before Every Load

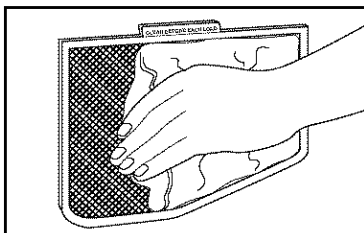
The lint screen is located in the door opening. Remove lint before starting every load. A screen blocked by lint can increase drying time.

To clean:

STEP 1. Pull the lint screen straight up.



STEP 2. Roll lint off the screen with your fingers. Do not rinse or wash screen to remove lint. Wet lint is hard to remove.



STEP 3. Push the lint screen firmly back into place.

IMPORTANT:

- Do not run the dryer with the lint screen loose, damaged, blocked, or missing. Doing so can cause overheating and damage to both the dryer and fabrics.
- Some towels made of synthetic fibers and natural fibers (polyester and cotton blends) may shed more lint than other towels, causing your dryer's lint screen to fill up faster. Be sure to remove lint from the lint screen before and after drying new towels.
- If lint falls off the screen during removal and into the dryer, periodically check the exhaust hood and remove the accumulated lint (see "Connect Exhaust").

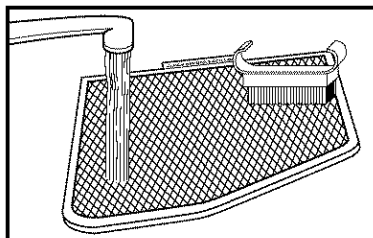
Wash Lint Screen As Needed

Laundry detergents and fabric softeners can cause a residue buildup on the lint screen. Wash the lint screen with a nylon brush if it becomes clogged due to a residue buildup.

To wash:

STEP 1. Wet both sides of lint screen with hot water.

STEP 2. Wet a nylon brush with hot water and liquid detergent; scrub lint screen with the brush to remove residue buildup.



STEP 3. Rinse screen with hot water.

STEP 4. Thoroughly dry lint screen with a clean towel; replace in dryer.

CHECKING FOR OBSTRUCTED AIRFLOW

From time to time, you may find it helpful to check your dryer and exhaust system for proper airflow. Poor airflow can result in longer drying times.

To check for obstructed airflow:

STEP 1. Check to ensure nothing is blocking ventilation slots on dryer rear panel.

STEP 2. Inspect exhaust hood. It should not be blocked or obstructed.

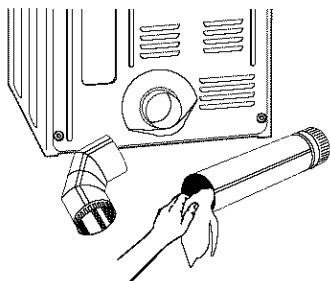
REMOVING ACCUMULATED LINT

To remove accumulated lint from exhaust vent:

STEP 1. Disconnect exhaust vent from the dryer.

STEP 2. Clean one section of vent at a time until you reach the exhaust hood. To clean out lint, you can use the hose attachment on your vacuum, or use a pole or wire with a feather duster or rag attached.

STEP 3. Reconnect vent as described in the "INSTALLATION INSTRUCTIONS" of this Owner's Manual.



To remove accumulated lint from inside the dryer:

Lint should be removed every 2 years, or more often, depending on dryer usage. Cleaning should be done by a qualified person.

MOVING CARE

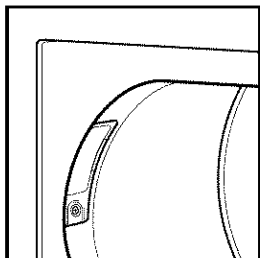
- Disconnect power.
- Close shut-off valve in gas supply line.
- Disconnect gas supply line pipe and remove fittings attached to dryer pipe.
- Cap the open fuel supply line.
- Make sure leveling legs are secure in dryer base.
- Use masking tape to secure dryer door.

VACATION CARE

- Disconnect power.
- Close shut-off valve in gas supply line.
- Wash lint screen.

CHANGING THE DRUM LIGHT

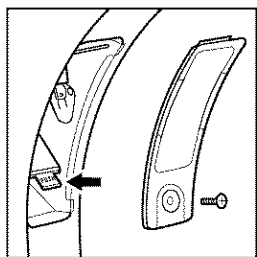
The dryer light automatically turns on inside the dryer drum when you open the door. Your dryer drum light may be one of two types, as shown.



To change drum light type 1:

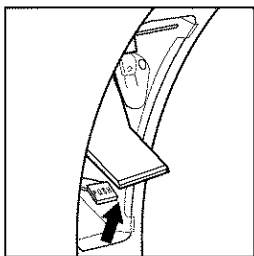
STEP 1. Unplug dryer or disconnect power.

STEP 2. Open the dryer door. Remove the screw that holds the lens in place.



STEP 3. Remove the lens by pulling it down and away from drum.

STEP 4. Push tab to allow bulb to swing out.



STEP 5. Remove the light bulb by turning it counterclockwise.

STEP 6. Install light bulb by turning it clockwise. Replace the bulb with a 15-watt, appliance bulb only.

STEP 7. Push bottom of light and socket assembly in until tab locks.

STEP 8. Place the top of the lens onto the top of the holder. Rotate the bottom of the lens down until it is in place. Replace screw.

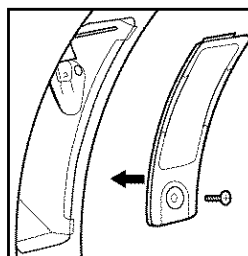
NOTE: It is very important that the lens is replaced properly.

STEP 9. Plug in dryer or reconnect power.

To change drum light type 2:

STEP 1. Unplug dryer or disconnect power.

STEP 2. Open the dryer door. Remove the screw that holds the lens in place.



STEP 3. Remove the lens by pulling it down and away from drum.

STEP 4. Remove the light bulb by turning it counterclockwise.

STEP 5. Install light bulb by turning it clockwise. Replace the bulb with a 15-watt, appliance bulb only.

STEP 6. Place the top of the lens onto the top of the holder. Rotate the bottom of the lens down until it is in place. Replace screw.

NOTE: It is very important that the lens is replaced properly.

STEP 7. Plug in dryer or reconnect power.

TROUBLESHOOTING

for your **Benefit**

Most laundering problems are easily solved if you understand the cause. Using the charts below will save you time and money by helping you avoid unnecessary service calls.

Problem	Possible Cause	Solution
Not Drying Satisfactorily	Lint screen is clogged with lint.	Clean lint screen.
	Restricted air movement. Exhaust vent or outside exhaust hood is clogged with lint.	Run dryer for 5-10 minutes. Hold hand under outside exhaust hood to check air movement. If you do not feel air moving, clean exhaust system of lint or replace exhaust vent with heavy metal or flexible metal vent (see "Installation Instructions," Section D).
	Exhaust vent is crushed or kinked.	Replace with heavy metal or flexible metal vent (see "Installation Instructions," Section D).
	Gas valve on supply line is closed.	Open all valves.
	Timer or the temperature control is set on AIR FLUFF.	Select the right cycle for the types of garments being dried (see "Operating Your Dryer").
	Load not contacting the sensor strips and automatic cycle ending early.	Level dryer (see "Installation Instructions," Section B).
	Fabric softener sheets blocking outlet grill.	Use only one softener sheet per load and only use it once.
	Dryer located in room with temperature below 45°F.	Move dryer where it can operate in ambient air temperatures above 45°F.
	Large amount of moisture in the load.	Expect longer dry times with items that hold more moisture (cottons).
	Cold rinse water used.	Expect longer dry times, but you are saving energy and reducing wrinkles.
Dryer Will Not Run	Load too large and bulky to dry quickly.	Separate load to tumble freely.
	Power cord not firmly plugged into a live circuit with proper voltage.	Plug power cord into a live circuit.
	Fuse blown or circuit breaker tripped.	Replace fuse or reset breakers.

Problem	Possible Cause	Solution
Dryer Will Not Run (con't)	Using a regular fuse.	Replace with a time-delay fuse.
	Dryer door not firmly closed.	Close dryer door tightly.
	PUSH TO START Button not firmly pressed.	Press PUSH TO START Button again.
	Controls not set in an ON position.	Reset controls in an ON position.
Lint in Load	Lint screen is clogged.	Clean lint screen. Check for air movement.
	Improper sorting.	Sort lint givers from lint takers and by color.
	Load is too big or heavy.	Dry smaller loads so lint can be carried to the lint screen.
	Load is overdried.	Use correct dryer settings for fabric. Overdrying can cause lint-attracting static (see "Operating Your Dryer").
	Paper or tissue in pockets.	Clean out pockets before drying.
	Pilling being mistaken for lint.	Pilling (surface fuzz) is caused by normal wear and laundering.
Stains on Load	Improper use of fabric softener in washer.	Use fabric softener sheets in dryer. Add at beginning of cycle when load is cold.
	Drying soiled items.	Items need to be clean before being dried.
Items Shrinking	Overdrying.	Match dryer settings to fabric type (see "Operating Your Dryer").
	Poor garment quality.	Check quality of garment before purchasing.
	Manufacturer's care label instructions not followed.	Follow fabric care label instructions carefully.
Loads are Wrinkled	Overloading.	Dry smaller loads that can tumble freely.
	Overdrying.	Match dryer settings to fabric type (see "Operating Your Dryer").
	Load left in dryer at the end of cycle.	Remove load as soon as tumbling stops.
Odors	Household chemicals, paint, or varnish being drawn into dryer.	Do not use dryer while these chemical fumes are in the air.
	Gas Leak	Turn off gas supply line. Leave your house, then call your local gas company.
Unusual Sounds	Clicking (Gas Dryers) – gas valve clicking.	Normal operation.
	Thumping of rollers when dryer has set.	Thump will go away after 5 minutes of drying.

SEARS MAINTENANCE AGREEMENT

KENMORE ELITE™ DRYERS

“We Service What We Sell” is our assurance that you can depend on Sears for service. Your Kenmore ELITE™ appliance has added value when you consider that Sears has service units nationwide, staffed with professional technicians trained on all appliances Sears sells. They have the knowledge and skills, tools, parts, and equipment to ensure our pledge to you that “We Service What We Sell.”

Maintain the value of your purchase with a Sears Maintenance Agreement. Kenmore ELITE™ appliances are designed, manufactured, and tested for years of dependable operation. Yet, any appliance may require service from time to time. The Sears Maintenance Agreement offers you an outstanding service program for your product.

The Sears Maintenance Agreement:

- Is your way to buy tomorrow’s service at today’s prices.
- Eliminates repair bills resulting from normal use.
- Allows for as many service calls as required.
- Provides an annual Preventive Maintenance Check at your request to keep your Kenmore ELITE™ appliance in proper running condition.

For more information call:

1-800-827-6655

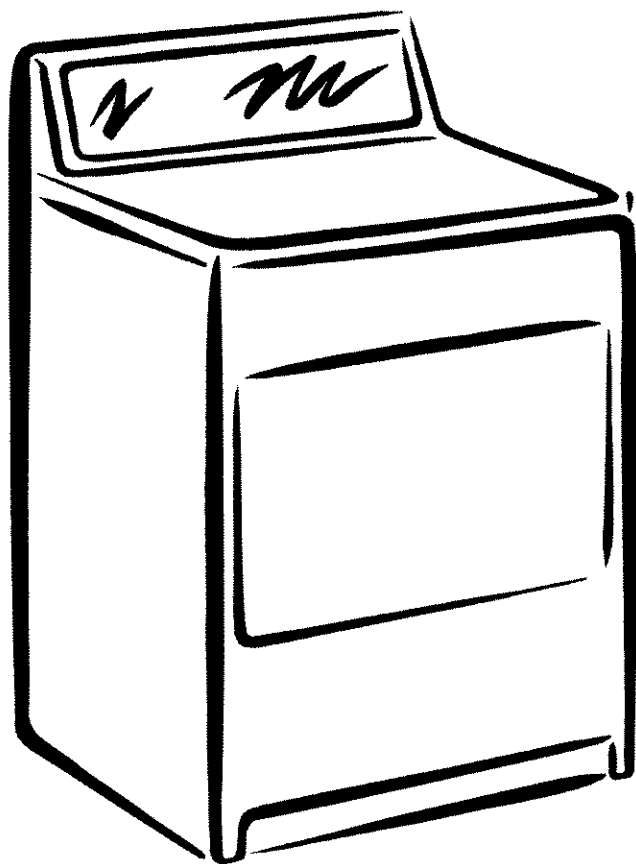
NOTES

Manual del propietario e instrucciones de instalación



SECADORAS A GAS

68.5 cm (27 pulg.) de ancho



ENGLISH ESPAÑOL



IMPORTANTE:

Lea y siga todas las instrucciones de seguridad y de modo de empleo antes de usar este producto por primera vez.

Sears, Roebuck and Co., Hoffman Estates, IL 60179 U.S.A.
www.sears.com

ADVERTENCIA: Para su seguridad, la información en este manual debe ser observada para minimizar el riesgo de incendio o explosión, o para prevenir daños a propiedades, heridas o la muerte.

- No almacene o use gasolina u otros líquidos y vapores inflamables cerca de éste u otro aparato electrodoméstico.
- **PASOS QUE USTED DEBE SEGUIR SI HUELE A GAS:**
- No trate encender ningún aparato electrodoméstico.
- No toque ningún enchufe eléctrico; no use ningún teléfono en su edificio.
- Desolaje a todos los ocupantes del cuarto, edificio o área.
- Llame inmediatamente a su proveedor de gas desde el teléfono de un vecino. Siga las instrucciones de su proveedor de gas.
- Si usted no puede comunicarse con su proveedor de gas, llame al departamento de bomberos.
- La instalación y el servicio deben ser efectuados por un instalador calificado, una agencia de servicio o por el proveedor de gas.

CONTENIDO

ANTES DE USAR SU NUEVA SECADORA	3
GARANTÍA DE LA SECADORA A GAS KENMORE ELITE™	4
SEGURIDAD DE LA SECADORA	5
INSTRUCCIONES DE INSTALACIÓN	7
FUNCIONAMIENTO DE LA SECADORA	24
SUGERENCIAS DE LAVANDERÍA	31
CUIDADO DE LA SECADORA	33
LOCALIZACIÓN Y REPARACIÓN DE AVERÍAS	37
ACUERDO DE MANTENIMIENTO SEARS	39

ANTES DE USAR SU NUEVA SECADORA

Por favor, lea esta manual, pues le ayudará a instalar y a usar su nueva secadora Kenmore ELITE™ de la manera más económica.

Para obtener información adicional acerca del cuidado y el funcionamiento de aparatos electrodomésticos Kenmore ELITE™, llame al establecimiento Sears más cercano. Necesitará tener a mano los números completos del modelo y de serie de su secadora, los cuales se encuentran en la placa de Números de modelo y de serie en la secadora.

Utilice el espacio a continuación para escribir el número de modelo y el número de serie de su nueva secadora Kenmore ELITE™.

No. del modelo _____

No. de serie _____

Fecha de compra _____



Guarde este manual y el comprobante de venta (el recibo) en un lugar seguro para consultar en el futuro.

GARANTÍA DE LA SECADORA A GAS KENMORE ELITE™

Garantía integral de 1 año en las piezas mecánicas y componentes eléctricos

Durante un año desde la fecha de compra, siempre y cuando se haya instalado y empleado la secadora de acuerdo con las instrucciones en este manual, Sears reparará o reemplazará cualquier pieza mecánica o eléctrica de esta secadora que exhiba algún defecto de material o mano de obra.

NOTA: Es posible que el uso de un conducto de ventilación de plástico cancele la garantía del fabricante para la secadora. Las páginas 18 a 22 de este Manual del propietario describen en detalle los requisitos de ventilación para la secadora.

Garantía limitada

Si la secadora se utiliza con fines comerciales, es decir, si su uso no es solamente familiar, la garantía arriba mencionada sólo estará vigente por 90 días.

Servicio en virtud de la garantía

Si desea servicio de reparación o servicio técnico en virtud de la garantía, comuníquese con el Centro de Servicio Sears más cercano en los EE.UU.

Esta garantía estará vigente sólo mientras este producto se utilice dentro de los EE.UU.

Esta garantía otorga al usuario ciertos derechos legales específicos, y es posible que el usuario goce de otros derechos, los cuales varían de un estado al otro.

**Sears, Roebuck and Co., Dept. 817WA,
Hoffman Estates, IL 60179**

Para obtener información respecto a la garantía o para ponerse en contacto con el Centro de Servicio Sears, llame al 1-800-676-5811.

SEGURIDAD DE LA SECADORA

Su seguridad y la seguridad de los demás es muy importante.

Hemos incluido muchos mensajes importantes de seguridad en este manual y en su electrodoméstico. Lea y obedezca siempre todos los mensajes de seguridad.



Este es el símbolo de advertencia de seguridad. Este símbolo le llama la atención sobre peligros que pueden ocasionar la muerte o una lesión a usted y a los demás. Todos los mensajes de seguridad irán precedidos por el símbolo de advertencia de seguridad y la palabra "PELIGRO" o "ADVERTENCIA". Estas palabras significan:

▲ PELIGRO

Si no sigue las instrucciones, usted morirá o sufrirá una lesión grave.

▲ ADVERTENCIA

Si no sigue las instrucciones, usted puede morir o sufrir una lesión grave.

Todos los mensajes de seguridad identificarán el peligro, le informarán cómo reducir las posibilidades de sufrir una lesión y lo que puede suceder si no siguen las instrucciones.

INSTRUCCIONES IMPORTANTES DE SEGURIDAD

ADVERTENCIA: A fin de reducir el riesgo de incendio, descarga eléctrica o de daño a las personas que usen la secadora, deben seguirse las precauciones básicas, incluyendo las siguientes:

- Lea todas instrucciones antes de usar la secadora.
- No coloque los objetos expuestos a aceites para cocinar en su secadora. Los objetos expuestos a aceites para cocinar pueden contribuir a una reacción química que podría causar que una carga se inflame.
- No seque artículos que ya se hayan limpiado, lavado, remojado o manchado con gasolina, disolventes de limpieza en seco, u otras sustancias inflamables o explosivas, ya que despiden vapores que pueden encenderse o causar una explosión.
- No permita que jueguen los niños sobre o dentro de la secadora. Es necesaria la cuidadosa vigilancia de los niños toda vez que se use la secadora cerca de ellos.
- Quite la puerta de la secadora antes de ponerla fuera de funcionamiento o de descartarla.
- No introduzca las manos en la secadora cuando el tambor está en movimiento.
- No instale o almacene esta secadora donde estará expuesta al agua o a la intemperie.
- No trate de forzar los controles.
- No repare o reemplace ninguna pieza de la secadora ni trate de repararla a menos que esto se recomiende específicamente en el Manual del propietario o en instrucciones de reparación publicadas para el usuario que usted comprenda y sólo si cuenta con la experiencia necesaria para llevar a cabo dicha reparación.
- No utilice suavizadores de tejidos o productos para eliminar el estático de prendas a menos que lo recomiende el fabricante del suavizador de tejidos o las instrucciones del producto en uso.
- No utilice calor para secar prendas que contengan espuma de caucho o materiales de caucho con textura similar.
- Limpie el filtro de pelusa antes o después de cada carga de ropa.
- Mantenga el área alrededor de la abertura de ventilación y las áreas adyacentes a esta abertura sin pelusa, polvo o suciedad.
- La parte interior de la máquina y el conducto de ventilación se deben limpiar periódicamente. Esta limpieza la debe llevar a cabo un reparador calificado.
- Vea las "INSTRUCCIONES DE INSTALACIÓN" para los requisitos de conexión a tierra.

GUARDE ESTAS INSTRUCCIONES

IMPORTANTE: La instalación de gas debe hacerse de acuerdo con los códigos locales, o si no los hay, con el Código de gas nacional (National Fuel Gas Code), ANSI Z223.1.

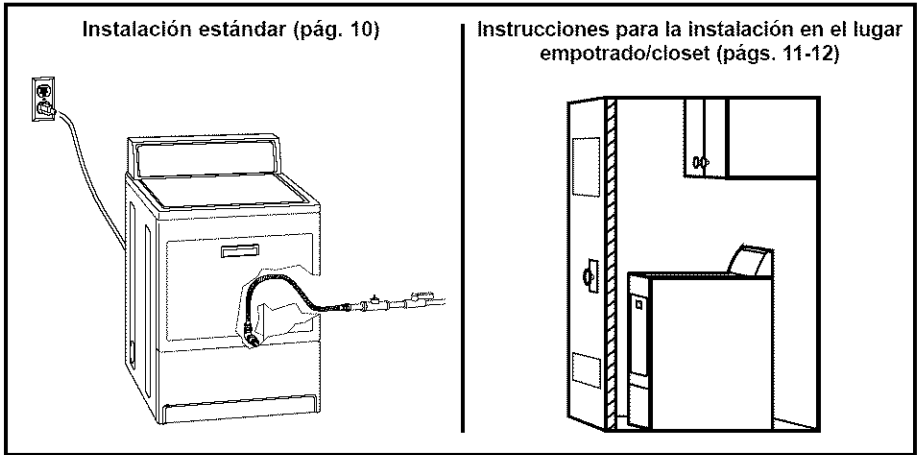
El sistema eléctrico de la secadora debe estar puesto a tierra de acuerdo con los códigos locales, o si no los hay, con el Código Nacional Eléctrico (National Electrical Code), ANSI/NFPA 70.

INSTRUCCIONES DE INSTALACIÓN

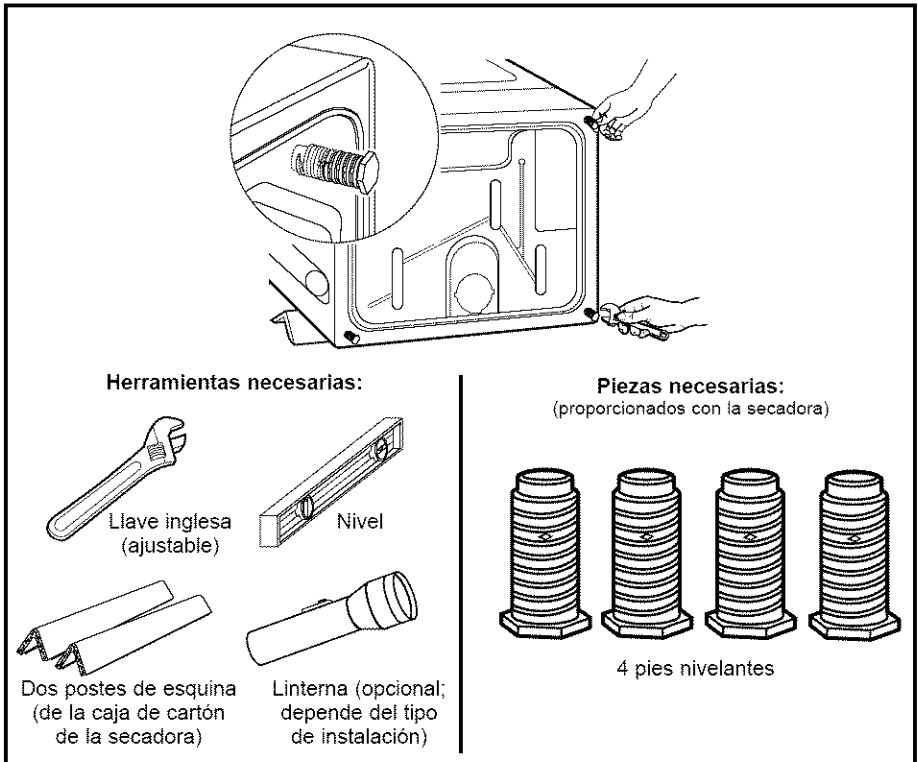
RESUMEN DE LA INSTALACIÓN

Si desea una lista completa de las herramientas y las piezas necesarias, consulte las páginas 7-9.

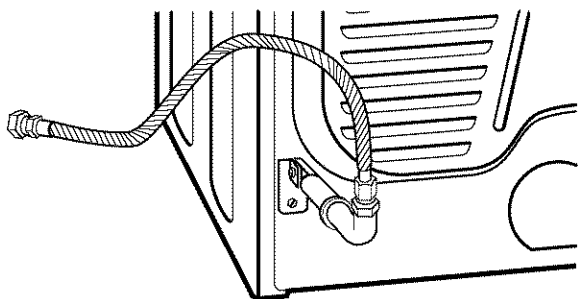
A. ESCOJA EL LUGAR DONDE DESEA INSTALAR LA SECADORA (págs. 10-13)



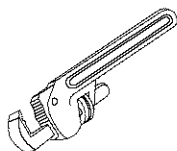
B. INSTALACIÓN DE PIES NIVELANTES (pág. 14)



C. INSTALACIÓN DE LA LÍNEA DE GAS (págs. 15-17)



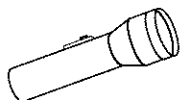
Herramientas necesarias:



Llave ajustable para tubería de 20,3 cm o 25,4 cm (8 ó 10 pulgadas)



Pegamento de unión de tubos resistente al gas L.P.

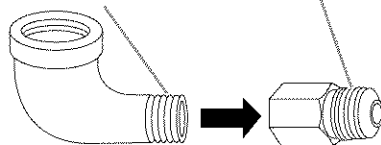


Linterna (opcional; depende del tipo de instalación)

Piezas necesarias:

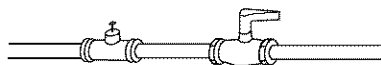
Utilice pegamento de unión de tubos

No utilice pegamento de unión de tubos

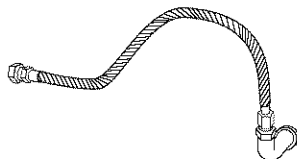


Tubo acodado reductor de 0,95 cm a 0,95 cm (3/8 a 3/8 de pulg.)

Conexión filete macho de 0,95 cm (3/8 de pulg.)

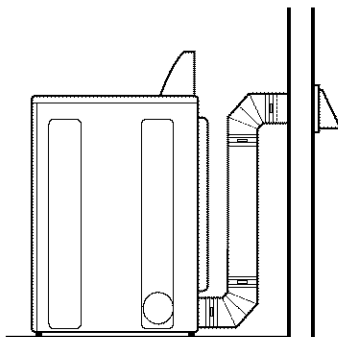


Línea rígida de suministro de gas aprobada para el uso de gas natural
(NOTA: es posible que necesite adaptadores adicionales)

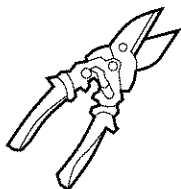


1,22 m o 1,83 m (4 pies o 6 pies) de línea de gas flexible de acero inoxidable de 0,95 cm (3/8 de pulg.) de diámetro

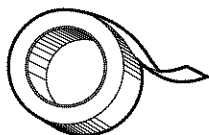
D. CONEXIÓN DE VENTILACIÓN (págs. 18-22)



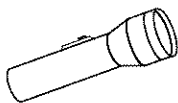
Herramientas necesarias:



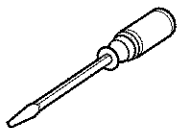
Tijeras de estaño



Cinta para conductos metálicos

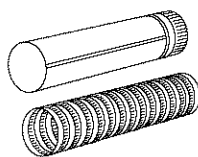


Linterna (opcional; depende del tipo de instalación)

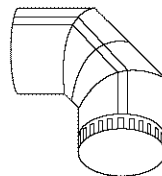


Destornillador plano

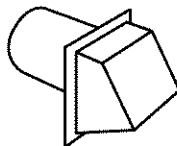
Piezas necesarias:



Conducto de ventilación rígido o flexible de metal pesado de 10,2 cm (4 pulg.)



Codillos de metal de 10,2 cm (4 pulg.) (opcional, depende de la instalación)



Capota de ventilación de 10,2 cm (4 pulg.)



(4) Abrazaderas de 10,2 cm (4 pulg.)

A. ESCOJA EL LUGAR DONDE DESEA INSTALAR LA SECADORA

para su **Provecho**

Es importante seleccionar la ubicación adecuada de la secadora para facilitar la instalación y obtener el mejor rendimiento posible.

INSTALACIÓN ESTÁNDAR

Revise el lugar en donde se instalará la secadora. Ud. es responsable de que la instalación se lleve a cabo correctamente. Asegúrese de tener todo lo necesario para la instalación correcta (véase la ilustración a continuación).

No instale esta secadora donde estará expuesta al agua o a la intemperie.

- El funcionamiento adecuado de los ciclos de la secadora requieren una temperatura superior a 7°C (45°F) (en temperaturas más bajas es posible que la secadora no se apague al final de los ciclos automáticos y se extenderá el tiempo requerido para secar la ropa).
- Utilice por lo menos el espacio de instalación mínimo descrito en la página 12. Esto asegurará que haya espacio suficiente para reparaciones y para el funcionamiento adecuado, incluyendo el flujo de aire de ventilación y de gases, y que haya suficiente distancia de cualquier material que pueda causar un incendio.

⚠ **ADVERTENCIA**



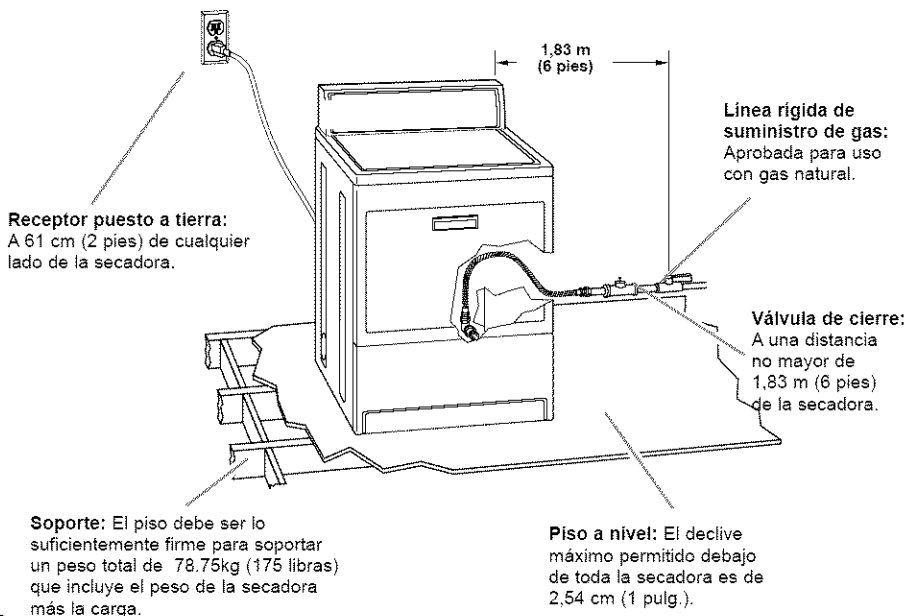
Peligro de Explosión

Mantenga los materiales y vapores inflamables, como la gasolina, lejos de la secadora.

Coloque la secadora a un mínimo de 46 cm sobre el piso para la instalación en un garaje.

No seguir estas instrucciones puede ocasionar la muerte, explosión o incendio.

- Asegúrese de que la ubicación seleccionada permita una instalación con ventilación adecuada. Las secadoras a gas deben tener ventilación hacia el exterior de la casa. Véase las páginas 18-22 para obtener información completa en cuanto a los requisitos de ventilación.
- Estudie los requisitos legales de los códigos de su área. Algunos códigos limitan o no permiten la instalación de secadoras en garajes, closets, casas rodantes o en dormitorios. Comuníquese con un inspector de construcción local.



INSTRUCCIONES PARA LA INSTALACIÓN EN UN LUGAR EMPOTRADO/CLOSET

Esta secadora se puede instalar en un espacio empotrado o en un closet.

No instale esta secadora donde estará expuesta al agua o a la intemperie.

- El funcionamiento adecuado de los ciclos de la secadora requieren una temperatura superior a 7°C (45°F) (en temperaturas más bajas es posible que la secadora no se apague al final de los ciclos automáticos y se extenderá el tiempo requerido para secar la ropa).
- Utilice por lo menos el espacio de instalación mínimo descrito en la página 12. Esto asegurará que haya espacio suficiente para reparaciones y para el funcionamiento adecuado, incluyendo el flujo de aire de ventilación y de gases, y que haya suficiente distancia de cualquier material que pueda causar un incendio.
- Asegúrese de que la ubicación seleccionada permita una instalación con ventilación adecuada. **Las secadoras a gas deben tener ventilación hacia el exterior de la casa.** Véase las páginas 18-22 para obtener información completa en cuanto a los requisitos de ventilación.
- Estudie los requisitos legales de los códigos de su área. Algunos códigos limitan o no permiten la instalación de secadoras en garajes, closets, casas rodantes o en dormitorios. Comuníquese con un inspector de construcción local.

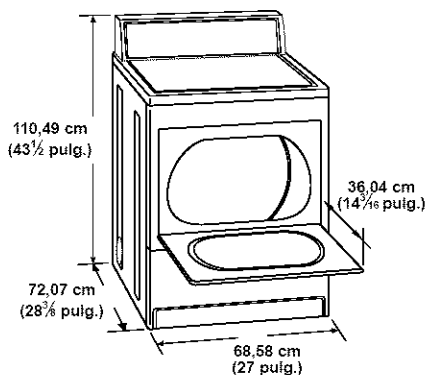
ADVERTENCIA: Para reducir el riesgo de incendios, este electrodoméstico **DEBE TENER VENTILACIÓN HACIA EL EXTERIOR DE LA CASA.**

NOTA: No instale aparatos electrodomésticos que funcionen a base de quemado de gas en el mismo closet con la secadora.

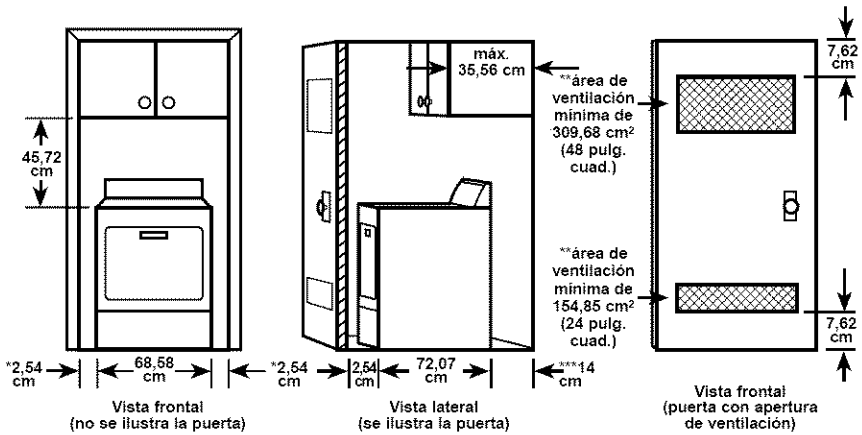
DIMENSIONES DE LA SECADORA

La mayoría de las instalaciones requerirán por lo menos una distancia de 12,7 cm (5 pulg.) detrás de la secadora para el conducto de ventilación.

El lugar de instalación debe proporcionar suficiente espacio como para poder abrir la puerta de la secadora completamente.



ESPACIO MÍNIMO DE INSTALACIÓN



* Quizás sea necesario dejar espacios libres adicionales para las molduras de las paredes, puertas y pisos. Se acepta un espacio de 0 cm pero no se recomienda.

** El espacio de instalación es el mínimo requerido para puertas de closets. Las puertas con persianas deben tener el mismo espacio de ventilación.

*** Se necesita espacio adicional si se utiliza el conector de ventilación externo. El espacio puede ser 0 cm cuando la ventilación de la casa está alineada directamente con la ventilación de la secadora.

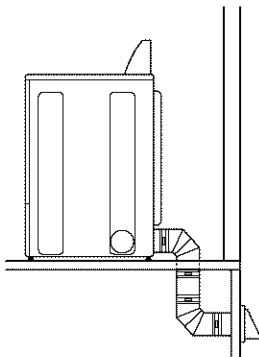
- En la ilustración previa, el espacio de instalación se especifica en centímetros y es el mínimo que se permite.
- Se recomienda que haya espacio adicional para facilitar la instalación y reparación de la secadora.
- Si se instala una puerta de closet, es necesario incluir los espacios mínimos de ventilación en la parte superior e inferior de la puerta. Se permite el uso de puertas con persianas con espacios de ventilación equivalentes en la parte superior e inferior de la puerta.
- Todas las instalaciones deben ventilarse hacia afuera. Use por lo menos las distancias mínimas indicadas.

REQUISITOS DE ESCAPES DE CASAS RODANTES

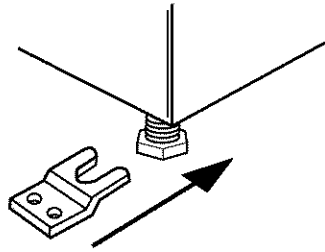
- No instale esta secadora donde estará expuesta al agua o a la intemperie. El funcionamiento adecuado de los ciclos de la secadora requieren una temperatura superior a 7°C (45°F) (en temperaturas más bajas es posible que la secadora no se apague al final de los ciclos automáticos y se extenderá el tiempo requerido para secar la ropa).
- Utilice por lo menos el espacio de instalación mínimo descrito en la página 12. Esto asegurará que haya espacio suficiente para reparaciones y para el funcionamiento adecuado, incluyendo el flujo de aire de ventilación y de gases, y que haya suficiente distancia de cualquier material que pueda causar un incendio.
- Se debe hacer una instalación especial para introducir aire del exterior de la casa a la secadora cuando se instala dentro de una casa rodante. El área de cualquier abertura para la entrada de aire del exterior de la casa (tal como una ventana cercana) debe ser por lo menos el doble del tamaño de la abertura de ventilación de la secadora.

Esta secadora puede instalarse en casas rodantes. La instalación debe ser de acuerdo con el Estándar de seguridad y construcción de casas manufacturadas (Manufactured Home Construction and Safety Standard), Título 24 CFR, Parte 3280 [anteriormente conocido como Estándar federal para la seguridad y construcción de casas rodantes (Federal Standard for Mobile Homes Construction and Safety), Título 24, HUD Parte 280].

- El conducto de ventilación de la secadora no se debe conectar o asegurar con tornillos u otros dispositivos que se extiendan al interior del conducto.
- Las secadoras de gas se deben ventilar hacia afuera de la casa. El conducto de ventilación debe sujetarse firmemente en un lugar que no sea inflamable de la estructura de la casa rodante y no debe terminar en la parte subterránea de la casa rodante.



Las secadoras a gas que se utilizan en casas rodantes deben sujetarse de manera segura al piso. Adquiera el Juego de instalación para casas rodantes No. 346764 en su tienda Sears o Centro de Servicio Sears. Este juego incluye las piezas de sujeción necesarias así como instrucciones detalladas de instalación. También puede adquirir piezas para la instalación del sistema de escape por medio de la tienda Sears o Centro de Servicio Sears.



ADVERTENCIA: Para reducir el riesgo de incendios, este electrodoméstico **DEBE TENER VENTILACIÓN HACIA EL EXTERIOR DE LA CASA.**

B. INSTALACIÓN DE PIES NIVELANTES

para su **Provecho**

Asegúrese de que su secadora esté nivelada correctamente para reducir el ruido durante el secado y obtener mejor funcionamiento.

ADVERTENCIA

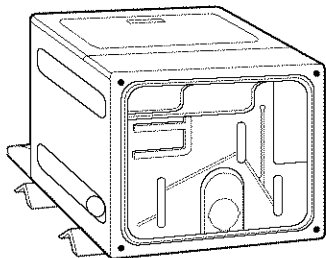
Peligro de Peso Excesivo

Use dos o más personas para mover e instalar la secadora.

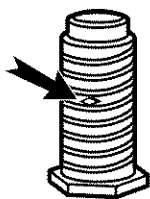
No seguir esta instrucción puede ocasionar una lesión en la espalda u otro tipo de lesiones.

PASO 1. Saque dos de las esquinas de cartón incluidas con la secadora. Colóquelas en el piso atrás de la secadora.

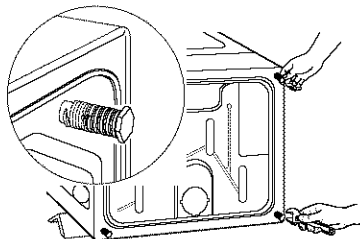
PASO 2. Tome el cuerpo de la secadora (no la parte superior o tablero de controles) firmemente con ambas manos. Acueste la secadora en forma delicada sobre su parte posterior sobre las esquinas de cartón.



PASO 3. Tome uno de los pies nivelantes y busque una marca con forma de diamante entre las roscas.

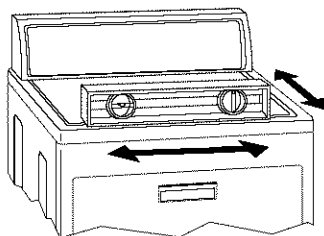


PASO 4. Empiece a atornillar los pies en los agujeros con la mano. Utilice una herramienta ajustable u otro tipo de herramienta para terminar de enroscar los pies nivelantes hasta llegar a la marca del diamante y que ésta no se pueda ver. Este es el momento en que recomendamos que revise si la secadora está nivelada. Es posible que sea necesario hacer ajustes finales más adelante.

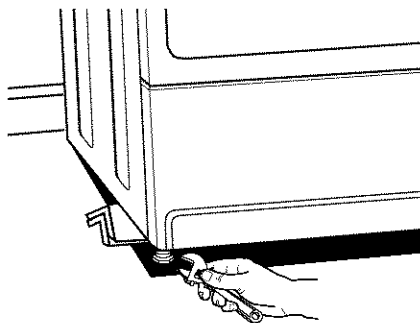


PASO 5. Levante la secadora hacia arriba y muévala cerca de su localización final. Deje suficiente espacio para conectar el escape de ventilación.

PASO 6. Coteje el nivel de la secadora colocando un nivel sobre la secadora, primero de lado a lado, luego de atrás hacia adelante.



PASO 7. Si la secadora no está nivelada, eleve la secadora con dos esquinas de cartón. Utilice una llave inglesa para ajustar los pies hacia arriba o hacia abajo.



NOTA: Es posible que sea necesario hacer ajustes finales después de mover la secadora a su posición final.

C. INSTALACIÓN DE LA LÍNEA DE GAS

para su Provecho

La conexión apropiada de gas asegura una instalación que cumple con los requisitos de códigos locales.

REQUISITOS DE GAS

⚠ ADVERTENCIA



Peligro de Explosión

Use una línea de suministro de gas nueva con aprobación AGA.

Conecte la secadora con el suministro de gas regulado que tenga una válvula de cierre.

Apriete firmemente todas las conexiones de gas.

Si se conecta a un suministro de gas L.P., la presión no debe exceder una columna de agua de 33 cm (13 pulg.) y debe ser verificada por una persona calificada.

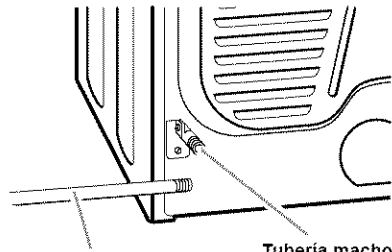
Ejemplos de una persona calificada incluyen: personal de servicio del sistema de calefacción con licencia, personal autorizado de la compañía de gas y personal autorizado para dar servicio.

No seguir estas instrucciones puede ocasionar la muerte, explosión o incendio.

Es su responsabilidad comunicarse con un instalador de líneas de gas calificado para asegurarse de tener gas natural.

- El diseño de esta secadora ha sido certificado por la American Gas Association (Asociación Americana de Gas) para el uso hasta 3,000 metros (10,000 pies) de altura sobre el nivel del mar con el nivel de B.T.U. indicado en la placa del número de modelo/serie. No se requiere el ajuste de entrada del quemador cuando la secadora se usa a este nivel máximo sobre el mar.

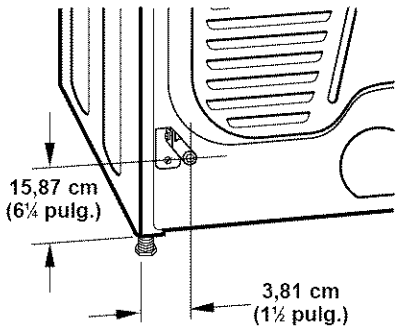
- Si la secadora se instala a un nivel superior a 3,000 metros (10,000 pies) de altura sobre el nivel del mar, se requiere una reducción de categoría de cuatro por ciento (4%) del quemador B.T.U. que se muestra en la placa de número de modelo/serie para cada aumento de 300 metros (1,000 pies) de altura. Para asistencia al convertir a otras clases de gas y/o instalación a más de 3,000 metros (10,000 pies) de altura sobre el nivel del mar comuníquese con su compañía local de servicio.
- Asegúrese de que su secadora tenga el quemador correcto para la clase de gas que usted tiene en su casa. La información del quemador se encuentra en la placa de capacidad en la puerta de la secadora. Si esta información no coincide con la clase de gas disponible, comuníquese con su tienda local de Sears o Centro de servicio Sears. Cualquier modificación al quemador deberá efectuarla un técnico autorizado.
- Proporcione una línea rígida de suministro de gas por medio de un tubo de 1,27 cm (½ pulg.) para la secadora.
- Si va a utilizar gas natural, no use tubería de cobre.
- Si su secadora se ha convertido a gas L.P., se puede utilizar tubería de cobre de 0,95 cm (¾ de pulg.) compatible con gas L.P. Si el tamaño total de la línea de suministro de gas es de más de 6 metros (20 pies), utilice tubería más grande. SE DEBE utilizar pegamentos de tubería que resistan al gas L.P. No use cinta de teflón.



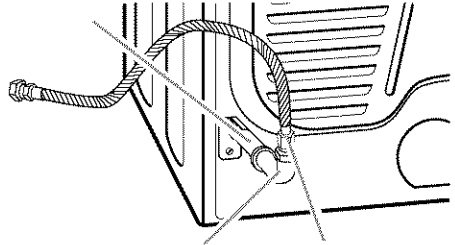
Línea de suministro de gas con rosca de 1,27 cm NPT (½ pulg.)

Tubería macho con rosca de 0,95 cm (¾ de pulg.)

- Si los códigos locales lo permiten, use tubos de acero inoxidable flexible (diseño certificado por la asociación americana de gas – American Gas Association) para conectar su secadora a la línea de suministro de gas. Quizá necesite un codillo y una conexión entre el conducto de acero inoxidable y el conducto de gas de la secadora para evitar que se doblen. El conducto de gas que sale hacia afuera por la parte de atrás de su secadora tiene un filete de conducto macho de 0,95 cm (3/8 pulg.).



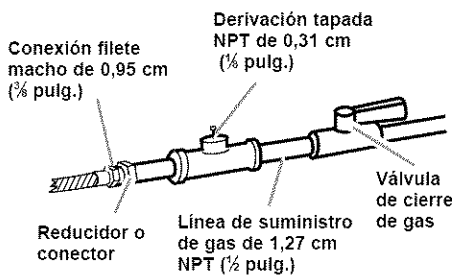
Conexión filete macho de 0,95 cm NPT (3/8 pulg.)



Tubo acodado reductor de 0,95 cm a 0,95 cm (3/8 a 3/8 de pulg.)

Conexión filete macho de 0,95 cm (3/8 de pulg.)

- Debe usarse una combinación de conexiones de tubo para conectar la secadora a la línea de gas existente.

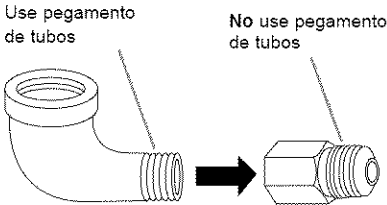


- El suministro de gas tiene que tener una válvula de cierre. La válvula debe encontrarse en el mismo cuarto en donde está la secadora, a no más de 1,83 m (6 pies) de la secadora. La válvula debe encontrarse en un lugar en donde se pueda alcanzar fácilmente para abrir y cerrar.
- Una derivación tapada NPT de 0,31 cm (1/8 pulg.), accesible para la conexión del calibrador de prueba, debe instalarse inmediatamente arriba de la conexión de suministro de gas a la secadora.
- Para asegurar la combustión y ventilación adecuada, la secadora debe ser instalada con las especificaciones mínimas recomendadas en la página 12.
- Si desea instalar la secadora en una casa rodante, véase la página 13 para obtener más instrucciones.
- La secadora se debe desconectar del sistema de tubería de suministro de gas durante cualquier prueba de presión de ese sistema.

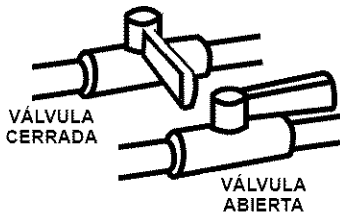
CONEXIÓN DE LA SECADORA A LA LÍNEA DE GAS

PASO 1. Quite la tapa roja del tubo de gas. Ponga la secadora en su lugar final.

PASO 2. Conecte el suministro de gas a la secadora. Use una llave para apretar la conexión. Se debe usar un pegamento de tubo resistente a la acción de gas L.P. para conexiones de gas. **El pegamento de uniones de tubo debe aplicarse a los filetes machos únicamente.** Si usa un tubo de metal flexible asegúrese de que no se doble.



PASO 3. Abra la válvula de cierre del tubo de suministro. La válvula está abierta cuando el mango está paralelo al tubo de gas.



PASO 4. Pruebe todas las conexiones añadiendo una solución aprobada para detectar fugas. Si hay alguna fuga usted podrá observar burbujas. Tape cualquier fuga que encuentre. Nunca haga pruebas de fuga con una llama.

REQUISITOS ELÉCTRICOS

Ud. es responsable de:

- Ponerse en contacto con un instalador eléctrico calificado.
- Asegurarse de que la instalación eléctrica sea adecuada y de acuerdo con el Código Nacional Eléctrico, ANSI/NFPA 70 – última edición, y todos los códigos y ordenanzas locales.

Ud. puede obtener copias de los reglamentos arriba mencionados en:

National Fire Protection Association
Batterymarch Park
Quincy, Massachusetts 02269

para su Provecho

La conexión eléctrica correcta una instalación de acuerdo con los requisitos de código local.

⚠️ ADVERTENCIA



Peligro de Choque Eléctrico

Conecte a un contacto de pared de conexión a tierra de 3 terminales.

No quite el terminal de conexión a tierra.

No use un adaptador.

No use un cable eléctrico de extensión.

No seguir estas instrucciones puede ocasionar la muerte, incendio o choque eléctrico.

- Se necesita una alimentación eléctrica de 120 voltios, 60 hertzios, CA solamente, de 15 ó 20 amperios y protegida con fusibles.
- Se recomienda el empleo de un fusible retardador o disyuntor. Asegúrese de que el fusible o disyuntor coincida con la potencia de la línea en uso.
- Utilice un circuito independiente que preste servicio solamente a esta secadora.
- No use un cable eléctrico de extensión.

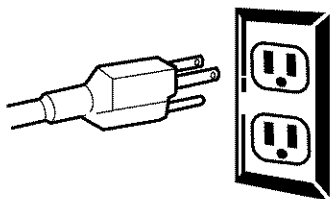
INSTRUCCIONES PARA LA CONEXIÓN A TIERRA

ADVERTENCIA: La conexión incorrecta del conductor de conexión a tierra del equipo puede ocasionar un riesgo de choque eléctrico. Consulte con un electricista o técnico en reparaciones calificado si tiene duda alguna en cuanto a la conexión a tierra correcta del electrodoméstico. No modifique el enchufe provisto con el electrodoméstico. Si éste no entra en el contacto de pared, pida a un electricista calificado que le instale un contacto de pared apropiado.

Para su propia seguridad, esta secadora debe ser conectada a tierra. En caso de funcionamiento defectuoso o avería, la conexión a tierra reducirá el riesgo de choque eléctrico al proporcionar una vía de menor resistencia para la corriente eléctrica.

Esta secadora viene equipada con un cable eléctrico que tiene un enchufe con conexión a tierra de tres terminales. Para reducir el posible peligro de choque eléctrico, debe enchufar el cable eléctrico en un contacto de pared de tres terminales, conectado a tierra de conformidad con las Normas para Instalaciones Eléctricas, última edición ANSI/NFPA 70, así como con todos los códigos y ordenanzas locales.

GUARDE ESTAS INSTRUCCIONES



D. CONEXIÓN DE VENTILACIÓN

para su **Provecho**

Si la secadora está ventilada correctamente funcionará mejor, y secará las prendas más rápidamente, y las cuentas de servicio público serán más bajas, y la vida de la secadora se prolongará.

!ADVERTENCIA



Peligro de Incendio

Use un ducto de escape de metal pesado.

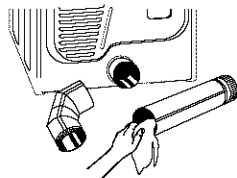
No use un ducto de escape de plástico.

No use un ducto de escape de aluminio.

No seguir estas instrucciones puede ocasionar la muerte o incendio.

ADVERTENCIA: Para reducir el riesgo de incendio, esta electrodoméstico **DEBE TENER VENTILACIÓN HACIA EL EXTERIOR DE LA CASA.**

- No permita que la ventilación de la secadora salga a una chimenea, pared, techo o un espacio encerrado del edificio.
- El diámetro del conducto pesado de ventilación debe ser de 10,2 cm (4 pulg.).
- No use una capota de ventilación con pestillos magnéticos.
- El conducto de ventilación de la secadora no debe conectarse o fijarse con tornillos u otros dispositivos que se extiendan hacia el interior del conducto.
- Si desea utilizar el sistema de ventilación existente, desconecte el conducto de la secadora y limpie una sección a la vez hasta que llegue a la capota de ventilación. Para limpiar la pelusa, puede usar el adaptador de manguera de una aspiradora o una vara o alambre con un plumero o trapo en el extremo.

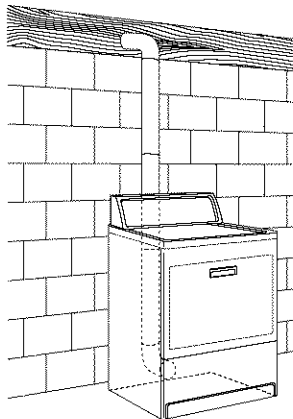


- Asegúrese de que la capota de ventilación no esté tapada con pelusa. Siga las instrucciones de esta sección para volver a instalar el sistema de ventilación.

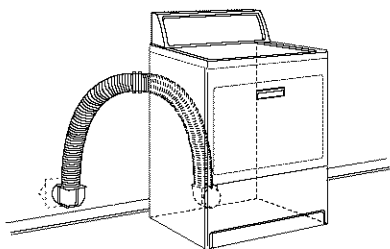
VÍA DE LA VENTILACIÓN

La mayoría de las instalaciones para secadora se ventilan en la parte posterior de la secadora.

No se recomienda colocar la secadora demasiado cerca de la pared. Esto puede presionar o doblar el conducto. Trate de instalar la secadora de modo que el conducto permanezca lo más recto que sea posible para evitar que se doble 90.°



Instalación típica con ventilación en la parte posterior con conexiones indirectas (véase las págs. 20-21).



Instalación típica con ventilación en la parte posterior con conexiones indirectas y con espacios limitados (véase la pág. 22).

Esta secadora se puede modificar para que la ventilación salga del lado derecho o izquierdo o por debajo de la secadora. Los siguientes juegos se deben utilizar si se desea convertir la secadora:

- Juego de ventilación N° 279818 (blanco)
- Juego de ventilación N° 279819 (almendra)
- Juego de ventilación N° 279915 (grafito)
- Juego de ventilación N° 279925 (bisque)

⚠ ADVERTENCIA



Peligro de Incendio

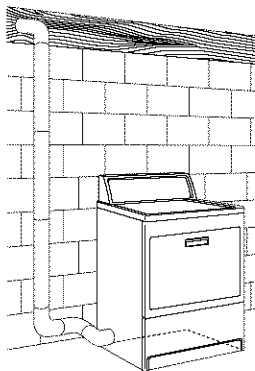
Cubra los orificios de escape no utilizados con uno de los juegos siguientes:

- 279818 (blanco)
- 279819 (marfil/almendra)
- 279915 (grafito)
- 279925 (bisque)

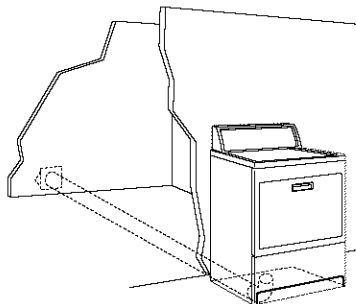
Comuníquese con su distribuidor local.

No seguir estas instrucciones puede ocasionar la muerte, incendio, choque eléctrico o lesiones graves.

Siga las instrucciones del juego para evitar peligros de funcionamiento o personales. Estos juegos están disponibles en su tienda local Sears o centro de servicio de Sears.



Instalación típica con ventilación a la izquierda o derecha.



Instalación típica con ventilación inferior.

DETERMINE EL TAMAÑO DE LOS CONDUCTOS DE VENTILACIÓN

Longitud máxima de los conductos de ventilación:

- *Ventilación posterior.* La longitud máxima del sistema de ventilación posterior depende del tipo de conducto, del número de codillos y del tipo de capota de ventilación. Véase la tabla siguiente.
- *Ventilación lateral o inferior.* La ventilación lateral o inferior requiere un espacio adicional para una vuelta de 90° dentro de la secadora. Para determinar la longitud máxima del conducto de ventilación, añada el espacio equivalente para una vuelta de 90° a la siguiente tabla.

TIPO DE CAPOTA DE VENTILACIÓN		
		(de ser posible use de 10,2 cm (4 pulg.)
Número de vueltas de 90°	Longitud máxima del conducto de metal pesado de 10,2 cm (4 pulg.) de diámetro	
0	20,0 m (64 pi)	17,7 m (58 pi)
1	16,5 m (54 pi)	14,5 m (48 pi)
2	13,4 m (44 pi)	11,6 m (38 pi)
3	10,7 m (35 pi)	8,8 m (29 pi)
4	8,2 m (27 pi)	6,4 m (21 pi)
Número de vueltas de 90°	Longitud máxima del conducto de metal flexible de 10,2 cm (4 pulg.) de diámetro	
0	11,0 m (36 pi)	8,5 m (28 pi)
1	9,4 m (31 pi)	7,0 m (23 pi)
2	8,2 m (27 pi)	5,8 m (19 pi)
3	7,6 m (25 pi)	5,2 m (17 pi)
4	7,0 m (23 pi)	4,6 m (15 pi)

NOTA: Si se usa una combinación de metal pesado y flexible para el conducto de ventilación, use las instrucciones para el conducto de ventilación de metal flexible.

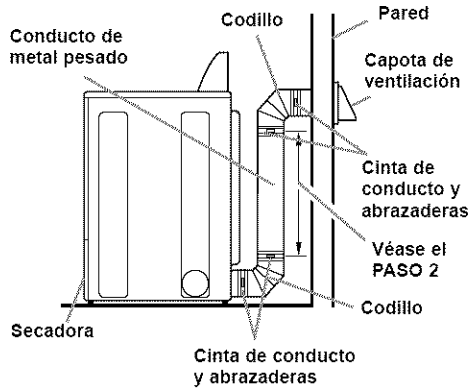
CONEXIONES SEPARADAS TÍPICAS

Uso de un conducto de metal pesado de 10,2 cm (4 pulg.):

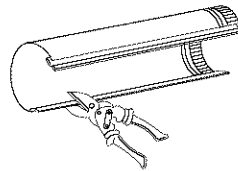
NOTA: No conecte las uniones del conducto de ventilación con tornillos. A los tornillos se les puede pegar pelusa, lo cual demora el proceso de secado. Se recomienda el uso de abrazaderas para unir y asegurar las uniones de los conductos de ventilación.

PASO 1. Instale un codillo de metal de 10,2 cm (4 pulg.) sobre la capota y sobre la salida de ventilación de la secadora.

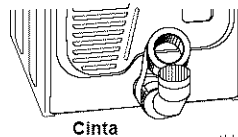
PASO 2. Mida un conducto de metal pesado de 10,2 cm (4 pulg.), el cual será necesario para conectar los dos codillos.



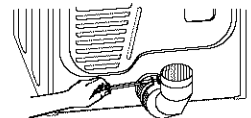
Generalmente el conducto viene en medidas de 60,96 cm (2 pies). Use una tijeras de estaño para cortar el conducto 7,62 cm (3 pulg.) más de lo que indica la medida para hacer la conexión.



PASO 3. Coloque una abrazadera en cada uno de los extremos del codillo de ventilación y conecte el codillo a la salida de ventilación de la secadora. Conecte la unión con cinta de conducto. Apriete la abrazadera.



Cinta



Abrazadera

PASO 4. Conecte el conducto de ventilación con el codillo. Use cinta de conducto para unir la unión. Apriete la abrazadera.

PASO 5. Instale uno de los extremos del codillo en el conducto de ventilación, y el otro extremo con la capota de ventilación. Use cinta de conducto para unir la unión. Apriete la abrazadera.

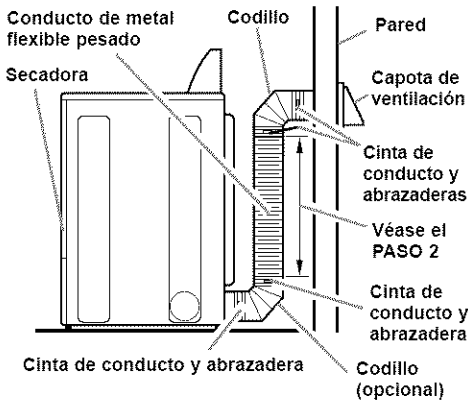
Finalice la instalación. Véase "REVISE LA INSTALACIÓN".

Uso de un conducto de metal flexible de 10,2 cm (4 pulg.):

NOTA: No cierre la unión del conducto de ventilación con tornillos. A los tornillos se les puede pegar pelusa, lo cual demora el proceso de secado. Se recomienda el uso de abrazaderas para unir y asegurar las uniones de los conductos de ventilación.

PASO 1. Instale un codillo de metal rígido de 10,2 cm (4 pulg.) sobre la capota y, si fuera necesario, sobre la salida de ventilación de la secadora.

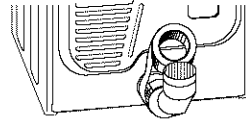
PASO 2. Mida la longitud del conducto de metal flexible de 10,2 cm (4 pulg.) que se necesita desde la secadora hasta la capota.



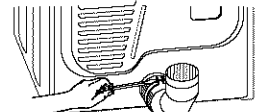
PASO 3. Agregue 25,40 cm (10 pulg.) a la medida indicada para cada ángulo en el conducto.

PASO 4. Agregue 7,62 cm (3 pulg.) más a la medida indicada para la conexión sobre la salida de la secadora y la capota.

PASO 5. Coloque una abrazadera en cada uno de los extremos de los codillos de ventilación. Instale un extremo del codillo sobre el conducto de metal flexible, y el otro extremo a la capota de ventilación. Ate las uniones y apriete las abrazaderas.



Cinta

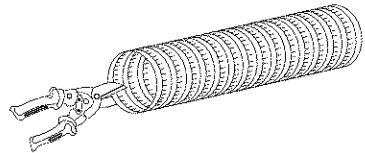


Abrazadera

PASO 6. Estire el conducto del centro hacia afuera sin estirarlo demasiado. No estire cada sección del conducto más de 1,83 m (6 pies). Si mide más de 1,83 m (6 pies), use dos secciones o más del conducto de metal pesado con el conducto de metal flexible agregado a los extremos.

PASO 7. Conecte el conducto directamente a la salida de ventilación de la secadora o a un codillo separado. Ate la unión con cinta de conducto. Asegúrelo con abrazaderas.

PASO 8. Para que el conducto de ventilación quepa sobre el conducto de la capota, quizás sea necesario hacer dos cortes de 1,27 cm (½ pulg.) en el extremo del conducto de ventilación para permitir que se expanda.



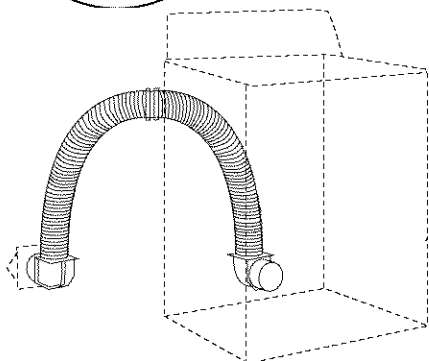
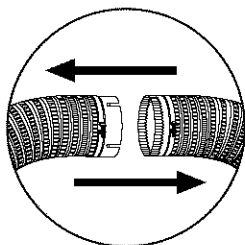
Finalice la instalación. Véase "REVISE LA INSTALACIÓN".

CONEXIONES SEPARADAS CON ESPACIOS LIMITADOS

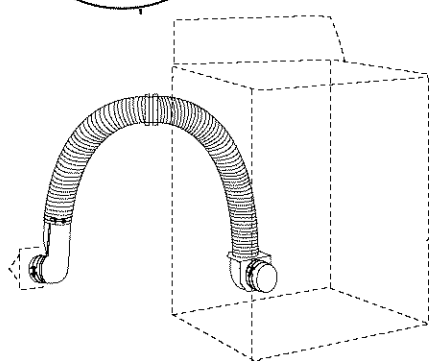
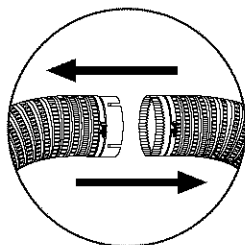
Cuando el conducto de ventilación se encuentra en un espacio limitado detrás de la secadora, o si se desea instalar la secadora en un espacio limitado o en un closet, se recomienda que instale el conducto de ventilación sobre la parte superior* de la secadora. Se puede adquirir un juego de adaptación para este propósito en la tienda Sears o en el Centro de servicio Sears.

*Estas piezas pueden estar protegidas por una o más patentes de EE.UU.

SISTEMA DE BUCLE

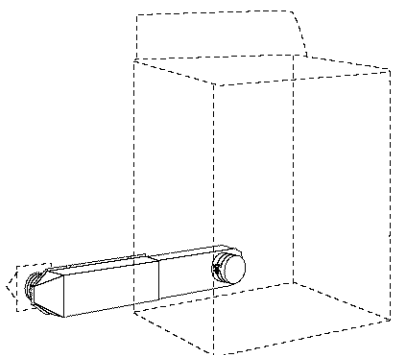


Sistema de ventilación instalado por la parte superior con codillos estándar



Sistema de ventilación instalado por la parte superior con un separador y un codillo estándar

SISTEMA PERISCOPIO



Sistema de ventilación con un periscopio (distancia de 5 cm [2 pulg.]

NOTA: El sistema ventilación viene en muchas variedades. Seleccione el tipo que coincida mejor con su instalación. A continuación se ilustran tres de los tipos de instalación más comunes.

REVISE LA INSTALACIÓN

para su **Provecho**

Tómese unos cuantos minutos para completar esta lista de revisión. Le ayudará a asegurarse de que se ha logrado una instalación adecuada y así aumentar su satisfacción con su secadora Kenmore ELITE™.

- Asegúrese de que todas las piezas que sacó de los paquetes de piezas estén instaladas.
- Asegúrese de que la secadora se encuentre en su ubicación final. Asegúrese de que el conducto de ventilación no esté doblado o comprimido.
- Asegúrese de que la secadora esté nivelada. Esto se puede lograr colocando un nivel sobre la secadora, primero de lado a lado y luego del frente hacia la parte posterior. Si la secadora no está nivelada, ajuste los pies hacia arriba o hacia abajo.
- Asegúrese de que tenga todas las herramientas con las que empezó.

PASOS FINALES

- Conecte el cable de suministro eléctrico en el contacto de pared con conexión a tierra de tres terminales o en el dispositivo de suministro eléctrico.
- Encienda el suministro eléctrico.
- Limpie el interior del tambor minuciosamente con un trapo húmedo para sacar todo el polvo.
- Quite la capa protectora azul que está en la consola y cualquier pieza de cinta que haya quedado en la secadora.
- Lea el resto de este manual para entender a cabalidad el funcionamiento de su secadora.
- Para sacar el aire de la línea de gas, fije la secadora en un ciclo de calor completo (no uso de secado con AIR SUAVE [AIR FLUFF]) por 20 minutos. Después de 5 minutos abra la puerta de la secadora. Se debe prender el quemador durante estos 5 minutos. Si no siente el calor, apague la secadora y ESPERE 5 MINUTOS. Durante estos 5 minutos, revise las válvulas de la casa y de la secadora para asegurarse de que estén abiertas. Repita los pasos arriba mencionados. Si el quemador no se enciende, véase la sección de Localización y reparación de averías (TROUBLESHOOTING).

FUNCIONAMIENTO DE LA SECADORA

⚠️ ADVERTENCIA



Peligro de Explosión

Mantenga los materiales y vapores inflamables, tales como la gasolina, alejados de la secadora.

No seque ningún artículo que haya tenido alguna vez cualquier sustancia inflamable (aun después de lavarlos).

No seguir estas instrucciones puede ocasionar la muerte, explosión o incendio.

⚠️ ADVERTENCIA



Peligro de Incendio

Ninguna lavadora puede eliminar completamente el aceite.

No seque ningún artículo que haya tenido alguna vez cualquier tipo de aceite (incluyendo los aceites de cocina).

Los artículos que contengan espuma, hule o plástico deben secarse en un tendedero o usando un Ciclo de Aire.

No seguir estas instrucciones puede ocasionar la muerte o incendio.

PUESTA EN MARCHA DE SU SECADORA

NOTA: Se han incluido dibujos en esta sección para mostrar las funciones básicas de todos los modelos que cubre este manual. Consulte la "Hoja de funciones" que se incluyó con la secadora para aprender acerca de las funciones específicas de su secadora.

PASO 1. Revise la condición del filtro de pelusa. Límpielo si fuere necesario.

PASO 2. Introduzca la ropa en la secadora y cierre la puerta.

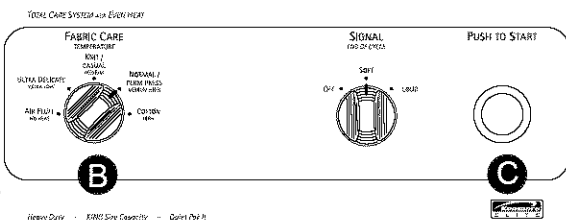
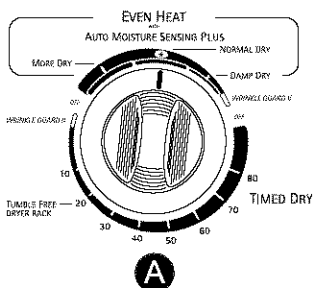
PASO 3. Fije la opción de control de selección de ciclos (temporizador) **A** en la opción deseada (vea las páginas 25).

PASO 4. Fije la opción de Control TELAS/ TEMPERATURA (FABRIC CARE/ TEMPERATURE CONTROL) **B** en la opción deseada (vea la página 26 y 27). Consulte la etiqueta de la ropa para obtener sugerencias del fabricante.

PASO 5. Oprima el botón EMPUJE PARA INICIAR (PUSH TO START) **C**. Asegúrese de que la puerta esté cerrada.

CÓMO DETENER/REINICIAR SU SECADORA

- Abra la puerta de la secadora para apagar la secadora en cualquier momento.
- Para volver a poner la secadora en marcha, oprima el botón de puesta en marcha (PUSH TO START) **C**. Asegúrese de que la puerta esté cerrada.
- Si desea finalizar el ciclo de secado, fije el control de selección de ciclos (temporizador)



Heavy Duty • 1100 Spin Capacity • Drive 20 ft

DESCRIPCIÓN DE CICLOS

para su Provecho

El ciclo de secado automático le ahorra tiempo, ya que rinde los mejores resultados en menos tiempo. Esto le puede ayudar a ahorrar dinero en sus cuentas de servicios públicos y reducir el riesgo de dañar los tejidos.

Ciclo EVENHEAT™ CON DETECCIÓN AUTOMÁTICA DE HUMEDAD PLUS (EVENHEAT™ WITH AUTO MOISTURE SENSING PLUS)

El ciclo de su secadora es EVENHEAT™ CON DETECCIÓN AUTOMÁTICA DE HUMEDAD PLUS. Use este ciclo para la mayoría de las cargas. El tiempo de secado varía dependiendo del tipo de telas, tamaño de la carga y la selección del grado de secado.

- Fije el control de selección de ciclos (temporizador) en secado normal (NORMAL DRY) (*) el cual es apropiado para la mayoría de los tejidos.
- Al final del ciclo, toque la ropa que secó. Si sigue húmeda, seleccione MÁS SECO (MORE DRY) la siguiente vez que seque una carga similar. Si la ropa se ha sobrecalentado, seleccione SECADO HÚMEDO (DAMP DRY) la siguiente vez que seque una carga similar.
- La sequedad se determina por un sensor electrónico que "siente" la cantidad de humedad dentro de la ropa cuando la ropa pasa por este sensor. Cuando la sequedad seleccionada se alcanza, la secadora empieza un período de enfriamiento (COOL DOWN) de 10 minutos (aproximadamente).
- La SEÑAL DE FIN DE CICLO (END OF CYCLE SIGNAL) emite un sonido que indica que el ciclo ha finalizado (si se ha seleccionado) una que el ciclo se termina.

- Si Ud. no saca la ropa de la secadora una vez que el ciclo finalice, la secadora empieza un ciclo de WRINKLE GUARD® automáticamente. Para una explicación de WRINKLE GUARD®, vea la página 29.

NOTA: En algunos modelos, el ciclo WRINKLE GUARD® se selecciona por medio de un interruptor opcional.

CICLO DE SECADO PROGRAMADO (TIMED DRY)

Utilice este ciclo de secado programado para secar por 80 ó 90 minutos (según el modelo de secadora).

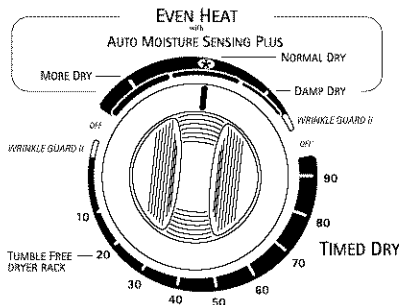
- Un período de enfriamiento (COOL DOWN) de 10 minutos (aproximadamente) le sigue al ciclo de calor.
- La SEÑAL DE FIN DE CICLO (END OF CYCLE SIGNAL) emite un sonido que indica que el ciclo ha finalizado (si se ha seleccionado) una vez que el ciclo se termina.

NOTA: Se activará la opción de WRINKLE GUARD® en aquellas secadoras con este control cuando termine este ciclo (si está seleccionado).

CICLO DE RETOCAR (TOUCH UP) (en algunos modelos)

Use este ciclo para quitar arrugas de la ropa sintética e inarrugable que esté limpia pero arrugada a causa de estar en un ropero o en una maleta.

- Esta posición provee un ciclo de calor de 15 minutos y después sigue un período de enfriamiento (COOL DOWN) de 10 minutos (aproximadamente).
- Saque la ropa inmediatamente cuando este ciclo termine.



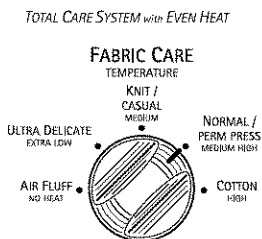
CONTROL DE TELA/TEMPERATURA (FABRIC CARE/TEMPERATURE CONTROL)

para su Provecho

El uso adecuado de este control ayudará a que las prendas se sequen con la temperatura adecuada para prolongar su vida útil.

Utilice este control para seleccionar la temperatura adecuada para el tipo de ropa que se desea secar.

- Seleccione **ULTRA BAJA (EXTRA LOW)** para telas delicadas. Seleccione **ALTO (HIGH)** para telas duraderas tales como la ropa fuerte de trabajo o toallas de baño.



La siguiente tabla muestra las especificaciones recomendadas para la secadora y la cantidad de tiempo necesario para varias cargas de ropa. Esta tabla es solamente una guía. Las especificaciones pueden requerir modificaciones de acuerdo con la carga de ropa que se desee secar.

Tipo de carga	Especificación de secado automático	Temperatura de secado	Especificación de tiempo (TIMED DRY)
PRENDAS DE ALGODÓN Y ROPA BLANCA			
Peso Extra – Cubrecamas, rellenos de colchón, edredones	MÁS SECO (MORE DRY)	ALTA (HIGH)	70-90 min.
Peso pesado – toallas, vaqueros, pantalones de pana, ropa de trabajo	MÁS SECO (MORE DRY)	ALTA (HIGH)	50-60 min.
Peso mediano – sábanas, ropa interior de algodón, pañales	SECADO NORMAL (NORMAL DRY)	MEDIA/ALTA (MEDIUM/HIGH) O MEDIA (MEDIUM)	40-50 min.
Peso liviano – Batistas, organdís, ropa interior de mujer	SECADO NORMAL (NORMAL DRY)	ULTRA BAJA (EXTRA LOW)	30-40 min.
PLANCHADO PERMANENTE, SINTÉTICOS Y MEZCLAS			
Peso pesado – ropa de trabajo, chaquetas, impermeables	SECADO NORMAL (NORMAL DRY)	ALTA (HIGH)	40-50 min.
Peso mediano – camisas, ropa de niño, sábanas, pantalones	SECADO NORMAL (NORMAL DRY)	MEDIA/ALTA (MEDIUM/HIGH) O MEDIA (MEDIUM)*	30-40 min.
Peso liviano – ropa interior de mujer, blusas, vestidos	SECADO HÚMEDO (DAMP DRY)	MEDIA (MEDIUM) O ULTRA BAJA (EXTRA LOW)*	20-30 min.
TEJIDOS			
Peso pesado – Prendas de algodón, rayones, mezclas, camisas, pantalones	SECADO NORMAL (NORMAL DRY)	ALTA (HIGH)	40-50 min.
Peso mediano – Sintéticos (poliéster, acrílico, etc.), pantalones de vestir, faldas, suéteres	SECADO NORMAL (NORMAL DRY)	MEDIA/ALTA (MEDIUM/HIGH) O MEDIA (MEDIUM)*	30-40 min.
Peso liviano – Sintéticos (poliéster, acrílico, etc.) y mezclas, ropa interior de mujer, blusas, vestidos	SECADO HÚMEDO (DAMP DRY)	ULTRA BAJA (EXTRA LOW)	20-30 min.

*Use la especificación más baja disponible en su secadora.

USO DE SECADO CON AIRE SUAVE (AIR FLUFF SETTING)

para su Provecho

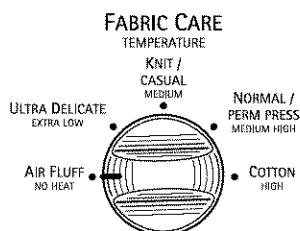
El uso de este ciclo le proporcionará todos los beneficios obtenidos al colgar la ropa para secarla, sólo que lo logra en menos tiempo.

Utilice la posición de ciclo de secado con AIRE SUAVE (AIR FLUFF) para obtener hasta 80 ó 90 minutos de secado en aire suave. Use esta posición para artículos que no toleran el calor, tales como los artículos de plástico y de caucho. También esta posición se usa para secar artículos tales como almohadas, etc.

Cómo usar SECADO CON AIRE SUAVE (AIR FLUFF)

- Fije el control de selección de ciclos (temporizador) al número de minutos que Ud. desea en el ciclo de SECADO PROGRAMADO (TIMED DRY).
- Fije el control de TELA/TEMPERATURA (FABRIC CARE/Temperature Control) en el ciclo de secado con aire suave.
- Fije las otras opciones a su gusto. Oprima el botón EMPUJE PARA INICIAR (PUSH TO START).

Refiérase a la tabla siguiente para ejemplos de artículos que requieren secarse sin calor. Use la posición ciclo de secado con AIRE SUAVE, o cuelgue estos artículos en una cuerda o póngalos en un estante para que se sequen al aire libre.



Clase de Carga de Ropa	Posición de CICLO DE SECADO CON AIRE SUAVE (AIR FLUFF)
PRENDAS FINAS Cortinas diáfanas/sutiles (2 ó 3 paneles), gasa, encaje, etc. (Use el ciclo de secado con aire a temperatura ambiente/ ciclo de secado con aire suave (AIR FLUFF) si la temperatura de calor mínimo no está disponible)	20 a 30 minutos
GOMA, PLÁSTICO, TEJIDOS SENSIBLES AL CALOR Gomaespuma – Almohadas, sostenes rellenos, juguetes rellenos • Asegúrese de que los tapices estén bien tejidos. • Sacuda las almohadas a mano varias veces durante el ciclo. • Asegúrese de que las almohadas estén completamente secas. Las almohadas hechas de gomaespuma demoran más tiempo en secarse.* Plástico – Cortinas de ducha, manteles Alfombras con goma Olefina, Polipropileno, nilón diáfano	20 a 30 minutos 20 a 30 minutos 40 a 50 minutos 10 a 20 minutos

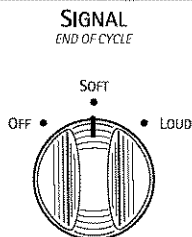
* Cambie el tiempo, conforme sea necesario, para permitir que esta ropa se seque completamente.

CONTROL DE SEÑAL DE FIN DE CICLO (END OF CYCLE SIGNAL)

para su **Provecho**

Al finalizar un ciclo, su secadora emite una señal. La señal es muy útil al secar planchado permanente, sintéticas, y otras prendas que se deben sacar de la secadora una vez que se apaga para evitar que se arruguen.

- Se puede ajustar el volumen de la señal.

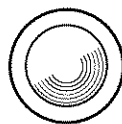


BOTÓN EMPUJE PARA INICIAR (PUSH TO START)

Use este control para iniciar la secadora. Asegúrese de que la puerta de la secadora esté cerrada.

El abrir la puerta apaga la secadora. La secadora no se iniciará de nuevo hasta que Ud. cierre la puerta y oprima el botón. EMPUJE PARA INICIAR (PUSH TO START). Asegúrese de que el control de selección de ciclos (temporizador) todavía indique la posición del secado.

PUSH TO START



CALOR SUAVE (SOFT-HEAT®)

para su Provecho

El sistema SOFT-HEAT® protege contra el secado demasiado prolongado. Esto ayuda a que las telas retengan la humedad natural que necesitan, previene el estático y reduce la formación de pelotitas pequeñas de pelusa en la superficie de la ropa. Esto es el resultado natural del lavado y secado de la ropa.

Las secadoras Kenmore ELITE™ ayudan a prevenir el secado excesivo para que usted obtenga un cuidado superior para su ropa. Con el ciclo EVENHEAT™ CON DETECCIÓN AUTOMÁTICA DE HUMEDAD PLUS (EVEN-HEAT™ WITH AUTO MOISTURE SENSING PLUS) y SECADO PROGRAMADO (TIMED DRY) la ropa se seca a la temperatura que usted eligió hasta los últimos minutos del ciclo. En ese momento la secadora cambia a una temperatura más baja.

ENFRIAMIENTO

Aproximadamente diez minutos antes del final de ciclo EVENHEAT™ CON DETECCIÓN AUTOMÁTICA DE HUMEDAD PLUS (AUTO MOISTURE SENSING PLUS) y SECADO PROGRAMADO (TIMED DRY), la ropa se seca sin calor para reducir las arrugas y hacer el manejo de la ropa más cómodo.

USO DE WRINKLE GUARD®

para su Provecho

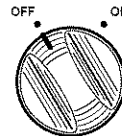
WRINKLE GUARD® ayuda a que sus planchado permanente se mantengan sin arrugas cuando no se puede sacar la ropa de la secadora a tiempo cuando se termina el ciclo de secado automático.

Si Ud. no abre la puerta cuando se termine el ciclo de secado automático el ciclo de WRINKLE GUARD® se activará y la ropa pasará por ciclos periódicos de tambor sin calor de aproximadamente 15 segundos.

- En las secadoras con WRINKLE GUARD® II, este proceso periódico continuará por aproximadamente 40 minutos a menos que Ud. abra la puerta de la secadora antes.
- En las secadoras con WRINKLE GUARD® III, este proceso periódico continuará por aproximadamente 2 1/2 horas y media a menos que Ud. abra la puerta de la secadora antes.
- La WRINKLE GUARD® III tiene una opción seleccionable de encendido y apagado (ON/OFF). Cuando la WRINKLE GUARD® III se fija en apagado (OFF), la secadora se detiene después del enfriamiento y se puede descargar.

La SEÑAL DE FIN DE CICLO (END OF CYCLE) sonará después de cada ciclo de tambor a menos que esté desactivada.

WRINKLE GUARD III



ESTANTE DE SECADO TUMBLE FREE™ CALIENTE (TUMBLE FREE™ DRYER RACK)

Su secadora puede incluir un estante de secado. Si su secadora no tiene un estante de secado, usted puede comprar uno llamando a Sears (ver la portada trasera).

para su Provecho

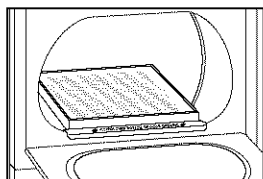
Use el Estante de Secado Caliente TUMBLE FREE™ para artículos que usted no quiere secar con rotación, tales como suéteres y zapatillas para tenis. Cuando usted usa el estante de secado caliente, el aire caliente dentro de la secadora fluye de manera concentrada para permitir un secado eficiente y uniforme.

Uso del estante de secado caliente:

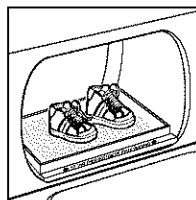
No saque el filtro de pelusa.

PASO 1. Abra la puerta de la secadora.

PASO 2. Deslice el estante de secado sobre la parte inferior de la abertura de la puerta de la secadora. Empuje el estante hacia abajo para asegurarlo en el armazón.



PASO 3. Coloque los artículos a secar sobre el estante de secado. Deje que haya espacio alrededor de los artículos para que circule el aire. El estante no se mueve, pero el tambor girará. Asegúrese de que los artículos no se caigan por los extremos o entre las barras del estante.



PASO 4. Cierre la puerta de la secadora.

PASO 5. Use el ciclo de secado programado (TIMED DRY). Refiérase a la tabla a continuación.

PASO 6. Fije el control de TELA/TEMPERATURA (FABRIC CARE/ TEMPERATURE CONTROL) si está disponible. Refiérase a la tabla a continuación.

PASO 7. Inicie la secadora.

Para sacar el estante de secado, levántelo recto y hacia afuera de la secadora.

NOTA: Revise el filtro de pelusa y quite toda la pelusa que se haya acumulado proveniente de los artículos secados sobre el estante.

Artículos recomendados para secar en el estante de secado	Colocación de TELA/TEMPERATURA (FABRIC CARE/ TEMPERATURE)	Colocación de selección (temporizador) de ciclos	Tiempo Surgerido (minutos)*
Artículos lavables de lana (dé forma y colóqueos en forma plana sobre el estante)	PRENDAS FINAS (ULTRA DELICATE)	CICLO DE SECADO PROGRAMADO (TIMED DRY)	20
Juguetes rellenos (relleno de fibra de algodón o poliéster)	ALGODÓN (COTTON)	CICLO DE SECADO PROGRAMADO (TIMED DRY)	20
Juguetes rellenos (relleno con gomaespuma)	CICLO DE SECADO CON AIRE SUAVE (AIR FLUFF)		50
Botas de goma	CICLO DE SECADO CON AIRE SUAVE (AIR FLUFF)		20
Almohadas de gomaespuma	CICLO DE SECADO CON AIRE SUAVE (AIR FLUFF)		50
Zapatillas de tenis	CICLO DE SECADO CON AIRE SUAVE (AIR FLUFF)		20

*Programa el tiempo de secado tal como sea necesario para lograr un secado completo.

SUGERENCIAS DE LAVANDERÍA

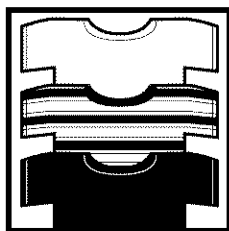
para su **Provecho**

El seguir estas sugerencias le ayudará a ahorrar dinero en su cuentas eléctricas y prolongar la vida de su ropa.

PREPARACIÓN DE LA ROPA PARA EL SECADO

- Consulte su Manual del Propietario de Lavarropas para técnicas apropiadas de lavado y sugerencias adicionales de lavandería.
- Vea la página 6 de este libro para obtener instrucciones importantes de seguridad.

CLASIFICACIÓN DE ROPA



- Separe la ropa de color oscuro de la de color brillante, los artículos que destiñen de los artículos que no destiñen. Generalmente los artículos que se separan apropiadamente para el lavado están apropiadamente separados para el secado.
- Separe los tejidos pesados (mezclilla, toallas) de tejidos livianos (sintéticos, inarrugables).
- Separe los artículos que despiden pelusa (toallas, felpilla) de los artículos que atraen pelusa (pana, sintéticos, inarrugables). Cuando sea posible, voltee los artículos que atraen pelusa de adentro hacia afuera.

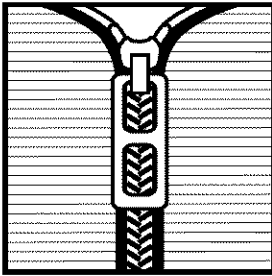
CÓMO ESCOGER EL TAMAÑO DE CARGA DE ROPA

- Mezcle los artículos grandes con artículos pequeños. Cargue la secadora por la capacidad de espacio que los artículos requieren y no por su peso. No sobrecargue la secadora. El sobrecargado de ropa hace que los artículos no se sequen correctamente y causa que se arruguen y puede causar que se gasten más (debido a la formación de pelotitas de pelusa en la tela).
- Es posible que tenga que reorganizar artículos grandes (sábanas, cubrecamas, manteles) durante un ciclo para evitar que los artículos se amontonen.
- Para lograr mejor movimiento del tambor al secar pocos artículos pequeños, agregue una o dos toallas sin pelusa. Esto ayuda a que los artículos pequeños no bloqueen la corriente de aire.

SECADORA DE CAPACIDAD KING SIZE™

Ropa de trabajo pesado	Toallas	Carga de ropa mixta
4 blue jeans	10 toallas de baño	3 sábanas (1 de cama doble, 2 de camas gemelas)
4 pantalones de trabajo	10 toallas de mano	4 fundas de almohada
4 camisas de trabajo	14 paños para lavarse	3 camisas
2 sudaderas		3 blusas
2 pantalones de gimnasia		9 camisetitas
		9 pantalones cortos
		10 pañuelos

SUGERENCIAS DE SECADO



- Cierre las cremalleras, botones y enganches para evitar el daño de otros artículos. Quite bordes sensibles al calor que puedan dañarse al secarse. Ate lazos y cordones para que no se enreden.
- Fijese si las prendas salen con manchas después de lavarse. No seque estas prendas juntas. El calor puede causar que estas manchas se conviertan en manchas permanentes.
- Revise los bolsillos antes de secar. Los objetos afilados o metales pueden dañar su secadora. No ponga estos objetos sobre su secadora. Saque los bolsillos de los artículos pesados para que se sequen en forma uniforme.
- Coloque los artículos pequeños tales como calcetines de bebé o pañuelos en una bolsa de lavandería para que sea más fácil sacarlos.
- Los artículos que deben ser planchados deben sacarse cuando aún estén húmedos.

USO DE SUAVIZANTES DE TEJIDOS PARA SECADORA

Se recomienda el uso de suavizantes de tejidos para secadora para reducir el estático. Siempre siga las instrucciones del paquete cuidadosamente.

- Ponga una hoja de suavizante de tejidos encima de la carga de ropa antes de prender la secadora. No introduzca la hoja de suavizante de tejidos después de que el ciclo de secado haya empezado. El calor instantáneo puede causar que el suavizante de tejidos manche los tejidos.
- Quite las manchas de suavizantes de tejidos mojando las manchas y pasándoles detergente líquido o jabón en barra. Luego lávelos de nuevo.
- Algunos suavizantes de tejidos pueden taponar los filtros de pelusa y prolongar el secado. Use suavizantes de tejidos que tengan etiquetas de seguridad para la secadora.

CÓMO AHORRAR ENERGÍA

- Separe las cargas de ropa por peso y clase de tejido.
- Use el ciclo de secado automático para secar la mayoría de las cargas.
- Seque cargas completas de ropa únicamente. No deje que su ropa se seque demasiado.
- Evite sobrecargar la secadora, agregar artículos mojados a una carga de ropa ya parcialmente seca, o abrir la puerta sin necesidad.
- El tiempo de secado se puede reducir mediante una ventilación adecuada de la secadora así como una limpieza del conducto de ventilación y de la capota de ventilación externa cuando sea necesario.
- Mantenga el filtro de pelusa limpio.
- Use la secadora donde la temperatura ambiental sea superior a 7°C (45°F).

CUIDADO DE LA SECADORA

CÓMO LIMPIAR SU SECADORA

para su **Provecho**

El cuidar apropiadamente su secadora puede extender la vida de la misma y le ayudará a evitar reparaciones costosas.

EXTERIOR

Use un trapo suave y húmedo para limpiar la parte exterior de la secadora. Evite usar abrasivos ásperos. No ponga objetos afilados de metal dentro o sobre la secadora. Estos objetos pueden dañar el acabado de la secadora.

INTERIOR

⚠ ADVERTENCIA



Peligro de Explosión

**Use un limpiador no inflamable.
No seguir esta instrucción puede ocasionar la muerte, explosión, o incendio.**

Las prendas que contienen tejidos inestables, tales como los pantalones vaqueros azules de mezclilla o artículos de colores vivos de algodón pueden teñir el interior del tambor. Estas manchas no dañarán su secadora y no mancharán las cargas futuras de ropa. Es útil secar artículos destañados al revés para evitar la transferencia de tintes.

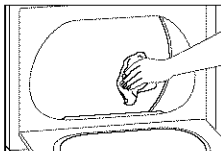
Cómo limpiar el tambor de la secadora:

PASO 1. Haga una masa con detergente y agua tibia y aplíquela a un trapo suave. Continúe con los PASOS 2 a 4.

O bien,

PASO 1a. Rocíe un producto líquido no inflamable para la limpieza de casa en el área manchada. Continúe con los PASOS 2 a 4.

PASO 2. Refriegue el área hasta que la mancha desaparezca.



PASO 3. Limpie completamente con un trapo húmedo.

PASO 4. Ponga una carga de toallas limpias a secar en un ciclo de tambor por 20 minutos.

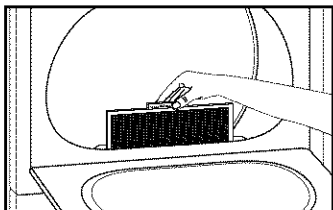
CÓMO LIMPIAR EL FILTRO DE PELUSA

Saque la pelusa antes de cada carga de ropa

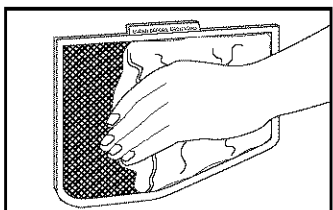
El filtro de pelusa se encuentra en la abertura de la puerta. Limpie el filtro de pelusa antes de secar cada carga de ropa. Un filtro lleno de pelusa puede aumentar el tiempo de secado.

Para limpiar:

PASO 1. Levante el filtro de pelusa directamente hacia arriba.



PASO 2. Haga rodar la pelusa fuera del filtro con sus dedos. No limpie el filtro con agua para sacar la pelusa. Es difícil sacar la pelusa cuando está mojada.



PASO 3. Empuje el filtro de pelusa firmemente para colocarlo nuevamente en su lugar.

IMPORTANTE:

- No ponga la secadora en marcha si el filtro de pelusa está flojo, dañado, tapado, o si no lo tiene. El hacerlo puede causar que la secadora se caliente demasiado y puede causar daño a los tejidos así como a la secadora.
- Algunas toallas hechas de fibras sintéticas y naturales (mezclas de poliéster y algodón) pueden soltar más pelusa que otras toallas. Esto hace que el filtro de pelusa se llene más rápido. Asegúrese de quitar la pelusa del filtro de pelusa antes y después de secar nuevas toallas.
- Si cae la pelusa del filtro dentro de la secadora en el momento de su remoción, revise periódicamente la capota de ventilación y quite la pelusa acumulada (vea "Conexión de ventilación").

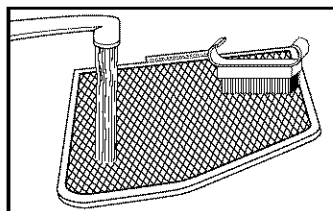
Lave el filtro de pelusa cuando sea necesario

Los detergentes de lavandería y suavizantes de tejidos pueden dejar un residuo en el filtro de pelusa. Limpie el filtro de pelusa con un cepillo de nilón si llega a taparse a causa de residuo.

Cómo limpiarlo:

PASO 1. Moje los dos lados del filtro de pelusa con agua caliente.

PASO 2. Moje un cepillo de nilón con agua caliente y detergente líquido, restriegue el filtro de pelusa con el cepillo para quitar la acumulación de residuo.



PASO 3. Enjuague el filtro de pelusa con agua caliente.

PASO 4. Seque a fondo el filtro de pelusa con una toalla limpia y colóquelo nuevamente en la secadora.

VEA SI EL FLUJO DE AIRE ESTÁ OBSTRUIDO

De vez en cuando se recomienda que revise la secadora y el sistema de ventilación para asegurarse de que haya flujo de aire adecuado. El flujo de aire obstruido puede causar períodos extendidos de secado.

Cómo ver si el flujo de aire está obstruido:

PASO 1. Revise la secadora para asegurarse de que no haya nada que esté bloqueando las ranuras de ventilación que se encuentran en el panel posterior de la secadora.

PASO 2. Inspeccione la capota de ventilación. No debe estar bloqueada ni obstruida.

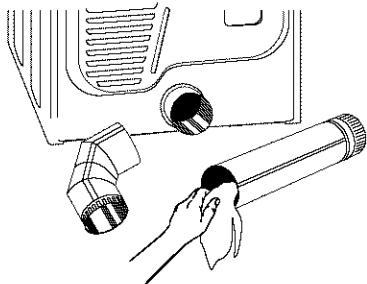
CÓMO QUITAR PELUSA ACUMULADA

Para quitar la pelusa acumulada del conducto de ventilación:

PASO 1. Desconecte el conducto de ventilación de la secadora.

PASO 2. Limpie una sección del conducto de ventilación a la vez hasta que llegue a la capota de ventilación. Para limpiar la pelusa, puede usar el adaptador de manguera de una aspiradora o una vara o alambre con un plumero o trapo en el extremo.

PASO 3. Vuelva a conectar el conducto de ventilación tal como se describe en las "INSTRUCCIONES DE INSTALACIÓN" de este Manual del propietario.



Cómo quitar la pelusa acumulada en la parte interior de la secadora:

Se debe quitar la pelusa cada 2 años, o más a menudo, dependiendo del uso de la secadora. La limpieza debe ser efectuada por una persona calificada.

CUIDADO PARA LA MUDANZA

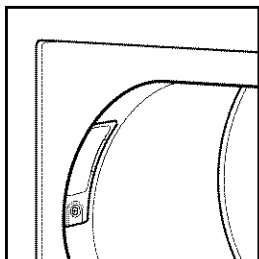
- Desconecte el suministro eléctrico.
- Cierre la válvula de paso en la línea de suministro de gas.
- Desconecte el ducto de suministro de gas y quite los conectores que están fijos al tubo de la secadora.
- Tape la línea abierta de suministro de combustible.
- Asegúrese de que los pies nivelantes estén seguros en la base de la secadora.
- Use cinta adhesiva para asegurar la puerta de la secadora.

CUIDADO PARA LAS VACACIONES

- Desconecte el suministro eléctrico.
- Cierre la válvula de paso en la línea de suministro de gas.
- Lave el filtro de pelusa.

CÓMO CAMBIAR LA LUZ DEL TAMBOR

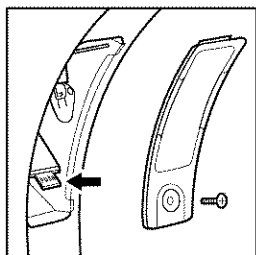
La luz de la secadora se prende automáticamente dentro del tambor de la secadora cuando Ud. abre la puerta. La luz del tambor de su secadora puede ser de uno de los dos tipos que se muestran a continuación.



Cómo cambiar el foco del tipo 1:

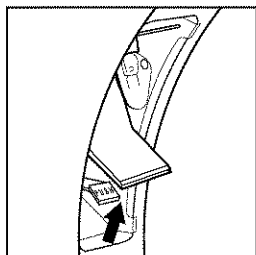
PASO 1. Desenchufe la secadora o desconecte el suministro eléctrico.

PASO 2. Abra la puerta de la secadora. Saque el tornillo que sostiene el lente en su lugar.



PASO 3. Saque el lente tirándolo hacia abajo y hacia afuera del tambor.

PASO 4. Empuje la pestaña para permitir que el foco salga.



PASO 5. Quite el foco girándolo en el sentido opuesto a las agujas del reloj.

PASO 6. Instale el foco girándolo en sentido de las agujas del reloj. Reemplace el foco sólo con uno apropiado para electrodoméstico, de 15 vatios.

PASO 7. Empuje la parte inferior de la luz y el casquillo hasta que la pestaña se cierre.

PASO 8. Coloque la parte superior del lente sobre la parte superior del agarrador. Gire la parte inferior del lente hacia abajo hasta que caiga en su lugar. Reinstale el tornillo.

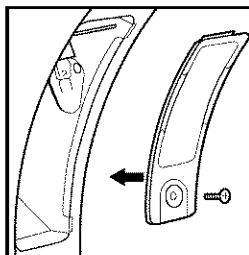
NOTA: Es muy importante que el lente se reinstale en su lugar apropiado.

PASO 9. Enchufe la secadora o vuelva a conectar el suministro eléctrico.

Cómo cambiar el foco del tipo 2:

PASO 1. Desenchufe la secadora o desconecte el suministro eléctrico.

PASO 2. Abra la puerta de la secadora. Quite el tornillo que sostiene el lente en su lugar.



PASO 3. Quite el lente jalándolo hacia abajo y hacia fuera del tambor.

PASO 4. Quite el foco girándolo en sentido opuesto a las agujas del reloj.

PASO 5. Instale el foco girándolo en el sentido de las agujas del reloj. Reemplace el foco sólo con un foco apropiado para electrodomésticos de 15 vatios.

PASO 6. Coloque la parte superior del lente encima de la parte superior del agarrador. Gire la parte inferior del lente hacia abajo hasta que quede en su lugar. Vuelva a colocar el tornillo.

NOTA: Es muy importante que se vuelva a colocar el lente de modo apropiado.

PASO 7. Enchufe la secadora o vuelva a conectar el suministro eléctrico.

LOCALIZACIÓN Y REPARACIÓN DE AVERÍAS

para su **Provecho**

La mayoría de los problemas de lavandería se pueden resolver fácilmente si Ud. entiende la causa. El uso de las tablas a continuación le ahorrará tiempo y dinero, ya que le ayudará a evitar llamadas innecesarias de servicio y reparación.

Problema	Causa probable	Solución
No seca correctamente	El filtro de pelusa está tapado con pelusa.	Limpie el filtro de pelusa.
	El movimiento de aire está restringido. El conducto de salida de aire o la capota del escape está tapada con pelusa.	Prenda la secadora de 5 a 10 minutos. Ponga su mano abajo de la capota del escape de afuera y observe si hay movimiento de aire. Si no siente movimiento de aire, limpie la pelusa del sistema de escape o cambie el conducto de salida de aire por un conducto rígido o flexible de metal (véase "Instrucciones de Instalación," Sección D).
	El conducto de salida de aire está trabado retorcido.	Cámbielo por un conducto rígido o flexible de metal (véase "Instrucciones de Instalación," Sección D).
	La válvula de gas de la secadora está cerrada.	Abra todas las válvulas.
	El temporizador o el control de temperatura está o en secar con aire suave (AIR FLUFF).	Seleccione el ciclo correcto para el tipo de ropa que se está secando (véase "Funcionamiento de la Secadora").
	La carga de ropa no hace contacto con los contactos del sensor y el ciclo automático se termina antes de tiempo.	Nivele la secadora (véase "Instrucciones de Instalación," Sección B).
	Las hojas del suavizante de tejidos están tapando el filtro de afuera.	Use únicamente una hoja de suavizante de tejidos por cada carga de ropa y úsela solamente una vez.
	La secadora se encuentra en un cuarto en donde la temperatura es más baja de 7°C (45°F).	Ponga la secadora en un ambiente donde la temperatura del aire sea de más de 7°C (45°F).
	Hay mucha humedad en la carga de ropa.	Los artículos que mantienen más humedad (tales como las prendas de algodón) demorarán más tiempo en secarse.
	Se usa agua fría para enjuagar.	El secado demora más tiempo, pero está ahorrando energía y las prendas saldrán menos arrugadas.
La secadora no funciona	La carga de ropa es demasiado grande para secarse rápido.	Separe la carga de ropa para que el tambor se puede mover libremente.
	El cable de alimentación eléctrica no está enchufado correctamente con un circuito de voltaje apropiado.	Enchufe el cable de alimentación eléctrica en un circuito activo.
	Los fusible están quemados o el disyuntor está apagado.	Cambie los fusible o prenda el disyuntor de nuevo.

Problema	Causa probable	Solución
La secadora no funciona (continuación)	Se está utilizando un fusible regular.	Cambie el fusible por un fusible retardador.
	La puerta de la secadora no está bien cerrada.	Cierre la puerta de la secadora correctamente.
	El botón de poner en marcha (PUSH TO START) no se ha oprimido correctamente.	Oprima el botón de poner en marcha (PUSH TO START) otra vez.
	Los controles no están puestos en la posición de prender (ON).	Ajuste los controles en la posición de prender (ON).
Pelusa en la carga de ropa	El filtro de pelusa está tapado.	Limpie el filtro de pelusa. Compruebe si hay movimiento de aire.
	Separación incorreta.	Separe las prendas que despiden pelusa de las que la atraen. También sepárelas por colores.
	La carga de ropa es demasiado grande o pesada.	Seque cargas de ropa más pequeñas para que la pelusa pueda ser atraída al filtro de pelusa.
	La carga de ropa está demasiado seca.	Use la programación de secado correcta para sus tejidos. El secar demasiado puede causar que la pelusa atraiga estático (véase "Funcionamiento de la Secadora").
	Hay papel en los bolsillos.	Limpie los bolsillos antes del secado.
	Se confunde pelusa de superficie con pelusa regular.	La pelusa de superficie es normal y la causa el lavado y uso normal de la prenda.
Manchas en la carga de ropa	El uso inapropiado del suavizante de tejidos en el lavarropas.	Use hojas de suavizante de tejidos dentro de la secadora. Agréguelas al principio del ciclo cuando la carga de ropa todavía está fría.
	Ha secado artículos manchados.	Es necesario limpiar los artículos antes de secarlos.
Encogimiento de Artículos	Periodos de secado demasiado prolongados.	Asegúrese de que la programación de la secadora coincida con la clase de tejido (véase "Funcionamiento de la Secadora").
	Calidad mala del tejido.	Fíjese en la calidad del tejido antes de comprarlo.
	No se han seguido las instrucciones de la etiqueta de cuidado de las prendas.	Siga las instrucciones de la etiqueta de cuidado cuidadosamente.
Las cargas de ropa salen arrugadas	La carga de ropa es demasiado grande.	Seque cargas de ropa más pequeñas que permitan que el tambor se mueva con facilidad.
	Periodos de secado demasiado prolongados.	Asegúrese de que la programación de la secadora coincida con la clase de tejido (véase "Funcionamiento de la Secadora").
	Se deja la carga de ropa en la secadora después de que termina el ciclo.	Saque la carga de ropa un vez que el ciclo de tambor termina.
Olores	Los químicos, la pintura o barniz de la casa entran a la secadora.	No use la secadora mientras estos vapores se encuentren en la casa.
	Fuga de gas.	Cierre la línea de suministro de gas. Salga de la casa y llame a la compañía local de gas.
Sonidos poco comunes	Las válvulas (secadora de gas) emiten un sonido de tic.	Funcionamiento normal.
	Golpes de rodillos cuando la secadora se colocó en su lugar.	Los golpes desaparecerán después de 5 minutos de uso de la secadora.

ACUERDO DE MANTENIMIENTO SEARS

SECADORAS KENMORE ELITE™

La frase "Reparamos lo que vendemos" es nuestra garantía de que usted puede confiar en Sears para obtener servicio de reparación. Su electrodoméstico Kenmore ELITE™ proporciona valor adicional cuando Ud. considera que Sears tiene unidades de servicio por todo el país, las cuales cuentan con técnicos profesionales capacitados para prestar servicio a todos los productos electrodomésticos que Sears vende. Ellos cuentan con el conocimiento y capacidad, herramientas, piezas y equipo para reforzar nuestra frase: "Reparamos lo que vendemos."

Mantenga el valor de su compra con un Contrato de mantenimiento Sears. Los electrodomésticos Kenmore ELITE™ están diseñados, fabricados, y probados para proporcionar años de funcionamiento fiable. Sin embargo, cualquier aparato electrodoméstico moderno podrá necesitar servicio de vez en cuando. El Contrato de Mantenimiento Sears le ofrece un programa de servicio excelente para su producto.

El Acuerdo de mantenimiento Sears

- Es la manera de adquirir el servicio técnico del mañana a precios de hoy.
- Elimina las facturas de reparación por uso normal.
- Permite tantas visitas de servicio como sean necesarias.
- Proporciona una Revisión de Mantenimiento Preventivo anual en el momento que Ud. lo solicite para mantener su electrodomésticos Kenmore ELITE™ en buen funcionamiento.

Para obtener más información llame al:
1-800-676-5811

**In U.S.A. or Canada
for in-home major brand repair service:**

Call 24 hours a day, 7 days a week

1-800-4-MY-HOMESM (1-800-469-4663)

Para pedir servicio de reparación a domicilio – 1-800-676-5811

Au Canada pour tout le service – 1-877-LE-FOYERSM (1-877-533-6937)

For the repair or replacement parts you need:

Call 6 a.m. – 11 p.m. CST, 7 days a week

PartsDirectSM

1-800-366-PART (1-800-366-7278)

www.sears.com/partsdirect

Para ordenar piezas con entrega a domicilio – 1-800-659-7084

For the location of a Sears Service Center in your area:

Call 24 hours a day, 7 days a week

1-800-488-1222

To purchase or inquire about a Sears Maintenance Agreement:

Call 7 a.m. – 5 p.m. CST, Monday – Saturday

1-800-827-6655

