

SERVICE DATA SHEET

318047415 (0411) Rev. B

Electric Wall Oven with ES600 Electronic Oven Control

NOTICE

This service data sheet is intended for use by persons having electrical and mechanical training and a level of knowledge of these subjects generally considered acceptable in the appliance repair trade. **The manufacturer cannot be responsible, nor assume any liability, for injury or damage of any kind arising from the use of this data sheet.**

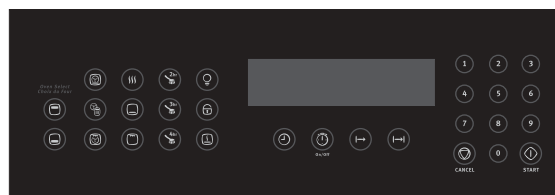
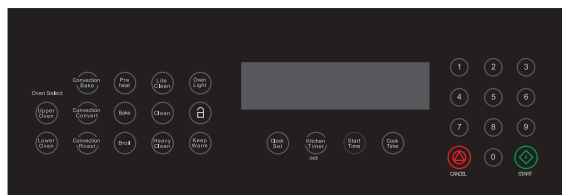
SAFE SERVICING PRACTICES

To avoid the possibility of personal injury and/or property damage, it is important that safe servicing practices be observed. The following are examples, but without limitation, of such practices.

1. Do not attempt a product repair if you have any doubts as to your ability to complete it in a safe and satisfactory manner.
2. Before servicing or moving an appliance, remove power cord from electric outlet, trip circuit breaker to OFF, or remove fuse and turn off gas supply.
3. Never interfere with the proper installation of any safety device.
4. USE ONLY REPLACEMENT PARTS CATALOGED FOR THIS APPLIANCE. SUBSTITUTIONS MAY DEFEAT COMPLIANCE WITH SAFETY STANDARDS SET FOR HOME APPLIANCES.
5. GROUNDING: The standard color coding for safety ground wires is GREEN OR GREEN WITH YELLOW STRIPES. Ground leads are not to be used as current carrying conductors. IT IS EXTREMELY IMPORTANT THAT THE SERVICE TECHNICIAN REESTABLISH ALL SAFETY GROUNDS PRIOR TO COMPLETION OF SERVICE. FAILURE TO DO SO WILL CREATE A POTENTIAL HAZARD.
6. Prior to returning the product to service, ensure that:
 - All electric connections are correct and secure.
 - All electrical leads are properly dressed and secured away from sharp edges, high-temperature components, and moving parts.
 - All non-insulated electrical terminals, connectors, heaters, etc. are adequately spaced away from all metal parts and panels.
 - All safety grounds (both internal and external) are correctly and securely reassembled.
 - All panels are properly and securely reassembled.

ELECTRONIC OVEN CONTROL

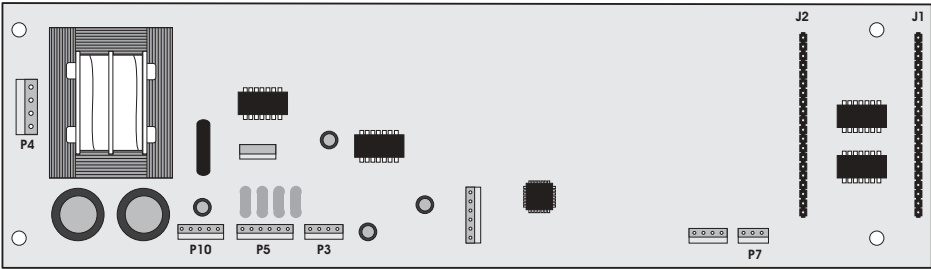
1. This self-cleaning controller offers Bake, Broil, Preheat, Convection Bake and Convection Roasting modes, Timed and Delayed Baking, and Cleaning functions.
2. Convection operates with an element and a fan dedicated to convection.
3. This controller has a touch sensitive glass.
4. This controller includes a display board, a relay board and a power supply board.



NOTE: The controllers are not field repairable. Only temperature settings can be changed. See oven calibration.

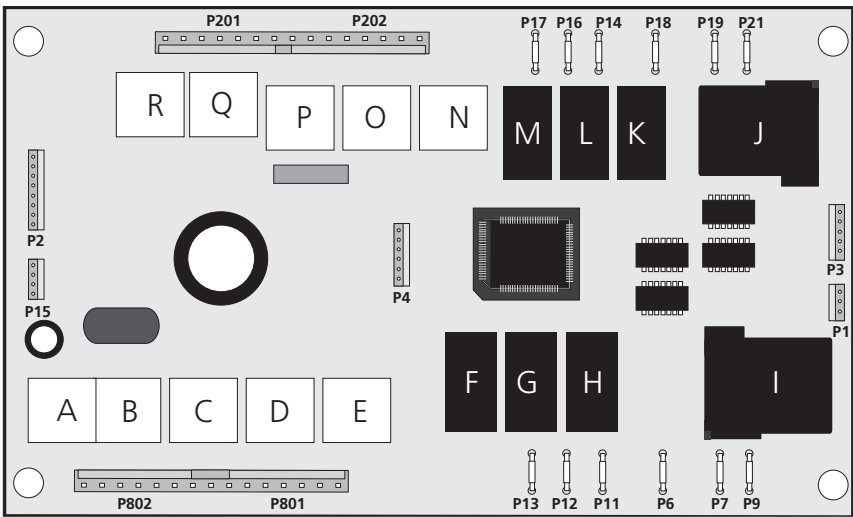
ELECTRONIC OVEN CONTROL

Electronic oven control display board



- J1, J2- Keyboard connectors. Connected to the touch sensitive glass pad.
- P3- Low voltage power supply. Connected to P15 on the relay board.
- P4- Main supply voltage.
- P5- Supply for the glass panel lights. Connected to the glass panel.
- P7- Communication link. Connected to P3 on the relay board.
- P10- Supply voltage for glass panel lights. Connected to P2 on the power supply board.

Electronic oven control relay board



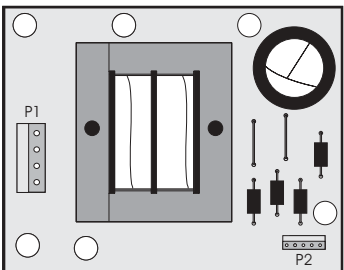
Relay Board Legend:

- A. Lower low speed cooling fan
- B. Lower high speed cooling fan
- C. Lower MDL relay
- D. Lower convection fan relay
- E. Lower light relay
- F. Lower convection relay
- G. Lower bake relay
- H. Lower broil relay
- I. Lower DLB relay
- J. Upper DLB relay
- K. Upper broil relay
- L. Upper bake relay
- M. Upper convection relay
- N. Upper low speed cooling fan
- O. Upper high speed cooling fan
- P. Upper MDL relay
- Q. Upper convection fan relay
- R. Upper light relay

This relay board serves to energize the upper and lower oven heating elements, convection and door lock motors, and oven lamp.

- P2- Temperature probes connector.
- P3- Communication link. Connected to P7 on the display board.
- P15- Low voltage power supply connector. Connected to P3 on the display board.
- P801,P201- Switch inputs.
- P802,P202- Output for light, fan, motor door latch. Refer to the Wiring Diagram for more details.
- P9 Lower oven L2 out, P21 Upper oven L2 out
- P7 Lower oven L2 in, P19 Upper oven L2 in
- P6 Lower oven L1, P18 Upper oven L1
- P11 Lower oven Broil element, P14 Upper oven Broil element
- P12 Lower oven Bake element, P16 Upper oven Bake element
- P13 Lower oven Convection, P17 Upper oven Convection

Electronic oven control power supply board



- This board supplies power to the lights of the glass panel.
- P1- Main supply voltage.
- P2- Supply voltage for glass panel lights. Connected to P10 on the display board.

CONVECTION MODE

The convection oven uses the addition of a fan and an element to heat and to move the air already in the oven. Moving the heated air helps to destratify the heat and cause uniform heat distribution. Cooking times can be reduced by as much as 30%. The air is drawn in through a fan shroud and the element located on the rear wall of the oven. It is then discharged around the outer edges of this shroud. The air circulates around the food and then enters the shroud again. As with conventional electric ranges, there is still an oven vent which discharges through the rear of the cooktop.

To set the control in convection mode, follow these steps:

1. Press the **CONV. BAKE/ROAST** pad.
2. Enter the desired temperature on the keypad (set point).
3. Press the **START** pad.

The oven will automatically start and the fan will begin to run. To cancel the convection baking/roasting function, press the **CANCEL** pad.

NOTE: The fan runs continuously while in the convection mode. The fan will stop if the door is opened while convection baking/roasting. The convection element will stop operating if the door is opened.

PREHEAT

During a preheat mode, the oven uses bake and broil elements to reach the controller set point. Both elements use full power when they are on but they are never on at the same time. When the set point is reached, the preheat mode is converted in a normal bake mode.

NORMAL BAKE

During a normal bake mode, the controller preheats the oven with the bake and broil elements. When the desired temperature is reached, the controller adds top heat by cycling the broil element on for 5 to 18 seconds per minute. The bake element is on for the remaining time of the minute. Both elements use full power when they are on but they are never on at the same time.

CLEAN

During a cleaning process, the oven uses the bake and broil elements.

RACK SENSOR

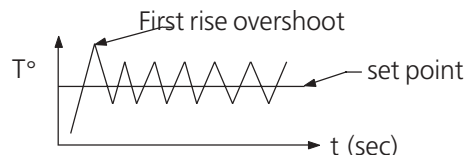
Racks and rack holders must be removed to do a self-cleaning cycle. "Remove Racks" should appear in the controller display if the racks and rack holders are not removed and self-clean won't start.

CLEAN AND TIMED CLEAN

When these modes are called, the door locks right after start button is pushed.

FIRST RISE

It is normal to see a temperature overshoot in the first rise of all modes when you monitor the temperature.



OVEN CALIBRATION

Set the electronic oven control for normal baking at 350°F/176°C. Obtain an average oven temperature after a minimum of 5 cycles. Press Cancel to end bake mode.

Note: Changing calibration affects all the cooking modes but not the clean and the broil modes.

ELECTRONIC OVEN CONTROL

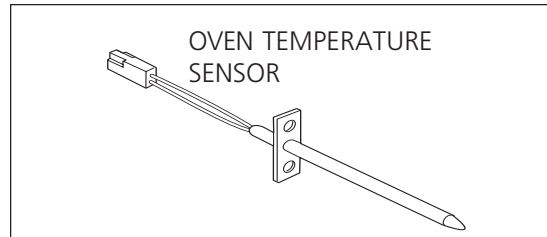
ELECTRONIC OVEN CONTROL FAULT CODE DESCRIPTIONS AND RTD SCALE

Note: Generally speaking "F1x" implies a control failure, "F2x" a bad communication between display board and relay board, "F3x" an oven probe problem, and "F9x" a door latch motor problem.

Fault Code	Likely Failure Condition/Cause	Suggested Corrective Action
F10	Control has sensed a potential runaway (over temperature) oven condition. Control may have shorted relay, RTD sensor probe may be defective.	<ol style="list-style-type: none"> 1- Press Clear or Cancel key. 2- Check RTD sensor probe and replace if necessary. If oven is overheating, disconnect power. If oven continues to overheat when power is reapplied, replace the relay board. Severe overheating may require the entire oven to be replaced, should damage be extensive.
F11	Shorted Key: if a key has been detected as pressed for a long period of time it is considered as a shorted key. The control generates an alarm and terminates all oven activity.	<ol style="list-style-type: none"> 1- Press Cancel key. 2- If fault returns replace the control panel (the touch sensitive glass panel). 3- If the problem persists replace the display board.
F13	Control's internal memory may have become corrupted.	<ol style="list-style-type: none"> 1- Press Cancel key. 2- If fault returns disconnect power, wait 30 seconds and reapply power. 3- If the problem persists upon power-up replace the display board.
F14	Misconnected keyboard cable: one of the cables that connect the touch sensitive glass panel to the display board is not well connected.	<ol style="list-style-type: none"> 1- Disconnect power. Verify the two flat cable connections between the display board and the control panel (J1 and J2 on the display board). Verify also that P10 of the display board is connected to P2 of the power supply board. 2- If the connections are good but the problem persists replace the display board and/or the control panel.
F20	Communication problem between the display board and the relay board.	<ol style="list-style-type: none"> 1- Press Cancel key. 2- Verify connection between P7 of the display board and P3 of the relay board. 3- If the problem persists replace the relay board and/or the display board.
F30 & 31	Open (F30) or shorted (F31) RTD sensor probe/ wiring problem. Note: EOC may initially display an "F10", thinking a runaway condition exists.	<ol style="list-style-type: none"> 1- Press Cancel key. 2- Check wiring in probe circuit for possible short or open condition. Check RTD resistance at room temperature (compare to probe resistance chart). If resistance does not match the chart, replace the RTD sensor probe. Let the oven cool down and restart the function. 3- If the problem persists replace the relay board.
F90 to 94	Door motor mechanism failure: F90: max unlock time exceeded F91: max unlock attempts exceeded F92: max door open time exceeded F93: max lock time exceeded F94: max lock attempts exceeded	<ol style="list-style-type: none"> 1- Press CLEAR key. 2- If CLEAR key does not eliminate problem, turn off power for 30 seconds, then turn on power. 3- Check wiring of Lock Motor, and Lock Switch and Door Switch circuits. 4- Unplug the lock motor from the board and apply power (L1) directly to the Lock Motor. If the motor does not rotate, replace Lock Motor Assembly. 5- Check Lock Switch A for proper operation (do they open and close, check with ohmmeter). The Lock Motor may be powered as in above step to open and close Lock Switch. If the Lock Switch is defective, replace Motor Lock Assembly. 6- If all above steps fail to correct situation, replace the relay board.

RTD SCALE		
Temp. °F	Temp. °C	Resistance (ohms)
32 ± 1.9	0.0 ± 1.1	1000 ± 4.0
75 ± 2.5	23.9 ± 1.4	1091 ± 5.3
250 ± 4.4	121.1 ± 2.4	1453 ± 8.9
350 ± 5.4	176.7 ± 3.0	1654 ± 10.8
450 ± 6.9	232.2 ± 3.8	1852 ± 13.5
550 ± 8.2	287.8 ± 4.6	2047 ± 15.8
650 ± 9.6	343.3 ± 5.3	2237 ± 18.5
900 ± 13.6	482.2 ± 7.6	2697 ± 24.4

ELECTRICAL RATING			
Kw Rating 240/208 V	See nameplate	Bake Element Wattage	3400W/2552W
Broil Element Wattage	4000W/3004W	Convection Element Wattage	2500W/1879W



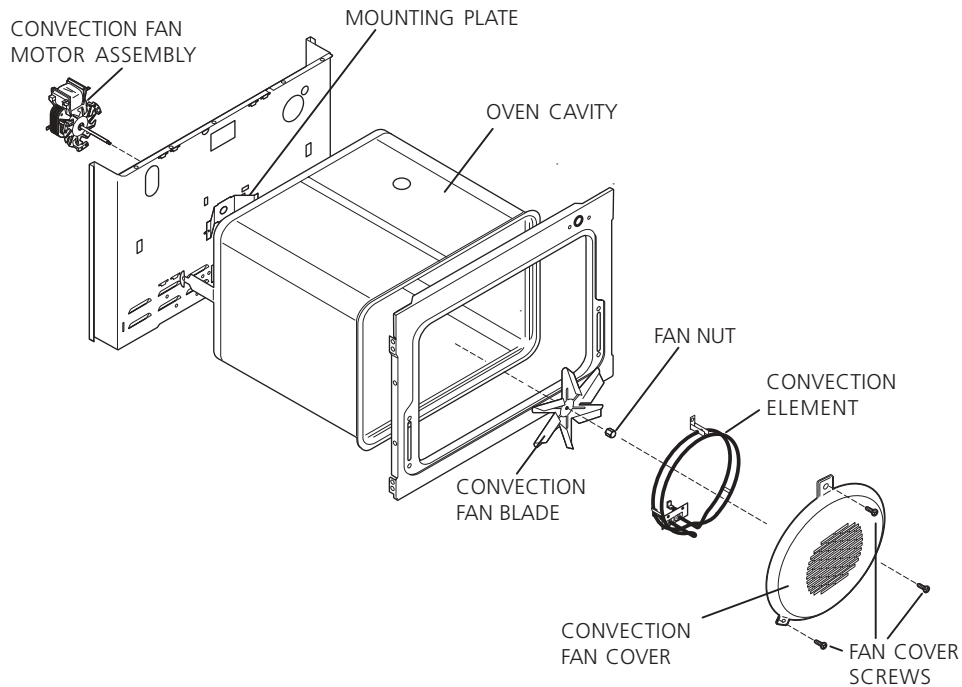
UPPER OVEN CIRCUIT ANALYSIS MATRIX												
	ELEMENTS			Conv. Fan P202-4	Light P202-3	Door Motor P202-5	Lock Motor Switches		CoolingFan		Door Switch P201-7 & P201-3	Rack Sense P201-7 & P201-4
	Bake P16	Broil P14	Conv. P17				P201-7 & P201-1	A P201-7 & P201-2	Low speed P202-7	High speed P202-6		
Bake	X	X*							X			
Broil		X							X			
Conv. Bake	X		X	X					X			
Conv. Roast	X	X*		X					X			
Clean	X	X*							X	X		X
Locking						X	NC	NO				
Locked							NO	NC				
Unlocking						X	NO	NC				
Unlocked							NC	NO				
Light					X							
Door Open					X						X	
Door Closed												

* Denotes Topheat Relay will operate in this condition only

LOWER OVEN CIRCUIT ANALYSIS MATRIX												
	ELEMENTS			Conv. Fan P802-4	Light P802-3	Door Motor P802-5	Lock Motor Switches		CoolingFan		Door Switch P801-7 & P801-3	Rack Sense P801-7 & P801-4
	Bake P12	Broil P11	Conv. P13				P801-7 & P801-1	A P801-7 & P801-2	Low speed P802-7	High speed P802-6		
Bake	X	X*							X			
Broil		X							X			
Conv. Bake	X		X	X					X			
Conv. Roast	X	X*		X					X			
Clean	X	X*							X	X		X
Locking						X	NC	NO				
Locked							NO	NC				
Unlocking						X	NO	NC				
Unlocked							NC	NO				
Light					X							
Door Open					X						X	
Door Closed												

* Denotes Topheat Relay will operate in this condition only

EXPLODED VIEW OF CONVECTION SYSTEM



FAN BLADE

The fan blade is mounted in the rear of the unit and has a "D" shaped mounting hole. Only minimum clearance exists between the oven back, fan blade, and fan shroud. Be careful not to bend blade when removing or installing.

Access to the fan blade is gained by removing the fan shroud, held in place by three screws, from the inside of the oven.

The fan blade is held in place with a hex nut that has left handed threads. When removing this nut, gently hold the fan blade, and turn the nut clockwise. If one of the blades becomes deformed, it may be bent back into shape using a flat surface as a reference.

A flat washer is located on the motor shaft between the snap ring on the shaft and the fan blade.

NOTE: If the fan blade is bent and motor vibrations increase, the noise made by the fan will be greater.

MOUNTING PLATE OVEN

The fan motor on the rear of the unit is mounted to the main back (with three screws). There is a mounting plate held in place between the main back (with 2 screws) and the rear oven wall (with 2 screws). Should it be necessary to replace the oven cavity, you must remove the 2 screws located inside the unit at the rear of the oven cavity.

FAN MOTOR

The 120 volt fan motor is located on the outside of the rear of the oven.

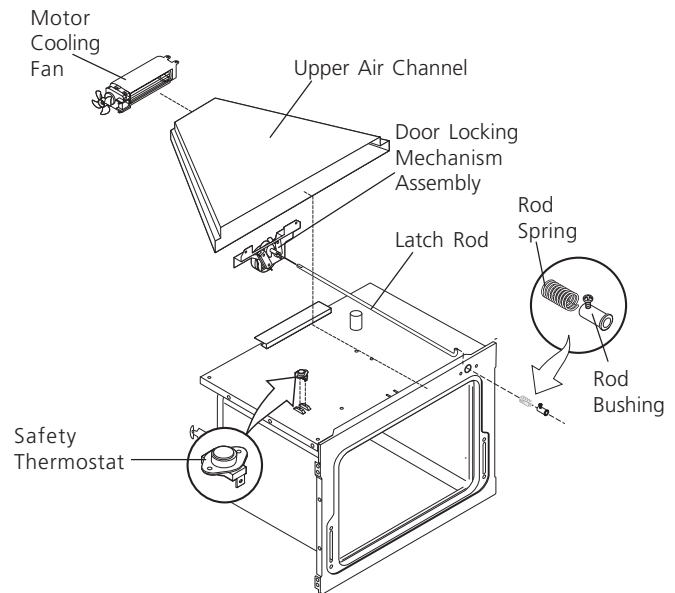
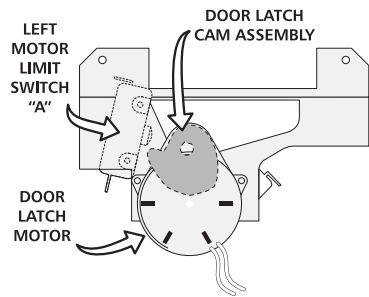
FAN RELAY

The fan motor runs continuously while in the convection mode unless the door is opened. If the fan does not operate, check the following:

- Display illuminated on the electronic control.
- Voltage output between terminals Upper P202-4, Lower P802-4 and Neutral.
- 120 Volts available at fan motor.
- Fan motor coil resistance 15 ohms \pm 10%.
- Door/light switch.

DOOR LOCK MECHANISM

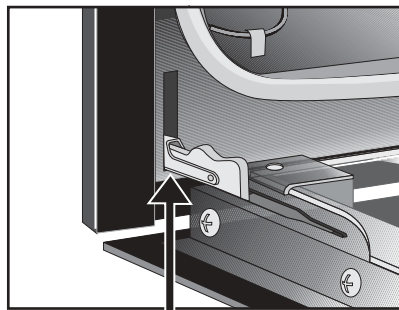
The appliance is equipped with an electronic oven control and has an auto locking door latch feature. When the self clean cycle is programmed, the door is locked by a motor operated latch system. The interior of oven doesn't need to heat up to 500°F/260°C before the door locks. However, until the temperature inside oven reaches 500°F/260°C, the self-clean program can be canceled and door will unlock immediately. After oven reaches temperatures over 500°F/260°C, the door will not unlock until temperature drops below 500°F/260°C.



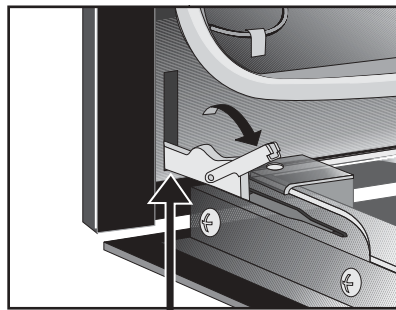
OVEN DOOR REMOVAL AND REPLACEMENT

To Remove and Replace Oven Door

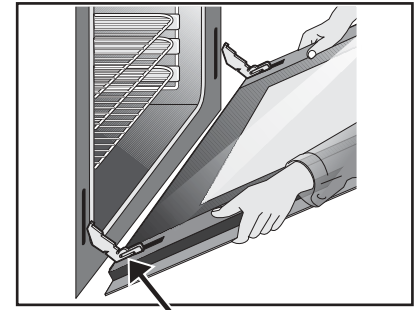
1. Open the door to the fully opened position.
2. Pull up the lock located on each hinge support toward front of range. You may have to apply a little upward pressure on the lock to pull it up.
3. Grasp the door by the sides, pull the bottom of the door up and toward you to disengage the hinge supports. Keep pulling the bottom of the door toward you while rotating the top of the door toward the appliance to completely disengage the hinge levers.
4. Proceed in reverse to re-install the door. Make sure the hinge supports are fully engaged before unlocking the door



Lock in normal position



Lock engaged for door removal



HINGE SLOT Door removed from the range

Horno de pared electrico con ES600 control

NOTICIA

Esta hoja de servicio esta dirigida a las personas con entrenamiento tecnico y a los que tienen un buen nivel de comprension en la reparaci3n de estos aparatos. **El fabricante no puede ser responsable de heridas o daos de alg3n tipo por el uso de esta hoja de informaci3n.**

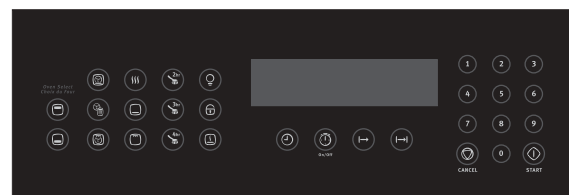
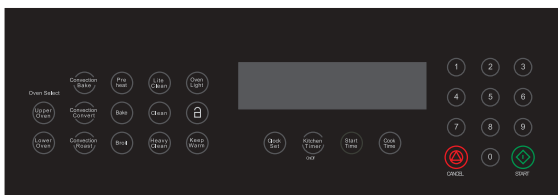
PRACTICAS DE SERVICIO SEGURAS

Para evitar heridas o daos a la propiedad, es importante de seguir estas practicas medidas. A continuaci3n, son ejemplos, pero sin limitaci3n, de estas medidas.

1. No trate de reparar el aparato a menos que crea poder hacerlo satisfactoriamente.
2. Antes de reparar o de desplazar el aparato, retire el cable del toma corriente, APAGUE el suministro de energ3a o retire los fusibles y apague el suministro de gas.
3. Nunca interfiera con la instalaci3n adecuada de un aparato.
4. UTILICE SOLAMENTE EL CATALOGO DE PIEZAS DESIGNADO PARA ESTE APARATO. EL SUBSTITUIRLAS PODRIA ESTAR EN DESACUERDO CON LAS MEDIDAS NECESARIAS PARA LOS APARATOS DE CASA.
5. PUESTA A TIERRA: los cables de seguridad a tierra son VERDES CON LINEAS AMARILLAS. Los cables de tierra no pueden ser utilizados como conductores. ES MUY IMPORTANTE QUE EL TECNICO ESTABLEZCA LA SEGURIDAD DE LA PUESTA TIERRA ANTES DE TERMINAR EL SERVICIO. EL NO HACERLO PUEDE CREAR MUCHO PELIGRO.
6. Antes de devolver el aparato al servicio, aseg3rese que:
 - Todas las conexiones electricas estan bien conectadas y aseguradas.
 - Todos los cables de tierra deben estar bien asegurados, lejos de elementos afilados, lejos de altas temperaturas y cualquier elemento movable.
 - Todos los cables no aislados, conectadores, calentadores, etc. deben estar lo suficientemente lejos de las partes met3licas y de los paneles.
 - Todos los cables de tierra (externos y internos) estan correctamente y bien ensamblados.
 - Todos los paneles estan bien y correctamente ensamblados.

CONTROL DEL HORNO ELECTRICO

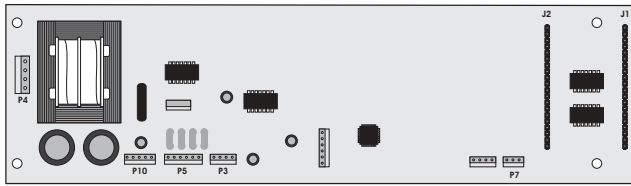
1. Este controlador de auto-limpieza ofrece horneado, asado, pre-calentamiento, horneado de conveccion y rostizado de convecci3n, horneado a retardo y cronometrado y funciones de limpieza.
2. La convecci3n funciona con un elemento y con un ventilador designado para la convecci3n.
3. La corredera y el cuadrante est3n reemplazados por un tablero num3rico de botones digital.
4. Este control usa un Rel3 independiente.



NOTA: Los ES600 no son reparables. Solo los ajustes de temperaturas pueden cambiarse. Vea calibraci3n del horno.

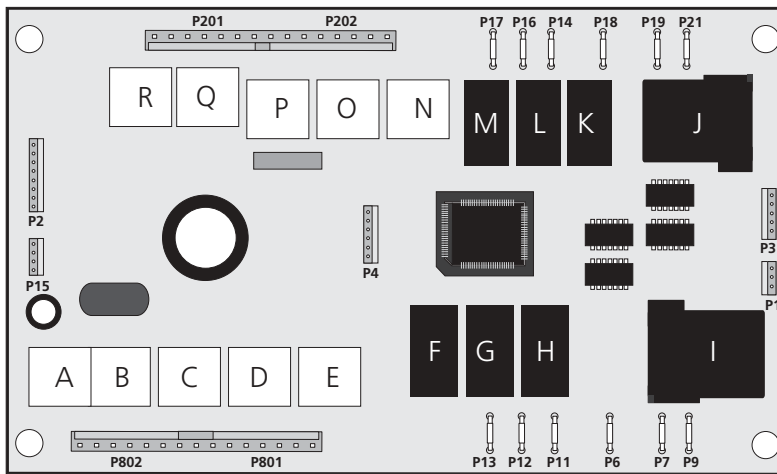
CONTROL DEL HORNO ELECTRICO

Tablero electrónico del visor del control del horno



- J1, J2- Conectores de teclado. Conectado al panel de vidrio.
- P3- Alimentación de bajo voltaje. Conectado a P15 en el panel de relé.
- P4- Alimentación de voltaje principal.
- P5- Alimentación para las luces de panel de cristal. Conectado con el panel de cristal.
- P7- Puente de comunicaciones. Conectado con P3 en el panel de relé.
- P10- Alimentación de voltaje para las luces de panel de cristal. Conectado con P2 en el panel del suministro.

Tablero electrónico de relés del control del horno



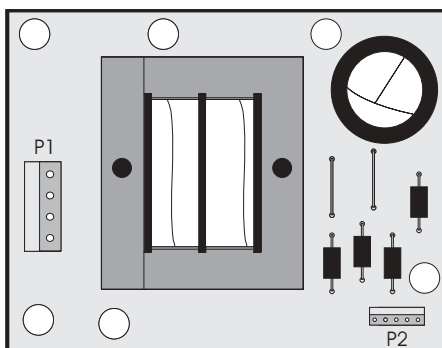
Este relé sirve para suministrar energía a los elementos de calor superiores del horno, a los motores de convección y a la traba de la puerta, y a la lámpara del horno.

- P2- Conector de las sondas de temperatura.
- P3- Puente de comunicaciones. Conectado con P7 en el panel del visor.
- P15- Alimentación de bajo voltaje. Conectado a P3 en el panel del visor.
- P801, P201- entradas del Interruptor.
- P802, P202- Salida para la luz, ventilador, MDL. Refiera al **Diagrama de la instalación alámbrica** para más detalles.
- P9 Horno inferior salida L2, P21 Horno superior salida L2
- P7 Horno inferior entrada L2, P19 Horno superior entrada L2
- P6 Horno inferior L1, P18 Horno superior L1
- P11 Horno inferior elemento de asar, P14 Horno superior elemento de asar
- P12 Horno inferior elemento de horneado, P16 Horno superior elemento de horneado
- P13 Horno inferior Convection, P17 Horno superior Convection

Leyenda del Tablero de relé:

- A. Relé del ventilador de refrigeración de baja velocidad inferior
- B. Relé del ventilador de refrigeración de alta velocidad inferior
- C. Relé MDL inferior
- D. Relé del ventilador de convección inferior
- E. Relé de la luz inferior
- F. Relé de convección inferior
- G. Relé de horneado inferior
- H. Relé de asar inferior
- I. Relé DLB inferior
- J. Relé DLB superior
- K. Relé de asar superior
- L. Relé de horneado superior
- M. Relé de convección superior
- N. Relé del ventilador de refrigeración de baja velocidad superior
- O. Relé del ventilador de refrigeración de alta velocidad superior
- P. Relé MDL superior
- Q. Relé del ventilador de convección superior
- R. Relé de la luz superior

Tablero electrónico del suministro del control del horno



- Este tablero suministra energía a las luces del panel de cristal.
- P1- Alimentación de voltaje principal.
- P3- Alimentación de voltaje para las luces de panel de cristal. Conectado con P10 en el panel del visor.

MODE DE CONVECCIÓN

El horno de convección usa un ventilador adicional y un elemento de calor para mover el aire en el horno. El movimiento del aire caliente ayuda a destratificar el calor y a distribuir el calor uniformemente. El tiempo de cocción pueden ser disminuído hasta 30%. El aire es conducido por dentro con la cubierta del ventilador y el elemento situado en la pared trasera del horno. Después es descargado al exterior por bordes de la cubierta. El aire circula alrededor de la comida y después entra a la cubierta una vez más. Como con las cocinas eléctricas convencionales, hay un orificio de ventilación del horno que se descarga detrás de la plancha de cocinar.

Para ajustar el control a la convección, siga estas etapas:

1. Pulse el botón **CONV-BAKE/ROAST (HORNEAR/ASAR CONV)**.
2. Ponga la temperatura deseada en el tablero numérico (setpoint).
3. Pulse el botón **START (PRENDIDO)**.

El horno comenzará automáticamente y el ventilador empezará. Para cancelar la convección del horneado y del asado, pulse el botón **CANCEL (CANCELAR)**.

NOTA: El ventilador funciona continuamente en el modo de convección. El ventilador se parará si abra la puerta durante el modo de horneado/asado. El elemento de convección no continuará de funcionar si la puerta está abierta.

PRECALENTAMIENTO

Durante un modo de precalentamiento, el horno usa el elemento del horneado y de **asar** para alcanzar el punto del control. Los elementos usan toda la fuerza cuando están encendidos. Cuando se alcanza el punto, el modo de precalentamiento es convertido a un modo normal de horneado.

HORNEO NORMAL

Durante el modo normal de un horneado, el ES600 precalienta el horno con el elemento de horneado y de asar. Cuando la temperatura elegida está alcanzada, el ES600 añade el calor del elemento superior, y el elemento de asado se enciende de 5 a 18 segundos por minuto. El elemento de hornear sigue funcionando por lo que resta del minuto. Los dos elementos usan todas sus fuerzas cuando están encendidos, pero nunca están encendidos al mismo tiempo.

LIMPIAR

Durante el proceso de limpieza, el horno usa el elemento de horneado y de asar.

DETECTOR DE PARRILLAS

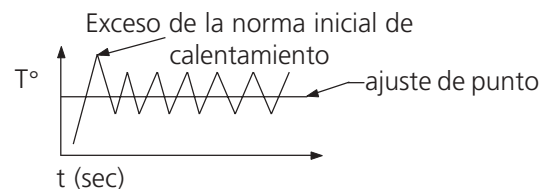
Las parrillas u los soportes de parrillas deben sacarse para el ciclo de autolimpieza. "Remove Racks" aparecerá en el control si son se quitar y el ciclo de limpieza no empezará.

LIMPIEZA Y LIMPIEZA CRONOMETRADA

En estos modos la puerta se cierre inmediatamente después que presione el botón.

CALENTAMIENTO INICIAL

Es normal de ver la temperatura exceder la norma durante el calentamiento inicial de todos los modos cuando controle la temperatura.



CALIBRACIÓN DEL HORNO

Ajuste el control del horno eléctrico para un horneado normal de 350 F°/176 C°. Obtenga una temperatura promedio después de un mínimo de 5 ciclos. Pulse **CANCEL (CANCELAR)** para apagar el modo del horneado.

Nota: cambiar la calibración afecta todos los modos de cocina, pero no el modo de limpieza o de asar.

CONTROL DEL HORNO ELECTRÓNICO

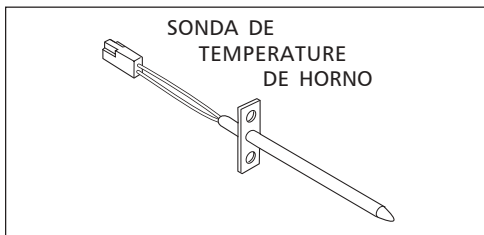
DESCRIPCIONES DEL CODIGO DE ERROR DEL CONTROL DEL HORNO ELECTRÓNICO Y LA ESCALA HID

Nota: Hablando Generalmente "F1x" implica una falla del control, "F2x" una comunicación mala entre la tabla del despliegue y la tabla del relé, "F3x" un problema de tiente de horno y "F9x" un problema motriz de la puerta.

Código de error	Condición/Causa probable del malfuncionamiento	Sugerencias para corregir
F10	El control ha detectado una situación de escape del horno. El control ha podido acortar el relevo, el sensor RTD se ha descompuesto.	1- Pulse la tecla Clear o Cancel. 2- Verifique el sensor RTD y replázelo si es necesario. Si el horno continua a recalentarse, reemplace el EOC. Un recalentamiento extremo necesitaría el remplazo del horno entero si el daño es más importane.
F11	Tablero numérico acortado: Si una tecla se ha detectado presionada por un largo período de tiempo se considera como puesta en cortocircuito. El control genera una alarma y termina todas las actividades del horno.	1- Pulse la tecla Cancel. 2- Si el problema persiste, reemplace el control (el panel de vidrio). 3- Si el problema persiste reemplaza el panel del despliegue
F13	El verificador interno de los controles ha sido distorcionado.	1- Pulse la tecla Cancel. 2- Desconecte el suministro eléctrico, espere 30 segundos y conecte el suministro. 3- Si la falla se repite reemplaza el panel del despliegue.
F14	Falso contacto de cables: Uno de los cables que conectan el panel de cristal con el panel de depliege no está bien conectado.	1- Desconecte la corriente, verifique la conexion de los cables (J1 y J2 del panel de despliege). Verifique también que P10 del panel de despliegue está conectado con P2 del panel del suministro del control del horno. 2- Si las conexiones son buenas pero el problema persiste substituye el panel del despliegue o/y el panel de control.
F20	Problema de comunicación con la placa de relé y el despliege.	1- Pulse la tecla Cancel. 2- Verifique la conexión entre P7 del panel del despliege P3 de la placa de relé. 3- Si el problema persiste substituye el panel del despliegue o/ y el panel del relé.
F30 & 31	Sensor de RTD abierto (F30) o puesto en cortocircuito (F31)/problema de lambrado. Nota: EOC puede mostrar inicialmente un "F10", pensando que una situación de escape existe.	1- Pulse la tecla Cancel. 2- Verifique si el circuito de alambrado no está corto. Verifique la resistencia de RTD a la temperatura de la pieza (compárela a la tabla de resistencias). Si la resistencia no es igual a la de la tabla, reemplace el sensor RTD. Deje enfriar el horno y vuelva a empezar la función 3- Si el problema persiste substituye el panel del relé.
F90 to 94	Falla del mecanisom del motor de puerta. F90: tiempo máximo para destrancar excedido F91: tentativas máxima para destrancar la puerta excedidas F92: tiempo máximo de destranco de la puerta excedido F93: tiempo máximo para trancar excedido F94: tentativas máxima para trancar la puerta excedidas	1- Pulse la tecla Clear. 2- Si al pulsar CLEAR, el problema no desaparece, desconecte el suministro eléctrico por 30 segundos y luego vuelva a conectarlo. 3- Verifique el alambrado del Cierre del motor y el Cierre del interruptor A y también los Circuitos de interruptores de la puerta. 4- Desconecte P4, conecte el suministro eléctrico (L1) directamente al Cierre del motor. Si el motor no rota, reemplace el Asamblado del cierre del motor. Conecte P4. 5- Verifique si los Interruptores de cierre A funcionan correctamente (se abren y se cierran, verifiquelo con un ohmometro). El Cierre del motor puede ser utilizado como anteriormente para abrir y cerrar los Interruptores de cierre. Si estos no funcionan, reemplace el Asamblado del cierre del motor. 6. Si todas estas sugerencias no corrigen la situación, reemplace el control.

RTD SCALE		
Temp. °F	Temp. °C	Resistencia (ohms)
32 ± 1.9	0.0 ± 1.1	1000 ± 4.0
75 ± 2.5	23.9 ± 1.4	1091 ± 5.3
250 ± 4.4	121.1 ± 2.4	1453 ± 8.9
350 ± 5.4	176.7 ± 3.0	1654 ± 10.8
450 ± 6.9	232.2 ± 3.8	1852 ± 13.5
550 ± 8.2	287.8 ± 4.6	2047 ± 15.8
650 ± 9.6	343.3 ± 5.3	2237 ± 18.5
900 ± 13.6	482.2 ± 7.6	2697 ± 24.4

CALIBRACIÓN ELÉCTRICA			
KW Calibración 240/208	See nameplate	Vatio de elemento para hornear	3400W/2552W
Vatio de elemento para asar	4000W/3004W	Vatio de elemento de convección	2500W/1879W



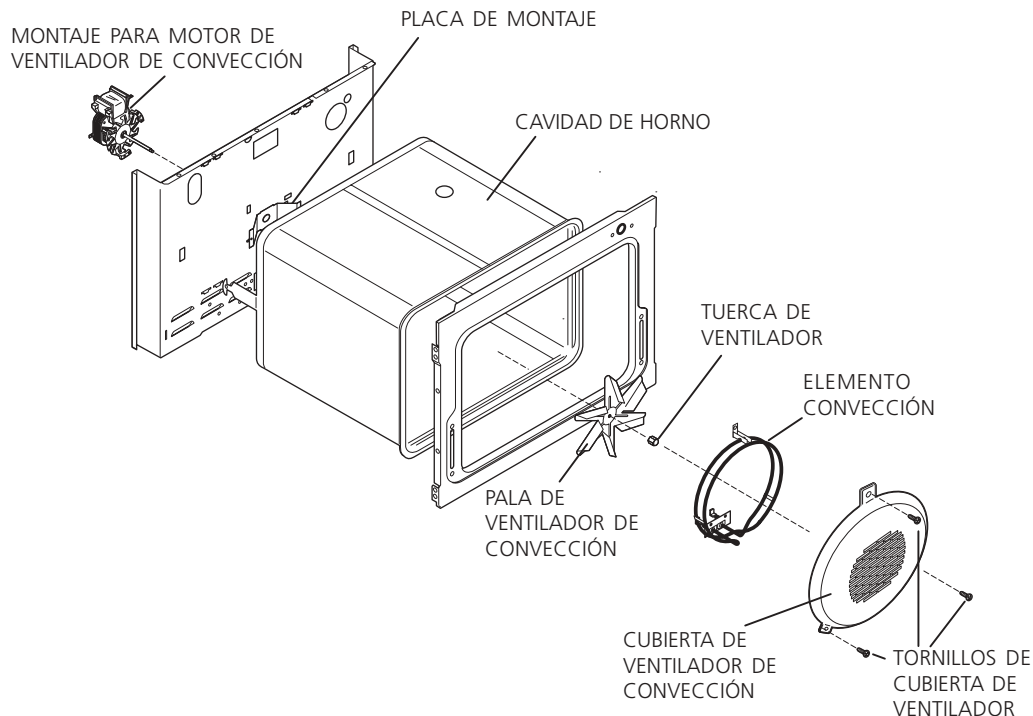
	ELEMENTOS			Vent. Conv P202-4	Luz P202-3	Motor Puerta P202-5	Interr. P201-7 & P201-1	Motor Cierre A P201-7 & P201-2	Ventilador		Cerradura puerta P201-7 & P201-3	Detector de parrillas P201-7 & P201-4
	Hornear P16	Asar P14	Conv. P17						Baja velocidad P202-7	Alta velocidad P202-6		
Hornear	X	X*							X			
Asar		X							X			
Hornear Conv.	X		X	X					X			
Asando Conv.	X	X*		X					X			
Limpiar	X	X*							X	X		X
Cerrando						X	NC	NO				
Cerrado							NO	NC				
Abriendo						X	NO	NC				
Abrido							NC	NO				
Luz					X							
Puerta abierta					X						X	
Puerta Cerrada												

* Denota el calor del elemento superior El relé va a funcionar en esta condición solamente.

	ELEMENTOS			Vent. Conv P802-4	Luz P802-3	Motor Puerta P802-5	Interr. P801-7 & P801-1	Motor Cierre A P801-7 & P801-2	Ventilador		Cerradura puerta P208-7 & P801-3	Detector de parrillas P801-7 & P801-4
	Hornear P12	Asar P11	Conv. P13						Baja velocidad P802-7	Alta velocidad P802-6		
Hornear	X	X*							X			
Asar		X							X			
Hornear Conv.	X		X	X					X			
Asando Conv.	X	X*		X					X			
Limpiar	X	X*							X	X		X
Cerrando						X	NC	NO				
Cerrado							NO	NC				
Abriendo						X	NO	NC				
Abrido							NC	NO				
Luz					X							
Puerta abierta					X						X	
Puerta Cerrada												

* Denota el calor del elemento superior El relé va a funcionar en esta condición solamente.

VISTA AGRANDADA DE SISTEMA DE CONVECCIÓN



LAMA DEL VENTILADOR

La lama del ventilador está montada detrás del aparato y tiene una forma de "D" montada en el hueco. Solo un pequeño espacio existe entre la parte posterior del horno, la lama del ventilador y la cubierta del ventilador del horno. Tenga mucho cuidado de no inclinar la lama cuando la retire o la instale.

Puede tener acceso a la lama del ventilador retirando la cubierta de este por adentro del horno. La cubierta del ventilador está fijada con 3 tornillos.

La lama del ventilador está fijada con un tornillo hexagonal con enrosques hacia la izquierda. Cuando quite este tornillo, sostenga delicadamente la lama del ventilador y voltee el tornillo en la dirección de las agujas de un reloj. Si unas de estas lamas se deforman, se pueden doblar para que tomen forma en una superficie plana.

Un lavador plano está situado en el eje del motor entre el anillo sujetador y la lama del ventilador.

NOTA: Si la lama del ventilador está doblada y las vibraciones del motor aumentan, el ventilador producirá más ruido.

MONTAJE DEL PLATO DEL HORNO

El motor del ventilador localizado detrás del aparato, está ajustado a la parte trasera (con tres tornillos). Esta también un plato montado sostenido en su lugar entre la parte trasera (con dos tornillos) y detrás de la pared del horno (con dos tornillos). Si es necesario reemplazar la cavidad del horno, tiene que retirar los 2 tornillos situados dentro del aparato detrás de la cavidad del horno.

MOTOR DEL VENTILADOR

El motor de ventilador está situado en la parte exterior trasera del horno. Es un motor de 2120 voltios.

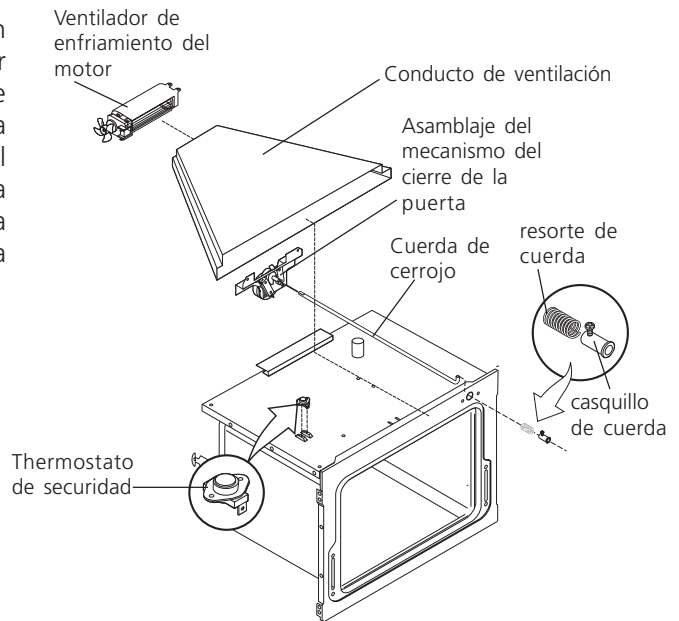
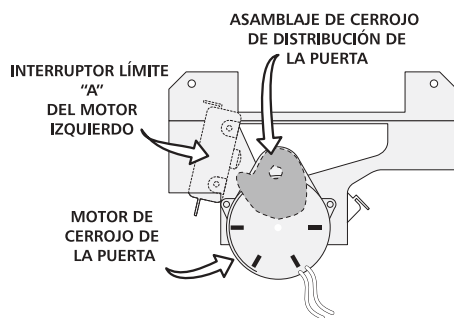
RETRAZO DEL VENTILADOR

El motor del ventilador funcionará continuamente en el modo de convección mientras la puerta no este abierta. Si el ventilador no funciona, revise lo siguiente:

- Lo que aparece en la pantalla del control electronico.
- Voltaje entre los terminales superior P202-4, Inferior P802-4 y Neutral
- 120 voltios disponible en el motor del ventilador
- El motor del ventilador tiene una resistencia de 15 ohms =10%
- Boton de puerta /luz

CIERRE DE LA PUERTA

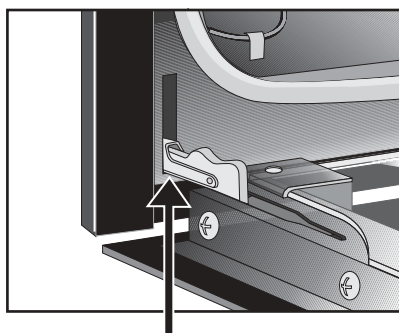
El aparato esta equipado con un horno eléctrico y tiene un cerrojo auto-cierre para la puerta. Cuando la auto-limpieza este programada, la puerta esta cerrada con un motor funcionando con un sistema de cerrojo. El interior del horno no necesita llegar a una temperatura mas de 500° F/260° C antes que la puerta cierre. Mientras que la temperatura del horno no llegue a 500° F/260° C, el programa de auto-limpieza puede ser cancelado y la puerta se abrirá rapidamente. Después que la temperatura llegue mas de 500° F/260° C, la puerta no abrirá hasta que la temperatura baje menos de 500°F/260°C.



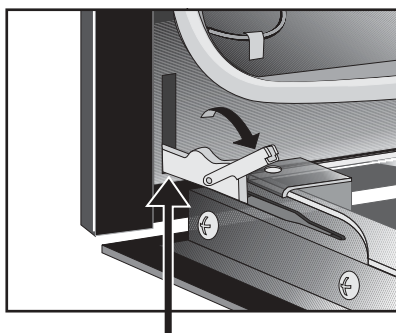
PARA RETIRAR Y REPONER LA PUERTA DEL HORNO

Para quitar y reemplazar la puerta del horno

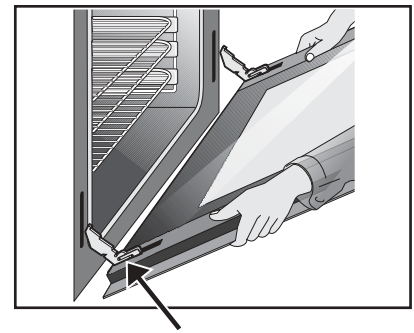
1. Abra la puerta del horno por completo.
2. Devante el seguro de cada bisagra, puede ser que tenga que presionar un poco para levantarlo.
3. Tome la puerta por los lados, jale el fondo de la puerta hacia arriba y al frente para sacar los soportes de la bisagra. Siga jalando hacia usted la puerta rotandola al mismo tiempo hacia la estufa para sacar por completo la bisagra.
4. Para ensamblarla de nuevo proceda a la inversa. Asegúrese que los soportes de la bisagra esten completamente insertos antes de desactivar el seguro de la bisagra.



Seguro en posición normal



Seguro desactivado para sustraer la puerta.



Apertura de bisagra puerta desensamblada de la estufa.

Four Encastré Électrique
avec commande de four électronique ES600

AVIS

Cette feuille de données d'entretien est destinée aux personnes ayant reçu une formation en électricité et en mécanique, et qui possèdent un niveau de connaissance jugé acceptable dans l'industrie de réparation des appareils électroménagers. **Le fabricant ne peut être tenu responsable, ni n'assumer aucune responsabilité, pour toute blessure ou dommage de quelque nature que ce soit pouvant résulter de l'utilisation de cette feuille de données.**

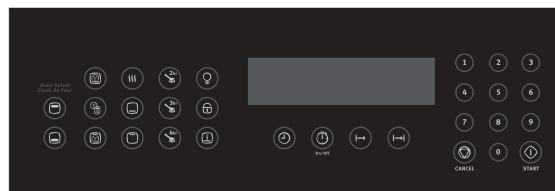
PRATIQUES D'ENTRETIEN SÉCURITAIRES

Pour éviter tout risque de blessure et/ou dommage matériel, il est important que des pratiques d'entretien sécuritaires soient suivies. Voici quelques exemples de pratiques sécuritaires.

1. N'essayez jamais de réparer un appareil si vous ne croyez pas avoir les compétences nécessaires pour le faire de manière satisfaisante et sécuritaire.
2. Avant de procéder au service d'entretien ou de déplacer tout appareil ménager, débranchez le cordon d'alimentation de la prise électrique, réglez le disjoncteur de circuit à OFF, ou enlevez le fusible et fermez le robinet d'alimentation en gaz.
3. N'entrez jamais l'installation adéquate de tout dispositif de sécurité.
4. UTILISEZ QUE les pièces de remplacement énumérées dans le catalogue pour cet appareil. LA MOINDRE SUBSTITUTION risque de ne pas être conforme aux normes de sécurité établies pour les appareils électroménagers.
5. MISE À LA TERRE: La couleur de codage standard des conducteurs de mise à la terre de sécurité est VERTE ou VERTE À BARRES JAUNES. Les conducteurs de mise à la terre ne doivent pas être utilisés comme conducteurs de courant. Il est d'une IMPORTANCE CAPITALE que le technicien d'entretien complète toutes les mises à la terre de sécurité avant de terminer le service. Si cette recommandation n'est pas suivie à la lettre, il en résultera des risques pour les personnes et les biens.
6. Avant de retourner le produit au service de réparation ou d'entretien, assurez-vous que:
 - Toutes les connexions électriques sont correctes et sécuritaires.
 - Tous les conducteurs électriques sont correctement préparés et sécuritairement à l'abri des bords tranchants, des composants à température élevée, et des parties mobiles.
 - Toutes les bornes électriques, connecteurs, réchauffeurs, etc. dénudés sont espacés convenablement loin de toute pièce en métal et des panneaux.
 - Toutes les mises à la terre de sécurité (interne et externe) sont correctement et sécuritairement assemblées.
 - Tous les panneaux sont correctement et fermement remontés.

COMMANDE ÉLECTRONIQUE DE FOUR

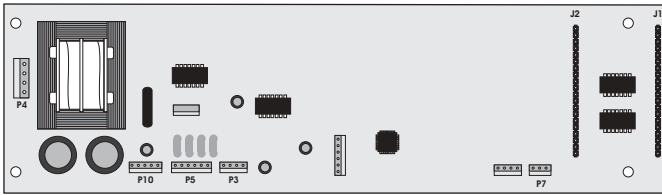
1. Cette commande de four convection offre les fonctions suivantes: cuisson au four, griller, cuisson à convection, rôtissage à convection, temps de cuisson et temps de cuisson différé ainsi que les fonctions de nettoyage.
2. Le mode convection fonctionne avec un ventilateur et un élément qui lui sont propres.
3. Cette commande de four possède une vitre à touches sensibles.
4. Cette commande de four est équipée d'une plaque relais indépendante. Ce contrôleur inclut un panneau d'affichage, un panneau de relais et un panneau d'alimentation électrique.



NOTE: Cette commande de four n'est pas réparable sur place. Seulement des réglages de température peuvent être faits. Voir étalonnage du four.

COMMANDE ÉLECTRONIQUE DE FOUR

Panneau d'affichage



J1, J2- Connecteurs de clavier. Connecté au panneau de verre a touches sensibles.

P3- Alimentation de basse de tension. Connecté à P15 sur le panneau de relais.

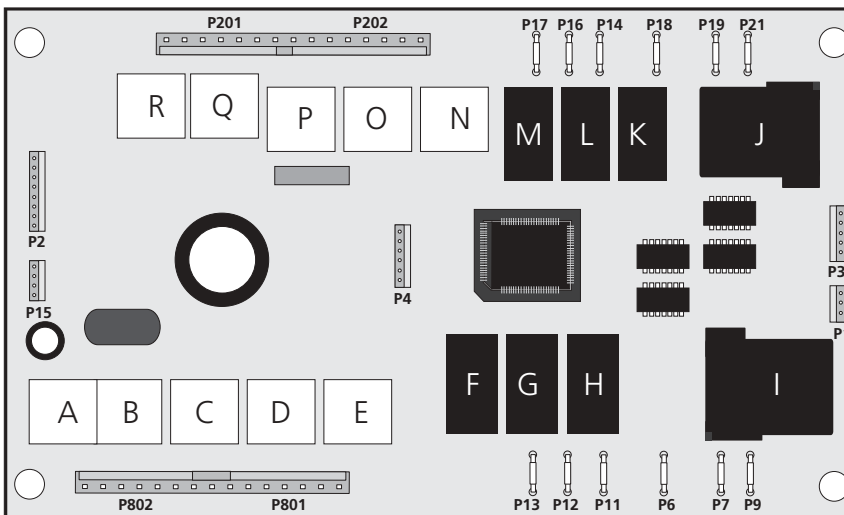
P4- Tension d'alimentation principale.

P5- Alimentation pour les lumières du panneau de verre. Connecté au panneau de verre.

P7- Liaison. Connecté à P3 du panneau de relais.

P10- Tension d'alimentation pour les lumières du panneau de verre. Connecté à P2 du panneau d'alimentation électrique.

Panneau de relais



Ce relais sert à activer les éléments supérieurs et inférieurs de four, de convection, les moteurs des portes et la lampe.

P2- Connecteur pour sonde de température.

P3- Liaison. Connecté à P7 du panneau d'affichage.

P15- Connecteur d'alimentation de bas voltage. Connecté à P3 du panneau d'affichage.

P801, P201- Entrées de commutateur.

P802, P202- Sortie pour la lumière, ventilateur et le loquet du moteur de la porte. Se référer au Schéma de Câblage pour plus de détails.

P9 Four du bas sortie L2, P21 Four du haut sortie L2

P7 Four du bas entrée L2, P19 Four du haut entrée L2

P6 Four du bas L1, P18 Four du haut L1

P11 Four du bas élément de grillage, P14 Four du haut élément de grillage

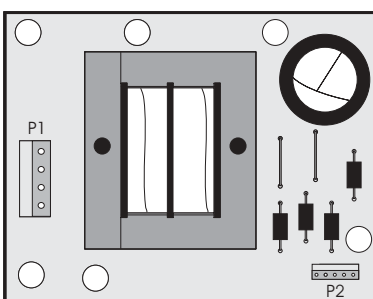
P12 Four du bas élément de cuisson, P16 Four du haut élément de cuisson

P13 Four du bas Convection, P17 Four du haut Convection

Legende du panneau de relais:

- A. Ventilateur à basse vitesse inférieur
- B. Ventilateur à haute vitesse inférieur
- C. Relais MDL inférieur
- D. Relais du ventilateur de convection inférieur
- E. Relais de lumière inférieur
- F. Relais de convection inférieur
- G. Relais de cuisson inférieur
- H. Relais de grillage inférieur
- I. Relais DLB inférieur
- J. Relais DLB supérieur
- K. Relais de grillage supérieur
- L. Relais de cuisson supérieur
- M. Relais de convection supérieur
- N. Ventilateur à basse vitesse supérieur
- O. Ventilateur à haute vitesse supérieur
- P. Relais MDL supérieur
- Q. Relais du ventilateur de convection supérieur
- R. Relais de lumière supérieur

Panneau d'alimentation électrique



Ce panneau fournit l'alimentation électrique aux lumières du panneau de verre.

P1- Tension d'alimentation principale.

P3- Tension d'alimentation pour les lumières du panneau de verre. Connecté à P10 du panneau d'affichage.

MODE CONVECTION

Le four à convection utilise un élément et un ventilateur pour chauffer et faire circuler l'air qui se trouve déjà dans le four. La circulation de l'air chaud permet de déstratifier la chaleur et d'obtenir une répartition de la chaleur uniforme. Le temps de cuisson peut être réduit de près de 30%. L'air est attiré vers l'élément à l'intérieur du diffuseur du ventilateur situé sur la paroi arrière du four. Il est ensuite libéré autour des extrémités extérieures du diffuseur. L'air circule autour de l'aliment et pénètre à nouveau dans le diffuseur. Comme dans les cuisinières électriques conventionnelles, il existe toujours un orifice ventilateur qui évacue l'air à l'arrière de la plaque de cuisson.

Pour régler la commande de cuisson par convection, suivez les deux étapes ci-dessous:

1. Appuyez sur la touche **CUISSON À CONVECTION/RÔTISSAGE À CONVECTION**.
2. Ajustez la commande du four à la température désirée (point de consigne) à l'aide du clavier.
3. Appuyez sur la touche **DÉPART**.

Le four et le ventilateur se mettent automatiquement en marche. Pour annuler la fonction de cuisson par convection, appuyez sur la touche **EFFACER**.

NOTE: Le ventilateur fonctionne sans interruption durant la cuisson par convection. Le ventilateur s'arrête si la porte s'ouvre pendant la cuisson/rôtissage par convection. L'élément de convection arrête de fonctionner si la porte est ouverte.

PRÉCHAUFFAGE

Durant la fonction de préchauffage, le four utilise la chaleur des éléments de cuisson et de grillage pour atteindre la température de cuisson réglée. Une fois la température dans le four désirée atteinte, la commande de four remplace la fonction "Préchauffage" par la fonction "Cuisson".

CUISSON

Lors de la cuisson traditionnelle, le four utilise la chaleur des éléments de cuisson et de grillage afin d'atteindre la température réglée. Une fois la température du four désirée atteinte, la commande du four active l'élément supérieur pour environ 5 à 18 secondes par minute. Les éléments sont en fonction pendant les autres secondes de la minute. Les deux éléments sont à leur pleine puissance lorsqu'ils sont en fonction. Par contre ils ne fonctionnent jamais en même temps.

NETTOYAGE DU FOUR

Lorsque la fonction nettoyage est en opération, le four utilise la chaleur des éléments de cuisson et de grillage.

DÉTECTEUR DE SUPPORTS À TABLETTES DU FOUR

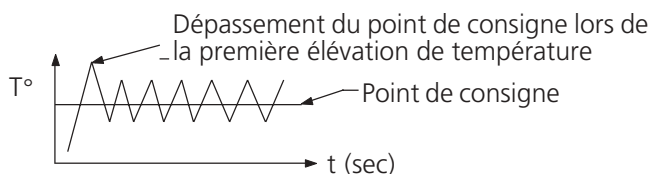
Les tablettes et supports à tablettes du four doivent être enlevés durant le cycle de nettoyage. "Remove Racks" apparaîtra à l'écran si les tablettes et supports ne sont pas enlevés.

NETTOYAGE ET NETTOYAGE MINUTÉ

Lorsque ces fonctions sont demandées, la porte se verrouille aussitôt que la touche départ est activée.

PREMIÈRE ÉLÉVATION DE LA TEMPÉRATURE

Il est normal que la température du four dépasse le point de consigne désiré lors de sa première élévation de température pour les différentes fonctions.



CALIBRATION DU FOUR

Réglez le point de consigne pour une cuisson traditionnelle à 350°F (177°C). Mesurez la température moyenne du four après un minimum de 5 cycles. Appuyez sur la touche EFFACER pour terminer le mode de cuisson.

Note: Modifier l'étalonnage affecte tous les modes de cuisson mais pas les modes de nettoyage et de grillage.

COMMANDE ÉLECTRONIQUE DU FOUR

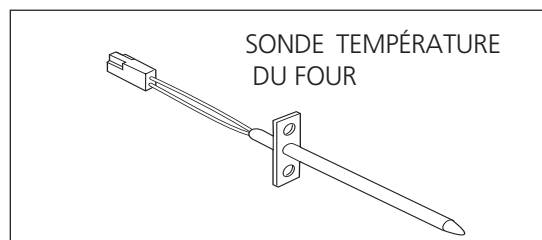
DESCRIPTION DES CODES D'ERREUR DE LA COMMANDE DE FOUR

Note : De façon générale "F1x" indique des erreurs internes de la commande du four, "F2x" est un problème de communication entre le panneau d'affichage et le panneau de relais, "F3x" un problème avec la sonde du four et "F9x" un problème avec le moteur verrou.

Code d'erreur	Condition/cause	Action corrective suggérée
F10	La commande de four a décelé une condition d'emballlement possible. La commande présente un relais en court-circuit, (RTD) mauvais fonctionnement de la sonde.	1- Appuyez sur la touche Clear ou Cancel. 2- Vérifiez la sonde RTD et remplacez-la si nécessaire. Si le four surchauffe, coupez le courant. S'il continue de surchauffer une fois que le courant est rétabli, remplacez la commande de four. Un surchauffage important peut entraîner le remplacement du four.
F11	Touches en court-circuit: si une touche a été détectée comme enfoncée durant une longue période de temps on la considère comme court-circuitée. La commande produit une alarme et termine toute activité du four.	1- Appuyez sur la touche Cancel. 2- Si l'erreur persiste, remplacez le panneau de commande (le panneau de touche en verre). 3- Si le problème persiste remplacez le panneau d'affichage.
F13	La mémoire interne du contrôle est corrompue.	1- Appuyez sur la touche Cancel. 2- Si l'erreur persiste, débranchez l'appareil, attendez 30 secondes et rebranchez-le. 3- Si le problème persiste remplacez le panneau d'affichage.
F14	Câbles plats mal insérés: Un des câbles qui relie le panneau de verre au panneau d'affichage n'est pas bien relié.	1- Débranchez l'appareil, vérifiez la connexion des 2 câbles plats (J1 et J2 sur le panneau d'affichage). Vérifiez également que P10 du panneau d'affichage est relié à P2 du panneau d'alimentation électrique. 2- Si les raccordements sont bons mais le problème persiste remplacez le panneau d'affichage et/ou le panneau de commande.
F20	Problème de communication entre le panneau d'affichage et le panneau de relais.	1- Appuyez sur la touche Cancel. 2- Vérifiez le raccordement entre P7 du panneau d'affichage et du P3 du panneau de relais. 3- Si le problème persiste remplacez le panneau de relais et/ou le panneau d'affichage.
F30 & 31	Problème avec le filage de sonde/filage ouvert (F30) ou Court-circuit (F31) RTD problème sonde/filage. Note: La commande de four affichera initialement le code "F1", cela signifie qu'il détecte l'existence d'une condition d'emballlement.	1- Appuyez sur la touche Cancel. 2- Vérifiez le filage du circuit de la sonde, il est peut-être ouvert ou coupé. Vérifiez la résistance RTD à la température de la pièce (comparez les données au tableau). Si celle-ci ne concorde pas, remplacez sonde (RTD). Laissez refroidir le four et redémarrez la fonction. 3- Si le problème persiste remplacez le panneau de relais.
F90 à 94	Système de verrouillage de porte défectueux. F90: le temps maximum de déverrouillage est excédé F91: les tentatives d'ouverture de la porte maximum excédées F92: le temps d'ouverture de la porte maximum excédé F93: le temps de verrouillage maximum excédé F94: Tentatives maximum de verrouillage excédés	1- Appuyez sur la touche Cancel. 2- Si cette étape n'élimine pas le problème, coupez le courant pendant 30 secondes et redémarrez l'appareil. 3- Vérifiez le filage du moteur verrou, de l'interrupteur verrou A et le circuit de l'interrupteur de la porte. 4- Débranchez P4, appliquez du courant (L1) directement au moteur verrou, si le moteur ne fonctionne pas, remplacez l'assemblage. Rebranchez P4. 5- Vérifiez si l'interrupteur verrou A fonctionne adéquatement (Est-ce qu'il permet d'ouvrir et de fermer, vérifiez avec un ohm mètre). Le moteur verrou doit être réactivé tel qu'indiqué à l'étape précédente afin que l'interrupteur s'ouvre et se ferme. Si l'interrupteur verrou est défectueux, remplacez-le. 6- Si toutes les étapes mentionnées ci haut échouaient, remplacez le panneau de relais.

RTD TABLEAU		
Temp. °F	Temp. °C	Resistance (ohms)
32 ± 1.9	0.0 ± 1.1	1000 ± 4.0
75 ± 2.5	23.9 ± 1.4	1091 ± 5.3
200 ± 3.8	93.3 ± 2.1	1135 ± 7.8
350 ± 5.4	176.7 ± 3.0	1654 ± 10.8
450 ± 6.9	232.2 ± 3.8	1852 ± 13.5
550 ± 8.2	287.8 ± 4.6	2047 ± 15.8
650 ± 9.6	343.3 ± 5.3	2237 ± 18.5
900 ± 13.6	482.8 ± 7.6	2697 ± 24.4

CARACTÉRISTIQUES ÉLECTRIQUES			
Puissance en Kw 240/208 V	Voir la plaque série	Élément cuisson Watts	3400W/2552W
Élément grill Watts	4000W/3004W	Élément conv. Watts	2500W/1879W



	ELEMENTS			Ven. Conv. P202-4	Lum. P202-3	Moteur Verrou P202-5	Interrupteur de loquet		Soufflerie		Int. Porte P201-7 & P201-3	Détecteur des supports des tablettes P201-7 & P201-4
	Cuisson P16	Gril P14	Conv. P17				P201-7 & P201-1	A P201-7 & P201-2	Basse vitesse P202-7	Haute vitesse P202-6		
Cuisson	X	X*							X			
Gril		X							X			
Convection	X		X	X					X			
Rôtissage Conv.	X	X*		X					X			
Nettoyage	X	X*							X	X		X
Verrouillage						X	NC	NO				
Verrouillé							NO	NC				
Déverrouillage						X	NO	NC				
Déverrouillé							NC	NO				
Lumière					X							
Porte Ouverte					X						X	
Porte Fermée												

* Dénote l'assistance des éléments chauffants

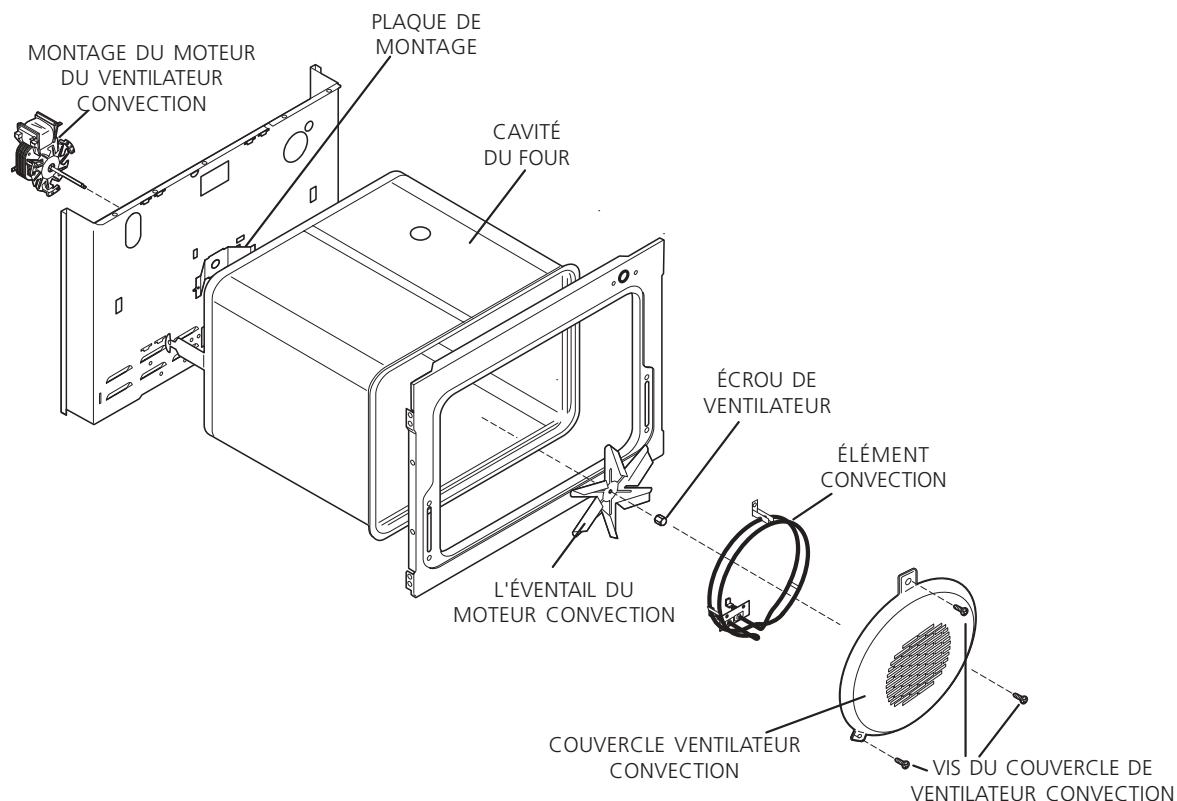
■ Le relais sera en opération dans ces conditions seulement.

	ELEMENTS			Ven. Conv. P802-4	Lum. P802-3	Moteur Verrou P802-5	Interrupteur de loquet		Soufflerie		Int. Porte P801-7 & P801-3	Détecteur des supports des tablettes P801-7 & P801-4
	Cuisson P12	Gril P11	Conv. P13				P801-7 & P801-1	A P801-7 & P801-2	Basse vitesse P802-7	Haute vitesse P802-6		
Cuisson	X	X*							X			
Gril		X							X			
Convection	X		X	X					X			
Rôtissage Conv.	X	X*		X					X			
Nettoyage	X	X*							X	X		X
Verrouillage						X	NC	NO				
Verrouillé							NO	NC				
Déverrouillage						X	NO	NC				
Déverrouillé							NC	NO				
Lumière					X							
Porte Ouverte					X						X	
Porte Fermée												

* Dénote l'assistance des éléments chauffants

■ Le relais sera en opération dans ces conditions seulement.

VUE EXPLOSÉE DU SYSTÈME PAR CONVECTION



PALES DU VENTILATEUR

L'éventail du ventilateur est monté à l'arrière du four et est pourvu d'un orifice en forme de D. Il n'existe qu'un minimum de dégagement entre l'arrière du four, l'éventail du ventilateur, et le diffuseur du ventilateur. Veillez à ne pas recourber les pales de l'éventail lors d'un démontage ou d'un montage.

Vous pouvez avoir accès à l'éventail du ventilateur en enlevant le diffuseur du ventilateur retenu par trois vis à l'intérieur du four.

L'éventail du ventilateur est retenu par un écrou hexagonal ayant un filetage dans le sens inverse des aiguilles d'une montre. Lorsque vous enlevez cet écrou, retenez avec soin l'éventail du ventilateur puis tournez dans le sens des aiguilles d'une montre. Si l'une des pales se déforme, vous pouvez la redresser sur une surface plane.

Une bague plate est située sur l'arbre du moteur entre l'anneau élastique de l'arbre et l'éventail du ventilateur.

NOTE: Si l'éventail du ventilateur est recourbé et que les vibrations du moteur augmentent, le bruit provenant du ventilateur augmentera également.

PLAQUE DE MONTAGE DU FOUR

Le moteur du ventilateur situé à l'arrière de l'unité est fixé à la paroi arrière principale avec trois vis. Il y a une plaque de montage retenue entre la paroi arrière principale (avec 2 vis) et la paroi arrière de la cavité (avec 2 vis). S'il s'avère nécessaire de remplacer la cavité du four, vous devez enlever les deux vis situées à l'intérieur de l'unité de la cavité de four.

MOTEUR DU VENTILATEUR

Le moteur du ventilateur est situé à l'extérieur de la paroi arrière du four. C'est un moteur alimenté à 120 volts.

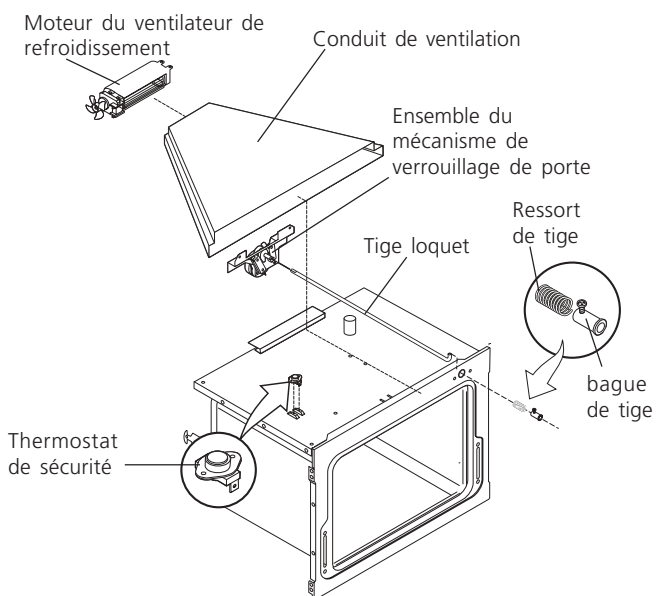
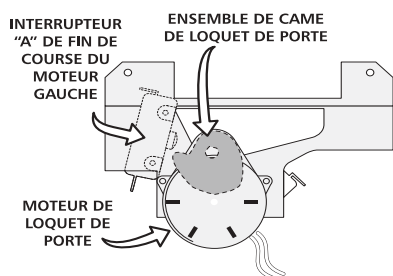
RELAIS DU VENTILATEUR

Le moteur du ventilateur fonctionne sans arrêt en mode cuisson par convection à moins que la porte soit ouverte. Si le ventilateur ne fonctionne pas, faites les vérifications suivantes:

- Le symbole du ventilateur sur la commande électronique.
- Tension de sortie entre les bornes F.du haut P202-4, F.du bas P802-4 et neutre (120v).
- Tension de 120 Volts disponible au moteur du ventilateur.
- Résistance du bobinage du moteur du ventilateur 15 ohms \pm 10%.
- Interrupteur porte/lumière.

MÉCANISME DE VERROUILLAGE DE PORTE

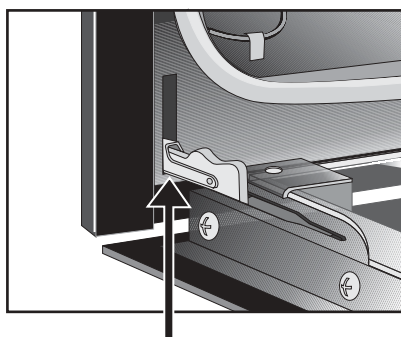
L'appareil est équipé d'une commande de four électronique et possède un loquet d'auto verrouillage de porte. Lorsque le cycle auto nettoyant est programmé, la porte est verrouillée par un système de loquet motorisé. Il n'est pas nécessaire que le four atteigne une température de 520°F pour que la porte se verrouille. Cependant, jusqu'à ce que la température du four atteigne 520°F, le programme d'auto nettoyage peut être annulé et la porte se déverrouillera immédiatement. Lorsque le four a atteint des températures supérieures à 520°F, la porte ne se déverrouille pas avant que la température baisse sous 490°F.



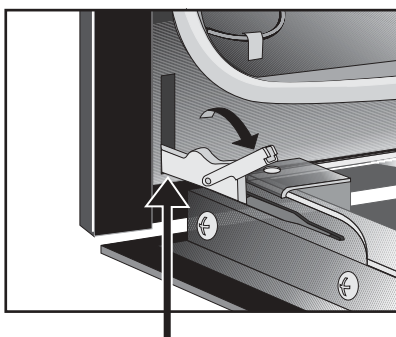
PORTE DU FOUR

Pour enlever et réinstaller la porte du four

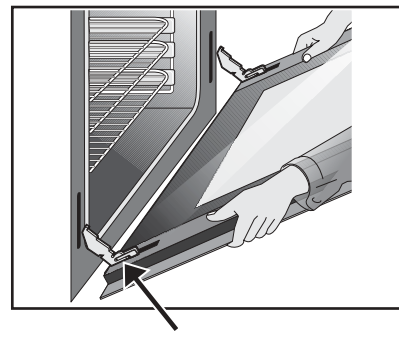
1. Ouvre la porte à son maximum.
2. Tirez vers le haut les verrous situés sur chaque charnière. Vous devrez peut-être mettre un petite pression lorsque vous tirerez le loquet vers le haut.
3. Tenez la porte par les côtés, tirez la partie inférieure de la porte vers le haut et dans votre direction pour dégager les leviers des charnières
4. Pour remonter, répétez les opérations dans l'ordre inverse. Assurez-vous que les supports de charnières sont entièrement engagés avant de déverrouiller les leviers des charnières.



Verrou en position normale



Verrou engagé pour démonter la porte



Dégagez la porte de la fente de charnière

