



66126277/82154247



PORTABLE AIR CONDITIONER

Use & Care Guide

For questions about features, operation/performance, parts, accessories or service call: **1-800-253-1301**

or visit our website at... www.whirlpool.com

In Canada, call for assistance, installation and service, call: **1-800-807-6777**

or visit our website at... www.whirlpool.ca

ACONDICIONADOR DE AIRE PORTÁTIL

Manual de uso y cuidado

Si tiene preguntas respecto a las características, funcionamiento, rendimiento, partes, accesorios o servicio técnico, llame al: **1-800-253-1301**

o visite nuestro sitio web en... www.whirlpool.com

CLIMATISEUR PORTATIF

Guide d'utilisation et d'entretien

Au Canada, pour assistance, installation ou service, composez le **1-800-807-6777**

ou visitez notre site web à... www.whirlpool.ca

Table of Contents/Índice/Table des matières 2

TABLE OF CONTENTS

AIR CONDITIONER SAFETY	3	Normal Sounds.....	12
INSTALLATION REQUIREMENTS	4	PORTABLE AIR CONDITIONER CARE	12
Parts	4	Draining the Air Conditioner	12
Location Requirements	4	Cleaning the Air Filter	12
Electrical Requirements	5	Cleaning the Outside.....	13
INSTALLATION INSTRUCTIONS	6	Storing After Use	13
Unpack the Air Conditioner.....	6	TROUBLESHOOTING	13
Install Portable Air Conditioner	6	ASSISTANCE OR SERVICE	14
PORTABLE AIR CONDITIONER USE	8	In the U.S.A.	14
Starting Your Portable Air Conditioner	8	In Canada	14
Using the Remote Control	10	WARRANTY	15

ÍNDICE

SEGURIDAD DEL ACONDICIONADOR DE AIRE	16	Sonidos normales.....	25
REQUISITOS DE INSTALACIÓN	17	CÓMO CUIDAR SU ACONDICIONADOR DE AIRE PORTÁTIL	26
Piezas	17	Desagüe del acondicionador de aire	26
Requisitos de ubicación.....	17	Limpeza del filtro de aire	26
Requisitos eléctricos.....	18	Limpeza del exterior	26
INSTRUCCIONES DE INSTALACIÓN	19	Almacenamiento después del uso.....	26
Desempaque el acondicionador de aire.....	19	SOLUCIÓN DE PROBLEMAS	27
Instalación del acondicionador de aire portátil.....	19	AYUDA O SERVICIO TÉCNICO	28
CÓMO USAR SU ACONDICIONADOR DE AIRE PORTÁTIL	21	En los EE.UU.	28
Cómo poner en marcha su acondicionador de aire portátil	21	GARANTÍA	29
Cómo usar el control remoto	23		

TABLE DES MATIÈRES

SÉCURITÉ DU CLIMATISEUR	30	Sons normaux	39
EXIGENCES D'INSTALLATION	31	ENTRETIEN DU CLIMATISEUR PORTATIF	40
Pièces	31	Vidange du climatiseur.....	40
Exigences d'emplacement.....	31	Nettoyage du filtre à air	40
Spécifications électriques	32	Nettoyage de la partie extérieure.....	40
INSTRUCTIONS D'INSTALLATION	33	Remisage après utilisation	40
Déballage du climatiseur.....	33	DÉPANNAGE	41
Installation du climatiseur portatif	33	ASSISTANCE OU SERVICE	42
UTILISATION DU CLIMATISEUR PORTATIF	35	Aux États-Unis.....	42
Mise en marche du climatiseur portatif	35	Au Canada	42
Utilisation de la télécommande.....	37	GARANTIE	43

AIR CONDITIONER SAFETY

Your safety and the safety of others are very important.

We have provided many important safety messages in this manual and on your appliance. Always read and obey all safety messages.



This is the safety alert symbol.

This symbol alerts you to potential hazards that can kill or hurt you and others.

All safety messages will follow the safety alert symbol and either the word "DANGER" or "WARNING."

These words mean:

⚠ DANGER

You can be killed or seriously injured if you don't immediately follow instructions.

⚠ WARNING

You can be killed or seriously injured if you don't follow instructions.

All safety messages will tell you what the potential hazard is, tell you how to reduce the chance of injury, and tell you what can happen if the instructions are not followed.

IMPORTANT SAFETY INSTRUCTIONS

WARNING: To reduce the risk of fire, electrical shock or injury when using your air conditioner, follow these basic precautions:

- Plug into a grounded 3 prong outlet.
- Do not use an extension cord.
- Do not remove ground prong.
- Unplug air conditioner before servicing.
- Do not use an adapter.
- Use two or more people to move and install air conditioner.

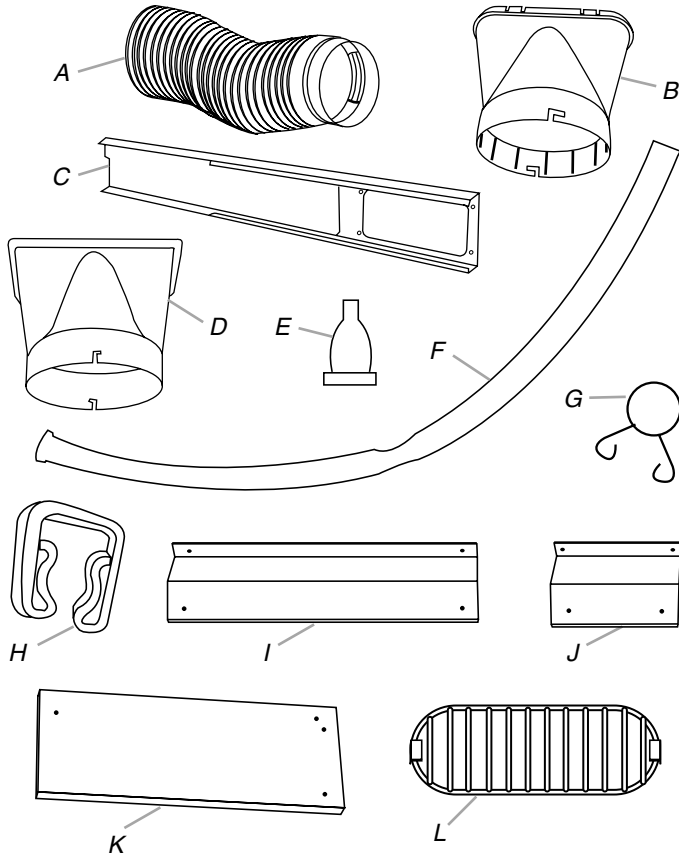
SAVE THESE INSTRUCTIONS

INSTALLATION REQUIREMENTS

Parts

Parts supplied

Check that all parts are included in parts package.

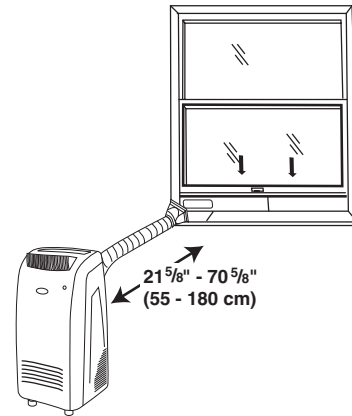


- | | |
|---------------------------|----------------------------------|
| A. Flexible exhaust hose | G. Drain hose clamp (2) |
| B. Window exhaust adapter | H. Drain hose clip |
| C. Window slider kit (3) | I. Vertical rain cover bracket |
| D. Exhaust adapter | J. Horizontal rain cover bracket |
| E. Drain hose plug | K. Rain cover |
| F. Drain hose | L. Outlet grille |

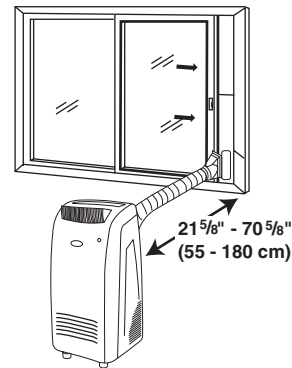
Location Requirements

- The flexible exhaust hose allows placement of the air conditioner between 21 $\frac{5}{8}$ " and 70 $\frac{5}{8}$ " (55 cm and 180 cm) from window or door.
- Portable air conditioners are designed as supplemental heating and cooling to local areas within a room.

Vertical Slide Window



Horizontal Slide Window



- To ensure proper ventilation, keep the required distance from the return air outlet to the wall or other obstacles at least 21 $\frac{5}{8}$ " (55 cm).
- Do not block air outlet.
- Provide easy access to grounded 3 prong outlet.

Electrical Requirements

⚠ WARNING



Electrical Shock Hazard

Plug into a grounded 3 prong outlet.

Do not remove ground prong.

Do not use an adapter.

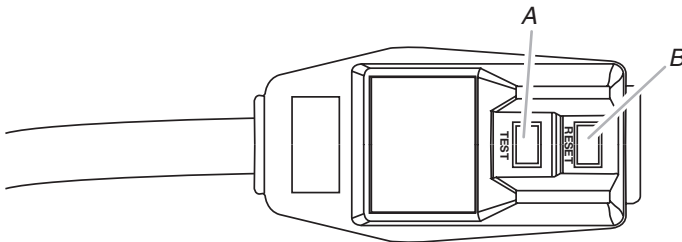
Do not use an extension cord.

Failure to follow these instructions can result in death, fire, or electrical shock.

- The portable air conditioner should be connected to a 115 V, 60 Hz, 15- or 20-amp fused grounded 3 prong outlet.
- The use of a time-delay fuse or time-delay circuit breaker is recommended.
- All wiring must comply with local and national electrical codes and be installed by a qualified electrician. If you have any questions, contact a qualified electrician.

Power Supply Cord

NOTE: Your unit's device may differ from the one shown.



A. Test button
B. Reset button

This room air conditioner is equipped with a power supply cord required by UL. This power supply cord contains state-of-the-art electronics that sense leakage current. If the cord is crushed, the electronics detect leakage current and power will be disconnected in a fraction of a second.

⚠ WARNING



Electrical Shock Hazard

Plug into a grounded 3 prong outlet.

Do not remove ground prong.

Do not use an adapter.

Do not use an extension cord.

Failure to follow these instructions can result in death, fire, or electrical shock.

To test your power supply cord:

1. Plug power supply cord into a grounded 3 prong outlet.
2. Press RESET.
3. Press TEST (listen for click; Reset button will trip and pop out).
4. Press and release RESET (listen for click; Reset button will latch and remain in). The power supply cord is ready for operation.

NOTES:

- The Reset button must be pushed in for proper operation.
- The power supply cord must be replaced if it fails to trip when the test button is pressed or fails to reset.
- Do not use the power supply cord as an off/on switch. The power supply cord is designed as a protective device.
- A damaged power supply cord must be replaced with a new power supply cord obtained from the product manufacturer and must not be repaired.
- The power supply cord contains no user serviceable parts. Opening the tamper-resistant case voids all warranty and performance claims.

INSTALLATION INSTRUCTIONS

Unpack the Air Conditioner

! WARNING

Excessive Weight Hazard

Use two or more people to move and install air conditioner.

Failure to do so can result in back or other injury.

Remove packaging materials

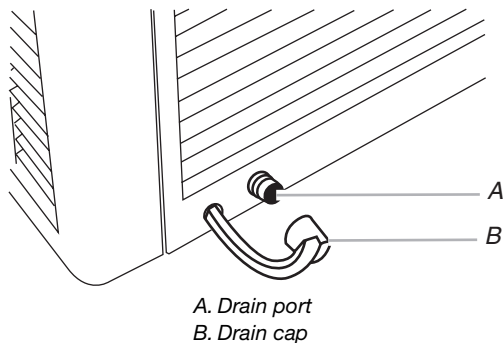
- Remove and dispose of/recycle packaging materials. Remove tape and glue residue from surfaces before turning on the air conditioner. Rub a small amount of liquid dish soap over the adhesive with your fingers. Wipe with warm water and dry.
- Do not use sharp instruments, rubbing alcohol, flammable fluids, or abrasive cleaners to remove tape or glue. These products can damage the surface of your air conditioner.

Install Portable Air Conditioner

Install Drain Hose

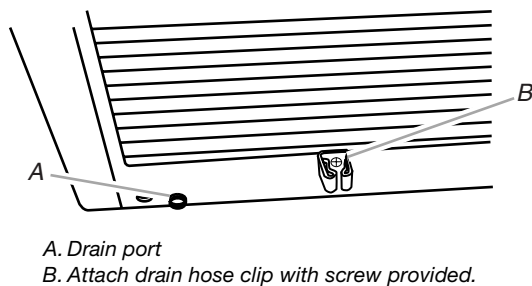
1. Remove drain cap from drain port.

Drain Cap



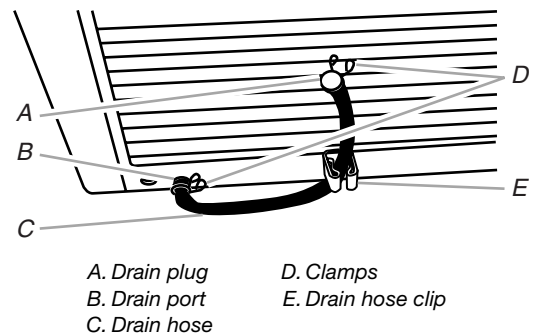
2. Attach one end of the drain hose to the drain port with the clamp. See Drain Hose graphic.
3. Insert the drain plug into the other end of the drain hose and secure with clamp. See Drain Hose graphic.
4. Attach the drain hose clip to the back panel of the air conditioner near the drain port with the screw provided.

Drain Hose Clip



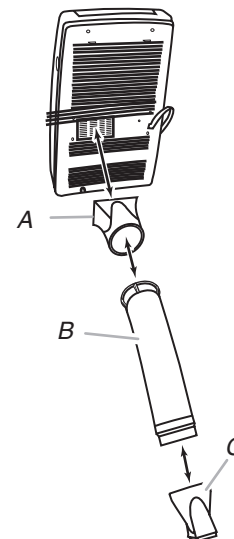
5. Snap the free end of the drain hose into the drain hose clip.

Drain Hose



Install Exhaust Hose and Adapter

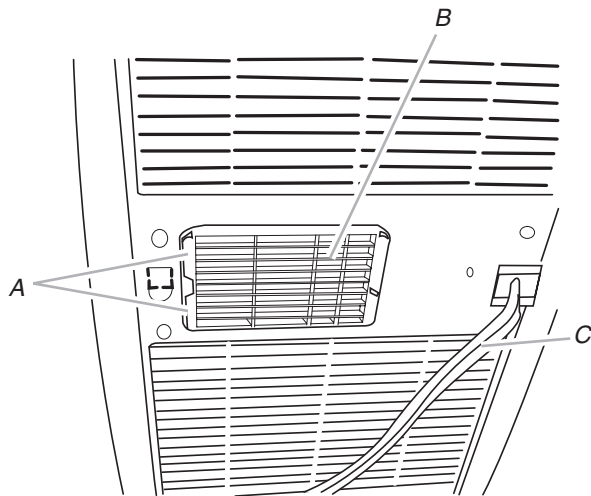
1. Roll air conditioner to its selected location. See "Location Requirements."
2. Insert one end of the flexible exhaust hose into the exhaust adapter.
3. Twist clockwise to lock hose into place.
4. Insert the other end of the flexible exhaust hose into the window exhaust adapter.
5. Twist clockwise to lock hose into place.



A. Exhaust adapter
B. Flexible exhaust hose

C. Window exhaust adapter

- Slide the exhaust adapter with flexible exhaust hose attached into the slots on each side of the appliance exhaust.

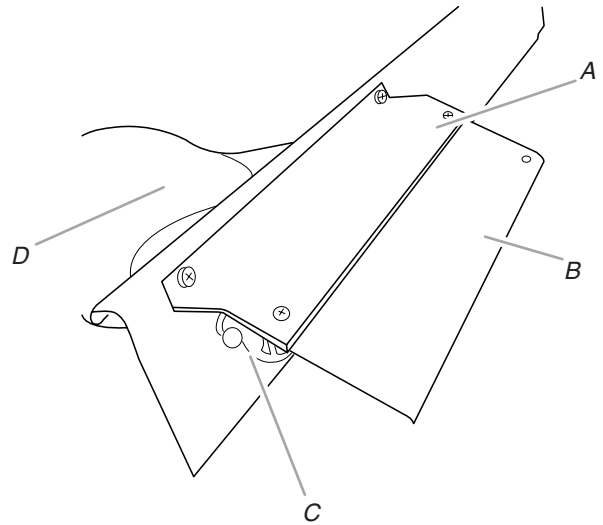


A. Slot for mounting exhaust adapter C. Power cord
B. Appliance exhaust

- Attach the rain cover bracket assembly to the window slider kit with the screws and nuts provided.

NOTE: The holes in the window slider kit are positioned for attaching either the vertical slide window rain cover bracket or the horizontal slide window rain cover bracket.

Rain Cover Assembly



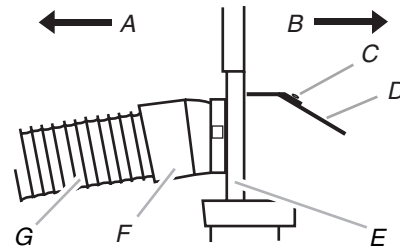
A. Rain cover bracket C. Outlet grille
B. Rain cover D. Window exhaust adapter

Window Installation

Your window slider kit has been designed to fit most standard vertical and horizontal window applications. However, it may be necessary for you to modify some aspects of the installation procedures for certain types of windows.

- Insert the window exhaust adapter into the window slider kit.
- Attach the outlet grille to the window exhaust adapter with the 2 screws provided.
- Attach the rain cover to the horizontal or vertical rain cover bracket (depending on installation) with the screws and nuts provided.

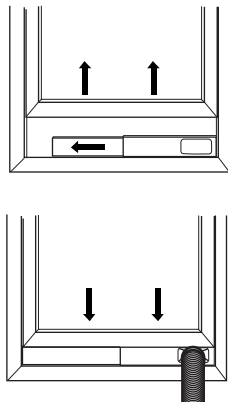
- Open the window.
- Place the window slider kit into the window, extending it to fit the width of the window. Be sure the rain cover bracket assembly is on the outside of the window.



A. To air conditioner E. Window slider kit
B. Outdoors F. Window exhaust adapter
C. Screw provided G. Flexible exhaust hose
D. Rain cover bracket assembly

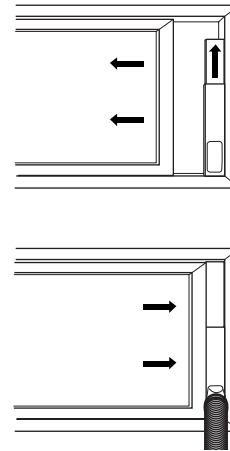
- Close the window onto the window slider kit to secure.

Vertical Slide Window



Horizontal Slide Window

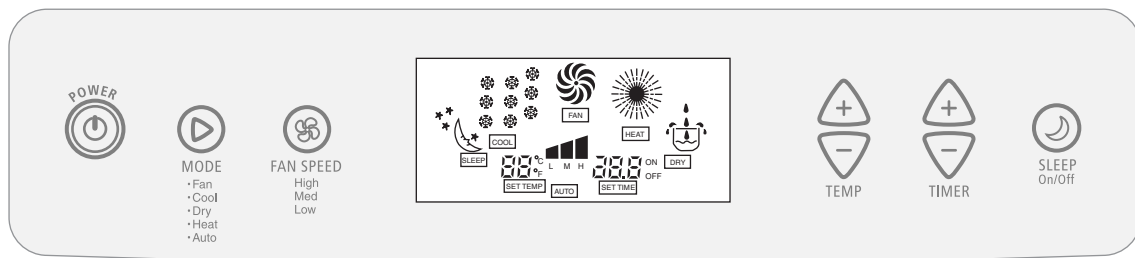
For casement window installation, the window slider kit may be installed vertically with the window slider kit opening at the bottom.



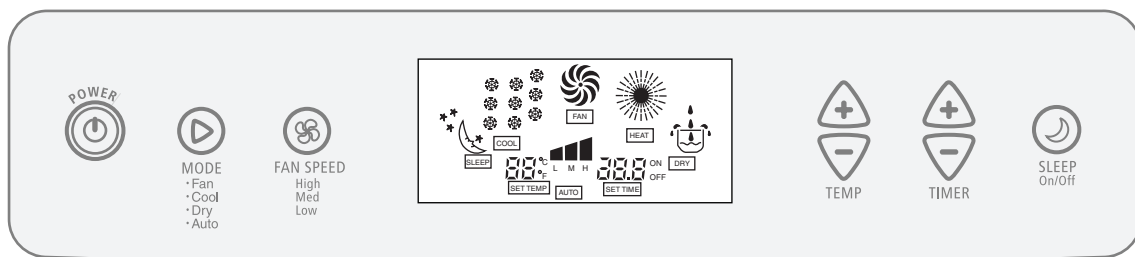
PORTABLE AIR CONDITIONER USE

Starting Your Portable Air Conditioner

Models with Heat



Models without Heat



NOTES:

- In the event of a power failure, your air conditioner will operate at the previous settings when the power is restored.
- When changing modes while air conditioner is operating, the fan will run for 3 to 5 minutes before restarting. If a button is pressed during this time, the fan will run for another 3 to 5 minutes.
- In Cool or Dry mode, the compressor and fan will stop when room temperature reaches set temperature.

Mode

Press MODE to choose Fan, Cool, Dry, Heat (heating models only) or Auto.



MODE

Fan Only Mode

Serves only to move air. Fan speed is set by user.

1. Press POWER to start the air conditioner.



2. Press MODE to choose Fan.

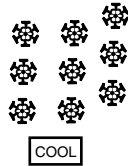


3. Choose fan speed. See “Fan Speed.”

Cool Mode

Cool mode cools the room. Temperature and fan speed are set by the user.

1. Press POWER to start the air conditioner.
2. Press MODE to choose Cool.



3. Choose fan speed. See “Fan Speed.”
4. Choose temperature. See “Temperature.”
5. When “H8” is displayed, the unit water reservoir is full. The air conditioner will turn off automatically. See “Portable Air Conditioner Care” for directions on draining the air conditioner.



Dry Mode

The Dry mode dehumidifies the room. Fan runs on Low only.

1. Press POWER to start the air conditioner.
2. Press MODE to choose Dry.



3. When “H8” is displayed, the unit water reservoir is full. The air conditioner will turn off automatically. See “Portable Air Conditioner Care” for directions on draining the air conditioner.

Heat Mode (Heating Models Only)

Heat mode heats the room. Temperature and fan speed are set by user.

1. Press POWER to start the air conditioner.
2. Press MODE to choose Heat.



3. Choose fan speed. See “Fan Speed.”
4. Choose temperature. See “Temperature.”

Auto Mode (Cooling Only)

Auto mode cools the room by varying fan speeds and turning compressor on and off.

NOTE: The temperature and fan speed cannot be set when using Auto mode.

1. Press POWER to start the air conditioner.
2. Press MODE to choose Auto.



Fan Speed

1. Press FAN to set the fan speed.
2. Choose High, Med or Low.
 - High—Maximum airflow
 - Med—Intermediate airflow
 - Low—Minimum airflow



Temperature

1. Press the TEMP plus button to increase the temperature 1°.
2. Press the TEMP minus button to decrease the temperature 1°.



NOTES:

- In the Cool mode, the temperature can be set between 61°F (16°C) and 86°F (30°C).
- In Fan Only mode, the temperature cannot be set.
- The temperature display cannot be changed to Celsius (°C).

Timer Delay

To set the Timer for a 1- to 24-hour delay until the air conditioner turns off (the air conditioner must be On):

1. Press the TIMER plus button. Display will show remaining hours before air conditioner will turn off.



2. Press the plus or minus button to adjust the delay time (1 to 24 hours).
3. To turn off the Timer, press the plus or minus button until no delay time appears in the display.

To set the Timer to turn on the air conditioner, keeping previous settings:

1. Turn off air conditioner.
2. Press the TIMER plus button. Display will show remaining hours before air conditioner will turn on.
3. Press the plus or minus button to change delay time (1 to 24 hours).
4. To turn off the Timer, press the plus or minus button until no delay time appears in the display.

To set the Timer to turn on the air conditioner, changing the previous settings:

1. Turn on air conditioner.
2. Adjust Mode to Fan, Cool, Heat (heating models only) or Auto.
NOTE: The temperature and fan speed cannot be set when using Auto mode.
3. Adjust Fan Speed to High, Med or Low.
4. Adjust temperature between 64°F (18°C) and 86°F (30°C).
5. Wait 3 seconds before turning off air conditioner.
6. Press the TIMER plus button. Display will show remaining hours before air conditioner will turn on.
7. Press the plus or minus button to change delay time (1 to 24 hours).
8. To turn off the Timer, press the plus or minus button until no delay time appears in the display.

To clear Timer delay program:

NOTE: Air conditioner can be either on or off.

Press the plus or minus button until no delay time appears in the display.

To see or change the delay time (in hours):

- The remaining time will display as long as the Timer is activated.
- Press the plus or minus button to increase or decrease the time.

Sleep Mode

When Sleep mode is activated, the set temperature will automatically increase at intervals until the timer turns off the Sleep mode.

1. Press POWER to start the air conditioner.
2. Press MODE to choose Cool or Heat (heating models only).

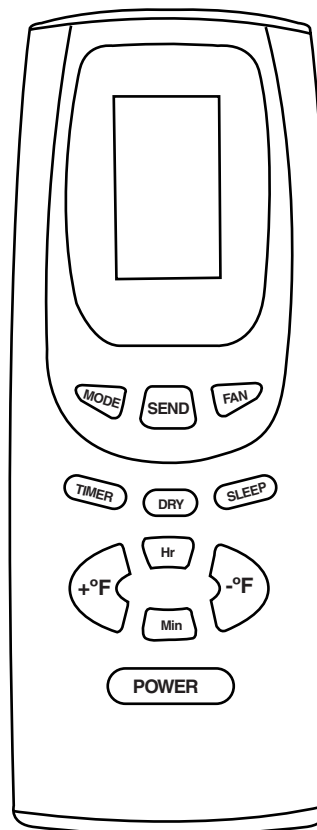
3. Press SLEEP.
4. Press the Timer plus or minus button to change delay time (0.5 to 24 hours).



5. To cancel the Sleep mode, press SLEEP again.

Using the Remote Control

NOTE: Remote control may vary in appearance



NOTES:

- Two AAA batteries (included) power the remote control. Do not use rechargeable batteries. Replace batteries after 6 months of use, or when the remote control starts to lose power.
- To operate the air conditioner with the remote control, aim the remote control at the signal receptor from no more than 23 ft (7 m) away.

To Turn the Air Conditioner On or Off

Press POWER.



To Select the Mode

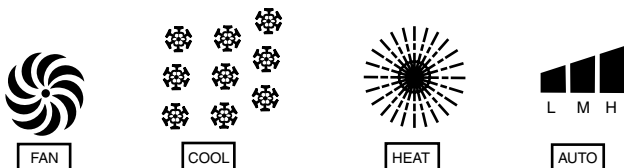
NOTE: To select Dry mode, see “To select the Dry mode” later in this section.

1. Press MODE to choose Fan, Cool, Heat (heating models only) or Auto.



The following symbols will be displayed.

- Fan—Fan mode.
- Snowflake—Cool mode.
- Sun—Heat mode (heating models only).
- Triangle—Auto mode.



2. Press SEND to activate the mode.



3. To adjust the temperature or fan speed, select -°F, +°F or FAN.
4. Press SEND.

To Select Dry Mode

NOTE: The Send button does not have to be pressed to activate the Dry mode.

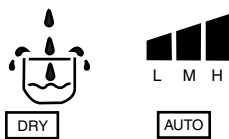
1. Press POWER to start the air conditioner.
2. Press DRY to select the Dry mode.



The following symbols will be displayed.

- Teardrop—Dry mode
- Triangle—Auto mode

NOTE: Pressing DRY again will select the Auto mode.



To Select the Fan Speed (Fan, Cool or Heat [heating models only])

1. Press FAN.
2. Choose High, Med or Low.



3. Press SEND to activate the fan speed.

To Set the Temperature

To raise the temperature:

Press the plus button to increase the temperature 1°.



To lower the temperature:

Press the minus button to decrease the temperature 1°.



NOTE: Press SEND to activate temperature change.

To Set the Time of Day

Time of day is always displayed on the remote control display.

1. Press the Hr button until the correct hour appears on the display.



2. Press the Min button until the correct minutes appear on the display.



To Set the Timer Delay

To set the Timer to turn on the air conditioner, keeping previous settings:

1. Turn off air conditioner.
2. Press TIMER. Remote control display will show remaining hours before air conditioner will turn on.



3. Press the Hr button to change delay time (1 to 18 hours).
4. Press SEND. Remote control display will show remaining hours before air conditioner will turn on.

To set the Timer to turn on the air conditioner, changing the previous settings:

1. Turn on air conditioner.
2. Adjust Mode to Fan, Cool, Dry, Heat (heating models only) or Auto.
3. Press SEND.
4. Adjust Fan Speed to High, Med or Low.
5. Press SEND.
6. Adjust temperature between 64°F (18°C) and 86°F (30°C).
7. Press SEND.
8. Wait 3 seconds before turning off air conditioner.

9. Press **TIMER**. Remote control display will show remaining hours before air conditioner will turn on.
10. Press the **Hr** button to change delay time (1 to 18 hours).
11. Press **SEND**. Remote control display will show remaining hours before air conditioner will turn on.

To clear Timer delay program:

1. Press **TIMER** until the time of day appears in the display.
2. Press **SEND**.

To see or change the remaining time (in hours):

- The delay time will display as long as the Timer is activated.
- Press the **Hr** button to change the time.

To Select Sleep Mode

When Sleep mode is activated, the set temperature will automatically increase at intervals until the timer turns off the Sleep mode.

1. Press **POWER** to start the air conditioner.
2. Press **MODE** to choose Cool or Heat (heating models only).

3. Press **SLEEP**.



4. Press the **Hr** button to change the delay time (1 to 7 hours).
5. Press **SEND**.
6. To cancel the Sleep mode, press **SLEEP** again.

Normal Sounds

When your air conditioner is operating normally, you may hear sounds such as:

- Droplets of water hitting the condenser, causing a pinging or clicking sound. The water droplets help cool the condenser.
- Air movement from the fan.
- Clicks from the thermostat cycle.
- Vibrations or noise due to poor wall or window construction.
- A high-pitched hum or pulsating noise caused by the modern high-efficiency compressor cycling on and off.

PORTABLE AIR CONDITIONER CARE

Draining the Air Conditioner

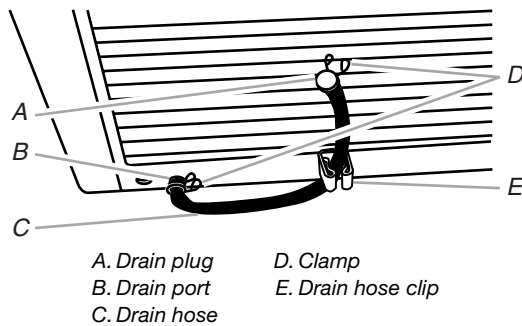
⚠ WARNING

Excessive Weight Hazard

Use two or more people to move and install air conditioner.

Failure to do so can result in back or other injury.

NOTE: When “H8” is displayed, the air conditioner must be drained. The air conditioner will not operate until the water is drained from the unit.

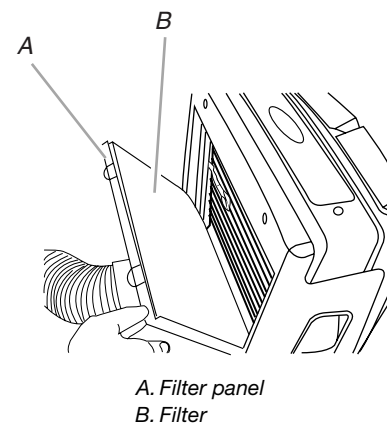


1. Press **POWER** to turn off the air conditioner.
2. Unplug air conditioner or disconnect power.
3. Disconnect the flexible exhaust hose.
4. Move the air conditioner to a drain location or outside.
5. Remove the drain hose from the drain hose clip.
NOTE: If the drain hose was not installed, remove the drain cap from the drain port. See “Install Portable Air Conditioner.”
6. Remove the clamp and drain plug.

7. After draining the reservoir, replace the drain plug and clamp.
8. Snap the drain hose back into the drain hose clip.
9. Reposition air conditioner.
10. Reconnect the flexible exhaust hose.
11. Plug in air conditioner or reconnect power.
12. Press **POWER** to start the air conditioner.

Cleaning the Air Filter

1. Press **POWER** to turn off the air conditioner.
2. Open the filter panel and lift off the filter.



3. Use a vacuum cleaner to clean the filter. If filter is very dirty, wash filter in warm water with a mild detergent.
NOTE: Do not wash filter in the dishwasher or use any chemical cleaners.
4. Air dry filter completely before replacing to ensure maximum efficiency.
5. Place the filter back on the filter panel.
6. Close the filter panel.

Cleaning the Outside

1. Unplug air conditioner or disconnect power.
2. Remove the filter and clean separately. See “Cleaning the Air Filter.”
3. Wipe outside of air conditioner with a soft, damp cloth.
4. Plug in air conditioner or reconnect power.
5. Press POWER to start the air conditioner.

Storing After Use

1. Remove drain plug and drain water completely.
2. Run air conditioner with fan only for approximately 12 hours to dry the air conditioner.
3. Unplug air conditioner.
4. Remove flexible exhaust hose and store with air conditioner in a clean, dry area. See “Installation Instructions.”
5. Remove window kit and store with air conditioner in a clean, dry area. See “Installation Instructions.”
6. Remove the filter and clean. See “Cleaning the Air Filter.”
7. Clean the outside of air conditioner. See “Cleaning the Outside.”
8. Reinstall filter.
9. Remove the batteries and store the remote control with air conditioner in a clean, dry area.

TROUBLESHOOTING

Before calling for service, try the suggestions below to see whether you can solve your problem without outside help.

Air conditioner will not operate

⚠ WARNING



Electrical Shock Hazard

Plug into a grounded 3 prong outlet.

Do not remove ground prong.

Do not use an adapter.

Do not use an extension cord.

Failure to follow these instructions can result in death, fire, or electrical shock.

- **The power supply cord is unplugged.** Plug into a grounded 3 prong outlet. See “Electrical Requirements.”
- **Time-delay fuse or circuit breaker of the wrong capacity is being used.** Replace with a time-delay fuse or circuit breaker of the correct capacity. See “Electrical Requirements.”
- **The power supply cord has tripped (Reset button has popped out).** Press and release RESET (listen for click; Reset button will latch and remain in) to resume operation.
- **A household fuse has blown, or a circuit breaker has tripped.** Replace the fuse, or reset the circuit breaker. See “Electrical Requirements.”
- **The Power button has not been pressed.** Press POWER.
- **The local power has failed.** Wait for power to be restored.

Air conditioner blows fuses or trips circuit breakers

- **Too many appliances are being used on the same circuit.** Unplug or relocate appliances that share the same circuit.
- **You are trying to restart the air conditioner too soon after turning off air conditioner.** Wait at least 3 minutes after turning off air conditioner before trying to restart the air conditioner.
- **You have changed modes.** Wait at least 3 minutes after turning off air conditioner before trying to restart the air conditioner.

Air conditioner power supply cord trips (Reset button pops out)

- **Disturbances in your electrical current can trip (Reset button will pop out) the power supply cord.** Press and release RESET (listen for click; Reset button will latch and remain in) to resume operation.
- **Electrical overloading, overheating, cord pinching or aging can trip (Reset button will pop out) the power supply cord.** After correcting the problem, press and release RESET (listen for click; Reset button will latch and remain in) to resume operation. If the power cord fails to reset, contact a service technician.

NOTE: A damaged power supply cord must be replaced with a new power supply cord obtained from the product manufacturer and must not be repaired.

Air conditioner seems to run too much

- **Is there a door or window open?** Keep doors and windows closed.
- **The current air conditioner replaced an older model.** The use of more efficient components may cause the air conditioner to run longer than an older model, but the total energy consumption will be less. Newer air conditioners do not emit the “blast” of cold air you may be accustomed to from older units, but this is not an indication of lesser cooling capacity or efficiency. Refer to the efficiency rating (EER) and capacity rating (in Btu/h) marked on the air conditioner.

- **The air conditioner is in a heavily occupied room, or heat-producing appliances are in use in the room.** Use exhaust vent fans while cooking or bathing and try not to use heat-producing appliances during the hottest part of the day. Portable air conditioners are designed as supplemental cooling to local areas within a room. A higher capacity air conditioner may be required, depending on the size of the room being cooled.

Air conditioner runs for a short time only, but room is not cool

- **Set temperature is close to room temperature.** Lower set temperature. See “Portable Air Conditioner Use.”

Air conditioner runs, but does not cool

- **The filter is dirty or obstructed by debris.** Clean the filter.

- **Air outlet is blocked.** Clear air outlet.
- **Set temperature is too high.** Lower set temperature.

Air conditioner cycles on and off too much

- **The air conditioner is not properly sized for your room.** Check the cooling capabilities of your portable air conditioner. Portable air conditioners are designed as supplemental cooling to local areas within a room.
- **The filter is dirty or obstructed by debris.** Clean the filter.
- **There is excessive heat or moisture (open container cooking, showers, etc.) in the room.** Use a fan to exhaust heat or moisture from the room. Try not to use heat-producing appliances during the hottest part of the day.
- **The louvers are blocked.** Install the air conditioner in a location where the louvers are free from curtains, blinds, furniture, etc.
- **The outside temperature is below 64°F (18°C).** Do not try to operate your air conditioner in the cooling mode when the outside temperature is below 64°F (18°C).

ASSISTANCE OR SERVICE

Before calling for assistance or service, please check “Troubleshooting.” It may save you the cost of a service call. If you still need help, follow the instructions below.

When calling, please know the purchase date and the complete model and serial number of your appliance. This information will help us to better respond to your request.

If you need replacement parts

If you need to order replacement parts, we recommend that you use only FSP® replacement parts. FSP® replacement parts will fit right and work right because they are made with the same precision used to build every new WHIRLPOOL® appliance.

To locate FSP® replacement parts in your area, call us or your nearest Whirlpool designated service center.

In the U.S.A.

Call the Whirlpool Customer eXperience Center toll free: **1-800-253-1301** or visit our website at **www.whirlpool.com**.

Our consultants provide assistance with:

- Features and specifications on our full line of appliances.
- Installation information.
- Use and maintenance procedures.
- Accessory and repair parts sales.
- Specialized customer assistance (Spanish speaking, hearing impaired, limited vision, etc.).
- Referrals to local dealers, repair parts distributors, and service companies. Whirlpool designated service technicians

are trained to fulfill the product warranty and provide after-warranty service, anywhere in the United States.

To locate the Whirlpool designated service company in your area, you can also look in your telephone directory Yellow Pages.

For further assistance

If you need further assistance, you can write to Whirlpool Corporation with any questions or concerns at:

Whirlpool Brand Home Appliances
Customer eXperience Center
553 Benson Road
Benton Harbor, MI 49022-2692

Please include a daytime phone number in your correspondence.

In Canada

Call the Whirlpool Canada LP Customer Interaction Centre toll free: **1-800-807-6777**, or visit our website at **www.whirlpool.ca**.

Our consultants provide assistance with:

- Features and specifications on our full line of appliances.
- Use and maintenance procedures.
- Accessory and repair parts sales.
- Referrals to local dealers, repair parts distributors, and service companies. Whirlpool Canada LP designated service technicians are trained to fulfill the product warranty and provide after-warranty service, anywhere in Canada.

For further assistance

If you need further assistance, you can write to Whirlpool Canada LP with any questions or concerns at:

Customer Interaction Centre
Whirlpool Canada LP
1901 Minnesota Court
Mississauga, Ontario L5N 3A7

Please include a daytime phone number in your correspondence.

WHIRLPOOL CORPORATION APPLIANCE WARRANTY

ONE YEAR LIMITED WARRANTY

For one year from the date of purchase, when this product is operated and maintained according to instructions attached to or furnished with the product, Whirlpool Corporation or Whirlpool Canada LP (hereafter "Whirlpool") will pay for FSP replacement parts and repair labor to correct defects in materials or workmanship or replace the product at our discretion. Service must be provided by a Whirlpool designated service company. This warranty does not cover the air filter.

FIVE YEAR LIMITED WARRANTY ON THE SEALED SYSTEM

For five years from the date of purchase, when this product is operated and maintained according to instructions attached to or furnished with the product, Whirlpool Corporation or Whirlpool Canada LP (hereafter "Whirlpool") will pay for FSP replacement parts and repair labor to correct defects in materials or workmanship in the sealed refrigeration system, including the compressor, evaporator, condenser, drier-strainer and connecting tubing or replace the product at our discretion. Service must be provided by a Whirlpool designated service company.

ITEMS WHIRLPOOL WILL NOT PAY FOR

1. Service calls to correct the installation of your product, instruct you how to use your product, to replace house fuses or reset circuit breakers, replace or clean filters, or correct house wiring.
 2. Service calls to repair or replace air filters. Those consumable parts are excluded from warranty coverage.
 3. Repairs when your product is used for other than normal, single-family household use.
 4. Damage resulting from accident, alteration, misuse, abuse, fire, flood, acts of God, improper installation, installation not in accordance with electrical or plumbing codes, or use of products not approved by Whirlpool.
 5. Replacement parts or repair labor costs for units operated outside the United States or Canada.
 6. Pickup and delivery. This product is designed to be repaired in the home.
 7. Repairs to parts or systems resulting from unauthorized modifications made to the appliance.
 8. Expenses for travel and transportation for product service in remote locations.
 9. The removal and reinstallation of your appliance if it is installed in an inaccessible location or is not installed in accordance with published installation instructions.
-

DISCLAIMER OF IMPLIED WARRANTIES; LIMITATION OF REMEDIES

CUSTOMER'S SOLE AND EXCLUSIVE REMEDY UNDER THIS LIMITED WARRANTY SHALL BE PRODUCT REPAIR AS PROVIDED HEREIN. IMPLIED WARRANTIES, INCLUDING WARRANTIES OF MERCHANTABILITY OR FITNESS FOR A PARTICULAR PURPOSE, ARE LIMITED TO ONE YEAR OR THE SHORTEST PERIOD ALLOWED BY LAW. WHIRLPOOL SHALL NOT BE LIABLE FOR INCIDENTAL OR CONSEQUENTIAL DAMAGES. SOME STATES AND PROVINCES DO NOT ALLOW THE EXCLUSION OR LIMITATION OF INCIDENTAL OR CONSEQUENTIAL DAMAGES, OR LIMITATIONS ON THE DURATION OF IMPLIED WARRANTIES OF MERCHANTABILITY OR FITNESS, SO THESE EXCLUSIONS OR LIMITATIONS MAY NOT APPLY TO YOU. THIS WARRANTY GIVES YOU SPECIFIC LEGAL RIGHTS AND YOU MAY ALSO HAVE OTHER RIGHTS, WHICH VARY, FROM STATE TO STATE OR PROVINCE TO PROVINCE.

Outside the 50 United States and Canada, this warranty does not apply. Contact your authorized Whirlpool dealer to determine if another warranty applies.

If you need service, first see the "Troubleshooting" section of the Use & Care Guide. After checking "Troubleshooting," additional help can be found by checking the "Assistance or Service" section or by calling Whirlpool. In the U.S.A., call **1-800-253-1301**. In Canada, call **1-800-807-6777**. 9/05

Keep this book and your sales slip together for future reference. You must provide proof of purchase or installation date for in-warranty service.

Write down the following information about your appliance to better help you obtain assistance or service if you ever need it. You will need to know your complete model number and serial number. You can find this information on the model and serial number label located on the product.

Dealer name _____

Address _____

Phone number _____

Model number _____

Serial number _____

Purchase date _____

SEGURIDAD DEL ACONDICIONADOR DE AIRE

Su seguridad y la seguridad de los demás es muy importante.

Hemos incluido muchos mensajes importantes de seguridad en este manual y en su electrodoméstico. Lea y obedezca siempre todos los mensajes de seguridad.



Este es el símbolo de advertencia de seguridad.

Este símbolo le llama la atención sobre peligros potenciales que pueden ocasionar la muerte o una lesión a usted y a los demás.

Todos los mensajes de seguridad irán a continuación del símbolo de advertencia de seguridad y de la palabra "PELIGRO" o "ADVERTENCIA". Estas palabras significan:

⚠ PELIGRO

Si no sigue las instrucciones de inmediato, usted puede morir o sufrir una lesión grave.

⚠ ADVERTENCIA

Si no sigue las instrucciones, usted puede morir o sufrir una lesión grave.

Todos los mensajes de seguridad le dirán el peligro potencial, le dirán cómo reducir las posibilidades de sufrir una lesión y lo que puede suceder si no se siguen las instrucciones.

INSTRUCCIONES IMPORTANTES DE SEGURIDAD

ADVERTENCIA: Para reducir el riesgo de incendio, choque eléctrico o lesiones personales al usar su acondicionador de aire, siga estas precauciones básicas:

- Conecte a un contacto de pared de conexión a tierra de 3 terminales.
- No quite el terminal de conexión a tierra.
- No use un adaptador.
- No use un cable eléctrico de extensión.
- Desconecte el acondicionador de aire antes de darle servicio.
- Use dos o más personas para mover e instalar el acondicionador de aire.

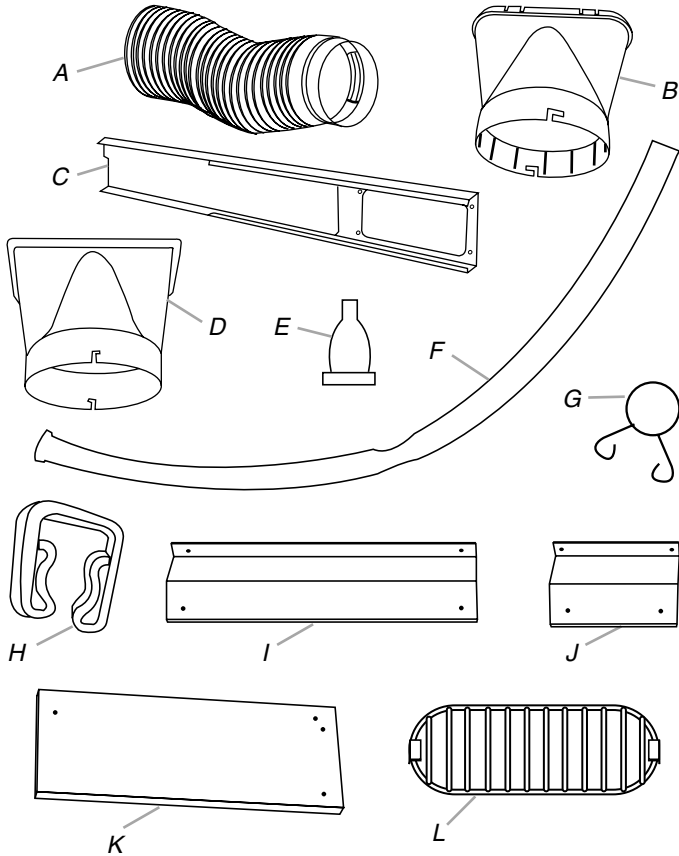
CONSERVE ESTAS INSTRUCCIONES

REQUISITOS DE INSTALACIÓN

Piezas

Piezas proporcionadas

Verifique que estén todas las piezas en el paquete de piezas.



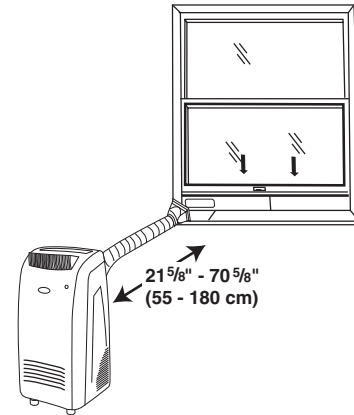
- A. Manguera de escape flexible
- B. Adaptador del escape de la ventana
- C. Juego deslizante para ventana (3)
- D. Adaptador de escape la unidad
- E. Tapón de la manguera de desagüe
- F. Manguera de desagüe

- G. Abrazaderas de la manguera de desagüe (2)
- H. Sujetador de la manguera de desagüe
- I. Soporte vertical para la cubierta contra la lluvia
- J. Soporte horizontal para la cubierta contra la lluvia
- K. Cubierta contra la lluvia
- L. Rejilla de salida

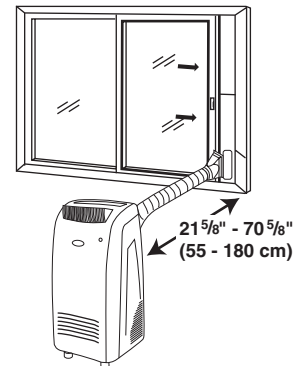
Requisitos de ubicación

- La manguera de escape flexible permite ubicar el acondicionador de aire entre 21⁵/₈" y 70⁵/₈" (55 cm y 180 cm) desde la puerta o ventana.
- Los acondicionadores de aire portátiles están diseñados para proporcionar calefacción y enfriamiento complementario a áreas locales dentro de una habitación.

Ventana deslizante vertical



Ventana deslizante horizontal



- Para asegurar la adecuada ventilación, mantenga una distancia mínima de 21⁵/₈" (55 cm) desde la salida de aire de retorno a la pared u otros obstáculos.
- No bloquee la salida de aire.
- Provea un fácil acceso a un contacto de pared de conexión a tierra de 3 terminales.

⚠ ADVERTENCIA



Peligro de Choque Eléctrico

Conecte a un contacto de pared de conexión a tierra de 3 terminales.

No quite la terminal de conexión a tierra.

No use un adaptador.

No use un cable eléctrico de extensión.

No seguir estas instrucciones puede ocasionar la muerte, incendio o choque eléctrico.

⚠ ADVERTENCIA



Peligro de Choque Eléctrico

Conecte a un contacto de pared de conexión a tierra de 3 terminales.

No quite la terminal de conexión a tierra.

No use un adaptador.

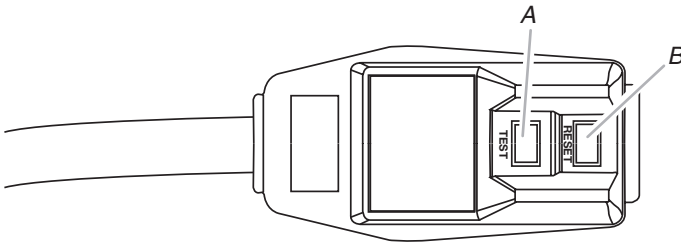
No use un cable eléctrico de extensión.

No seguir estas instrucciones puede ocasionar la muerte, incendio o choque eléctrico.

- El acondicionador de aire portátil deberá conectarse en un contacto de conexión a tierra de 3 terminales, de 115 Voltios, 60 Hz, de 15 ó 20 amperios con fusibles.
- Se recomienda utilizar un fusible o un cortacircuitos retardador.
- Todas las instalaciones eléctricas deberán cumplir con los códigos eléctricos nacionales y locales y deberán ser hechas por un instalador eléctrico calificado. En caso de dudas, póngase en contacto con un electricista calificado.

Cable de suministro de energía

NOTA: Su aparato puede ser diferente del que se ilustra.



A. Botón de prueba
B. Botón de reposición

Este acondicionador de aire para habitación está equipado con un cable de suministro de energía según lo exige UL. Este cable de suministro de energía incluye circuitos electrónicos de última generación que detectan la corriente de fuga. Si se aplasta el cable, el elemento electrónico detecta la corriente de fuga y la energía se desconecta en una fracción de segundo.

Para poner a prueba el cable de suministro de energía:

1. Enchufe el cable de suministro de energía en un tomacorriente de 3 terminales con conexión a tierra.
2. Presione RESET (Reposición).
3. Presione TEST (Prueba) (escuche el chasquido, el botón de reposición se dispara y salta).
4. Presione y suelte RESET (escuche el chasquido, el botón de reposición queda asegurado y se mantiene asegurado). El cable de suministro de energía está listo para su funcionamiento.

NOTAS:

- El botón de reposición debe presionarse para el funcionamiento adecuado.
- El cable de suministro de energía debe ser reemplazado si no se dispara cuando se presione el botón de prueba o cuando falle la reposición.
- No use el cable de suministro de energía como un interruptor de encendido y apagado. El cable de suministro de energía ha sido diseñado como un dispositivo protector.
- Un cable de suministro de energía dañado debe ser reemplazado por un nuevo cable de suministro de energía obtenido del fabricante del producto y no debe ser reparado.
- El cable de suministro de energía no contiene piezas que pueda arreglar el usuario. Todos los reclamos de desempeño y la garantía quedarán anulados si se abre el estuche resistente a alteraciones.

INSTRUCCIONES DE INSTALACIÓN

Desempaque el acondicionador de aire

! ADVERTENCIA

Peligro de Peso Excesivo

Use dos o más personas para mover e instalar el acondicionador de aire.

No seguir esta instrucción puede ocasionar una lesión en la espalda u otro tipo de lesiones.

Quite los materiales de empaque

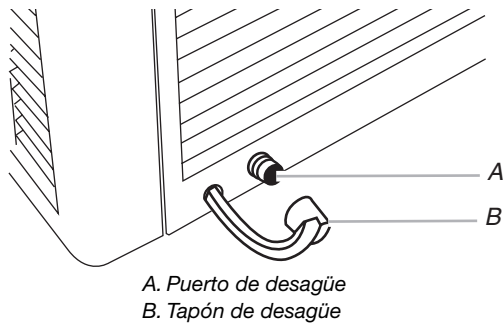
- Quite y deshágase debidamente de todos los materiales de embalaje. Quite las cintas y los residuos de goma del acondicionador de aire antes de encenderlo. Frote un poco de detergente líquido para vajillas sobre el adhesivo con los dedos. Limpie con agua tibia y seque.
- No use instrumentos filosos, alcohol para fricciones, líquidos inflamables o productos de limpieza abrasivos para eliminar los restos de cinta o goma. Estos productos pueden dañar la superficie de su acondicionador de aire.

Instalación del acondicionador de aire portátil

Instale la manguera de desagüe

1. Quite el tapón de desagüe del puerto de desagüe.

Tapón de desagüe



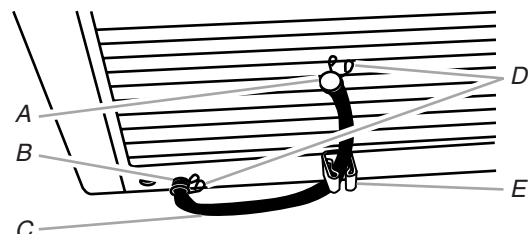
2. Con la abrazadera, ajuste un extremo de la manguera de desagüe al puerto de desagüe de la unidad. Vea el gráfico de la manguera de desagüe.
3. Inserte el tapón de desagüe en el otro extremo de la manguera de desagüe y asegúrelo con la abrazadera. Vea el gráfico de la manguera de desagüe.
4. Ajuste el sujetador de la manguera de desagüe al panel posterior del acondicionador de aire cerca del puerto de desagüe con el tornillo provisto.

Sujetador de la manguera de desagüe



5. Inserte el extremo libre de la manguera de desagüe en el sujetador de la manguera de desagüe.

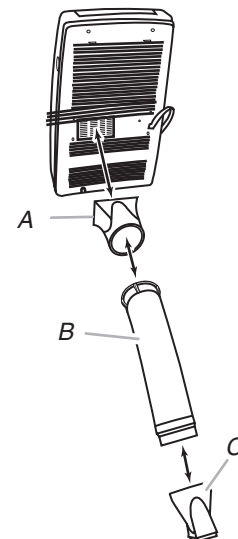
Manguera de desagüe



A. Tapón de desagüe
B. Puerto de desagüe
C. Manguera de desagüe
D. Abrazaderas de desagüe
E. Sujetador de la manguera de desagüe

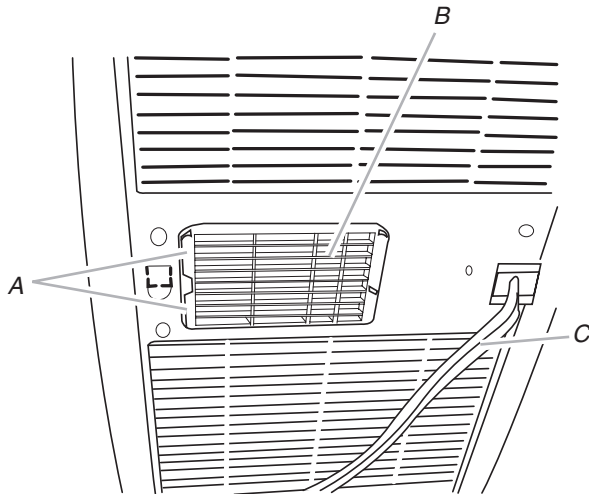
Instale la manguera de escape y el adaptador

1. Haga rodar el acondicionador de aire hasta la ubicación elegida. Vea "Requisitos de ubicación".
2. Inserte un extremo de la manguera de escape flexible en el adaptador del escape de la unidad.
3. Gire hacia la derecha para trabar la manguera en su lugar.
4. Inserte el otro extremo de la manguera de escape flexible en el adaptador del escape de la unidad.
5. Gire hacia la derecha para trabar la manguera en su lugar.



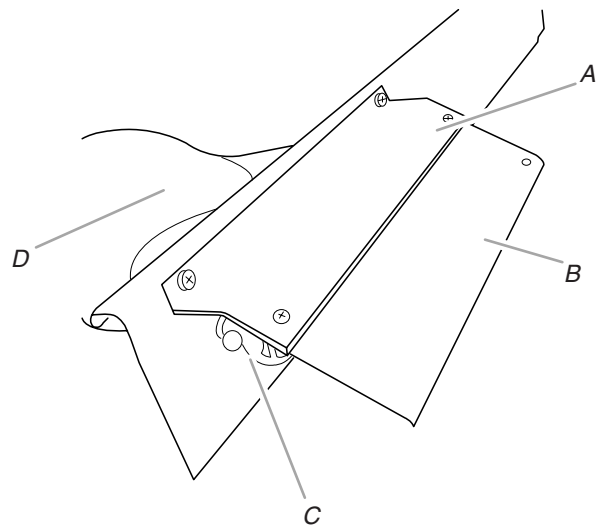
A. Adaptador del escape de la unidad
B. Manguera de escape flexible
C. Adaptador del escape de la ventana

6. Deslice el adaptador de escape de la unidad con la manguera del escape flexible sujeta a las ranuras en cada lado del escape de la unidad.



A. Ranura para montar el adaptador del escape de la unidad
 B. Escape de la unidad
 C. Cable de suministro de energía

Ensamblaje de la cubierta contra la lluvia



A. Soporte para la cubierta contra la lluvia
 B. Cubierta contra la lluvia
 C. Rejilla de salida
 D. Adaptador del escape de la ventana

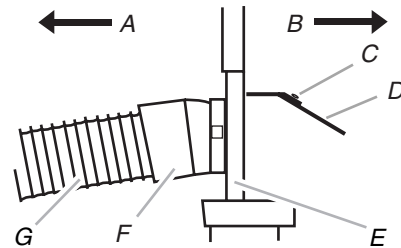
Instalación para ventana

Su juego deslizante para ventana fue diseñado para encajar en casi todo tipo de ventanas verticales y horizontales estándar. Sin embargo, podría ser necesario que tenga que modificar algunos aspectos de los procedimientos de instalación para ciertos tipos de ventanas.

1. Inserte el adaptador del escape de la ventana en el juego deslizante de la ventana.
2. Ajuste la rejilla de salida al adaptador del escape de la ventana con los 2 tornillos provistos.
3. Ajuste el protector contra la lluvia en el soporte horizontal o vertical para el protector contra la lluvia (dependiendo de la instalación) con los tornillos y las tuercas provistos.
4. Ajuste el ensamblaje de soporte para la cubierta contra la lluvia al juego deslizante para ventana con los tornillos y las tuercas provistos.

NOTA: Los orificios en el juego deslizante para ventana están ubicados de modo tal de poder ajustar tanto el soporte deslizante vertical como el horizontal para la cubierta contra la lluvia.

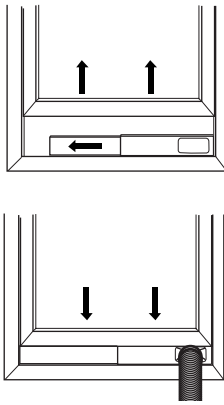
5. Abra la ventana.
6. Ubique el juego deslizante para ventana en la ventana, extendiéndolo de manera tal que encaje en el ancho de la misma. Asegúrese de que el ensamblaje del soporte de la cubierta contra la lluvia esté en la parte exterior de la ventana.



A. Al acondicionador de aire
 B. Exterior
 C. Tornillo provisto
 D. Ensamblaje del soporte para la cubierta contra la lluvia
 E. Juego deslizante para ventana
 F. Adaptador del escape de la ventana
 G. Manguera de escape flexible

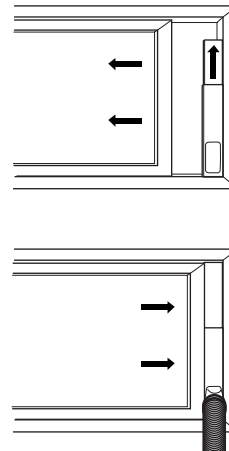
7. Cierre la ventana sobre el juego deslizante para ventana a fin de asegurarlo.

Ventana deslizante vertical



Ventana deslizante horizontal

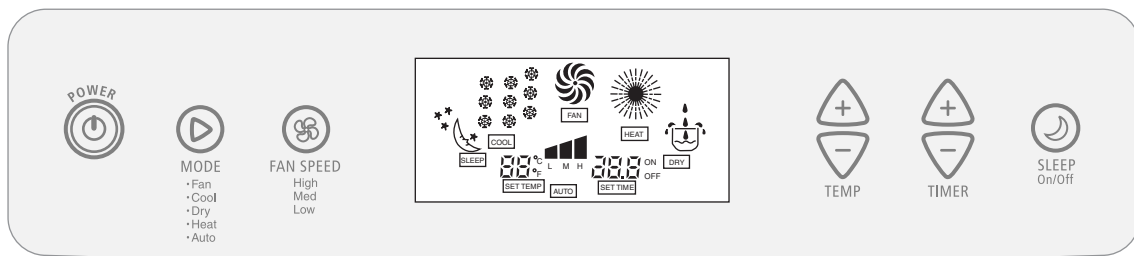
Para la instalación en ventana a bisagra, el juego deslizante para ventana puede ser instalado verticalmente con el juego deslizante para ventana que abra en la parte inferior.



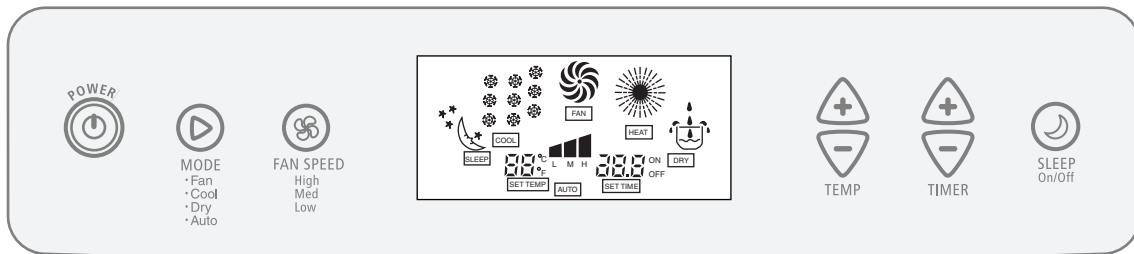
CÓMO USAR SU ACONDICIONADOR DE AIRE PORTÁTIL

Cómo poner en marcha su acondicionador de aire portátil

Modelos con calefacción



Modelos sin calefacción



NOTAS:

- En caso de corte de electricidad, el acondicionador de aire funcionará con los ajustes previos cuando se reanude la electricidad.
- Cuando se cambien los modos mientras el acondicionador de aire esté en funcionamiento, el ventilador funcionará por 3 a 5 minutos antes de recomenzar. Si se presiona un botón durante este tiempo, el ventilador funcionará por otros 3 a 5 minutos.
- En el modo de Cool (enfriamiento) o Dry (seco), el compresor y el ventilador se detendrán cuando la temperatura de la habitación alcance la temperatura fijada.

Mode (Modo)

Oprima MODE para elegir Fan (ventilador), Cool (enfriamiento), Dry (seco), Heat (calefacción) (modelos de calefacción solamente) o Auto.



MODE

Modo de Fan Only (Sólo ventilación)

Sirve solamente para mover el aire. El usuario ajusta la velocidad del ventilador.

1. Oprima POWER para encender el acondicionador de aire.



2. Oprima MODE para seleccionar Fan (ventilación).

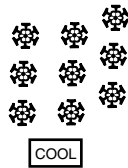


3. Seleccione la velocidad de ventilación. Vea “Velocidad de ventilación”.

Modo de Cool (enfriamiento)

El modo de Cool enfría el ambiente. El usuario ajusta la temperatura y la velocidad del ventilador.

1. Oprima POWER para encender el acondicionador de aire.
2. Oprima MODE para seleccionar Cool.



3. Seleccione la velocidad de ventilación. Vea “Velocidad de ventilación”.
4. Seleccione la temperatura. Vea “Temperatura”.
5. Cuando aparece “H8” en la pantalla, el depósito de agua de la unidad está lleno. El acondicionador de aire se apagará automáticamente. Vea “Cuidado del acondicionador de aire portátil” para obtener instrucciones sobre cómo desaguar el acondicionador de aire.



Modo de Dry (Seco)

El modo de Dry seca el ambiente. El ventilador funciona solamente en Low (baja).

1. Oprima POWER para encender el acondicionador de aire.
2. Oprima MODE para seleccionar Dry.



3. Cuando aparece “H8” en la pantalla, el depósito de agua de la unidad está lleno. El acondicionador de aire se apagará automáticamente. Vea “Cuidado del acondicionador de aire portátil” para obtener instrucciones sobre cómo desaguar el acondicionador de aire.

Modo de Heat (modelos con calefacción solamente)

El modo de Heat (calefacción) calienta la habitación. El usuario ajusta la temperatura y la velocidad del ventilador.

1. Oprima POWER para encender el acondicionador de aire.
2. Oprima MODE para seleccionar Heat.



3. Seleccione la velocidad de ventilación. Vea “Velocidad de ventilación”.
4. Seleccione la temperatura. Vea “Temperatura”.

Modo de Auto (automático) (sólo enfriamiento)

El modo de Auto enfría la habitación variando las velocidades de ventilación y encendiendo y apagando el compresor.

NOTA: La temperatura y la velocidad de ventilación no pueden ajustarse cuando se usa el modo Auto.

1. Oprima POWER para encender el acondicionador de aire.
2. Oprima MODE para seleccionar Auto.



Velocidad de ventilación

1. Oprima FAN para seleccionar la velocidad de ventilación.
2. Seleccione High (alta), Med (media) o Low (baja).
 - High—Máximo flujo de aire
 - Med—Flujo intermedio de aire
 - Low—Mínimo flujo de aire



Temperatura

1. Oprima el botón de TEMP más para aumentar la temperatura 1°.
2. Oprima el botón de TEMP menos para disminuir la temperatura 1°.



NOTAS:

- En el modo de Cool (enfriamiento), la temperatura puede fijarse entre 61°F (16°C) y 86°F (30°C).
- En el modo de Fan Only (sólo ventilación), no se puede ajustar la temperatura.
- La temperatura que aparece en la pantalla no puede cambiarse a centígrados (°C).

Retraso del temporizador

Para programar el temporizador para un retraso de 1 a 24 horas hasta que el acondicionador de aire se apague (el acondicionador de aire tiene que estar Encendido):

1. Oprima botón de TIMER de más. La pantalla mostrará las horas restantes antes de que se apague el acondicionador de aire.



2. Oprima el botón de más o de menos para cambiar el tiempo de retardo (de 1 a 24 horas).
3. Para cancelar Timer, presione el botón de más o menos hasta que no aparezca ningún tiempo de retraso en la pantalla.

Para programar el temporizador de manera que el acondicionador de aire se encienda manteniendo los ajustes previos:

1. Apague el acondicionador de aire.
2. Oprima el botón de TIMER de más. La pantalla mostrará las horas restantes antes de que se encienda el acondicionador de aire.
3. Oprima el botón de más o de menos para cambiar el tiempo de retardo (de 1 a 24 horas).
4. Para cancelar Timer, presione el botón de más o menos hasta que no aparezca ningún tiempo de retraso en la pantalla.

Para programar el temporizador de manera que el acondicionador de aire se encienda cambiando los ajustes previos:

1. Encienda el acondicionador de aire.
2. Ajuste el Modo a Fan, Cool, Heat (modelos de calefacción solamente) o Auto.
NOTA: La temperatura y la velocidad de ventilación no pueden ajustarse cuando se usa el modo Auto.
3. Ajuste la velocidad de ventilación a High (alta), Med (media) o Low (baja).
4. Ajuste la temperatura entre 64°F (18°C) y 86°F (30°C).
5. Espere 3 segundos antes de apagar el acondicionador de aire.
6. Oprima el botón de TIMER de más. La pantalla mostrará las horas restantes antes de que se encienda el acondicionador de aire.
7. Oprima el botón de más o de menos para cambiar el tiempo de retardo (de 1 a 24 horas).
8. Para cancelar Timer, presione el botón de más o menos hasta que no aparezca ningún tiempo de retraso en la pantalla.

Para borrar la programación del tiempo de retardo del temporizador:

NOTA: El acondicionador de aire puede estar encendido o apagado.

Presione el botón de más o menos hasta que no aparezca ningún tiempo de retraso en la pantalla.

Para ver o cambiar el tiempo restante (en horas):

- El tiempo restante aparecerá en la pantalla mientras el Temporizador esté activado.
- Oprima el botón de más o menos para aumentar o disminuir el tiempo.

Mode de Sleep (dormir)

Cuando el modo Sleep (Dormir) está activado, la temperatura fijada aumentará automáticamente en intervalos hasta que el temporizador apague el modo Sleep.

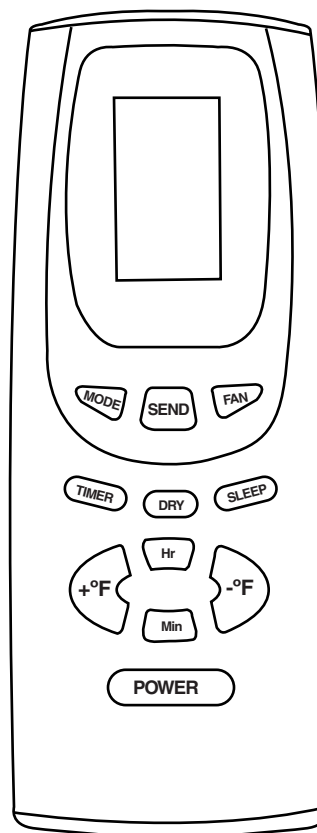
1. Oprima POWER para encender el acondicionador de aire.
2. Oprima MODE para seleccionar Cool o Heat (modelos de calefacción solamente).
3. Oprima SLEEP.
4. Oprima el botón de más o menos del Temporizador para cambiar el tiempo de retardo (0,5 a 24 horas).



5. Para cancelar el modo Sleep, presione SLEEP nuevamente.

Cómo usar el control remoto

NOTA: La apariencia del control remoto puede variar.



NOTAS:

- El control remoto se alimenta con dos pilas AAA (incluidas). No use pilas recargables. Cambie las pilas después de 6 meses de uso o cuando el control remoto comienza a perder fuerza.
- Para hacer funcionar el acondicionador de aire con el control remoto, dirija el control remoto hacia el receptor de señal desde una distancia no mayor a los 23 pies (7 m).

Para encender o apagar el acondicionador de aire

Oprima POWER (encendido).



Para seleccionar el modo

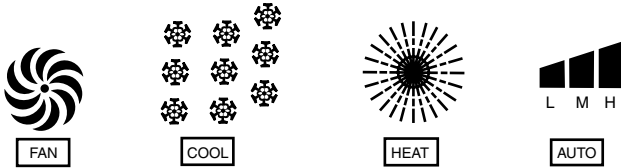
NOTA: Para seleccionar el modo de Dry (seco), vea “Para seleccionar el modo de Dry” más adelante en esta sección.

1. Presione MODE (modo) para elegir Fan [ventilador], Cool [enfriamiento], Heat [calefacción] [modelos de calefacción solamente] o Auto [automático].



Aparecerán los siguientes símbolos.

- Ventilador—Modo de Fan.
- Copo de nieve—Modo de Cool.
- Sol—Modo de Heat (modelos de calefacción solamente).
- Triángulo—Modo de Auto.



2. Oprima SEND para activar el modo.



3. Para ajustar la temperatura o la velocidad de ventilación, seleccione -°F, +°F o FAN.
4. Oprima SEND.

Para seleccionar el modo de Dry

NOTA: No se debe presionar el botón de Send para activar el modo de Dry.

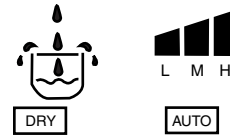
1. Oprima POWER para encender el acondicionador de aire.
2. Oprima DRY para seleccionar el modo Dry.



Aparecerán los siguientes símbolos.

- Lágrima—Modo de Dry
- Triángulo—Modo de Auto

NOTA: Si se presiona DRY nuevamente se seleccionará el modo de Auto.



Para seleccionar la velocidad de ventilación Fan [ventilación], Cool [enfriamiento], o Heat [calefacción] [modelos de calefacción solamente].

1. Oprima FAN.
2. Seleccione High (alta), Med (media) o Low (baja).



3. Oprima SEND para activar la velocidad de ventilación.

Para fijar la temperatura

Para subir la temperatura:

Presione el botón de más para aumentar la temperatura 1°.



Para bajar la temperatura:

Presione el botón de menos para disminuir la temperatura 1°.



NOTA: Oprima SEND (ingresar) para activar el cambio de temperatura.

Para programar hora del día

La hora del día siempre aparece en el control remoto.

1. Presione el botón de Hr (hora) hasta que la hora correcta aparezca en la pantalla.



2. Presione el botón de Min (minutos) hasta que los minutos correctos aparezcan.



Para fijar el retraso del temporizador

Para programar el temporizador de manera que el acondicionador de aire se encienda manteniendo los ajustes previos:

1. Apague el acondicionador de aire.
2. Oprima TIMER. La pantalla mostrará las horas restantes antes de que el acondicionador de aire se apague.



3. Oprima el botón de Hr para cambiar el tiempo de retraso (de 1 a 18 horas).
4. Oprima SEND. La pantalla del control remoto mostrará las horas restantes antes de que el acondicionador de aire se encienda.

Para programar el temporizador de manera que el acondicionador de aire se encienda cambiando los ajustes previos:

1. Encienda el acondicionador de aire.
2. Ajuste el Modo a Fan (ventilador), Cool (enfriamiento), Dry (seco), Heat (calefacción) (modelos de calefacción solamente) o Auto (automático).
3. Oprima SEND.
4. Ajuste el velocidad de ventilación a High (alta), Med (media) o Low (baja).
5. Oprima SEND.
6. Ajuste la temperatura entre 64°F (18°C) y 86°F (30°C).
7. Oprima SEND.
8. Espere 3 segundos antes de apagar el acondicionador de aire.

9. Oprima TIMER. La pantalla en el control remoto mostrará las horas restantes antes de que se encienda el acondicionador de aire.
10. Oprima el botón de Hr para cambiar el tiempo de retardo (de 1 a 18 horas).
11. Oprima SEND. La pantalla en el control remoto mostrará las horas restantes antes de que se encienda el acondicionador de aire.

Para borrar la programación del tiempo de retardo del temporizador:

1. Presione TIMER (temporizador) hasta que aparezca en la pantalla la hora del día.
2. Oprima SEND.

Para ver o cambiar el tiempo restante (en horas):

- El tiempo de retraso aparecerá en la pantalla mientras el temporizador esté activado.
- Presione el botón de Hr (hora) para cambiar la hora.

Para seleccionar el modo de Sleep

Cuando el modo Sleep (dormir) está activado, la temperatura fijada aumentará automáticamente en intervalos hasta que el temporizador apague el modo Sleep.

1. Oprima POWER para encender el acondicionador de aire.
2. Oprima MODE para seleccionar Cool o Heat (modelos de calefacción solamente).
3. Oprima SLEEP.



4. Oprima el botón de Hr para cambiar el tiempo de retraso (de 1 a 7 horas).
5. Oprima SEND.
6. Para cancelar el modo Sleep, presione SLEEP nuevamente.

Sonidos normales

Cuando el acondicionador de aire está funcionando normalmente, usted podrá escuchar sonidos como:

- Gotas de agua que caen sobre el condensador, produciendo tintineos o chasquidos. Las gotas de agua ayudan a enfriar el condensador.
- El movimiento del aire que sale del ventilador.
- Chasquidos del ciclo del termostato.
- Vibraciones o ruidos debidos a deficiencias en la construcción de la pared o ventana.
- Un zumbido agudo o un ruido pulsante producido por la alternación de los ciclos del moderno compresor de alta eficiencia.

CÓMO CUIDAR SU ACONDICIONADOR DE AIRE PORTÁTIL

Desagüe del acondicionador de aire

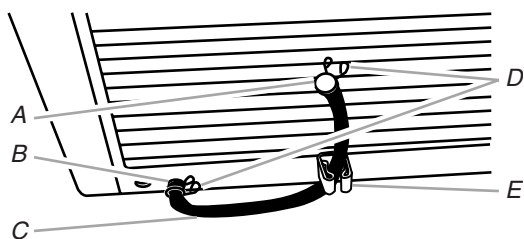
⚠ ADVERTENCIA

Peligro de Peso Excesivo

Use dos o más personas para mover e instalar el acondicionador de aire.

No seguir esta instrucción puede ocasionar una lesión en la espalda u otro tipo de lesiones.

NOTA: Cuando aparece "H8", se debe drenar el acondicionador de aire. El acondicionador de aire no funcionará hasta que el agua se haya drenado de la unidad.

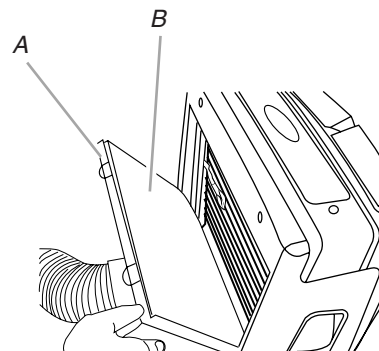


A. Tapón de desagüe
B. Puerto de desagüe
C. Manguera de desagüe
D. Abrazaderas
E. Sujetador de la manguera de desagüe

1. Oprima POWER (encendido) para apagar el acondicionador de aire.
2. Desenchufe el acondicionador de aire o desconecte el suministro de energía.
3. Desconecte la manguera de escape flexible.
4. Mueva el acondicionador de aire a un lugar de desagüe o hacia afuera.
5. Saque la manguera de desagüe del sujetador de la misma.
NOTA: Si no se ha instalado la manguera de desagüe, saque la tapa de desagüe del puerto de desagüe. Vea "Instalación del acondicionador de aire portátil".
6. Saque la abrazadera y el tapón de desagüe.
7. Después de desaguar el depósito, vuelva a colocar el tapón de desagüe y la abrazadera.
8. Encaje la manguera de desagüe nuevamente dentro del sujetador de la misma.
9. Vuelva a colocar el acondicionador de aire en su lugar.
10. Vuelva a conectar la manguera de escape flexible.
11. Enchufe el acondicionador de aire o reconecte el suministro de energía.
12. Oprima POWER (encendido) para encender el acondicionador de aire.

Limpieza del filtro de aire

1. Oprima POWER (encendido) para apagar el acondicionador de aire.
2. Abra el panel del filtro y levántelo del mismo.



A. Panel del filtro
B. Filtro

3. Limpie el filtro usando una aspiradora. Si está muy sucio, lave el filtro de aire con agua tibia y un detergente suave.
NOTA: No lave el filtro en la lavavajillas ni use limpiadores químicos.
4. Seque bien el filtro al aire antes de colocarlo nuevamente para asegurarse la máxima eficiencia.
5. Vuelva a colocar el filtro en el panel del filtro.
6. Cierre el panel del filtro.

Limpieza del exterior

1. Desenchufe el acondicionador de aire o desconecte el suministro de energía.
2. Saque el filtro de aire y limpie separadamente. Vea "Limpieza del filtro de aire".
3. Limpie el exterior con un paño suave y húmedo.
4. Enchufe el acondicionador de aire o reconecte el suministro de energía.
5. Oprima POWER (encendido) para encender el acondicionador de aire.

Almacenamiento después del uso

1. Quite el tapón de desagüe y drene el agua completamente.
2. Haga funcionar el acondicionador de aire con el ventilador solamente durante aproximadamente 12 horas para que éste se seque.
3. Desenchufe el acondicionador de aire.
4. Saque la manguera de escape flexible y guárdela junto con el acondicionador de aire en un lugar limpio y seco. Vea "Instrucciones de instalación".
5. Saque el juego de la ventana y guárdelo junto con el acondicionador de aire en un lugar limpio y seco. Vea "Instrucciones de instalación".
6. Quite el filtro y límpielo. Vea "Limpieza del filtro de aire".
7. Limpie el exterior del acondicionador de aire. Vea "Limpieza del exterior".
8. Vuelva a instalar el filtro.
9. Saque las baterías y guarde el control remoto junto con el acondicionador de aire en un lugar limpio y seco.

SOLUCIÓN DE PROBLEMAS

Antes de solicitar servicio, pruebe las sugerencias que se incluyen a continuación para ver si puede resolver el problema sin ayuda.

Su acondicionador de aire no funciona

⚠ ADVERTENCIA



Peligro de Choque Eléctrico

Conecte a un contacto de pared de conexión a tierra de 3 terminales.

No quite la terminal de conexión a tierra.

No use un adaptador.

No use un cable eléctrico de extensión.

No seguir estas instrucciones puede ocasionar la muerte, incendio o choque eléctrico.

- **El cable de alimentación eléctrica está desconectado.** Conecte a un contacto de pared de conexión a tierra de 3 terminales. Vea “Requisitos eléctricos”.
- **Se está usando un fusible de retardo o un disyuntor con la capacidad incorrecta.** Reemplácelo con un fusible de retardo o un disyuntor con la capacidad correcta. Vea “Requisitos eléctricos”.
- **El cable de suministro de energía se trabó (el botón de reposición saltó).** Presione y suelte RESET (reposición) (escuche el chasquido, el botón de reposición queda asegurado y se mantiene asegurado) para reanudar el funcionamiento.
- **Se ha fundido un fusible de la casa o disparado un disyuntor.** Reemplace el fusible o reposicione el disyuntor. Vea “Requisitos eléctricos”.
- **No se ha presionado el botón de Power (encendido).** Presione POWER.
- **Se ha interrumpido la energía eléctrica en su localidad.** Espere que se restablezca la energía eléctrica.

El acondicionador de aire funde los fusibles o dispara los disyuntores

- **Se están usando muchos aparatos en el mismo circuito.** Desconecte o ponga en otro lugar los aparatos que estén usando el mismo circuito.
- **Usted está tratando de volver a poner en marcha el acondicionador de aire muy poco tiempo después de apagarlo.** Espere por lo menos 3 minutos antes de poner en marcha el acondicionador de aire después de apagarlo.
- **Ha cambiado el modo.** Espere por lo menos 3 minutos antes de poner en marcha el acondicionador de aire después de apagarlo.

El cable de suministro de energía del acondicionador de aire se traba (el botón de reposición salta)

- **Las interrupciones en la corriente eléctrica de su casa pueden hacer trabar (el botón de reposición saltará) el cable de suministro de energía.** Presione y libere RESET (Reposición) (escuche el chasquido, el botón de reposición queda asegurado y se mantiene asegurado) para reanudar el funcionamiento.
- **Una sobrecarga eléctrica, el recalentamiento, los pellizcos y el envejecimiento pueden hacer que se trabe (el botón de reposición saltará) el cable de suministro de energía.** Luego de corregir el problema, presione y libere RESET (Reposición) (escuche el chasquido, el botón de reposición queda asegurado y se mantiene asegurado) para reanudar el funcionamiento. Si el cable de suministro de energía no se reposiciona, póngase en contacto con un técnico de servicio.

NOTA: Un cable de suministro de energía dañado debe ser reemplazado por un nuevo cable de suministro de energía obtenido del fabricante del producto y no debe ser reparado.

Parece que el acondicionador de aire funciona excesivamente

- **¿Está abierta una ventana o puerta que da al exterior?** Mantenga las puertas y ventanas cerradas.
- **Su actual acondicionador de aire reemplazó un modelo viejo.** El uso de componentes más eficientes puede hacer que el acondicionador de aire funcione por más tiempo que su antiguo modelo, pero el consumo total de energía será menor. Los acondicionadores de aire más nuevos no emiten las “ráfagas” de aire frío a las que usted estaba acostumbrado con sus unidades anteriores, pero esto no es indicio de menor capacidad o eficiencia en el enfriamiento. Verifique el régimen de eficiencia (EER) y el régimen de capacidad (en Btu/h) que se indican en el acondicionador de aire.
- **El acondicionador de aire se encuentra en una habitación muy congestionada o se están usando en la misma habitación aparatos que generan calor.** Use ventiladores aspiradores cuando esté cocinando o bañándose y trate de no usar aparatos que generan calor durante las horas más calurosas del día. Los acondicionadores de aire portátiles están diseñados para proporcionar enfriamiento complementario a áreas locales dentro de una habitación. Podría necesitar un acondicionador de aire con más capacidad, dependiendo del tamaño de la habitación que se desea enfriar.

El acondicionador de aire funciona solamente por un corto tiempo y la habitación no está fría

- **Se fijó una temperatura similar a la temperatura de la habitación.** Baje la temperatura fijada. Vea “Uso del acondicionador de aire portátil”.

El acondicionador de aire funciona pero no enfría

- **El filtro está sucio u obstruido por escombros.** Limpie el filtro.
- **La salida del aire está bloqueada.** Despeje la salida del aire.
- **Se fijó la temperatura en un ajuste demasiado alto.** Baje la temperatura fijada.

El acondicionador de aire alterna demasiado

- **El acondicionador de aire no tiene el tamaño adecuado para su habitación.** Verifique la capacidad de enfriamiento de su acondicionador de aire portátil. Los acondicionadores de aire portátiles están diseñados para proporcionar enfriamiento complementario a áreas locales dentro de una habitación.

- **El filtro está sucio u obstruido por desechos.** Limpie el filtro.
- **Hay demasiado calor o humedad (se está cocinando en recipientes abiertos, duchas, etc.) en la habitación.** Use un ventilador para eliminar el calor o la humedad de la habitación. Trate de no usar aparatos que generan calor durante las horas más calurosas del día.
- **Las rejillas están bloqueadas.** Instale el acondicionador de aire en un lugar donde las rejillas no estén bloqueadas por cortinas, persianas, muebles, etc.
- **La temperatura exterior es inferior a los 64°F (18°C).** No trate de poner en marcha el acondicionador de aire en el modo de enfriamiento cuando la temperatura exterior sea inferior a los 64°F (18°C).

AYUDA O SERVICIO TÉCNICO

Antes de solicitar ayuda o servicio técnico, por favor consulte la sección “Solución de Problemas”. Esto le podría ahorrar el costo de una visita de servicio técnico. Si considera que aún necesita ayuda, siga las instrucciones que aparecen a continuación.

Cuando llame, tenga a mano la fecha de compra y el número completo del modelo y de la serie de su electrodoméstico. Esta información nos ayudará a atender mejor a su pedido.

Si necesita piezas de repuesto

Si necesita pedir piezas de repuesto, recomendamos que use únicamente piezas de repuesto FSP®. Estas piezas encajarán bien y funcionarán bien ya que están confeccionadas con la misma precisión empleada en la fabricación de cada electrodoméstico nuevo de WHIRLPOOL®.

Para encontrar piezas de repuesto FSP® en su localidad, llámenos o comuníquese con el centro de servicio designado por Whirlpool más cercano a su localidad.

En los EE.UU.

Llame al Centro para la eXperiencia del cliente de Whirlpool sin costo alguno al: **1-800-253-1301** o visite nuestro sitio web en **www.whirlpool.com**.

Nuestros consultores ofrecen asistencia con respecto a:

- Características y especificaciones de nuestra línea completa de electrodomésticos.
- Información sobre instalación.
- Procedimiento para el uso y mantenimiento.
- Venta de accesorios y piezas para reparación.
- Asistencia especializada para el cliente (habla hispana, problemas de audición, visión limitada, etc.).

- Recomendaciones con distribuidores locales, compañías que dan servicio y distribuidores de partes para reparación. Los técnicos de servicio designados por Whirlpool están entrenados para cumplir con la garantía del producto y ofrecer servicio una vez que la garantía termine, en cualquier lugar de los Estados Unidos.

Para localizar a una compañía de servicio designada por Whirlpool en su área, también puede consultar la sección amarilla de su guía telefónica.

Para obtener más asistencia

Si necesita asistencia adicional, puede escribir a Whirlpool Corporation con sus preguntas o dudas a:

Whirlpool Brand Home Appliances
Customer eXperience Center
553 Benson Road
Benton Harbor, MI 49022-2692

Favor de incluir un número telefónico de día en su correspondencia.

GARANTÍA DE LOS ELECTRODOMÉSTICOS DE WHIRLPOOL CORPORATION

GARANTÍA LIMITADA DE UN AÑO

Durante un año a partir de la fecha de compra, siempre y cuando se dé a este producto un uso y mantenimiento de conformidad con las instrucciones adjuntas o provistas con el producto, Whirlpool Corporation o Whirlpool Canada LP (en lo sucesivo denominado "Whirlpool") se hará cargo del costo de las piezas de repuesto FSP y del trabajo de reparación para corregir defectos en los materiales o en la mano de obra, o reemplazará el producto a discreción nuestra. El servicio deberá ser suministrado por una compañía de servicio designada por Whirlpool. Esta garantía no cubre el filtro de aire.

GARANTÍA LIMITADA DE CINCO AÑOS PARA EL SISTEMA SELLADO

Durante cinco años a partir de la fecha de compra, mientras este producto haya sido operado y mantenido según las instrucciones adjuntas o provistas con el producto, Whirlpool Corporation o Whirlpool Canada LP (en lo sucesivo denominado "Whirlpool") se hará cargo del costo de las piezas de repuesto FSP y del trabajo de reparación para corregir defectos en los materiales o en la mano de obra en el sistema sellado de refrigeración incluyendo el compresor, evaporador, condensador, secadora filtro y tubos de conexión, o reemplazará el producto a discreción nuestra. El servicio deberá ser suministrado por una compañía de servicio designada por Whirlpool.

WHIRLPOOL NO PAGARÁ POR LOS SIGUIENTES ARTÍCULOS

1. Visitas de servicio técnico para corregir la instalación de su producto, para enseñarle a usar su producto, para cambiar fusibles domésticos o reconectar cortocircuitos, reemplazar o limpiar filtros, o para corregir la instalación eléctrica de la casa.
 2. Visitas de servicio técnico para reparar o reemplazar filtros de aire. Esos insumos están excluidos de la cobertura de la garantía.
 3. Reparaciones cuando su producto se use de un modo diferente al doméstico normal de una familia.
 4. Daños causados por accidente, alteración, uso indebido, abuso, incendio, inundación, actos fortuitos, instalación incorrecta, instalación que no esté de acuerdo con los códigos eléctricos o de plomería, o el empleo de productos no aprobados por Whirlpool.
 5. Piezas de repuesto o gastos de reparación para electrodomésticos que se empleen fuera de los Estados Unidos o Canadá.
 6. Recogida y entrega. Este producto está diseñado para ser reparado en el hogar.
 7. Reparaciones de piezas o sistemas como resultado de modificaciones no autorizadas que se hayan efectuado en el electrodoméstico.
 8. Gastos de viaje y transporte para obtener servicio del producto en lugares remotos.
 9. La remoción e instalación de su electrodoméstico si estuviera instalado en un lugar inaccesible o si no estuviera instalado de conformidad con las instrucciones de instalación publicadas.
-

EXCLUSIÓN DE GARANTÍAS IMPLÍCITAS; LIMITACIÓN DE RECURSOS

EL ÚNICO Y EXCLUSIVO RECURSO DEL CLIENTE SEGÚN LOS TÉRMINOS DE ESTA GARANTÍA LIMITADA SERÁ EL DE REPARAR EL PRODUCTO SEGÚN SE ESTIPULA EN LA PRESENTE. LAS GARANTÍAS IMPLÍCITAS, INCLUYENDO LAS GARANTÍAS DE COMERCIABILIDAD O DE CAPACIDAD PARA UN PROPÓSITO PARTICULAR, SERÁN LIMITADAS A UN AÑO O AL PERÍODO MÁS CORTO PERMITIDO POR LEY. WHIRLPOOL NO SE RESPONSABILIZARÁ POR DAÑOS INCIDENTALES O CONSECUENTES. ALGUNOS ESTADOS Y PROVINCIAS NO PERMITEN LAS EXCLUSIONES O LIMITACIONES POR DAÑOS INCIDENTALES O CONSECUENTES, O LIMITACIONES ACERCA DE CUÁNTO DEBE DURAR UNA GARANTÍA IMPLÍCITA DE COMERCIABILIDAD O CAPACIDAD, DE MODO QUE LAS LIMITACIONES O EXCLUSIONES ARRIBA MENCIONADAS PUEDEN NO APLICARSE EN SU CASO. ESTA GARANTÍA LE OTORGA DERECHOS LEGALES ESPECÍFICOS Y ES POSIBLE QUE USTED TENGA TAMBIÉN OTROS DERECHOS QUE PUEDEN VARIAR DE UN ESTADO A OTRO O DE UNA PROVINCIA A OTRA.

Esta garantía no tiene vigor fuera de los cincuenta Estados Unidos y Canadá. Póngase en contacto con el distribuidor autorizado de Whirlpool para determinar si corresponde otra garantía.

Si necesita servicio, consulte primero la sección "Solución de problemas" del Manual de uso y cuidado. Después de consultar la sección "Solución de problemas", puede encontrar ayuda adicional en la sección "Ayuda o servicio técnico", o llamando a Whirlpool. En E.U.A., llame al **1-800-253-1301**. En Canadá, llame al **1-800-807-6777**.

9/05

Guarde este libro y su comprobante de compra juntos para referencia futura. Usted deberá proporcionar el comprobante de la compra o una fecha de instalación para obtener servicio bajo la garantía.

Escriba la siguiente información acerca de su electrodoméstico para ayudarle mejor a obtener asistencia o servicio técnico si alguna vez llegara a necesitarlo. Deberá tener a mano el número completo del modelo y de la serie. Usted puede encontrar esta información en la etiqueta con el número de modelo y de serie ubicada en el producto.

Nombre del distribuidor _____

Dirección _____

Número de teléfono _____

Número de modelo _____

Número de serie _____

Fecha de compra _____

SÉCURITÉ DU CLIMATISEUR

Votre sécurité et celle des autres est très importante.

Nous donnons de nombreux messages de sécurité importants dans ce manuel et sur votre appareil ménager. Assurez-vous de toujours lire tous les messages de sécurité et de vous y conformer.



Voici le symbole d'alerte de sécurité.

Ce symbole d'alerte de sécurité vous signale les dangers potentiels de décès et de blessures graves à vous et à d'autres.

Tous les messages de sécurité suivront le symbole d'alerte de sécurité et le mot "DANGER" ou "AVERTISSEMENT". Ces mots signifient :

⚠ DANGER

Risque possible de décès ou de blessure grave si vous ne suivez pas immédiatement les instructions.

⚠ AVERTISSEMENT

Risque possible de décès ou de blessure grave si vous ne suivez pas les instructions.

Tous les messages de sécurité vous diront quel est le danger potentiel et vous disent comment réduire le risque de blessure et ce qui peut se produire en cas de non-respect des instructions.

IMPORTANTES INSTRUCTIONS DE SÉCURITÉ

AVERTISSEMENT : Pour réduire les risques d'incendie, de choc électrique ou des blessures lors de l'utilisation du climatiseur, prendre quelques précautions fondamentales, y compris les suivantes :

- Brancher l'appareil sur une prise à 3 alvéoles reliée à la terre.
- Ne pas utiliser un câble de rallonge.
- Ne pas enlever la broche de liaison à la terre.
- Débrancher le climatiseur avant l'entretien.
- Ne pas utiliser un adaptateur.
- Utiliser deux ou plus de personnes pour déplacer et installer le climatiseur.

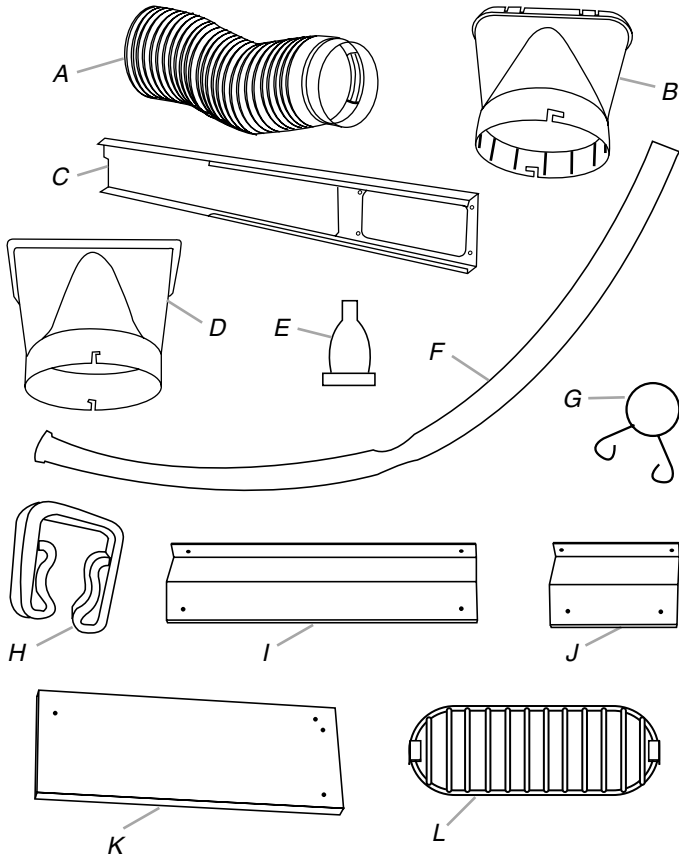
CONSERVEZ CES INSTRUCTIONS

EXIGENCES D'INSTALLATION

Pièces

Pièces fournies

Vérifier que toutes les pièces sont présentes dans le sachet de pièces.

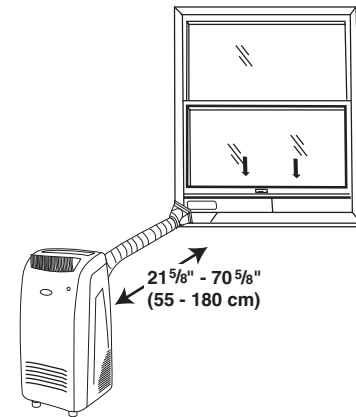


- | | |
|---|---|
| A. Tuyau d'évacuation souple | H. Collier de serrage du tuyau de vidange |
| B. Adaptateur du tuyau d'évacuation pour fenêtre | I. Support de la housse verticale |
| C. Ensemble coulissant pour fenêtre (3) | J. Support de la housse horizontale |
| D. Adaptateur du tuyau d'évacuation pour l'appareil | K. Housse de protection contre la pluie |
| E. Bonde de vidange | L. Grille de la prise |
| F. Tuyau de vidange | |
| G. Brides de serrage de tuyau vidange (2) | |

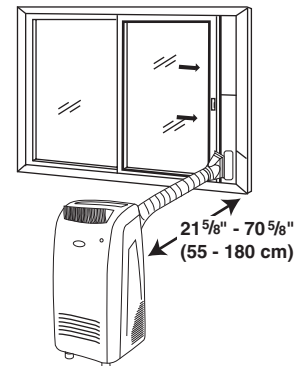
Exigences d'emplacement

- Le tuyau d'évacuation souple permet de placer le climatiseur entre 21 $\frac{5}{8}$ " à 70 $\frac{5}{8}$ " (55 cm à 180 cm) à partir de la porte ou de la fenêtre.
- Les climatiseurs portatifs sont conçus comme un dispositif supplémentaire de chauffage ou de refroidissement de zones locales dans une même pièce.

Fenêtre à coulissement vertical



Fenêtre à coulissement horizontal



- Pour obtenir une aération appropriée, maintenir la distance exigée de la prise de retour d'air au mur ou autres obstacles à 21 $\frac{5}{8}$ " (55 cm) minimum.
- Ne pas bloquer la prise de la sortie d'air.
- Permettre un accès facile à une prise à 3 alvéoles reliée à la terre.

⚠ AVERTISSEMENT



Risque de choc électrique

Brancher sur une prise à 3 alvéoles reliée à la terre.

Ne pas enlever la broche de liaison à la terre.

Ne pas utiliser un adaptateur.

Ne pas utiliser un câble de rallonge.

Le non-respect de ces instructions peut causer un décès, un incendie ou un choc électrique.

⚠ AVERTISSEMENT



Risque de choc électrique

Brancher sur une prise à 3 alvéoles reliée à la terre.

Ne pas enlever la broche de liaison à la terre.

Ne pas utiliser un adaptateur.

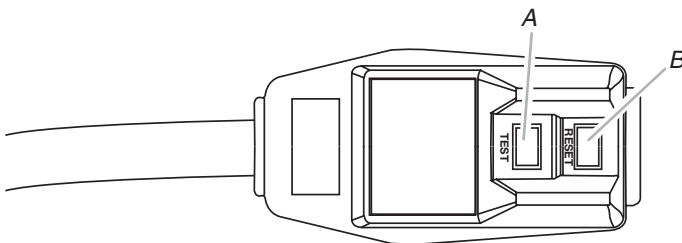
Ne pas utiliser un câble de rallonge.

Le non-respect de ces instructions peut causer un décès, un incendie ou un choc électrique.

- Le climatiseur portatif doit être raccordé à une prise à 3 alvéoles de 115 V, 60 Hz, 15 ou 20 ampères, protégée par fusible et reliée à la terre.
- On recommande l'emploi d'un disjoncteur ou fusible temporisé.
- Le câblage électrique doit respecter les codes local et national de l'électricité et être installé par un électricien qualifié. Contacter un électricien qualifié en cas de questions.

Cordon d'alimentation

REMARQUE : Votre appareil peut différer de celui qui est illustré.



A. Bouton Test

B. Bouton Reset (réinitialisation)

Ce climatiseur de pièce est équipé d'un cordon d'alimentation conforme aux exigences de UL. Ce cordon d'alimentation comporte des circuits électroniques d'avant-garde détectant les courants de fuite. En cas d'écrasement du cordon d'alimentation, les circuits électroniques détectent les courants de fuite et l'alimentation est interrompue en une fraction de seconde.

Pour tester le cordon d'alimentation :

1. Brancher le cordon d'alimentation dans une prise à 3 alvéoles reliée à la terre.
2. Appuyer sur RESET (réinitialisation).
3. Appuyer sur TEST (un déclic se fait entendre, le bouton Reset se déclenche et ressort).
4. Appuyer sur le bouton RESET et le relâcher (un déclic se fait entendre, le bouton Reset s'enclenche et reste enfoncé). Le cordon d'alimentation est prêt à être utilisé.

REMARQUES :

- Le bouton Reset (réinitialisation) doit être enfoncé pour une utilisation correcte.
- Le cordon d'alimentation doit être remplacé s'il ne se déclenche pas lorsqu'on appuie sur le bouton de test ou si l'appareil n'est pas réinitialisé.
- Ne pas utiliser le cordon d'alimentation comme interrupteur. Le cordon d'alimentation est conçu pour remplir les fonctions de dispositif de protection.
- Un cordon d'alimentation endommagé doit être remplacé par un nouveau cordon d'alimentation obtenu auprès du fabricant et ne doit pas être réparé.
- Le cordon d'alimentation ne comprend aucune pièce utilisable. Ouvrir le boîtier inviolable annule toute garantie et réclamation pour mauvaise performance.

INSTRUCTIONS D'INSTALLATION

Déballage du climatiseur

⚠ AVERTISSEMENT

Risque du poids excessif

Utiliser deux ou plus de personnes pour déplacer et installer le climatiseur.

Le non-respect de cette instruction peut causer une blessure au dos ou d'autre blessure.

Enlèvement des matériaux d'emballage

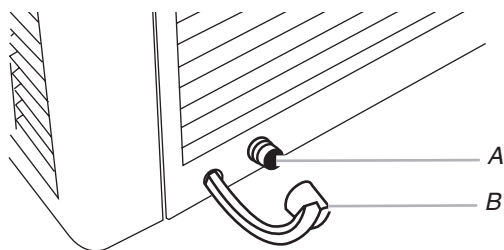
- Enlever et jeter de façon appropriée les matériaux d'emballage. Enlever tout résidu de ruban adhésif et de colle des surfaces avant de mettre le climatiseur en marche. Frotter une petite quantité de savon liquide à vaisselle sur l'adhésif avec les doigts. Rincer à l'eau tiède et sécher.
- Ne pas utiliser d'instruments coupants, d'alcool à friction, de liquides inflammables ou de nettoyants abrasifs pour enlever le ruban adhésif ou la colle. Ces produits peuvent endommager la surface de votre climatiseur.

Installation du climatiseur portatif

Installer le tuyau de vidange

1. Enlever le capuchon de vidange de l'orifice de vidange.

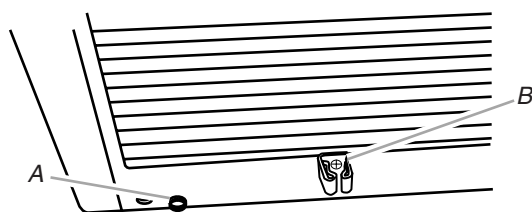
Capuchon de vidange



A. Orifice de vidange
B. Capuchon de vidange

2. Fixer une des extrémités du tuyau de vidange à l'orifice de vidange avec la bride de serrage. Voir l'illustration du tuyau de vidange.
3. Insérer la bonde de vidange dans l'autre extrémité du tuyau de vidange et l'immobiliser avec la bride de serrage. Voir l'illustration du tuyau de vidange.
4. Fixer le collier de serrage du tuyau de vidange au panneau arrière du climatiseur près de l'orifice de vidange avec la vis fournie.

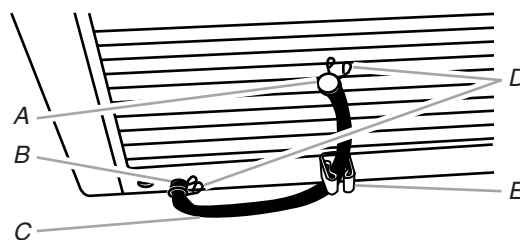
Collier de serrage du tuyau de vidange



A. Orifice de vidange
B. Fixer le collier de serrage du tuyau avec la vis fournie.

5. Emboîter l'extrémité libre du tuyau de vidange dans le collier de serrage.

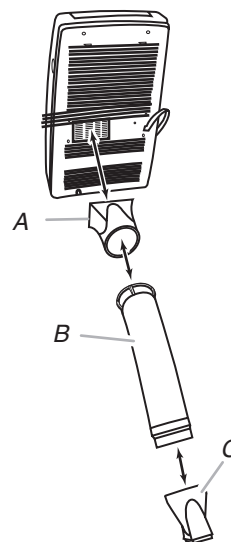
Tuyau de vidange



A. Bonde de vidange
B. Orifice de vidange
C. Tuyau de vidange
D. Brides de serrage
E. Collier de serrage

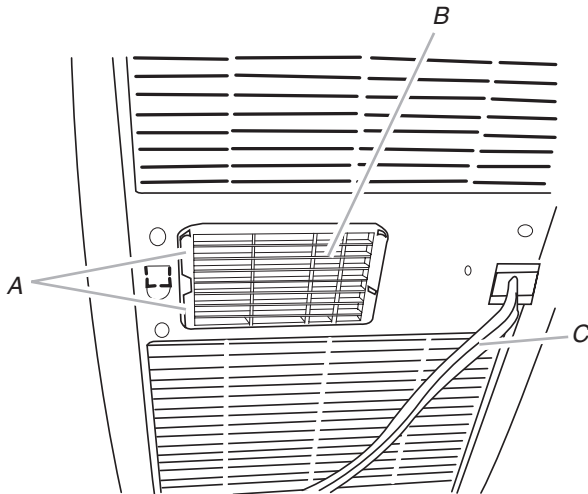
Installer le tuyau d'évacuation et l'adaptateur

1. Faire rouler le climatiseur jusqu'à l'emplacement choisi. Voir "Exigences d'emplacement".
2. Insérer une des extrémités du tuyau d'évacuation souple dans l'adaptateur pour évacuation de fenêtre.
3. Tourner dans le sens horaire pour mettre le tuyau en place.
4. Insérer l'autre extrémité du tuyau d'évacuation souple dans l'adaptateur pour évacuation de l'unité.
5. Tourner dans le sens horaire pour mettre le tuyau en place.



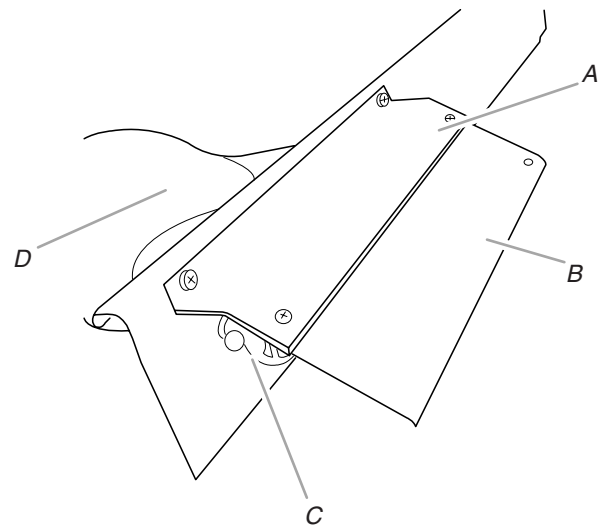
A. Adaptateur pour évacuation de l'unité
B. Tuyau d'évacuation souple
C. Adaptateur du tuyau d'évacuation de fenêtre

- Faire glisser l'adaptateur pour évacuation avec le tuyau d'évacuation souple fixé dans les fentes qui se trouvent de chaque côté du système d'évacuation de l'unité.



A. Fente de montage de l'adaptateur pour évacuation
 B. Système d'évacuation de l'unité
 C. Cordon d'alimentation

Ensemble de la housse de protection contre la pluie



A. Support de la housse
 B. Housse de protection contre la pluie
 C. Grille de la prise
 D. Adaptateur pour évacuation de fenêtre

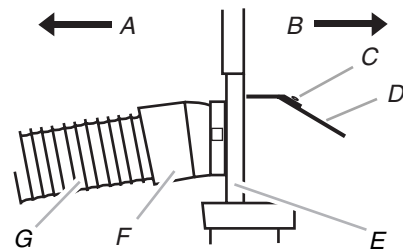
Installation pour fenêtre

Cet ensemble coulissant pour fenêtre a été conçu pour s'adapter à la plupart des fenêtres verticales et horizontales de type standard. Cependant, il peut être nécessaire de modifier certains aspects de la procédure d'installation selon le type de fenêtres utilisées.

- Insérer l'adaptateur pour évacuation de fenêtre dans l'ensemble coulissant pour fenêtre.
- Fixer la grille de la prise à l'adaptateur pour évacuation de fenêtre avec les 2 vis fournies.
- Fixer la housse de protection contre la pluie au support horizontal ou vertical de la housse (en fonction de l'installation) avec les vis et écrous fournis.
- Fixer le support de la housse à l'ensemble coulissant pour fenêtre avec les vis et écrous fournis.

REMARQUE : Les trous de l'ensemble coulissant pour fenêtre sont placés de manière à pouvoir fixer soit le support de housse pour fenêtre à coulissement vertical, soit le support de housse pour fenêtre à coulissement horizontal.

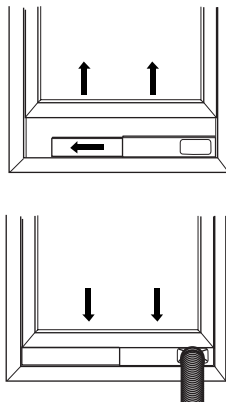
- Ouvrir la fenêtre.
- Placer l'ensemble coulissant pour fenêtre dans la fenêtre, en l'étriant pour l'adapter à la largeur de la fenêtre. Vérifier que le support de housse se trouve à l'extérieur de la fenêtre.



A. Au climatiseur
 B. Extérieur
 C. Vis fournie
 D. Support de la housse
 E. Ensemble coulissant de la fenêtre
 F. Adaptateur du tuyau d'évacuation de la fenêtre
 G. Tuyau d'évacuation souple

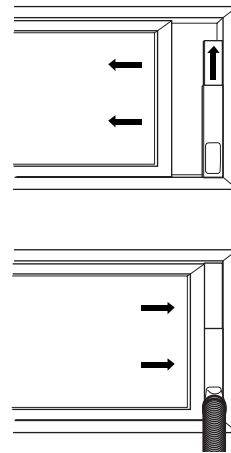
- Fermer la fenêtre sur l'ensemble coulissant pour le maintenir en place.

Fenêtre à coulissement vertical



Fenêtre à coulissement horizontal

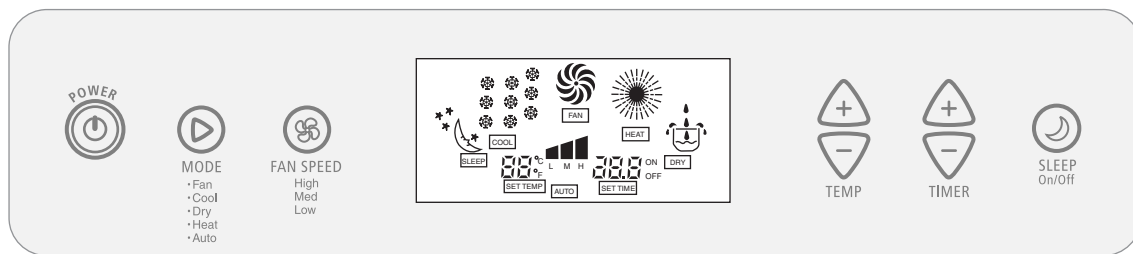
Pour une installation dans une fenêtre à battants, l'ensemble coulissant pour fenêtre peut être installé verticalement avec l'ouverture dans la partie inférieure.



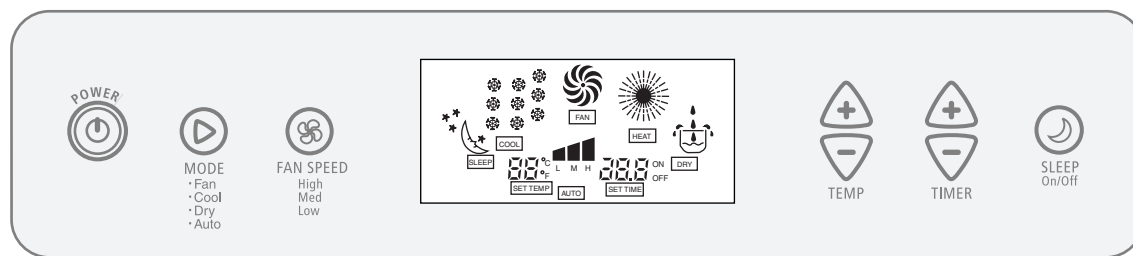
UTILISATION DU CLIMATISEUR PORTATIF

Mise en marche du climatiseur portable

Modèles avec chauffage



Modèles sans chauffage



REMARQUES :

- En cas de panne de courant, votre climatiseur fonctionnera aux réglages précédents lorsque le courant sera restauré.
- En cas de modification des modes en cours de fonctionnement du climatiseur, le ventilateur fonctionne pendant 3 à 5 minutes avant de redémarrer. Si on appuie sur un bouton au cours de cette période, le ventilateur fonctionnera encore pendant 3 à 5 minutes.
- En mode Cool ou Dry, le compresseur et le ventilateur s'arrêteront lorsque la température ambiante aura atteint la température réglée.

Mode

Appuyer sur MODE pour sélectionner Fan, Cool, Dry, Heat (modèles avec chauffage uniquement) ou Auto.



MODE

Mode Fan Only (ventilateur seulement)

Sert uniquement pour déplacer l'air. La vitesse du ventilateur est réglée par l'utilisateur.

1. Appuyer sur POWER pour mettre le climatiseur en marche.



2. Appuyer sur MODE pour sélectionner Fan.

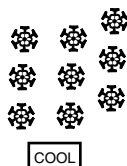


3. Sélectionner la vitesse du ventilateur. Voir "Vitesse du ventilateur".

Mode Cool (refroidissement)

Le mode Cool refroidit la pièce. La température et la vitesse du ventilateur sont réglées par l'utilisateur.

1. Appuyer sur POWER pour mettre le climatiseur en marche.
2. Appuyer sur MODE pour sélectionner Cool.



3. Sélectionner la vitesse du ventilateur. Voir "Vitesse du ventilateur".
4. Sélectionner la température. Voir "Température".
5. Lorsque "H8" s'affiche, le réservoir à eau de l'unité est plein. Le climatiseur s'éteint automatiquement. Voir "Entretien du climatiseur portatif" pour des instructions sur la vidange du climatiseur.



Mode Dry (séchage)

Le mode Dry sèche la pièce. Le ventilateur fonctionne à la vitesse Low (basse) seulement.

1. Appuyer sur POWER pour mettre le climatiseur en marche.
2. Appuyer sur MODE pour sélectionner Dry.



3. Lorsque "H8" s'affiche, le réservoir à eau de l'unité est plein. Le climatiseur s'éteint automatiquement. Voir "Entretien du climatiseur portatif" pour des instructions sur la vidange du climatiseur.

Mode Heat (chauffage) (modèles avec chauffage uniquement)

Le mode Heat chauffe la pièce. La température et la vitesse du ventilateur sont réglées par l'utilisateur.

1. Appuyer sur POWER pour mettre le climatiseur en marche.
2. Appuyer sur MODE pour sélectionner Heat.



3. Sélectionner la vitesse du ventilateur. Voir "Vitesse du ventilateur".
4. Sélectionner la température. Voir "Température".

Mode Auto (refroidissement seulement)

Le mode automatique abaisse la température de la pièce en faisant varier la vitesse du ventilateur et en mettant le compresseur en marche par intermittence.

REMARQUE : En mode automatique, la température et la vitesse du ventilateur ne peuvent pas être réglées.

1. Appuyer sur POWER pour mettre le climatiseur en marche.
2. Appuyer sur MODE pour sélectionner Auto.



Vitesse du ventilateur

1. Appuyer sur FAN pour sélectionner la vitesse du ventilateur.
2. Choisir High (élevée), Med ou Low (basse).
 - High—Débit d'air maximum
 - Med—Débit d'air intermédiaire
 - Low—Débit d'air minimum



Température

1. Appuyer sur la touche TEMP "+" pour augmenter la température de 1°.
2. Appuyer sur la touche TEMP "-" pour réduire la température de 1°.



REMARQUES :

- En mode Cool, la température peut être réglée entre 61°F (16°C) et 86°F (30°C).
- En mode Fan Only, la température ne peut pas être réglée.
- L'affichage de la température ne peut s'effectuer en Celsius (°C).

Mise en marche/arrêt différé

Pour régler la minuterie pour un délai de 1 à 24 heures jusqu'à ce que le climatiseur s'arrête (le climatiseur doit être en marche) :

1. Appuyer sur le bouton TIMER "+". L'afficheur présente le nombre d'heures restant avant l'arrêt du climatiseur.



2. Appuyer sur le bouton "+" ou "-" pour changer la durée de délai (1 à 24 heures).
3. Pour arrêter la minuterie, appuyer sur le bouton "+" ou "-" jusqu'à effacement du délai sur l'afficheur.

Pour régler la mise en marche différée du climatiseur en gardant les réglages précédents :

1. Arrêter le climatiseur.
2. Appuyer sur le bouton TIMER (minuterie) "+". L'afficheur présente le nombre d'heures restant avant la mise en marche du climatiseur.
3. Appuyer sur le bouton "+" ou "-" pour changer la durée de délai (1 à 24 heures).
4. Pour arrêter la minuterie, appuyer sur le bouton "+" ou "-" jusqu'à effacement du délai sur l'afficheur.

Pour régler la mise en marche différée du climatiseur en changeant les réglages précédents :

1. Mettre le climatiseur en marche.
2. Régler le mode sur Fan, Cool, Heat (modèles avec chauffage uniquement) ou Auto.

REMARQUE : En mode automatique, la température et la vitesse du ventilateur ne peuvent pas être réglées.

3. Ajuster la vitesse du ventilateur à High, Med, ou Low.
4. Ajuster la température entre 64°F (18°C) et 86°F (30°C).
5. Attendre 3 secondes avant d'éteindre le climatiseur.
6. Appuyer sur TIMER. L'afficheur présente le nombre d'heures restant avant la mise en marche du climatiseur.
7. Appuyer sur le bouton "+" ou "-" pour changer la durée de délai (1 à 24 heures).
8. Pour arrêter la minuterie, appuyer sur le bouton "+" ou "-" jusqu'à effacement du délai sur l'afficheur.

Pour effacer le programme de mise en marche/arrêt différé :

REMARQUE : Le climatiseur peut être soit en marche soit arrêté. Appuyer sur le bouton "+" ou "-" jusqu'à effacement du délai sur l'afficheur.

Pour voir ou modifier le temps qui reste (en heures) :

- La durée résiduelle s'affiche tant que la minuterie est activée.
- Pour augmenter ou diminuer la durée, appuyer sur le bouton "+" ou "-".

Mode Sleep (veille)

Lorsque le mode Sleep (veille) est activé, la température réglée augmente automatiquement par intervalles, jusqu'à ce que la minuterie désactive le mode Sleep (veille).

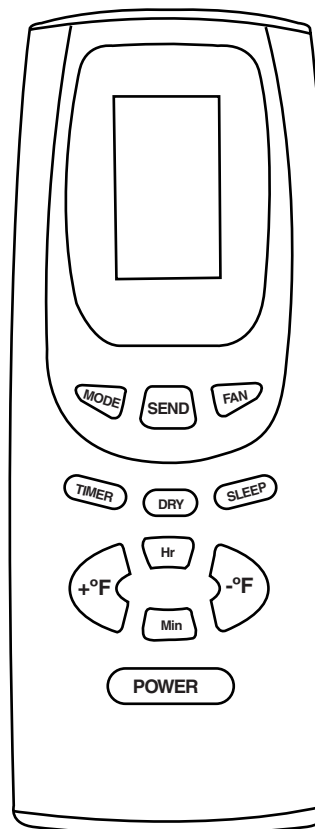
1. Appuyer sur POWER pour mettre le climatiseur en marche.
2. Appuyer sur MODE pour sélectionner Cool ou Heat (modèles avec chauffage uniquement).
3. Appuyer sur SLEEP.
4. Appuyer sur le bouton Timer "+" ou "-" pour changer la durée de délai (0,5 à 24 heures).



5. Pour arrêter le mode de veille, appuyer à nouveau sur SLEEP (veille).

Utilisation de la télécommande

REMARQUE : L'apparence de la télécommande peut varier.



REMARQUES :

- Deux piles AAA (incluses) alimentent la télécommande. Ne pas utiliser des piles rechargeables. Remplacer les piles après 6 mois d'usage ou lorsque le fonctionnement de la télécommande n'est plus satisfaisant.
- Pour faire fonctionner le climatiseur avec la télécommande, diriger la télécommande vers le récepteur de signal en vous plaçant à moins de 23 pi (7 m) de l'appareil.

Pour mettre en marche ou éteindre le climatiseur :

Appuyer sur POWER.

POWER

Pour sélectionner le mode

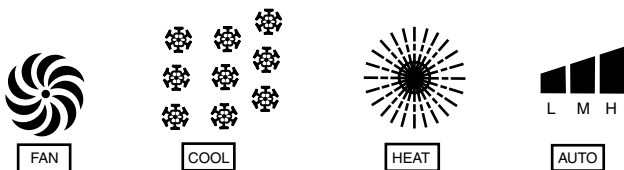
REMARQUE : Pour sélectionner le mode Dry, voir "Pour sélectionner le mode Dry" plus loin dans cette section.

1. Appuyer sur MODE pour sélectionner Fan, Cool, Heat (modèles avec chauffage uniquement) ou Auto.

MODE

Les symboles suivants s'afficheront.

- Ventilateur—Mode Fan (ventilateur)
- Flocon de neige—Mode Cool (refroidissement)
- Soleil—Mode Heat (chauffage) (modèles avec chauffage uniquement).
- Triangle—Mode Auto (automatique)



2. Appuyer sur SEND pour activer le mode.

SEND

3. Pour régler la température ou la vitesse du ventilateur, sélectionner -°F, +°F ou FAN.
4. Appuyer sur SEND.

Pour sélectionner le mode Dry

REMARQUE : Il n'est pas nécessaire d'appuyer sur le bouton Send pour activer le mode Dry.

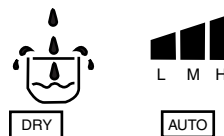
1. Appuyer sur POWER pour mettre le climatiseur en marche.
2. Appuyer sur DRY pour sélectionner le mode Dry.

DRY

Les symboles suivants s'afficheront.

- Gouttelette—Mode Dry (séchage)
- Triangle—Mode Auto

REMARQUE : En appuyant à nouveau sur DRY, le mode Auto est sélectionné.



Pour sélectionner la vitesse du ventilateur (en mode Fan, Cool ou Heat [modèles avec chauffage uniquement])

1. Appuyer sur FAN.
2. Choisir High (élevée), Med ou Low (basse).

FAN

3. Appuyer sur SEND pour activer la vitesse du ventilateur.

Pour régler la température

Pour augmenter la température :

Appuyer sur le bouton "+" pour augmenter la température de 1°.



Pour réduire la température :

Appuyer sur le bouton "-" pour réduire la température de 1°.



REMARQUE : Appuyer sur SEND pour activer le changement de température.

Pour régler l'heure

L'heure est affichée en permanence sur la télécommande.

1. Appuyer sur le bouton Hr jusqu'à ce que le nombre correct d'heures s'affiche.



2. Appuyer sur le bouton Min jusqu'à ce que le nombre correct de minutes s'affiche.



Pour régler la minuterie

Pour régler la mise en marche différée du climatiseur en gardant les réglages précédents :

1. Arrêter le climatiseur.
2. Appuyer sur TIMER (minuterie). L'afficheur de la télécommande présente le nombre d'heures restant avant la mise en marche du climatiseur.



3. Appuyer sur le bouton Hr pour changer la durée de délai (1 à 18 heures).
4. Appuyer sur SEND. L'afficheur de la télécommande présente le nombre d'heures restant avant la mise en marche du climatiseur.

Pour régler la mise en marche différée du climatiseur en changeant les réglages précédents :

1. Mettre le climatiseur en marche.
2. Régler le mode sur Fan, Cool, Dry, Heat (modèles avec chauffage uniquement) ou Auto.
3. Appuyer sur SEND.
4. Ajuster la vitesse du ventilateur à High, Med, ou Low.
5. Appuyer sur SEND.
6. Ajuster la température entre 64°F (18°C) et 86°F (30°C).
7. Appuyer sur SEND.
8. Attendre 3 secondes avant d'éteindre le climatiseur.

9. Appuyer sur TIMER. L'afficheur de la télécommande présente le nombre d'heures restant avant la mise en marche du climatiseur.
10. Appuyer sur le bouton Hr pour changer la durée de délai (1 à 18 heures).
11. Appuyer sur SEND. L'afficheur présente le nombre d'heures restant avant la mise en marche du climatiseur.

Pour effacer le programme de mise en marche/arrêt différé :

1. Appuyer sur TIMER (minuterie) jusqu'à ce que l'heure s'affiche.
2. Appuyer sur SEND.

Pour voir ou modifier le temps qui reste (en heures) :

- La durée de délai s'affiche tant que la minuterie est activée.
- Appuyer sur le bouton Hr pour modifier la durée.

Pour sélectionner le mode Sleep (veille)

Lorsque le mode Sleep (veille) est activé, la température réglée augmente automatiquement par intervalles, jusqu'à ce que la minuterie désactive le mode Sleep (veille).

1. Appuyer sur POWER pour mettre le climatiseur en marche.
2. Appuyer sur MODE pour sélectionner Cool ou Heat (modèles avec chauffage uniquement).
3. Appuyer sur SLEEP.



4. Appuyer sur le bouton Hr pour changer la durée de délai (1 à 7 heures).
5. Appuyer sur SEND.
6. Pour arrêter le mode de veille, appuyer à nouveau sur SLEEP (veille).

Sons normaux

Lorsque le climatiseur fonctionne normalement, on peut percevoir certains sons comme :

- Gouttelettes d'eau qui heurtent le condenseur, causant un cliquetis ou un cliquettement. Les gouttelettes d'eau contribuent au refroidissement du condenseur.
- Mouvement de l'air sous l'effet du ventilateur.
- Déclics émis par le thermostat.
- Vibrations ou bruits imputables à une construction médiocre du mur ou de la fenêtre.
- Bourdonnement à fréquence élevée ou pulsations à cause du compresseur moderne à haute efficacité qui se met en marche et s'arrête de façon intermittente.

ENTRETIEN DU CLIMATISEUR PORTATIF

Vidange du climatiseur

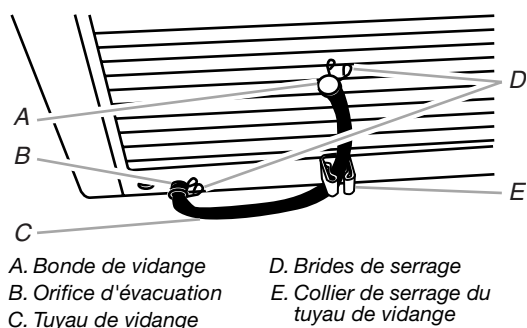
AVERTISSEMENT

Risque du poids excessif

Utiliser deux ou plus de personnes pour déplacer et installer le climatiseur.

Le non-respect de cette instruction peut causer une blessure au dos ou d'autre blessure.

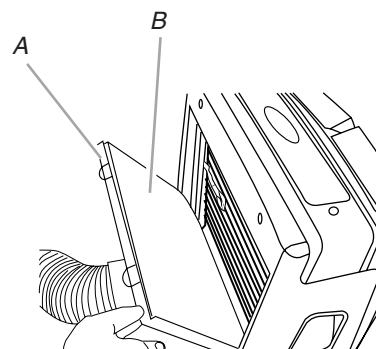
REMARQUE : Lorsque "H8" s'affiche, il faut vidanger le climatiseur. Le climatiseur ne fonctionnera pas tant que la vidange de l'unité n'aura pas été effectuée.



1. Appuyer sur POWER pour arrêter le climatiseur.
2. Débrancher le climatiseur ou déconnecter la source de courant électrique.
3. Débrancher le tuyau d'évacuation souple.
4. Déplacer le climatiseur sur le lieu de vidange ou à l'extérieur.
5. Dégager le tuyau de vidange du collier de serrage du tuyau.
REMARQUE : Si le tuyau de vidange n'a pas été installé, ôter le capuchon de vidange de l'orifice de vidange. Voir "Installation du climatiseur portable".
6. Ôter la bride et la bonde de vidange.
7. Après avoir vidangé le réservoir, réinstaller la bonde de vidange et la bride.
8. Emboîter de nouveau le tuyau de vidange dans le collier de serrage du tuyau.
9. Remettre en place le climatiseur.
10. Reconnecter le tuyau d'évacuation souple.
11. Brancher le climatiseur ou reconnecter la source de courant électrique.
12. Appuyer sur POWER pour mettre le climatiseur en marche.

Nettoyage du filtre à air

1. Appuyer sur POWER pour arrêter le climatiseur.
2. Ouvrir le panneau du filtre et soulever le filtre pour le retirer.



A. Panneau du filtre
B. Filtre

3. Nettoyer le filtre à l'aspirateur. Si le filtre est très sale, le laver avec de l'eau tiède et un détergent doux.

REMARQUE : Ne pas laver le filtre au lave-vaisselle ni utiliser de produit nettoyant chimique.

4. Faire sécher parfaitement le filtre avant de le réinstaller, afin d'assurer une efficacité maximale.
5. Réinstaller le filtre sur le panneau du filtre.
6. Fermer le panneau du filtre.

Nettoyage de la partie extérieure

1. Débrancher le climatiseur ou déconnecter la source de courant électrique.
2. Enlever le filtre pour le nettoyer séparément. Voir "Nettoyage du filtre à air".
3. Nettoyer la partie extérieure avec un chiffon doux humide.
4. Brancher le climatiseur ou reconnecter la source de courant électrique.
5. Appuyer sur POWER pour mettre le climatiseur en marche.

Remisage après utilisation

1. Retirer la bonde de vidange et évacuer l'eau complètement.
2. Faire fonctionner le climatiseur avec le ventilateur seulement pendant environ 12 heures pour sécher le climatiseur.
3. Débrancher le climatiseur.
4. Retirer le tuyau d'évacuation souple et le remisage avec le climatiseur en un endroit propre et sec. Voir "Instructions d'installation".
5. Retirer l'ensemble pour fenêtre et le remisage avec le climatiseur en un endroit propre et sec. Voir "Instructions d'installation".
6. Ôter le filtre et le nettoyer. Voir "Nettoyage du filtre à air".
7. Nettoyer la partie extérieure du climatiseur. Voir "Nettoyage de la partie extérieure".
8. Réinstaller le filtre.
9. Retirer les piles et remisage la télécommande avec le climatiseur en un endroit propre et sec.

DÉPANNAGE

Avant de faire un appel de service, essayez les suggestions ci-dessous pour déterminer si vous pouvez résoudre votre problème sans aide extérieure.

Le climatiseur ne fonctionne pas

⚠ AVERTISSEMENT



Risque de choc électrique

Brancher sur une prise à 3 alvéoles reliée à la terre.

Ne pas enlever la broche de liaison à la terre.

Ne pas utiliser un adaptateur.

Ne pas utiliser un câble de rallonge.

Le non-respect de ces instructions peut causer un décès, un incendie ou un choc électrique.

- **Le cordon d'alimentation est débranché.** Brancher sur une prise à 3 alvéoles reliée à la terre. Voir "Spécifications électriques".
- **Vous utilisez des fusibles temporisés ou un disjoncteur de capacité inappropriée.** Installer un fusible temporisé ou un disjoncteur de capacité correcte. Voir "Spécifications électriques".
- **Le cordon d'alimentation se déclenche (le bouton Reset s'éjecte).** Appuyer sur RESET et relâcher (un déclic est émis, le bouton Reset s'enclenche et reste enfoncé) pour reprendre le fonctionnement.
- **Un fusible est grillé ou un disjoncteur s'est déclenché.** Remplacer le fusible ou réarmer le disjoncteur. Voir "Spécifications électriques".
- **Le bouton d'alimentation Power n'a pas été enfoncé.** Appuyer sur POWER.
- **Il y a une panne d'électricité locale.** Attendre le rétablissement du courant.

Le climatiseur fait griller les fusibles ou déclenche les disjoncteurs

- **Trop d'appareils sont branchés sur le même circuit.** Débrancher ou déplacer les appareils qui se trouvent sur le même circuit.
- **Vous essayez de remettre le climatiseur en marche trop tôt après l'arrêt du climatiseur.** Attendre au moins 3 minutes après l'arrêt du climatiseur avant de tenter une nouvelle mise en marche.
- **Vous avez changé de mode.** Attendre au moins 3 minutes après l'arrêt du climatiseur avant de tenter une nouvelle mise en marche.

Le cordon d'alimentation du climatiseur se déclenche (le bouton Reset s'éjecte)

- **Des perturbations au niveau du courant électrique peuvent déclencher (le bouton Reset s'éjecte) le cordon d'alimentation.** Appuyer sur RESET et relâcher (un déclic est émis, le bouton Reset s'enclenche et reste enfoncé) pour reprendre le fonctionnement.
- **Une surcharge électrique, une surchauffe, un resserrement ou l'usure peuvent déclencher (le bouton Reset s'éjecte) le cordon d'alimentation.** Après avoir corrigé le problème, appuyer sur RESET et relâcher (un déclic est émis, le bouton Reset s'enclenche et reste enfoncé) pour reprendre le fonctionnement. Si le cordon d'alimentation ne permet pas la remise en marche, contacter un technicien.

REMARQUE : Un cordon d'alimentation endommagé ne doit pas être réparé mais remplacé par un neuf que l'on peut se procurer auprès du fabricant du produit.

Le climatiseur semble se mettre en marche trop fréquemment

- **Y a-t-il une porte ou une fenêtre ouverte?** Garder les portes et les fenêtres fermées.
- **Ce climatiseur remplace un modèle ancien.** Du fait de l'utilisation de composants plus efficaces, il est possible que le climatiseur fonctionne pendant de plus longues périodes que l'ancien modèle, mais la consommation totale d'énergie sera moindre. Les nouveaux climatiseurs ne projettent pas un puissant jet d'air froid comme les anciens modèles, mais ceci n'indique pas une réduction de la capacité de refroidissement ou de l'efficacité. Se référer à l'indice d'efficacité (EER) et l'indice de capacité (en Btu/h) indiqués sur le climatiseur.
- **Le climatiseur est installé dans une pièce chargée ou dans laquelle des appareils générateurs de chaleur sont installés.** Utiliser des ventilateurs d'évacuation d'air pendant les opérations de cuisson ou les bains, et essayer de ne pas utiliser d'appareil générateur de chaleur pendant les périodes les plus chaudes de la journée. Les climatiseurs portatifs sont conçus comme un dispositif supplémentaire de refroidissement de zones locales dans une même pièce. Il est peut être nécessaire de choisir un climatiseur de plus grande capacité, selon la taille de la pièce à refroidir.

Le climatiseur fonctionne pendant une courte durée seulement, mais la pièce n'est pas refroidie

- **La température réglée est trop proche de la température ambiante.** Réduire la température. Voir "Utilisation du climatiseur portatif".

Le climatiseur fonctionne, mais ne refroidit pas

- **Le filtre est sale ou obstrué par des débris.** Nettoyer le filtre.
- **La sortie d'air est bloquée.** Dégager la sortie d'air.
- **La température réglée est trop élevée.** Réduire la température réglée.

Le climatiseur s'allume et s'éteint trop fréquemment

- **La taille du climatiseur n'est pas appropriée à la pièce.** Vérifier la capacité de refroidissement de votre climatiseur portatif. Les climatiseurs portatifs sont conçus pour refroidir des zones locales dans une même pièce.
- **Le filtre est sale ou obstrué par des débris.** Nettoyer le filtre.

- **Il y a une quantité excessive de chaleur ou d'humidité (cuisson dans des récipients sans couvercle, douches, etc.) dans la pièce.** Utiliser un ventilateur pour évacuer la chaleur ou l'humidité de la pièce. Essayer de ne pas utiliser d'appareil générateur de chaleur pendant les périodes les plus chaudes de la journée.
- **Les persiennes sont obstruées.** Installer le climatiseur dans un endroit où les persiennes ne sont pas obstruées par des rideaux, stores, meubles, etc.
- **La température extérieure est inférieure à 64°F (18°C).** Ne pas essayer de faire fonctionner le climatiseur au mode de refroidissement lorsque la température extérieure est inférieure à 64°F (18°C).

ASSISTANCE OU SERVICE

Avant de faire un appel pour assistance ou service, consulter la section "Dépannage". Ce guide peut vous faire économiser le coût d'une visite de service. Si vous avez encore besoin d'aide, suivre les instructions ci-dessous.

Lors d'un appel, veuillez connaître la date d'achat, le numéro de modèle et le numéro de série au complet de l'appareil. Ces renseignements nous aideront à mieux répondre à votre demande.

Si vous avez besoin de pièces de rechange

Si vous avez besoin de commander des pièces de rechange, nous vous recommandons d'employer uniquement des pièces de rechange FSP®. Les pièces de rechange FSP® conviendront et fonctionneront bien parce qu'elles sont fabriquées avec la même précision utilisée dans la fabrication de chaque nouvel appareil WHIRLPOOL®.

Pour obtenir des pièces de rechange FSP® dans votre région, nous contacter ou appeler le Centre de service désigné de Whirlpool le plus proche.

Aux États-Unis

Téléphoner au Centre pour l'expérience de la clientèle de Whirlpool sans frais d'interurbain au : **1-800-253-1301** ou visitez notre site web à **www.whirlpool.com**.

Nos consultants sont prêts à vous aider pour les questions suivantes :

- Caractéristiques et spécifications sur toute notre gamme d'appareils électroménagers.
- Renseignements d'installation.
- Procédés d'utilisation et d'entretien.
- Vente de pièces de rechange et d'accessoires.
- Assistance spécialisée aux consommateurs (langue espagnole, malentendants, malvoyants, etc.).
- Références aux marchands locaux, distributeurs de pièces de rechange et compagnies de service. Les techniciens de service désignés par Whirlpool sont formés pour effectuer les

travaux de réparation sous garantie et le service après la garantie, partout aux États-Unis.

Pour localiser la compagnie de service désignée par Whirlpool dans votre région, vous pouvez aussi consulter les Pages jaunes de l'annuaire téléphonique.

Pour plus d'assistance

Si vous avez besoin de plus d'assistance, vous pouvez soumettre par écrit toute question ou préoccupation à Whirlpool Corporation à l'adresse suivante :

Whirlpool Brand Home Appliances
Customer eXperience Center
553 Benson Road
Benton Harbor, MI 49022-2692

Dans votre correspondance veuillez indiquer un numéro de téléphone où on peut vous joindre dans la journée.

Au Canada

Veuillez appeler sans frais le Centre d'interaction avec la clientèle de Whirlpool Canada LP au : **1-800-807-6777**

ou visitez notre site web à **www.whirlpool.ca**.

Nos consultants vous renseigneront sur les sujets suivants :

- Caractéristiques et spécifications sur toute notre gamme d'appareils électroménagers.
- Consignes d'utilisation et d'entretien.
- Ventes d'accessoires et pièces de rechange.
- Références aux marchands locaux, aux distributeurs de pièces de rechange et aux compagnies de service. Les techniciens de service désignés par Whirlpool Canada LP sont formés pour remplir la garantie des produits et fournir un service après la garantie, partout au Canada.

Pour plus d'assistance

Si vous avez besoin de plus d'assistance, vous pouvez soumettre par écrit toute question ou préoccupation à Whirlpool Canada LP à l'adresse suivante :

Centre d'interaction avec la clientèle
Whirlpool Canada LP
1901 Minnesota Court
Mississauga, Ontario L5N 3A7

Veuillez inclure dans votre correspondance un numéro de téléphone où on peut vous joindre dans la journée.

GARANTIE DES APPAREILS MÉNAGERS WHIRLPOOL CORPORATION

GARANTIE LIMITÉE DE UN AN

Pendant un an à compter de la date d'achat, lorsque ce produit est utilisé et entretenu conformément aux instructions jointes à ou fournies avec le produit, Whirlpool Corporation ou Whirlpool Canada LP (ci-après désignées "Whirlpool") paiera pour les pièces de rechange FSP et la main-d'œuvre pour corriger les vices de matériaux ou de fabrication ou remplacer le produit à sa discrétion. Le service doit être fourni par une compagnie de service désignée par Whirlpool. Cette garantie ne couvre pas le filtre à air.

GARANTIE LIMITÉE DE CINQ ANS SUR LE SYSTÈME SCÉLLÉ

Pendant cinq ans à compter de la date d'achat, lorsque ce produit est utilisé et entretenu conformément aux instructions jointes à ou fournies avec le produit, Whirlpool Corporation ou Whirlpool Canada LP (ci-après désignées "Whirlpool") paiera pour les pièces de rechange FSP et la main-d'œuvre pour corriger les vices de matériaux ou de fabrication sur le système de réfrigération scellé ou de fabrication ou remplacer le produit à sa discrétion. Les pièces comprennent : compresseur, évaporateur, condenseur, séchoir/grille et conduits de connexion. Le service doit être fourni par une compagnie de service désignée par Whirlpool.

WHIRLPOOL NE PRENDRA PAS EN CHARGE

1. Les visites de service pour rectifier l'installation de votre produit, pour vous montrer comment utiliser le produit, pour remplacer des fusibles de la maison, réenclencher les disjoncteurs, remplacer ou nettoyer les filtres ou rectifier le câblage électrique.
2. Les visites de service pour réparer ou remplacer des filtres à air. Ces pièces consommables ne sont pas couvertes par la garantie.
3. Les réparations lorsque le produit est utilisé à des fins autres que l'usage unifamilial normal.
4. Les dommages imputables à : accident, modification, usage impropre ou abusif, incendie, inondation, actes de Dieu, installation fautive ou installation non conforme aux codes d'électricité ou de plomberie, ou l'utilisation de produits non approuvés par Whirlpool.
5. Le coût des pièces de rechange et de la main-d'œuvre pour les appareils utilisés hors des États-Unis ou du Canada.
6. Le ramassage et la livraison. Ce produit est conçu pour être réparé à domicile.
7. Les réparations aux pièces ou systèmes résultant d'une modification non autorisée faite à l'appareil.
8. Les frais de transport pour le service d'un produit dans les régions éloignées.
9. La dépose et la réinstallation de votre appareil si celui-ci est installé dans un endroit inaccessible ou n'est pas installé conformément aux instructions d'installation fournies.

CLAUSE D'EXONÉRATION DE RESPONSABILITÉ AU TITRE DES GARANTIES IMPLICITES; LIMITATION DES RECOURS

LE SEUL ET EXCLUSIF RECOURS DU CLIENT DANS LE CADRE DE LA PRÉSENTE GARANTIE LIMITÉE CONSISTE EN LA RÉPARATION PRÉVUE CI-DESSUS. LES GARANTIES IMPLICITES, Y COMPRIS LES GARANTIES APPLICABLES DE QUALITÉ MARCHANDE ET D'APTITUDE À UN USAGE PARTICULIER, SONT LIMITÉES À UN AN OU À LA PLUS COURTE PÉRIODE AUTORISÉE PAR LA LOI. WHIRLPOOL N'ASSUME AUCUNE RESPONSABILITÉ POUR LES DOMMAGES FORTUITS OU INDIRECTS. CERTAINES JURIDICTIONS NE PERMETTENT PAS L'EXCLUSION OU LA LIMITATION DES DOMMAGES FORTUITS OU INDIRECTS, OU LES LIMITATIONS DE LA DURÉE DES GARANTIES IMPLICITES DE QUALITÉ MARCHANDE OU D'APTITUDE À UN USAGE PARTICULIER, DE SORTE QUE CES EXCLUSIONS OU LIMITATIONS PEUVENT NE PAS S'APPLIQUER DANS VOTRE CAS. CETTE GARANTIE VOUS CONFÈRE DES DROITS JURIDIQUES SPÉCIFIQUES ET VOUS POUVEZ ÉGALEMENT JOUIR D'AUTRES DROITS QUI PEUVENT VARIER D'UNE JURIDICTION À UNE AUTRE.

À l'extérieur du Canada et des 50 États des États-Unis, cette garantie ne s'applique pas. Contacter votre marchand Whirlpool autorisé pour déterminer si une autre garantie s'applique.

Si vous avez besoin de service, voir d'abord la section "Dépannage" du Guide d'utilisation et d'entretien. Après avoir vérifié la section "Dépannage", de l'aide supplémentaire peut être trouvée en vérifiant la section "Assistance ou service" ou en appelant Whirlpool. Aux É.-U., composer le **1-800-253-1301**. Au Canada, composer le **1-800-807-6777**. 9/05

Conservez ce manuel et votre reçu de vente ensemble pour référence ultérieure. Pour le service sous garantie, vous devez présenter un document prouvant la date d'achat ou d'installation.

Inscrivez les renseignements suivants au sujet de votre gros appareil pour mieux vous aider à obtenir assistance ou service en cas de besoin. Vous devrez connaître le numéro de modèle et le numéro de série au complet. Vous trouverez ces renseignements sur la plaque signalétique située sur le produit.

Nom du marchand _____

Adresse _____

Numéro de téléphone _____

Numéro de modèle _____

Numéro de série _____

Date d'achat _____

66126277/8215247

© 2005 Whirlpool Corporation.
All rights reserved.
Todos los derechos reservados.
Tous droits réservés.

® Registered Trademark/TM Trademark of Whirlpool, U.S.A.
® Marca registrada/TM Marca de comercio de Whirlpool, EE.UU.
® Marque déposée/TM Marque de commerce de Whirlpool, U.S.A.

12/05
Printed in U.S.A.
Impreso en EE.UU.
Imprimé aux É.-U.