

KitchenAid® Double Refrigerator Drawers

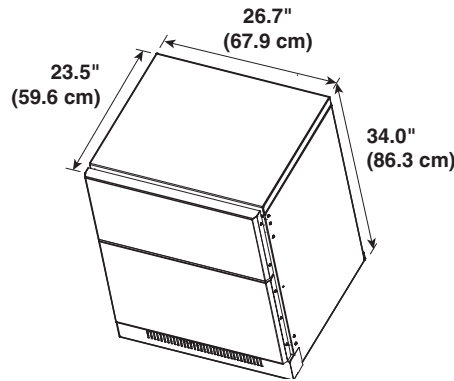
PRODUCT MODEL NUMBERS

KDDA27TR KDDC27TT
 KDDO27TR KDDO27TT

Electrical: 115 Volt, 60 Hz., AC only 15- or 20-amp fused, grounded electrical supply is required. It is recommended that a separate circuit serving only your refrigerator drawers be provided. Use an outlet that cannot be turned off by a switch. Do not use an extension cord.

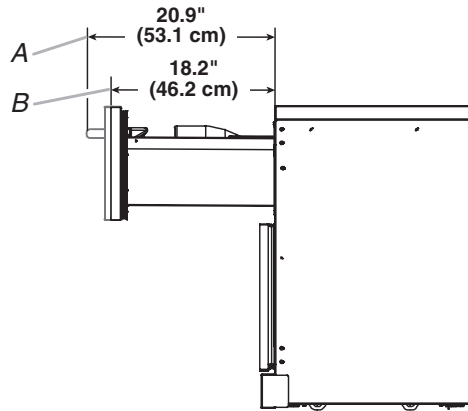
IMPORTANT: If this product is connected to a GFCI (Ground Fault Circuit Interrupter) protected outlet, nuisance tripping of the power supply may occur, resulting in loss of cooling.

OVERALL DIMENSIONS



- Height dimensions are shown with the leveling legs extended to the minimum height of ¼" (6.35 mm) below the refrigerator drawers.
- When leveling legs are fully extended to 1" (25 mm) below the refrigerator drawers, add ¾" (19.05 mm) to the height dimensions.
- The power cord is 60" (152.4 cm) long.

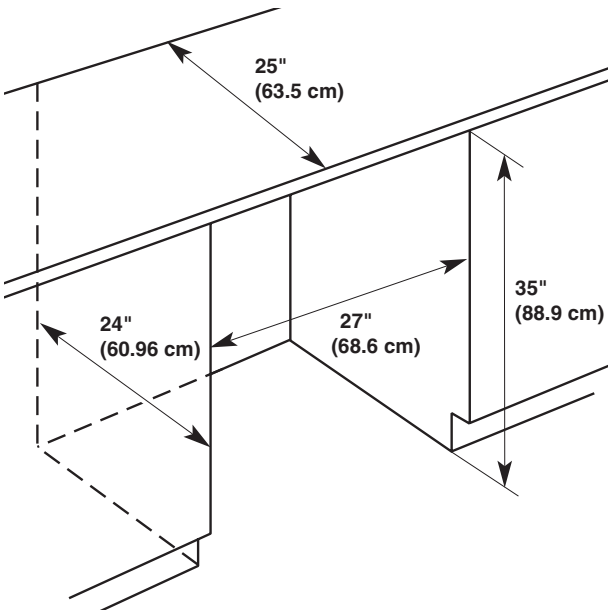
DRAWER OPENING DIMENSIONS



- A. Style 1: Standard
 B. Style 2: Overlay—Measurement does not include ¾" (19.05 mm) overlay panel or optional hardware

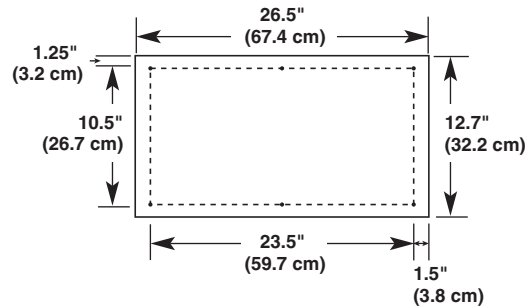
LOCATION REQUIREMENTS

- If the floor of the opening is not level with the kitchen floor, shim the opening to make it level.



CUSTOM OVERLAY DRAWER PANEL DIMENSIONS

Top overlay drawer panel



- The thickness of the overlay panels must be ¾" (19.05 mm).
- Each overlay panel must not weigh more than 10 lbs (4.5 kg).
- Do not exceed the height dimension for the overlay panels. The width of the overlay panels may vary according to the width of the cabinet opening.

Bottom overlay drawer panel

