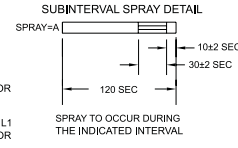
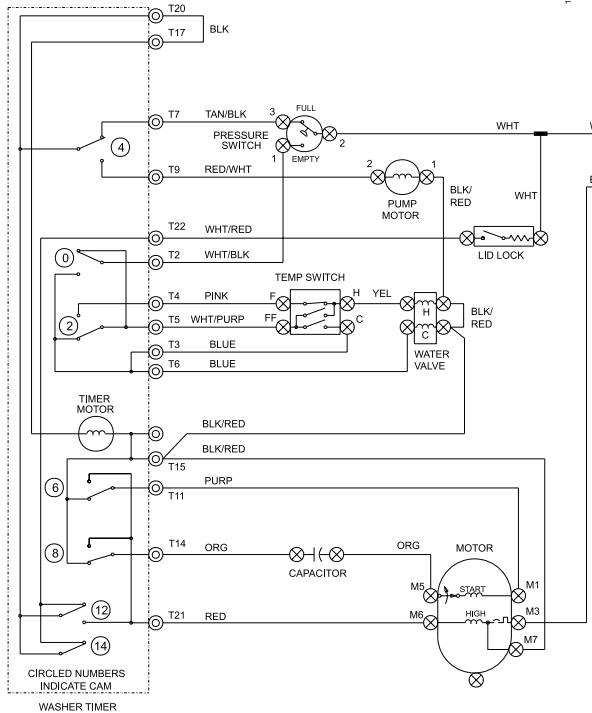


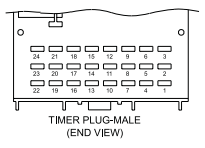
CAUTION: DISCONNECT ELECTRIC CURRENT BEFORE SERVICING

TERM. NO.	CIRCUIT	REGULAR				PERM. PRESS				DELICATE			
		WASH (16 MIN)	PUMP (8 MIN)	RINSE (4 MIN)	PUMP (10 MIN)	WASH (12 MIN)	PUMP (8 MIN)	RINSE (4 MIN)	PUMP (6 MIN)	WASH (8 MIN)	PUMP (8 MIN)	RINSE (4 MIN)	PUMP (6 MIN)
0 2	5 T												
	3 B												
2 5	4 T												
	3 B												
4 20	7 T												
	9 B												
6 11	21 T												
	12 B												
8 14	21 T												
	12 B												
10 17	21 T												
	21 B												
12 20	22 T												
	21 B												
14 20	22 T												
	21 B												



WIRING CODES

- ⊙ PLUG-IN TIMER
- ⊗ QUICK DISCONNECT TERMINAL
- CONNECTION
- + NO CONNECTION
- ⊕ MOTOR SWITCH
- SPLICE
- ⊔ MOTOR PROTECTOR
- ⊔ CHASSIS (CABINET) GROUND
- ⊔ SCREW TERMINAL
- ⊔ HARNESS CONNECTOR TERMINAL
- ⊔ INSULATED TERMINAL



TEMPERATURE SWITCH CIRCUIT

	F-H	FF-H	FF-C
WASH/RINSE	X	O	O
HOT/COLD	X	O	O
WARM/WARM (OPT)	O	X	X
COLD/COLD	O	O	X
WARM/COLD	X	O	X

0=OPEN X=CLOSED

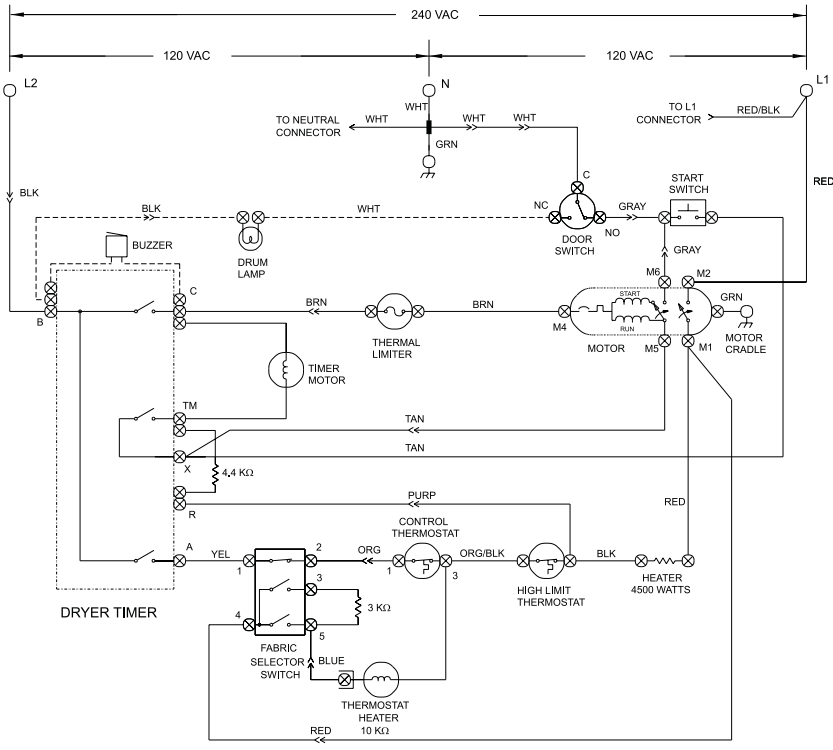
- NOTES:
- ALL WIRING MUST CONFORM TO LOCAL ELECTRICAL CODES.
 - CONNECT DRYER TO 30 AMP INDIVIDUAL BRANCH CIRCUIT.
 - DRYER TIMERS, SHOWN IN OFF POSITION DOOR SWITCH CLOSED, MOTOR AT REST, AN THERMOSTAT CLOSED, AND FABRIC SELECTOR SWITCH AT HIGH HEAT.
- WASHER TIMER SHOWN IN ON POSITION TEMPERATURE SELECTOR SWITCH AT HOT WASH/COLD RINSE, AND PRESSURE SWITCH FULL.

CYCLES

CIRCUIT	TIMED DRY (MIN)												
	AUTO DRY	31.7	15	0	105.3	90	75	60	45	30	15	0	OFF
TIMER	TM-X												
HEATER	B-A												
MOTOR	B-C												

NOTE: DASHED LINES INDICATE CIRCUITS THAT ARE NOT IN ALL MODELS.

THE BAR CHART ABOVE REPRESENTS ONE COMPLETE REVOLUTION OF TIMER SHAFT. SHADED PORTION OF BAR CHART INDICATES THE PROPORTIONAL TIMES THAT INTERNAL TIMER CONTACTS ARE CLOSED.



FABRIC SELECTOR SWITCH

POSITION	1-2	3-4	4-5
NO HEAT	O	O	O
LOW HEAT	X	O	X
MEDIUM HEAT	X	X	O
HIGH HEAT	X	O	O

X=CLOSED 0=OPEN