

# Room Air Conditioner Installation and Operation Manual

---

UNIT MODEL/	POWER SUPPLY	VOLTAGE VARIATION (VOLTS)		AMBIENT AIR ON CONDENSER	
		MIN.	MAX.	MIN. °F (°C)	MAX. °F (°C)
WAC060K7A	127-1-60	114.3	139.7	70(20.1)	115(46.1)
WAC061L7A	127-1-60	114.3	139.7	70(20.1)	115(46.1)
WAL100K1A	127-1-60	114.3	139.7	70(20.1)	115(46.1)
WAL126K2A	220-1-60	198	242	70(20.1)	115(46.1)
WAS180K2A	220-1-60	198	242	70(20.1)	115(46.1)
WAS250K2A	220-1-60	198	242	70(20.1)	115(46.1)

Record the Model No. and Serial No. of this appliance in the space provided below. The serial plate is located behind the front louvers, or (on some models) on the outside of the cabinet.

Model No. \_\_\_\_\_

Serial No. \_\_\_\_\_

Keep these numbers for future reference.

**IMPORTANT:** Keep a copy of your bill of sale. The date on the bill establishes the warranty period should service be required. If service is performed, it is in your best interest to obtain and keep all receipts.

## Contents

- 2 How and Why
- 2 Important Safety Instructions
- 2 Energy Saving Ideas
- 3 Installation
- 4 Using the Air Conditioner
- 5-6 Air Conditioner Features
- 7 Care and Cleaning
- 8 Before You Call for Service

Please contact your dealer/distributor for any questions or problems you may have pertaining to your new air conditioner.

## How and Why

Your room air conditioner provides the following functions to make hot weather living more comfortable:

- Cools and circulates room air.
- Lowers humidity by removing excess moisture.
- Filters out summertime dust, dirt, and some airborne impurities.

The air conditioner performs these functions by drawing room air through a filter which traps dust and dirt particles. The air then passes over a cooling coil which refrigerates the air and removes excess moisture. The same air is then returned to the room — cooler, drier and cleaner. Moisture removed from the room air is carried to the outside and evaporated.

Your air conditioner is designed to be easy to operate and to provide plenty of cooling power.

## Important Safety Instructions

### Technical Specifications

- **Indoor Fan Speeds** 3
- **Electrical Supply** V/Ph/Hz  
127/1/60  
220-240/1/60
- **Fuse Rating (MAX.)** 15 Amp  
(Over 18,000 Max is 20Amp)

**Actual cooling capacity might vary according to local environmental conditions.**

### Optional operating temperatures:

- **Indoor** 65° to 104°
- **Outdoor** 70° to 104°

This Use and Care Manual provides specific operating instructions for your model. Use the air conditioner only as instructed in this manual. These instructions are not meant to cover every possible condition and situation that may occur. Common sense and caution must be practiced when installing, operating, and maintaining any appliance.

### Read all instructions before using this air conditioner.

#### **⚠ WARNING For Your Safety**

Do not store or use gasoline or other flammable vapors and liquids in the vicinity of this or any other appliance. Read product labels for flammability and other warnings.

#### **⚠ WARNING Prevent Accidents**

To reduce risk of fire, electrical shock, or injury to persons when using your air conditioner, follow basic precautions, including the following:

- Be sure electrical service is adequate for model you have chosen. This information can be found on the serial plate, which is located either behind louvers or on left side of cabinet.
- If air conditioner is to be installed in window, you will probably want to clean both sides of glass first. If window is a triple-track type with screen panel included, remove screen completely before installation.
- Be sure air conditioner has been securely and correctly installed according to the separate installation instructions provided with this manual. Save this manual and installation instructions for possible future use in removing or reinstalling this unit.
- When handling the air conditioner, be careful to avoid cuts from sharp metal fins on front and rear coils.

#### **⚠ WARNING Electrical Information**

The complete electrical rating of your new room air conditioner is stated on the serial plate. Refer to the rating when checking the electrical requirements.

- Be sure air conditioner is properly grounded. To minimize shock and fire hazards, proper grounding is important. The power cord is equipped with a three-prong grounding plug for protection against shock hazards.
- Your air conditioner **must** be used in a properly grounded wall receptacle. If wall receptacle you intend to use is not adequately grounded or protected by a time delay fuse or circuit breaker, have a qualified electrician install proper receptacle.
- Do not run air conditioner with outside protective cover in place. This could result in mechanical damage within the air conditioner.
- **Do not use an extension cord or an adapter plug.**
- **In case of damage to power cord, it should be replaced by an authorized technician.**

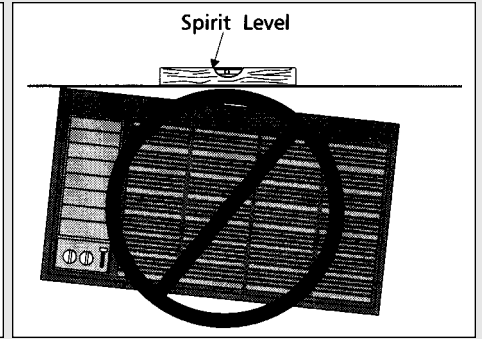
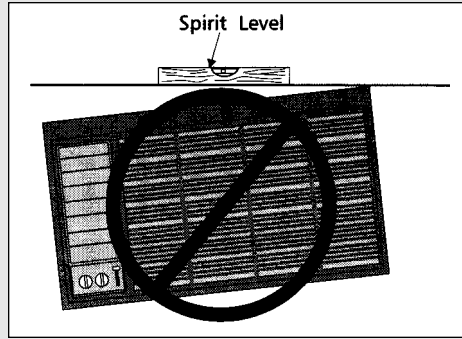
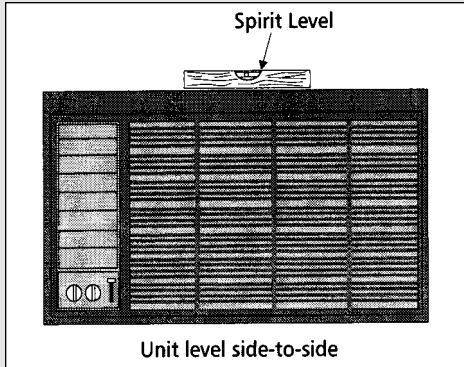
## Energy Saving Ideas



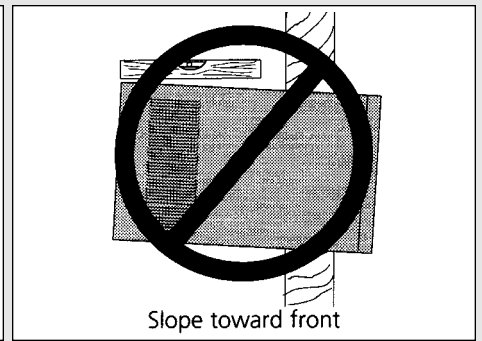
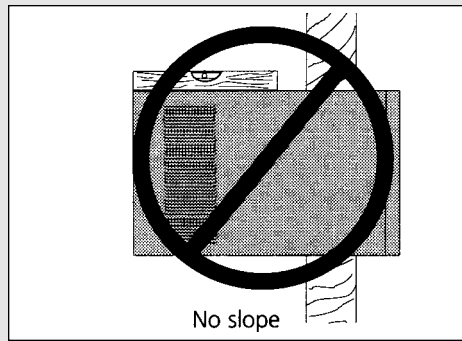
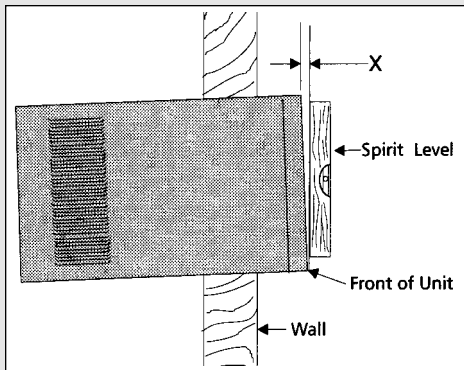
- **Do not block air flow inside with blinds, curtains or furniture; or outside with shrubs, enclosures, or other buildings.**
- Room air conditioner capacity must fit room size for efficient operation.
- Install room air conditioner on shady side of home. A window that faces north is best because it is shaded most of the day.
- Close fireplace damper, floor and wall registers so cool air does not escape.
- Keep blinds and drapes in other windows closed during sunniest part of day.
- Clean air filter as recommended in section "Care and Cleaning."
- Proper home insulation and weather stripping keeps warm air out and cool air in.
- Operate heat producing appliances such as ranges, washers, dryers and dishwashers during coolest part of the day.

# Installation

**⚠ WARNING** Warranty will be voided if installation instructions are not followed. Read entire "Installation" section before beginning installation.

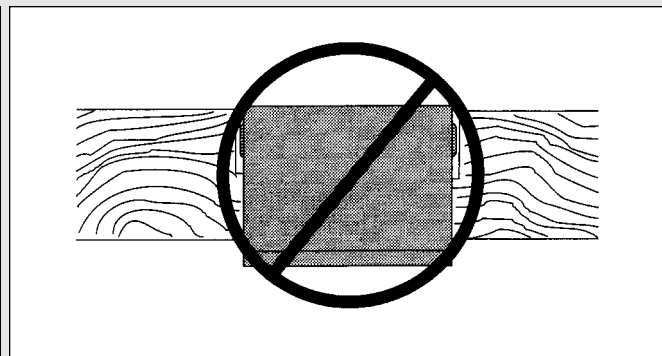
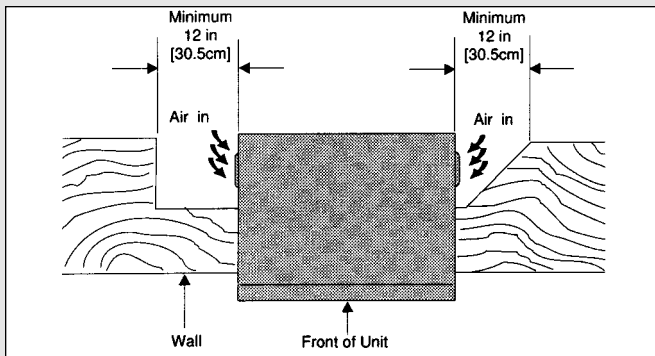


**Be sure unit is level from side-to-side for proper water drainage. This may be achieved by using shims.**

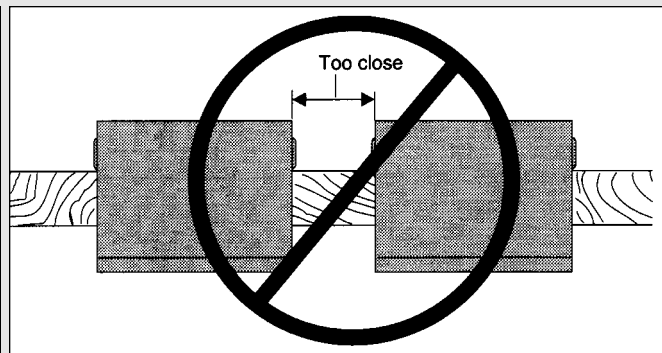
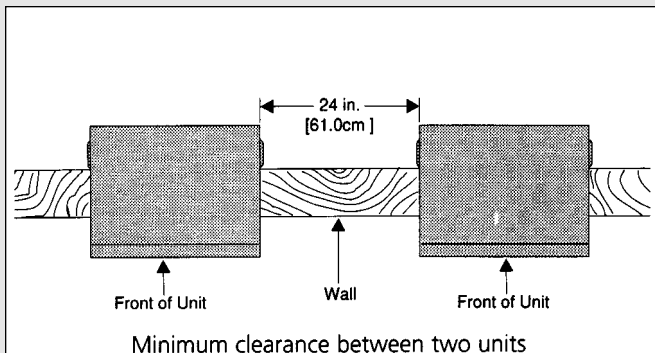


**Unit must slope downward from front to rear.**

**Models up to 24" deep: x = 1/4 inch (6.4 mm)  
Models over 24" deep: x = 3/8 inch (1.0 cm)**



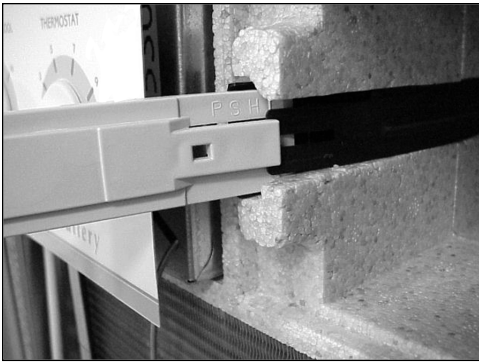
**Side louvers must not be obstructed. Air must be able to enter side louvers.**



**For Side by Side Installations provide adequate clearance (2 feet, 61.0 cm) between units.**

## Front Installation

Some models are shipped in a removable sleeve, please read the Instructions below before installing the Decorative front and accessories.



### Installing the Vent Control (on some models)

The vent control handle is included in the decorative front kit (Fig. 3). The handle must be installed before the decorative front is attached. See illustration below.

1. Insert the handle with the "etchings (Vent/Air)" facing to the left.
2. Slip the black door extension into the split at the end of the handle.
3. For ease of assembly, push the handle in while pressing the door extension against the foam until the two pieces lock together.
4. Move handle in and out to be sure vent is operating properly.



### Installing Dial Plate and Front Frame

Some models require installation of the dial plate and the front panel of the air conditioner included in a decorative kit. To assemble, follow these steps.

- Remove control knobs from front kit (some models).
- Carefully remove protective film from the front of the dial plate (some models).
- Line up holes on dial plate with the correct control stems and push dial plate to control panel surface.
- While holding dial plate in place install control knobs on protruding stems (Fig. 1).

### STEP 1: INSTALLING DIAL PLATE AND CONTROL KNOBS:

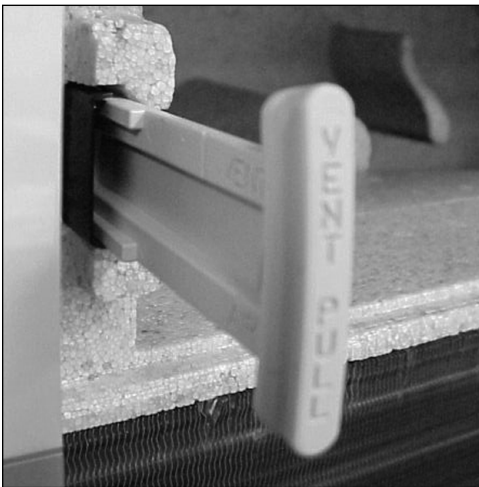


FIG. 1

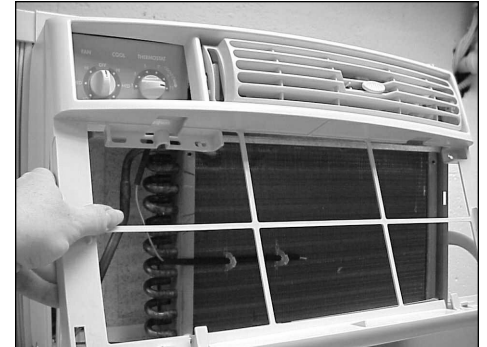


FIG. 2

### STEP 2: INSTALL DECORATIVE FRONT TO CABINET:

#### Decorative Front

- On some models, before installing the front frame, remove the tilt panel. Grasp the panel on both sides and gently pull to release.
- Position the top of the decorative front over the top flange of the case, and align the tabs with the slots in the case (Fig. 2).
- As you install the front frame to the unit be sure the vent handle is positioned through the front in the proper location.
- Carefully pull down on the front to engage the top tabs, while pushing the front over the case to ensure proper alignment.
- The side tabs will "click" when front is seated.
- Install front retaining screw(s) behind the filter handle or filter & panel (Figs. 3 & 4).
- On some models, then add filter & panel.

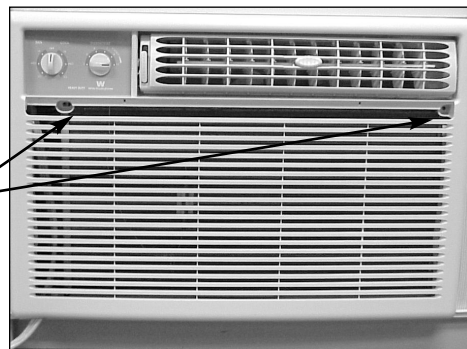


FIG. 3

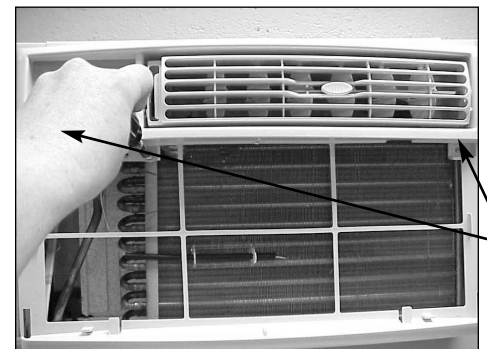


FIG. 4

Screws

Screws

## Using the Air Conditioner

**NOTE:** If air conditioner is turned off, wait 3 minutes before restarting. This allows pressure inside compressor to equalize. Failure to follow these instructions may cause inefficient operation.

**⚠ WARNING** To reduce the risk of fire, electric shock, or injury to persons, read the IMPORTANT SAFETY INSTRUCTIONS before operating this appliance.

### To begin operating the air conditioner, follow these steps:

1. Plug in air conditioning unit. (To prevent electrical hazards, do not use extension cord or adapter plug.)
2. Set exhaust vent to CLOSED position.
3. Set thermostat at highest number (coldest, or cooler setting).
4. Set Selector Control at highest cooling level (see below).
5. Adjust louvers for comfortable air flow.
6. Once room has cooled, adjust thermostat to setting you find most comfortable.

Review the "Air Conditioner Features" section for other settings.

## Air Conditioner Features



SELECTOR SWITCH

*The controls featured in this manual are representational of the many models available. Your model may offer slightly different features.*

### Selector Control/Cooling Units

The Selector Control turns unit on or off and allows a choice of either cooling room air (COOL) or circulating room air at the existing temperature (FAN). The HI, LOW, and on some models, MED settings determine the speed of air circulation.

**FAN** — selection provides various levels of air circulation without cooling.

**HIGH COOL** — provides maximum cooling and is recommended for cooling the room quickly.

**MED COOL** — (some models) — fan runs slower, for moderate cooling needs.

**LOW COOL** — fan runs slowly to maintain a comfortable cooling level.

### Fan Only Operation (Ventilating)

Turn the selector-switch knob to one of the following positions:

**HIGH FAN** — Maximum air circulation without cooling.

**MED FAN** — Moderate air circulation without cooling.

**LOW FAN** — Slow air circulation without cooling.

### Selecting the Temperature

 The desired temperature is selected by turning the temperature control knob.

If temperature in room is higher than desired, turn knob clockwise to a new position. If the temperature is lower than desired, turn knob counterclockwise to a new position.

## Air Conditioner Features (continued)

### Automatic Thermostat (some models)

When a COOL or HEAT (some models) setting is selected, the thermostat controls the amount of cooling or heating by automatically turning the cooling compressor or heater on and off in response to the room temperature.



AUTOMATIC THERMOSTAT

Set the thermostat at the highest number for the coldest setting for cooling, and the lowest number for warmer settings in the HEAT mode. Once the room has reached the desired temperature, adjust the thermostat to a number providing the most comfortable amount of cooling or heating. Higher numbers provide lower room temperatures. Lower numbers provide warmer room temperatures.

### Night Time Cooling

When outside temperatures drop below 70°F (21°C) and the unit is cooling, frost may form on the coils and block airflow into the room. If this occurs, operate the air conditioner on the FAN setting (or CONSTANT FAN/HIGH on Energy Saver models) to defrost the coil.

If cooling while the outside temperature is low, set the thermostat to the middle position. Make sure the louvers are open. This will help prevent frost build-up.



Figure 1 (OFF)



Figure 2 (FRESH AIR)

### Fresh Air Vent Control

The Fresh Air Vent allows the air conditioner to recirculate inside air (OFF), draw air into the room (FRESH AIR) or exhaust stale air to the outside (VENT). See Figures 1, 2 & 3 for this operation.

- The "OFF" position is used when **MAXIMUM** cooling is desired. It may also be for room air re-circulation without cooling when the selector switch is set to the FAN position, this will also filter the room air.
- The FRESH AIR position allows outside air to be drawn into the room to refresh the inside room air.
- The VENT position removes stale air from the room and exhausts it to the outside.
- Any vent position can be used with any fan selection.

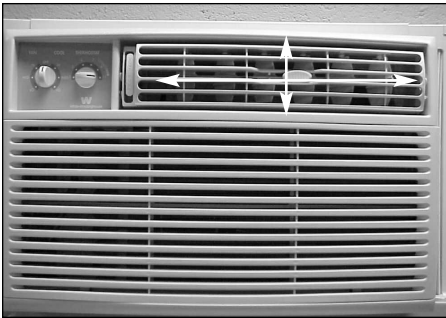


Figure 3 (VENT)

## Air Conditioner Features (continued)

### Air Directional Louvers

Air directional louvers control air flow direction. Your air conditioner has one of the louver types described below.



(4-WAY)

### 4-Way Louvers

The 4-Way air directional louvers allow you to direct air flow up or down, left or right throughout the room as needed. To adjust the air directional louvers side-to-side, use the center handle as you move it side-to-side.

## Care and Cleaning

Clean your air conditioner occasionally to keep it looking new. **Be sure to unplug the unit before cleaning to prevent shock or fire hazards.**



### Air Filter Cleaning

The air filter should be checked at least once a month to see if cleaning is necessary. Trapped particles in the filter can build up and cause an accumulation of frost on the cooling coils.

- Push the vent handle to the OFF position.
- Tilt the Horizontal Louvers in the UP position, before pulling the filter out.
- Grasp the filter by the center and pull up and out.
- On some models, first tilt the panel out by grasping the panel from both sides just below the air directional louvers and gently pull to release. Gently pivot the panel on its hinge, and remove the filter.
- Wash the filter using liquid dishwashing detergent and warm water. Rinse filter thoroughly. Gently shake excess water from the filter. Be sure filter is thoroughly dry before replacing.
- Or, instead of washing you may vacuum the filter clean.



### Cabinet Cleaning

- Be sure to unplug the air conditioner to prevent shock or fire hazard. The cabinet and front may be dusted with an oil-free cloth or washed with a cloth dampened in a solution of warm water and mild liquid dishwashing detergent. Rinse thoroughly and wipe dry.
- Never use harsh cleaners, wax or polish on the cabinet front.
- Be sure to wring excess water from the cloth before wiping around the controls. Excess water in or around the controls may cause damage to the air conditioner.
- The cabinet front can be removed for more thorough cleaning. Refer to "Front Installation" in this manual.
- Clean the front in a sink using liquid dishwashing detergent and warm water. Rinse thoroughly and dry.
- Replace cabinet front. Replace the screws.
- Replace front panel (if applicable) and filter. Plug in air conditioner.

### Winter Storage

If you plan to store the air conditioner during the winter, remove it carefully from the window according to the installation instructions. Cover it with plastic or return it to the original carton.

**NOTE: To prevent rust or electrical connections from being damaged, store air conditioner in an upright position and a dry place.**

## Avoid Service Checklist

Before calling for service, review this list. It may save you time and expense. This list includes common occurrences that are not the result of defective workmanship or materials in this appliance.

<b>OCCURRENCE</b>	<b>SOLUTION</b>
<b>Air conditioner will not operate.</b>	Wall plug disconnected. Push plug firmly into wall outlet. House fuse blown or circuit breaker tripped. Replace fuse with time delay type or reset circuit breaker. Selector Control in OFF position. Turn selector to ON (some models) or the desired FAN or COOL setting. Unit turned off by moving thermostat to a higher number and then immediately turning back to a colder number. Wait approximately 3 minutes. Listen for compressor to start. Unit turned off and then on too quickly. Turn unit off and wait 3 minutes before restarting. Thermostat set too low. Adjust thermostat to higher number for cooling.
<b>Air from unit does not feel cold enough.</b>	Turn selector to a higher FAN or COOL position Thermostat set too warm. Set thermostat to colder temperature. Room temperature below 70°F (21°C). Cooling may not occur until room temperature rises above 70°F (21°C). Temperature sensing tube touching cold coil, located behind air filter. Straighten tube away from coil.
<b>Air conditioner cooling, but room is too warm — ice forming on cooling coil behind decorative front.</b>	Outdoor temperature below 70°F (21°C). To defrost the coil, set selector to FAN position. Then, set thermostat to warmer position. Air filter may be dirty. Clean filter. Refer to Care and Cleaning section. To defrost, set selector to FAN. Thermostat set too cold for night-time cooling. To defrost the coil, set selector to a FAN position. Then, set thermostat to a warmer position.
<b>Air conditioner cooling, but room is too warm — NO ice forming on cooling coil behind decorative front.</b>	Dirty air filter — air restricted. Clean air filter. Refer to Care and Cleaning section. Thermostat set too warm. Turn thermostat clockwise to a colder setting. Thermostat set on low number. Turn thermostat to higher number. Vent set at OPEN position. Set vent at CLOSED position for maximum cooling. Air directional louvres positioned improperly. Position louvres for better air distribution. Front of unit is blocked by drapes, blinds, furniture, etc. — restricts air distribution. Clear blockage in front of unit. Doors, windows, registers, etc. open — cold air escapes. Close doors, windows, registers, etc. Unit recently turned on in hot room. Allow additional time to remove “stored heat” from walls, ceiling, floor and furniture.
<b>Air conditioner turns on and off rapidly.</b>	Dirty air filter — air restricted. Clean air filter. Outside temperature extremely hot. Set FAN on high speed to bring air past cooling coils more frequently.
<b>Noise when unit is cooling.</b>	Air movement sound. This is normal. If too loud, turn selector to lower FAN setting. Sound of fan hitting water-moisture removal system. This is normal when humidity is high. Close doors, windows and registers. Window vibration — poor installation. Refer to installation instructions or check with installer.
<b>Water dripping INSIDE when unit is cooling.</b>	Improper installation. Tilt air conditioner slightly to the outside to allow water drainage. Refer to installation instructions — check with installer.
<b>Water dripping OUTSIDE when unit is cooling.</b>	Unit removing large quantity of moisture from humid room. This is normal during excessively humid days.