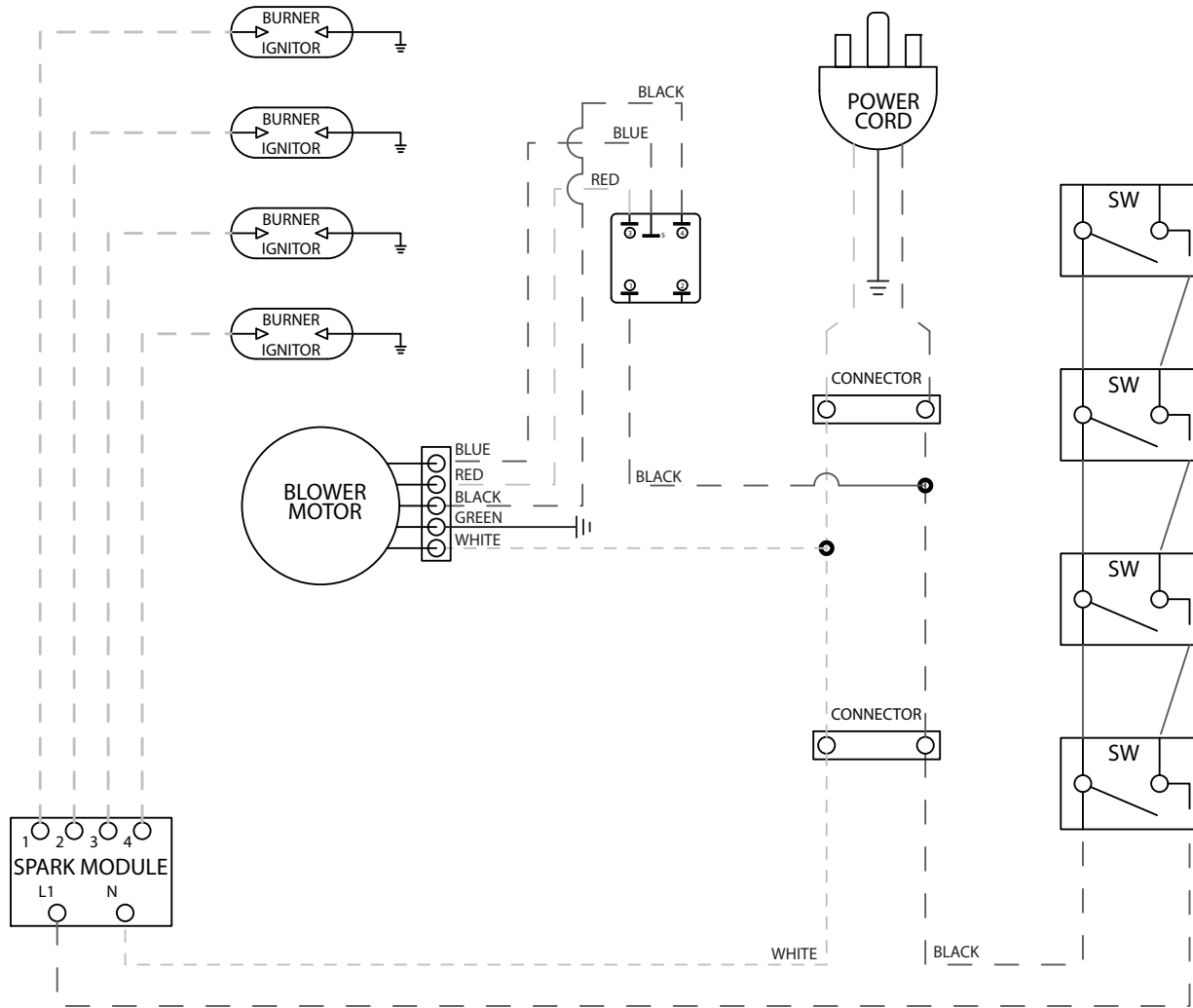


# WIRING DIAGRAM

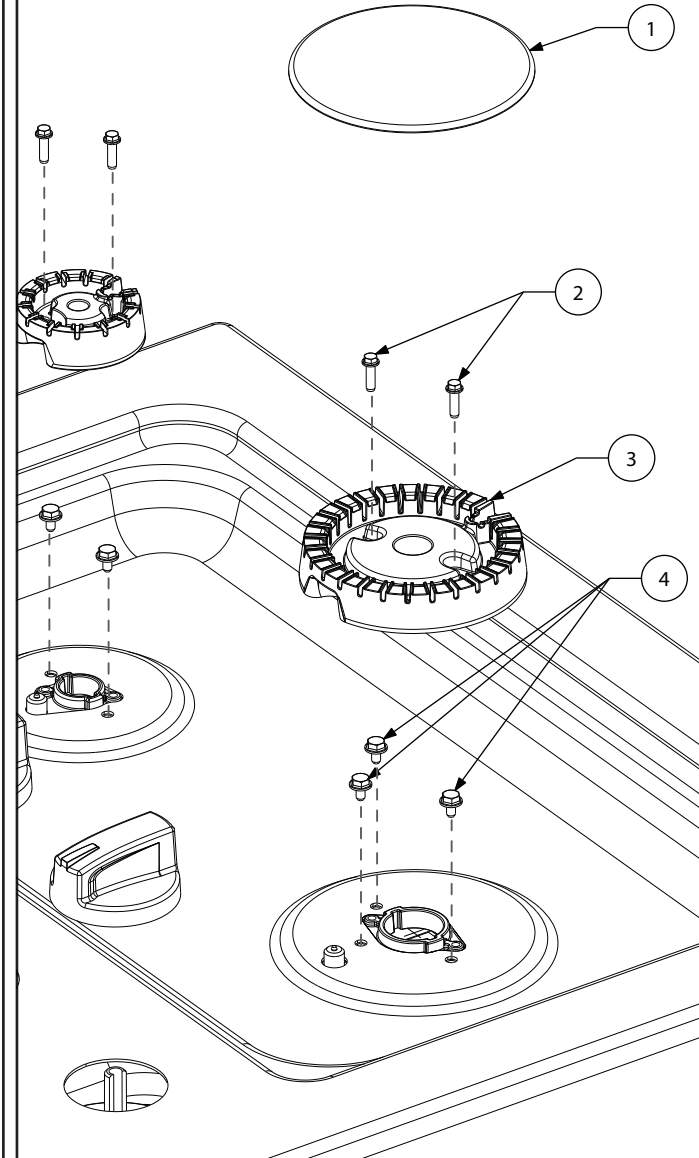
30" AND 36" 4-BURNER  
GAS DOWNDRAFT COOKTOP



# INTERIOR ACCESS

**TO ACCESS THE INTERIOR OF THE GAS COOKTOP BY REMOVING THE STAINLESS TOP, FIRST REMOVE THESE PARTS:**

- 1 - Burner Caps
- 2 - Burner Screws
- 3 - Burner Heads
- 4 - Base Screws



723-0402-000  
REVISION A